



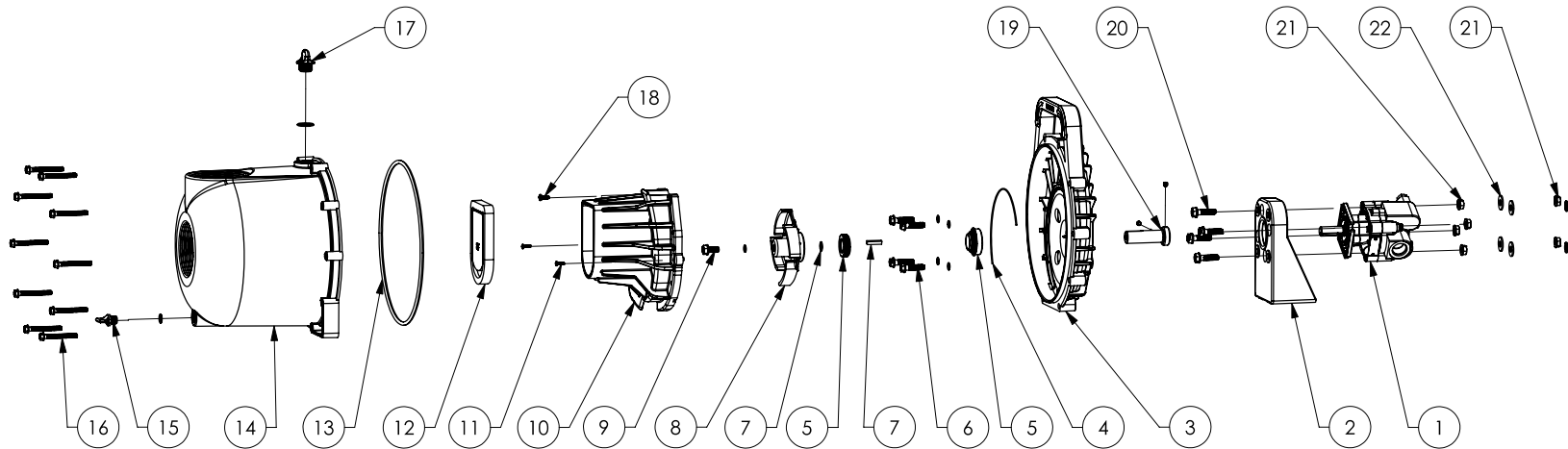
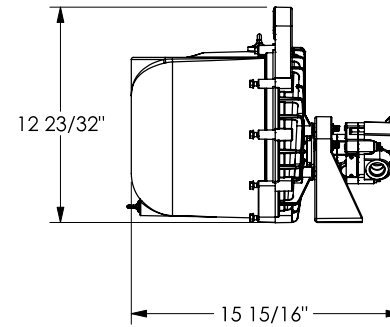
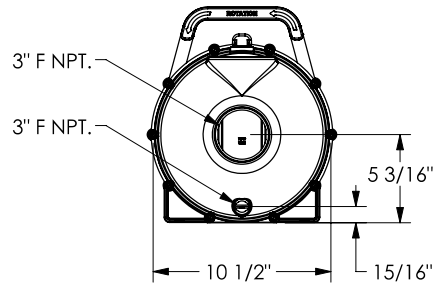
4/15/2020

3" Self-Priming Centrifugal Pump

Model: SE3LL-HYC

Price Code: P-58-13L4-HYC

Driver: Hydraulic Motor





3" Self-Priming Centrifugal Pump

Model: SE3LL-HYC

Price Code: P-58-13L4-HYC

Driver: Hydraulic Motor

NO.	DESCRIPTION	QTY	PART NO.
1	Hydraulic Motor	1	58-0686
2	Motor Pedestal PPE	1	58-1011-20
3	Bracket PET	1	58-0703-30B
4	O-Ring Segment EPDM	1	58-0754-72
5	Shaft Seal EPDM, SS 316, carbon/ceramic 3/4"	1	58-0714-12
6	Bracket Screw and O-Ring SS EPDM 5/16-18x1.5	4	58-2167-12
7	Key & Shim SS 3/16" Square x 15/16" Long	1	58-0778-S
8	Impeller PET 4 Vane, .975" Wide, ø4.75"	1	58-0975-30
9	Impeller Screw and O-Ring SS EPDM 5/16-24x3/4"	1	58-0716-12
10	Volute Flat PET	1	58-0977-30
11	Volute Side Screw SS 6-CCx1/2"	2	58-0725-10
12	Check Valve EPDM	1	58-0705-72
13	Body O-Ring EPDM	1	58-0719-72
14	Body PET, Black 3" F NPT.	1	58-0755-30B
15	Drain Plug and O-Ring PET EPDM	1	58-0723-32
16	Body Bolt SS 18-8 1/4-20x2.125"	10	58-1206-10
17	Filler Plug and O-Ring PET EPDM	1	58-0722-32B
18	Volute Top Screw SS 10-24x1-1/2"	1	58-0997-10
19	Shaft Adapter and Set Screws SS ø .75x2.7, ø .563 Bore	1	58-1165-10A
20	Mounting Screw SS 5/16-18x1.0	4	58-0729-10
21	Hex Nut SS 5/16-18	4	58-0745-10
22	Washer SS 5/16	4	58-0730-10