

BALDOR® • RELIANCE 

Product Information Order

36-0000-0452

5HP,3450RPM,3PH,60HZ,184CZ,TEFC,F1

Sales Order #:	1208711876-10
Customer Name:	PACER PUMPS

PRELIMINARY DATA

P-58-0814-C

ABB Motors and Mechanical Inc. DATA TRANSMITTAL AND CERTIFICATION

Sales Order Number 1208711876-10	Customer Number 231154	Customer Order Number 42936-00 (6 OF 6)	P.O. Date 12/22/2020
<p>Sold To: PACER PUMPS 41 INDUSTRIAL CIRCLE LANCASTER, PA 17801 United States</p>			
<p>DATA PROVIDED WITH THIS TRANSMITTAL AND CERTIFICATIONS IS: <input checked="" type="checkbox"/> PRELIMINARY, DATA FOR CUSTOMER APPROVAL: The associated documents requested on this order are submitted for approval. Please reply promptly or the order could be delayed. <input type="checkbox"/> FINAL, APPROVED FOR CONSTRUCTION OR INSTALLATION.</p>			

Ship To:
PACER PUMPS
41 INDUSTRIAL CIRCLE
LANCASTER, PA 17801
United States

Data Source: ISSUED BY: Peggy Jeffcoat
Baldor-Reliance Fort Smith
12/29/2020

Application Centrifugal Pump	Quantity 1,000	Frame 184CZ	Motor / Gen. D.S.:
Elec Type 5 HP	HP 5 HP	Electrical Design	Motor / Gen. C.D.:
RPM 3600	Enclosure TEFC	Time CONT	Conduit Box:
Rotation Bi-directional	DC Field Excitation	Pwr Cd	Motor Part #
Insulation F	Mtg Drive F-1	Bearing Ball / Ball	Line Voltage PHHZV
Type	Torque	Insulation	FL Amps

Additional Specifications:

BASIC CONFIGURATION
 Partial Motor Design No
 Frame Band 36
 Customer Application Centrifugal Pump
 Temp Code None
ELECTRICAL
 Ambient Minimum -25C
 208 Volt Nameplate Rating Usable at 208 Volt
 Starting Method Standard Start
MOUNTING
 Mounting Flange - DE C-Face
 Mounting Flange C-Face Type Standard
 Mounting Position F-1
 Frame Mounting Foot (Dual Mounting Hole)
 Lead Exit - Frame Side - Center
 Drive Method Direct
 Mounting Orientation Horizontal
 Shaft - Special Material 316 Stainless



ABB Motors and Mechanical Inc. DATA TRANSMITTAL AND CERTIFICATION

Sales Order Number 1208711876-10	Customer Number 231154	Customer Order Number 42936-00 (6 OF 6)	P.O. Date 12/22/2020
--	----------------------------------	---	--------------------------------

Shaft - Drill Hole End Drive End
 Drill & Tap hole DE Shaft 5/16-24 UNF -2B X.88 DEEP
 Shaft - Special Extension Yes
 Shaft Extension TZ - SPECIAL
 Shaft Drawing OL132488

BEARINGS
 Bearing Enhancement DE Sealed
 Bearing Enhancement ODE Sealed
 Drive End Seal Slinger
 Opposite Drive End Seal Slinger
 Lube Type Grease
 Grease Type Exxon Polyrex EM

MECHANICAL
 Balance Standard (0.15 in/sec)
 Rotation Facing ODE Bi-directional
 Stainless Steel Hardware Yes
 Stainless Steel Hardware Type 300 Series Stainless
 Fan Material Standard
 Paint System Standard (C2)
 Paint Color Specification Standard Lacquer
 Paint Color Charcoal Gray Metallic
 Baldor-Reliance Paint Spec No 004824-007BXA / MG1000G27

MONITORING DEVICES
 Thermal Protection None

CONDUIT BOX
 Main Conduit Box Required
 Main Conduit Box Location Standard (side)
 Main Conduit Box Material Aluminum
 Main Conduit Box Size Standard Oversize
 Cbox Entry Hole No
 Lead Entry NPT Yes
 Lead Entry NPT Qty 1
 Lead Entry NPT Size (3/4 - 14 NPT)
 Lead Entry Location Toward Feet - Down
 Conduit Box Lead Entry Plugged Yes
 Ground Servit Post No

NAMEPLATE / LABELS
 Nameplate Language English
 Customer Part Number Marks Yes
 Customer Part Number P-58-0814-C
 Additional heater Markings No
 Label "Heater Energized" No
 Label CSA Yes
 Label UR Yes



ABB Motors and Mechanical Inc. DATA TRANSMITTAL AND CERTIFICATION

Sales Order Number	Customer Number	Customer Order Number	P.O. Date
1208711876-10	231154	42936-00 (6 OF 6)	12/22/2020

PACKAGING

Packaging Type Standard Packing

DOCUMENTATION

- Document Unit of Measure US
- Certified Dimension Sheet Yes
- Performance Data/Curves Yes
- Standard Connection Diagram Yes
- Motor Instruction Manual Yes
- Renewal Parts List Yes
- Nameplate Data Yes
- Documentation Format PDF

COMMERCIAL COMMENTS

Estimated Lead Time Estimated Lead Time is based on plant loading at the time of quotation and is intended to be used as a guide for our customers. This estimation includes the Engineering and Manufacturing time only. It DOES NOT include shipping time. Please contact your ABB Motors and Mechanical Inc. representative if specific delivery requirements are needed.



Notes:

Class None
Division Not Applicable

Nameplate NP1259L	
CAT.NO.	
SPEC.	36-0000-0452
HP	5
VOLTS	230/460
AMP	11.8/5.9
RPM	3450
FRAME	184CZ
	HZ 60
	PH 3
SER.F.	1.15
	CODE L
	DES A
	CL F
NEMA-NOM-EFF	88.5
	PF 91
RATING	40C AMB-CONT
CC	010A
	USABLE AT 208V 12.8
DE	6207
	ODE 6205
ENCL	TEFC
	SN
	P-58-0814-C

AC Induction Motor Performance Data

Record # 55773

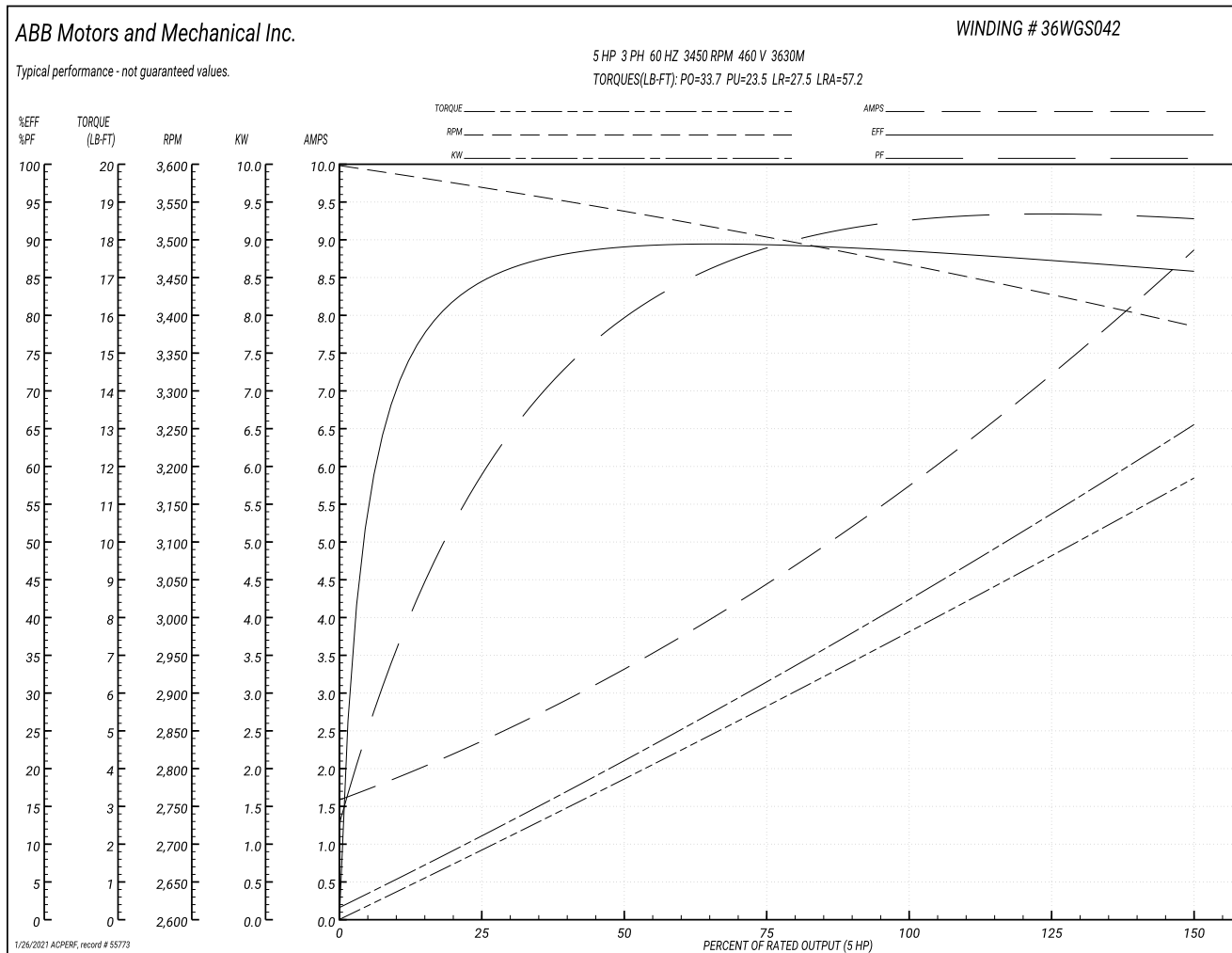
Typical performance - not guaranteed values

Winding: 36WGS042-R054		Type: 3630M	Enclosure: TEFC
Nameplate Data		460 V, 60 Hz: High Voltage Connection	
Rated Output (HP)	5	Full Load Torque	7.67 LB-FT
Volts	230/460	Start Configuration	direct on line
Full Load Amps	11.8/5.9	Breakdown Torque	33.7 LB-FT
R.P.M.	3450	Pull-up Torque	23.5 LB-FT
Hz	60 Phase	Locked-rotor Torque	27.5 LB-FT
NEMA Design Code	A KVA Code	Starting Current	57.2 A
Service Factor (S.F.)	1.15	No-load Current	1.68 A
NEMA Nom. Eff.	88.5 Power Factor	Line-line Res. @ 25°C	2.3313 Ω
Rating - Duty	40C AMB-CONT	Temp. Rise @ Rated Load	72°C
S.F. Amps		Temp. Rise @ S.F. Load	89°C
		Locked-rotor Power Factor	45.1
		Rotor inertia	0.134 LB-FT ²

Load Characteristics 460 V, 60 Hz, 5 HP

% of Rated Load	25	50	75	100	125	150	S.F.
Power Factor	62	81	88	91	93	93	92
Efficiency	84.2	88.9	89.4	88.6	87.3	85.6	87.8
Speed	3568.7	3537.4	3504.2	3465.8	3428.2	3385	3443
Line amperes	2.24	3.26	4.47	5.85	7.26	8.8	6.7

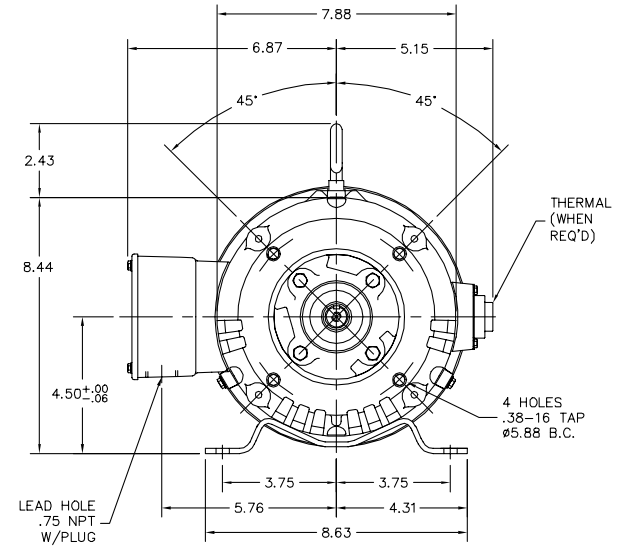
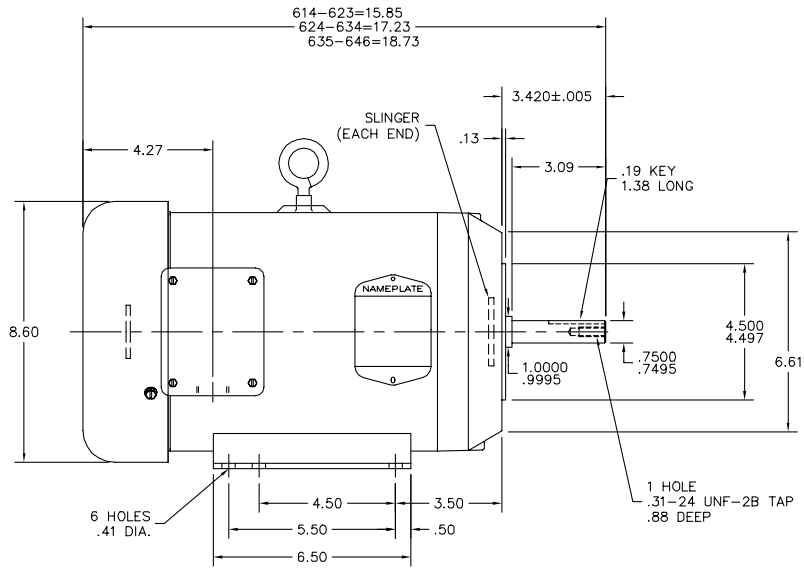
Performance Graph at 460V, 60Hz, 5.0HP Typical performance - Not guaranteed values



Parts List		
Part Number	Description	Quantity
LC0005E01	CONN.DIA./WARNING LABEL (LC0005/LB1119N)	1.000 EA
LB1417	LABEL CARTON 6X4 PERFORATED BLANK ROLLS	1.000 EA
NP1259L	ALUM SUPER-E UL CSA-EEV CC NEMA PREMIUM	1.000 EA
85XU0407S04	4X1/4 U DRIVE PIN STAINLESS	2.000 EA
MN416A01	TAG-INSTAL-MAINT no wire (1200/bx) 3/19	1.000 EA
36SL2366	STATOR LAM 2P. 36 SLOT MM1009	3.750 IN
INSKIT40376	FS,3PH,CL F,SLOT DES 16, 3.750 STK, STD	1.000 EA
MW1000A21	21.0 AWG,H.MW35,MAG-WIRE, 250# SPOOL	10.300 LB
MG5017	VARNISH - PDG 2500	0.050 GA
BG6205E03	6205 D.SL,C3,POLYREX EM	1.000 EA
BG6207E03	6207 D.SL,C3,POLYREX EM	1.000 EA
HW1025A10	#10 BALANCE WASHER (SPL)	4.000 EA
RB3003A01	BEARING RETAINER, MACH	1.000 EA
36RC2130A10	ROTOR CORE, 1.0S 36ER2008	1.000 EA
36SH1K96B02	SH,TEFC,180,CZ,MU3005,6007,6005	1.000 EA
36SB0873B00	BAND ASSY, HORZ W/EYEBOLT ALL LENGTHS	1.000 EA
36FH4009A101	IEC FH NO GREASER, W/PRIMER	1.000 EA
11XW1032S06	10-32 X .38, TAPTITE II, HEX WSHR SLTD S	3.000 EA
HW3200S01	EYEBOLT 3/8-16 X3/4 S.S. TDR #35988	1.000 EA
36FN3000A01SP	EXFN, PLASTIC, 7.00 OD, .912 ID	1.000 EA
MJ1000A02	GREASE, MOBIL POLYREX EM - 124047	0.050 LB
HA3101S25	THRUBOLT- 1/4-20 X 11.00 X	1.000 EA
36EP3104B47	FREP MACH W/O GRSSR,RAISED FH PADS,SLING	1.000 EA
HA1005A03SP	SLINGER, OD 1.750, ID .938, 205 BRG	1.000 EA

Parts List (continued)		
Part Number	Description	Quantity
HW5100A05	WVY WSHR F/205 & 304 BRGS	1.000 EA
36EP3405T12	PUEP ENCL 207 BRG T'SLV,DRAIN, W/O GRSR	1.000 EA
HA1005A07	SLINGER, OD 2.25, ID 1.344, 307 BRG	1.000 EA
10XN2520S24	1/4-20X 1 1/2 HEX HD SS	4.000 EA
HW1001S25	WASHER, 1/4 SPLT LK, STAINLESS STEEL	4.000 EA
HA2006A19	TIGHT SLV 1.376 ID, 1.610 OD, .490 L	1.000 EA
36CB3005A03W	36 CB .75 NPT @ 6 W/WHITE EPOXY	1.000 EA
36GS1000SP	GASKET-CONDUIT BOX, .06 THICK #SV-330 LE	1.000 EA
51XB1016A08	10-16X 1/2HXWSSLD SERTYB	2.000 EA
HW3001B02	BRASS CUP WASHER W/GROUND SYMBOL TAB,	1.000 EA
11XW1032G06	10-32 X .38, TAPTITE II, HEX WSHR SLTD U	1.000 EA
HW4003A02	T&B PLG-2-RD, 3/4-14 NPT PLUG ALUM	1.000 EA
36CB4516	750LIPPED CB LID - GALVANNEAL	1.000 EA
37GS1001SP	GASKET, CONDUIT BOX LID, .06 THICK LEXID	1.000 EA
50XT0832S07	8-32X.44 HEX HEAD/UNSLOTTED/NON-RECESS/S	4.000 EA
MG1000G27	MED CHARCOAL METALLIC GREY 400-0096	0.022 GA
36PA1001	PKG GRP, PRINT PK1017A06	1.000 EA
HW2509D13	316 SS KEY, 3/16 SQ X 1.375	1.000 EA
HA7000A11	KEY RETAINER 0.750 DIA SHAFTS	1.000 EA

36LY-000-205



CUSTOMER IS RESPONSIBLE FOR DETERMINING THAT THE PRODUCT WILL PERFORM SUITABLY IN THE INTENDED APPLICATION.

REV. DESC: NEW	VERSION: 00	TDR: 000001156904
REV. LTR: -	REVISED: 03:10:15 01/25/2021	BY: USCOPIC1
FILE: \AAA\00257\447		
MTL: -		

BALDOR - RELIANCE®

HORZ 182-4CZ TEFC M SLINGERS U=.75,V=3.09,AH=3.42,.31-24 TAP

SH 1 of 1

36LY-000-205

CD0005

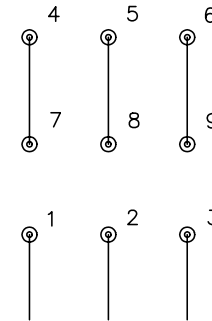


LOW VOLTAGE
(2Y)



LINE

HIGH VOLTAGE
(1Y)



LINE

NOTES:

1. INTERCHANGE ANY TWO LINE LEADS TO REVERSE ROTATION.
2. OPTIONAL THERMOSTATS ARE PROVIDED WHEN SPECIFIED.
3. ACTUAL NUMBER OF INTERNAL PARALLEL CIRCUITS MAY BE A MULTIPLE OF THOSE SHOWN ABOVE.
4. LEAD COLORS ARE OPTIONAL. LEADS MUST ALWAYS BE NUMBERED AS SHOWN.

REV. DESC: REVISE TO SHOW OPTIONAL COLORS

REV. LTR: E BY: JLP

REVISED: 01/19/99 10:15

TDR: 0171435

90000

FILE: AAA00005140

MDL: -

MTL: -

BALDOR ELECTRIC Co.

3PH, DV, 9 LEADS

CD0005

Marketing maintained PDF of MN416:

<http://www.baldor.com/support/Literature/Load.ashx/MN416?ManNumber=MN416>