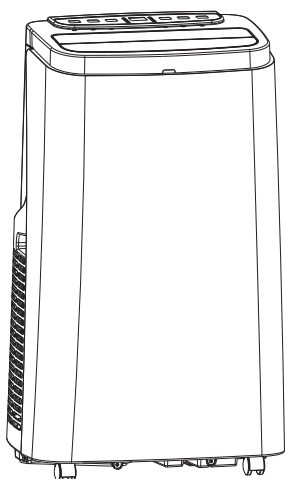


AVENGER

PORTABLE AIR CONDITIONER

OWNER'S MANUAL

ASSEMBLY AND OPERATING INSTRUCTIONS



MODELS:
JHS-A018-10KR
SKU#: 130004

JHS-A018-12KRH
SKU#: 130005

⚠ WARNING: Read and follow all warnings and instructions in this manual to avoid personal injury or property damage.

INSTALLER: Leave this manual with the appliance.

CONSUMER: Leave these instructions with the product and retain for future reference.



Questions, problems, missing parts? Before returning to your retailer, call our customer service department at 1-855-607-6557, 8:00 am - 4:30 pm EST, Monday through Friday or email info@factorybuysdirect.com



FACTORY
BUYS
DIRECT.COM

**Providing Factory Direct Pricing
and Exceptional Products**

TABLE OF CONTENTS

Safety Information	2	Protection Functions	9
Additional Notes and Features	3	Drainage Instructions	10
Specifications and Dimensions	4	Maintenance	11
Components	5	Troubleshooting	12
Installation	6	Appendix	14
Control Setting	8	Warranty	15

SAFETY INFORMATION

Thank you for purchasing the Avenger Portable Air Conditioner. Please keep the manual for later review, and read the manual carefully before use.

NOTE: Please read and understand this entire manual before attempting to assemble, operate or install the product.

Portable air conditioners exhaust large amounts of room air. Always ensure an adequate supply of make-up air to operate efficiently.

- Check available power supply and resolve any wiring problems BEFORE installation and operation of this unit. All wiring must comply with local and national electrical codes and be installed by a qualified electrician. If you have any questions regarding the following instructions, contact a qualified electrician.
- For your safety and protection, this unit is grounded through the power cord plug when plugged into a matching wall outlet. If you are not sure whether the wall outlets in your home are properly grounded, consult a qualified electrician.

⚠ DANGER: Do not leave this unit unattended in a space where people or animals that cannot react to a failed unit are located. A failed unit can cause extreme overheating or death in such an enclosed, unattended space.

⚠ WARNING: Improper connection of the grounding plug can result in risk of fire, electric shock, and/or injury to persons associated with the appliance. Check with a qualified service representative if in doubt that the appliance is properly grounded.

DO NOT USE PLUG ADAPTERS OR EXTENSION CORDS WITH THIS UNIT. If it is necessary to use an extension cord with this unit, use an approved "air conditioner" extension cord only.

To avoid the possibility of personal injury, always disconnect the power supply to the unit before installing and/or servicing.

The unit must be placed upright for a minimum of 2 hours before use.

PREPARATION: Before beginning assembly of product, make sure all parts are present. Compare parts with package contents list. If any part is missing or damaged, do not attempt to assemble the product.

NOTES

1. The air conditioner is only suitable for indoor use.
2. All writing must comply with local and national codes to ensure that the appliance is properly grounded. If you have any question on electrical installation, follow the instructions of the manufacturer, and if necessary, ask a professional electrician to install it.

NOTES CONT.

3. Place the appliance in a flat and dry place and keep a distance of above 20 inches between the machine and the surrounding objects or walls.
4. After the air conditioner is installed, ensure that the power plug is intact and firmly plugged into the power outlet. Place the power cord to prevent someone from being tripped or pulling out the plug.
5. Do not put any object into the air inlet and outlet of the air conditioner. Keep the air inlet and outlet free from obstructions.
6. When drainage pipes are installed, ensure that the drainage pipes are properly connected, and are not distorted or bent.
7. While adjusting the upper and lower wind-guide louvers of the air outlet, handle gently to avoid damaging wind-guide louvers.
8. When moving the appliance, make sure that it is in an upright position.
9. The appliance should stay away from gasoline, flammable gas, stoves and other heat appliances.
10. Do not install and use the air conditioner in the bathroom or other humid environments.
11. Do not pull the plug to turn off machine.
12. Do not place any objects on the air conditioner.
13. Do not use insecticide spray or other flammable substances near the air conditioner.
14. Do not wipe or wash the appliance with chemical solvents such as gasoline and alcohol. When you need to clean the air conditioner, you must disconnect the power supply, and clean it with a half-wet soft cloth. If needed, scrub with a mild detergent.

FEATURES

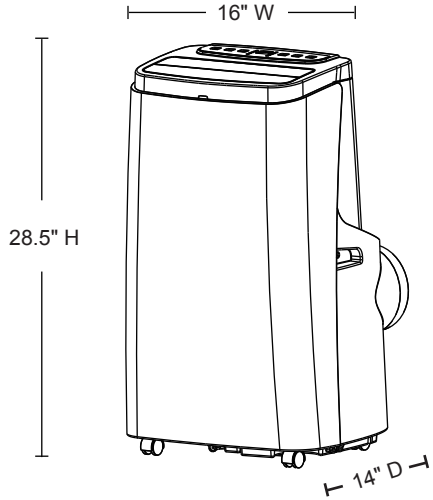
1. Modern appearance, compact, simple, and elegant.
2. Cooling, heating (select models), dehumidification, air supply and continuous drainage function.
3. Automatic swing louver incorporates automatic air swing function. The outlet can be covered when the appliance is turned off to prevent dust from entering the body.
4. LCD displays control panel. High-quality LCD remote control is equipped to facilitate operation. The remote control can be placed on the back of the body.
5. Handles on both sides allow for ease of portability.
6. A cord wrap is provided on the back of the appliance to keep the cord safe and out of the way.
7. Outdoor interface is set high to facilitate assembly and keep the smooth flow of the heat pipe. Outlet connection for the hose is high at the back of the heater to facilitate heat exit and efficiency.
8. Air filtration capability.
9. Timing switch function.
10. Appliance protection function of automatically restarting the compressor after three minutes if a power failure happens.

SPECIFICATIONS

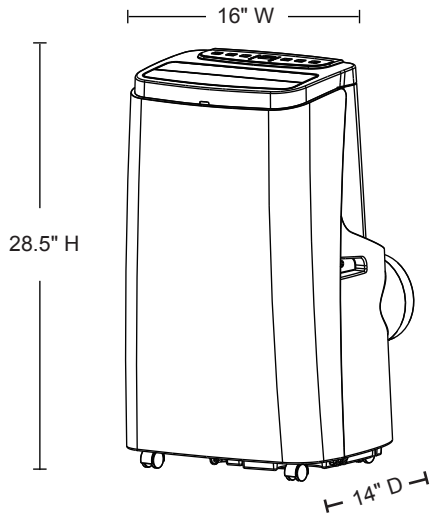
	SKU#: 130004	SKU#: 130005
Product Weight	53 lbs	61 lbs

PRODUCT DIMENSIONS

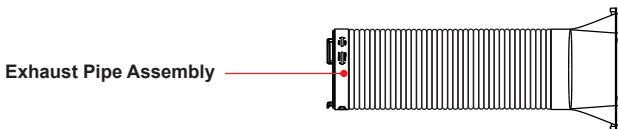
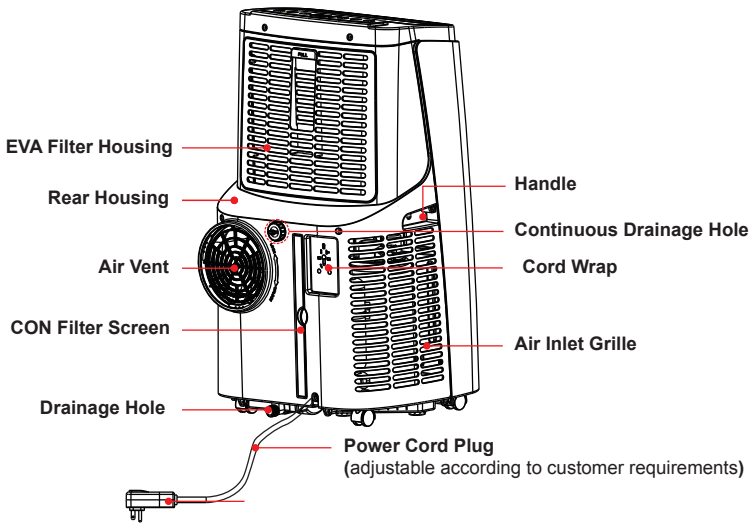
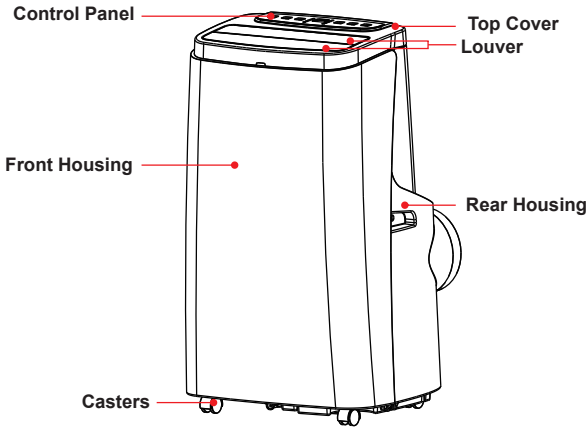
SKU#: 130004



SKU#: 130005



COMPONENTS



INSTALLATION

⚠ WARNING: Before using the portable air conditioner, keep upright for at least two hours.

The air conditioner can be easily moved in the room. In the moving process, ensure that the air conditioner is in the upright position and the air conditioner is placed on a flat surface. Do not install and use the air conditioner in the bathroom or other humid environment.

1. Install the heat pipe assembly (as shown in Figure 1):

Screw the heat pipe assembly (exhaust fitting end) into the exhaust port on the rear panel (counterclockwise).

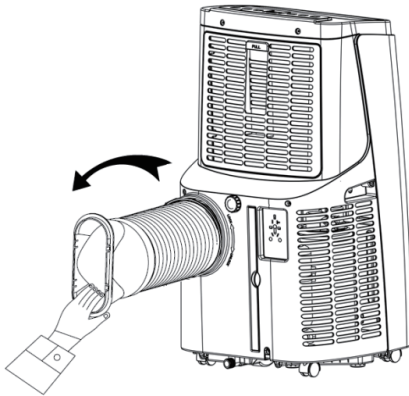


Figure 1

2. Half open the window, and mount the window sealing plate assembly to the window (as shown in Figure 2 and Figure 3); the assembly can be placed in horizontal and vertical directions depending on your need.

2a. Pull various components of the window sealing plate assembly open, adjust their opening distance to bring both ends of the assembly into contact with the window frame.

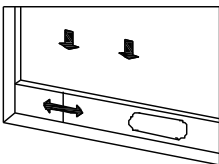


Figure 2

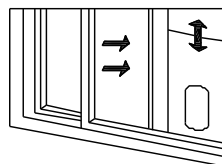


Figure 3

INSTALLATION CONT.

3. Move the appliance with installed heat pipe and fittings in front of the window. The distance between the body and walls or other objects shall be least .20 inches (as shown in Figure 4).

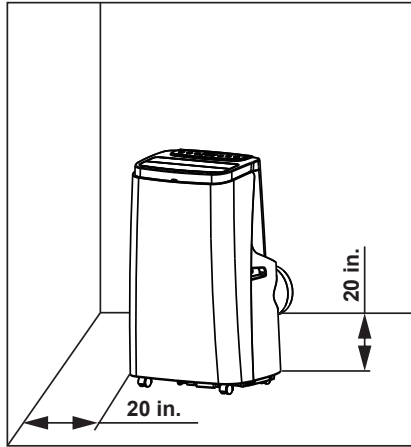


Figure 4

4. Elongate the heat pipe and snap the flat end of the heat pipe into the elliptical hole of the window sealing plate assembly (as shown in Figure 5 and Figure 6).

NOTE:

1. The flat end of the heat pipe joints must be snapped into place.
2. The pipe cannot be distorted or have substantial turning (greater than 45 degrees). Keep the ventilation of the heat pipe unobstructed.

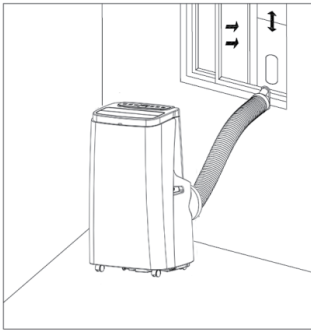


Figure 5

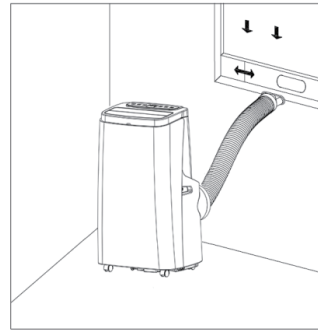


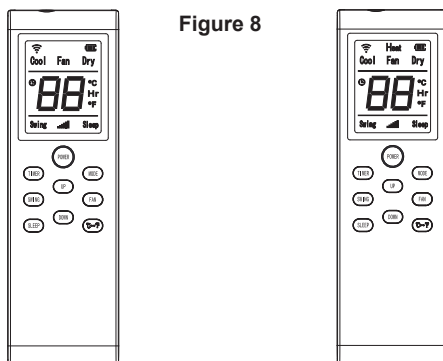
Figure 6

***IMPORTANT NOTICE:**

The length of the exhaust hose should be 11"-59", and this length is based on the specifications of the air conditioner. Do not use extension tubes or replace it with other different hoses as this may cause a malfunction. Exhaust must be unobstructed; otherwise it may cause overheating.

CONTROL SETTING CONT.

OPERATING INSTRUCTIONS OF THE REMOTE CONTROL:



cool only remote control
SKU#: 130004

cool + heat pump remote control
SKU#: 130005

Key operation of the high-quality remote control are as follows:

1. Power: Press the key to turn on or turn off the machine.
2. Mode: Press the key to switch between cooling, air supply, dehumidification and heating (single cold with no such function) mode.
3. Up: Press the key to increase temperature and timer.
4. Down: Press the key to reduce temperature and timer.
5. Fan: Press the key to select high, medium, and low fan speed output circulation.
6. Timer: Press the key to set timer.
7. Louver: Press the key to open or close louver. Air flow of the air outlet can blow at different angles.
8. °C↔°F: Press key to switch between Celsius and Fahrenheit.

PROTECTION FUNCTIONS

1. Frost Protection Function:

In cooling, dehumidification or economic power saving mode, if the temperature of the exhaust pipe is too low, the appliance will automatically enter into protection mode; if the temperature of the exhaust pipe rises to a certain temperature, it can automatically revert to normal operation.

2. Overflow Protection Function:

When water in the water pan exceeds the warning level, the machine will automatically sound an alarm, and the LDC temperature display area will show "FL". At this point, you need to move the drainage pipe connecting the machine or the water outlet a drainage area to empty the water (details see Drainage Instructions at the end of this chapter). After the water is emptied, the machine will automatically return to the original state.

PROTECTION FUNCTIONS CONT.

3. Automatic Defrosting (heating and cooling models have this function):

- The machine has automatic defrosting functions: during defrosting, heating symbol on the display screen will flash.

4. Automatic Thermal Protection:

- To protect the service life of the appliance, the machine has automatic thermal protection in heating mode. During the protection period, the compressor and the lower motor will stop operation and will automatically return to normal heating state after the temperature of the appliance recovers.

5. Protection Function of the Compressor:

- To increase the service life of the compressor, it has a 3 minute delay booting protection function after the compressor is turned off.

DRAINAGE INSTRUCTIONS

1. Manual Drainage:

- When the appliance stops after the water is full, turn off the machine power and unplug the power plug.

NOTE: Please move the appliance carefully, so as not to spill the water in the water pan at the bottom of the body.

- Place the water container below the side water outlet behind the body.
- Unscrew the drainage cover and unplug the water plug, the water will automatically flow into the water container.

NOTE: Set the drainage cover and plug aside within easy access. During drainage, the body can be tilted slightly backwards. If the water container cannot hold all the water, before the water container is full, plug the water outlet with the water plug as soon as possible to prevent water from flowing to the floor or the carpet.

- When the water is discharged, plug in the water plug, and tighten the drainage cover.

NOTE: Restart the appliance after the water plug and drainage cover are installed, otherwise condensate water of the machine will flow to the floor or the carpet.

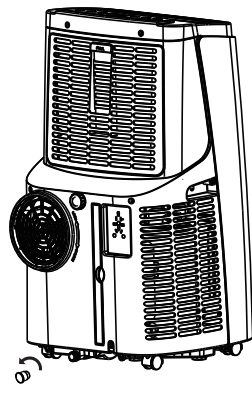


Figure 9

DRAINAGE INSTRUCTIONS CONT.

2. Continuous Drainage (only applicable to cooling and dehumidification mode), as shown in figure:

- Unscrew the drainage cover, and unplug the water plug.
- Set the drainage pipe into the water outlet.
- Connect the drainage pipe to the bucket

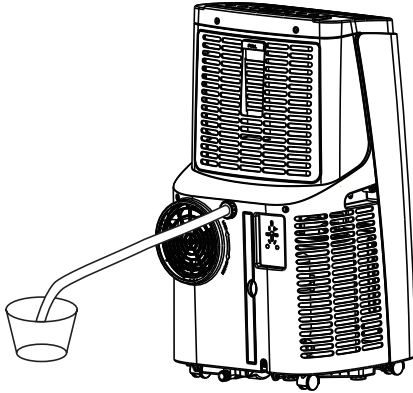


Figure 10

MAINTENANCE

Before cleaning and maintenance, turn off the appliance and unplug the plug.

1. Clean surface of appliance with a wet soft cloth. Don't use chemicals, such as benzene, alcohol, gasoline, etc.; otherwise, the air conditioner will be damaged.
2. Clean the filter screen. If the filter screen is clogged with dust, and the effectiveness of the air conditioner is reduced, be sure to clean the filter screen once every two weeks.

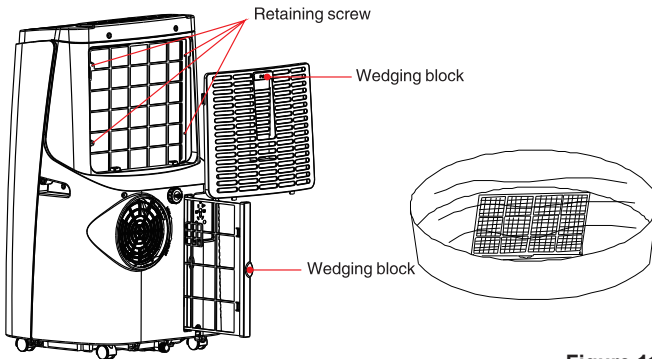


Figure 11

MAINTENANCE CONT.

2a. Cleaning the Upper Filter Screen Frame

Clasp the wedging block of the EVA filter screen frame with hands. Force down from the outside to remove the EVA filter screen frame. Unscrew four screws holding the EVA filter screen to the rear housing to remove the EVA filter screen (as shown in the figure 11).

2b. Put the EVA filter screen into warm water with neutral detergent (about 40°C/ 104°F) and allow time to air dry after rinsing it clean.

POST-SEASON STORAGE:

1. Unscrew the drainage cover, unplug the water plug, and discharge the water into the water pan or container.
2. Turn on the appliance, adjust it to low-wind ventilation mode, and maintain this state until the drainage pipe becomes dry. Keeping the inside of the body in a dry state will prevent it from mildewing and extend the life of your appliance.
3. Turn off the appliance, unplug the power plug, and wrap the power cord around the wrapping post; install the water plug and the drainage cover.
4. Remove the exhaust pipe and store it properly.
5. Cover the air conditioner with a plastic bag. Put the air conditioner in a dry place, keep it out of the reach of children, and take dust control measures.
6. Remove batteries of the remote control

NOTE: Ensure that the body is placed in a dry place and store all machine components properly.

TROUBLESHOOTING

Do not repair or disassemble the air conditioner by yourself. Unqualified repair will lead to failure of the warranty and may cause damage to users of their property.

TROUBLESHOOTING CONT.

Problems	Reasons	Solutions
The air conditioner does not work	There is no electricity.	Turn it on after connecting it to a socket with electricity.
	The overflow indicator displays "FL".	Discharge the water inside.
	The ambient temperature is too low or too high.	Recommend to use the appliance in at the temperature of 7-35°C (44-95°F).
	In cooling mode, the room temperature is lower than the set temperature in heating mode, the room temperature is higher than the set temperature.	Change the set temperature.
	In dehumidification mode, the ambient temperature is low.	The appliance is placed in a room with an ambient temperature of greater than 17°C (62°F).
The cooling or heating effect is not good.	There is direct sunlight.	Pull the curtain.
	Doors or windows are open; there are a lot of people; or in cooling mode, there are other sources of heat.	Close the doors and windows, and add new air condition.
	The filter screen is dirty.	Clean or replace the filter screen.
	The air inlet or outlet is blocked.	Clear obstructions.
	The air conditioner is not placed on a flat surface.	Put the air conditioner on a flat and hard surface (to reduce noise).
Loud noise	Overheat protection starts.	Wait for 3 minutes until the temperature is lowered, and then restart the appliance.
The compressor does not work.	The distance between the machine and the remote control is too far.	Bring remote control close to the air conditioner and make sure that the remote control directly faces the direction of the remote control receiver.
The remote control does not work.	The remote control is not aligned with the direction of the remote control receiver.	
	Batteries are dead.	Replace batteries.
Displays "E1".	The pipe temperature sensor is abnormal.	Check the pipe temperature sensor and related circulation.
Displays "E2".	The room temperature sensor is abnormal.	Check the pipe temperature sensor and related circulation.

APPENDIX

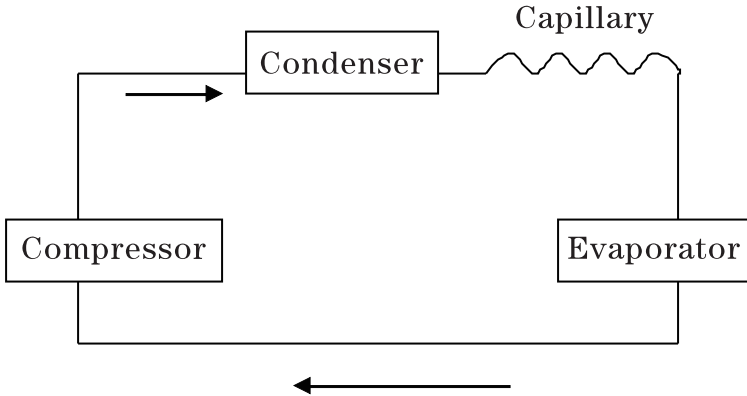
Fuse Parameters

Type: FSD or 50F

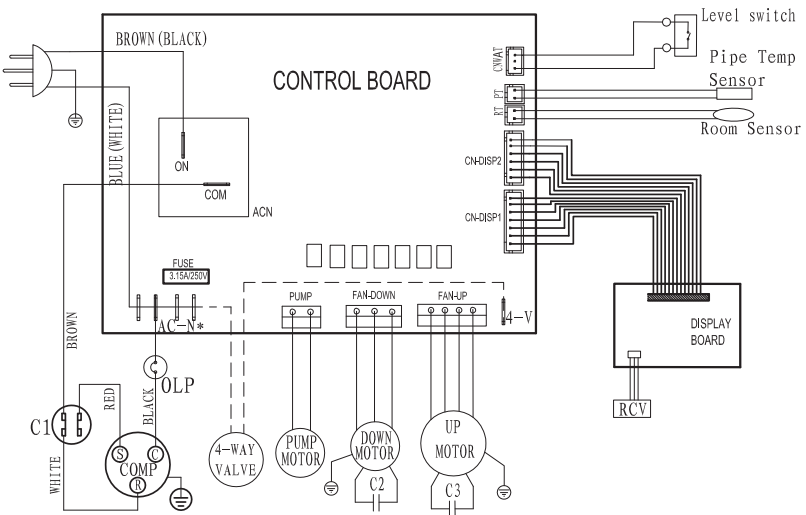
Voltage: 250V

Current: 3.15A

Schematic Diagram



ELECTRIC CIRCUIT DIAGRAM



For model, technology and specific parameters please refer to product name-plate.



Treatment: Don't put the abandoned appliance with other unsorted waste. Such waste should be placed separately for other special use.

WARRANTY

KEEP THIS WARRANTY

Model _____

Serial No. _____

Date Purchased _____

Keep receipt for warranty verification.

REGISTER YOUR PRODUCT AT WWW.FACTORYBUYSDIRECT.COM

FACTORY BUYS DIRECT LIMITED WARRANTIES

New Products

Standard Warranty: Factory Buys Direct warrants this new product and any parts thereof to be free from defects in material and workmanship for a period of one (1) year from the date of first purchase from an authorized dealer provided the product has been installed, maintained and operated in accordance with Factory Buys Direct's warnings and instructions.

For products purchased for commercial, industrial or rental usage, this warranty is limited to 90 days from the date of first purchase.

Factory Reconditioned Products

Limited Warranty: Factory Buys Direct warrants factory reconditioned products and any parts thereof to be free from defects in material and workmanship for a period 30 days from the date of first purchase from an authorized dealer provided the product has been installed, maintained and operated in accordance with Factory Buys Direct's warnings and instructions. No return will be authorized. Parts will be provided to repair the product.

Terms Common to All Warranties

The following terms apply to all of the above warranties:

Always specify model number and serial number when contacting the manufacturer. To make a claim under this warranty, the bill of sale or other proof of purchase must be presented.

This warranty is extended only to the original retail purchaser when purchased from an authorized dealer, and only when installed by a qualified installer in accordance with all local codes and instructions furnished with this product.

This warranty covers the cost of part(s) required to restore this product to proper operating condition and an allowance for labor when provided by a Factory Buys Direct Authorized Service Center or a provider approved by Factory Buys Direct. Warranty parts must be obtained through authorized dealers of this product and/or Factory Buys Direct who will provide original factory replacement parts. Failure to use original factory replacement parts will void this warranty.

Traveling, handling, transportation, diagnostic, material, labor and incidental costs associated with warranty repairs, unless expressly covered by this warranty, are not reimbursable under this warranty and are the responsibility of the owner.

Excluded from this warranty are products or parts that fail or become damaged due to misuse, accidents, improper installation, lack of proper maintenance, tampering or alteration(s).

This is Factory Buys Direct's exclusive warranty, and to the full extent allowed by law; this express warranty excludes any and all other warranties, express or implied, written or verbal and limits the duration of any and all implied warranties, including warranties of merchantability and fitness for a particular purpose to one (1) year on new products and 30 days on factory reconditioned products from the date of first purchase.

Factory Buys Direct makes no other warranties regarding this product.

Factory Buys Direct's liability is limited to the purchase price of the product and Factory Buys Direct shall not be liable for any other damages whatsoever under any circumstances including direct, indirect, incidental, or consequential damages.

Some states do not allow limitations on how long an implied warranty lasts or the exclusion or limitation of incidental or consequential damages, so the above limitation or exclusion may not apply to you.

This warranty gives you specific legal rights, and you may also have other rights which vary from state to state.



**FACTORY
BUYS
DIRECT.COM**

Factory Buys Direct
500 Brown Industrial Parkway
Canton, GA 30114
1-855-607-6557

M130004/5-01
Rev. A
01/16