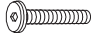



















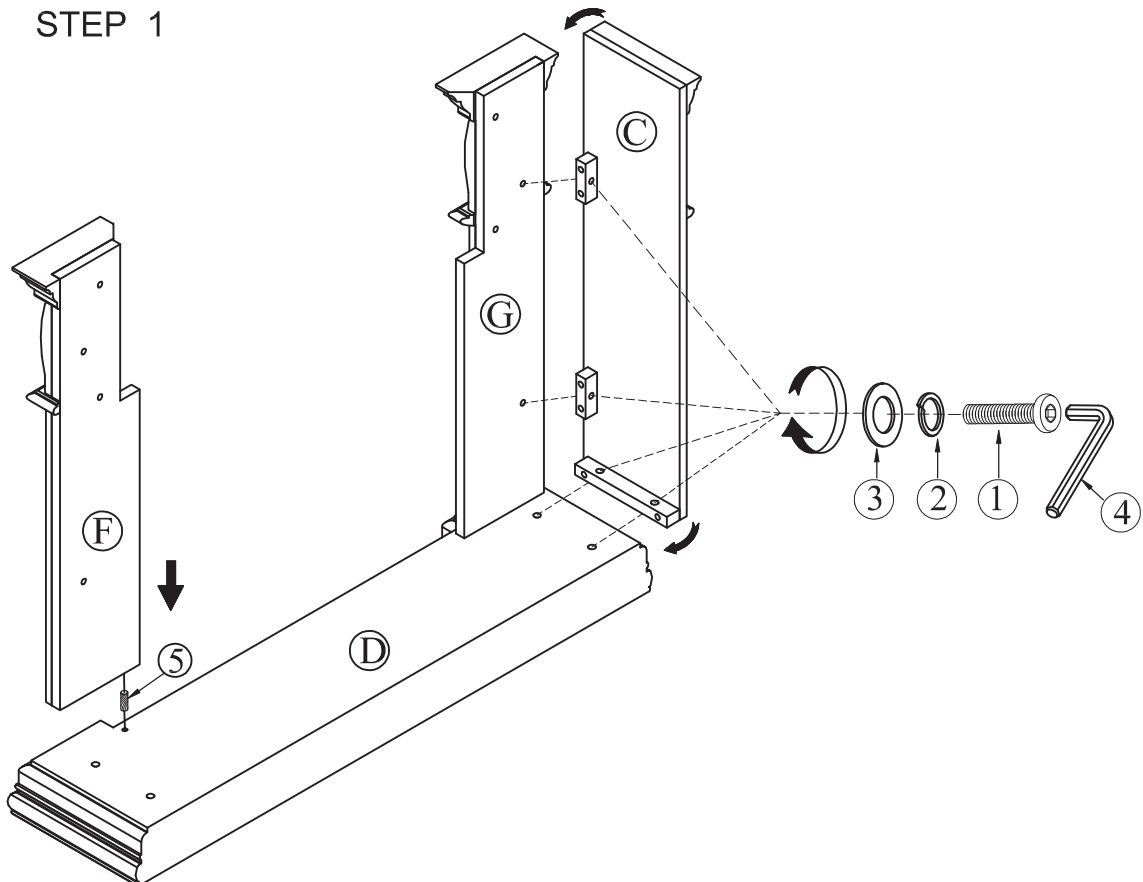
ASSEMBLY INSTRUCTIONS

MODEL: MHM-16-TA MANTEL

HARDWARE LIST			
1		Allen Bolt 1/4" x 32mm	20PCS
2		Spring washer 1/4"	24PCS
3		Flat washer 1/4" x 16 x 1.5mm	24PCS
4		Allen wrench 4mm	1PC
5		Wood Dowels Ø8x30mm	6PCS
6		Threaded Bolt 1/4" x 55mm	4PCS
7		Hex Nut	4PCS
8		Wrench	1PC
9		Wood Support	4PCS

COMPONENT LIST			
No.	Drawing	Description	QTY
A		TOP PANEL	1PC
B		RIGHT SIDE PANEL	1PC
C		LEFT SIDE PANEL	1PC
D		BOTTOM PANEL	1PC
E		FRONT PANEL	1PC
F		RIGHT FRONT POST	1PC
G		LEFT FRONT POST	1PC
I		CENTER BACK RAIL	1PC
J		PARTITION RAIL SUPPORT	2PCS

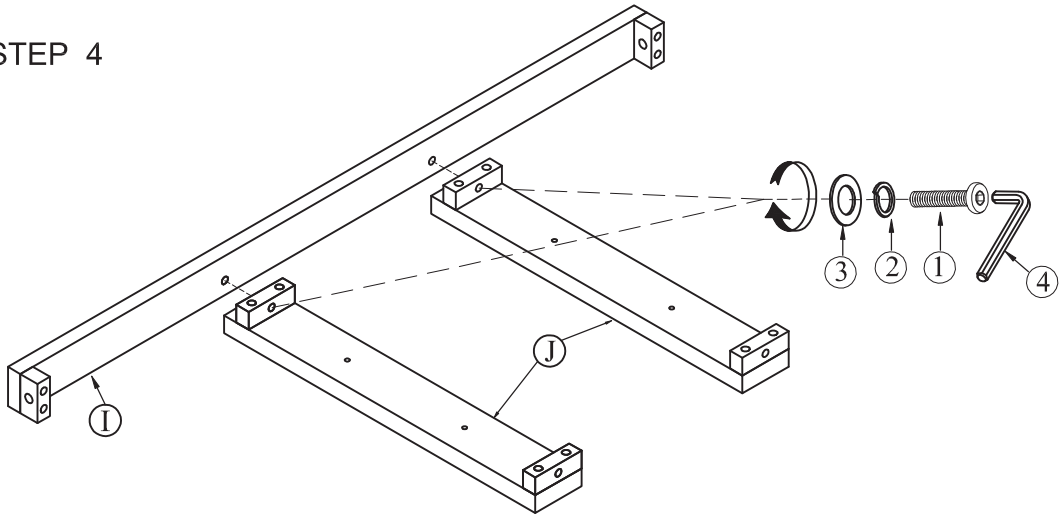
STEP 1



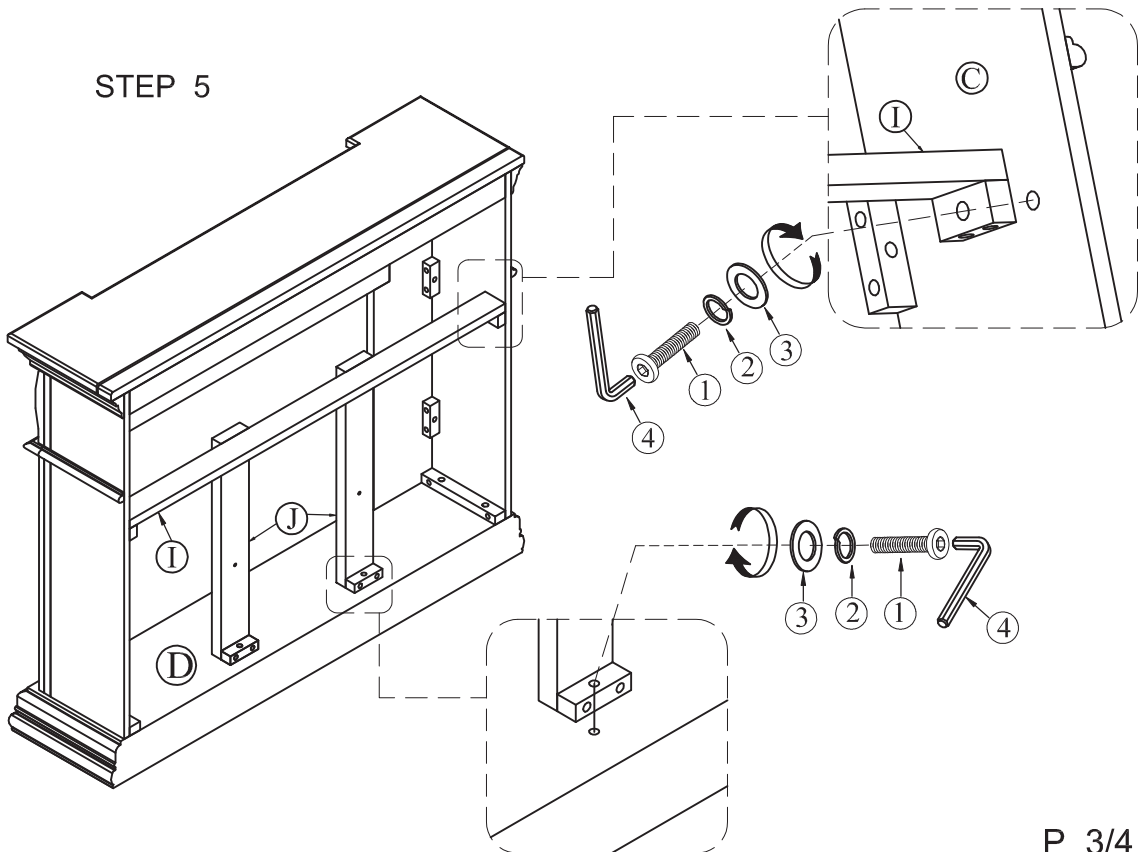
ASSEMBLY INSTRUCTIONS

MODEL: MHM-16-TA MANTEL

STEP 4



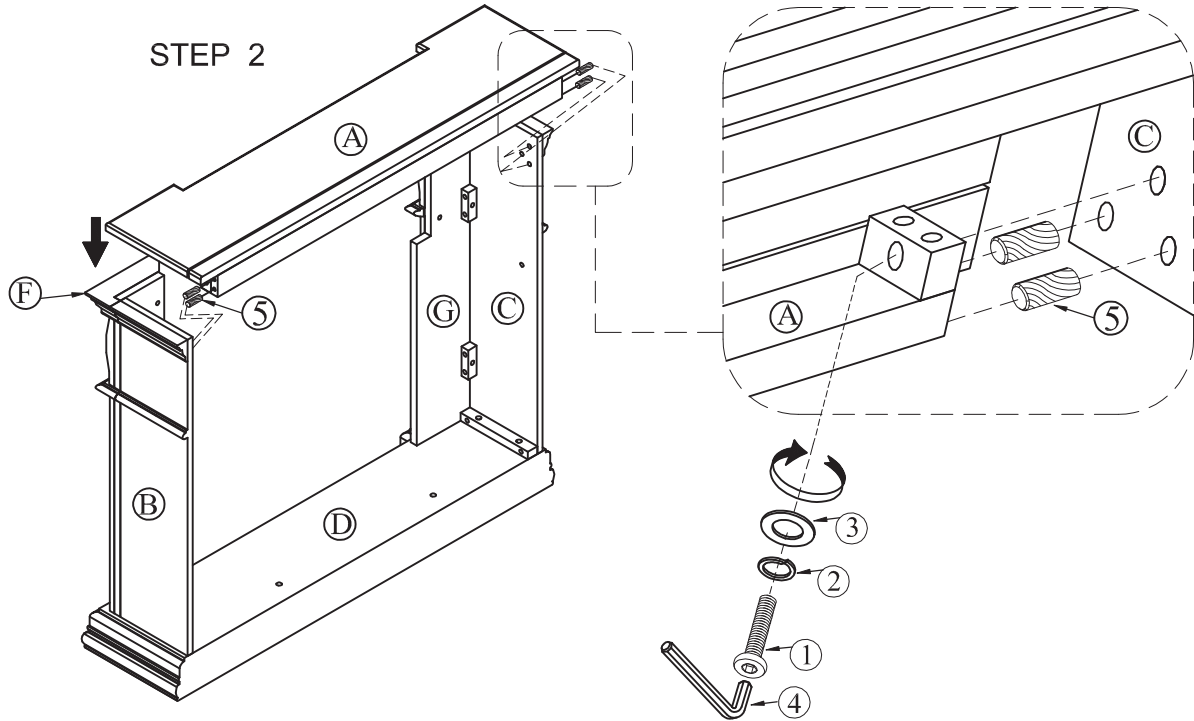
STEP 5



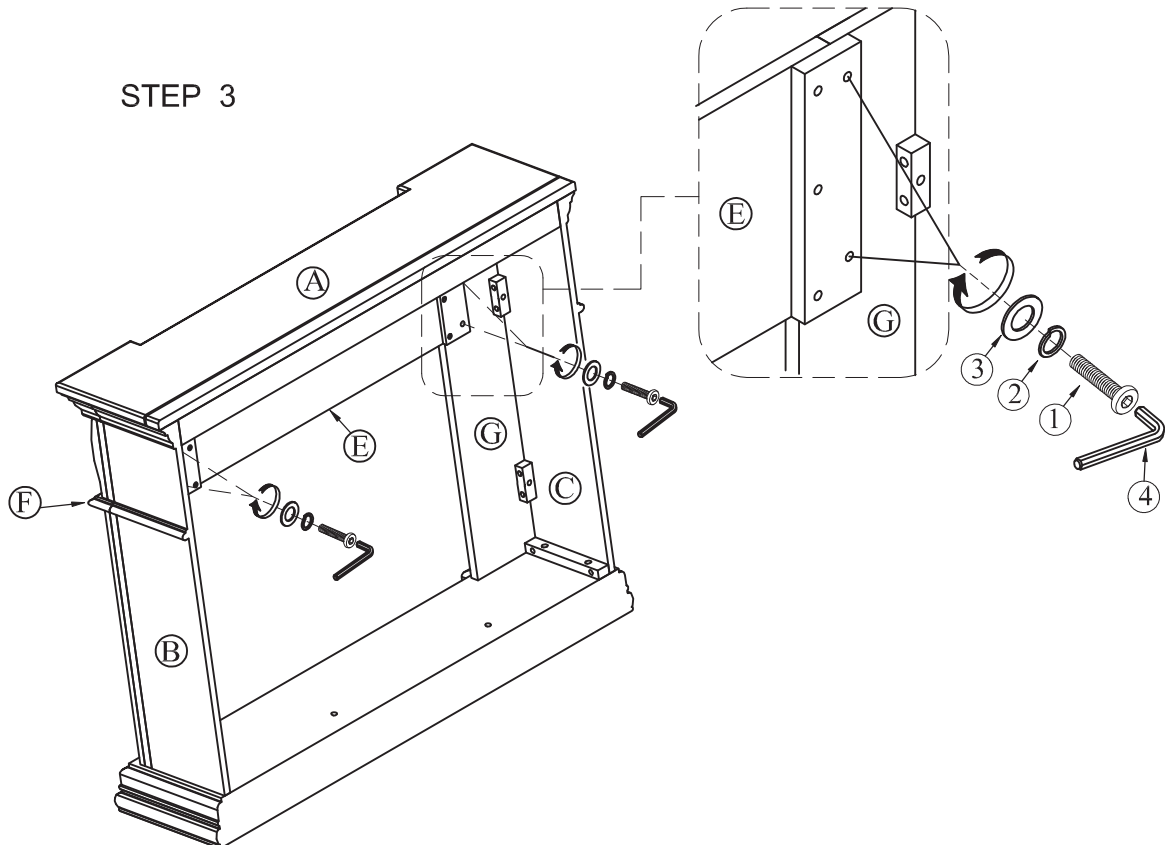
ASSEMBLY INSTRUCTIONS

MODEL: MHM-16-TA MANTEL

STEP 2



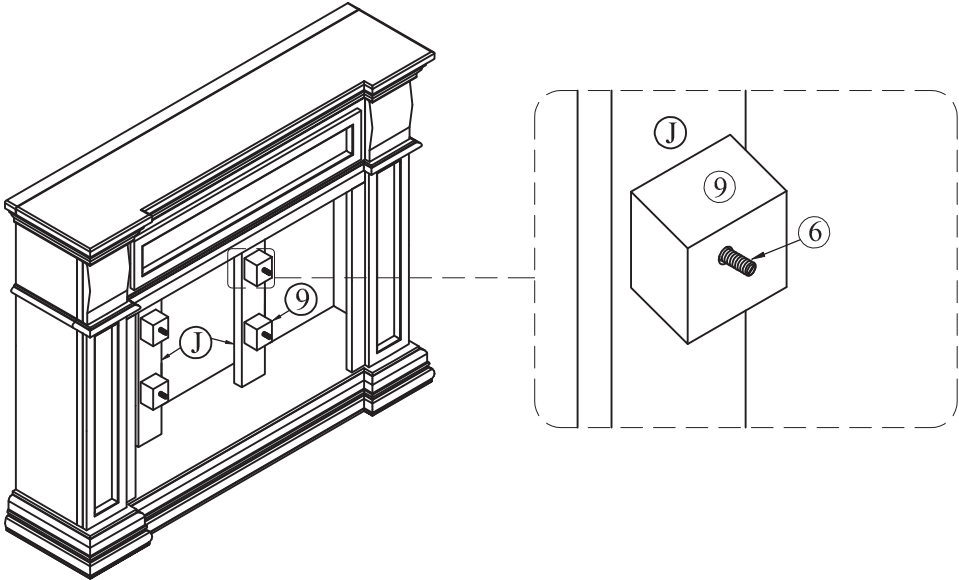
STEP 3



ASSEMBLY INSTRUCTIONS

MODEL: MHM-16-TA MANTEL

STEP 6



STEP 7

