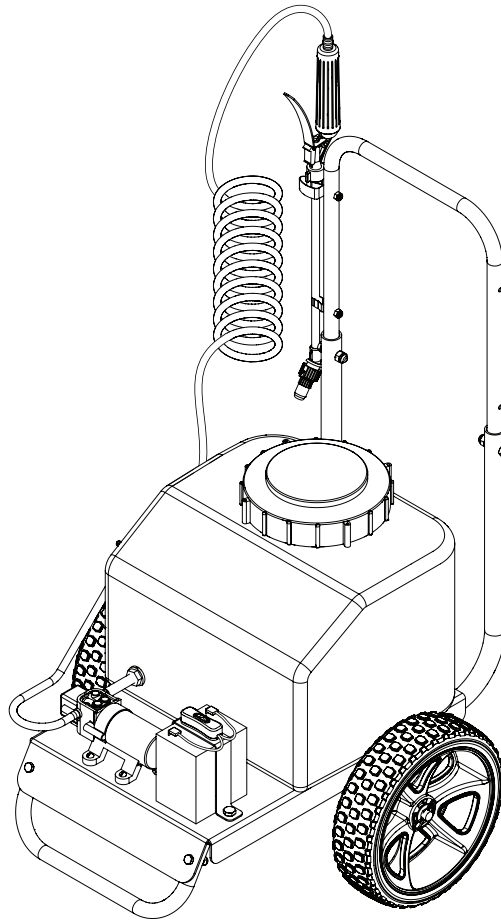


Agri+Fab[®]

Lawn Care Made Easy[®]



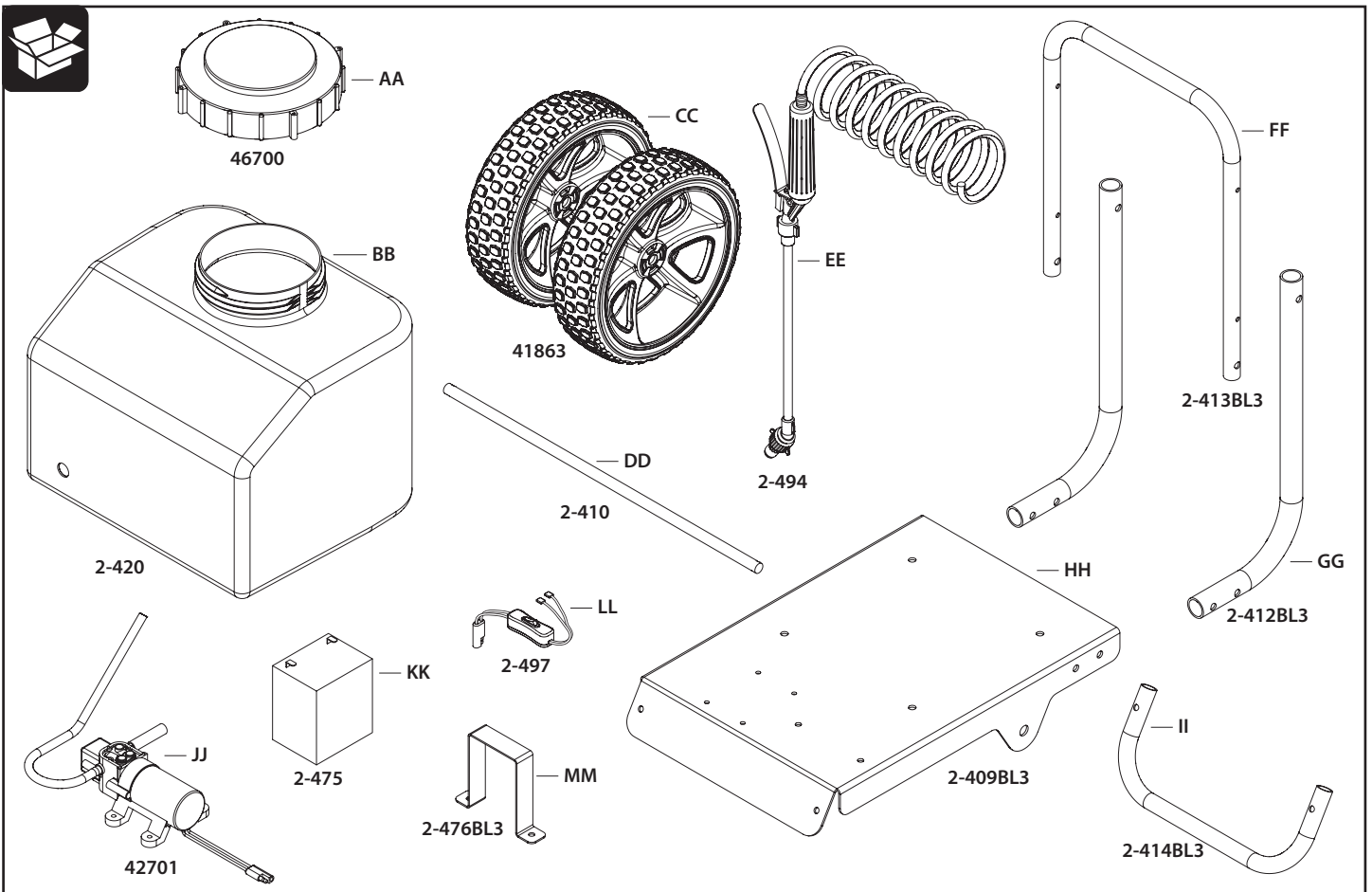
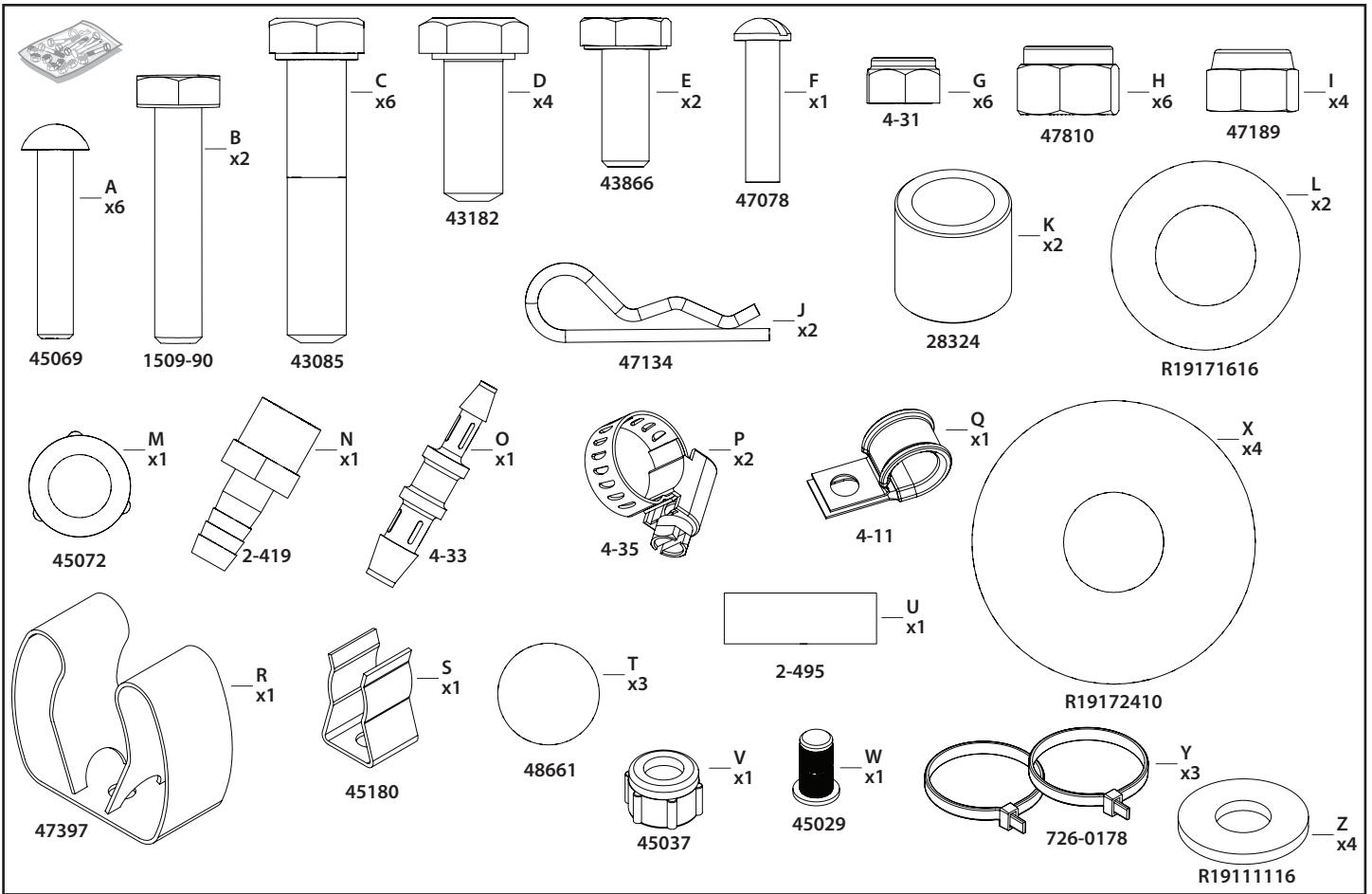
45-0595

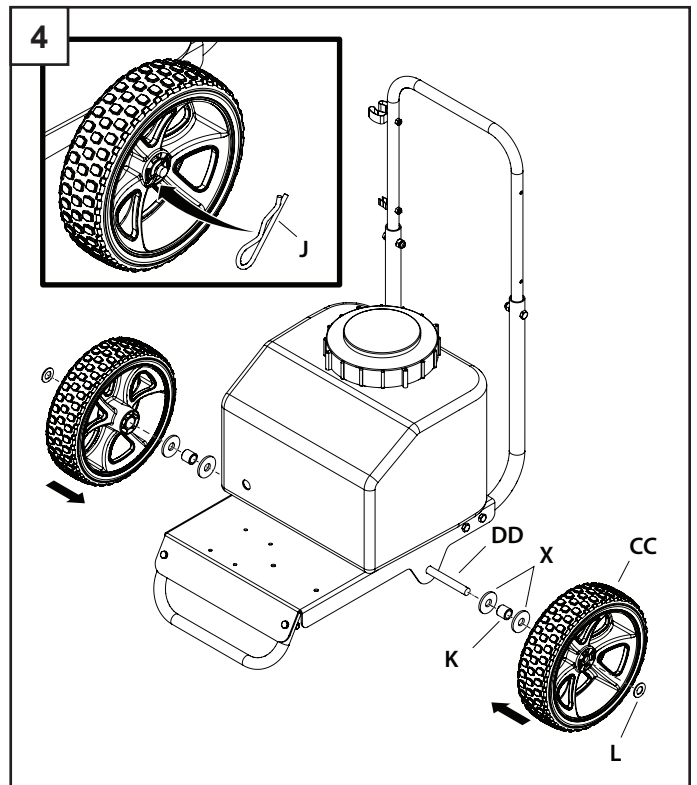
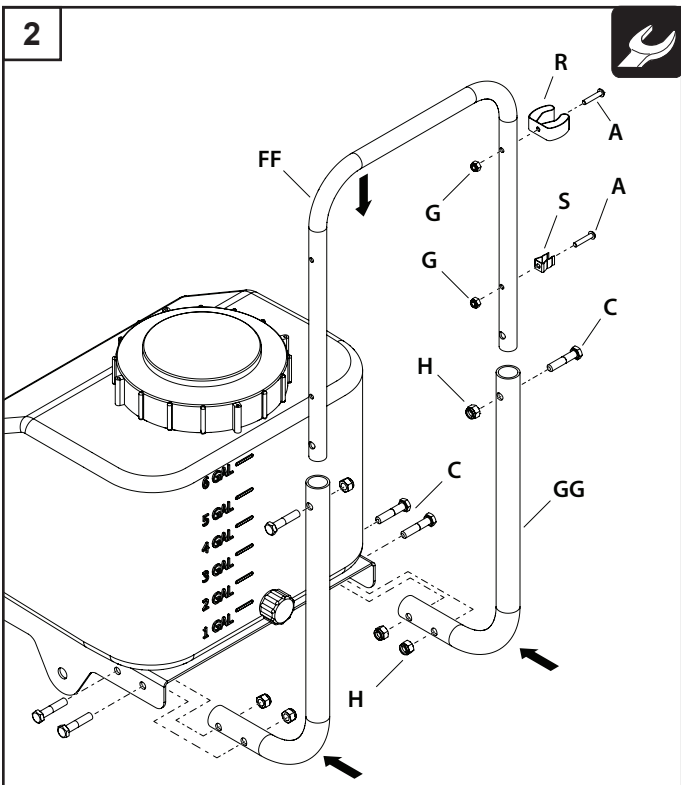
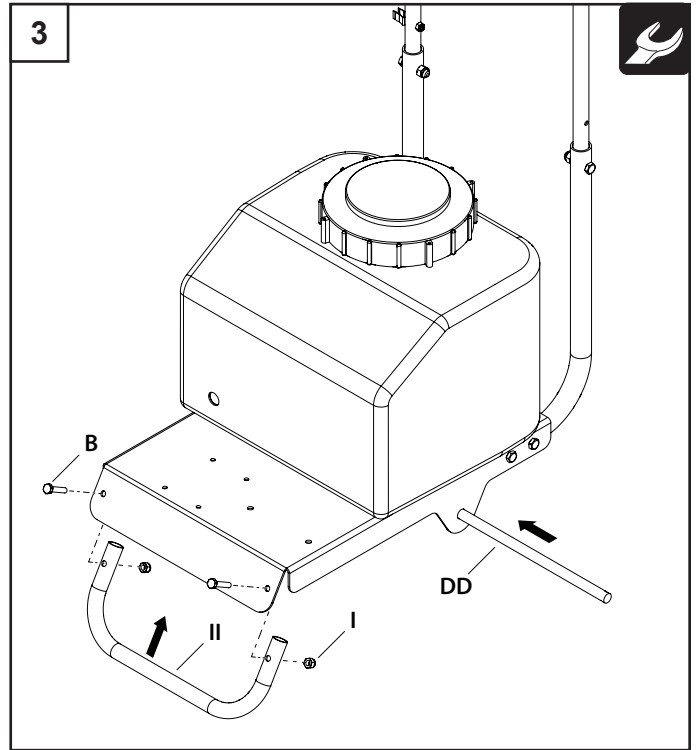
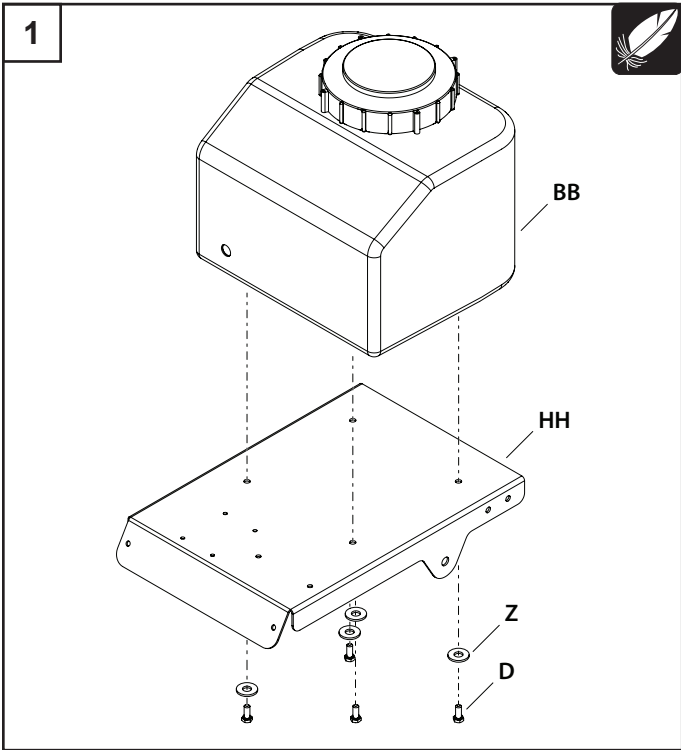
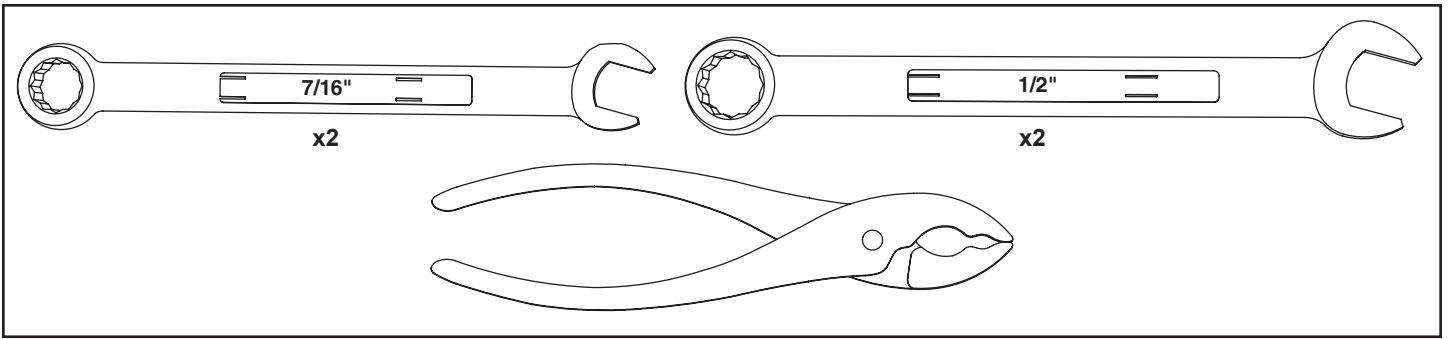
Want more information or assembly tips?

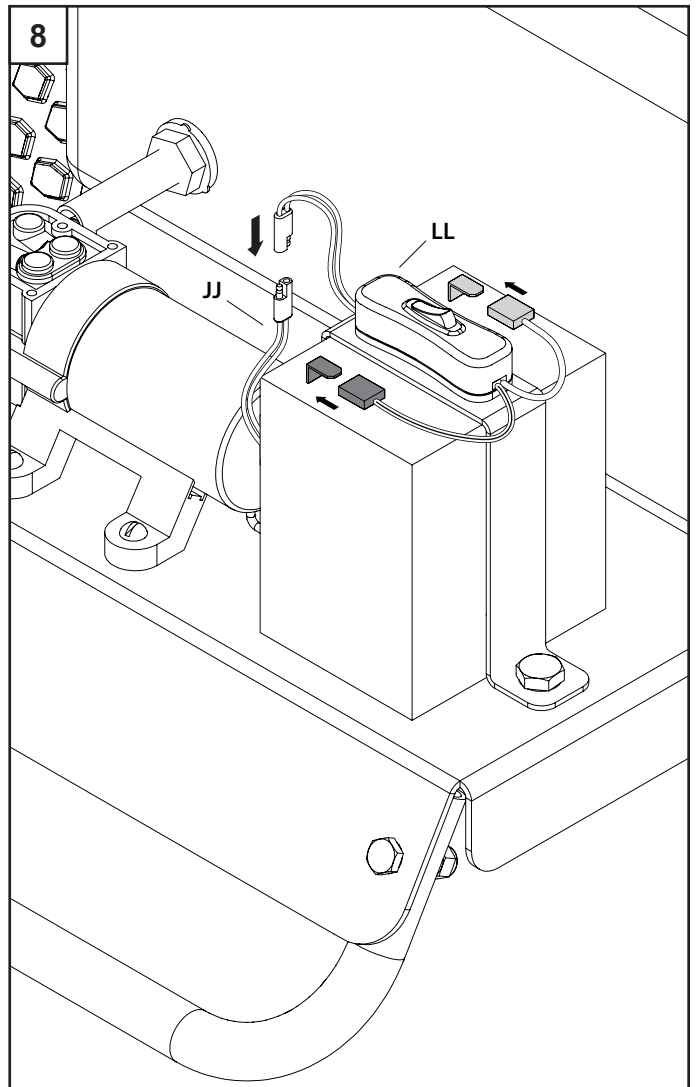
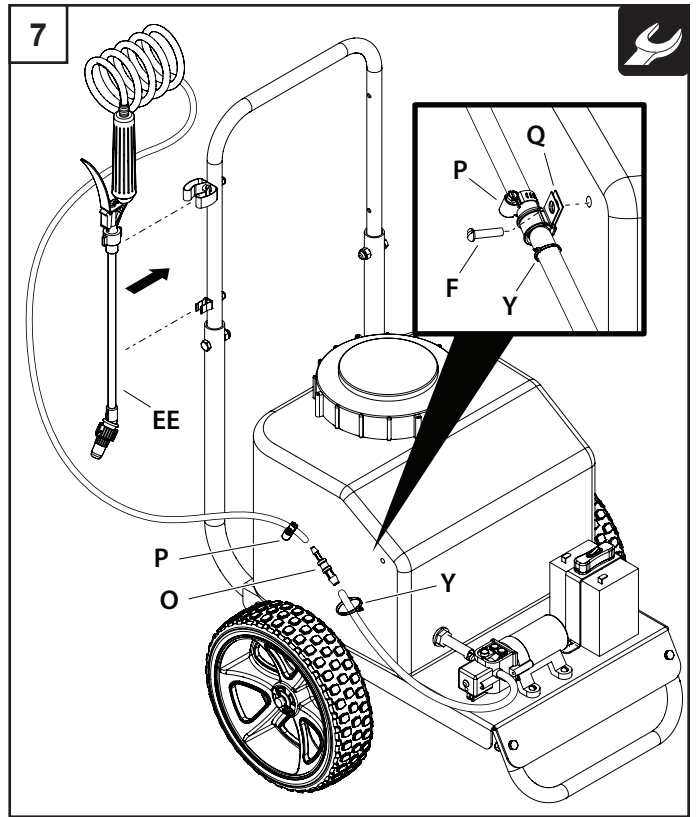
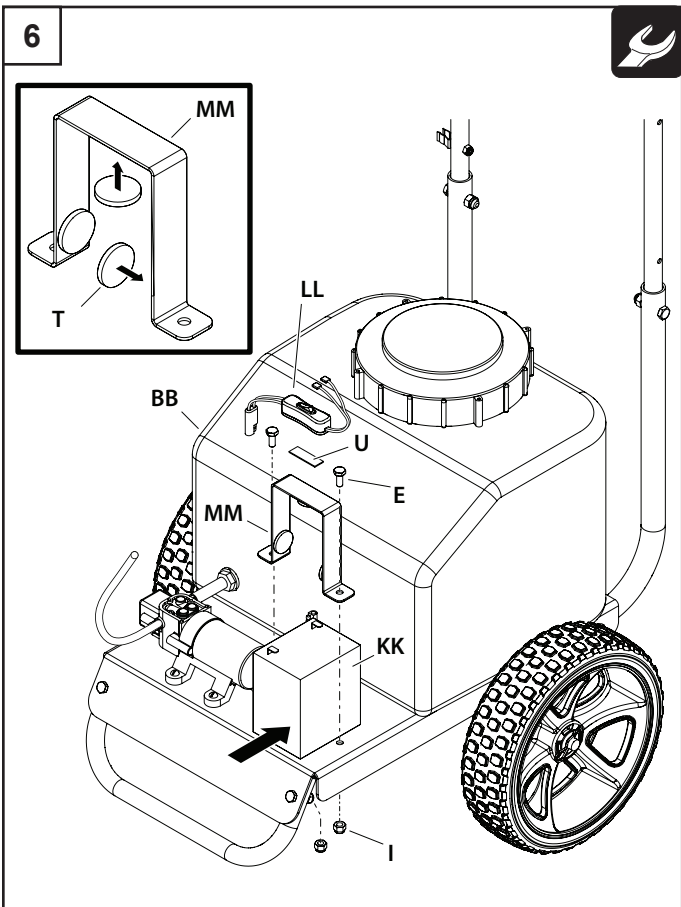
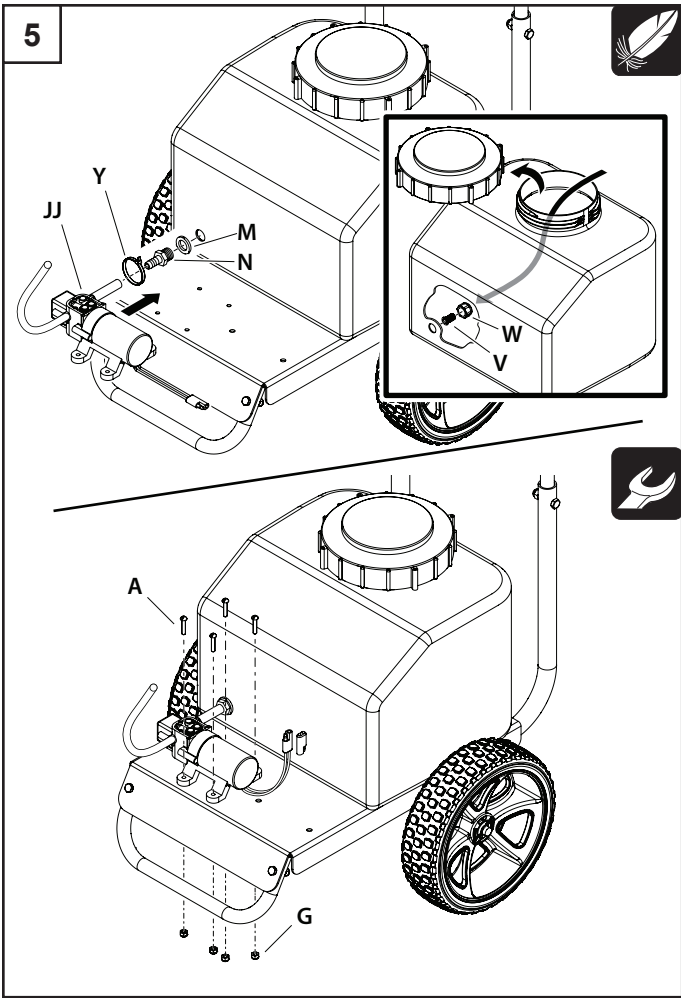


**Video
Instruction
Guide**

[youtube.com/c/agrifab](https://www.youtube.com/c/agrifab)







ENGLISH

ASSEMBLY

The meanings of symbols used in the illustrations are as follows:

Do not overtighten.



Tighten now.



SAFETY

1. Read this owners manual and the vehicle owners manual before using this sprayer.
2. Never allow children to operate this sprayer.
3. Do not allow anyone to ride on or sit on this sprayer.
4. Keep the area clear of all persons, especially small children.
5. Read the chemical label before handling or mixing chemicals.
6. Wear eye and hand protection and protective clothing when handling and applying lawn chemicals.
7. Always release pressure in the system before filling, cleaning, or servicing the sprayer.
8. Liquid spray material is recommended. Sprayer does not agitate wettable powders.
9. Do not spray on windy days.
10. Stop sprayer when tank is empty.

ABOUT THE BATTERY

The 6-gallon Sprayer comes with a 12-Volt, maintenance-free, rechargeable, sealed lead acid battery. A fully charged battery runs about 20 hours or 400 up/down cycles. Properly maintained and charged, the battery provides years of dependable service. Never modify the 6-gallon Sprayer's electrical system. Modifications could ruin the electrical system as well as cause a fire, resulting in serious injury.

BATTERY WARNINGS!

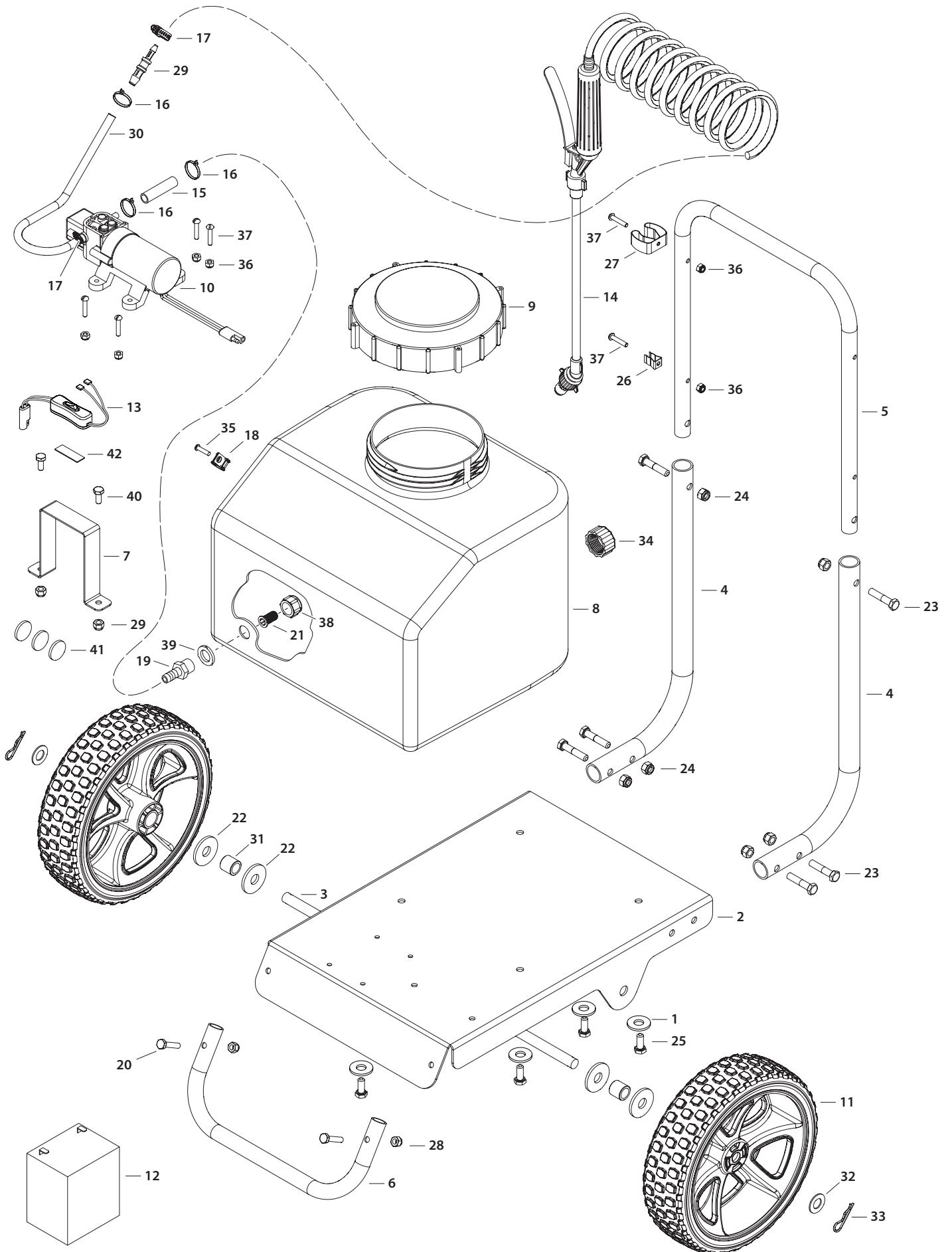
1. Using electrical components other than those supplied with the machine could cause the electrical system to overheat, explode, or start a fire.
2. Using the wrong type of battery or charger could cause a fire or explosion, resulting in serious injury.
3. Use the 12-volt charger supplied with the machine or a 12-volt, 2 amp max, substitute charger to charge the battery.
4. Use the charger only in dry locations. Avoid contact with water.
5. Only adults should handle the battery. It contains sulfuric acid (an electrolyte) and the battery is heavy; dropping it could result in serious injury.
6. Never allow children to charge the battery. The electricity involved in charging the battery could cause severe injury.
7. Examine the charger, its connectors, and the battery for excessive wear or damage each time you charge the battery. If you see any excessive wear or damage, do not use the charger or the battery, replace them.
8. Never lift or carry the battery by the cables or terminals. This can damage the battery and possibly start a fire, resulting in serious injury. Lift and carry the battery only by its case.
9. Do not short circuit the battery.

CHARGING THE BATTERY

Charging the battery is a simple process. Leave the battery in the 6-gallon Sprayer when you charge it.

1. Attach the black (-) wire terminal from the charger to the black (-) terminal of the battery, then attach the red (+) wire terminal to the red (+) battery terminal.
2. Plug the charger into a standard wall outlet.
 - Typically, the battery takes between 6 and 8 hours to fully charge.
 - Keep the battery fully charged and at room temperature when not using the sprayer.
 - Once the battery is charged, pull the plug from the wall outlet and then remove the charger from the battery.
 - Store the charger in its self-locking plastic shipping bag. Keep the charger in a dry location.
 - If the battery does not hold its charge under normal conditions replace it.

Purchase replacement batteries directly from Agri-Fab. To install the new battery, detach the cables, remove the battery clamp, and remove the dead battery. Install the new battery, replace the battery clamp, and attach the cables.



45-0595

| REF | QTY | PART NO | DESCRIPTION | REF | QTY | PART NO | DESCRIPTION |
|-----|-----|-----------|-------------------------------|-----|-----|-----------|---------------------------------|
| 1 | 4 | R19111116 | Washer, .343 X .687 X .0673 | 22 | 4 | R19172410 | Washer, .531 X 1.5 X .134 |
| 2 | 1 | 2-409BL3 | Baseplate | 23 | 6 | 43085 | Bolt, Hex 5/16-18 X 1-1/2 G5 |
| 3 | 1 | 2-410 | Axle | 24 | 6 | 47810 | Nut, Hex .312-18 Nyloc |
| 4 | 2 | 2-412BL3 | Tube, Lower Handle | 25 | 4 | 43182 | Bolt, Hex 5/16-18 X 3/4 GR5 |
| 5 | 1 | 2-413BL3 | Tube, Upper Handle | 26 | 1 | 45180 | Clip, Small Spray Gun |
| 6 | 1 | 2-414BL3 | Tube, Kickstand | 27 | 1 | 47397 | Clip, Large Spray Gun |
| 7 | 1 | 2-476BL3 | Battery, Bracket | 28 | 4 | 47189 | Nut, Hex 1/4-20 Nyloc |
| 8 | 1 | 2-420 | Tank | 29 | 1 | 4-33 | Reducer, Barbed 3/8" To 1/4" |
| 9 | 1 | 46700 | Lid, Tank 15 Gal | 30 | 1 | 2-418 | Hose, .375" ID X 14.00" |
| 10 | 1 | 42701 | Pump, (Delavan 2200-201) | 31 | 2 | 28324 | Spacer, .510 ID X .750 OD X .70 |
| 11 | 2 | 41863 | Wheel & Tire Assy, Idle Flat | 32 | 2 | R19171616 | Washer, .531 X 1 X .059 |
| 12 | 1 | 2-475 | Battery, Sla 12V-5AH | 33 | 2 | 47134 | Pin, Hair Cotter .08 X 1.58 |
| — | 1 | DR378541 | Charger, Battery | 34 | 1 | 48719 | Cap, 25 Gal Tank (w/Lanyard) |
| 13 | 1 | 2-497 | Wiring Harness w/Switch | 35 | 1 | 47078 | Screw, PH 10-24 X 3/4 PL |
| 14 | 1 | 2-494 | Ass'y, Spray Gun | 36 | 6 | 4-31 | Nut, #10 - 24 Nyloc |
| 15 | 1 | 2-416 | Hose, .375" ID X 1.87" L | 37 | 6 | 45069 | Screw, PH 10-24 X 1 PL |
| 16 | 3 | 726-0178 | Tie, Nylon (Cable) T50R | 38 | 1 | 45037 | Nut, 11/16 Nyloc Spcl |
| 17 | 2 | 4-35 | Clamp, Band | 39 | 1 | 45072 | Gasket, 3/4" Garden Hose |
| 18 | 1 | 4-11 | Clamp, Rubber Sleeve | 40 | 2 | 43866 | Bolt, Hex 1/4-20 X 5/8 GR5 |
| 19 | 1 | 2-419 | Fitting, Bulkhead 3/8" ID | 41 | 3 | 48661 | Bumper, Rubber (Adhesive Back |
| 20 | 2 | 1509-90 | Bolt, Hex 1/4-20 X 1-1/4 GR5 | 42 | 1 | 2-495 | Tape, Double Stick |
| 21 | 1 | 45029 | Strainer, Screen Type (NS-50) | | 1 | 3-207 | Owners Manual |

SpeedPart *the fastest way to purchase parts* www.speedepart.com

REPAIR PARTS

Agri-Fab, Inc.
809 South Hamilton
Sullivan, IL. 61951
217-728-8388
www.agri-fab.com