

DR® 11.5 CHIPPER SHREDDER

SAFETY & OPERATING INSTRUCTIONS



Serial No. _____

Order No. _____

DR Power Equipment
Toll-free phone: 1-800-DR-OWNER (376-9637)
Fax: 1-802-877-1213
Website: www.DRpower.com

WARNING

Read and understand this manual and all instructions before operating the DR 11.5 CHIPPER SHREDDER.

Table of Contents

Chapter 1: General Safety Rules..... 4

Chapter 2: Setting Up the DR 11.5 CHIPPER SHREDDER 8

Chapter 3: Operating the DR 11.5 CHIPPER SHREDDER 13

Chapter 4: Maintaining the DR 11.5 CHIPPER SHREDDER..... 17

Chapter 5: Troubleshooting 25

Chapter 6: Parts Lists and Schematic Diagrams..... 28

Conventions used in this manual

DANGER

This indicates a hazardous situation, which, if not followed, will result in death or serious injury.

WARNING

This indicates a hazardous situation, which, if not avoided, could result in death or serious injury.

CAUTION

This indicates a hazardous situation, which, if not avoided, could result in minor or moderate injury.

NOTICE

This information is important in the proper use of your machine. Failure to follow this instruction could result in damage to your machine or property.

Serial Number and Order Number

A Serial Number is used to identify your machine and is located on the Serial Number Label on your machine (**Figure 1**). An Order Number is used to check and maintain your order history and is located on the upper left portion of your packing slip. For your convenience and ready reference, enter the Serial Number and Order Number in the space provided on the front cover of this manual.

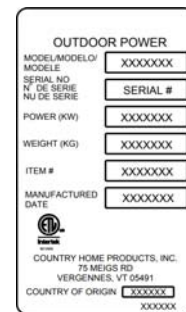


Figure 1

Additional Information and Potential Changes

DR Power Equipment reserves the right to discontinue, change, and improve its products at any time without notice or obligation to the purchaser. The descriptions and specifications contained in this manual were in effect at printing. Equipment described within this manual may be optional. Some illustrations may not be applicable to your machine.

California Proposition 65

 **WARNING**
CANCER AND REPRODUCTIVE HARM - www.P65Warnings.ca.gov.


Chapter 1: General Safety Rules


WARNING

Read this Safety & Operating Instructions Manual before you use the DR 11.5 CHIPPER SHREDDER. Become familiar with the operation, service, loading/unloading, and storage recommendations to ensure the best performance from your machine. If you have any questions or need assistance, please contact us at www.DRpower.com or call Toll-Free 1-800-DR-OWNER (376-9637) and one of our Technical Support Representatives will be happy to help you.

Labels

Your DR 11.5 CHIPPER SHREDDER carries prominent labels as reminders for its proper and safe use. Shown below are copies of all the Safety and Information labels that appear on the equipment. Take a moment to study them and make a note of their location on your CHIPPER SHREDDER as you set up and before you operate the unit. Replace damaged or missing Safety and Information labels immediately.

 **CAUTION**


Maximum Thickness (Actual Size)

- **NEVER SHRED** woody material larger than 3/4" diameter total
- **DO NOT FEED** material in faster than the machine discharges
- **SHUT-OFF ENGINE** if material is not discharging or engine is struggling, **CLEAN** out the clog
- **ALTERNATE** wet/green materials with dry ones to avoid clogging

10000026298

#10000026298

WARNING: Check Oil Before Starting Engine

#13758



#38669



#18887

 **DANGER**

AVOID SERIOUS INJURY OR DEATH 392821

- **READ** and understand the operator's manual and all labels before starting.
- **NEVER** run the engine without the blowback guards and discharge guard in place.
- Rotating cutting blades. **KEEP** hands and feet out of the inlet hopper/chute and **KEEP** hands and feet away from the discharge area when the engine is running.
- **ALWAYS** shut engine off, remove spark plug, and wait for all moving parts to stop before servicing or to clear a clog.
- **KEEP** bystanders, children, and pets at least 100 feet from the work area.
- **ALWAYS** wear safety glasses and gloves and **AVOID** loose fitting clothing when operating this machine.

 **DANGER**

AVOID SERIOUS INJURY OR DEATH

- **NEVER** run the engine without the blowback guards and discharge guard in place.
- Rotating cutting blades. **KEEP** hands and feet out of the inlet hopper/chute and **KEEP** hands and feet away from the discharge area when the engine is running.
- **ALWAYS** shut engine off, remove spark plug, and wait for all moving parts to stop before servicing or to clear a clog.

392831

#39283

Protecting Yourself and Those Around You

WARNING

This is a high-powered machine, with moving parts operating with high energy. You must operate the machine safely. Unsafe operation can create a number of hazards for you, as well as anyone else in the nearby area. This machine can crush, grind, cut, and sever parts of your body if they enter the inlet or discharge area of your CHIPPER SHREDDER. Always take the following precautions when using this machine:

- Keep in mind that the operator or user is responsible for accidents or hazards occurring to other people, their property, and themselves.
 - Always wear protective goggles or safety glasses with side shields while using the CHIPPER SHREDDER to protect your eyes from possible thrown debris.
 - Avoid wearing loose clothing or jewelry, which can catch on moving parts or the material fed into the CHIPPER SHREDDER.
 - We recommend wearing gloves while using the CHIPPER SHREDDER. Be sure your gloves fit properly and do not have loose cuffs or drawstrings.
 - Wear shoes with non-slip treads when using your CHIPPER SHREDDER. If you have safety shoes, we recommend wearing them. Do not use the machine while barefoot or wearing open sandals.
 - Wear long pants while operating the CHIPPER SHREDDER.
 - Use ear protectors or earplugs rated for at least 20 dba to protect your hearing.
 - Keep bystanders at least 100 feet away from your work area. Stop the engine when another person or pet approaches.
-

Safety for Children and Pets

WARNING

Tragic accidents can occur if the operator is not alert to the presence of children and pets. Children are often attracted to the machine and the chipping/shredding activity. *Never* assume that children will remain where you last saw them. Always follow these precautions:

- Keep children and pets at least 100 feet from the working area and ensure they are under the watchful care of a responsible adult.
 - Be alert and turn the machine off if children or pets enter the work area.
 - Never allow children to operate the CHIPPER SHREDDER.
-

Safety with Gasoline - Powered Machines

WARNING

Gasoline is a highly flammable liquid. Gasoline also gives off flammable vapor that can be easily ignited and cause a fire or explosion. Never overlook the hazards of gasoline. Always follow these precautions:

- Never run the Engine in an enclosed area or without proper ventilation as the exhaust from the Engine contains carbon monoxide, which is an odorless, tasteless, and deadly poisonous gas.
 - Store all fuel and oil in containers specifically designed and approved for this purpose. Keep away from heat, open flames, and out of the reach of children.
 - Replace rubber Fuel Lines and Grommets when worn or damaged and after 5 years of use.
 - Fill the Gasoline Tank outdoors with the Engine off and allow the Engine to cool completely first. Don't handle gasoline if you or anyone nearby is smoking or if you're near anything that could cause it to ignite or explode. Reinstall the Fuel Tank Cap and Fuel Container Cap securely.
 - If you spill gasoline, do not attempt to start the Engine. Move the machine away from the area of the spill and avoid creating any source of ignition until the gas vapors have dissipated. Wipe up any spilled fuel to prevent a fire hazard and properly dispose of the waste.
-

Safety with Gasoline - Powered Machines (Continued)

WARNING

- To safely store, allow the Engine to cool completely before moving into any enclosure. Never store a machine that has gas in the tank, or a Fuel Container, near an open flame or spark such as a water heater, space heater, clothes dryer, or furnace.
- Never make adjustments or repairs with the Engine running. Shut down the Engine and wait 5 minutes for parts to cool. Disconnect the Spark Plug wire, keeping it away from the Spark Plug, to prevent accidental starting before making adjustments or repairs.
- Never tamper with the Engine's Governor setting. The Governor controls the maximum safe operation speed and protects the Engine. Over-speeding the Engine is dangerous and will cause damage to the Engine and to the other moving parts of the machine. If required, see your authorized dealer for Engine governor adjustments.
- Keep combustible substances away from the Engine when it is hot.
- Never cover the machine while the Muffler is still hot.
- Do not operate the Engine with the Air Cleaner or the Carburetor Air Intake Cover removed. Removal of such parts could create a fire hazard. Do not use flammable solutions to clean the Air Filter.
- The Muffler and Engine become very hot and can cause a severe burn; do not touch.

General Safety

WARNING

Operating this CHIPPER SHREDDER safely is necessary to prevent or minimize the risk of death or serious injury. Unsafe operation can create a number of hazards for you. Always take the following precautions when operating this machine:

- Your CHIPPER SHREDDER is a powerful tool, not a plaything. Exercise extreme caution at all times. The machine is designed to chip wood and shred most organic materials. Do not use it for any other purpose.
- Thoroughly inspect the area in which you will be working and remove all foreign objects. Look for rope, wire, etc., and remove these objects before chipping/shredding. Inserting these objects into the CHIPPER SHREDDER Hopper could damage the machine and/or cause injury.
- Know how to stop the CHIPPER SHREDDER quickly; see "Stopping the Engine" in Chapter 3.
- Never operate your unit on a slippery, wet, muddy, or icy surface. Exercise caution to avoid slipping or falling.
- See manufacturer's instructions for proper operation and installation of accessories. Only use accessories approved by DR Power Equipment.
- Never use the machine without ensuring that all guards and shields are in place.
- Never, under any conditions, remove, bend, cut, fit, weld, or otherwise alter standard parts on the CHIPPER SHREDDER. This includes all shields and guards. Modifications to your machine could cause personal injuries, property damage, and will void your warranty.
- Never use the machine with the Chipper Chute, Shredder Hopper, Blowback Guards, or Discharge Deflector removed.
- Never place any part of your body in the Chipper Chute, Shredder Hopper, discharge opening, or near any moving part while the machine is running. Keep the area of discharge clear of anything that will obstruct a clear discharge. Wind can also change discharge direction, so be aware. If it becomes necessary to push material into the Chipper Chute or Shredder Hopper, use a small diameter stick, NOT YOUR HANDS.
- Keep your face and body back from the Chipper Chute and Shredder Hopper to avoid accidental bounce back of any material.
- Do not allow an accumulation of processed material to build up in the discharge area as this will prevent proper discharge and could result in kickback.
- Allow only one person to operate the CHIPPER SHREDDER at any time.
- Always operate the machine from the Operator Zone (see **Figure 7** on page 13). Never pass or stand on the discharge side of the machine when the Engine is running or the Flywheel is turning.
- If the machine starts making an unusual noise or vibration, Shut down the Engine and wait 5 minutes for parts to cool, disconnect the Spark Plug wire, keeping it away from the Spark Plug to prevent accidental starting before making adjustments or repairs. Vibration is generally a warning of trouble. Check for damaged parts and clean, repair, and/or replace as necessary.
- Never tamper with safety devices. Check their proper operation regularly.

General Safety (continued)

WARNING

- Never try to pick up, move, or transport the machine while the Engine is running or the Flywheel is turning.
 - For safe loading up ramps carefully PULL the machine with the Shredder Hopper hand holds. For safe unloading down ramps, guide the machine from behind with the hand holds so it goes down the ramps and you follow.
 - Before performing any maintenance or inspection procedure on the CHIPPER SHREDDER, shut down the Engine, wait 5 minutes for machine to cool, remove the Spark Plug Wire keeping it away from the Spark Plug.
 - Never allow people who do not understand and/or have not read this Safety and Operating Instructions Manual to use the CHIPPER SHREDDER. Allow only responsible individuals who are familiar with these rules of safe operation to use your machine.
 - Never overload or attempt to Chip or Shred material beyond the manufacturer's recommendation. Personal injury or damage to the machine could result.
 - While using the CHIPPER SHREDDER, don't hurry or take things for granted. When in doubt about the equipment or your surroundings, stop the machine and take the time to look things over.
 - Never operate the machine when under the influence of alcohol, drugs, or medication.
 - Use the machine only in daylight.
 - Stay alert for hidden hazards or traffic.
 - Keep all nuts and bolts tight and keep the equipment in good operating condition.
-

A Note to All Users

Under California law, and the laws of some other states, you are not permitted to operate an internal combustion engine using hydrocarbon fuels without an Engine Spark Arrester. This also applies to operation on US Forest Lands. All DR Chippers w/Shredder shipped to California, New Mexico, and Washington State are provided with Spark Arresters. Failure of the owner or operator to maintain this equipment in compliance with state regulations is a misdemeanor under California law and may be in violation of other state and/or federal regulations. Contact your State Park Association or the appropriate state organization for specific information in your area.

No list of warnings and cautions can be all-inclusive. If situations occur that are not covered by this manual, the operator must apply common sense and operate this DR 11.5 CHIPPER SHREDDER in a safe manner. Contact us at www.DRpower.com or call Toll Free: 1-800-DR-OWNER (376-9637) for assistance.

Chapter 2: Setting Up the DR 11.5 CHIPPER SHREDDER

It may be helpful to familiarize yourself with the controls and features of your DR 11.5 CHIPPER SHREDDER as shown in **Figure 2** before beginning these procedures. If you have any questions at all, please feel free to contact us at www.DRpower.com.

DR 11.5 CHIPPER SHREDDER Controls and Features

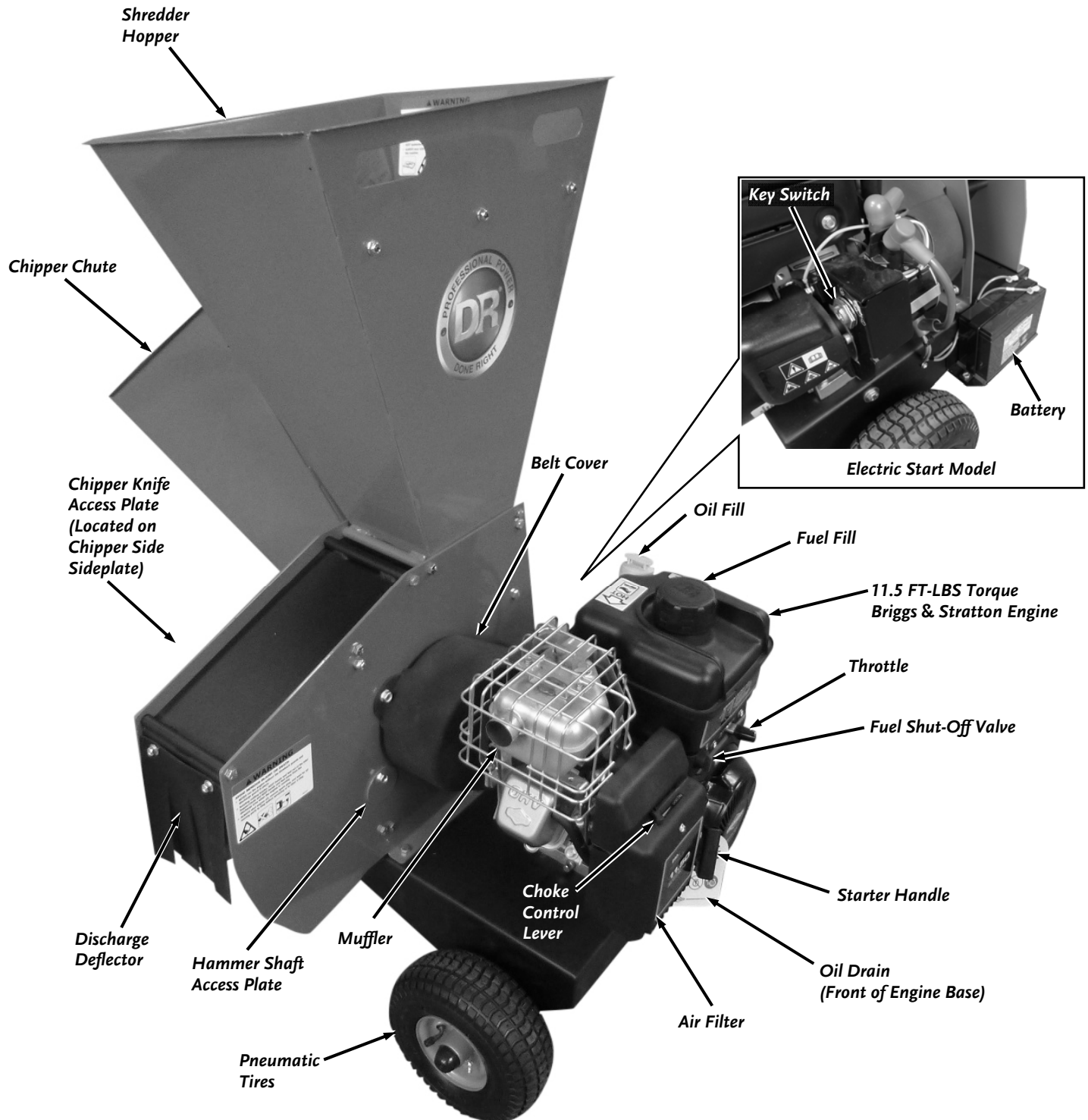


Figure 2

Specifications

Model	11.5 Chipper Shredder
Engine	Briggs & Stratton (See engine manual.)
Gross Torque	11.50 Ft-Lbs
Starting	Manual or Electric w/ Recoil Backup
RPM	3500
Chipping Capacity	4" Max Diameter Branches
Shredding Capacity	3/4" Max Diameter Woody Material
Chipper Knife	Hardened Tool Steel, 4.75" x 1.25" x .28"
Shredding Hammers	12 Hardened Steel (8 Flat and 4 J)
Discharge Screen	1" Diameter Holes
Belt	V-Belt, B27, Wrapped Construction
Wheels	9/3.5 x 4, Pneumatic, 4 Ply
Unit Weight	171 Lbs M/S, 186 Lbs E/S
Dimensions	34.5" L x 28.8" W x 46" H
Pin Hitch Towing	Optional Accessory

Assembly

Parts Supplied in Shipping Box:

- 11.5 CHIPPER SHREDDER Power Unit
- Shredder Hopper
- Product Pack:
 - Safety and Operating Instructions Manual
 - Engine Manual
 - Hardware (listed below)

Hardware in Product Package:

Part#	Description	Qty
38640	Bolt, HCS, 5/16-18 X 6", GR5, ZP	2
11076	Nut, Nylon Lock, 5/16-18, ZP	2

Tools needed:

- Two 1/2" Wrenches

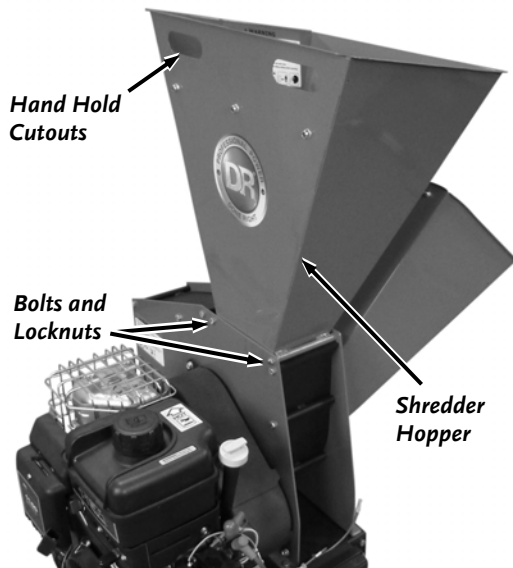


Figure 3

Attaching the Shredder Hopper

1. Position the Shredder Hopper onto the Power Unit with the hand hold cutouts facing the engine side (**Figure 3**).
2. Secure the Shredder Hopper with the two 5/16-18 X 6" Bolts and Locknuts from the Product Package using two 1/2" Wrenches.

Adding Oil and Gasoline

NOTICE

- You **MUST** add oil before starting the Engine. This machine is shipped without oil. Traces of oil may be in the reservoir from factory testing, but you **MUST** add oil before starting the Engine. Fill the reservoir slowly, checking the level frequently to avoid overfilling.
- To get an accurate reading when checking the oil level:
 - The Engine **MUST** be level.
 - Refer to the Engine Manual for detailed information before performing the following procedures.

Engine Oil	SAE 30: above 50 degrees F; 10w-30: 10-90 degrees F; 5w-30: 30 degrees F or below
Fuel	Unleaded gasoline (See Engine Manual) Note: With no more than 10% Ethanol

Note: Use only the recommended high detergent Engine oil. Other types of oil could cause problems operating your machine. Please refer to your Engine Owner's Manual for more detailed oil information.

1. Position the machine so the Engine is level. Remove the Oil Fill/Dipstick (**Figure 4**).
2. Initially add half of the oil recommended by the Engine Manufacturer. Wait one minute for the oil to settle.
3. Check the Oil level on the Dipstick as described in the Engine Manual.
4. Continue adding a few ounces of oil at a time, rechecking the level until the oil reaches the full level as indicated in the Engine Manual. Be careful not to overfill.
5. Replace the Oil Fill/Dipstick when full.
6. Remove the Fuel Fill Cap and fill the Fuel Tank with fresh, unleaded gas (with a minimum of 85 Octane) to approximately 1" to 1-1/2" below the top of the Fill Neck to allow for Fuel expansion. Be careful not to overfill and reinstall the Fuel Fill Cap before starting the Engine. See your Engine Owner's Manual for more detailed information.

Note: To refill the Fuel Tank, turn the Engine OFF, and let the Engine cool at least five minutes before removing the Fuel Fill Cap.

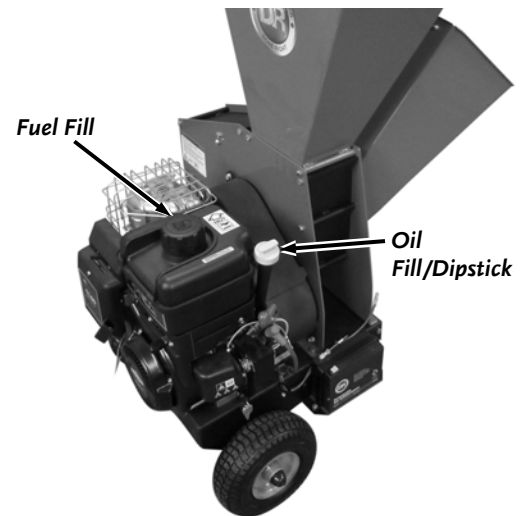


Figure 4

Check the Tire Pressure

Tools Needed:

- Tire Pressure Gauge
- Air Compressor or Hand Pump

1. Remove the Valve Stem Protective Cap (**Figure 5**) and check the Tire pressure with a Tire Pressure Gauge.
2. Check the manufacturers recommended pressure that is stamped on the side of the Tire.

⚠ WARNING

Do not over inflate the Tires. Inflate to the manufacturers recommended pressure.

3. If the pressure is too low, add air through the Valve Stem with an Air Compressor or Hand Pump.
4. Replace the Valve Stem Protective Cap when finished.



Figure 5

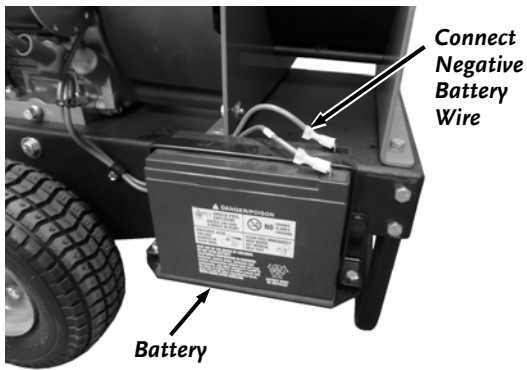


Figure 6

Connecting the Battery Wire (Electric Start Models)

We ship all Electric Start DR CHIPPER SHREDDERS with the green negative terminal Battery Wire disconnected. This prevents the Battery from discharging during shipment. Before using your DR CHIPPER SHREDDER, you must connect the Battery Wire.

1. Remove the Protective Cap from the Negative Battery Terminal if one is installed (**Figure 6**).
2. Insert the Negative Wire Connector onto the Negative Terminal of the Battery.

Chapter 3: Operating the DR 11.5 CHIPPER SHREDDER

This chapter covers the procedures for starting and stopping your new DR 11.5 CHIPPER SHREDDER and discusses basic operation features. It may be helpful to better familiarize yourself with the features of your CHIPPER SHREDDER by reviewing **Figure 2** in Chapter 2 before beginning the steps outlined in this chapter.

! WARNING

Read and understand the warnings listed in “Chapter 1 General Safety Rules” before operating this CHIPPER SHREDDER.

Before You Begin

- Visually check the Chipper Knife for damage each time you use the machine.
- ALWAYS operate the DR 11.5 CHIPPER SHREDDER from the Operator Zones (**Figure 7**).
- When viewed from the Chipper Chute side the Flywheel turns in a clockwise direction.
- ALWAYS stop the Engine when leaving the Operating Zone or when moving the machine.

Starting the Engine (Manual Start)

Note: See next page for electric start.

1. Check the Oil and Fuel level every time you use the DR 11.5 CHIPPER SHREDDER.
2. Check the Shredder Hopper, Chipper Chute, and Discharge Guard and remove any debris buildup from the machine as described on page 16.
3. Rotate the Fuel Shut-Off Valve counter clockwise to its OPEN position (**Figure 8**).
4. Move the Choke Control Lever to the right to the Choke position (leave in the Run position to the left if the Engine is already warm).
5. Move the Throttle Control Lever to about half way between Slow (turtle) and Fast (rabbit) Position.
6. Grasp the Recoil Starter Handle and slowly pull until you feel resistance, then pull the cord rapidly to start the Engine. One or two pulls will usually start the Engine.
7. As the Engine warms up, slowly adjust the Choke to the left towards the Run position. Wait until the Engine runs smoothly before each Choke adjustment.
8. When the Engine is warmed up and running smoothly, ensure that the Choke is fully to the left and the Throttle Control Lever is fully to the Fast (rabbit) Position for Chipping and Shredding.

Note: The Throttle should always be fully to the right when Chipping/Shredding.

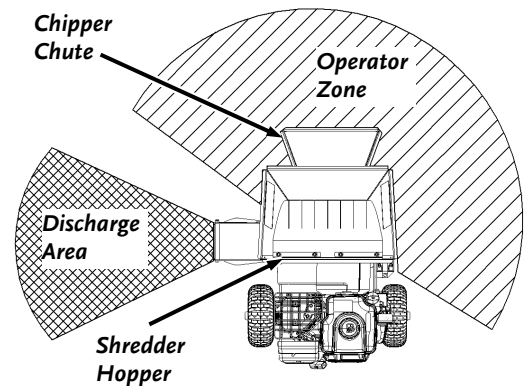


Figure 7

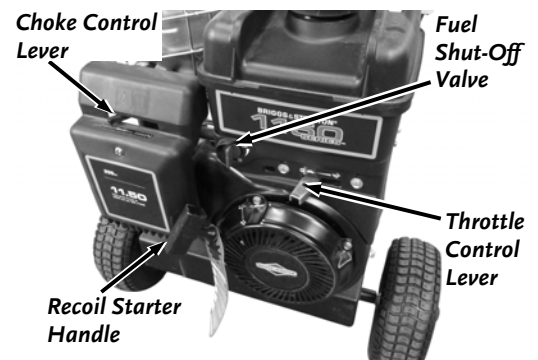


Figure 8

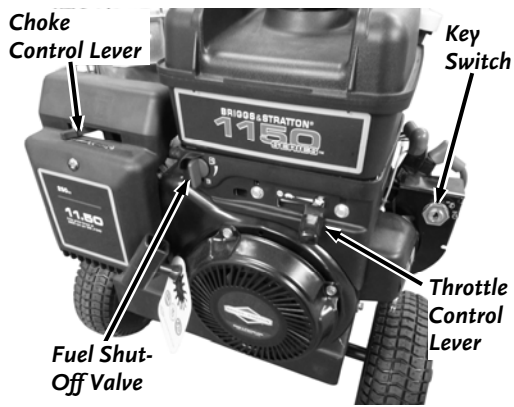


Figure 9

Starting the Engine (Electric Start)

1. Check the Oil and Fuel level every time you use the DR 11.5 CHIPPER SHREDDER.
2. Check Inlet Hoppers and Discharge Chute and remove any debris buildup from the machine by following the instructions on page 16.
3. Rotate the Fuel Shut-Off Valve counter clockwise to its OPEN position (**Figure 9**).
4. Position the Choke Control Lever to the right so it is in the Choke position (Leave it in the RUN position to the left if the Engine is already warm).
5. Move the Throttle Control Lever to about half way between Slow (turtle) and Fast (rabbit) Position.
6. Turn the Key to the START position until the Engine starts, then release. The Key will snap back to the RUN position and the Engine will continue to run

Note: Electric Start Engines can also be started with the Recoil Starter Handle as described in the “Manual Start” section.

7. As the Engine warms up, slowly move the Choke to the left. Wait until the Engine runs smoothly before each Choke adjustment.
8. When the Engine is warmed up and running smoothly, ensure that the Choke is fully to the left and the Throttle Control Lever is fully to the Fast (rabbit) Position for Chipping and Shredding.

Note: The Throttle should always be fully to the right when Chipping/Shredding.


Stopping the Engine

Move the Throttle Control Lever all the way to the left past the SLOW (Turtle) position to the “STOP” position (manual start models) or turn the Key to the off position (electric start models) (**Figure 9**).

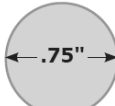
Note: Close the Fuel Shut-Off Valve when transporting or storing the DR 11.5 CHIPPER SHREDDER.

Important Processing Information

Follow all Danger, Warning, Caution and Notice labels when using your machine. For best performance and safety, pay close attention to the Caution Label on the inside of the Shredder Hopper (see below).



CAUTION



Maximum Thickness
(Actual Size)

- **NEVER SHRED** woody material larger than 3/4" diameter total
- **DO NOT FEED** material in faster than the machine discharges
- **SHUT-OFF ENGINE** if material is not discharging or engine is struggling, **CLEAN** out the clog
- **ALTERNATE** wet/green materials with dry ones to avoid clogging

10000026298

Using the Chipper Chute

The Chipper can chip twigs and branches ranging in size from 1/2" to 4" in diameter. Cut your materials into manageable lengths before feeding them into the Chipper Chute. The revolving Chipper Knife mounted on a Flywheel turns branches fed into the Chute into "chips". NOTE: Use the Shredder Hopper as described in the next section for hard wood branches less than 3/4" in diameter and softer organic material up to 4-1/2" in diameter.

- Hold onto and slowly feed material into the Chipper Chute. Do not force material or allow material to be pulled too quickly into the Chipper.
- Larger diameter hardwood or extremely hard knots may not process as well as other materials. Discard larger diameter or harder branch stubs before they become too short to control their feed rate.
- Keep a moderate feed rate to prevent overloading the machine. Overloading the Chipper Chute will cause the Engine speed to decrease and may result in clutch failure.
- Your Chipper can process dry or green material. Green material will process quicker and easier than dry material. Soft wood processes easier than hard wood.
- If the machine does not chip well, the Chipper Knife may need sharpening or may need to be replaced.
- It is best to trim off any side twigs from the main branch that you are chipping.
- When chipping branches, sometimes a tail will remain at the end of a branch. To avoid this, rotate the branch while feeding it into the Chipper Chute. Rotating the branch as you feed it into the machine will improve chipping performance.
- Use caution with small diameter green saplings and branches less than 1" in diameter. Chip these grouped or bundled together to provide support for each other. If the material is 1" or larger, feed only one at a time into the Chipper Chute.
- Shred green or very leafy material smaller than 3/4" diameter (like pine boughs) through the Shredder Hopper instead of the Chipper Chute.

Using the Shredder Hopper

The Shredder Hopper can process hard wood branches up to 3/4" in diameter and softer organic material up to 4-1/2" in diameter. You can shred most organic materials. A Guard (flap) is attached to the Hopper. Material must go past this flap in order to enter the main Shredding Chamber where revolving steel Hammers do the shredding. Use a Stick to push the material past the flap if needed.

WARNING

The Hammers within the Shredding Chamber can tug suddenly at material fed into the Shredder Hopper. Wear Gloves and do not hold on tightly to branches and vines and do not feed material straight down into the Hopper with your arm pointing downward toward the opening. Instead, keep your arms parallel to the ground and several inches above the top edge of the Hopper as you drop the material into the opening.

- Due to the wide variety of materials that you can shred and their different physical characteristics, only feed limited quantities of any material into the Shredder Hopper at first. Increase the amount and length of material if you find that the material is processing without any difficulty. Your judgment and operator experience is very important.
- ALWAYS pay attention to the discharge to confirm that material is exiting the machine at the same rate it is entering. If material builds up inside the cutting chamber instead of discharging - stop feeding more material and wait for the material to discharge. If the material does not discharge, see the "Removing a Clog" section of your DR Chipper Shredder Safety and Operating Instruction manual.
- Be sure not to overload the machine by feeding too much material into the Hopper at one time. If you hear the speed of the Engine decreasing, stop feeding material into the machine at once. Do not resume feeding the machine until the Engine has returned to full speed.
- You can feed several small branches into the Shredder Hopper at once providing their combined diameter is less than 3/4". Cut branches so they are shorter than 3 feet long to make them more manageable.
- Allow green materials to dry before processing or alternate processing and discharging green/wet materials with dry materials to avoid clogging. If wet materials begin to clog, shred a stick to clear the material through. If the clog still is not cleared, see the "Removing a Clog" section on the next page.

MATERIALS BEST SUITED FOR SHREDDING			
Leaves	Flowers	Corn Stalks	Roots
Soil	Palm frond tops	Grass clippings	Garden debris
Potato vines	Straw and Hay	Hedge clippings	Tomato vines
Manure	Kitchen Waste	Branches smaller than 3/4"	

General Warnings

⚠ CAUTION

- NEVER allow processed material to build up within 3" of the Discharge opening. Move the DR 11.5 CHIPPER SHREDDER or the pile as needed. Failure to do so could result in unnecessary jamming of the machine.
- To move a pile of processed material, first shut off the Engine, and use a spade, rake, or long handle tool; NEVER use your hands or feet!
- Make sure the DR 11.5 CHIPPER SHREDDER finishes processing and discharging material before shutting the Engine off.

Removing a Clog

1. Remove any material left in the Chipper Chute and Shredder Hopper with a wooden stick.

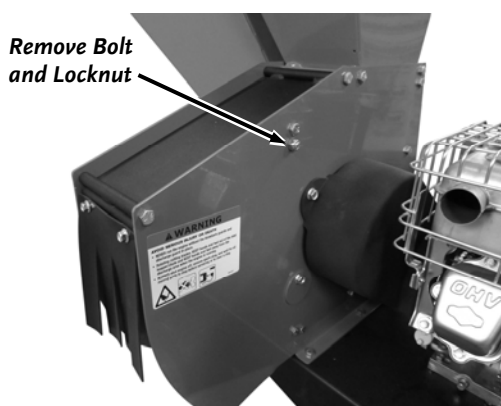


Figure 10

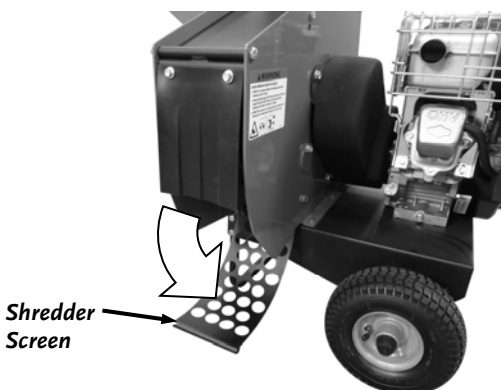


Figure 11

⚠ WARNING

Before performing any maintenance procedure or inspection, stop the Engine, wait five minutes to allow all parts to cool. Disconnect the Spark Plug Wire, keeping it away from the Spark Plug.

2. Remove the top Screen Bolt and Locknut using two 1/2" Wrenches (**Figure 10**).

3. Rotate the Screen down to gain access to the cutting chamber (**Figure 11**).

Note: If the Screen will not rotate down freely, the nearby bolts can be loosened slightly.

4. Clear all clogged material from the machine.
5. Rotate the Screen back into the operating position and reinstall the hardware. **Note:** Make sure the bolt goes through the screen rather than just behind it.
6. Start the machine and allow any remaining material to discharge.
7. If you have been shredding wet/green materials the clog may be near the shredder housing inlet. Shred a wood stick of up to 1" diameter to clear the clogged wet material.
8. If the clog does not clear repeat the above process.
9. Be certain the cutting chamber is clear before trying to process more material.

Chapter 4: Maintaining the DR 11.5 CHIPPER SHREDDER

Regular maintenance is the way to ensure the best performance and long life of your machine. Please refer to this manual and the Engine Manufacturer's Owner's Manual for maintenance procedures. Service intervals listed in the checklist below supersede those listed in the Engine Manufacturer's Owner's Manual.

WARNING

Before performing any maintenance procedure or inspection, stop the Engine, wait five minutes to allow all parts to cool. Disconnect the Spark Plug Wire, keeping it away from the Spark Plug.

Regular Maintenance Checklist

PROCEDURE	BEFORE EACH USE	EVERY 12 HOURS	EVERY 25 HOURS
Check Engine Oil Level	▲		
Check General Equipment Condition	▲		
Clean Engine Exterior & Cooling Fins	▲		
Inspect Knife for damage and sharpness	▲		
Check Air Filter, Clean or Replace as Needed	▲		
Check Tire Pressure	▲		
Check Belt Tension & Adjust as Needed	1 st time 5 hrs	▲	
Change Engine Oil	1 st time 5 hrs		▲
Check Knife Attachment Screws			▲
Check Hammers/Spacers for Wear, Reverse or Replace as Needed			▲
Inspect Spark Plug, Replace as Needed			▲

Removing and Replacing the Engine Oil

Tools and Supplies Needed:

- 1/4" Allen Wrench
- Rags and approved Container (for waste oil)
- Engine Oil (see your Engine Manual for Oil specifications)

Note: Drain the oil when the Engine is warm; warm oil drains quickly and completely.

1. Set the machine on a level surface, place an approved Waste Oil Container under the front of the unit between the wheels.
2. Remove the Oil Drain Plug at the front of the Engine using a 1/4" Allen Wrench allowing the used oil to drain completely through the drain hole and down into the Container (**Figure 12**).
3. Replace the Oil Drain Plug and refill with new oil through the Oil Fill/Dipstick (**Figure 13**). See "**Adding Oil and Gasoline**" on page 10.

Note: Be sure to use environmentally safe disposal procedures in the disposing of the used oil.

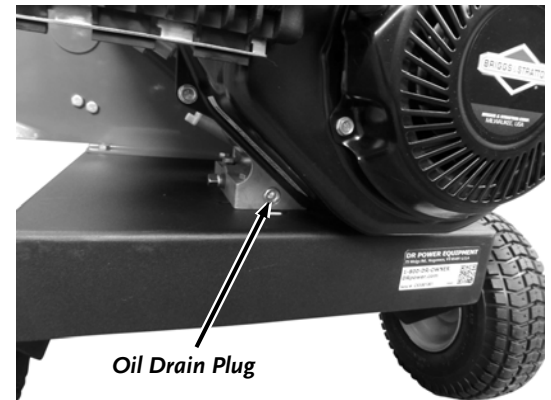


Figure 12

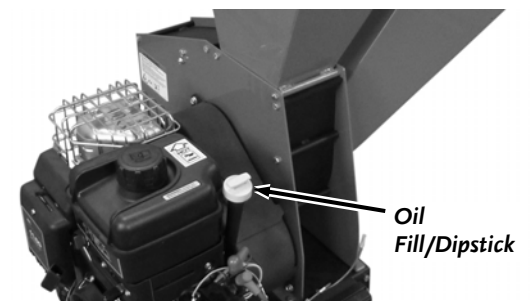
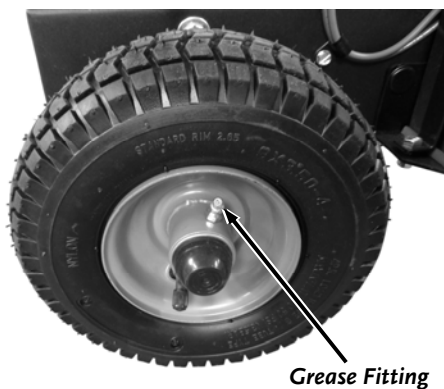


Figure 13



Grease Fitting

Figure 14

Greasing the Wheel Bearings

Tools and Supplies Needed:

- Grease Gun
- Lithium Grease
- Clean Cloth

1. Wipe all dirt, etc., from the Grease Fittings on both Wheels with a clean cloth (**Figure 14**).
2. Apply no more than three pumps of quality general-purpose lithium grease with a hand-pumped Grease Gun to the Grease Fitting on each Wheel.

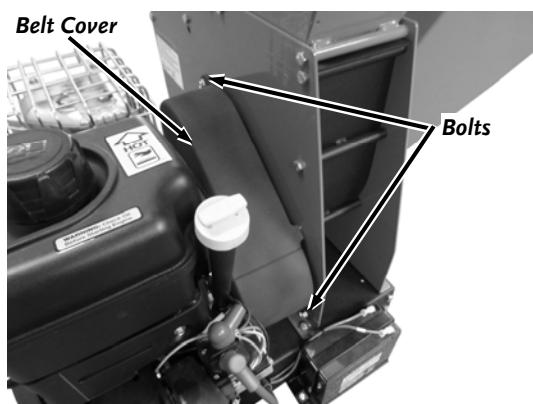


Figure 15

Checking and Adjusting Belt Tension

Tools and Supplies Needed:

- Two 1/2" Wrenches

1. Remove the two Bolts and Washers securing the Belt Cover using a 1/2" Wrench (**Figure 15**). Remove the Belt Cover.
2. Press down on belt with a finger to remove slack (**Figure 16**). This should take about 3-5 pounds of force. The belt should move 1/4" to 1/2" when tensioned properly. If the belt deflection is not within this range, follow Steps 3-7 to adjust the belt tension.
3. Loosen the two, left side Engine Mount Locknuts using a 1/2" Wrench (**Figure 17**).
4. Loosen the two, right side Engine Mount Bolts and Locknuts using two 1/2" Wrenches (**Figure 18**).
5. Adjust the Tension Bolt using a 1/2" Wrench (**Figure 17**) until the belt is at the correct tension as describe in Step 2.

Note: If the Tensioner Bolt has reached its limit and the Belt is still not tensioned properly, the belt has stretched beyond its service limit and must be replaced. To replace the belt, refer to the applicable steps in the following section "Replacing the Belt".

6. When the Belt tension adjustment is complete, tighten all four Engine Bolts, then retighten the Tension Bolt about 1/8 turn.

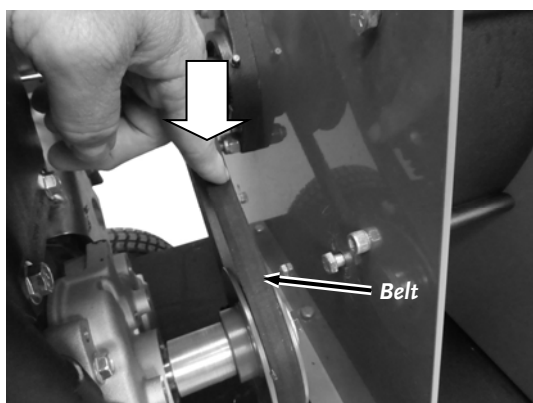


Figure 16

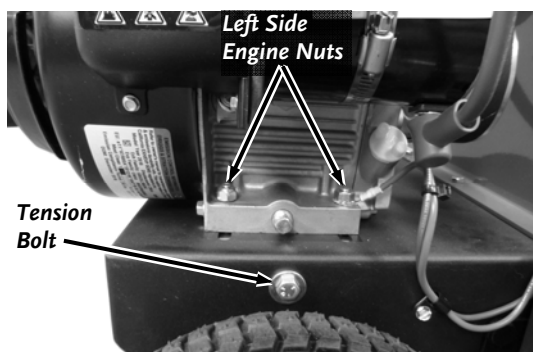


Figure 17

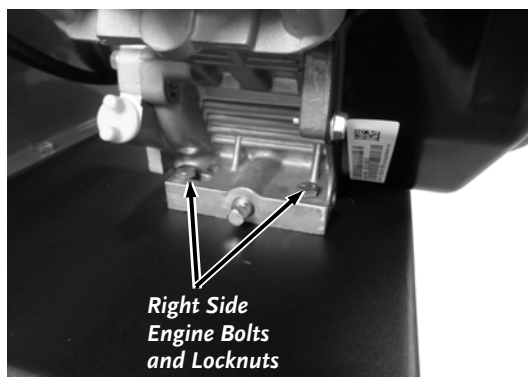


Figure 18

7. Reinstall the Belt Cover and secure with the two Bolts and Washers.

Note: Ensure the Belt Cover Tab is resting on top of the round Bolt Head and not below it before securing the Cover (Figure 19).

Replacing the Belt

1. Remove the two Bolts and Washers securing the Belt Cover using a 1/2" Wrench (Figure 20). Remove the Belt Cover.
2. Loosen the two, left side Engine Mount Locknuts using a 1/2" Wrench (Figure 21).
3. Loosen the two, right side Engine Mount Bolts and Locknuts using two 1/2" Wrenches (Figure 22).
4. Loosen the Tension Bolt using a 1/2" Wrench (Figure 21) until the belt can be removed from the Pulleys.
5. Install the new Belt onto the Pulleys (Figure 23) and refer to the applicable steps in the previous section "Checking and Adjusting Belt Tension" to tension the Belt properly.
6. When the Belt tension adjustment is complete, tighten all four Engine Bolts, then retighten the Tension Bolt about 1/8 turn.
7. Reinstall the Belt Cover and secure with the two Bolts and Washers.

Note: Ensure the Belt Cover Tab is resting on top of the round Bolt Head and not below it before securing the Cover (Figure 19).

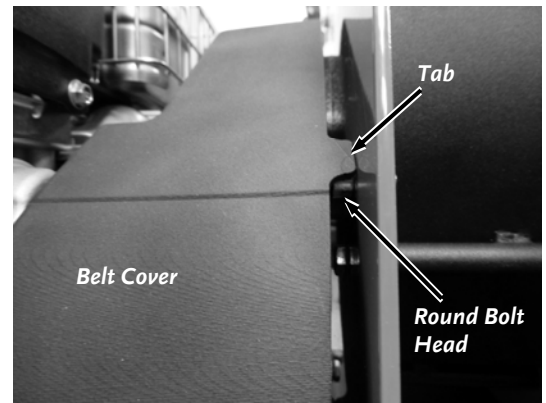


Figure 19

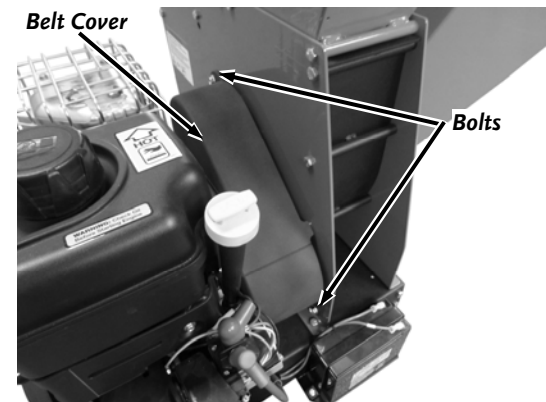


Figure 20

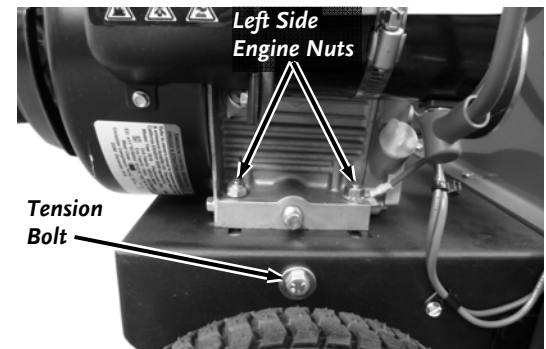


Figure 21

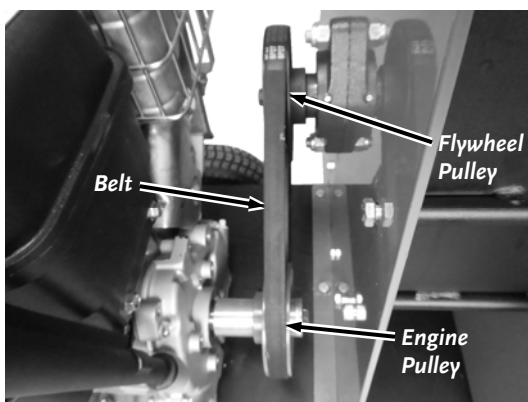


Figure 23

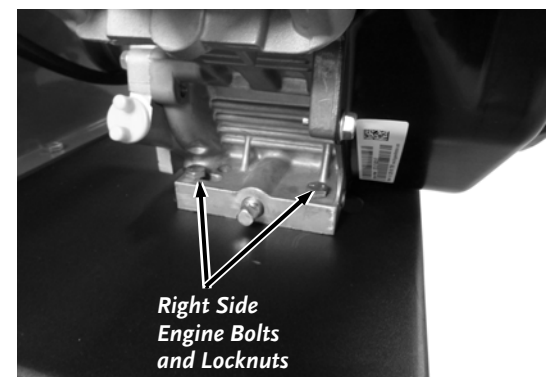


Figure 22

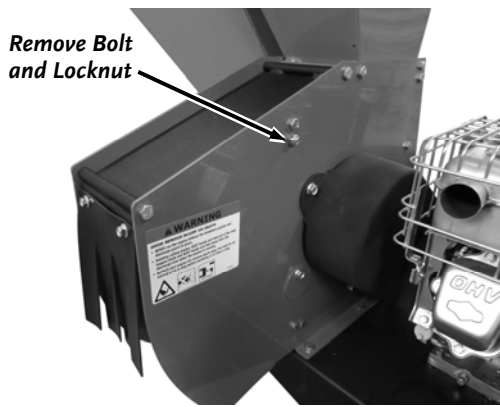


Figure 24

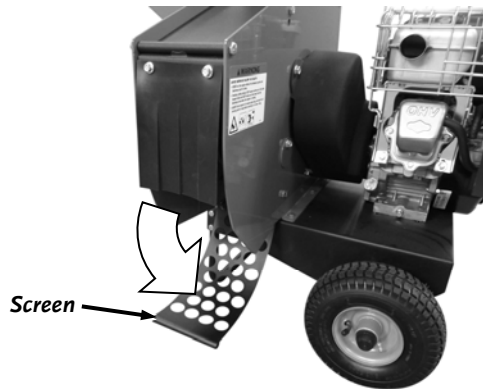


Figure 25

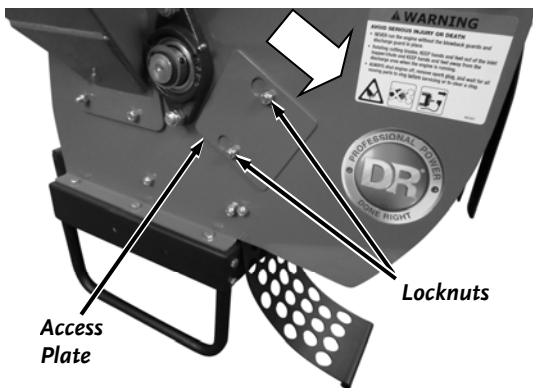


Figure 26

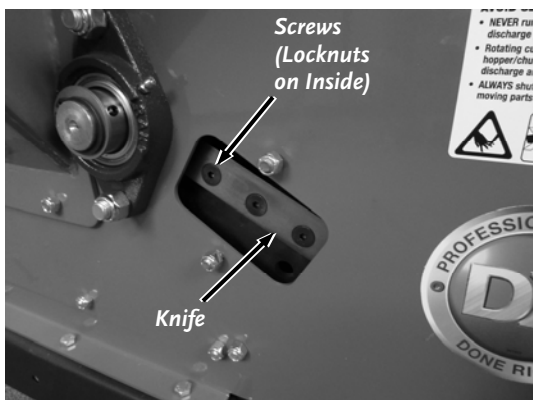


Figure 27

Replacing the Chipper Knife

The DR 11.5 CHIPPER SHREDDER is shipped with a sharp Chipper Knife and depending upon material being chipped we've found it can remain acceptably sharp for 40 plus hours. When you notice diminished feeding, it is time to replace the knife. You may also choose to have the knife sharpened instead as described on the next page.

Tools and Supplies needed:

- 1/2" Wrench
- 3/16" Allen Wrench
- Awl
- Gloves

1. Remove the top Screen Bolt and Locknut using two 1/2" Wrenches (**Figure 24**).
 2. Rotate the Screen down to gain access to the cutting chamber (**Figure 25**).
 3. Loosen the Locknuts on the Access Plate and slide it to the side and remove (**Figure 26**).
 4. Rotate the Flywheel until the Knife is centered in the opening (**Figure 27**).
 5. Clean out the heads of the Allen Screws with an awl or sharp tool.
 6. Insert a 3/16" Allen wrench into the head of the screws and a 1/2" Wrench on the Locknuts to remove the three Locknuts and Screws.
 7. Carefully remove the dull or damaged Knife and visually inspect the Knife mounting area and be sure they are clean. Metal burrs may need filing so that the replacement Knife will be able to mount flush against the Flywheel.
 8. Install a new or sharpened Knife and finger tighten the Allen Screws and Locknuts.
- Note:** New Allen Screws and Locknuts are provided with each new Chipper Knife.
9. Using a 3/16" Allen Wrench on the Screw and a 1/2" Wrench on the Locknut, tighten the hardware to secure the Chipper Knife.
 10. Double-check all three Screws for tightness one more time.
 11. Reinstall the Access Plate.
 12. Rotate the Screen back into the operating position and reinstall the hardware. **Note:** Make sure the bolt goes through the screen rather than just behind it.

Knife Sharpening

- You should never attempt to sharpen the Chipper Knife freehand; take the Knife to a machine shop for proper sharpening.
- It is extremely important to consistently maintain the 45-degree angle for proper performance.
- Excessive heat generated during the sharpening process will damage Knives and weaken the metal.
- How many times a Knife can be sharpened is determined by how much material needs to be taken off to sharpen or to compensate for dents or gouges.
- A new Chipper Knife has a $5/16$ " measurement between the short side bevel edge and the Knife mounting holes (**Figure 28**).

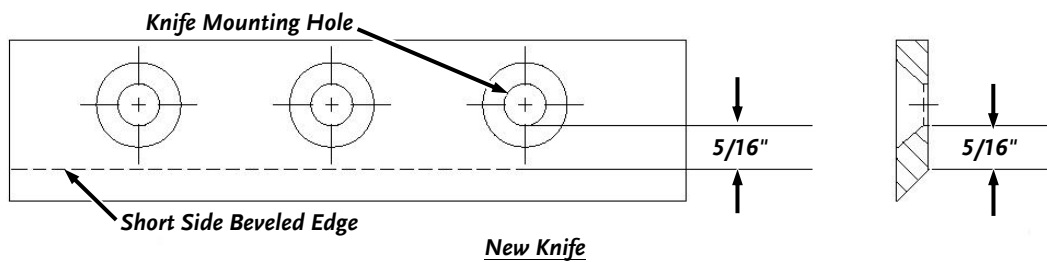


Figure 28

- The knife should never be sharpened to the extent that more than $3/32$ " is taken off this measurement.
- Once this measurement is below $7/32$ " (**Figure 29**), or if you are unable to remove dents or gouges with these guidelines, replace the Knife.

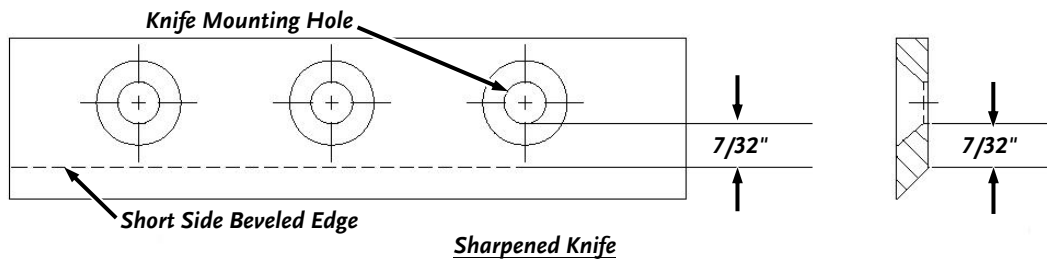


Figure 29

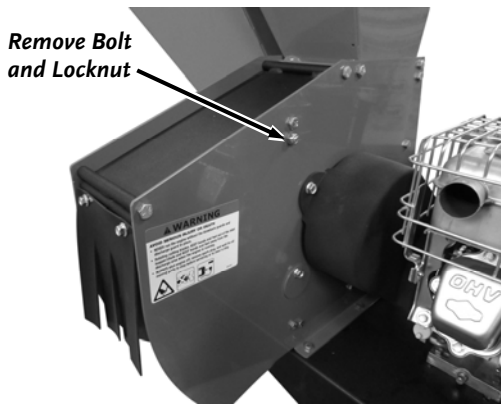


Figure 30

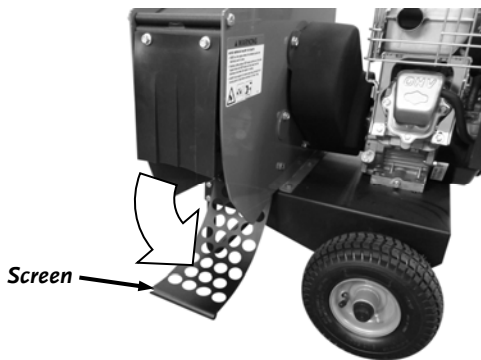


Figure 31

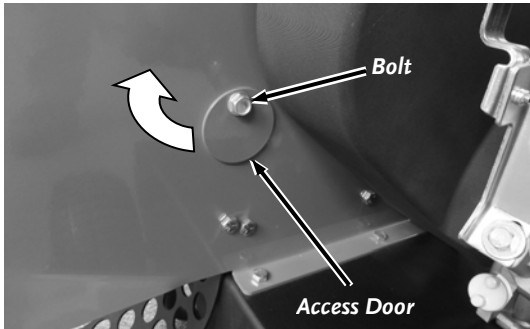


Figure 32

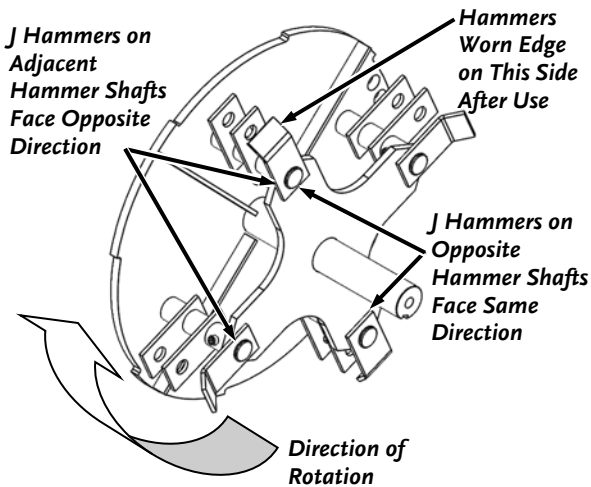


Figure 33

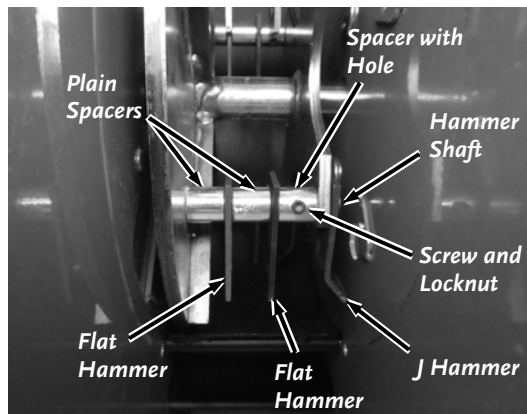


Figure 34

Maintaining the Shredder Hammers

When the hardened steel Hammers become dull or round on the cutting edge, they should be reversed or replaced.

Note: The Flat Hammers have four cutting edges and the J Hammers have two cutting edges that may be used before replacement is necessary. To reverse the Hammers, proceed as follows:

Tools and Part Required

- 1/2" Wrench
- 3/8" Wrench
- 5/32" Allen Wrench

1. Remove the top Screen Bolt and Locknut using two 1/2" Wrenches (**Figure 30**).
2. Rotate the Screen down to gain access to the Cutting Chamber (**Figure 31**).
3. Loosen the Bolt on the Access Plate using a 1/2" Wrench, rotate the Plate out of the way and then tighten the Bolt to hold it in place (**Figure 32**).

Note: There is 1 J Hammer and 2 Flat Hammers on each Hammer Shaft. J Hammers are oriented in the opposite direction of those on adjacent Hammer Shafts (**Figure 33**).

4. Align one of the Hammer Shafts with the Access Door opening (**Figure 34**). Carefully note the orientation of each Hammer on the Hammer Shaft you are working on.
5. Use a 5/32" Allen Wrench and a 3/8" Wrench to remove the Screw and Locknut from the Spacer.
6. Remove the Hammer Shaft, Spacers, and Hammers.

7. Reinstall the parts, but with the orientation of the Hammers flipped to a clean cutting edge. If your Hammer Shaft assembly looked like **Figure 34** before then it should look like **Figure 35** after. Or vice versa.
8. Reinstall the Screw and locknut through the Spacer and the Hammer Shaft. Make sure the Locknut is fully tightened.
9. Repeat steps 4 through 8 for the other three sets of Hammers. Confirm that Hammer orientations alternate as shown in Figure 33. Correct them if needed.
10. Reposition and secure the Access Plate.
11. Rotate the Screen back into the operating position and reinstall the hardware. **Note:** Make sure the bolt goes through the screen rather than just behind it.

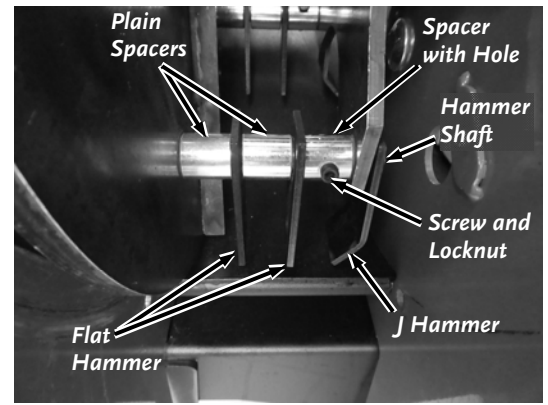


Figure 35

Chapter 5: Troubleshooting

Most problems are easy to fix. Consult the Troubleshooting Table below for common problems and their solutions. If you continue to experience problems, contact us at www.DRpower.com or call toll-free 1-800-DR-OWNER (376-9637) for support.

WARNING

Shut down the Engine and wait 5 minutes for all parts to cool. Remove the Spark Plug Wire, keeping it away from the Spark Plug to prevent accidental starting before performing any maintenance procedure or inspection on the CHIPPER SHREDDER.

Troubleshooting Table

SYMPTOM	POSSIBLE CAUSE
<i>Engine Recoil will not pull out or is difficult to pull.</i>	<ul style="list-style-type: none"> ⇒ Remove un-processed material from the Chipper Chute and Shredder Hopper and remove any built-up debris in the Discharge opening. ⇒ There may be an oil compression lock in the cylinder. Take out the Spark Plug; hold a rag over the Spark Plug hole and pull the Recoil Cord several times to blow out any oil in the Cylinder. Wipe off the Spark Plug and reinstall it. ⇒ Check the Engine oil level; the Engine may be seized. ⇒ The Recoil may be broken or jammed. Visit our website at www.DRpower.com.
<p><i>The Engine will not start.</i></p> <p><i>(Please refer to the Engine Owner's Manual for Engine-specific procedures.)</i></p>	<ul style="list-style-type: none"> ⇒ Check the oil and gas level. ⇒ Make sure that the Fuel Shut-Off is in the ON position. ⇒ Check that the Spark Plug Wire is attached. ⇒ The Air Filter may be dirty; change it following the procedure in the Engine Owner's Manual. ⇒ The gas may be old; change it if necessary. Use a fuel stabilizer if you keep gas longer than one month. ⇒ Check the Throttle and Choke settings, adjustment and travel. ⇒ The Spark Plug may be dirty or cracked; change it if necessary. If it's oily, leave it out, hold a rag over the Plug Hole and pull the Recoil Cord several times to blow out any oil in the Cylinder, then wipe off the Plug and reinsert it. Never use a cracked Spark Plug as serious damage could result. ⇒ If your Engine still won't start, visit our website at www.DRpower.com.
<p><i>The Engine lacks power or is not running smoothly.</i></p> <p><i>(Please refer to the Engine Owner's Manual for engine-specific procedures.)</i></p>	<ul style="list-style-type: none"> ⇒ Make sure the Choke Lever is all the way to the RUN position (right). ⇒ Make sure that the Throttle Lever is all the way to the right (FAST- Rabbit). ⇒ The Air Filter may be dirty; change it following the procedure in the Engine Owner's Manual. ⇒ The Spark Plug may be dirty or cracked; change it if necessary. If it's oily, leave it out, hold a rag over the Plug Hole and pull the Recoil Cord several times to blow out any oil in the Cylinder, then wipe off the Plug and reinsert it. Never use a cracked Spark Plug as serious damage could result. ⇒ The gas may be old; change it if necessary. Use a fuel stabilizer if you keep gas longer than one month. ⇒ The Engine oil may be dirty. Change it if necessary. ⇒ Check that the Cooling Fins are clean and free of debris. Clean as needed. ⇒ If your Engine still lacks power, visit our website at www.DRpower.com.

Troubleshooting Table (Continued)

WARNING

Shut down the Engine and wait 5 minutes for all parts to cool. Remove the Spark Plug Wire, keeping it away from the Spark Plug to prevent accidental starting before performing any maintenance procedure or inspection on the CHIPPER SHREDDER.

SYMPTOM	POSSIBLE CAUSE
<p><i>Engine smokes.</i></p> <p><i>(Please refer to the Engine Owner's Manual for engine-specific procedures.)</i></p>	<ul style="list-style-type: none"> ⇒ Check the oil level and adjust as needed. ⇒ You may be operating the machine on too great an incline. The machine should be level. ⇒ The Air Filter may be dirty; change it following the procedure in the Engine Owner's Manual. ⇒ You may be using the wrong oil - too light for the temperature. Refer to your Engine Owner's Manual for detailed information. ⇒ Check that the Cooling Fins are clean and free of debris. Clean as needed. ⇒ If your Engine still smokes, visit our website at www.DRpower.com.
<p><i>Shredding and chipping action seems too slow.</i></p>	<ul style="list-style-type: none"> ⇒ Check for a dull or damaged Knife; sharpen or replace the Knife. ⇒ Make sure that the Throttle Lever is all the way to the right (FAST- Rabbit).18
<p><i>The machine has excessive vibration.</i></p>	<ul style="list-style-type: none"> ⇒ Check for a dull or damaged Knife; sharpen or replace the Knife. ⇒ The Hammermill is out of balance. Check for any missing or broken Hammers or Spacers; replace if necessary. ⇒ The Knife may not be seated properly. Loosen the Knife mounting screws, reset the Knife, and tighten the screws. ⇒ If your machine still exhibits excessive vibration, visit our website at www.DRpower.com.
<p><i>When chipping, the branch seems to vibrate excessively and "hammers" my hands.</i></p>	<ul style="list-style-type: none"> ⇒ The Knife is dull; sharpen or replace it.
<p><i>Debris builds up in the cutting chamber</i></p>	<ul style="list-style-type: none"> ⇒ Alternate shredding dry material with wet/green material. ⇒ Shred a wood stick of up to 1" diameter to clean out the build-up.
<p><i>Belt squeals, slips, or smokes</i></p>	<ul style="list-style-type: none"> ⇒ Immediately stop the Engine and remove the Spark Plug Wire. ⇒ Turn the Flywheel/Hammer assembly with a wooden stick to be sure it turns freely. ⇒ Remove any built-up debris from the Chipper/Shredder Hopper Inlet(s) and Discharge Chute. ⇒ Check the Drive Belt Tension.

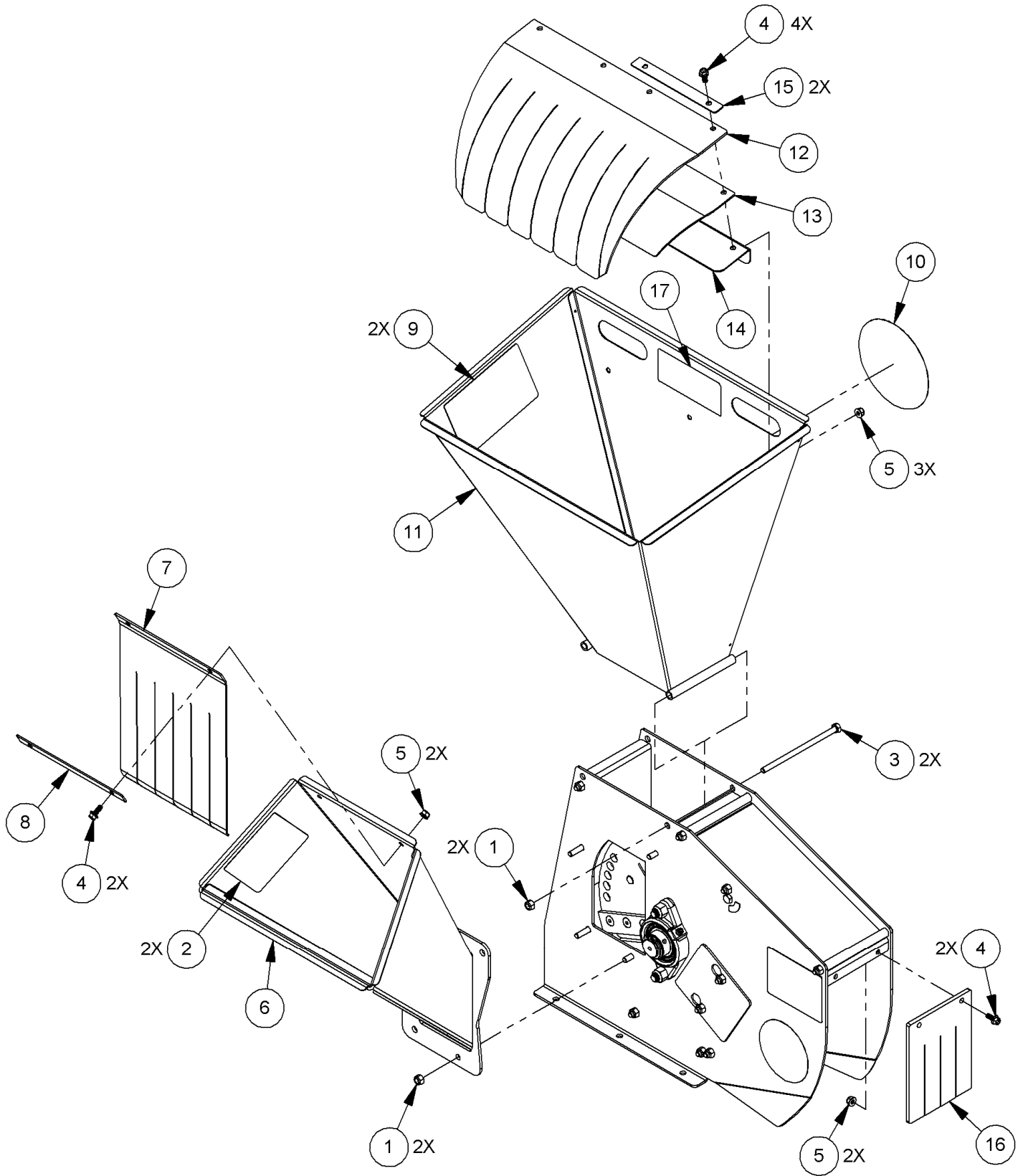
Chapter 6: Parts Lists and Schematic Diagrams

Parts List – Hopper, Chute and Discharge

Note: Part numbers listed are available through DR Power Equipment.

<u>Ref#</u>	<u>Part#</u>	<u>Description</u>	<u>Ref#</u>	<u>Part#</u>	<u>Description</u>
1	11076	Nut, Nylon Lock, 5/16-18, ZP	10	34141	Label, DR Logo, 5.75" Silver
2	39283	Label, Danger, Discharge	11	38676	Hopper w/Labels, Shredder
3	38640	Bolt, HCS, 5/16-18 X 6", GR5, ZP	12	36525	Guard, Shredder
4	36521	Bolt, Hex Flange, 1/4-20 X 5/8", GR5, ZP	13	36544	Support, Guard, Hopper
5	33331	Nut, Nylon Lock, Flanged, 1/4-20	14	36526	Support, Hopper Guard
6	38675	Chute w/Labels, Chipper	15	36515	Plate, Blowback
7	38648	Guard, Chipper	16	38656	Deflector, Discharge
8	38647	Plate, Guard	17	10000026298	Label, Operating
9	39282	Label, Danger, Safety			

Schematic – Hopper, Chute and Discharge

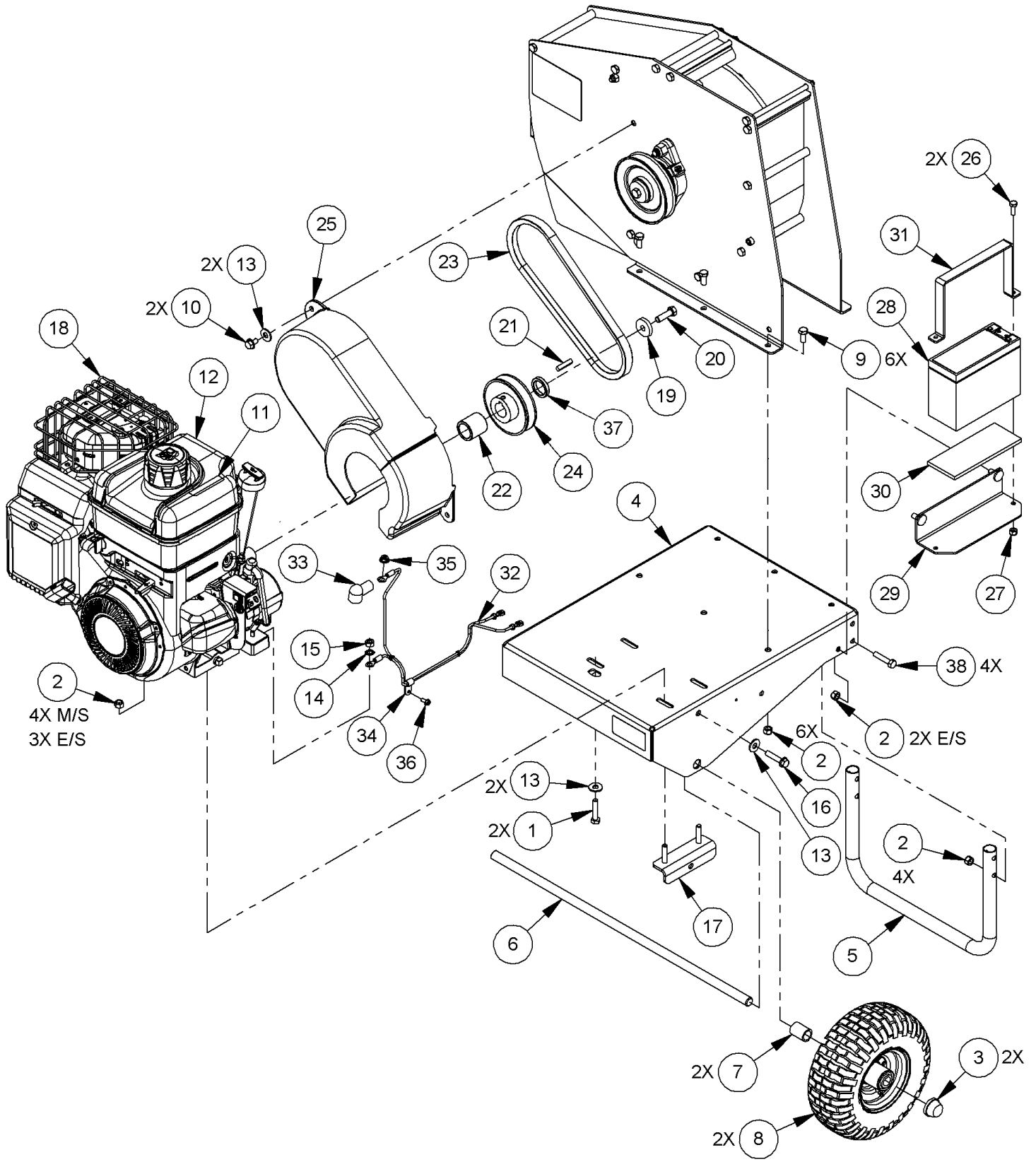


Parts List – Drive Assembly

Note: Part numbers listed are available through DR Power Equipment.

<u>Ref#</u>	<u>Part#</u>	<u>Description</u>	<u>Ref#</u>	<u>Part#</u>	<u>Description</u>
1	13443	Bolt, HCS, 5/16-18 X 1-1/2", GR5, ZP	21	14232	Key, Square, 1/4" X 1"
2	11076	Nut, Nylon Lock, 5/16-18, ZP	22	10000034542	Spacer, Engine Shaft, 1" ID
3	15488	Nut, Push Cap, 5/8", Black	23	10000036443	Belt, BP27, Wrapped
4	38629	Base, 11.5	24	10000034513	Pulley, 4" OD 1" Bore
5	38630	Support, Base	25	38653	Cover, Belt
6	38644	Axle	26	11983	Bolt, HCS, 1/4-20 X 3/4", GR2, ZP (E/S only)
7	36498	Spacer, Wheel	27	33331	Nut, Nylon Lock, Flanged, 1/4-20, ZP (E/S only)
8	36520	Wheel, 9" X 3.5"	28	13447	Battery, 12v, 9Ah (E/S only)
9	12321	Bolt, HCS, 5/16-18 X 3/4, GR5, ZP	29	25862	Bracket, Battery (E/S only)
10	11173	Bolt, Hex, 5/16-18 X .5", Trilobe	30	28697	Pad, Battery 2.5" X 6.12" (E/S only)
11	13758	Label, Check Oil, 2.75" X .63"	31	24230	Strap, Battery (E/S only)
12	18887	Label, Hot Surface	32	38667	Wire Harness, Battery (E/S only)
13	11241	Washer, Flat, 5/16", USS, ZP	33	29487	Boot, Terminal, Red (E/S only)
14	11250	Washer, Lock, 1/4", Ext Tooth (E/S only)	34	37340	Cable Clamp, 5/16", Nylon (E/S only)
15	11069	Nut, Hex, 5/16-18, GR2 (E/S only)	35	31283	Nut, Lock, 1/4-20, Serrated Flange (E/S only)
16	38664	Bolt, Hex, 5/16-18 X 1-1/2", Tri	36	11170	Screw, 10-32 X 1/2", Type F, Hex, ZP (E/S only)
17	38643	Bracket, Belt Tension	37	10000034980	Spacer, Engine Shaft, 1" ID 0.25" L
18	38678	Engine, 11.50 B&S, E/S	38	12336	Bolt, HCS, 5/16-18 x 1-1/4", ZP
	38677	Engine, 11.50 B&S, M/S			
19	27901	Washer, Flat, .385" X 1.25" X .25", ZP			
20	16513	Bolt, HCS, 3/8-24 X 1-1/4", GR8 W/Patch			

Schematic – Drive Assembly



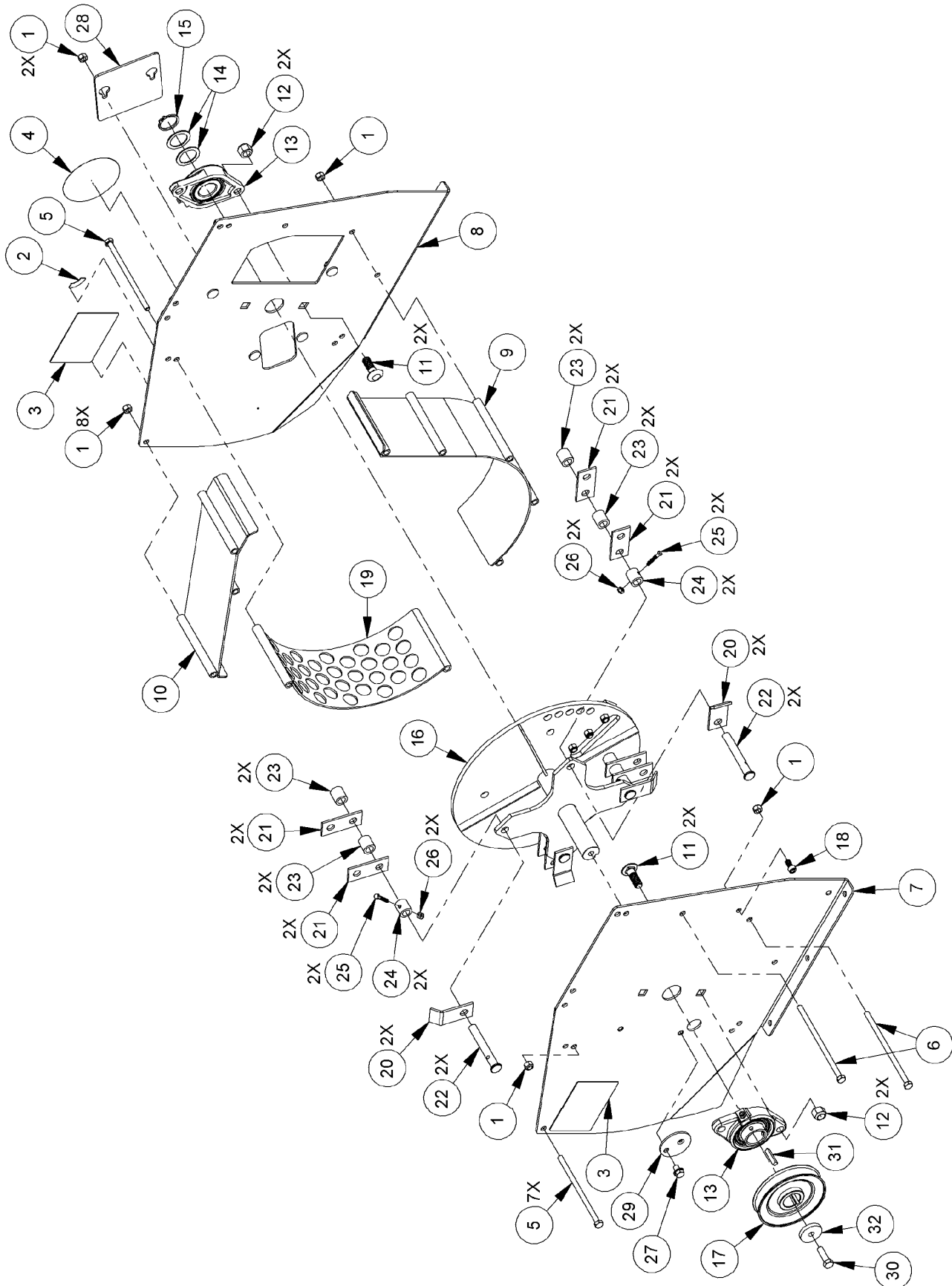
Parts List – Cutting Chamber

Note: Part numbers listed are available through DR Power Equipment.

Ref#	Part#	Description	Ref#	Part#	Description
1	11076	Nut, Nylon Lock, 5/16-18, ZP	18	38663	Bolt, SHCS, 5/16-18 X 5/8", ZP
2	38669	Label, Screen Bolt	19	38646	Screen, 1" Holes
3	39283	Label, Danger, Discharge	20	37307	Hammer, J
4	34140	Label, DR Logo, 4" Silver	21	37306	Hammer, Flat
5	38640	Bolt, HCS, 5/16-18 X 6", GR5, ZP	22	38637	Shaft, Hammer
6	38650	Bolt, HCS, 5/16-18 X 6.5", GR5, ZP	23	38638	Spacer, Hammer, .865" Long
7	38674	Sideplate w/Label, Drive Side,	24	38639	Spacer, Hammer, .865" Long W/Hole
8	38673	Sideplate w/Label, Chipper Side	25	36510	Bolt, SHCS, 10-24 X 1.12", Alloy Blk
9	38633	Scroll, Housing	26	11873	Nut, Nylon Lock 10-24
10	38634	Housing, Top Scroll	27	11173	Bolt, Hex, 5/16-18 X .5", Tri-lobe
11	38654	Bolt, Carr, 1/2-13 X 1-1/2", GR5, ZP	28	38641	Plate, Knife Access
12	11072	Nut, Nylon Lock, 1/2-13, GR5, ZP	29	38642	Plate, Hammer Shaft Access
13*	25631	Bearing, Flange, 1-3/16" (See Note 1)	30	16513	Bolt, HCS, 3/8-24 X 1-1/4", GR8 W/Patch
14	38655	Spacer, 1.190" X 1.62" X .062", ZP	31	14229	Key, .25" X 1.25"
15	18301	Ring, Retaining, 1-3/16"	32	22887	Washer, .385" ID, 1.5" OD, .25"L, ZP
16	38635	Flywheel, Balanced W/Knife			
17	38651	Pulley, V-Belt, 4.75" OD			
			Not Shown		
			40524		Kit, Knife, 11.5 CS3

***Note:** The Bearing (Ref# 13) is assembled to the machine without set screws. If you order this Bearing for replacement and the Set Screws are present, remove them before installation. They are not needed for this application and will scratch the Shaft surface making it difficult to disassemble.

Schematic – Cutting Chamber



Notes:

DR® 11.5 CHIPPER SHREDDER



2-Year Limited Warranty

Terms and Conditions

The DR® CHIPPER SHREDDER is warranted for two (2) years against defects in materials or workmanship when put to ordinary and normal consumer use; ninety (90) days for any other use.

For the purposes of all the above warranties, "ordinary and normal consumer use" refers to non-commercial residential use and does not include misuse, accidents or damage due to inadequate maintenance.

DR Power Equipment certifies that the DR® CHIPPER SHREDDER is fit for ordinary purposes for which a product of this type is used. DR Power Equipment however, limits the implied warranties of merchantability and fitness in duration to a period of two (2) years in consumer use, ninety (90) days for any other use.

The 2-Year Limited Warranty on the DR® CHIPPER SHREDDER starts on the date the machine ships from our factory. The 2-Year Limited Warranty is applicable only to the original owner.

The warranty holder is responsible for the performance of the required maintenance as defined by the manufacturer's owner's manuals. The warranty holder is responsible for replacement of normally wearing parts such as the Belt, knife, hammers, and hammer shafts. Attachments and accessories to the machine are not covered by this warranty.

During the warranty period, the warranty holder is responsible for the machine transportation charges, if required. During the warranty period, warranty parts will be shipped by standard method at no charge to the warranty holder. Expedited shipping of warranty parts is the responsibility of the warranty holder.

SOME STATES DO NOT ALLOW LIMITATIONS ON THE LENGTH OF IMPLIED WARRANTIES, SO THE ABOVE LIMITATIONS MAY NOT APPLY TO YOU.

DR Power Equipment shall not be liable under any circumstances for any **incidental or consequential damages or expenses** of any kind, including, but not limited to, cost of equipment rentals, loss of profit, or cost of hiring services to perform tasks normally performed by the DR® CHIPPER SHREDDER.

SOME STATES DO NOT ALLOW THE EXCLUSION OR LIMITATION OF INCIDENTAL OR CONSEQUENTIAL DAMAGES, SO THE ABOVE LIMITATIONS MAY NOT APPLY TO YOU.

THIS WARRANTY GIVES YOU SPECIFIC LEGAL RIGHTS, AND YOU ALSO HAVE OTHER RIGHTS, WHICH VARY FROM STATE TO STATE.

Daily Checklist for the DR 11.5 CHIPPER SHREDDER

To help maintain your DR 11.5 CHIPPER SHREDDER for optimum performance, we recommend you follow this checklist each time you use your CHIPPER SHREDDER.

WARNING

Before performing any maintenance procedure or inspection, stop the Engine, wait five minutes to allow all parts to cool. Disconnect the Spark Plug Wire, keeping it away from the Spark Plug.

- Check the Engine oil and Fuel Tank level.
- Check that Engine is clean of debris.
- Remove any unprocessed material from the Chipper Chute and Shredder Hopper.
- Check the general condition of the CHIPPER SHREDDER, e.g.; nuts, bolts, welds, etc.
- Check Tire Pressure and wear.
- Check the Chipper Knife for tightness, nicks and wear.
- Check the Blowback Guards and Discharge Guard for wear and damage.

End of Season and Storage

WARNING

Before performing any maintenance procedure or inspection, stop the Engine, wait five minutes to allow all parts to cool. Disconnect the Spark Plug Wire, keeping it away from the Spark Plug.

- Change the Engine oil.
- Clean or replace the Air Filter.
- Check the Chipper Knife and Hammers for nicks and wear.
- Remove any debris wrapped around the Hammers/Spacers.
- If your DR 11.5 CHIPPER SHREDDER will be idle for more than 30 days, we recommend using a gas stabilizer. This will prevent sediment from gumming up the Carburetor. If there is dirt or moisture in the gas or tank, remove it by draining the tank. Completely fill the tank with fresh, unleaded gas and add the appropriate amount of stabilizer or gasoline additive. Run the Engine for a short time to allow the additive to circulate. Close the Fuel Shut-Off Valve to prevent carburetor overflow and leakage.
- Clean the exterior of the unit to remove all dirt, grease, and any other foreign material. To prevent rust, touch up painted surfaces that have been scratched or chipped.
- Be sure all nuts, bolts, and screws are securely fastened.
- Remove the Spark Plug and pour about 1 ounce of motor oil into the Cylinder hole. Replace the Plug and crank the Engine over a couple of times using the Pull Cord. This will coat the piston and seat the valves to prevent moisture buildup.
- If possible, store the CHIPPER SHREDDER in a dry, protected place. If it is necessary to store the machine outside, after the DR 11.5 CHIPPER SHREDDER has cooled, cover the machine with a suitable protective cover that does not retain moisture. Do not use plastic as this material cannot breathe; it also allows condensation to form, which will cause your machine to rust.



75 MEIGS ROAD, P.O. BOX 25, VERGENNES, VERMONT 05491