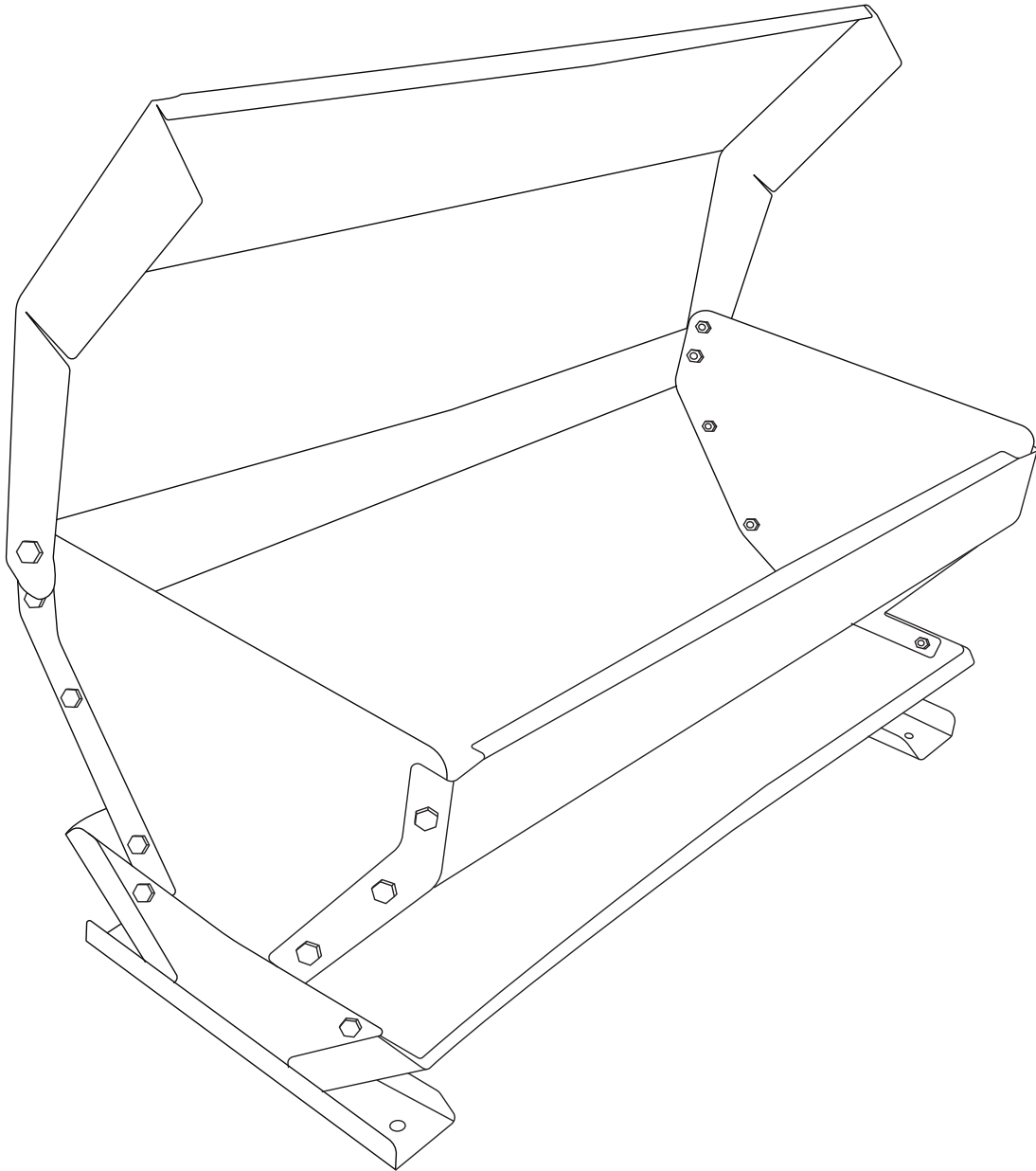


Poultry Feeder

50 lb Capacity

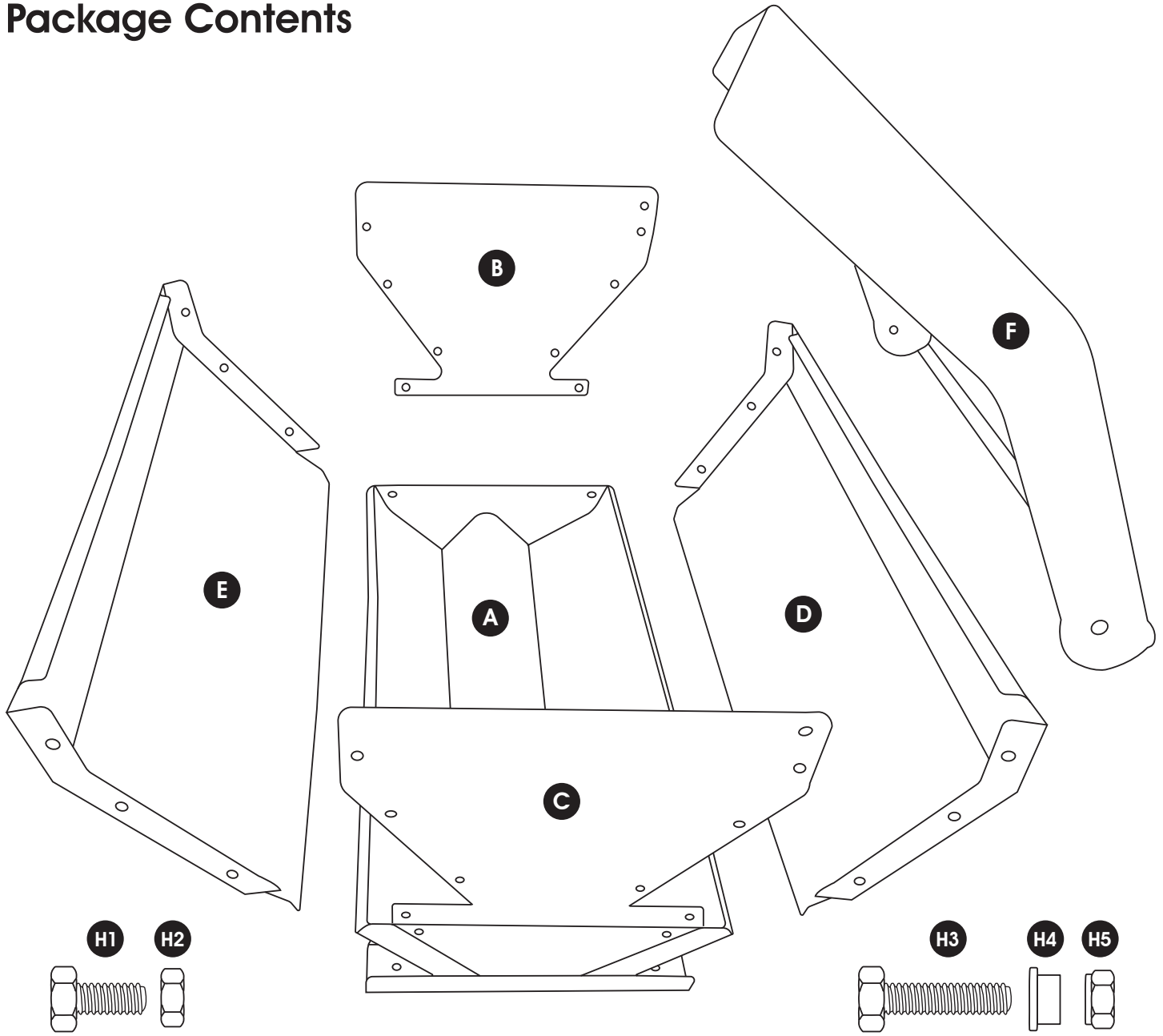


FANTASY FARM

1720 Wallace Ave NE, Canton, OH 44705

Questions or Concerns: Before returning to the place of purchase, please call our customer service department at 1-330-454-2699, Monday - Friday 8:30 am - 4:30 pm EST.

Package Contents



Parts List

A	Feeder Base	1
B	End Plate 1	1
C	End Plate 2	1
D	Back Panel	1
E	Front Panel	1
F	Top	1

Hardware List

H1	1/4" - 20 X 1/2" Hex Head Bolt*	16
H2	1/4" - 20 X 1/2" Hex Head Nut*	16
H3	1/4" - 20 X 1-1/4" Hex Head Bolt*	2
H4	1/8" Nylon Bushing Black	2
H5	1/4" Hex Head Locking Nut*	2

*Head size on all hex head nuts and bolts is 7/16"

Safety Information

This manual contains very important information to know and understand. This information is provided for **SAFETY**, to **PREVENT EQUIPMENT PROBLEMS**, and to **EXTEND PRODUCT LIFE**.

▲ Improper assembly or alteration can prevent product from functioning properly or may cause injury to persons or poultry. Read and understand all assembly, operation, and safety information in this product manual before first use.

▲ WARNING

- **HANDLE WITH CARE** when feeder lid is open! Lid closure creates pinch point and may cause serious injury!
- **DO NOT** slam lid shut!
- **DO NOT** allow poultry to feed with feeder lid open! Lid can close and cause injury to poultry!

▲ CAUTION

Handle product with care! As with all poultry products, once your feeder is in use, when handling or cleaning your feeder the use of disposable rubber gloves and face mask is recommended to prevent potential exposure to bacteria, viruses, pathogens or other contaminants that may be present on feeder surfaces or that might be airborne.

▲ NOTE

Always discard gloves and mask after use. Do not reuse disposable products. Wash hands thoroughly with anti-bacterial soap or cleaner.

▲ WARNING - CALIFORNIA PROPOSITION 65

This product **DOES NOT** contain chemicals currently known to the state of California to cause cancer, birth defects, or other reproductive harm. For more information, visit <https://www.p65warnings.ca.gov/>.

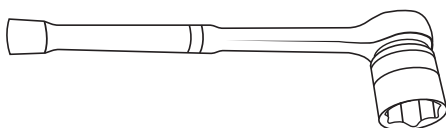
Preparation

Before assembling the feeder, make sure that all of the parts are present. Compare package contents with the parts and hardware list contents on page 2.

If any part is missing or damaged, do not attempt to assemble the product. Contact customer service for replacement parts at 1-330-454-2699.

Tools Required (Not included):

Ratchet with 7/16" Socket



or

7/16" Combination Wrench



Assembly Instruction

▲ NOTE *All Bolts are inserted from the outside with nuts on the inside of the feeder.*

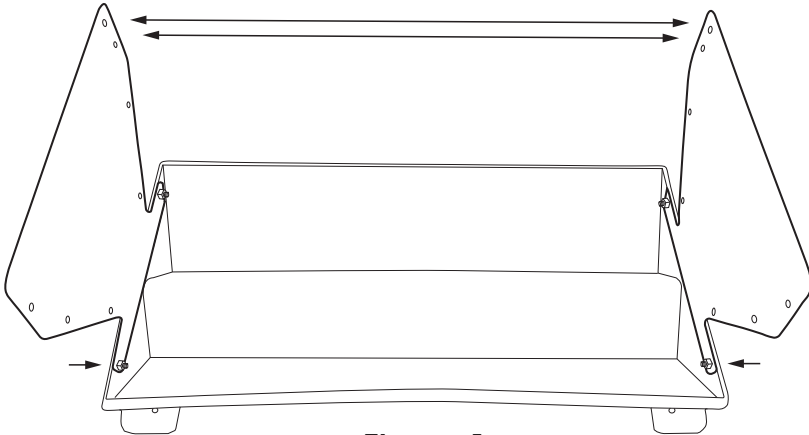


Figure 1

1. Install the **Feeder End Plates** (B&C) to inside surface of **Feeder Base** (A) using 4 **Bolts** (H1) and 4 **Nuts** (H2). Tighten to secure. (Figure 1)

▲ NOTE *Make sure that the vertical double hole pattern in the top corner of the Feeder End Plates are on the same side of the Feeder Base as these holes will be used to secure the hinging top of the feeder.*

2. Install **Back Panel** (D) using 6 **Bolts** (H1) and 6 **Nuts** (H2). Tighten to Secure. (Figure 2)

▲ NOTE *Make sure that the back panel is installed on the side of the base/end-plate assembly that has the double vertical hole pattern in the top corner of the end plates.*

▲ NOTE *Side flanges of the Back Panel go outside the End Plates.*

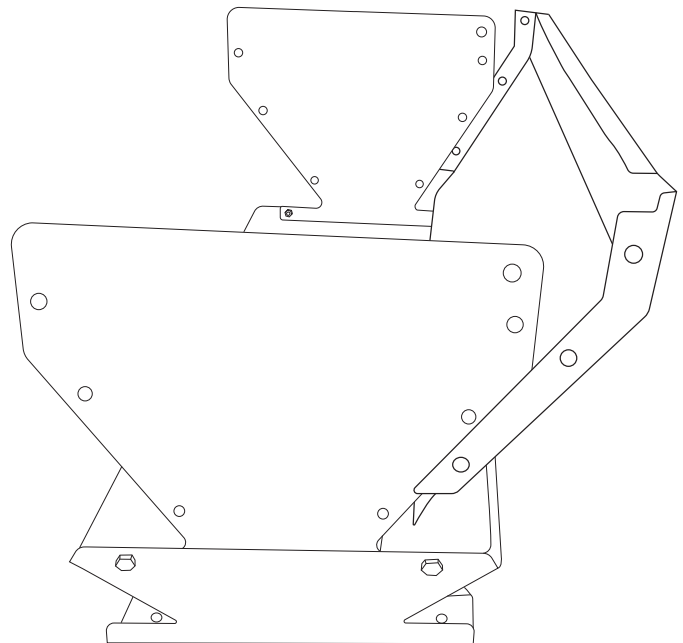


Figure 2

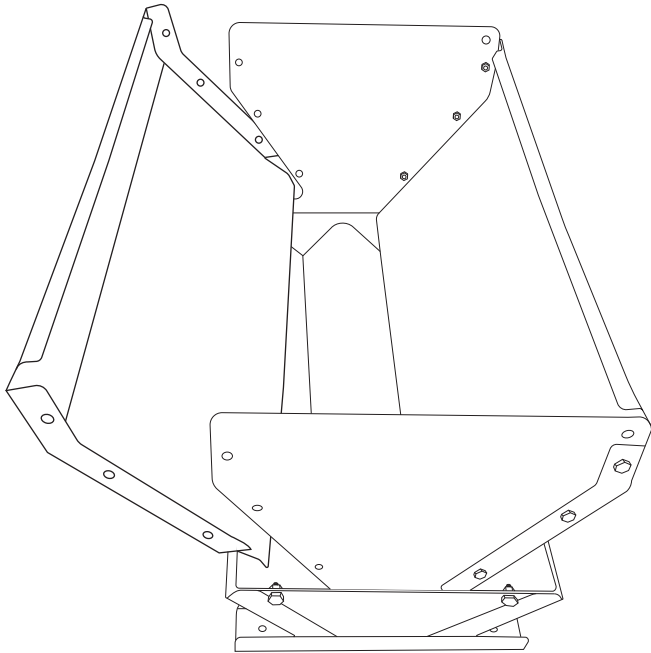


Figure 3

3. Install **Front Panel** (E) onto the Assembly using 6 **Bolts** (H1) and 6 **Nuts** (H2). Tighten to secure. (Figure 3)

▲ NOTE

Side flanges of the Front Panel go outside the End Plates.

4. Install **Feeder Top** (F) onto Assembly using 2 **Bolts** (H3), 2 **Bushings** (H4), and 2 **Locking Nuts** (H5). Tighten to Secure. (Figure 4)

▲ NOTE

Side flanges of the Feeder Top go outside the base assembly.

▲ NOTE

Bolts are inserted from the outside with Bushings (H4) installed in between the side flanges of the Feeder Top and the base assembly. Locking Nuts (H5) are secured on the inside of the Feeder Base. (Figure 4.2)

▲ WARNING

Handle with care when feeder lid is open! Lid closure creates pinch points and may cause serious injury!

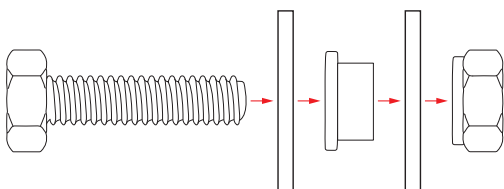


Figure 4.2

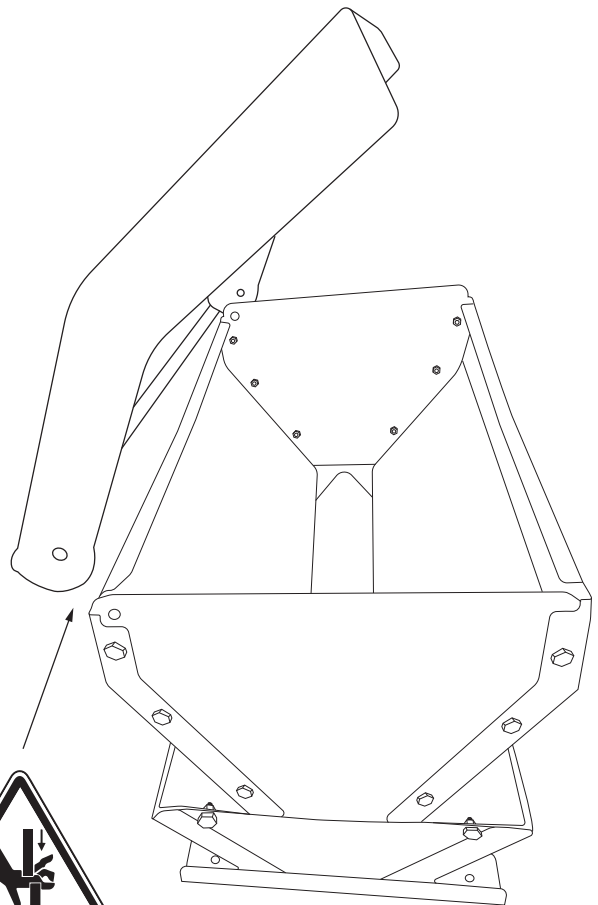


Figure 4



Product Usage

Once the feeder has been properly assembled, it is ready for use in 3 easy steps. Little to no training of poultry is required.

1. Place Feeder in the area where your poultry will feed. Product is designed for indoor & outdoor pens, coops, or containment structures. Products can also be used with free-range poultry.
2. Open Feeder top - **handle with care to avoid pinch points**. Fill feeder base with the dry poultry feed of your choice. Feeder has 50lb feed capacity. Place some feed in both feed troughs. Feeder is designed with a gravity feed system. As poultry eat feed contained in feed troughs, it will be replenished through the gravity feed system.
3. Close feeder top and your Fantasy Farm Poultry Feeder is ready for use.

Care and Maintenance

CLEANING

To ensure proper function and extend the life of your Fantasy Farm Feeder recommended cleaning and maintenance should be performed periodically.

Proper periodic cleaning of your feeder can not only help ensure proper function and extend the life of your feeder but may also help protect your chickens from unwanted bacteria, viruses, pathogens or other contaminants.

When feeder is empty, clean your feeder in a location away from any feeding area with a low-pressure water hose, nylon cleaning brush, and a mixture of 1 gallon of hot water and 1/2 cup of white vinegar. Scrub all exterior and interior surfaces thoroughly with cleaning solution and rinse several times with a low-pressure water hose. After cleaning and rinsing, feeder should be placed in the sun and be allowed to dry thoroughly prior to loading feed.

▲ NOTE

If any surfaces of feeder show signs of mold, mildew, feed spoilage, or chicken feces clean multiple times with a mixture of 1 gallon of hot water and 1/3 - 1/2 cup of bleach, rinse multiple times and allow to dry thoroughly prior to loading feed.

MAINTENANCE

After thoroughly cleaning your feeder, check the tightness of all nut & bolt fasteners. Re-tighten as necessary as some may loosen slightly with normal wear and usage.

▲ SAFETY

Handle product with care! As with all poultry products, once your feeder is in use, when handling or cleaning your feeder the use of disposable rubber gloves and face mask is recommended to prevent potential exposure to bacteria, viruses, pathogens or other contaminants that may be present on feeder surfaces or that might be airborne.

▲ NOTE

Always discard gloves and mask after use. Do not reuse disposable products. Wash hands thoroughly with anti-bacterial soap or cleaner.

Built to Last Limited Lifetime Warranty

We thank you for your purchase of Fantasy Farm Products. We are happy to offer a Limited Lifetime Warranty on this product which will be in effect upon the completion of our authorized warranty registration. Per the Limited Lifetime Warranty, if this item fails due to a defect in material or workmanship, we will repair or replace the item free of charge at our discretion.

FOR WARRANTY REGISTRATION, please access our warranty registration website portal at www.fantasyfarmproductsusa.com. Please have the following information ready: Your contact information, product model #, name of retailer purchased from, purchase date, order #, and payment receipt.

▲ NOTE

*Please note, this warranty **DOES NOT** cover defects resulting from improper assembly, abnormal use, misuse, accident, or alteration. Failure to follow all instructions in the owner's manual, including proper recommended storage of this product when not in use, will also void this warranty. The manufacturer will not be liable for incidental or consequential damages, or for degradation of this product due to common erosion of outdoor products.*

To review a warranty claim, obtain warranty service, or to order parts call 1-330-454-2699, Monday - Friday 8:30 am - 4:30 pm EST.

Model Number: _____

Retailer: _____

Purchase Date: _____

Order Number: _____

▲ Attach purchase receipt to this manual for reference in warranty inquiries

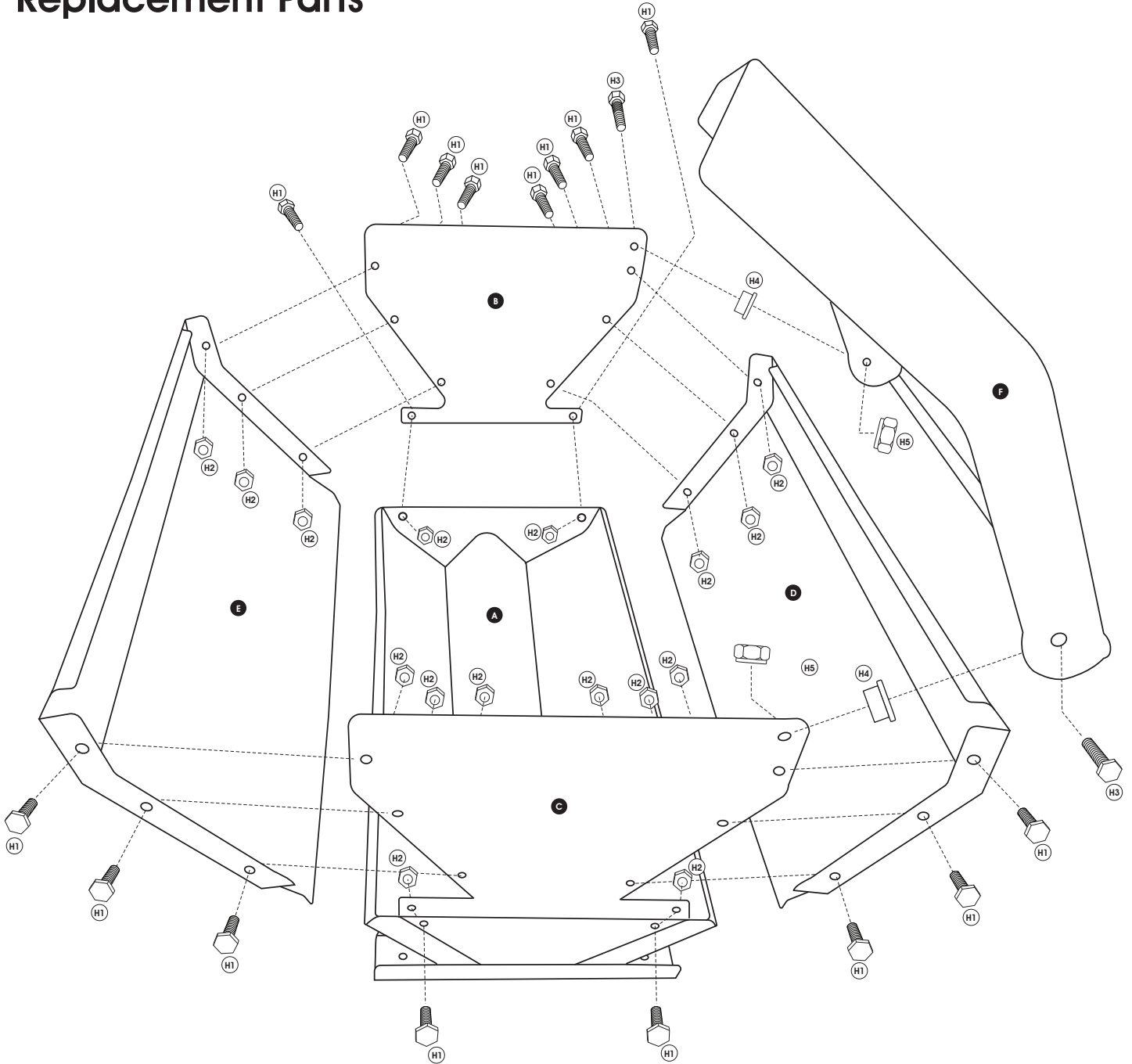


FANTASY FARM

1720 Wallace Ave NE, Canton, OH 44705

Questions or Concerns: Before returning to the place of purchase, please call our customer service department at 1-330-454-2699, Monday - Friday 8:30 am - 4:30 pm EST.

Replacement Parts



Parts List

A	Feeder Base	1
B	End Plate 1	1
C	End Plate 2	1
D	Back Panel	1
E	Front Panel	1
F	Top	1

Hardware List

H1	1/4" - 20 X 1/2" Hex Head Bolt*	16
H2	1/4" - 20 X 1/2" Hex Head Nut*	16
H3	1/4" - 20 X 1-1/4" Hex Head Bolt*	2
H4	1/8" Nylon Bushing Black	2
H5	1/4" Hex Head Locking Nut*	2

*Head size on all hex head nuts and bolts is 7/16"

Questions or Concerns: Before returning to the place of purchase, please call our customer service department at 1-330-454-2699, Monday - Friday 8:30 am - 4:30 pm EST.