



ENGLISH

PAC505

INSTRUCTION MANUAL
Portable Power Station

- QUIET, LITHIUM-ION POWERED 505WH (46.8AH / 10.8V) BATTERY CAPACITY
- FLEXIBLE POWER WITH 4 USB PORTS (INCLUDING 2 USB-C), 2 AC OUTLETS
- DIGITAL LCD SCREEN DISPLAYS REAL TIME PERFORMANCE DATA



ESPAÑOL pg. 6

FRANÇAIS p. 11



GENERAL SPECIFICATIONS

The Blackfire PAC505 is a portable power station with the ability to supply 500W of pure sine wave AC power via the two on-board AC outlets. Additionally, the power station is able to support USB quick charging via two on-board USB-C ports (one of which is Power Delivery (PD) capable), two USB-A ports, and a 12V car port. Use the supplied AC adapter to charge the PAC505. Overall storage capacity is 505Wh of energy.

- **Capacity:** 505Wh (46.8Ah / 10.8V)
- **Cell Type:** 18650
- **Cell Chemistry:** Li-Ion
- **8mm Input:** 13-30V, 3.5A, 105W maximum
- **AC Output:** 120V each outlet, 500W shared / 1000W peak
- **DC Output:** 120W (12V/10A)
- **USB Output** (total output 90W): **USB-A:** 2 x 12W (5V/2.4A), **USB-C:** 1 x 15W (5V/3A), **USB-C PD:** 1 x 60W (5V-20V/3A)
- **Operating / Storage Maximum Altitude:** 6562 ft. (2000m)
- **Operating / Storage Maximum Humidity:** <75% non-condensing
- **Operating Temp:** 14° to 104°F (-10° to 40°C)
- **Charging Temp:** 32° to 104°F (0° to 40°C)
- **Storage Temp:** -4° to 113°F (-20° to 45°C)
- **Dimensions:** 11.8" x 7.5" x 7.3" (30.0 x 19.1 x 18.5 cm)
- **Weight:** 13.9 lbs (6.3 kg)
- **Life Expectancy:** 500 cycles to 80% capacity typical (depending on use and care)
- **Standards:** FCC, UN38.3, DOE/CEC, NRCAN
- **Charging Time (Supplied AC Adapter):** Full charge 8 to 10 hours
- **Charging Time (105W Input Max):** Full charge 7 hours
- **Charge Time (Supplied Car Charger Adapter):** Full charge 12 hours
- **Storage:** Charge every 3 months (fully charge before storage)
- **Transportation:** This lithium-ion battery is regulated as a hazardous material (dangerous goods) by the U.S. Department of Transportation (DOT) and other transport authorities and has been tested in accordance with the UN38.3 lithium battery testing requirements. The Watt-hour rating is 505 Wh. If shipped international by air, the battery must be packaged and transported in accordance with the IATA Dangerous Goods Regulations. Packing Instruction 965, Section IA. All package labeling requirements must be met and relevant shipping documents must be completed. Shipments by vessel (ocean) and motor vehicle must comply with the applicable dangerous goods regulations for those modes of transport. Keep ALL original packaging and shipping materials for future use. Call customer service for replacement packaging if original packaging is lost or damaged.

Specifications subject to change.

⚠ WARNINGS

To ensure safe operation and service of the power station, follow these instructions. Failure to observe these warnings can result in severe injury or death.

- Do **NOT** use portable battery in excess of its output rating. Overload outputs above rating may result in a risk of fire or injury to persons.
- Use of a power supply, charger, or cable not recommended or sold by portable battery manufacturer may result in a risk of fire or injury to persons.
- Do **NOT** use portable battery or AC wall charger if it is damaged or has been modified. Damaged or modified batteries may exhibit unpredictable behavior resulting in fire, explosion, or risk of injury.
- Do **NOT** subject to vibration, impacts, or drops. Secure the unit during transport. The housing may not show signs of damage, but internal components may have been compromised. It is advisable to replace the unit if any such severe events occur.
- Do **NOT** expose portable battery to moisture, rain, or snow.
- Keep away from high voltage electrical fields.
- Do **NOT** attempt to repair portable battery or AC wall charger. There are no user-serviceable components inside.
- Risk of fire and burns, do not open, crush, heat above 140°F (60°C) or incinerate. Follow all instructions.
- **NOT** intended for use with plug types or adapters not listed on the product label.
- Do **NOT** handle unit with wet hands.
- Do **NOT** place the unit on its side or upside down while in use or in storage.
- If rust, odor, overheating, or other abnormal circumstance are observed, stop using and contact Blackfire customer service.

COMPLIANCE

FCC & IC COMPLIANCE

This equipment has been tested and found to comply with the limits for a Class B digital device, pursuant to part 15 of the FCC Rules. These limits are designed to provide reasonable protection against harmful interference in a residential installation. This equipment generates, uses, and can radiate radio frequency energy and, if not installed and used in accordance with the instructions, may cause harmful interference to radio communications. However, there is no guarantee that interference will not occur in a particular installation. If this equipment does cause harmful interference to radio or television reception, which can be determined by turning the equipment off and on, the user is encouraged to try to correct the interference by one or more of the following measures:

- Reorient or relocate the receiving antenna.
- Increase the separation between the equipment and receiver.
- Connect the equipment into an outlet on a circuit different from that to which the receiver is connected.
- Consult the dealer or an experienced radio/TV technician for help.

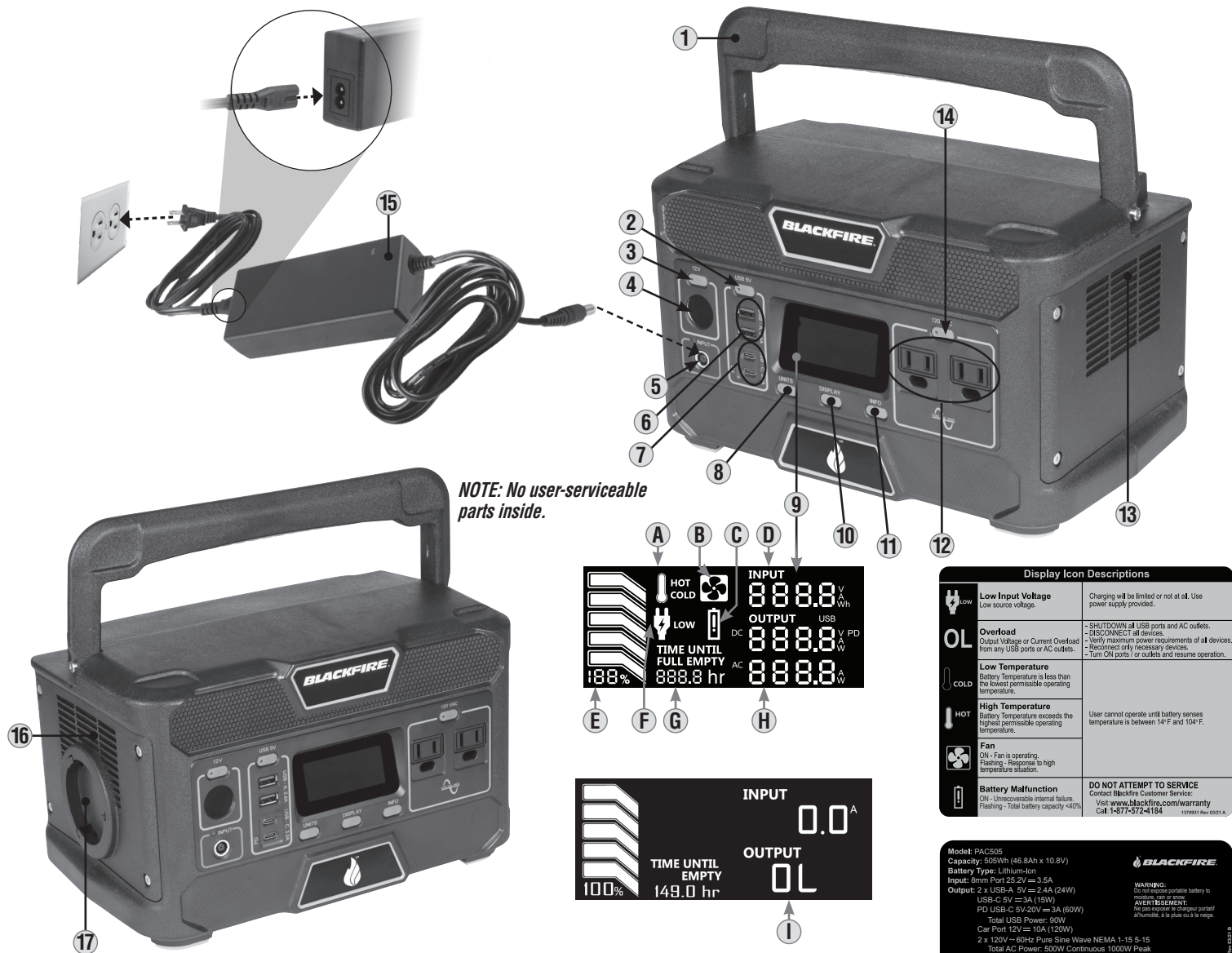
NOTE: The grantee is not responsible for any changes or modifications not expressly approved by the party responsible for compliance. Such modifications could void the user's authority to operate the equipment.

IC NOTICE TO CANADIAN USERS

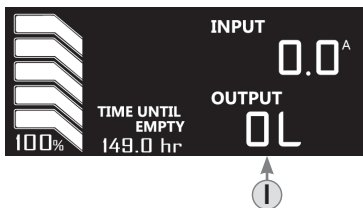
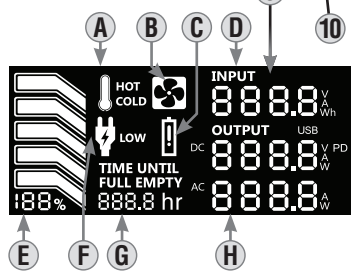
This device complies with industry Canada license-exempt RSS standard(s). Operation is subject to the following two conditions: (1) This device may not cause harmful interference, and (2) This device must accept any interference received, including interference that may cause undesired operation of the device.

This device complies with RSS-247 of Industry Canada. Operation is subject to the condition that this device does not cause harmful interference. This Class B digital apparatus complies with Canadian ICES-003.

FEATURE DETAILS



NOTE: No user-serviceable parts inside.



Display Icon Descriptions		
	Low Input Voltage Low source voltage.	Charging will be limited or not at all. Use power supply provided.
	Overload Output Voltage or Current Overload from any USB ports or AC outlets.	- SHUTDOWN all USB ports and AC outlets. - DISCONNECT all devices. - Verify maximum power requirements of all devices. - Reconnect only necessary devices. - Turn ON ports for outlets and resume operation.
	Low Temperature Battery Temperature is less than the lowest permissible operating temperature.	
	High Temperature Battery Temperature exceeds the highest permissible operating temperature.	User cannot operate until battery senses temperature is between 14°F and 104°F.
	Fan ON - Fan is operating, Flashing - Response to high temperature situation.	
	Battery Malfunction ON - Unrecoverable internal failure. Flashing - Total battery capacity <40%.	DO NOT ATTEMPT TO SERVICE Contact Blackfire Customer Service: Visit www.blackfire.com/warranty Call: 1-877-572-4184

Model: PAC505
Capacity: 505Wh (48.8Ah x 10.8V)
Battery Type: Lithium-Ion
Inputs: 8mm Port 2.1 = 3.5A
Output: 2 x USB-A, 5V = 2.4A (24W)
USB-C 5V = 3A (15W)
PD USB-C 5V-20V = 3A (60W)
Total USB Power: 50W
Car Port 12V = 10A (120W)
2 x 120V ~60Hz Pure Sine Wave NEMA 1-15 5-15
Total AC Power: 500W Continuous 1000W Peak
Operating Temperature: 32 ~ 104°F (0 ~ 40°C) Charging
14 ~ 104°F (-10 ~ 40°C) Discharging
S/N: 0027800011001
MMYR-A1

WARNING: Do not use portable battery to charge power tools.
AVERTISSEMENT: Ne pas utiliser le chargeur portatif pour alimenter des outils électriques.

UL LISTED
NOM
WEEE

BATTERY FEATURES

- | | |
|----------------------------------|-------------------------------|
| 1. Handle | 10. DISPLAY Button |
| 2. USB Output ON/OFF Button | 11. INFO Button |
| 3. Car Port Output On/Off Button | 12. AC Outlets (120V / 500W) |
| 4. Car Port Output (12V/10A) | 13. Air Intake Vent w/ Fan |
| 5. AC Charging Input (8mm) | 14. AC Outlet ON/OFF Button |
| 6. USB-A Ports (5V / 2.4A) | 15. AC Wall Charger |
| 7. USB-C Ports (5V/3A to 60W PD) | 16. Air Exhaust Vent |
| 8. UNITS Button | 17. Blackfire Accessory Mount |
| 9. LCD Screen | |

SYMBOLS ON BATTERY

- | | | | |
|--|--------------------|--|---|
| | Warning or Caution | | Risk of Electrical Shock |
| | Read Instructions | | Conforms with BCS regulations of California Energy Commission |
| | Double insulated | | Recyclable |

LCD FEATURES

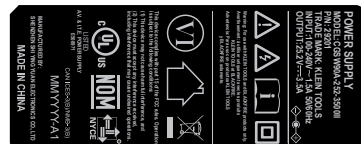
- | | |
|----------------------------------|---------------------------------|
| A. Hot / Cold Indicator | F. Low Input Voltage Indicator |
| B. Fan | G. Time Until Full / Empty |
| C. Battery Malfunction Indicator | H. Output Stats |
| D. Input Stats | I. Overload Condition Indicator |
| E. Battery Level Indicator | |

SYMBOLS ON LCD

- Low Source Voltage.** This will result in very limited charge, or none at all. Recommended to only use supplied wall charger.
- See OVERLOAD CONDITION in OPERATING INSTRUCTIONS section of this manual**
- The battery temperature is higher than rated operating temperature, the unit may not function, or provide limited output capability during this time. See GENERAL SPECIFICATIONS for operating temperature**
- The battery temperature is less than rated operating temperature, the unit may not function, or provide limited output capability during this time. See GENERAL SPECIFICATIONS for operating temperature**
- Fan:** The fan icon illuminates when the fan is operating. This occurs during high load situations for increased cooling. The fan icon may flash during overload conditions.
- Battery Malfunction:** The battery malfunction icon with flash when the power station is no longer able to charge beyond 40% of its original capacity. If the icon remains illuminated without flashing, the PAC505 has had an unrecoverable failure.
DO NOT ATTEMPT TO SERVICE
Contact Blackfire Customer Service Directly. Visit: www.blackfire.com/warranty Call: 1-877-572-4184

SYMBOLS ON WALL CHARGER

- Warning or Caution
- Risk of Electrical Shock
- Read Instructions
- Indoor Use Only
- Double Insulated
- Efficiency Rating
- This product meets applicable UL standards
- This product meets applicable NOM standards
- WEEE - Electronic Equipment Disposal



FUNCTION BUTTONS

INPUT AND OUTPUT DISPLAY DETAILS

PAC505 display is intended to provide real-time input and output performance data on all ports combined, individually, and if specific output protocols are being utilized.

UNITS BUTTON

Press to obtain input and output parameters in Watts (W), Watt-hour (Wh), Volts (V), and Current (A), as applicable. Press the button and the unit icon on the screen will change with updated performance results.

INFO BUTTON

Press to cycle input and output from all ports, or individual ports (as applicable).

DISPLAY BUTTON

Press the DISPLAY button to illuminate the LCD for 60 seconds. Press and hold the DISPLAY button longer than 3 seconds, to keep LCD illuminated indefinitely. The display will flash on/off to alert the user that it will remain on, pressing the DISPLAY button will turn the display off.

DETAILS DISPLAYED ON LCD

BATTERY LEVEL (E): The battery level is provided by percentage of battery charge corresponding to the number of bars and percentage displayed. The bars in the battery level correspond to the current state of charge, 0-20%, 21-40%, 41-60%, 61-80%, and all five are lit when charge level is above 81%.

TIME UNTIL EMPTY/FULL (G): Provides the user live telemetry data on time to completely charge, or deplete the battery based upon the energy entering or leaving the battery. Please be aware that this value can adjust multiple times as the energy draw changes from the connected devices. This is evident during initial activation of ports with a connected device.

INPUT (D): The PAC505 is capable of providing input energy in watts, watt-hr, or amps.

OUTPUT (H): The display will provide output characteristics of all ports, including 12V car port, AC ports, and USB ports. The details on this function are provided below in the OPERATING INSTRUCTIONS section. The output wattage displayed by the power station will be accurate to within 10%.

COOLING FAN (B): PAC505 utilizes an internal cooling fan to ensure the product is operating within the appropriate temperature range. The unit, when it experiences a higher output load, will automatically turn on the fan. During discharge, and possibly charging, the fan may operate intermittently to keep internal temperature within operating range. The fan will likely start when the AC circuit is activated to ensure proper operation.

OPERATING INSTRUCTIONS

CHARGING PAC505

⚠️ Only charge unit with provided AC wall charger, Klein Cat. No. 29201, 12V car port charger, Klein Cat. No. 29209, or APP® to 8mm adapter, Klein Cat. No. 29205 (105W max input).

⚠️ Charge unit indoors.

Connect the provided AC Wall Charger (15) to the AC Charger input (5), and allow PAC505 to fully charge prior to use, approx. 9 hours. The LCD display will provide charge level (E), along with time until full (G). The unit is fully charged when the level is 100. It is recommended to fully charge PAC505 every 3 months to maintain the health of the battery pack.

POWERING / CHARGING DEVICES WITH PAC505

Select the type of outlet required by pressing the USB Output ON/OFF Button (2) or the AC Outlet ON/OFF Button (14). The outlet port will NOT function until the appropriate button is pressed to activate the port. When activated, the indicator on the button will illuminate green, indicating that the output(s) are active, and the LCD display will turn on and provide details on the charging output. Press the ON/OFF button(s) to shut down the output(s) when not in use. The LCD will automatically shut down when no outputs are activated.

PAC505 will enter sleep mode after 90 seconds of inactivity (no output load detected) and will "wake up" when inputting a charging cord or when any button is pressed.

PASS-THROUGH CHARGING

The advanced battery management system of the PAC505 allows it to charge a connected device while the wall charger unit is plugged into the PAC505. The PAC505 is capable of supporting more output than can be provided by the wall charger input. Therefore, the PAC505 may still be depleting battery capacity depending upon the load required by the connected device being charged.

OVERLOAD CONDITION

If the LCD displays the overload condition symbol ("OL"); do the following:

- Turn off USB ports (2) and AC outlets (14). The green indicator light will no longer be illuminated when the ports / outlets are turned off.
- Disconnect all devices, including the PAC505's charging cord.
- Verify the maximum power requirements for all devices, and confirm that the device power requirements do not exceed PAC505's capacity (see GENERAL SPECIFICATIONS).
- Reconnect *only* necessary devices.
- Turn on USB ports and/or AC outlets and resume operation.

If an overload condition occurs on the input port, the portable battery will automatically shut off the input port. The port will be reactivated when the input source meets the specification outlined in the GENERAL SPECIFICATIONS section. Only charge the unit with provided AC wall charger.

BLACKFIRE ACCESSORY MOUNT (17)

To attach a Blackfire accessory to PAC505, such as the BTSM1 Wireless Speaker, align the tabs on the accessory's mounting flange with the slots on PAC505's Accessory Mount, then insert and rotate clockwise to lock into place. To remove the accessory, rotate counterclockwise and pull out.



TROUBLESHOOTING

PAC505 WILL NOT CHARGE OR OPERATE CONNECTED DEVICES:

- Ensure that the output ports ④, ⑥, ⑦, and/or ⑫ are activated by pressing the button ②, ③ and/or ⑭ for the port(s) in use.
- Confirm the connected device is suitable for the PAC505 by reviewing the output specifications provided in the GENERAL SPECIFICATIONS section.
- Confirm the battery is charged by reviewing the charge level ⑤. This may need to be displayed by pressing the INFO ⑪.
- Verify whether a warning icon ①, ②, ③, ④ is displayed on the LCD ⑨.

PAC505 WILL NOT CHARGE:

- Verify that the AC Charger Input ⑤ is illuminated. If not, the AC charger being used may not be providing an output.
- Confirm that the charger's cord is inserted fully into the AC Charger Input.
- Confirm that the AC Wall Charger ⑮ is the charger provided with PAC505.
- If the input does not comply with the requirements located in the GENERAL SPECIFICATIONS section, the Low Input Voltage icon ⑥ may be displayed on LCD screen.

NOTE: The LCD display ⑨ will provide additional fault codes that can be reviewed in the FEATURE DETAILS section.

CLEANING

Be sure that PAC505 is disconnected from all input power sources and output devices. Use a clean, dry, soft-lint-free cloth to wipe down the unit. Remove any debris, dirt, or other blockages on both side vents. When cleaning debris from the side vents, do not allow the debris, dirt, or other blockages to enter the body of PAC505.

Do not use abrasive cleaners or solvents.

Do not use compressed air to clean side cooling vents, as this will force foreign particles into the internal circuitry.

⚠ To avoid the risk of electrical shock, DO NOT use metal objects to clean ports.

MAINTENANCE

Recharge as needed. There are no pre-designated intervals at which to recharge as long as the PAC505 is being used regularly. Avoid discharging completed on a regular basis, as this can impact overall life.

Regularly inspect all ports and wall charger for any debris, dirt, damage, and corrosion. **DO NOT** attempt to fix.

Regularly observe if the side vents are collecting dirt or dust, and clean following cleaning procedures noted in manual.

STORAGE

If storing for more than 1 month, charge completely before storage and recharge approximately every 3 months to avoid full discharge and possible damage.

Store indoors, in cool temperatures, mild humidity, and away from direct sunlight (See GENERAL SPECIFICATIONS section). Leaving in a vehicle or other confined spaces in extreme hot temperatures can lead to decreased service life, overheating, and fire. Extreme cold conditions below specific storage range can also harm performance and service life.

Keep away from corrosion chemicals and gases.

After taking out of storage, visually inspect to make sure PAC505 and all accessories look satisfactory. Inspect the intake and exhaust side vents to ensure they are clear of debris. Allow unit to return to ambient conditions before recharging or charging other devices.

WARRANTY

www.blackfire.com/warranty

DISPOSAL / RECYCLE



Do not place equipment and its accessories in the trash or in curbside recycle bin. Items must be properly recycled in accordance with local regulations. See www.epa.gov/recycle for additional information.

CUSTOMER SERVICE

Blackfire, INC.
661 E Main St, Unit 200-117 Midlothian, Texas 76065
1-877-572-4184
customerservice@blackfire.com
www.blackfire.com

*APP is a registered trademark of Anderson Power Products, Inc.

NOTES



ESPAÑOL

MANUAL DE INSTRUCCIONES

Estación de carga portátil

- BATERÍA SILENCIOSA DE IONES DE LITIO CON CAPACIDAD DE 505 WH (46,8 AH/10,8 V)
- POTENCIA FLEXIBLE CON 4 PUERTOS USB (INCLUIDOS 2 USB-C) Y 2 TOMACORRIENTES DE CA
- LA PANTALLA LCD DIGITAL MUESTRA DATOS DE RENDIMIENTO EN TIEMPO REAL.



 **BLACKFIRE**®

ESPECIFICACIONES GENERALES

El modelo PAC505 de Blackfire es una estación de carga portátil capaz de suministrar 500 W de potencia de CA de onda sinusoidal pura a través de los dos tomacorrientes de CA incorporados. Adicionalmente, la estación de carga permite la carga rápida USB a través de dos puertos USB-C incorporados (uno de ellos tiene capacidad de suministrar energía), dos puertos USB-A y un puerto de 12 V de automóvil. Utilice el adaptador CA proporcionado para cargar el modelo PAC505. La capacidad general de almacenamiento es de 505 Wh de energía.

- **Capacidad:** 505 Wh (46,8 Ah/10,8 V)
- **Tipo de celda:** 18650
- **Composición química de las celdas:** iones de litio
- **Entrada de 8 mm:** máximo 13 a 30 V, 3,5 A y 105 W
- **Salida de CA:** 120 V en cada tomacorrientes, 500 W compartidos / máximo 1000 W
- **Salida de CD:** 120 W (12 V/10 A)
- **Salida USB:** (salida total de 90 W): **USB-A:** 2 × 12 W (5 V/2,4 A), **USB-C:** 1 × 15 W (5 V/3 A), **USB-C PD:** 1 × 60 W (5 V a 20 V/3 A)
- **Altitud máxima de funcionamiento y almacenamiento:** 6562' (2000 m)
- **Humedad máxima de funcionamiento y almacenamiento:** <75 %, sin condensación
- **Temperatura de funcionamiento:** 14 a 104 °F (-10 a 40 °C)
- **Temperatura de carga:** 32 a 104 °F (0 a 40 °C)
- **Temperatura de almacenamiento:** -4 a 113 °F (-20 a 45 °C)
- **Dimensiones:** 11,8" × 7,5" × 7,3" (30,0 × 19,1 × 18,5 cm)
- **Peso:** 13,9 lbs (6,3 kg)
- **Vida útil esperada:** 500 ciclos al 80 % de capacidad típica (dependiendo del uso y cuidado)
- **Normas:** FCC, UN38.3, DOE/CEC, NRCAN
- **Tiempo de carga (adaptador CA proporcionado):** carga completa en 8 a 10 horas
- **Tiempo de carga (entrada máxima de 105 W):** carga completa en 7 horas
- **Tiempo de carga (adaptador/cargador de automóvil proporcionado):** carga completa en 12 horas
- **Almacenamiento:** cargar cada 3 meses (cargar completamente antes de almacenar)
- **Transporte:** esta batería de iones de litio es considerada un material peligroso (mercancía peligrosa) por el Departamento de Transporte de los Estados Unidos y otras autoridades de transporte y ha sido sometida a pruebas de conformidad con los requisitos de prueba de baterías de litio UN38.3. La capacidad de vatios-hora es de 505 Wh. Si se envía al extranjero por vía aérea, la batería se debe empaquetar y transportar de acuerdo con las Normativas de la IATA relativas a las mercancías peligrosas. Instrucciones de embalaje 965, Sección IA. Se deben cumplir todos los requisitos de etiquetado del paquete y se deben diligenciar los documentos de envío pertinentes. Los envíos por vía marítima (océano) y por automóvil deben cumplir con las normativas aplicables relativas a las mercancías peligrosas para dichos modos de transporte. Conserve TODOS los materiales de envío y embalaje para usarlos posteriormente. Llame al servicio al cliente para reemplazar el empaque original en caso de que este se pierda o se dañe.

Especificaciones sujetas a cambios.

⚠ ADVERTENCIAS

Para garantizar un funcionamiento y servicio seguros del central eléctrica, siga estas instrucciones. El incumplimiento de estas advertencias puede provocar lesiones graves o la muerte.

- **NO** use la batería portátil excediendo su capacidad de salida. Las sobrecargas de salida por encima de la capacidad pueden provocar riesgo de incendio o lesiones personales.
- Usar una fuente de alimentación, cargador o cable no recomendado ni vendido por el fabricante de la batería portátil puede provocar riesgo de incendio o lesiones personales.
- **NO** utilice la batería portátil ni el cargador de pared de CA si están dañados o fueron modificados. Las baterías dañadas o modificadas pueden presentar comportamientos impredecibles que pueden provocar incendios, explosiones o riesgo de lesiones.
- **NO** la someta a vibraciones, impactos o caídas. Asegure la unidad durante el transporte. Es posible que la carcasa no muestre señales de daño, pero los componentes internos pueden estar comprometidos. Se recomienda reemplazar la unidad si sufre alguno de estos eventos de gravedad.
- **NO** exponga la batería portátil a la humedad, lluvia o nieve.
- Manténgala lejos de campos eléctricos de alto voltaje.
- **NO** intente reparar la batería portátil ni el cargador de pared de CA. No contiene en su interior componentes que el usuario pueda reparar.
- Riesgo de incendio y quemaduras; no la abra, aplaste, caliente a más de 140 °F (60 °C) ni incinere. Siga todas las instrucciones.
- **NO** se debe utilizar con tipos de conectores ni adaptadores que no figuren en la etiqueta del producto.
- **NO** opere la unidad con las manos húmedas.
- **NO** apoye la unidad sobre su costado ni su parte superior cuando la use o almacene.
- Si observa óxido, olores fuertes, sobrecalentamiento u otras circunstancias anormales, deje de usarla y comuníquese con servicio al cliente de Blackfire.

CONFORMIDAD

CONFORMIDAD CON LA NORMATIVA FCC/IC

Este dispositivo se ha sometido a pruebas y se determinó que cumple con los límites para un dispositivo digital Clase B, según se estipula en la Parte 15 de las normas de la FCC. Estos límites están previstos para brindar protección razonable contra interferencia perjudicial en instalaciones residenciales. Este dispositivo genera, emplea y puede irradiar energía de radiofrecuencia y, si no se lo instala y se lo utiliza de conformidad con las instrucciones, puede causar interferencia perjudicial en las radiocomunicaciones. Sin embargo, no existen garantías de que esa interferencia no se produzca en una instalación en particular. Si este equipo ocasiona interferencia perjudicial en la recepción de radio o televisión, lo que se puede determinar apagando y encendiendo el equipo, se recomienda al usuario que intente corregir la interferencia tomando una o varias de las siguientes medidas:

- Reorientar o reubicar la antena receptora.
- Aumentar la separación entre el equipo y el receptor.
- Conectar el equipo a un tomacorrientes de un circuito que no sea aquel al que está conectado el receptor.
- Consultar al distribuidor o a un técnico especializado en radio/televisión.

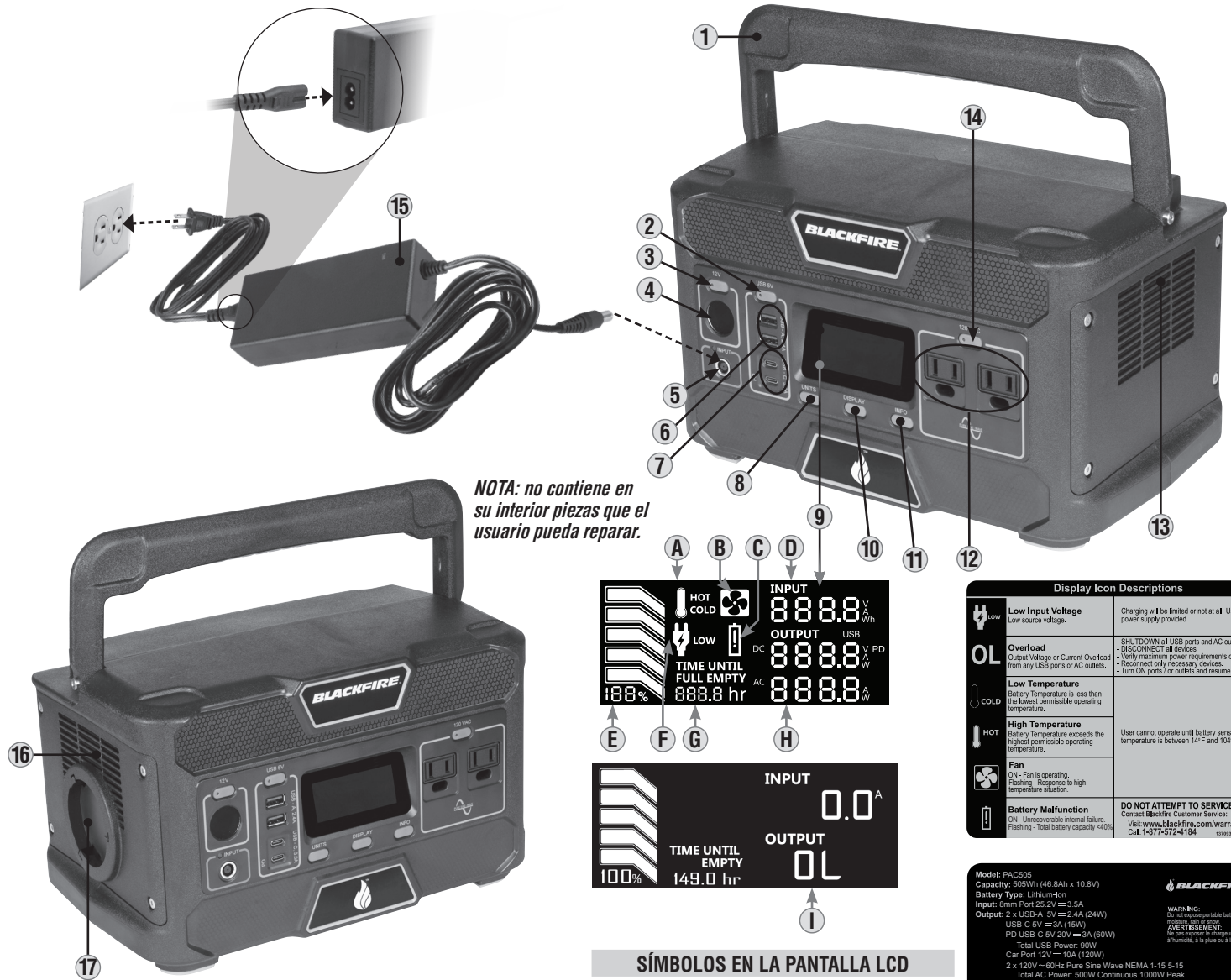
NOTA: el concesionario no es responsable de los cambios o modificaciones no aprobadas expresamente por la parte responsable de hacer cumplir las normas. Dichas modificaciones podrían invalidar la autoridad del usuario para operar el equipo.

NOTIFICACIÓN DE LA IC PARA USUARIOS EN CANADÁ

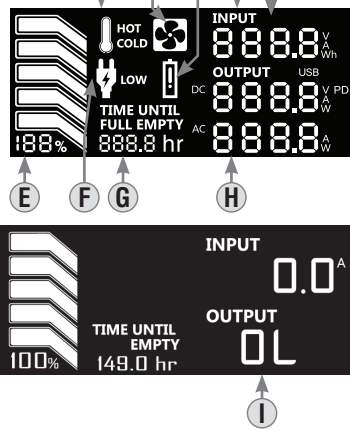
Este dispositivo cumple con la(s) norma(s) RSS exenta(s) de licencia de Industry Canada. Su funcionamiento está sujeto a las siguientes dos condiciones: (1) este dispositivo no debe provocar interferencia perjudicial, y (2) este dispositivo debe aceptar cualquier interferencia recibida, incluida la que pueda causar un funcionamiento no deseado.

Este dispositivo cumple con la norma RSS-247 de Industry Canada. Su funcionamiento está sujeto a la condición de que este dispositivo no ocasione interferencia perjudicial. Este aparato digital Clase B cumple con la normativa canadiense ICES-003.

DETALLES DE LAS CARACTERÍSTICAS



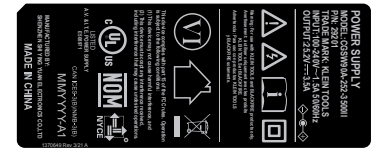
NOTA: no contiene en su interior piezas que el usuario pueda reparar.



Display Icon Descriptions		
	Low Input Voltage Low source voltage.	Charging will be limited or not at all. Use power supply provided.
	Overload Output Voltage or Current Overload from any USB ports or AC outlets.	- SHUTDOWN all USB ports and AC outlets. - DISCONNECT all devices. - Verify maximum power requirements of all devices. - Reconnect only necessary devices. - Turn ON ports for outlets and resume operation.
	Low Temperature Battery Temperature is less than the lowest permissible operating temperature.	
	High Temperature Battery Temperature exceeds the highest permissible operating temperature.	User cannot operate until battery senses temperature is between 14°F and 104°F.
	Fan ON - Fan is operating, Flashing - Response to high temperature situation.	
	Battery Malfunction ON - Unrecoverable internal failure, Flashing - Total battery capacity <40%	DO NOT ATTEMPT TO SERVICE Contact Blackfire Customer Service: Visit www.blackfire.com/warranty Call: 1-877-572-4184

Model: PAC505 Capacity: 505Wh (46.8Ah x 10.8V) Battery Type: Lithium-Ion Inputs: 8mm Port 25.2V = 3.5A Output: 2x USB-A, 5V = 2.4A (24W) USB-C 5V = 3A (15W) PD USB-C 5V-20V = 3A (60W) Total USB Power: 80W Car Port 12V = 10A (120W) 2 x 120V = 60Hz Pure Sine Wave NEMA 1-15 5-15 Total AC Power: 500W Continuous, 1000W Peak Operating Temperature: 32 - 104°F (0 - 40°C) Charging 14 - 104°F (-10 - 40°C) Discharging S/N: 002780011001 MMYYRA1	
--	--

SÍMBOLOS EN EL CARGADOR DE PARED	
	Advertencia o precaución
	Riesgo de choque eléctrico
	Lea las instrucciones
	Solo para uso en interiores
	Doble aislamiento
	Clasificación de eficiencia
	Este producto cumple con las normas aplicables de UL
	Este producto cumple las normas aplicables NOM
	WEEE - Eliminación de equipos electrónicos



CARACTERÍSTICAS DE LA BATERÍA

- | | |
|---|--|
| 1. Asa | 10. Botón "DISPLAY" (PANTALLA) |
| 2. Botón de encendido y apagado de salida de USB | 11. Botón "INFO" (INFORMACIÓN) |
| 3. Botón de encendido y apagado de salida del puerto de automóvil | 12. Tomacorrientes de CA (120 V / 500 W) |
| 4. Salida del puerto de automóvil (12 V/10 A) | 13. Rejilla de entrada de aire con ventilador |
| 5. Entrada de carga de CA (8 mm) | 14. Botón de encendido y apagado de tomacorrientes de CA |
| 6. Puertos USB-A (5 V/2,4 A) | 15. Cargador de pared de CA |
| 7. Puerto USB-C (5 V/3 A a 60 W PD) | 16. Rejilla de salida de aire |
| 8. Botón "UNITS" (UNIDADES) | 17. Montaje para accesorios de Blackfire |
| 9. Pantalla LCD | |

SÍMBOLOS EN LA BATERÍA

- | | | | |
|--|--------------------------|--|---|
| | Advertencia o precaución | | Riesgo de choque eléctrico |
| | Lea las instrucciones | | Cumple con las normas BCS de la Comisión de Energía de California |
| | Doble aislamiento | | Reciclable |

CARACTERÍSTICAS DE LCD

- | | |
|---|--|
| A. Indicador caliente / frío | F. Indicador de voltaje de entrada bajo |
| B. Ventilador | G. Tiempo hasta carga completa / sin carga |
| C. Indicador de funcionamiento incorrecto de la batería | H. Información de salida |
| D. Información de entrada | I. Indicador de condición de sobrecarga |
| E. Indicador del nivel de batería | |

SÍMBOLOS EN LA PANTALLA LCD

- MODO BAJO**: Voltaje de entrada bajo. Esto resultará en una carga muy limitada o ninguna carga. Se recomienda usar únicamente el cargador de pared proporcionado.
- OL**: Consulte CONDICIÓN DE SOBRECARGA en la sección de INSTRUCCIONES DE FUNCIONAMIENTO de este manual.
- CALIENTE**: La temperatura de la batería es mayor que la temperatura nominal de funcionamiento; la unidad podría no funcionar o proporcionar capacidades limitadas de salida bajo estas condiciones. Consulte ESPECIFICACIONES GENERALES para conocer la temperatura de funcionamiento.
- FRÍO**: La temperatura de la batería es menor que la temperatura nominal de funcionamiento; la unidad podría no funcionar o proporcionar capacidades limitadas de salida bajo estas condiciones. Consulte ESPECIFICACIONES GENERALES para conocer la temperatura de funcionamiento.
- Ventilador**: el icono de ventilador se encenderá cuando el ventilador está en funcionamiento. Esto ocurre en situaciones de grandes cargas para un mayor enfriamiento. El icono de ventilador puede parpadear durante condiciones de sobrecarga.
- Funcionamiento incorrecto de la batería**: el icono de funcionamiento incorrecto de la batería parpadeará cuando la estación de carga ya no pueda cargar por encima del 40 % de su capacidad original. Si el icono permanece encendido sin parpadear, el modelo PAC505 ha sufrido una falla irreversible. **NO INTENTE REALIZAR MANTENIMIENTO** Comuníquese directamente con el servicio al cliente de Blackfire. Visite: www.blackfire.com/warranty Llame al: 1-877-572-4184

BOTONES DE FUNCIONES

DETALLES DE ENTRADA Y SALIDA EN PANTALLA

La pantalla del modelo PAC505 está diseñada para proporcionar los datos del rendimiento de entrada y salida en tiempo real en todos los puertos de manera combinada e individual y en caso de que se sigan protocolos de salida específicos.

BOTÓN “UNITS” (UNIDADES)

Presiónelo para obtener los parámetros de entrada y salida en vatios (W), vatios-hora (Wh), voltios (V), y amperios (A), según corresponda. Presione el botón y en la pantalla, el icono de unidad cambiará según los resultados de rendimiento actualizados.

BOTÓN “INFO” (INFORMACIÓN)

Presiónelo para desplazarse entre la entrada y salida de todos los puertos, o puertos de manera individual (según corresponda).

BOTÓN “DISPLAY” (PANTALLA)

Presione el botón “DISPLAY” (PANTALLA) para mantener encendida la pantalla LCD durante 60 segundos. Mantenga presionado el botón “DISPLAY” (PANTALLA) durante más de 3 segundos para mantener la pantalla LCD encendida indefinidamente. La pantalla parpadeará para alertar al usuario de que permanecerá encendida; presionar el botón “DISPLAY” (PANTALLA) apagará la pantalla.

DETALLES QUE SE MUESTRAN EN LA PANTALLA LCD

NIVEL DE BATERÍA (E): El nivel de la batería se muestra por medio del porcentaje de carga de la batería y la cantidad de barras correspondientes. Las barras del nivel de la batería corresponden al nivel de carga actual; 0-20 %, 21-40 %, 41-60 %, 61-80 %, y más del 81 % cuando las cinco barras están iluminadas.

TIEMPO HASTA CARGA COMPLETA / SIN CARGA (G): Le proporciona al usuario datos telemétricos en tiempo real sobre el tiempo restante para que la batería se cargue por completo o quede sin carga, con base en la energía que entra o sale de la batería. Tenga en cuenta que este valor se puede ajustar varias veces a medida que cambia el flujo de energía de los dispositivos conectados. Esto es evidente durante la activación inicial de los puertos con dispositivos conectados.

ENTRADA (D): La PAC505 es capaz de suministrar energía de entrada en vatios, vatios-hora o amperios.

SALIDA (H): la pantalla mostrará las características de salida de todos los puertos, incluyendo el puerto de 12 V de automóvil, los puertos de CA y los puertos USB. Los detalles de esta función figuran a continuación en la sección INSTRUCCIONES DE FUNCIONAMIENTO. La potencia de salida que muestra la estación de carga será precisa con ± 10 %.

VENTILADOR DE ENFRIAMIENTO (B): La PAC505 utiliza un ventilador de enfriamiento interno para garantizar que el producto funciona dentro del rango de temperatura apropiado. Cuando la unidad experimenta una carga de salida mayor, apagará automáticamente el ventilador. Durante la descarga, y posiblemente la carga, es posible que el ventilador funcione de forma intermitente para mantener la temperatura interna dentro del rango de funcionamiento. Es probable que el ventilador se encienda cuando se activa el circuito de CA para garantizar el funcionamiento adecuado.

INSTRUCCIONES DE FUNCIONAMIENTO

CARGAR LA PAC505

⚠ Cargue la unidad únicamente con el cargador de pared de CA proporcionado (Klein, Cat. n.º 29201), el cargador del puerto de 12 V de automóvil (Klein, Cat. n.º 29209) o el adaptador de APP® a 8 mm (Klein, Cat. n.º 29205) (entrada máx. de 105 W).

⚠ Cargue la unidad en interiores.

Conecte el cargador de pared de CA (15) a la entrada del cargador de CA (5) y permita que la PAC505 se cargue por completo antes de usarla (aproximadamente 9 horas). La pantalla LCD indicará el nivel de carga (E) y el tiempo hasta llegar a la carga completa (G). La unidad está completamente cargada cuando el nivel es 100. Se recomienda cargar la PAC505 por completo cada 3 meses para que el paquete de baterías se mantenga en buenas condiciones.

ENERGIZAR / CARGAR DISPOSITIVOS CON LA PAC505

Seleccione el tipo de tomacorrientes necesario presionando el botón de encendido y apagado de salida de USB (2) o el botón de encendido y apagado de tomacorrientes de CA (14). El puerto del tomacorrientes NO funcionará hasta que presione el botón apropiado para activar el puerto. Cuando se active, el indicador del botón se iluminará de color verde, indicando que la(s) salida(s) está(n) activa(s), y la pantalla LCD se encenderá y proporcionará información sobre la salida de carga. Presione el (los) botón(es) de encendido y apagado para apagar la(s) salida(s) cuando no se use(n). La pantalla LCD se apagará automáticamente cuando no haya salidas activadas.

La PAC505 pasará al modo de reposo después de 90 segundos de inactividad (no se detecta carga de salida), y se reactivará cuando se conecte un cable de carga o se presione cualquier botón.

CARGA POR TRANSFERENCIA

El avanzado sistema de gestión de baterías de la PAC505 le permite cargar un dispositivo conectado mientras que la unidad del cargador de pared está conectada a la PAC505. La PAC505 es capaz de proporcionar más salidas de las que puede proporcionar la entrada del cargador de pared. Por lo tanto, es posible que la PAC505 siga agotando la capacidad de la batería dependiendo de la carga requerida por el dispositivo conectado que se está cargando.

CONDICIÓN DE SOBRECARGA

Si se muestra el símbolo de condición de sobrecarga (“OL”) en la pantalla LCD, siga estos pasos:

- Apague los puertos USB (2) y los tomacorrientes de CA (14). La luz indicadora verde se apagará cuando los puertos / tomacorrientes se apaguen.
- Desconecte todos los dispositivos, incluido el cable de carga de la PAC505.
- Verifique los requisitos de potencia máxima de todos los dispositivos y confirme que los requisitos de potencia de los dispositivos no exceden la capacidad del modelo PAC505 (consulte ESPECIFICACIONES GENERALES).
- Vuelva a conectar *únicamente* los dispositivos necesarios.
- Apague los puertos USB y/o tomacorrientes de CA y reanude el funcionamiento.

Si ocurre una condición de sobrecarga en el puerto de entrada, la batería portátil apagará automáticamente el puerto de entrada. El puerto se reactivará cuando la fuente de entrada cumpla las especificaciones señaladas en la sección ESPECIFICACIONES GENERALES. Cargue la unidad únicamente con el cargador de pared de CA proporcionado.

MONTAJE PARA ACCESORIOS DE BLACKFIRE (17)

Para conectar un accesorio de Blackfire al modelo PAC505, como el altavoz inalámbrico para el lugar de trabajo (AEPJS1), alinee las pestañas de la brida de montaje del accesorio con las ranuras del montaje para accesorios del modelo PAC505, e insértelo y gírelo en sentido a las agujas del reloj para bloquearlo en su posición. Para retirar el accesorio, gírelo en sentido contrario a las agujas del reloj y jálelo.

SOLUCIÓN DE PROBLEMAS

LA PAC505 NO CARGA LOS DISPOSITIVOS CONECTADOS, O ESTOS NO FUNCIONAN:

- Asegúrese de que los puertos de salida ④, ⑥, ⑦ y/o ⑫ estén activados presionando el botón ②, ③ y/o ⑭ del (de los) puerto(s) en uso.
- Confirme que el dispositivo conectado es compatible con el modelo PAC505 revisando las especificaciones de salida señaladas en la sección ESPECIFICACIONES GENERALES.
- Confirme que la batería está cargada revisando el nivel de carga ⑤. Es posible que deba hacer que se muestre en la pantalla presionando el botón "INFO" (INFORMACIÓN) ⑪.
- Verifique si se muestra un icono de advertencia ①, ②, ③ o ④ en la pantalla LCD ⑨.

LA PAC505 NO SE CARGA:

- Verifique que la entrada del cargador de CA ⑤ esté iluminada. De no ser así, es posible que el cargador de CA que esté usando no proporcione una salida.
- Confirme que el cable del cargador está completamente insertado en la entrada del cargador de CA.
- Confirme que el cargador de pared de CA ⑮ es el cargador proporcionado con la PAC505.
- Es posible que se muestre el icono de voltaje de entrada bajo ⑥ en la pantalla LCD si la entrada no cumple con los requisitos señalados en la sección de ESPECIFICACIONES GENERALES.

NOTA: la pantalla LCD ⑨ mostrará otros códigos de falla que se pueden consultar en la sección de DETALLES DE LAS CARACTERÍSTICAS.

LIMPIEZA

Asegúrese de que la PAC505 esté desconectada de cualquier fuente de potencia de entrada o dispositivo de salida. Utilice un paño limpio, seco y suave que no deje pelusas para limpiar la unidad. Retire los residuos, suciedad u obstrucciones de las rejillas en ambos lados. Cuando limpie residuos de las rejillas laterales, no permita que los residuos, suciedad u otras obstrucciones entren en el cuerpo de la PAC505.

No utilice solventes ni limpiadores abrasivos.

No utilice aire comprimido para limpiar las rejillas de enfriamiento laterales, ya que esto puede forzar partículas extrañas en los circuitos internos.

⚠ Para evitar el riesgo de choque eléctrico, NO utilice objetos metálicos para limpiar los puertos.

MANTENIMIENTO

Recárguela, según sea necesario. No hay intervalos predefinidos según los cuales se deba recargar, siempre y cuando la PAC505 se use regularmente. Evite descargarla completamente de manera regular, ya que esto puede afectar su vida útil general.

Inspeccione regularmente todos los puertos y el cargador de pared, verificando que no tengan residuos, suciedad, daños ni corrosión. **NO** intente repararla.

Examine las rejillas laterales con regularidad para detectar la acumulación de suciedad o polvo, y límpielas siguiendo los procedimientos de limpieza señalados en el manual.

ALMACENAMIENTO

Si la almacena por más de 1 mes, cárguela completamente antes de almacenarla, y recárguela aproximadamente cada 3 meses para evitar que se descargue completamente o tenga posibles daños.

Almacénela en interiores en un ambiente fresco, con poca humedad, y lejos de la luz solar directa (vea la sección ESPECIFICACIONES GENERALES). Si la deja en un vehículo o en otros espacios reducidos bajo temperaturas extremadamente altas, se puede reducir su vida útil, provocar sobrecalentamiento y un incendio. Las condiciones extremadamente frías, por debajo del rango de almacenamiento especificado, también pueden afectar el rendimiento y la vida útil.

Manténgala alejada de gases y sustancias químicas corrosivas

Después de retirar la PAC505 del almacenamiento, realice una inspección visual para asegurarse de que su apariencia y la de todos sus accesorios es correcta. Revise las rejillas laterales de entrada y de salida para asegurarse de que están libres de residuos. Permita que la unidad regrese a condiciones de ambiente antes de recargarla o cargar otros dispositivos.

GARANTÍA

www.blackfire.com/warranty

ELIMINACIÓN/RECICLAJE



No arroje el equipo ni sus accesorios a la basura o en el contenedor de reciclaje público. Los elementos se deben reciclar correctamente de acuerdo con las normativas locales. Consulte www.epa.gov/recycle para obtener más información.

SERVICIO AL CLIENTE

Blackfire, INC.
 661 E Main St, Unit 200-117 Midlothian, Texas 76065
 1-877-572-4184
customerservice@blackfire.com
www.blackfire.com

*APP es una marca registrada de Anderson Power Products, Inc.

NOTAS



FRANÇAIS

PAC505

MANUEL D'UTILISATION

Bloc d'alimentation portatif

- BATTERIE AU LITHIUM-ION SILENCIEUSE D'UNE CAPACITÉ DE 505 WH (46,8 AH/10,8 V)
- ALIMENTATION POLYVALENTE GRÂCE AUX QUATRE PORTS USB (DONT DEUX PORTS USB-C) ET AUX DEUX PRISES C.A.
- ÉCRAN ACL NUMÉRIQUE AFFICHANT LES DONNÉES DE PERFORMANCE EN TEMPS RÉEL



CARACTÉRISTIQUES GÉNÉRALES

La batterie PAC505 de Blackfire est un bloc d'alimentation portatif capable de fournir une puissance de 500 W en courant alternatif sinusoïdal à l'aide des deux prises c.a. intégrées. De plus, le bloc d'alimentation permet la recharge USB rapide grâce à deux ports USB-C intégrés (dont l'un est de type Power Delivery [PD]), à deux ports USB-A et à une prise allume-cigare de 12 V. Utilisez l'adaptateur c.a. fourni pour recharger la batterie PAC505. La capacité de stockage globale est de 505 Wh d'énergie.

- **Capacité** : 505 Wh (46,8 Ah/10,8 V)
- **Type de batterie** : 18650
- **Composition chimique de la batterie** : Lithium-ion
- **Entrée de 8 mm** : De 13 à 30 V, 3,5 A, 105 W au maximum
- **Sortie c.a.** : 120 V par prise, 500 W partagés/1000 W en courant de crête
- **Sortie c.c.** : 120 W (12 V/10 A)
- **Sortie USB** (puissance de sortie totale de 90 W) : **USB-A** : 2 ports de 12 W (5 V/2,4 A), **USB-C** : 1 port de 15 W (5 V/3 A), **USB-C PD** : 1 port de 60 W (de 5 à 20 V/3 A)
- **Altitude maximale de fonctionnement et d'entreposage** : 2000 m (6562 pi)
- **Humidité maximale de fonctionnement et d'entreposage** : < 75 % sans condensation
- **Température de fonctionnement** : -10 °C à 40 °C (14 °F à 104 °F)
- **Température de recharge** : 0 °C à 40 °C (32 °F à 104 °F)
- **Température d'entreposage** : -20 °C à 45 °C (-4 °F à 113 °F)
- **Dimensions** : 30,0 × 19,1 × 18,5 cm (11,8 × 7,5 × 7,3 po)
- **Poids** : 6,3 kg (13,9 lb)
- **Durée de vie** : 500 cycles à une capacité typique de 80 % (selon l'utilisation et l'entretien)
- **Normes** : FCC, UN38.3, DOE/CEC, NRCAN
- **Temps de recharge (avec l'adaptateur c.a. fourni)** : Recharge complète en 8 à 10 heures
- **Temps de recharge (avec une puissance d'entrée maximale de 105 W)** : Recharge complète en 7 heures
- **Temps de recharge (avec le chargeur pour prise allume-cigare fourni)** : Recharge complète en 12 heures
- **Espace de rangement** : Recharger tous les trois mois (recharger complètement avant l'entreposage)
- **Transport** : Cette batterie au lithium-ion est réglementée comme matière dangereuse (marchandises dangereuses) par le ministère des Transports (DOT) des États-Unis et d'autres autorités de transport et elle a été mise à l'essai conformément aux exigences d'essai des batteries au lithium UN38.3. Sa capacité nominale est de 505 Wh. Si la batterie est expédiée par voie aérienne, elle doit être emballée et transportée conformément à la section IA de l'instruction d'emballage 965 du Règlement sur les marchandises dangereuses de l'Association du transport aérien international (ATA). Toutes les exigences en matière d'étiquetage des emballages doivent être respectées et les documents d'expédition pertinents doivent être remplis. Les expéditions par navire (océan) et par véhicule à moteur doivent être conformes à la réglementation applicable aux marchandises dangereuses pour ces modes de transport. Conservez TOUS les documents d'expédition et l'emballage d'origine pour une utilisation ultérieure. Appelez le service à la clientèle pour obtenir un emballage de recharge si l'emballage d'origine est perdu ou endommagé.

Les caractéristiques techniques peuvent faire l'objet de modifications.

⚠ AVERTISSEMENTS

PPour garantir une utilisation et un entretien sécuritaires de l'appareil, suivez ces instructions. Le non-respect de ces avertissements peut entraîner des blessures graves, voire la mort.

- **NE DÉPASSEZ PAS** la puissance de sortie de la batterie portative. Une surcharge risque de causer un incendie ou des blessures.
- L'utilisation d'une source d'alimentation, d'un chargeur ou d'un câble autre que ceux recommandés ou vendus par le fabricant de la batterie portative risque de causer un incendie ou des blessures.
- **N'UTILISEZ PAS** une batterie portative ou un chargeur mural c.a. qui a été endommagé ou modifié. Des batteries endommagées ou modifiées risquent de produire des effets imprévisibles et de causer des incendies, des explosions ou des blessures.
- **N'EXPOSEZ PAS** l'appareil à des vibrations, à des chocs ou à des chutes. Sécurisez l'appareil pendant le transport. Le boîtier pourrait sembler intact même si les composants internes sont endommagés. Il est recommandé de remplacer l'appareil s'il est soumis à de telles conditions.
- **N'EXPOSEZ PAS** la batterie portative à l'humidité, à la pluie ou à la neige.
- Conservez l'appareil à l'écart des champs électriques haute tension.
- **N'ESSAYEZ PAS** de réparer la batterie portative ou le chargeur mural c.a. Cet appareil ne contient aucun composant réparable par l'utilisateur.
- Risque d'incendie et de brûlures. N'ouvrez pas cet appareil, ne l'écrasez pas, ne le chauffez pas à une température supérieure à 60 °C (140 °F) et ne le brûlez pas. Suivez toutes les instructions.
- Cet appareil **N'EST PAS** destiné à être utilisé avec des fiches ou des adaptateurs de types différents de ceux figurant sur l'étiquette du produit.
- **NE MANIPULEZ PAS** l'appareil si vous avez les mains mouillées.
- **NE PLACEZ PAS** l'appareil sur le côté ou à l'envers pendant l'utilisation ou l'entreposage.
- Si vous remarquez de la rouille, des odeurs, une surchauffe ou d'autres circonstances anormales, cessez d'utiliser l'appareil et communiquez avec le service à la clientèle de Blackfire.

CONFORMITÉ

CONFORMITÉ FCC ET IC

Cet appareil a fait l'objet d'essais prouvant qu'il respecte les limites imposées aux appareils numériques de classe B, conformément à la partie 15 des règles de la FCC. Ces limites sont destinées à fournir une protection raisonnable contre les interférences nuisibles dans une installation résidentielle. Cet appareil génère, utilise et peut émettre des radiofréquences; s'il n'est pas installé et utilisé conformément à ces instructions, il peut causer des interférences nuisibles aux communications radio. Il n'existe toutefois aucune garantie que des interférences ne se produiront pas dans une installation particulière. Si l'appareil cause des interférences nuisibles à la réception des signaux de radio ou de télévision, ce qui peut être déterminé en éteignant et en allumant l'appareil, l'utilisateur peut tenter de corriger la situation par un ou plusieurs des moyens suivants :

- Réorienter ou rélocaliser l'antenne réceptrice.
- Augmenter la distance entre l'appareil et le récepteur.
- Brancher l'appareil dans une prise ou sur un circuit électrique différent de celui ou celle où le récepteur est branché.
- Demander de l'aide au détaillant ou à un technicien expérimenté en radio ou en télévision.

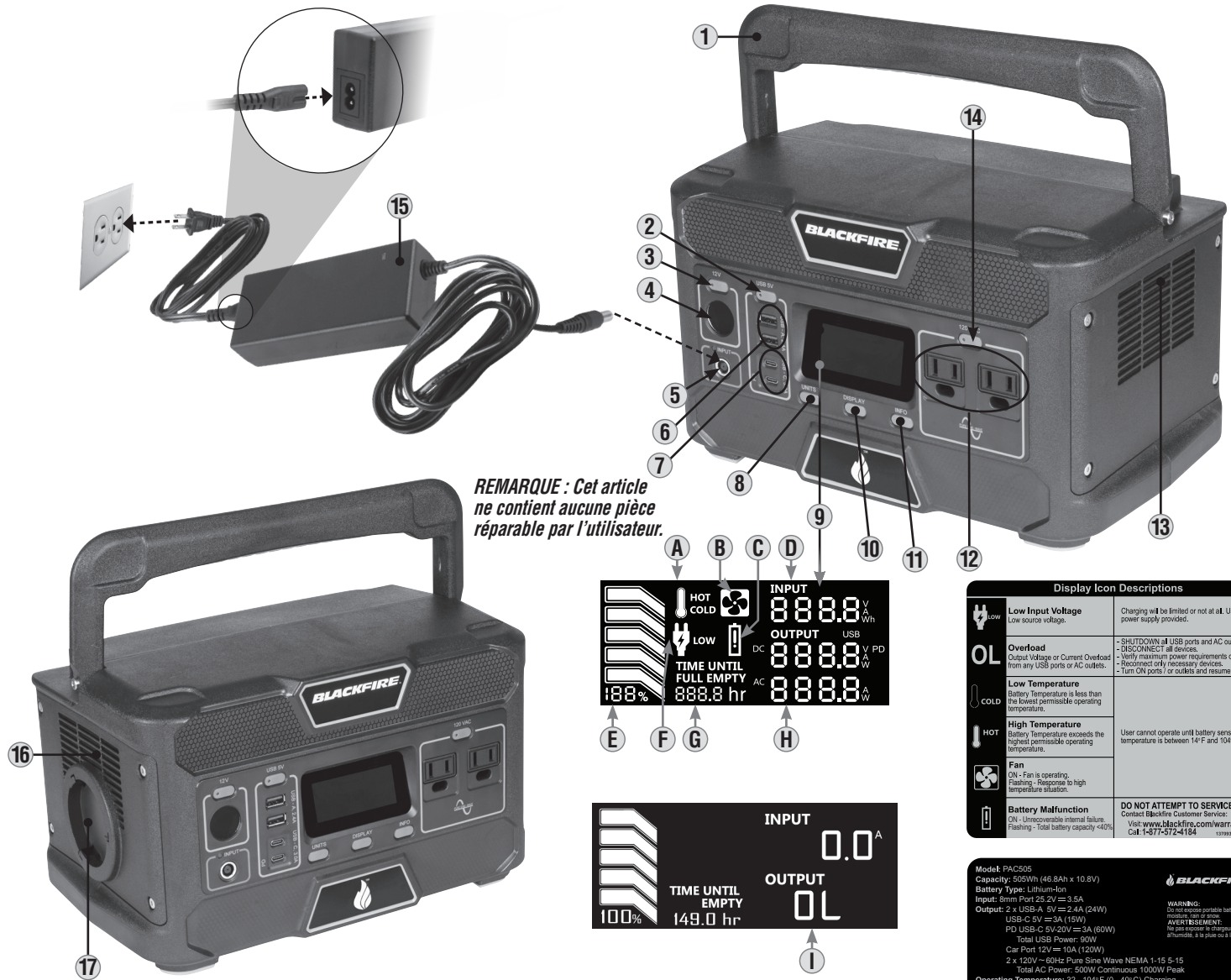
REMARQUE : Le concessionnaire n'est pas responsable des changements ou des modifications qui ne sont pas expressément approuvés par la partie responsable de la conformité. De telles modifications pourraient annuler le droit de l'utilisateur d'utiliser l'appareil.

AVIS D'INDUSTRIE CANADA AUX UTILISATEURS CANADIENS

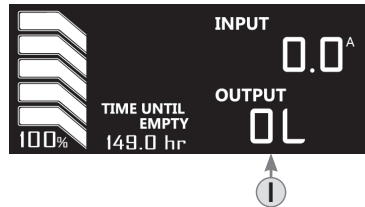
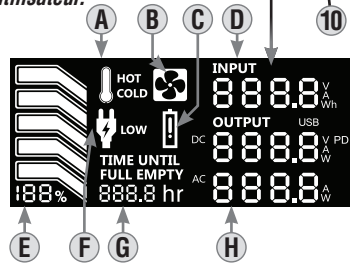
Cet appareil est conforme aux normes CNR d'Industrie Canada portant sur les appareils exempts de licence. Son fonctionnement est soumis aux deux conditions suivantes : (1) cet appareil ne peut causer d'interférences nuisibles; et (2) il doit accepter toute interférence reçue, notamment celles pouvant entraîner un fonctionnement indésirable.

Cet appareil est conforme à la norme CNR-247 d'Industrie Canada. Le fonctionnement est soumis à la condition que cet appareil ne produit pas d'interférences nuisibles. Cet appareil numérique de classe B est conforme à la norme canadienne NMB-003.

CARACTÉRISTIQUES DÉTAILLÉES



REMARQUE : Cet article ne contient aucune pièce réparable par l'utilisateur.



Display Icon Descriptions	
	Low Input Voltage Low source voltage. Charging will be limited or not at all. Use power supply provided.
	Overload Output Voltage or Current Overload from any USB ports or AC outlets. - SHUTDOWN all USB ports and AC outlets. - DISCONNECT all devices. - Verify maximum power requirements of all devices. - Reconnect only necessary devices. - Turn ON ports for outlets and resume operation.
	Low Temperature Battery Temperature is less than the lowest permissible operating temperature.
	High Temperature Battery Temperature exceeds the highest permissible operating temperature. User cannot operate until battery senses temperature is between 14°F and 104°F.
	Fan ON - Fan is operating. Flashing. - Response to high temperature situation.
	Battery Malfunction ON - Unrecoverable internal failure. Flashing - Total battery capacity <40% DO NOT ATTEMPT TO SERVICE Contact Blackfire Customer Service: Visit www.blackfire.com/warranty Call: 1-877-572-4184

Model: PAC505	
Capacity: 505Wh (48.8Ah x 10.5V)	<p>WARNING: Do not expose portable battery to moisture for any time. AVERTISSEMENT: Ne pas exposer le chargeur portable à l'humidité, à la pluie ou à la neige.</p> <p>S/N: 0027800911001 MMYYR-A1</p>
Battery Type: Lithium-Ion	
Input: 8mm Port 25.2V = 3.5A	
Output: 2 x USB-A 5V = 2.4A (24W)	
USB-C 5V = 3A (15W)	
PD USB-C 5V/20V = 3A (60W)	
Total USB Power: 90W	
Car Port 12V = 10A (120W)	
2 x 120V ~ 60Hz Pure Sine Wave NEMA 1-15 5-15	
Total AC Power: 500W Continuous 1000W Peak	
Operating Temperature: 32 - 104°F (0 - 40°C) Charging 14 - 104°F (-10 - 40°C) Discharging	

CARACTÉRISTIQUES DE LA BATTERIE

- | | |
|---|---|
| 1. Poignée | 10. Bouton DISPLAY (affichage) |
| 2. Bouton marche/arrêt de la sortie USB | 11. Bouton INFO (information) |
| 3. Bouton marche/arrêt de la sortie de la prise allume-cigare | 12. Prises c.a. (120 V/500 W) |
| 4. Sortie de la prise allume-cigare (12 V/10 A) | 13. Événement d'entrée d'air avec ventilateur |
| 5. Entrée de recharge c.a. (8 mm) | 14. Bouton marche/arrêt de la sortie c.a. |
| 6. Ports USB-A (5 V/2,4 A) | 15. Chargeur mural c.a. |
| 7. Ports USB-C (5 V/3 A, jusqu'à 60 W [PD]) | 16. Événement de sortie d'air |
| 8. Bouton UNITS (unités) | 17. Fixation pour accessoires Blackfire |
| 9. Écran ACL | |

SYMBOLES SUR LA BATTERIE

- | | | | |
|--|--------------------------------|--|--|
| | Avertissement ou mise en garde | | Risque de choc électrique |
| | Lire les instructions | | Conforme à la réglementation de la California Energy Commission relativement aux systèmes de recharge de batteries (BCS) |
| | Double isolation | | Recyclable |

CARACTÉRISTIQUES DE L'ÉCRAN ACL

- | | |
|---|--|
| A. Indicateur de température | F. Indicateur de basse tension d'entrée |
| B. Ventilateur | G. Temps restant avant la recharge/décharge complète |
| C. Indicateur de défaillance de la batterie | H. Statistiques de sortie |
| D. Statistiques d'entrée | I. Indicateur de surcharge |
| E. Indicateur de charge de la batterie | |

SYMBOLES À L'ÉCRAN ACL

Low Basse tension à la source. Il en résultera une recharge très limitée, voire nulle. Il est recommandé de n'utiliser que le chargeur mural fourni.

OL Voir SURCHARGE dans la section INSTRUCTIONS D'UTILISATION du présent manuel.

HOT La température de la batterie est supérieure à la température de fonctionnement nominale; il est possible que l'appareil ne fonctionne pas ou qu'il fournisse une puissance de sortie limitée pendant cette période. Voir la section CARACTÉRISTIQUES GÉNÉRALES pour connaître la température de fonctionnement nominale.

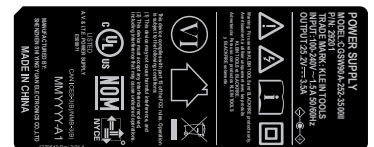
COLD La température de la batterie est inférieure à la température de fonctionnement nominale; il est possible que l'appareil ne fonctionne pas ou qu'il fournisse une puissance de sortie limitée pendant cette période. Voir la section CARACTÉRISTIQUES GÉNÉRALES pour connaître la température de fonctionnement nominale.

Ventilateur. Cette icône s'allume lorsque le ventilateur est en marche. Cette situation se produit lors de charges élevées afin d'accroître le refroidissement. L'icône du ventilateur peut clignoter en cas de surcharge.

Défaillance de la batterie. Cette icône clignote lorsque le bloc d'alimentation ne peut plus se recharger au-delà de 40 % de sa capacité d'origine. Si l'icône reste allumée sans clignoter, la batterie PAC505 présente une défaillance irréversible.
NE TENTEZ PAS DE RÉPARER LA BATTERIE. Communiquez directement avec le service à la clientèle de Blackfire. Visitez le : www.blackfire.com/warranty Composez le : 1-877-572-4184

SYMBOLES SUR LE CHARGEUR MURAL

- | | |
|--|--|
| | Avertissement ou mise en garde |
| | Risque de choc électrique |
| | Lire les instructions |
| | Pour un usage à l'intérieur seulement |
| | Double isolation |
| | Cote d'efficacité |
| | Ce produit respecte les normes UL applicables |
| | Ce produit respecte les normes applicables de la NOM |
| | DEEE – Élimination de l'équipement électronique |



BOUTONS DE FONCTION

DÉTAILS DE L’AFFICHAGE DES DONNÉES D’ENTRÉE ET DE SORTIE

L’écran de la batterie PAC505 affiche les données de performance combinée et individuelle en temps réel de l’entrée et de la sortie des ports. Il indique aussi l’utilisation de protocoles de sortie particuliers.

BOUTON UNITS (UNITÉS)

Appuyez sur ce bouton pour obtenir les paramètres d’entrée et de sortie en watts (W), en watts-heures (Wh), en volts (V) et en ampères (A), selon le cas. Si vous appuyez sur le bouton, l’icône de l’unité affichée sur l’écran changera suivant les résultats de performance actualisés.

BOUTON INFO (INFORMATION)

Appuyez sur ce bouton pour faire défiler les données d’entrée et de sortie des ports combinés ou individuels (selon le cas).

BOUTON DISPLAY (AFFICHAGE)

Appuyez sur ce bouton pour allumer l’écran ACL pendant 60 secondes. Appuyez sur le bouton et maintenez-le enfoncé pendant plus de 3 secondes pour maintenir l’écran ACL allumé indéfiniment. L’écran clignote pour avertir l’utilisateur qu’il restera allumé, et il suffit d’appuyer à nouveau sur le bouton pour éteindre l’écran.

DONNÉES AFFICHÉES SUR L’ÉCRAN ACL

NIVEAU DE LA BATTERIE (E) : Le niveau de la batterie est indiqué par un pourcentage ainsi que par un nombre de barres correspondant à la plage de pourcentage de charge. Les barres du niveau de la batterie correspondent à l’état actuel de charge, soit 0 à 20 %, 21 à 40 %, 41 à 60 %, 61 à 80 % et, finalement, 81 % et plus lorsque les cinq barres sont affichées.

TIME UNTIL EMPTY/FULL (TEMPS RESTANT AVANT LA RECHARGE/DÉCHARGE COMPLÈTE) (G) : Fournit à l’utilisateur des données de télémétrie en temps réel sur le temps restant avant que la batterie soit complètement rechargée ou déchargée, en fonction de l’énergie entrante et sortante. Veuillez noter que cette valeur peut s’ajuster à plusieurs reprises à mesure que la consommation d’énergie des appareils connectés change. Ces changements sont particulièrement marqués lors de l’activation initiale des ports où un appareil est connecté.

INPUT (ENTRÉE) (D) : La batterie PAC505 peut fournir l’énergie d’entrée en watts, en watts-heures ou en ampères.

OUTPUT (SORTIE) (H) : L’écran affiche les caractéristiques de sortie de tous les ports, y compris la prise allume-cigare de 12 V, les ports c.a. et les ports USB. Les détails sur cette fonction sont fournis ci-dessous dans la section INSTRUCTIONS D’UTILISATION. La puissance de sortie affichée par le bloc d’alimentation sera précise à 10 % près.

VENTILATEUR DE REFROIDISSEMENT (B) : La batterie PAC505 comporte un ventilateur de refroidissement interne pour s’assurer qu’elle demeure dans la plage de température appropriée pendant son fonctionnement. Le ventilateur s’allume automatiquement en cas de charge de sortie élevée. Pendant la décharge, et possiblement pendant la recharge, le ventilateur peut fonctionner de façon intermittente pour maintenir la température interne dans la plage de fonctionnement. Le ventilateur démarrera probablement lorsque le circuit c.a. sera activé, afin d’assurer le bon fonctionnement de l’appareil.

INSTRUCTIONS D’UTILISATION

RECHARGE DE LA BATTERIE PAC505

⚠ Ne rechargez l’appareil qu’avec le chargeur mural c.a. Klein fourni, n° de cat. 29201, le chargeur pour prise allume-cigare de 12 V de Klein fourni, n° de cat. 29209, ou l’adaptateur APP® vers 8 mm de Klein fourni, n° de cat. 29205 (puissance d’entrée maximale de 105 W).

⚠ Rechargez l’appareil à l’intérieur.

Branchez le chargeur mural c.a. (15) fourni à la prise d’entrée du chargeur c.a. (5) et laissez la batterie PAC505 se recharger complètement avant de l’utiliser. Et l’écran ACL indiquera le niveau de charge (E) ainsi que le temps restant avant la recharge complète (G). L’appareil est entièrement rechargé lorsque le niveau de charge est à 100 %. Il est recommandé de recharger complètement la batterie PAC505 tous les trois mois pour la maintenir en bon état.

ALIMENTATION ET RECHARGE D’APPAREILS AVEC LA BATTERIE PAC505

Sélectionnez le type de prise requis en appuyant sur le bouton marche/arrêt de la sortie USB (2) ou le bouton marche/arrêt de la sortie c.a. (14). Pour activer le port de sortie, il faut appuyer sur le bouton approprié, sinon, il NE FONCTIONNERA PAS. Lorsque le port est activé, le voyant du bouton s’allume en vert, ce qui indique que la ou les sorties sont activées, et l’écran ACL s’allume et fournit des données sur la sortie de charge. Appuyez sur le ou les boutons marche/arrêt pour désactiver la ou les sorties lorsqu’elles ne sont pas utilisées. L’écran ACL s’éteint automatiquement lorsqu’aucune sortie n’est activée.

La batterie PAC505 entre en mode veille après 90 secondes d’inactivité (aucune charge de sortie détectée) et sort de ce mode lorsqu’un câble de recharge est détecté ou qu’un bouton est enfoncé.

RECHARGE EN SÉRIE (PASS-THROUGH)

Le système avancé de gestion de la batterie permet de recharger un dispositif branché à la batterie PAC505 pendant que celle-ci est branchée au chargeur mural. La batterie PAC505 peut prendre en charge une puissance de sortie supérieure à celle fournie par le chargeur mural. Par conséquent, il se peut que la batterie PAC505 continue de se décharger, selon la charge requise par les appareils branchés en cours de recharge.

SURCHARGE

Si le symbole de surcharge « OL » apparaît à l’écran, procédez comme suit.

- Désactivez les ports USB (2) et les prises c.a. (14). Le voyant vert s’éteint lorsque les ports et les prises de courant sont désactivés.
- Débranchez tous les appareils, y compris le câble de recharge de la batterie PAC505.
- Vérifiez que les exigences d’alimentation maximale pour tous les appareils n’excèdent pas la capacité de la batterie PAC505 (voir la section CARACTÉRISTIQUES GÉNÉRALES).
- Rebranchez *seulement* les appareils nécessaires.
- Activez les ports USB et/ou les prises c.a. pour reprendre la recharge.

Si une surcharge se produit au port d’entrée, la batterie portable éteint automatiquement ce port. Le port sera réactivé lorsque la source d’entrée respectera les exigences décrites à la section CARACTÉRISTIQUES GÉNÉRALES. Rechargez la batterie uniquement avec le chargeur mural c.a. fourni.

FIXATION POUR ACCESSOIRES BLACKFIRE (17)

Pour fixer un accessoire Blackfire à la batterie PAC505, comme le haut-parleur sans fil pour chantier AEPJS1, alignez les languettes de la bride de fixation de l’accessoire avec les fentes de fixation pour accessoires de la batterie PAC505, puis insérez l’accessoire et tournez dans le sens horaire pour le verrouiller en place. Pour retirer l’accessoire, tournez-le dans le sens antihoraire et tirez.

DÉPANNAGE

LA BATTERIE PAC505 NE PERMET PAS DE RECHARGER OU DE FAIRE FONCTIONNER LES APPAREILS BRANCHÉS

- Assurez-vous que les ports de sortie ④, ⑥, ⑦ et/ou ⑫ sont activés en appuyant sur le ou les boutons ②, ③ et/ou ⑭ pour le ou les ports utilisés.
- Assurez-vous que le dispositif connecté convient à la batterie PAC505 en passant en revue les caractéristiques de sortie fournies dans la section CARACTÉRISTIQUES GÉNÉRALES.
- Vérifiez que la batterie est rechargée en examinant le niveau de charge ①. Il peut être nécessaire d'afficher cette information en appuyant sur le bouton INFO (information) ⑪.
- Vérifiez si un symbole d'avertissement ①, ②, ③ ou ④ est affiché à l'écran ACL ⑨.

LA BATTERIE PAC505 NE SE RECHARGE PAS

- Vérifiez que la prise d'entrée du chargeur c.a. ⑤ est allumée. Sinon, il est possible que le chargeur c.a. utilisé ne fournisse aucune puissance de sortie.
- Assurez-vous que le cordon du chargeur est bien inséré dans la prise d'entrée du chargeur c.a.
- Assurez-vous que le chargeur mural c.a. ⑮ utilisé est le chargeur fourni avec la batterie PAC505.
- Si la prise d'entrée n'est pas conforme aux exigences de la section CARACTÉRISTIQUES GÉNÉRALES, le symbole de basse tension d'entrée ⑥ pourrait apparaître à l'écran ACL.

REMARQUE : L'écran ACL ⑨ fournira des codes d'anomalie supplémentaires pouvant être vérifiés dans la section CARACTÉRISTIQUES DÉTAILLÉES.

NETTOYAGE

Assurez-vous de débrancher la batterie PAC505 de toute source d'alimentation et de tout appareil externe. Utilisez un linge propre, sec et non pelucheux pour essuyer la batterie. Retirez les débris, la saleté ou toute autre obstruction sur les deux événements latéraux. Lorsque vous nettoyez les débris des événements latéraux, ne laissez pas les débris, la saleté ou les obstructions pénétrer dans le boîtier de la batterie PAC505.

N'utilisez pas de nettoyeur abrasif ni de solvant.

N'utilisez pas d'air comprimé pour nettoyer les événements de refroidissement latéraux, car cela fera pénétrer les particules étrangères dans les circuits internes.

⚠ Afin d'éviter tout risque de choc électrique, N'UTILISEZ PAS d'objet métallique pour nettoyer les ports USB.

ENTRETIEN

Rechargez au besoin. Il n'y a aucun intervalle idéal établi pour recharger la batterie PAC505, pourvu qu'elle soit utilisée fréquemment. Évitez de trop souvent décharger complètement l'appareil : vous risqueriez d'écourter sa durée de vie.

Inspectez régulièrement tous les ports et le chargeur mural pour déceler la présence de débris, de saleté, de dommages et de corrosion. **N'ESSAYEZ PAS** de réparer cet appareil.

Vérifiez régulièrement si les événements latéraux accumulent de la saleté ou de la poussière et nettoyez-les en suivant les procédures de nettoyage indiquées dans le manuel.

ENTREPOSAGE

Si l'appareil doit être entreposé pour plus d'un mois, rechargez-le complètement avant de le ranger et rechargez-le environ tous les trois mois pour éviter une décharge complète et d'éventuels dommages.

Rangé l'appareil au frais et au sec à l'intérieur, loin de la lumière directe du soleil (voir la section CARACTÉRISTIQUES GÉNÉRALES). Laisser l'appareil dans un véhicule ou un autre espace clos soumis à des chaleurs extrêmes risque d'écourter sa durée de vie, de le faire surchauffer ou de causer un incendie. Les températures froides inférieures à la plage recommandée pour l'entreposage peuvent également écourter la durée de vie de l'appareil et nuire à son rendement.

Gardez l'appareil éloigné des produits chimiques et des gaz corrosifs.

Après avoir entreposé la batterie PAC505, inspectez visuellement la batterie et ses accessoires pour vous assurer qu'ils sont dans un état acceptable. Ensuite, examinez les événements d'entrée et de sortie d'air latéraux pour vous assurer qu'ils sont exempts de débris. Laissez l'appareil reprendre la température ambiante avant de le recharger ou de l'utiliser pour recharger d'autres appareils.

GARANTIE

www.blackfire.com/warranty

MISE AU REBUT/RECYCLAGE



Ne mettez pas l'appareil et ses accessoires au rebut ni dans un bac de recyclage faisant l'objet d'une collecte porte-à-porte. Ces articles doivent être recyclés conformément aux règlements locaux. Pour de plus amples renseignements, consultez le site www.epa.gov/recycle.

SERVICE À LA CLIENTÈLE

Blackfire, INC.
661 E Main St, Unit 200-117 Midlothian, Texas 76065
1-877-572-4184
customerservice@blackfire.com
www.blackfire.com

* APP est une marque déposée d'Anderson Power Products, Inc.

NOTES



NOTES

Lined area for notes

