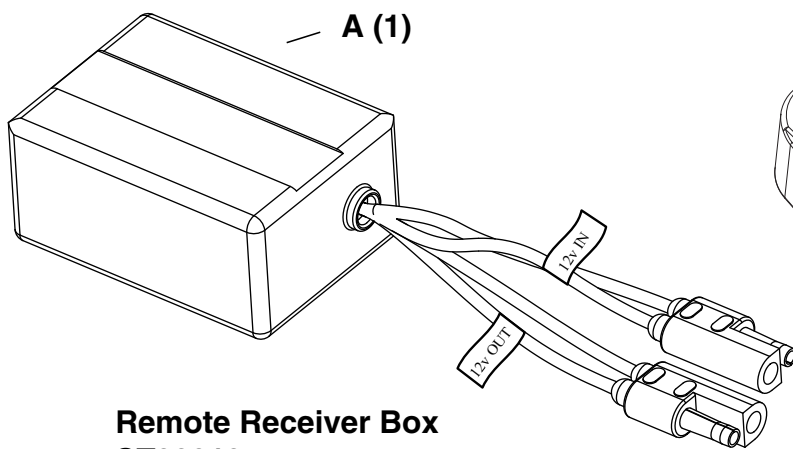
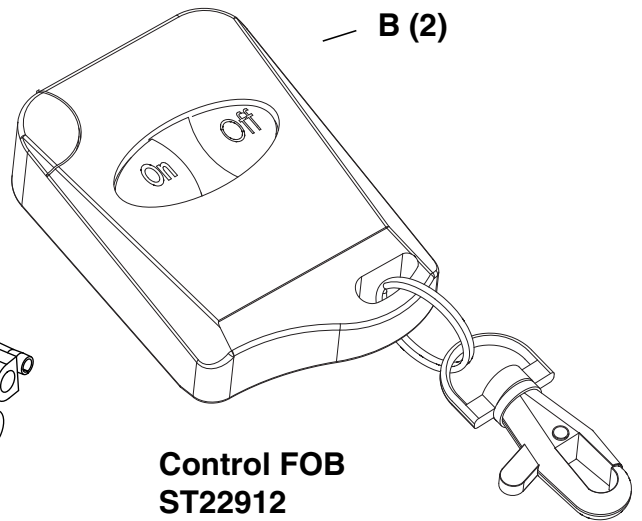


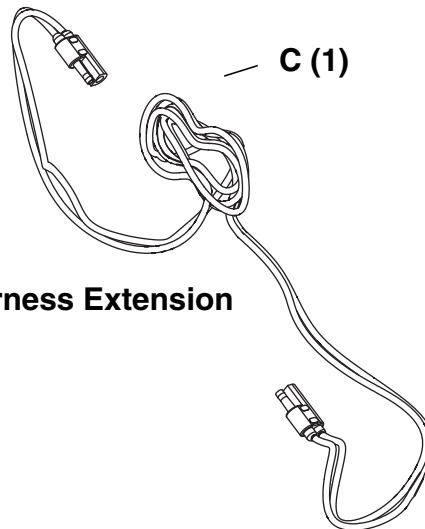
# TERRAKING™



**Remote Receiver Box  
ST22912**



**Control FOB  
ST22912**



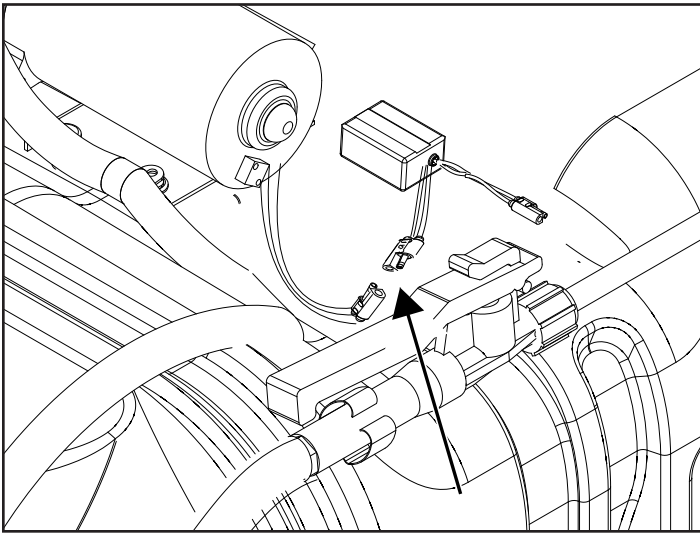
**8ft Wire Harness Extension  
ST43509**

**45-0580**

1. Stop machine on a level surface, not on a slope.
2. Disengage mower blades or any other attachments.
3. Lower attachments to the ground.
4. Lock the park brake.
5. Stop the engine.
6. Remove the key.
7. Wait for engine and all moving parts to stop before you leave the operator's seat.
8. Close fuel shut-off valve, if your machine is equipped.
9. Disconnect the negative battery cable or remove the spark plug wire (for gasoline engines) before servicing the machine

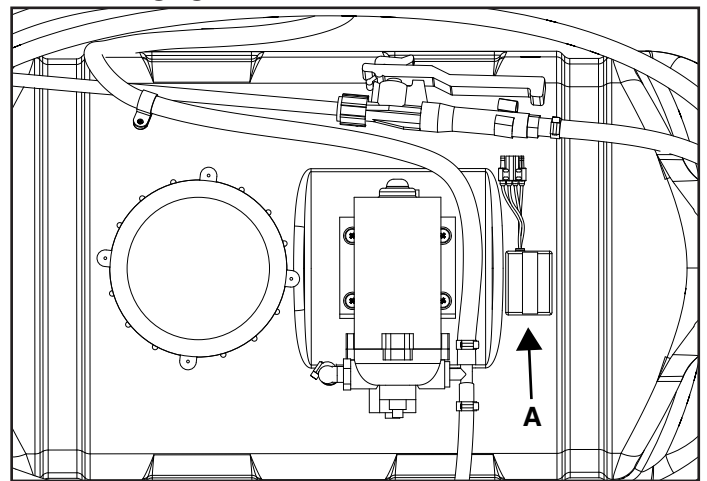
## INSTALL REMOTE CONTROL / RECEIVER BOX

1. Plug the wires labeled "12v Out" into the pump or motor side of your sprayer.

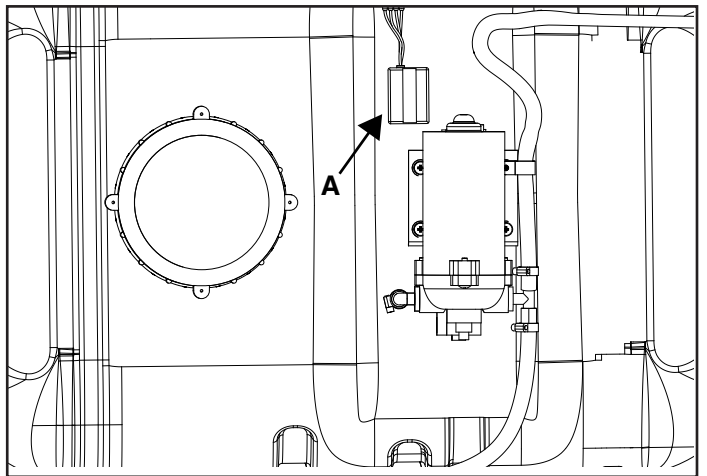


2. Expose adhesive backing located on the back of the remote receiver box and adhere the receiver box (A) close to the electric motor but out of the way of hoses, cap or moving parts.

**NOTE: Be sure surface is clean and dry prior to adhering to sprayer. It is recommended to wipe area thoroughly with alcohol or a non-residue cleaning agent.**

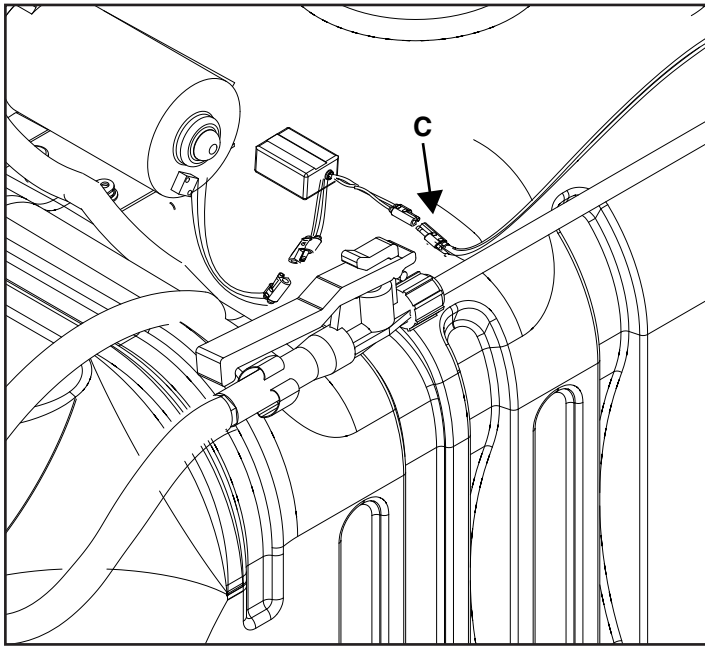


**15 / 25 gal**



**45 / 60 gal**

3. Install the 8 ft. wire harness (C) in place of your switched harness following the same route. In the event you choose to continue to use the switched harness, make sure the switch is in the "on" position.



### Specification

Max Amp.....15 amp  
 Required Batteries  
 Remote.....27A -12v  
 Maximum Range.....100ft unobstructed\*

\*Range will vary depending on obstacles and battery life.

Transmitter Compliance Statement:

**This device complies with Part 15 of FCC Rules.**

Operation is subject to the following two conditions:

- (1) this device may not cause harmful interference, and
- (2) this device must accept any interference received, including interference that may cause undesired operation.

Transmitters comply with all United States and Canadian legal requirements as of the date of manufacture. No warranty is made that they comply with all legal requirements of any other jurisdiction. If transmitters are to be used in another country, the importer must determine compliance with any local laws and regulations which may differ from United States and Canadian requirements prior to use.



**CAUTION: Avoid damage! Avoid damage to wiring. Make sure hood does not close on wiring harness. Keep wiring harnesses away from all moving parts and hot surfaces.**



**WARNING: Do not deploy this item for emergencies involving fire, security and safety of life.**

4. Connect the wire extension/switch harness to the fuse battery lead or fused 12v plug in adaptor supplied with your sprayer.
5. Attach control FOB (B) to key chain using the attached clamp..

**Note: the receiver box is epoxy sealed for weather resistance. It is recommended that you wipe off the receiver after spraying to help protect the integrity of the sealer. The control FOB is NOT waterproof.**

***SpeedEPart*** *the fastest way to purchase parts* [www.speedepart.com](http://www.speedepart.com)

**REPAIR PARTS**

Agri-Fab, Inc.  
809 South Hamilton  
Sullivan, IL. 61951  
800-448-9282  
[www.agri-fab.com](http://www.agri-fab.com)

This document (or manual) is protected under the U.S. Copyright Laws and the copyright laws of foreign countries, pursuant to the Universal Copyright Convention and the Berne convention. No part of this document may be reproduced or transmitted in any form or by any means, electronic or mechanical, including photocopying or recording, or by any information storage or retrieval system, without the express written permission of Agri-Fab, Inc. Unauthorized uses and/or reproductions of this manual will subject such unauthorized user to civil and criminal penalties as provided by the United States Copyright Laws.