

ITEM# DTP56 DIESEL FUEL TRANSFER TANK W/PUMP INSTRUCTION MANUAL

▲ WARNING FOR DIESEL USE ONLY, NOT FOR GASOLINE

- A) Attach pump to rubber hose
- B) Attach Swivel Fitting to other end of rubber hose
- C) Insert Swivel Fitting end of rubber hose into pump
- D) Firmly grip Swivel Fitting and screw it in tightly.

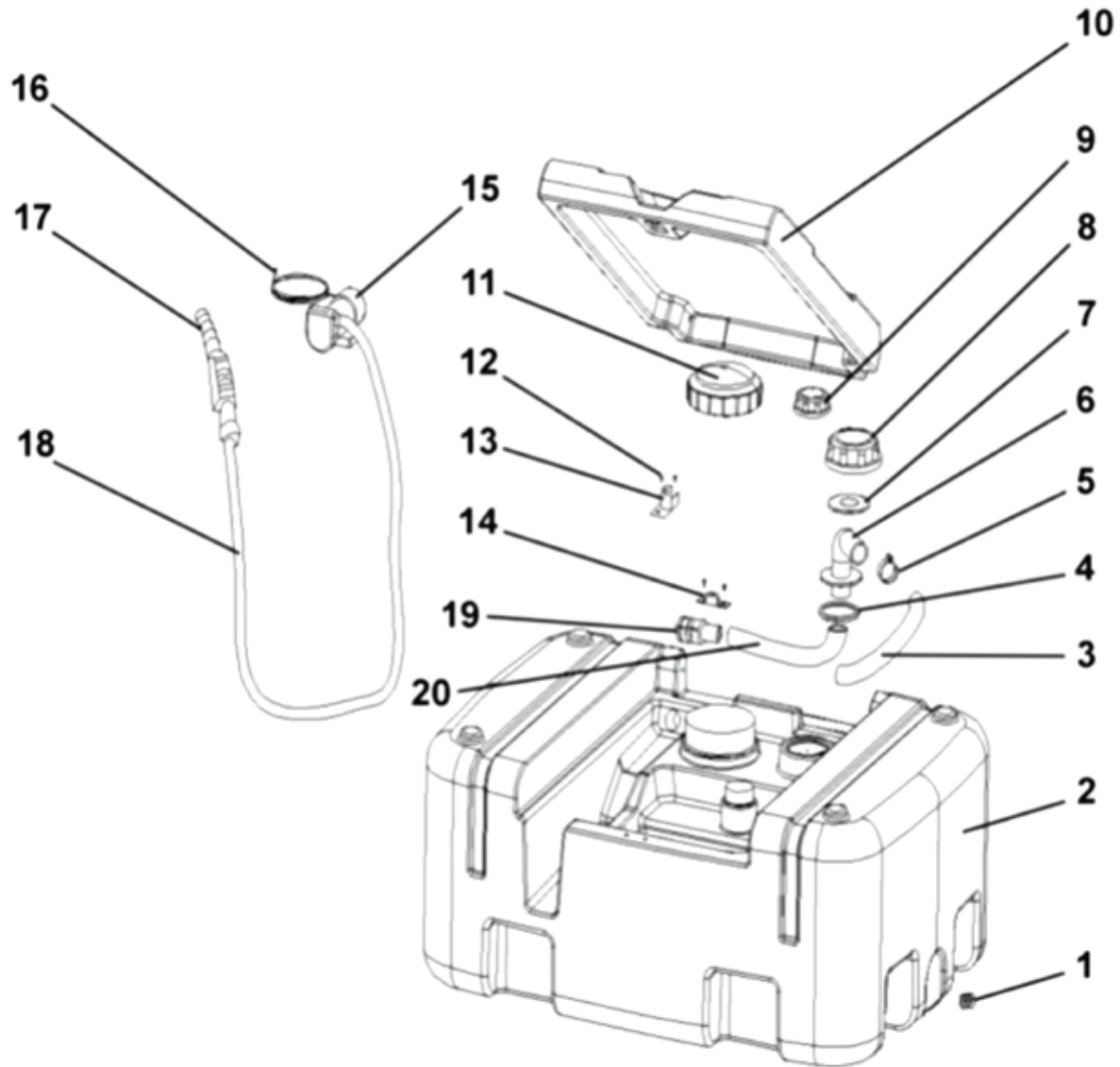
- 1) Attach battery cables Red (POSITIVE) to Red (POSITIVE) and Black (Negative) to Unpainted Metal
- 2) Confirm fuel is inside tank (56 Gallon Max Capacity DIESEL FUEL ONLY)
- 3) Turn Power on.
- 4) Remove hose and grip the nozzle
- 5) Open gas cap, insert nozzle, press auto shut-off nozzle release to dispense fuel into tank.
- 6) When finished, turn the power off then release the nozzle to allow excess fuel to drain out of the hose.
- 7) Wrap hose and nozzle back into tank, then remove battery cables.

NOTE: Adjust the leak-proof breather vent as necessary. You cannot put fuel into your tank unless you can get the air out, and you cannot withdraw fuel from your tank unless you can let air in.



CONTACT BUFFALO CORP if you have questions about this product. Call our Customer Service at 636-532-9888, Monday-Friday, 8 AM - 4 PM Central Time. A copy of the sales receipt is required.

ITEM # DTP56 DIESEL FUEL TRANSFER TANK PARTS LIST



Item	Part No.	Description
1	DD210.01	Vent Plug
2	DD400.02	Tank 400ltr (for D400T only)
--	DD200.02	Tank 200ltr (for D200T only)
3	DD210.03	3/4" Connection Hose
4	DD210.04	Lower Seal for Suction Elbow
5	DD210.05	Hose Clip
6	DD210.06	Suction Elbow
7	DD210.07	Upper Seal for Suction Elbow
8	DD210.08	Suction Cap
9	DD210.09	Level Gauge
10	DD400.10	Tank Lid (for DD400 only)

Item	Part No.	Description
--	DD210.10	Tank Lid (for DD210 only)
11	DD210.11	Breathing Cap
12	MSP610.S	Machine screw pan Head Phillips M6 x 10mm
13	DD210.13	Nozzle Holder
14	DD210.14	Tank Lid Lock Holder
15	DD210.15	Electric Pump 12V
16	DD210.16	Bracket for Electric Pump
17	DD210.17	Automatic fluid Nozzle
18	DD210.18	Delivery Hose 4 mt
19	DD210.19	Filter
20	DD210.20	Hose