



BioMaster 250 / 350 / 600 / 850

BioMaster Thermo 250 / 350 / 600 / 850

EN Operating instructions
FR Notice d'emploi
ES Instrucciones de uso



IMPORTANT SAFETY INSTRUCTIONS - READ AND FOLLOW ALL SAFETY INSTRUCTIONS!

Keep these instructions in a safe place.

SAFETY INFORMATION This unit can be used by children aged 8 and above and by persons with reduced physical, sensory or mental capabilities or lack of experience and knowledge if they are supervised or have been instructed on how to use the unit in a safe way and they understand the hazards involved. Do not allow children to play with the unit. Only allow children to carry out cleaning and user maintenance under supervision. Disconnect the power plug before carrying out any work on the unit.

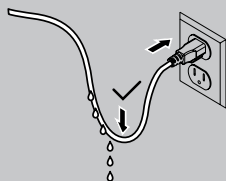
WARNING- To guard against injury, basic safety precautions should be observed, including the following:

- **DANGER** - To avoid possible electric shock, special care should be taken since water is employed in the use of aquarium equipment. For each of the following situations, do not attempt repairs by yourself; return the appliance to an authorized service facility for service or discard the appliance
- Unplug all units in the aquarium and disconnect the power plugs of all units before reaching into the water or moving/cleaning the unit.
- **CAUTION!** Risk of Electric Shock - Don't use the pump when there are people in the water.
- **CAUTION!** This unit has been evaluated for use with water only.
- **DANGER!** Never operate the unit if either the electrical cables or the housing are defective!
- Do not install or store the appliance where it will be exposed to the weather or to temperatures below freezing.
- Do not carry or pull the unit by its electrical cable.
- If an extension cord is necessary, a cord with a proper rating should be used. A cord rated for less amperes or watts than the appliance rating may overheat. Care should be taken to arrange the cord so that it will not be tripped over or pulled.
- Don't attempt to open the pump/motor enclosure.
- In case of "retrofitting" operation, please carefully read and follow the content of this manual as well as

- heater instruction manual.
- Route cables/hoses such that they are protected from damage and do not present a tripping hazard.
- Only open the unit housing or its attendant components, when this is explicitly required in the operating instructions.
- **DANGER!** Only carry out work on the unit that is described in this manual. If problems cannot be overcome, please contact an authorized customer service point or, when in doubt, the manufacturer.
- Only use original spare parts and accessories for the unit.
- **DANGER!** Never carry out technical modifications to the unit. Don't cut the cord or remove the plug from the cord.
- Power connection cables cannot be replaced. If a cable is damaged, dispose of the respective unit or components.
- The impeller unit in the pump contains a magnet with a strong magnetic field that may affect the operation of pacemakers or implantable cardioverter defibrillators (ICDs). Always keep magnets at least 0.7 ft. away from implanted devices.

Electrical connection

- Read and observe all the important notices on the appliance.
- In case of retrofitting, please respect the recommended power shown in the table of P. 10 using only OASE HeatUp heaters.
- Only connect the unit if the electrical data of the unit and the power supply coincide. The unit data is to be found on the unit type plate, on the packaging or in this manual.
- Protect the plug connections from moisture.
- Only plug the unit into a correctly fitted socket.
- Do have all electrical outlets installed and serviced by a licensed electrician.
- **DANGER!** Do disconnect the pump from the electrical outlet at the first sign of any problem.
- **DANGER!** If the plug or receptacle does get wet, DON'T unplug the cord. Disconnect the fuse or circuit breaker that supplies power to the appliance. Then, unplug and examine for presence of water in the receptacle.
- **DANGER!** Don't pinch, twist or damage the electrical cord. A minor cut even if only in the outer shell could allow water to reach the motor enclosure and damage the pump. If you notice any damage to the cord remove the pump and store in a dry place. Consult any damage to the electrical cord will void all warranties and could cause serious electrical shock hazard.
- To avoid the possibility of the appliance plug getting wet prevent water from dripping onto plug. A "drip loop," shown in the figure below, should be arranged by the user for each cord connecting an aquarium appliance to a receptacle. The "drip loop" is that part of the cord below the level of the receptacle, or the connector if an extension cord is used, to prevent water traveling along the cord and coming in contact with the receptacle.



SAVE THESE INSTRUCTIONS!

Questions, problems, missing parts?

Before returning to your retailer, call us at 1-866-627-3435, 8 a.m.-6 p.m., EST, Monday-Friday, or email us at customer-care@oase-livingwater.com. Or visit our website at www.oase-livingwater.com

Warnings used in these instructions



NOTE

Indicates information intended to give the user a better understanding.



CAUTION

- Indicates a possibly hazardous situation.
- Non-observance may lead to slight or minor injuries.

Cross-references used in these instructions

○ A Reference to a figure, e.g. Fig. A.

→ Reference to another section.

PRODUCT DESCRIPTION

Intended use

BioMaster 250/350/600/850, BioMaster Thermo 250/350/600/850, referred to in the following as "unit", may only be used as specified in the following:

- **BioMaster 250/350/600/850:** Water filtering and recirculation
- **BioMaster Thermo 250/350/600/850:** Water heating, filtering and recirculation
- For operation with freshwater or saltwater
- Operation under observance of the technical data

The following restrictions apply to the unit:

- Only use indoors and for aquaristic purposes in the home (not for commercial use)
- Only operate with water at a water temperature of +39 °F to +95 °F

Function description

Drawn in by a pump in the unit head, the water first flows through the pre-filter then from the bottom to the top through sealed filtration pathways to ensure water flows through all the superimposed layers of filter media. The water then flows back into the aquarium via the spray bar or water distributor. Filter foams with varying pore densities, and Hel-X Biomedia serve as filter media.

In units with heater, the water is heated during its passage through the filter system.

Filter media in Scope of delivery

	BioMaster/ BioMaster Thermo 250	BioMaster/ BioMaster Thermo 350	BioMaster/ BioMaster Thermo 600	BioMaster/ BioMaster Thermo 850
45 ppi Carbon Pre-filter foam	4	5	6	6
30 ppi Coarse filter foam	1	1	1	1
20 ppi Ultra-coarse filter foam	2	3	3	4
Hel-X Biomedia	1 unit	1 unit	2 units	2 units

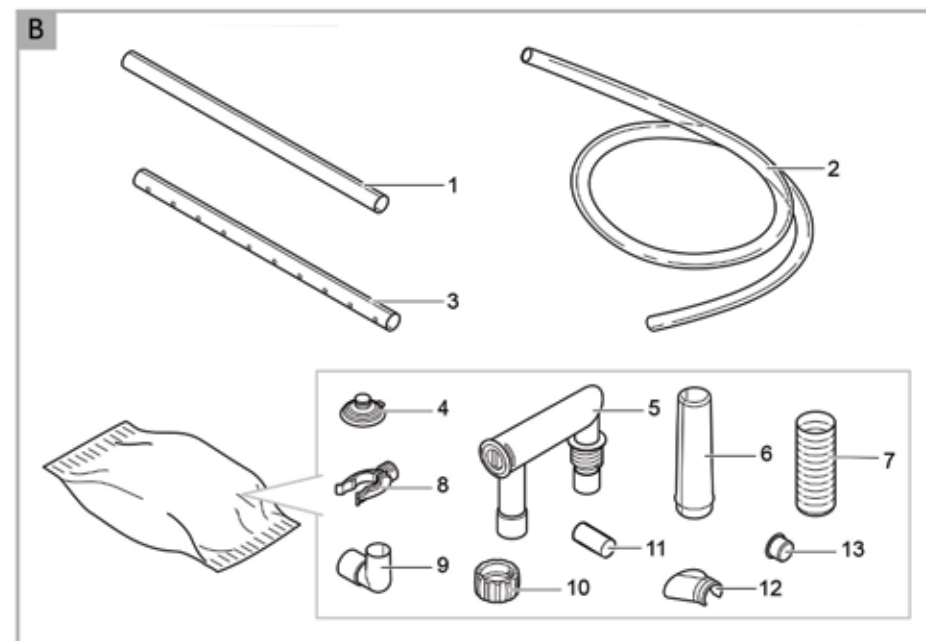
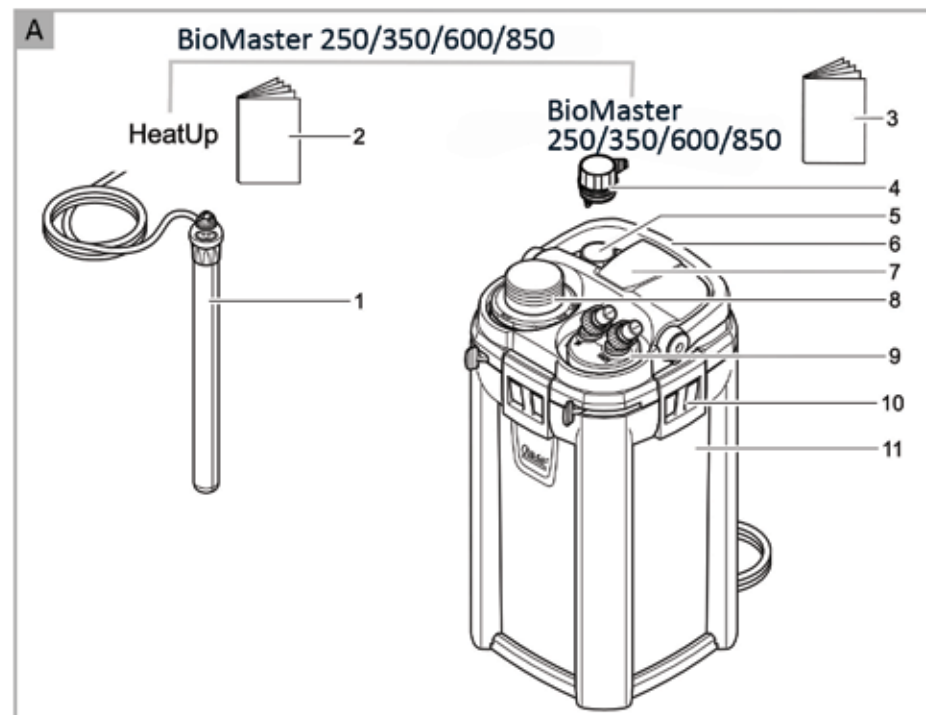
Hel-X Biomedia has an extremely large protected settlement surface (8610 ft²/265 gallons) that allows beneficial bacteria to grow and thrive. The material is designed to stop floating as soon as it reaches a certain level of bacteria colonization. Hel-X Biomedia should always be contained in the provided mesh bag.

PRODUCT DESCRIPTION

Scope of delivery

A		
BioMaster Thermo		QTY
1	BioMaster Thermo 250: HeatUp 150 Heater BioMaster Thermo 350: HeatUp 200 Heater BioMaster Thermo 600: HeatUp 300 Heater BioMaster Thermo 850: HeatUp 400 Heater	1
2	Instruction manual HeatUp	1
BioMaster, BioMaster Thermo		QTY
3	Instruction manual BioMaster 250/350/600/850, BioMaster Thermo 250/350/600/850	1
4	HeatUp adapter	1
5	Plug	1
6	Handle	1
7	Unit head	1
8	Pre-filter with Prime button	1
9	Inlet and outlet connection unit with check valve	1
10	Fastener clamps	4
11	Filter unit, filled with filter media (see P.3)	1
12	Rubber feet	4

B		
Inlet assembly, Outlet assembly		QTY
1	Inlet pipe	1
2	Flexible tubing (5/8 in. ID x 13 ft.)	1
3	Spray bar	2
4	Suction cup	5
5	Adjustable inlet/outlet adapter	2
6	Inlet pipe adapter	1
7	Inlet strainer	1
8	Clip	5
9	Elbow	1
10	Locking nut	4
11	Connecting piece	1
12	Water distributor nozzle	1
13	Spray bar cap	1



ACCESSING THE UNIT



NOTE

The following applies to all units with a heater:

- Adhere to the rules for careful handling. (→ Careful handling of the heater)

Careful handling of the heater



CAUTION

Hot surface!

Risk of burns when touching the glass bulb.

- Unplug the heater and allow it to cool down before removing it from the water.



CAUTION

Risk of breaking the glass!

The glass bulb of the heater can break and cause cuts.

- Take care when handling the heater.
- Allow the heater to cool down first. Do not immerse it in cold water or pour cold water over it.
- Take care of glass fragility when installing the heater in the adapter or the opposite operation

Removing the heater (BioMaster Thermo models)

The heater has to be removed for cleaning, maintenance, and for removing the unit head.

How to proceed:

○ C

1. Lift up the handle.
2. Twist the adapter counter-clockwise and pull up. Do not remove the heater from the HeatUp adapter.
 - To exchange the heater: Carefully remove the original heater by moistening the glass bulb with water and pulling the adapter off the heater. Moisten the new heater with water and push the heater into the adapter as far as it goes.

Fitting the heater

How to proceed:

○ D

1. Twist the HeatUp adapter, assembled with the heater, clockwise into the threaded hole.
2. Place the heater's power connection cable into the cable guide.
3. Put the handle down.
 - For retrofitting HeatUp heater in non thermo models →Retrofitting the heater P.10

Removing the inlet and outlet connection unit

The connection unit has to be removed for cleaning, maintenance, and for removing the unit head when tubing is connected.

Prerequisite: The lever can only be moved when the pre-filter is locked.

How to proceed:

○ E

1. Move the lever to the "UNLOCK" position.
 - The inlet and outlet are closed.
2. Remove the connection unit. Set it to the side with the tubing still connected.

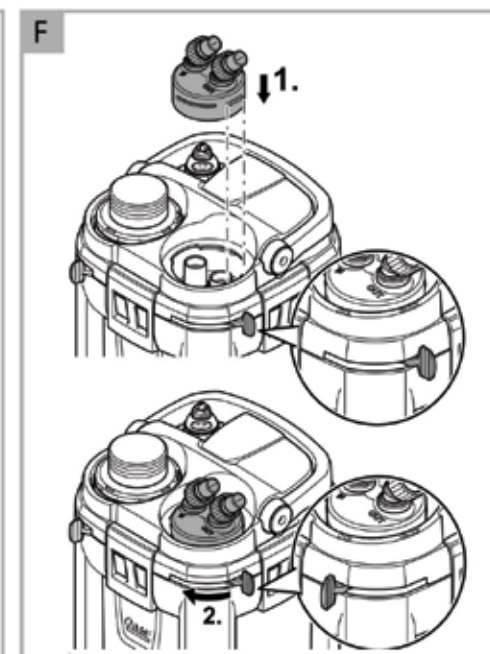
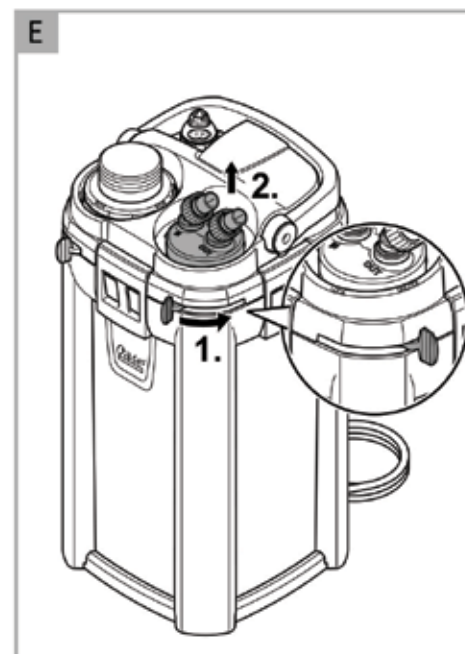
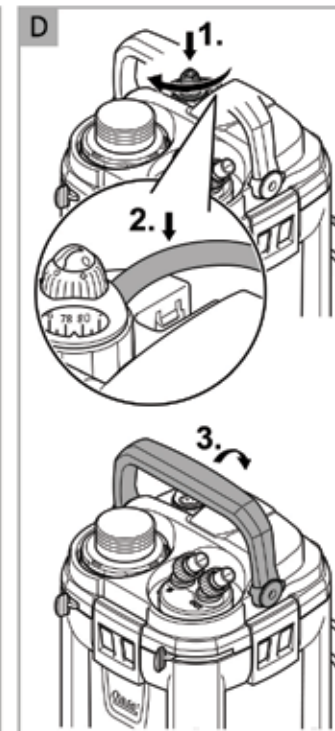
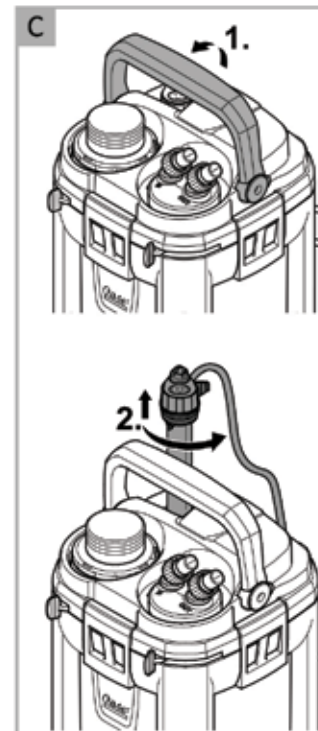
Fitting the inlet and outlet connection unit

Prerequisite: The lever can only be moved when the pre-filter is locked.

How to proceed:

○ F

1. Fit the connection unit and push it into the unit head as far as it goes.
 - Ensure that the ridges on the connection unit are correctly aligned to the recesses on the unit head.
2. Move the lever to the "LOCK" position.
 - The inlet and outlet are open.



Removing the pre-filter

The pre-filter has to be removed for cleaning, maintenance, and for removing the unit head.

Prerequisite: The lever can only be moved when the connection unit is unlocked.

How to proceed:

G

1. Move the lever to the "UNLOCK" position. The inlet and outlet are already closed.
2. Pull out the pre-filter.

Fitting the pre-filter

Prerequisite: The lever can only be moved when the connection unit is unlocked.

How to proceed:

H

1. Fit the pre-filter into the opening and firmly push it into the unit head as far as it goes.
 - Ensure that the ridges on the pre-filter are correctly aligned to the recesses on the unit head.
2. Move the lever to the "LOCK" position.
 - The pre-filter is locked.

Dismantling the unit head

The unit head has to be removed for cleaning, maintenance, and for changing the filter media.

Prerequisites:

- The heater has been removed. (→ Removing the heater P.6)
- The connection unit has been removed. (→ Removing the connection unit P.6)
- The pre-filter has been removed. (→ Removing the pre-filter P.8)

How to proceed:

I

1. Lift up the handle.
2. Undo the fastener clamps by pulling the bottom of the clamp out and then pushing the clamp up.
3. Remove the unit head.

Fitting the unit head

How to proceed:

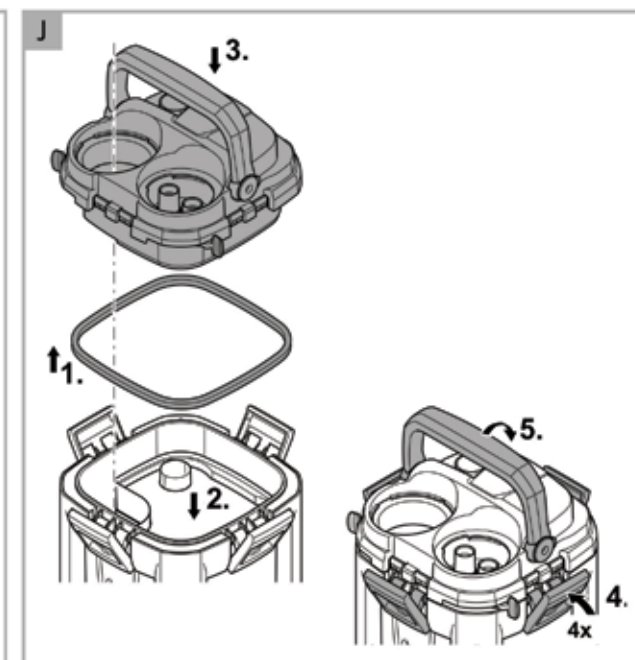
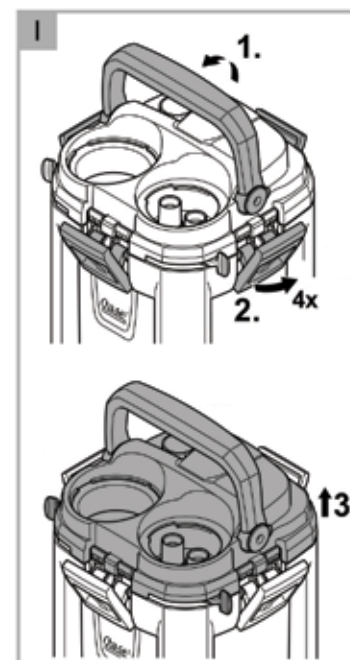
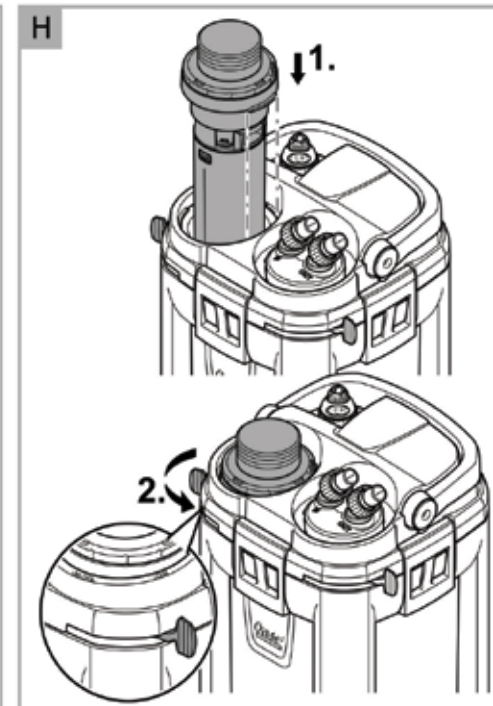
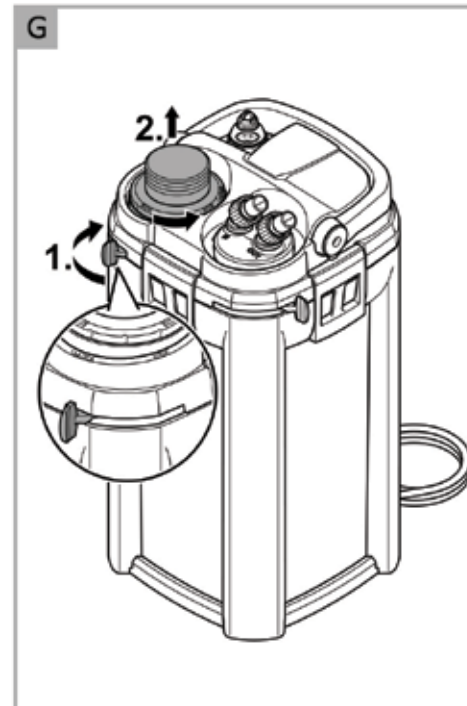
J

1. Check that the seal on the unit head is correctly positioned.
 - Clean the seal, replace it if damaged.
2. Ensure that the filter baskets are correctly assembled and aligned. (→ Cleaning/replacing the filter media P.18)
3. Fit the unit head onto the filter unit.
 - Ensure that the opening for the pre-filter is aligned to the recess in the filter baskets.
4. Lock the fastener clamps in place.
5. Put the handle down.
6. Refit the heater. (→ Fitting the heater P.6)
7. Refit the pre-filter. (→ Fitting the pre-filter P.8)
8. Refit the connection unit (→ Fitting the inlet and outlet connection unit P.6)

INSTALLATION AND CONNECTION

Order of tasks to be carried out:

1. Fit the rubber feet (→ Fitting the rubber feet P.10)
2. Prepare the filter media (→ Cleaning/replacing the filter media P.17-18)
3. As an option: OASE HeatUp Retrofitting (heater) (→ Retrofitting the heater P.10)
4. Install the unit
 - Install the unit next to or under the aquarium. Note the maximum head height. (→ Technical data P.21)
5. Establish the connections (→ Establishing the connections P.10)



INSTALLATION AND CONNECTION

Fitting the rubber feet

How to proceed:

K

- Twist the rubber feet into the openings of the filter unit base.

Prepare the filter media



NOTE

Thoroughly rinse out all filter material with warm tap water before using for the first time in order to remove any soiling. (→ Cleaning/replacing the filter media P.17-18)

Retrofitting the heater

BioMaster 250/350/600/850 non Thermo models can be retrofitted with OASE HeatUp heater.

- An adapter is required for retrofitting (provided in the delivery scope).

BioMaster	250	350	600	850
HeatUp 25	-	-	-	-
HeatUp 50	○	○	○	○
HeatUp 100	○	○	○	○
HeatUp 150	●	○	○	○
HeatUp 200	-	●	○	○
HeatUp 300	-	-	●	○
HeatUp 400	-	-	-	●

○: Suitable

●: Particularly recommended

Prerequisite: The filter unit is unplugged. (→ Switching off the unit P.14)



NOTE

When the filter is filled with water, water may spill when the heater is inserted.

- Take measures to clean / prevent any spillage.

How to proceed:

L

1. Twist the plug counter-clockwise and remove.
2. Moisten the heater with water and gently push the heater into the HeatUp adapter as far as it goes.
3. Fit the heater into the filter unit. (→ Fitting the heater P.6)

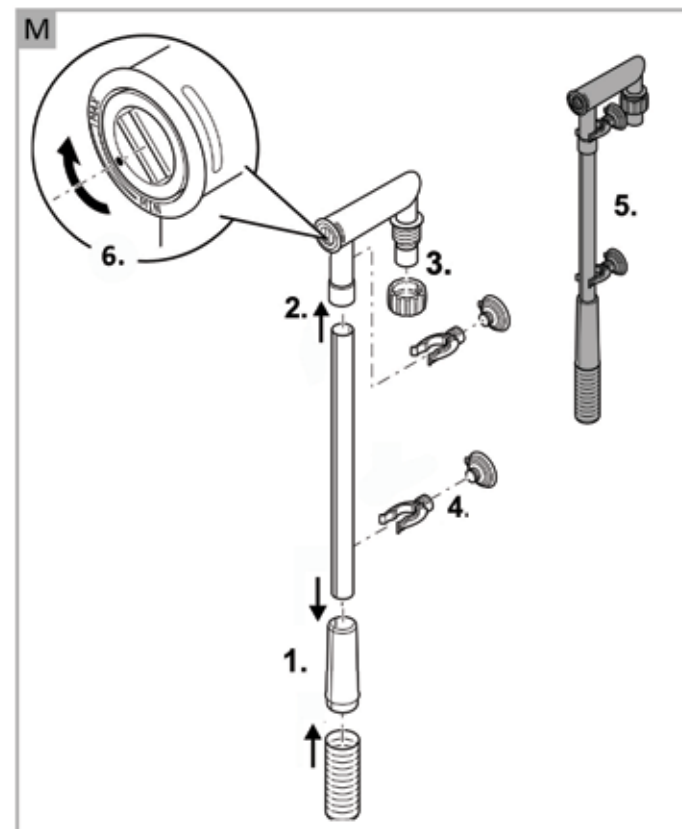
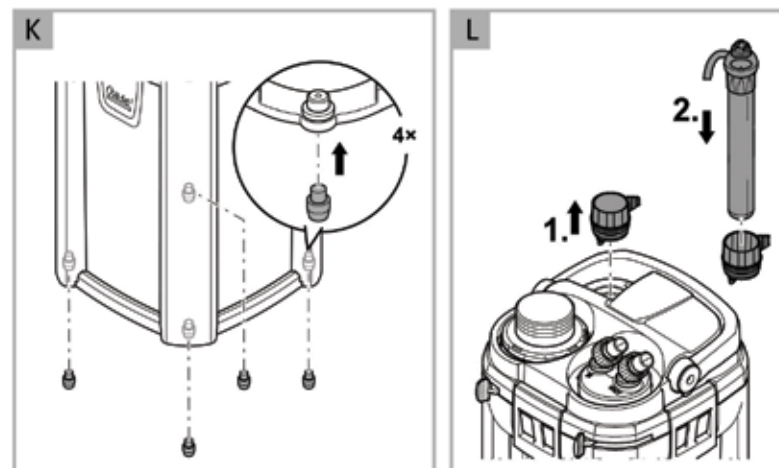
Establishing the connections

Assembling the inlet assembly

How to proceed:

M

- Assemble the inlet assembly.
 1. Install intake assembly by connecting the inlet strainer, adapter, and inlet tube
 2. Attach assembled parts to the adjustable inlet adapter
 3. Screw locking nut onto adjustable inlet adapter
 4. Connect the clips to the suction cups. These will be used to attach the intake assembly to the tank
 5. Attach the clips at the inlet pipe and adjustable inlet adapter as shown.
 6. Use a coin or a flat head screwdriver to turn the flow regulator on the inlet adapter to MAX.

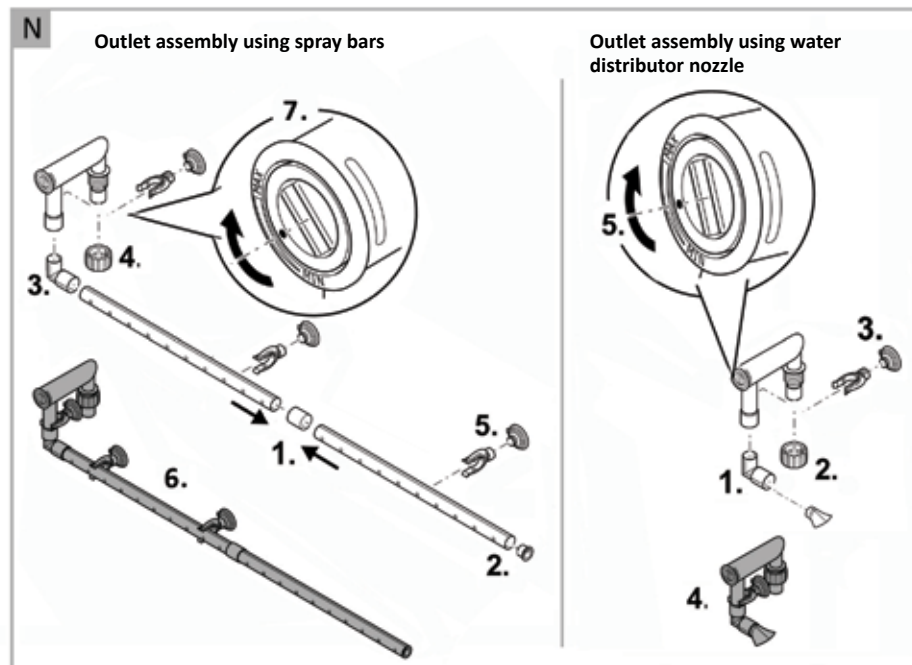


Assembling the outlet assembly

The outlet assembly can either be installed using the spray bars or the water distributor

How to proceed:

- N
- Assembling the outlet assembly using spray bars
 1. Connect the two spray bars via the connecting piece.
 2. Seal spray bar assembly with cover cap.
 3. Attach spray bars to adjustable outlet adapter via elbow.
 4. Screw locking nut onto adjustable outlet adapter.
 5. Connect the clips to the suction cups. These will be used to attach the outlet assembly to the tank.
 6. Attach the clips at the spray bars and adjustable outlet adapter as shown.
 7. Use a coin or a flat head screwdriver to turn the flow regulator on the outlet adapter to MAX.
 - Assembling the outlet assembly using the water distributor nozzle
 1. Attach the water distributor nozzle to adjustable outlet adapter via elbow.
 2. Screw locking nut onto adjustable outlet adapter.
 3. Connect the clip to the suction cup. This will be used to attach the intake assembly to the tank.
 4. Attach the clips at the adjustable outlet adapter as shown.
 5. Use a coin or a flat head screwdriver to turn the flow regulator on the outlet adapter to MAX.



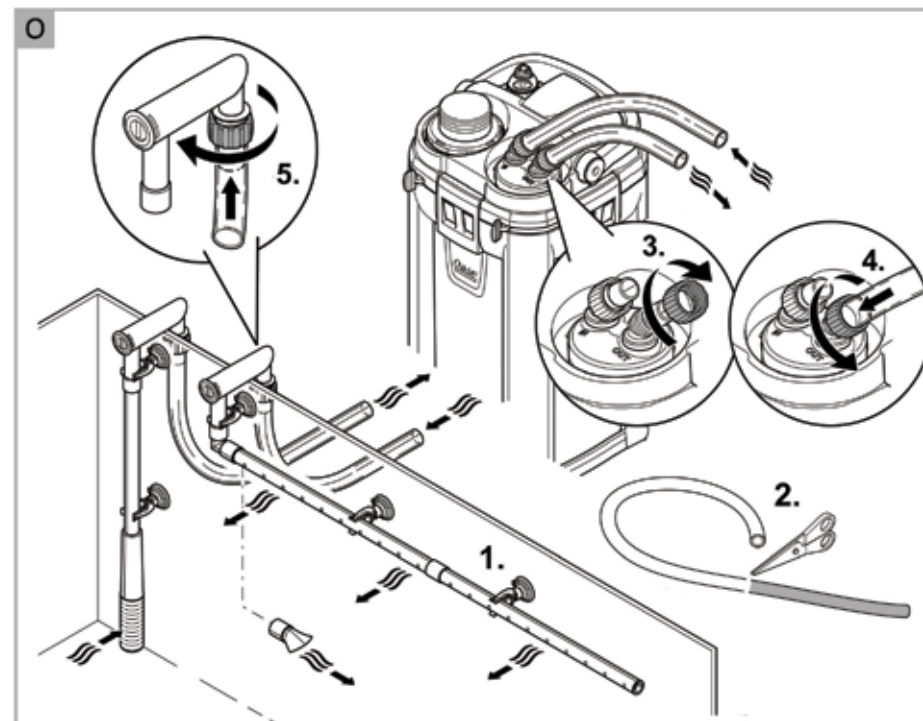
Connecting the tubing

The procedure is identical for the inlet (IN) and outlet (OUT).

Prerequisite: Install the unit. Install the unit next to or under the aquarium. Note the maximum head height. (→ Technical data P. 21)

How to proceed:

- O
1. Fasten the inlet assembly and outlet assembly in the aquarium using suction cups.
 2. Shorten the tubing to the required length.
 - Choose the length so that the tubing cannot kink in the intended installation position.
 3. Screw the locking nut onto the inlet and outlet connection unit on the unit head.
 4. Push the tubing onto the connection unit and turn the locking nut counter-clockwise to fix the tubing in place.
 5. Push the other end of the tubing onto the inlet/outlet adapter of the inlet assembly/outlet assembly and turn the tubing locking nut counter-clockwise to fix the tubing in place.



COMMISSIONING/START-UP

For initial start-up or after thorough cleaning, it is necessary to expel air from the filter system. When the filter unit, inlet assembly and tubing are free of trapped air, the pump can convey the water by itself through the filter system. (→ Expelling air from the filter system P.14)

COMMISSIONING/START-UP

Expelling air from the filter system

Prerequisite: The unit is unplugged. (→ Switching off the unit P.14)

How to proceed:

P

1. Press the priming button and release it until the water flows out of the tank into the filter.
 - The filter is completely flooded when water emerges from the outlet assembly.

Switching on the unit



NOTE

Ensure that the pump never runs dry!

The pump will be destroyed.

- Regularly check the water level and circulation in the filter and in the aquarium.



NOTE

Risk of fire due to the hot surface of the heater! The heater and filter can be destroyed by the generated heat.

- Do not plug in the heater until the filter is completely filled with water, plug in and the water is continuously circulated.
- Unplug the heater and allow it to cool down before removing it from the water.

How to proceed:

Q

1. Route each power connection cable such that it forms a drip loop.
2. Connect the power connection cable to the power supply.
 - The pump will switch on immediately.
 - Trapped air in the filter can cause noise. The trapped air escapes shortly after the pump starts up.
3. **Unit with heater:** Set the water temperature on the heater and plug in the heater. (→ Heater instruction manual).

Switching off the unit

How to proceed:

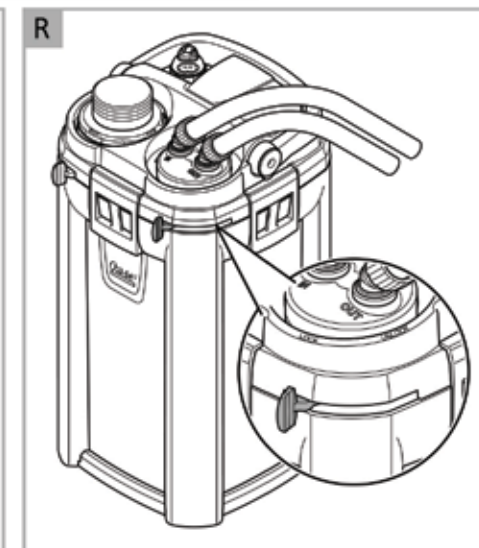
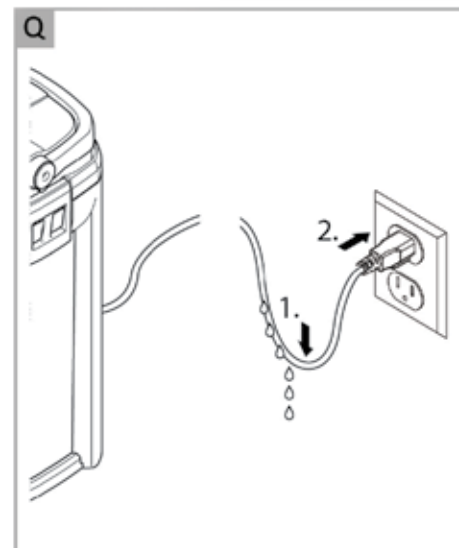
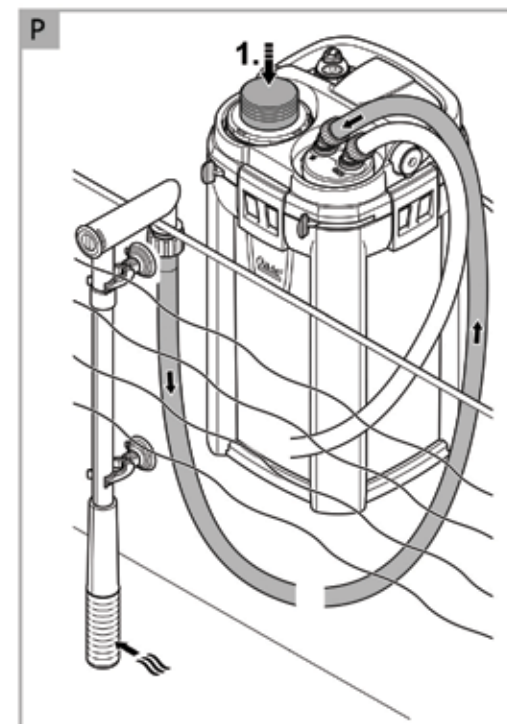
- Disconnect the unit from the power supply
- **Unit with heater:** Disconnect the unit and heater from the power supply

Setting the flow rate

How to proceed:

R

- Move the lever on the inlet/outlet connection unit to set the desired flow rate
 - “LOCK”: Maximum flow rate
 - “UNLOCK”: No flow, the inlet and outlet are closed



TROUBLESHOOTING

Malfunction	Cause	Remedy
Unit does not start up	No mains voltage	Check the mains voltage
	Impeller unit blocked	Clean (→ P.19)
	Air in the filter	Vent the filter. Move the filter from side to side, if necessary, to allow the remaining air to escape.
Water flow insufficient	Impeller unit soiled	Clean (→ P.19)
	Impeller unit worn	Replace the impeller unit (→P.19)
	The flow is not correctly set	Correct the setting (→ P.14)
	Foam filter of the pre-filter soiled	Clean (→P.18)
	Filter media in the filter unit soiled	Clean (→ P.18)
	Inlet strainer clogged	Clean
Insufficient filtering performance	Pipework soiled	Clean inlet assembly, outlet assembly, and tubing
	Foam filter of the pre-filter soiled	Clean (→ P.17)
	Foam filter of the pre-filter worn	Replace (→ P.17)
	Filter media in the filter unit soiled	Clean (→ P.18)
	Filter media in the filter unit worn	Replace (→ P.18)
Insufficient water heating (Only units with heater, →HeatUp manual)	Heater defective	Replace
	Heater not calibrated	Calibrate
	Water temperature incorrectly set on the heater	Correct the water temperature setting on the heater
The filter cannot be vented	Water flow insufficient	See malfunction "Water flow insufficient"
	Valve box in the pre-filter blocked	Clean the valve box (→ P.19)
Increased noise	Filter is not below the surface of the water	Install the filter below the surface of the water
	Air in the filter	Move the filter from side to side to allow the remaining air to escape

MAINTENANCE AND CLEANING

- If necessary, clean with clear water using a soft brush.
- Do not use cleaning agents or chemical solutions.
- Cleaning and replacement cycles for filter media are dependent on the size of the aquarium and the number of fish. Therefore, it is necessary to clean and replace the filter media as required to ensure optimum filter performance.
- If there are several filter foams: Clean or replace the filter foams at different times. This saves enough useful bacteria to ensure good biological filtration of the water.



NOTE

Thoroughly rinse out all filter material with warm tap water before using for the first time in order to remove any soiling. (→ Cleaning/replacing the filter media P.17)

Cleaning and maintenance work:

Area	Tasks to be carried out
Foam filter, pre-filter	(→ Cleaning/replacing the foam filter of the pre-filter P.17)
Filter media, filter unit	(→ Cleaning/replacing the filter media P.18)
Heater	HeatUp instruction manual 25/50/100/150/200/300/400
Impeller unit, pump casing	(→ Cleaning/replacing the impeller unit P.19)
Valve box, pre-filter	(→ Cleaning the valve box of the pre-filter P.19)
Suction chamber, pre-filter	(→ Cleaning the suction chamber of the pre-filter P.20)



NOTE

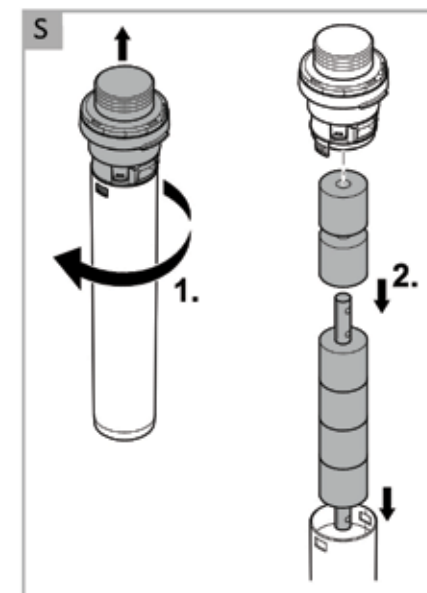
The cycle for cleaning the foam filter in the pre-filter is longer if a coarser foam filter is used.

Cleaning/replacing the filter foams of the pre-filter

Prerequisite: The pre-filter has been removed. (→ Removing the pre-filter P.8)

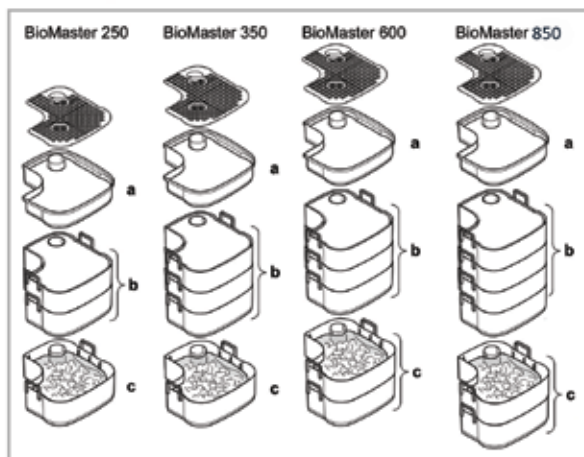
How to proceed:

1. Turn the casing until the locking hooks are pushed in, then pull off the casing.
2. Remove the pre-filter pipe and filter foams.
 - BioMaster 250/BioMaster Thermo 250: 4 filter foams
 - BioMaster 350/BioMaster Thermo 350: 5 filter foams
 - BioMaster 600/BioMaster Thermo 600: 6 filter foams
 - BioMaster 850/BioMaster Thermo 850: 6 filter foams
3. Rinse the filter foams in warm water. If necessary, replace the filter foams (→ Wear Parts P.20).
4. Assemble the pre-filter in the reverse order.
 - Ensure that the locking hooks lock in place in the casing



Filter media on delivery:

a	Filter foam 30 ppi
b	Filter foam 20 ppi
c	Hel-X Biomedia, always place them contained in the bag into the strainer casing



Cleaning/replacing the filter media

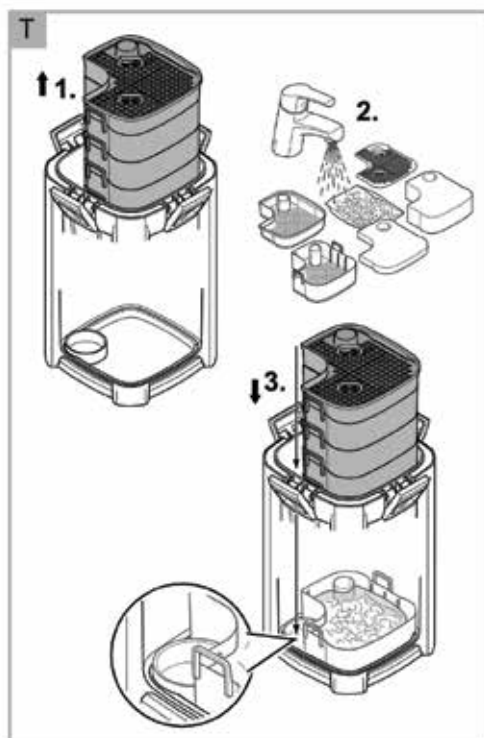
Prerequisite: The unit head is removed.

(→ Dismantling the unit head P.8)

How to proceed:

○ T

1. Remove all filter baskets.
2. Clean the filter baskets and filter unit.
 - Use water to clean the filter media
 - If necessary, replace the filter media. Rinse the new filter media thoroughly with warm tap water prior to its first use.
3. Carefully fit the filter baskets back into the bottom recess in the filter unit.
 - Ensure that the filter cover is positioned on the foam filter in the top filter basket.
4. Reassemble the unit in the reverse order. (→ ACCESSING THE UNIT P.6-8)



Cleaning/replacing the impeller unit

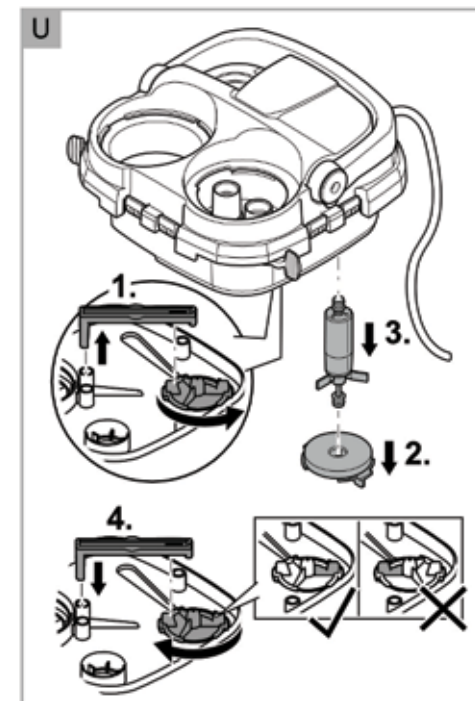
Prerequisite: The unit head is removed

(→ Dismantling the unit head P.8)

How to proceed:

○ U

1. Pull off the venting element.
2. Turn the pump lid counter-clockwise (bayonet lock) and remove.
3. Remove the impeller unit and clean. If necessary, replace.
4. Fit the impeller unit, place the pump lid and lock (turn clockwise).
 - Ensure that the two rubber bearings are correctly seated.
5. Reassemble the unit in the reverse order.



Cleaning the valve box of the pre-filter

The valve box only has to be cleaned if venting does not function even though the filter foams of the pre-filter have been cleaned.

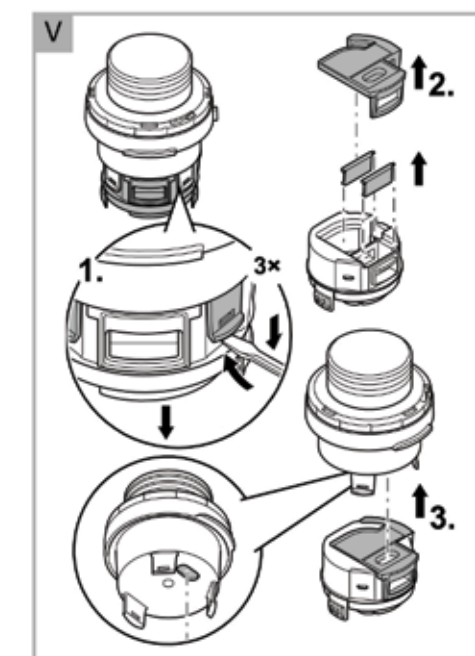
Prerequisite: The pre-filter has been removed.

(→ Removing the pre-filter P.8)

How to proceed:

○ V

1. Undo the fasteners and pull off the valve box.
 - If necessary, carefully lift the fasteners using a screwdriver.
2. Remove the valve seal and both valve flaps. Clean all parts.
3. Assemble the valve box in the reverse order.
 - Ensure that the fitted valve flaps can be easily moved.
 - Note: Ensure that the opening in the valve seal is precisely aligned to the opening in the suction chamber.



Cleaning the suction chamber of the pre-filter

The suction chamber only has to be cleaned if venting does not function even though the filter foams and valve box of the pre-filter have been cleaned.

Prerequisite: The pre-filter has been removed. (→ Removing the pre-filter P.8)



CAUTION
There is a strong spring in the suction chamber that can act like a projectile.

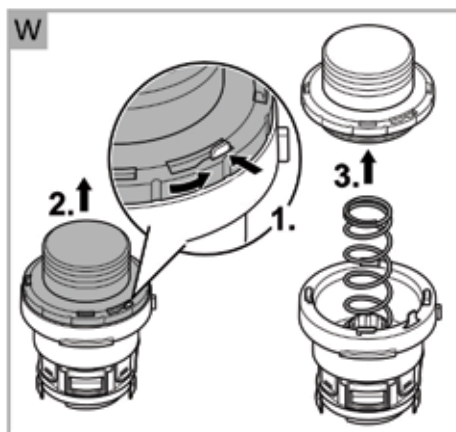
Risk of injury due to parts flying around

- When opening the suction button, do not point it at persons.
- Firmly hold the suction button.

How to proceed:

○ W

1. Press in the engagement hooks, hold and turn the locking ring counter-clockwise (bayonet lock).
2. Carefully lift the suction button until the tension of the spring is relieved.
3. Remove the suction button and spring.
4. Clean the suction chamber.
5. Assemble the suction chamber in the reverse order.



WEAR PARTS

The following components are wear parts and are excluded from the warranty:

- Filter media
- Impeller unit
- Suction cups

DISPOSAL



NOTE
Do not dispose of this unit with domestic waste.

- Render the unit unusable beforehand by cutting the cables and dispose of the unit via the return system provided for this purpose.

SPARE PARTS

The use of original parts from OASE ensures continued safe and reliable operation of the unit. Please visit our website for spare parts. <https://www.oase-livingwater.com>

Filter foams

Choose any combination of replacement pre-filter foams to create the best filtration for your aquarium's needs

Item no.	Description
49626	BioMaster 30 ppi Pre-filter Foam Set
49560	BioMaster 45 ppi Pre-filter Foam Set
49583	BioMaster 60 ppi Pre-filter Foam Set
49744	BioMaster 45 ppi Carbon Pre-filter Foam Set

TECHNICAL DATA

Description		BioMaster, BioMaster Thermo			
		250	350	600	850
Rated voltage	V	120	120	120	120
Mains frequency	Hz	60	60	60	60
Protection type		IPX4	IPX4	IPX4	IPX4
Power consumption, filter	W	15	16	23	25
Power consumption, heater (BioMaster Thermo models)	W	150	200	300	400
Flow rate	Max. gph	250	300	350	400
Head height	Max. ft.	5.6	5.9	6.6	7.4
Filter volume	gal	1.2	1.5	1.8	2.1
Pre-filter volume	l	0.4	0.5	0.6	0.6
Suitable for aquariums up to max.	gal	66	90	160	225
Length of power connection cable	ft.	6	6	6	6
Inlet/outlet connection unit fits tubing	Inner Diameter	in. 16 mm, 5/8 in.			
Unit dimensions	Length	in. 9.4	9.4	9.4	9.4
	Width	in. 9.4	9.4	9.4	9.4
	Height	14.6	16.7	19	22
Weight	lbs.	9	10	11	12

SYMBOLS ON THE UNIT

IP X4	Splash-water protected on all sides.
	Protection class II, protection insulation which could become live in the event of a fault.
	For use indoors.
	Do not dispose of with household waste.
	Read and adhere to the instructions for use.

Questions, problems, missing parts?

Before returning to your retailer, call us at 1-866-627-3435, EST, Monday-Friday, or email us at customer-care@oase-livingwater.com.

CONSIGNES DE SÉCURITÉ IMPORTANTES - LIRE ET SUIVRE TOUTES LES CONSIGNES DE SÉCURITÉ!

CONSERVEZ CES INSTRUCTIONS DANS UN ENDROIT SÛR.

CONSIGNES DE SECURITE Dans le cas où cet appareil serait utilisé par des mineurs de moins de 8 ans ainsi que par des personnes souffrant d'un handicap mental ou plus généralement par des personnes manquant d'expérience, un adulte averti devra être présent, qui renseignera le mineur ou la personne fragilisée concernée sur le bon emploi de ce matériel. Les enfants ne doivent pas jouer avec cet appareil. Ne pas laisser un enfant sans surveillance pour le nettoyage ou l'entretien. Débranchez la prise d'alimentation avant d'effectuer tout travail sur l'appareil

AVERTISSEMENT - Pour éviter toute blessure, des mesures de sécurité de base doivent être observées, y compris les suivants:

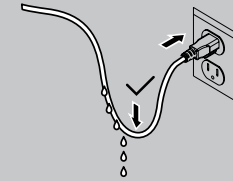
- **DANGER** - Pour éviter tout risque d'électrocution, des précautions particulières doivent être prises car l'eau est utilisée dans l'utilisation de l'équipement d'aquarium. Pour chacune des situations suivantes, ne tentez pas de réparations par vous-même; retourner l'appareil à un centre de service autorisé pour réparation ou jeter l'appareil
- Éteignez toutes les unités de l'aquarium et débranchez les fiches d'alimentation de toutes les unités avant de les atteindre dans l'eau ou de déplacer / nettoyer l'unité.
- **MISE EN GARDE!** Risque de choc électrique - N'utilisez pas la pompe lorsqu'il y a des personnes dans l'eau.
- **MISE EN GARDE!** Cette unité a été évaluée pour une utilisation avec de l'eau seulement.
- **DANGER!** Ne faites jamais fonctionner l'appareil si les câbles électriques ou le boîtier sont défectueux!
- N'installez pas ou ne stockez pas l'appareil à un endroit exposé aux intempéries ou à des températures inférieures au point de congélation.
- Ne transportez pas et ne tirez pas l'unité par son câble électrique.

- En cas de "rééquipement", veuillez lire attentivement et suivre le contenu de ce manuel ainsi que le manuel d'utilisation de l'appareil de chauffage.

- Si une rallonge est nécessaire, utilisez un cordon d'alimentation approprié. Une corde notée pour moins d'ampères ou de watts que l'estimation de l'appareil peut surchauffer. Faites attention de ne pas trébucher ou tirer sur le cordon.
 - N'essayez pas d'ouvrir le boîtier de la pompe / du moteur.
 - Acheminez les câbles / tuyaux de manière à ce qu'ils ne soient pas endommagés et ne présentent aucun risque de chute.
 - N'ouvrez le boîtier de l'appareil ou ses composants auxiliaires que lorsque cela est explicitement requis dans le mode d'emploi.
 - **DANGER!** N'effectuez que des travaux sur l'unité décrite dans ce manuel. Si les problèmes ne peuvent être résolus, veuillez contacter un point de service client agréé ou, en cas de doute, le fabricant.
 - N'utilisez que des pièces de rechange d'origine et des accessoires pour l'unité.
 - **DANGER!** N'effectuez jamais de modifications techniques sur l'appareil. Ne coupez pas le cordon et ne retirez pas la fiche du cordon.
 - Les câbles de connexion d'alimentation ne peuvent pas être remplacés. Si un câble est endommagé, jetez l'unité ou les composants correspondants.
 - L'unité de turbine dans la pompe contient un aimant avec un fort champ magnétique qui peut affecter le fonctionnement des stimulateurs cardiaques ou des défibrillateurs cardiovertébrables (DAI). Toujours garder les aimants à au moins 0,7 pi des appareils implantés.
- ### Raccordement électrique
- Lisez et observez tous les avis importants sur l'appareil.
 - En cas de post-équipement, veuillez respecter la puissance recommandée indiquée dans le tableau de la page 30, en utilisant uniquement les réchauffeurs OASE HeatUp
 - Ne connectez l'appareil que si les données électriques de l'appareil et de l'alimentation coïncident. Les données de l'unité se trouvent sur la plaque signalétique de l'unité, sur l'emballage ou dans ce manuel.
 - Protégez les connexions de l'humidité.
 - Branchez l'appareil uniquement dans une prise correctement installée.
 - Assurez-vous que toutes les prises électriques sont installées et entretenues par un électricien agréé.
 - **DANGER!** Débranchez la pompe de la prise électrique au premier signe d'un problème.
 - **DANGER!** Si la fiche ou la prise est mouillée, NE débranchez PAS le cordon. Débranchez le fusible ou le disjoncteur qui alimente l'appareil. Ensuite, débranchez et examinez la présence d'eau dans le récipient.
 - **DANGER!** Ne pas pincer, tordre ou endommager le cordon électrique. Une coupe mineure même si seulement dans la coque extérieure pourrait permettre à l'eau d'atteindre

l'enceinte du moteur et d'endommager la pompe. Si vous remarquez des dommages sur le cordon, retirez la pompe et rangez-la dans un endroit sec. Consulter tout dommage au cordon électrique annulera toutes les garanties et pourrait causer de sérieux risques d'électrocution.

- Pour éviter que la prise de l'appareil ne mouille, évitez que de l'eau ne coule sur la prise. Une «boucle d'égouttement», illustrée sur la figure ci-dessous, doit être disposée par l'utilisateur pour chaque cordon reliant un appareil d'aquarium à un réceptacle. La "boucle d'égouttement" est la partie du cordon située sous le niveau du réceptacle, ou le connecteur si une rallonge est utilisée, pour empêcher l'eau de circuler le long du cordon et d'entrer en contact avec le réceptacle.



CONSERVEZ CES INSTRUCTIONS

Questions, problèmes, pièces manquantes ?

Avant de retourner chez votre détaillant, appelez au 1 866 627-3435, entre 8 h et 18 h, heure de l'Est, ou encore envoyez-nous un courriel à l'adresse customercare@oase-livingwater.com. Vous pouvez aussi consulter notre site web au www.oase-livingwater.com

Avertissements utilisés dans ces instructions



ATTENTION

Informations favorisant une meilleure compréhension



CAUTION

- Signale une situation éventuellement dangereuse.
- Le non-respect risque d'entraîner de légères blessures et futilités.

Références croisées utilisées dans ces instructions

○ A Renvoi à l'illustration, p. ex. Figure A.

→ Renvoi à un autre chapitre.

DESCRIPTION DU PRODUIT

Utilisation conforme à la finalité

BioMaster 250/350/600/850, BioMaster Thermo 250/350/600/850, appelé par la suite «appareil», doit être utilisé exclusivement comme suit :

- **BioMaster 250/350/600/850** : Filtrer l'eau et laisser circuler.
- **BioMaster Thermo 250/350/600/850** : Chauffer l'eau, la filtrer, et la faire circuler.
- Pour une exploitation en eau douce ou en eau de mer.
- Exploitation dans le respect des données techniques.

Les restrictions suivantes sont valables pour l'appareil :

- A utiliser uniquement à l'intérieur et à des fins d'aquariophilie privée.
- A utiliser uniquement avec de l'eau à une température entre +4 °C et +35 °C.

Description des fonctions

L'eau aspirée par une pompe dans la tête d'appareil, circule d'abord dans le pré-filtre, et ensuite de bas en haut dans les matériaux de filtration superposés. Puis, l'eau s'écoule à travers barre de pulvérisation ou à travers le distributeur d'eau pour retourner dans l'aquarium. Des mousses filtrantes de pores de densités différentes et des bioéléments Hel-X servent de matériaux de filtration.

Pour un appareil muni d'un chauffage, l'eau est chauffée pendant sa circulation à travers le système de filtration.

Média filtrant dans Pièces faisant partie de la livraison

	BioMaster/ BioMaster Thermo 250	BioMaster/ BioMaster Thermo 350	BioMaster/ BioMaster Thermo 600	BioMaster/ BioMaster Thermo 850
45 ppi Carbone pré-filtre en mousse	4	5	6	6
30 ppi Mousse filtrante grossière	1	1	1	1
20 ppi Mousse filtrante ultra-grossière	2	3	3	4
Hel-X Biomedica	1 unité	1 unité	2 unité	2 unité

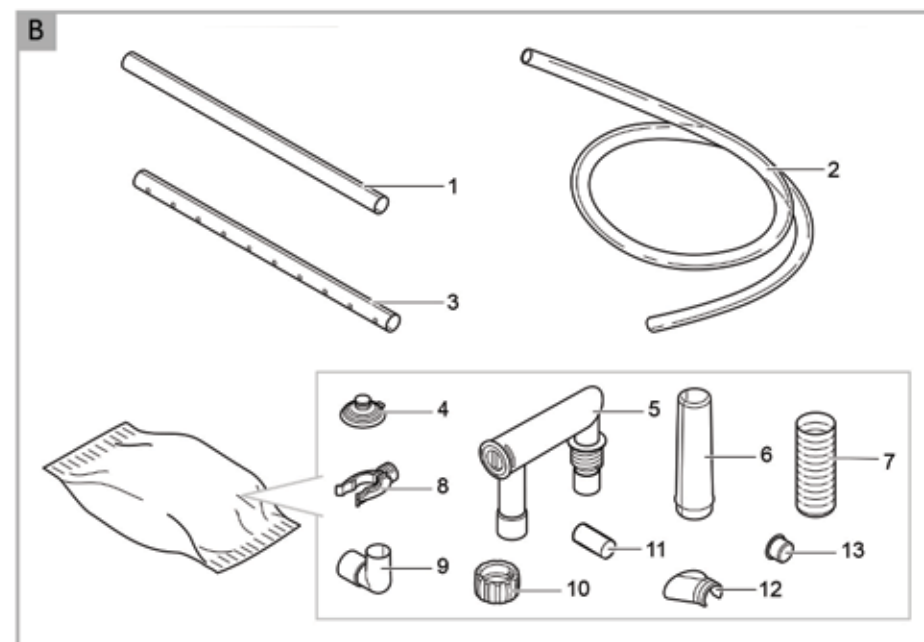
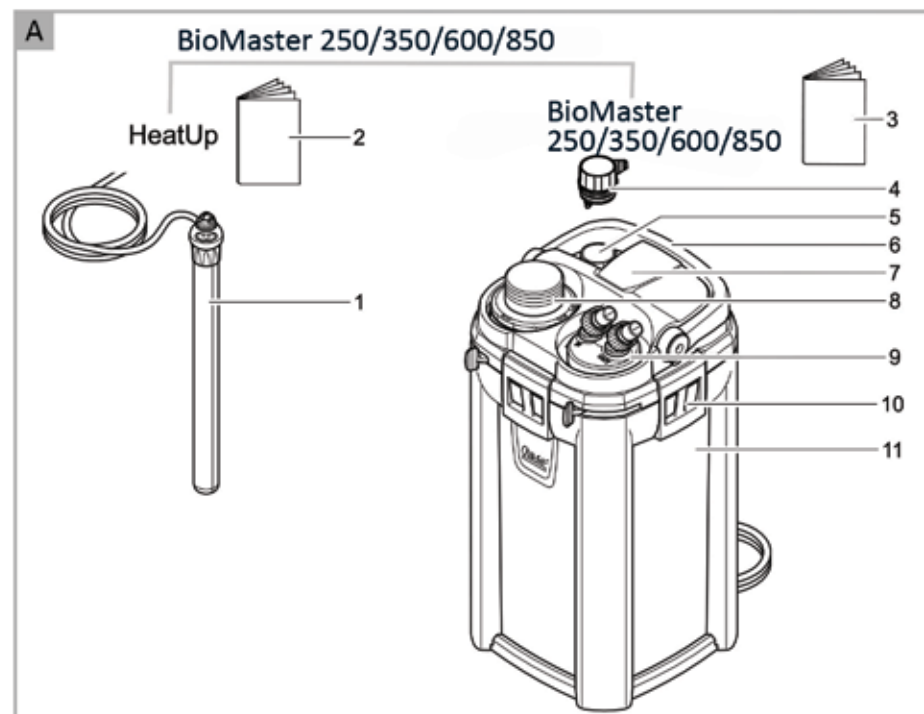
Hel-X Biomedica possède une très grande surface de tassement protégée (800 m² / 1 000 litres) qui permet aux bactéries bénéfiques de se développer et de se développer. Le matériau est conçu pour cesser de flotter dès qu'il atteint un certain niveau de colonisation bactérienne. Hel-X Biomedica doit toujours être contenu dans le sac en filet fourni.

DESCRIPTION DU PRODUIT

Pièces faisant partie de la livraison

A		
BioMaster Thermo		QTY
1	BioMaster Thermo 250: HeatUp 150 chauffage BioMaster Thermo 350: HeatUp 200 chauffage BioMaster Thermo 600: HeatUp 300 chauffage BioMaster Thermo 850: HeatUp 400 chauffage	1
2	Notice d'emploi HeatUp	1
BioMaster, BioMaster Thermo		QTY
3	Notice d'emploi BioMaster 250/350/600/850, BioMaster Thermo 250/350/600/850	1
4	Adaptateur HeatUp	1
5	Bouchon	1
6	Poignée	1
7	Tête d'appareil	1
8	Pré-filtre avec bouton apprêt	1
9	Unité de raccordement d'entrée et de sortie avec clapet anti-retour	1
10	Pincettes de fixation	4
11	Unité filtrante remplie de matériau filtrant (voir P.24)	1
12	Pieds en caoutchouc	4

B		
Assemblage d'entrée, assemblage de sortie		QTY
1	Tuyau d'entrée	1
2	Tuyau flexible (16 mm x 4 m)	1
3	Barre de pulvérisation	2
4	Ventouse	5
5	Adaptateur d'entrée / sortie réglable	2
6	Adaptateur de tuyau d'entrée	1
7	Passoire d'entrée	1
8	Clip	5
9	Pièce coudée	1
10	Écrou d'accouplement	4
11	Pièce de liaison	1
12	Distributeur d'eau	1
13	Bouchon de Barre de pulvérisation	1



ACCES A L'APPAREIL



REMARQUE

Valable pour tous les appareils pourvus d'un chauffage :

- Respecter les règles pour une manipulation prudente. (→ Manipulation prudente du chauffage)

Manipulation prudente du chauffage



ATTENTION

Surface brûlante !

Risque de blessures par brûlure en cas de contact avec le tube de verre.

- Éteindre et laisser refroidir le chauffage avant de le sortir de l'eau.



ATTENTION

Risque de bris de verre !

Le tube de verre du chauffage peut casser et causer des blessures par coupure.

- Manipuler le chauffage avec précaution.
- Laisser refroidir le chauffage chaud. Ne pas le plonger dans l'eau froide et ne pas l'arroser avec de l'eau froide.
- Prendre soin de la fragilité du verre lors de l'installation du réchauffeur dans l'adaptateur ou de l'opération opposée

Démontage du chauffage (BioMaster Thermo modèles)

Le chauffage doit être retiré pour le nettoyage, et pour le démontage de la tête de l'appareil.

Voici comment procéder :

C

1. Soulevez la poignée.
2. Faites tourner l'adaptateur dans le sens inverse des aiguilles d'une montre et tirez vers le haut. Ne retirez pas l'appareil de chauffage de l'adaptateur HeatUp.
- Pour remplacer le chauffage: retirez soigneusement le chauffage d'origine en humidifiant la ampoule de verre avec de l'eau et en retirant l'adaptateur du chauffage. Humidifiez le nouveau chauffage avec de l'eau et poussez-le dans l'adaptateur aussi loin que possible.

Montage du chauffage

Voici comment procéder :

D

1. Tournez l'adaptateur, assemblé avec le chauffage, dans le sens des aiguilles d'une montre dans le trou fileté.
2. Placez le câble de raccordement électrique de l'appareil de chauffage dans le guide-câble.
3. Abaissez la poignée.
- Pour le rééquipement du réchauffeur dans des modèles non Thermo → Compléter le chauffage P.30

Démontage de l'unité de connexion d'entrée et de sortie

L'unité de connexion doit être retirée pour le nettoyage, la maintenance et pour le démontage de la tête de l'appareil lorsque la tubulure est connectée.

Condition préalable : le levier ne peut être déplacé que lorsque le pré-filtre est verrouillé.

Voici comment procéder :

E

1. Déplacez le levier en position «UNLOCK».
 - L'entrée et la sortie sont fermées.
2. Retirez l'unité de connexion. Réglez-le sur le côté avec le tube toujours connecté.

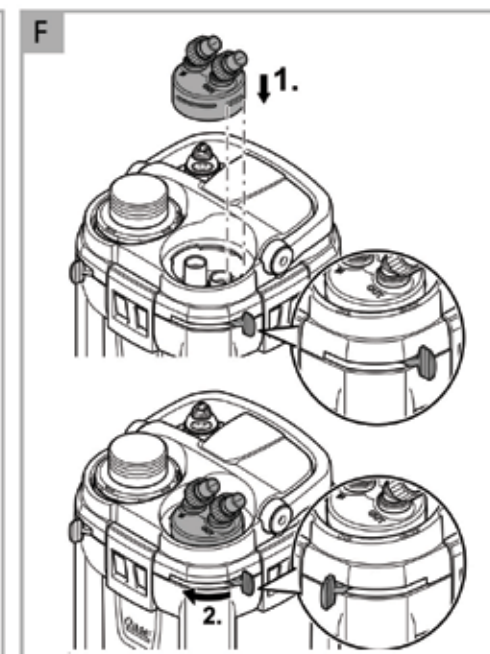
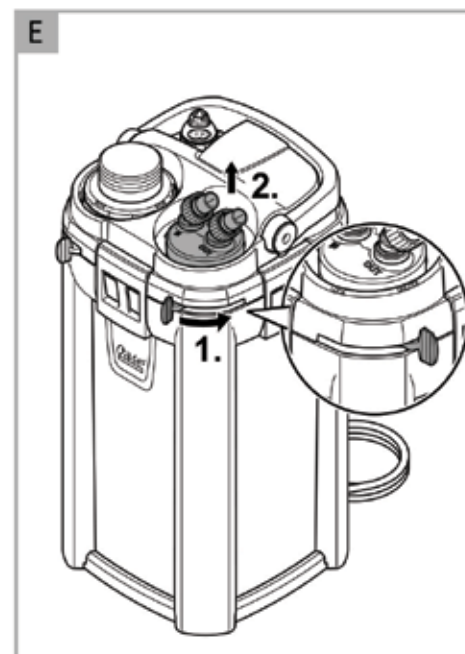
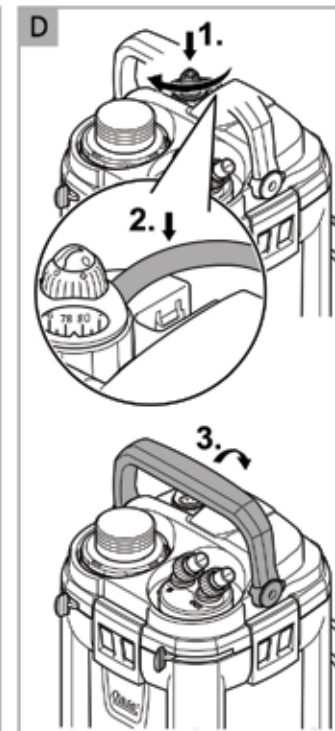
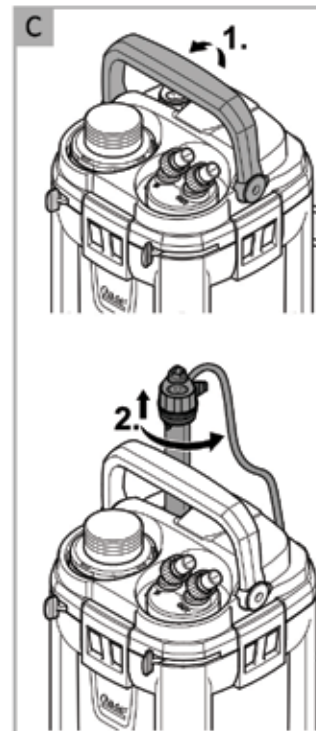
Montage de l'unité de connexion d'entrée et de sortie

Condition préalable: le levier ne peut être déplacé que lorsque le pré-filtre est verrouillé.

Voici comment procéder :

F

1. Installez l'unité de connexion et poussez-la aussi loin que possible dans tête de l'appareil.
 - Assurez-vous que les arêtes de l'unité de connexion sont correctement alignées sur les renforcements de la tête de l'unité.
2. Amenez le levier sur la position «LOCK».
 - L'entrée et la sortie sont ouvertes.



Démontage du pré-filtre

Le pré-filtre doit être retiré pour le nettoyage, la maintenance et la dépose de la tête de l'appareil.
Condition préalable: le levier ne peut être déplacé que lorsque l'unité de connexion est déverrouillée.
Voici comment procéder :

- G
1. Déplacez le levier en position «UNLOCK». L'entrée et la sortie sont déjà fermées.
 2. Retirez le pré-filtre.

Montage du pré-filtre

Condition préalable: le levier ne peut être déplacé que lorsque l'unité de connexion est déverrouillée.
Voici comment procéder :

- H
1. Installez le pré-filtre dans l'ouverture et poussez-le fermement dans la tête de l'appareil aussi loin que possible.
 - Assurez-vous que les arêtes du pré-filtre sont correctement alignées sur les renforcements de la tête de l'appareil.
 2. Amenez le levier sur la position «LOCK».
 - Le pré-filtre est verrouillé.

Démontage de la tête d'appareil

La tête de l'appareil doit être retirée pour le nettoyage, la maintenance et le remplacement du média filtrant.

Conditions préalables :

- Le chauffage a été retiré. (→ Démontage du chauffage P.26)
- l'unité de connexion d'entrée et de sortie a été retiré. (→ Démontage de l'unité de connexion d'entrée et de sortie P.26)
- Pré-filtre a été retiré. (→ Démontage du pré-filtre P.28)

Voici comment procéder :

- I
1. Soulevez la poignée.
 2. Desserrez les fixations en tirant le bas de la fixation vers vous puis en poussant la fixation vers le haut.
 3. Retirez la tête de l'unité.

Montage de la tête d'appareil

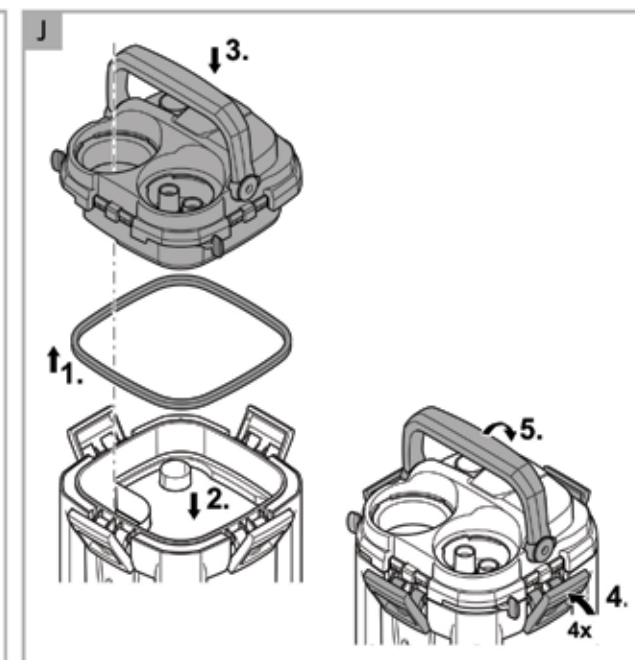
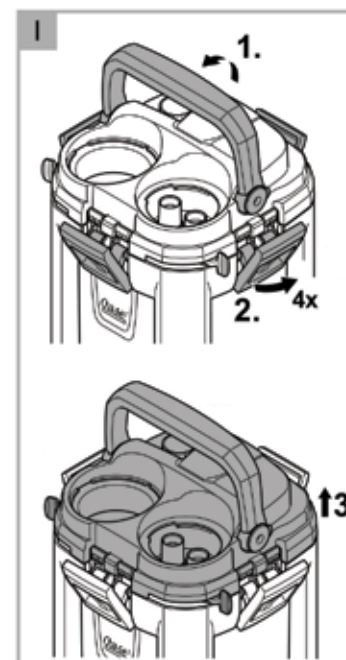
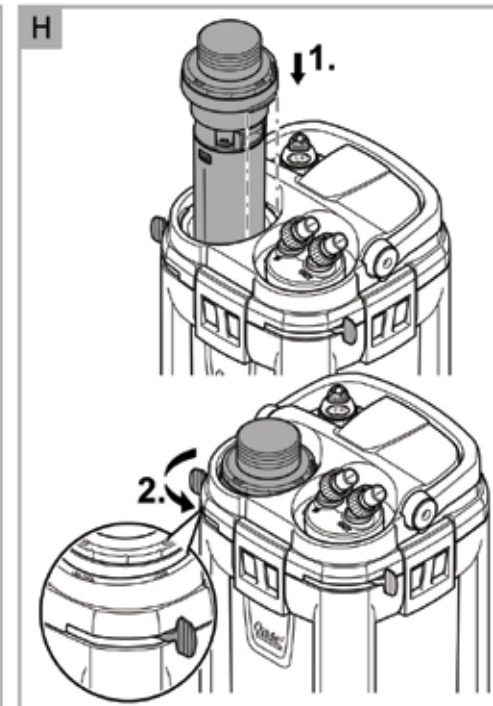
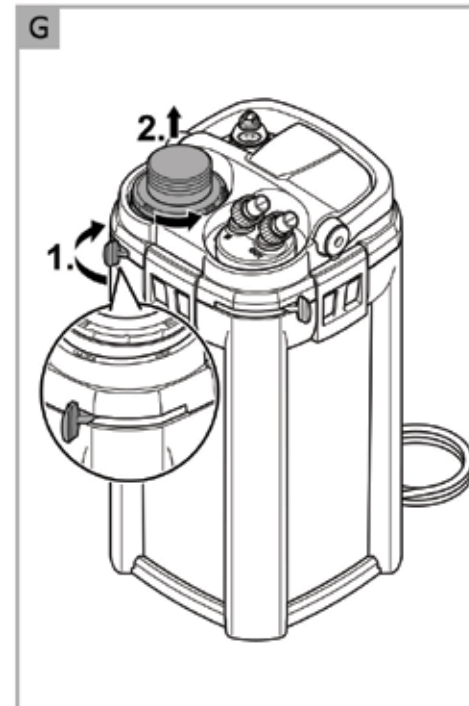
Voici comment procéder :

- J
1. Vérifiez que le joint d'étanchéité sur la tête de l'unité est correctement positionné.
 - Nettoyez le joint, remplacez-le s'il est endommagé.
 2. Assurez-vous que les paniers de filtre sont correctement assemblés et alignés. (→ Nettoyage / remplacement du média filtrant P.38)
 3. Placez la tête de l'unité sur l'unité de filtrage.
 - Assurez-vous que l'ouverture du pré-filtre est alignée sur l'évidement des paniers de filtres.
 4. Verrouillez les fixations en place.
 5. Soulevez la poignée.
 6. Remontez le chauffage. (→ Montage de l'appareil de chauffage P.26)
 7. Remontez le pré-filtre. (→ Montage du pré-filtre P.28)
 8. Remontez l'unité de connexion (→ Monter l'unité de connexion d'entrée et de sortie P.26).

MISE EN PLACE ET RACCORDEMENT

Ordre de réalisation des travaux :

1. Montage des pieds en caoutchouc (→ Montage des pieds de l'appareil P.30)
2. Préparation des matériaux de filtration (→ Nettoyage/Remplacement du matériau de filtration P.37-38)
3. Option : OASE HeatUp Compléter (chauffage) (→ Compléter le chauffage P.30)
4. Mise en place de l'appareil
 - Installez l'appareil à côté ou sous l'aquarium. Respecter la hauteur de refoulement maximale. (→ CARACTERISTIQUES TECHNIQUES P.41)
5. Effectuer les raccordements (→ Effectuer les raccordements P.30)



MISE EN PLACE ET RACCORDEMENT

Montage des pieds de l'appareil

Voici comment procéder :

K

- Visser les pieds en caoutchouc dans les ouvertures sur le fond du récipient.

Préparer le média filtrant



NOTE

Soigneusement rincer tous les matériaux filtrants à l'eau chaude avant la première utilisation pour éliminer d'éventuelles salissures. (→ Nettoyage/Remplacement du matériau de filtration P.37-38)

Compléter le chauffage

Les modèles BioMaster 250/350/600/850 non Thermo peut être complété ultérieurement avec OASE HeatUp.

- Un Adaptateur est nécessaire au montage (inclus dans la livraison).

BioMaster	250	350	600	850
HeatUp	25	-	-	-
	50	○	○	○
	100	○	○	○
	150	●	○	○
	200	-	●	○
	300	-	-	●
	400	-	-	-

○: approprié

●: particulièrement recommandé

Prérequis : L'unité de filtration est débranchée. (→ Déconnexion de l'appareil P.34)



REMARQUE

De l'eau peut s'écouler lors de l'introduction du chauffage lorsque le filtre est complètement rempli d'eau.

- Prendre des mesures pour recueillir l'eau qui s'écoule.

Voici comment procéder :

L

1. Tournez la bouchon dans le sens inverse des aiguilles d'une montre et retirez-la.
2. Humidifiez le chauffe avec de l'eau et poussez-le doucement dans l'adaptateur HeatUp aussi loin que possible.
3. Installez l'appareil de chauffage dans l'unité de filtration. (→ Montage de l'appareil de chauffage P.26)

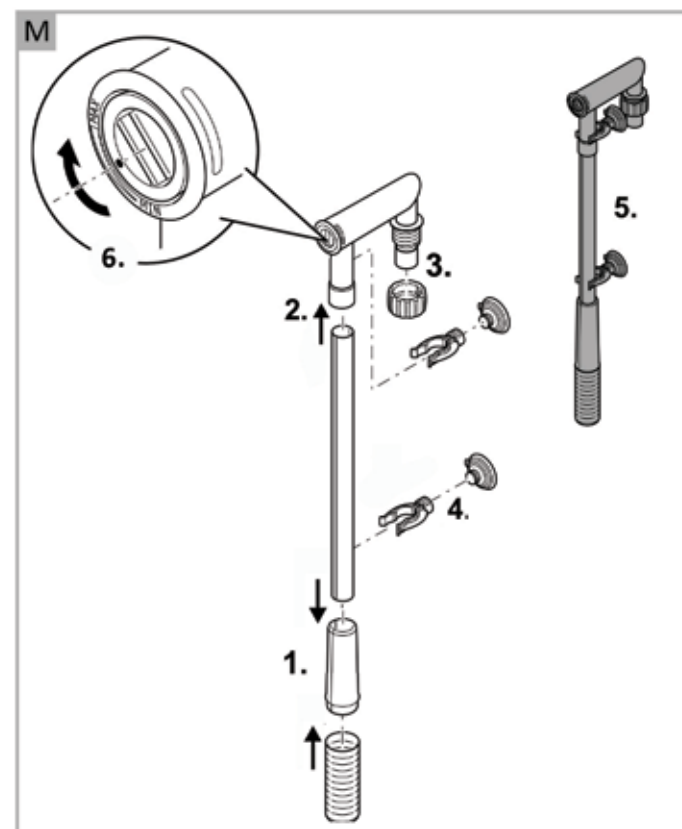
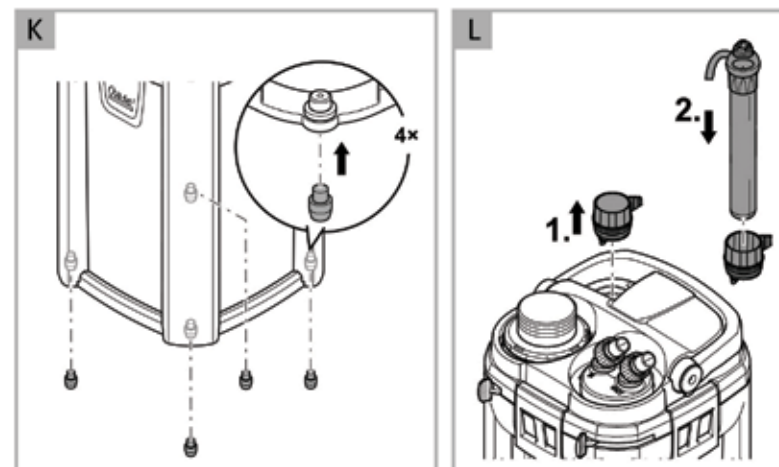
Effectuer les raccordements

Assemblez l'assemblage d'entrée.

How to proceed:

M

- Assemblez l'assemblage d'entrée.
 1. Installez l'assemblage d'entrée en connectant la passoire d'entrée, l'adaptateur et le tuyau d'entrée
 2. Fixez les pièces assemblées à l'adaptateur d'entrée réglable
 3. Visser l'écrou d'accouplement sur l'adaptateur d'entrée réglable
 4. Connectez les clips aux ventouses. Ceux-ci seront utilisés pour fixer l'assemblage d'entrée au réservoir
 5. Fixez les attaches au tuyau d'entrée et à l'adaptateur d'entrée réglable comme indiqué.
 6. Utilisez une pièce de monnaie ou un tournevis à tête plate pour régler le régulateur de débit de l'adaptateur d'entrée sur MAX.

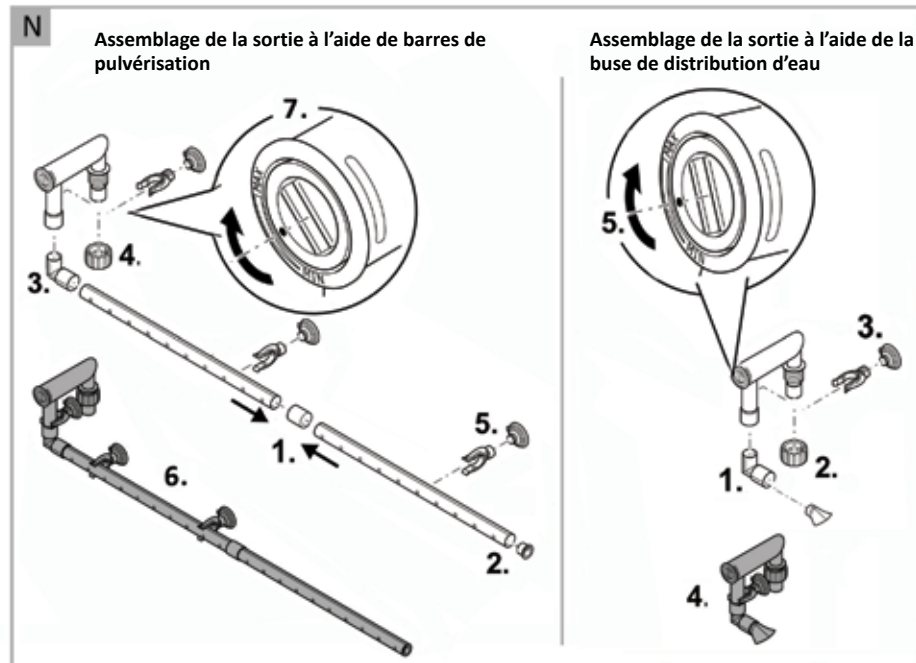


Assemblage de la sortie

L'ensemble de sortie peut être installé à l'aide des barres de pulvérisation ou du distributeur d'eau

Voici comment procéder :

- N
- Assemblage de la sortie à l'aide de barres de pulvérisation
 1. Connectez les deux barres de pulvérisation via la pièce de connexion
 2. Scellez la barre de pulvérisation avec le bouchon
 3. Fixez les barres de pulvérisation à l'adaptateur d sortie réglable via un coude.
 4. Visser l'écrou d'accouplement sur l'adaptateur d sortie réglable
 5. Connectez les clips aux ventouses. Ceux-ci seront utilisés pour attacher l'ensemble de sortie au réservoir
 6. Fixez les attaches aux barres de pulvérisation et à l'adaptateur d sortie réglable, comme indiqué.
 7. Utilisez une pièce de monnaie ou un tournevis à tête plate pour régler le régulateur de débit de l'adaptateur de sortie sur MAX.
 - Assemblage de la sortie à l'aide de la buse de distribution d'eau
 1. Fixez la buse du distributeur d'eau à l'adaptateur d sortie réglable via un coude.
 2. Visser l'écrou d'accouplement sur l'adaptateur d sortie réglable
 3. Connectez le clip à la ventouse. Ceci sera utilisé pour fixer l'assemblage d'admission au réservoir
 4. Fixez les attaches à l'adaptateur d sortie comme indiqué.
 5. Utilisez une pièce de monnaie ou un tournevis à tête plate pour régler le régulateur de débit de l'adaptateur de sortie sur MAX.



Raccordement du tuyau

La procédure est identique pour l'entrée (IN) et la sortie (OUT).

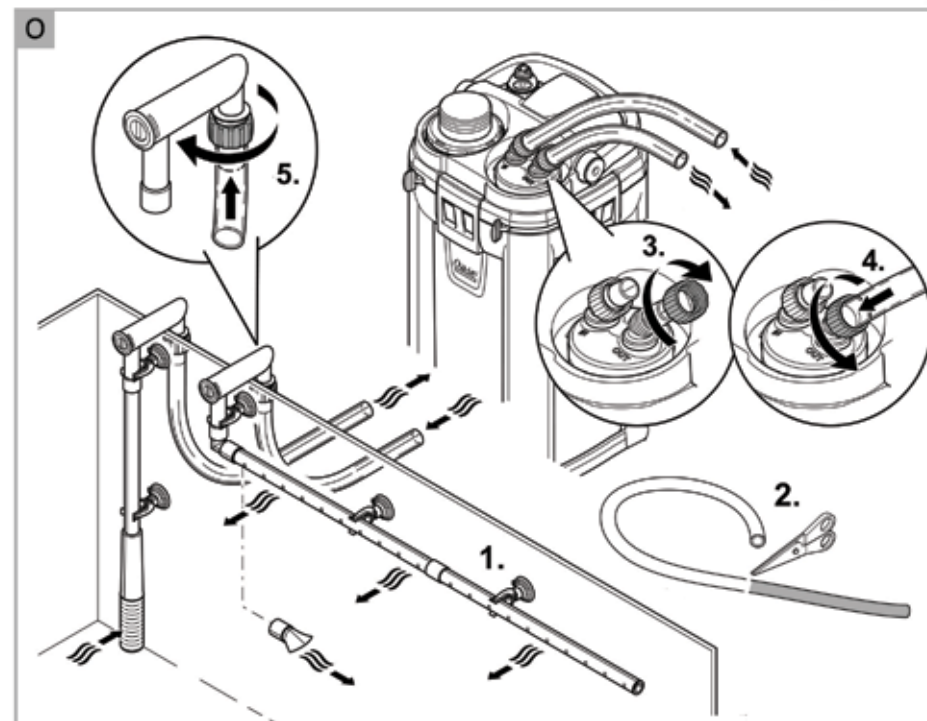
Prérequis: Installez l'unité. Installez l'appareil à côté ou sous l'aquarium. Notez la hauteur maximale de la tête. (→ CARACTERISTIQUES TECHNIQUES P. 41)

How to proceed:

- O
1. Fixez les ensembles d'entrée et de sortie dans l'aquarium à l'aide de ventouses.
 2. Raccourcissez le tube à la longueur requise.
 - Choisissez la longueur de sorte que le tube ne puisse pas se tordre dans la position d'installation souhaitée.
 3. Vissez l'écrou d'accouplement sur l'unité de connexion d'entrée et de sortie sur la tête de l'unité.
 4. Poussez le tube sur l'unité de raccordement et tournez l'écrou d'accouplement dans le sens contraire des aiguilles d'une montre pour fixer le tube.
 5. Poussez l'autre extrémité du tube sur l'adaptateur d'entrée / sortie de l'ensemble entrée / sortie et tournez l'écrou d'accouplement du tube dans le sens anti-horaire pour fixer le tube en place.

MISE EN SERVICE

Le système de filtration doit être purgé lors de sa première mise en service ou à la suite d'un nettoyage complet. Lorsque le récipient, l'unité d'aspiration, et le tuyau ne comportent plus de bulles d'air, la pompe peut refouler l'eau d'elle-même à travers le système de filtration. (→ Purge d'air du système de filtration P.34)



MISE EN SERVICE

Purge d'air du système de filtration

Prérequis : L'unité de filtrage est débranchée. (→ Déconnexion de l'appareil P.34)

Voici comment procéder :

○ P

1. Enfoncer et relâcher le bouton poussoir d'aspiration jusqu'à ce que l'eau circule de l'aquarium vers le filtre.
 - Dès que l'eau s'écoule de l'unité de rejet, le filtre est complètement rempli d'eau.

Mettre l'appareil en circuit



REMARQUE

Toute marche à sec de la pompe est interdite !

Détérioration de la pompe.

- Contrôler régulièrement le niveau d'eau et la circulation d'eau dans le filtre et dans l'aquarium.



REMARQUE

Risque de brûlure causée par la surface brûlante du chauffage ! Un dégagement important de chaleur entraîne une destruction du chauffage et du filtre.

- Mettre uniquement le chauffage en marche lorsque le filtre est complètement rempli d'eau et en circuit, et que l'eau circule continuellement.
- Éteindre et laisser refroidir le chauffage avant de le sortir de l'eau.

Voici comment procéder :

○ Q

1. Poser chaque câble de raccordement au secteur en veillant à la formation boucle d'égouttement.
2. Branchez le câble de raccordement sur le secteur.
 - La pompe se met immédiatement en circuit.
 - Des bulles d'air dans le filtre peuvent être à l'origine de bruits. Les bulles d'air s'échappent peu après la mise en circuit.
3. **Appareil pourvu d'un chauffage** : Réglez la température de l'eau au niveau du chauffage et mettre le chauffage en circuit (→ Notice d'utilisation chauffage).

Déconnexion de l'appareil

Voici comment procéder :

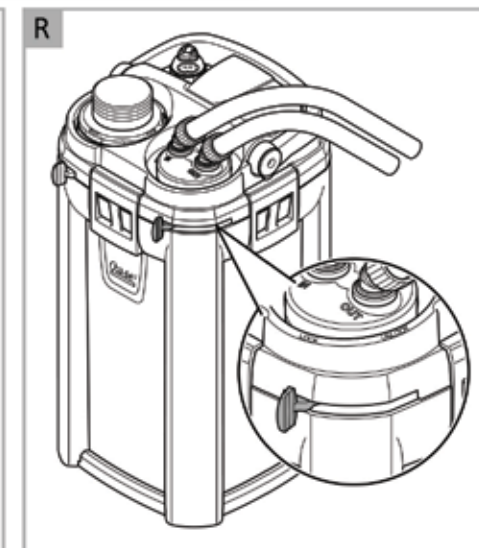
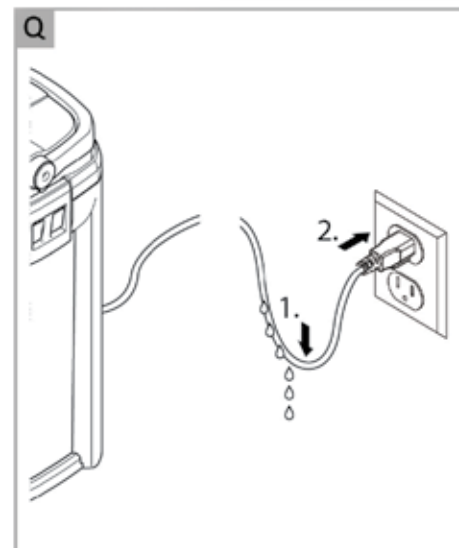
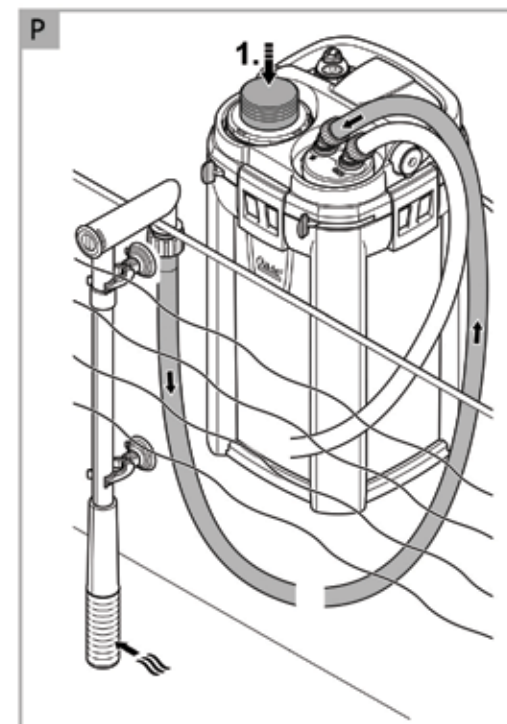
- Débranchez l'appareil du secteur.
- **Unité avec appareil de chauffage** : Débranchez l'appareil et l'appareil de chauffage de l'alimentation électrique

Régler le débit

Voici comment procéder :

○ R

- Déplacez le levier de l'unité de raccordement entrée / sortie pour régler le débit souhaité
 - "LOCK": débit maximum
 - "UNLOCK": pas de débit, l'entrée et la sortie sont fermées



ÉLIMINATION DES DERANGEMENTS

Défaut	Cause	Remède
L'appareil ne démarre pas	La tension secteur manque	Vérifier la tension secteur
	L'unité de fonctionnement est bloquée	Nettoyer (→ P.39)
	Présence d'air dans le filtre	Purger l'air du filtre. Voir le faire bouger d'un côté à l'autre afin que l'air restant puisse mieux s'échapper.
Débit d'eau insuffisant	L'unité de fonctionnement est encrassée	Nettoyer (→ P.39)
	Unité de fonctionnement usée	Remplacer l'unité de fonctionnement (→ P.39)
	Débit mal réglé	Corriger le réglage (→ P.34)
	Mousse filtrante du pré-filtre colmatée	Nettoyer (→ P.38)
	Matériau de filtration colmaté dans le récipient	Nettoyer (→ P.38)
	Panier d'aspiration bouché	Nettoyer
Effet filtrant insuffisant	Système de tuyaux encrassé	Nettoyer l'assemblage d'entrée et sortie et la tubulure
	Mousse filtrante du pré-filtre colmatée	Nettoyer (→ P.37)
	Mousse filtrante du pré-filtre usée	Remplacer (→ P.37)
	Matériau de filtration colmaté dans le récipient	Nettoyer (→ P.38)
Réchauffement d'eau insuffisant (que pour les appareils pourvus d'un chauffage)	Matériau de filtration usé dans le récipient	Remplacer (→ P.38)
	Chauffage défectueux	Remplacer
	Chauffage non calibré	Calibrer
	La température de l'eau est mal réglée au niveau du chauffage	Corriger la température de l'eau au niveau du chauffage
L'air dans le filtre ne se laisse pas purger	Débit d'eau insuffisant	Voir défaut "Débit d'eau insuffisant"
	Corps de soupape bouché dans le pré-filtre	Nettoyer le corps de soupape (→ P.39)
Niveau sonore élevé	Le filtre ne se trouve pas en-dessous de la ligne d'eau	Placer le filtre en-dessous de la ligne d'eau
	Présence d'air dans le filtre	Faire bouger le filtre d'un côté à l'autre afin que l'air restant puisse mieux s'échapper.

NETTOYAGE ET ENTRETIEN

- Si besoin, nettoyer l'appareil à l'eau claire et avec une brosse douce.
- Ne pas utiliser de produits de nettoyage ou de solutions chimiques.
- Les cycles de nettoyage et de remplacement des matériaux de filtration dépendent de la taille de l'aquarium et de sa population. Par conséquent, le nettoyage et le remplacement devraient être exécutés en fonction du besoin pour assurer l'entière performance de filtration.
- En présence de plusieurs mousses filtrantes : Nettoyer ou remplacer les mousses filtrantes avec décalage dans le temps. Cette manière permet de protéger les bactéries filtrantes utiles et d'assurer un bon nettoyage biologique de l'eau.



NOTE

Soigneusement rincer tous les matériaux filtrants à l'eau chaude avant la première utilisation pour éliminer d'éventuelles salissures. (→ Nettoyage/Remplacement du matériau de filtration P.37-38)

Opérations de nettoyage et d'entretien :

Domaine	Opérations à effectuer
Mousse filtrante , pré-filtre	(→ Nettoyage/Remplacement de la mousse filtrante du pré-filtre P.37)
Matériau de filtration récipient	(→ Nettoyage/Remplacement du matériau de filtration P.38)
Chauffage	HeatUp Notice d'emploi HeatUp 25/50/100/150/200/300/400
Unité de fonctionnement, corps de pompe	(→ Nettoyage/Remplacement de l'unité de fonctionnement P.39)
Corps de soupape pré-filtre	(→ Nettoyage du corps de soupape pré-filtre P.39)
Boîtier d'aspiration pré-filtre	(→ Nettoyage du boîtier d'aspiration pré-filtre P.40)



REMARQUE

Le cycle pour le nettoyage de la mousse filtrante dans le pré-filtre est rallongé lorsqu'une mousse filtrante plus grossière est utilisée

Nettoyage/Remplacement de la mousse filtrante du pré-filtre

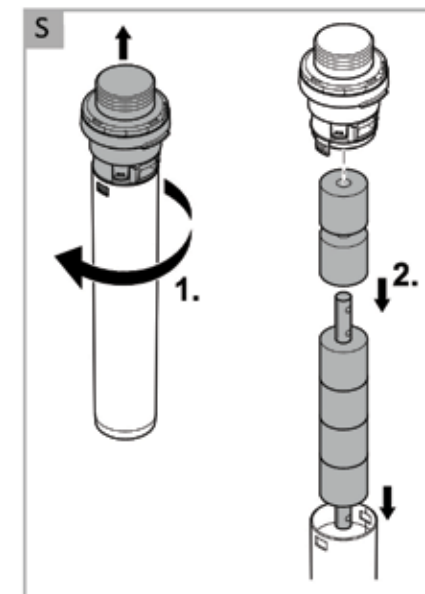
Condition préalable : Le pré-filtre est démonté.

(→ Démontage du pré-filtre P.28)

Voici comment procéder:

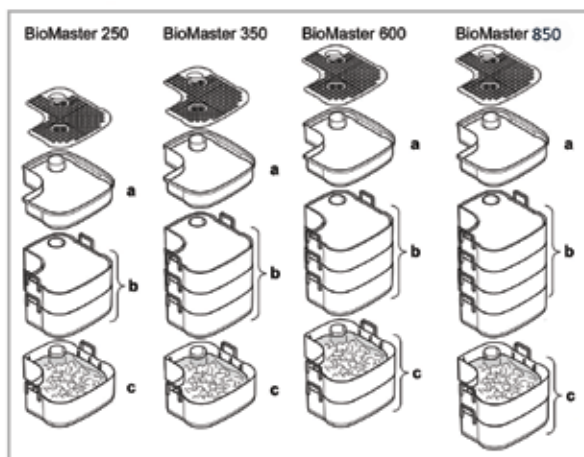
○S

1. Tournez le boîtier jusqu'à ce que les crochets de verrouillage soient enfoncés, puis retirez le boîtier.
2. Retirer le tuyau de pré-filtre et les mousses filtrantes.
 - BioMaster 250/BioMaster Thermo 250: 4 mousses filtrantes.
 - BioMaster 350/BioMaster Thermo 350: 5 mousses filtrantes.
 - BioMaster 600/BioMaster Thermo 600: 6 mousses filtrantes.
 - BioMaster 850/BioMaster Thermo 850: 6 mousses filtrantes.
3. Rincer les mousses filtrantes sous l'eau chaude. Remplacez les mousses filtrantes en cas de besoin. (→ PIÈCES D'USURE P.40-41).
4. Remontez le pré-filtre en suivant l'ordre inverse
 - Assurez-vous que les crochets de verrouillage sont bien en place dans le boîtier.



Matériaux de filtration à la livraison

a	Mousse filtrante 30 ppi
b	Mousse filtrante 20 ppi
c	Toujours poser les bioéléments Hel-X avec le sa-chet dans l'enveloppe filtrante



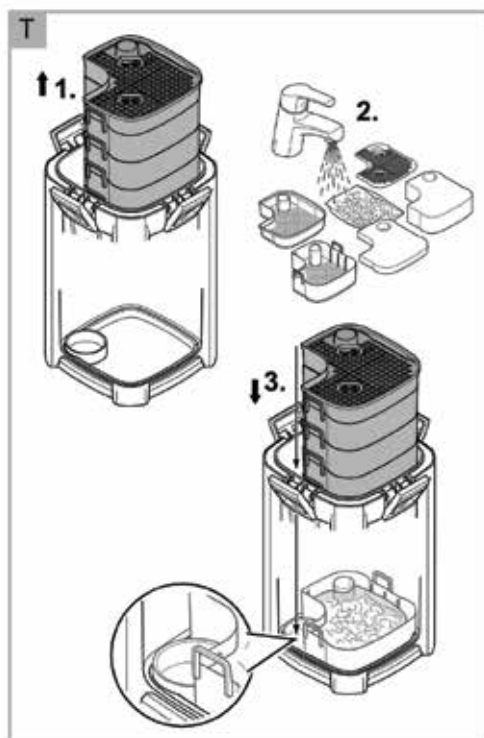
Nettoyage/Remplacement du matériau de filtration

Condition préalable : La tête de l'appareil est enlevée. (→ Démontage de la tête d'appareil P.28)

Voici comment procéder :

○ T

- Retirez tous les paniers de filtration.
- Nettoyez les paniers de filtration et le récipient
 - Rincez le matériau de filtration sous l'eau.
 - Remplacez le matériau de filtration en cas de besoin. Rincez soigneusement le nouveau média filtrant à l'eau chaude du robinet avant sa première utilisation.
- Posez soigneusement les paniers de filtration dans le logement inférieur dans le récipient.
 - Assurez-vous que le couvercle du filtre est placé sur le filtre en mousse dans le panier-filtre supérieur.
- Remonter l'appareil en suivant l'ordre inverse. (→ ACCES A L'APPAREIL P.26-28)



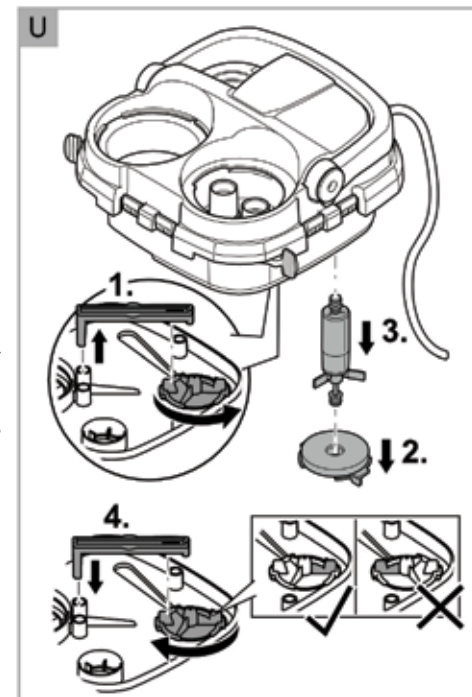
Nettoyage/Remplacement de l'unité de fonctionnement

Condition préalable : La tête de l'appareil est enlevée. (→ Démontage de la tête d'appareil P.28)

Voici comment procéder :

○ U

- Retirez l'élément de ventilation.
- Tourner le couvercle de pompe dans le sens antihoraire (verrouillage à baïonnette) et l'enlever.
- Retirez et nettoyez l'unité de fonctionnement. Remplacez si nécessaire.
- Remettez l'unité de fonctionnement en place, poser le couvercle de pompe et verrouiller (en tournant dans le sens horaire).
 - Veiller au positionnement correct des deux blocs élastiques.
- Remonter l'appareil en suivant l'ordre inverse.



Nettoyage du corps de soupape pré-filtre

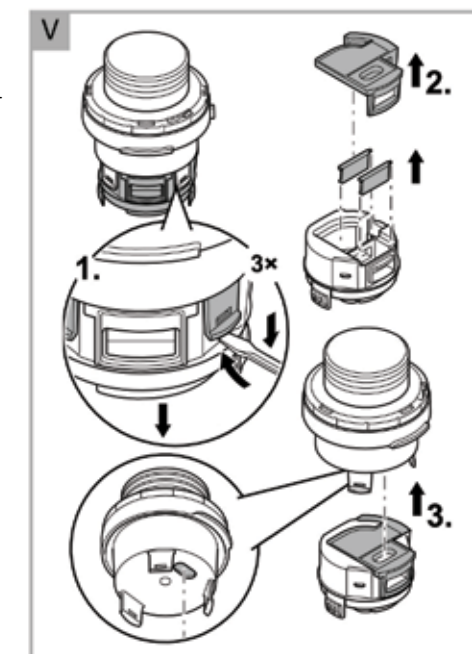
Le corps de soupape doit uniquement être nettoyé lorsque l'aération ne fonctionne pas, bien que les mousses filtrantes du pré-filtre aient été nettoyées auparavant.

Condition préalable : Le pré-filtre est démonté. (→ Démontage du pré-filtre P.28)

Voici comment procéder :

○ V

- Desserrez les fixations et retirez le boîtier de la vanne.
 - Si nécessaire, soulevez délicatement les fixations à l'aide d'un tournevis.
- Retirez le joint de la vanne et les deux clapets. Nettoyez toutes les pièces.
- Assemblez le boîtier de la vanne dans l'ordre inverse.
 - Assurez-vous que les clapets montés peuvent être facilement déplacés.
 - Remarque: Assurez-vous que l'ouverture du joint de la vanne est alignée avec précision sur l'ouverture de la chambre d'aspiration.



Nettoyage du boîtier d'aspiration pré-filtre

Le boîtier d'aspiration doit uniquement être nettoyé lorsque l'aération ne fonctionne pas, bien que les mousses filtrantes et le corps de soupape du pré-filtre aient été nettoyés auparavant.

Condition préalable : Le pré-filtre est démonté. (→ Démontage du pré-filtre P.28)



ATTENTION

Ressort puissant dans le boîtier d'aspiration pouvant faire l'effet d'un projectile.

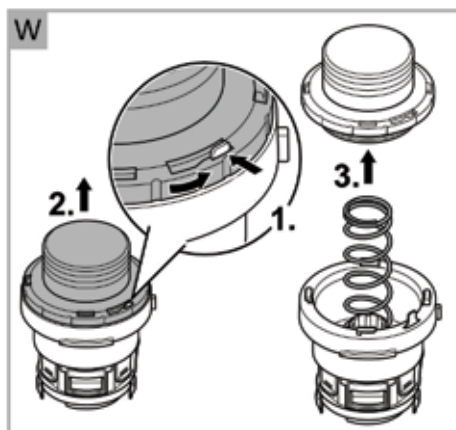
Risque de blessure par projection de pièces !

- Ne pas diriger le bouton poussoir d'aspiration sur des personnes lors de l'ouverture.
- Bien tenir le bouton poussoir d'aspiration.

Voici comment procéder :

○ W

1. Appuyez sur les crochets d'engagement, maintenez et tournez la bague de verrouillage dans le sens inverse des aiguilles d'une montre (verrouillage à baïonnette).
2. Soulevez délicatement le bouton d'aspiration jusqu'à ce que le ressort soit soulagé.
3. Retirez le bouton d'aspiration et le ressort.
4. Nettoyez la chambre d'aspiration.
5. Assemblez la chambre d'aspiration dans l'ordre inverse.



PIECES D'USURE

Les composants suivants sont des pièces d'usure et ne sont pas couverts par la garantie.

- Matériau de filtration
- Unité de fonctionnement
- Ventouses

RECYCLAGE



REMARQUE

Ne jetez pas cet appareil avec les ordures ménagères.

- Rendre l'appareil inutilisable au préalable en coupant les câbles et l'éliminer via le système de retour prévu à cet effet.

PIECES DE RECHANGE

L'appareil continue de fonctionner de manière fiable et sécurisée avec des pièces originales d'OASE. Vous trouvez nos pièces de rechange et leurs schémas sur notre site internet. <https://www.oase-livingwater.com>

Mousses filtrantes

Choisissez n'importe quelle combinaison de mousses de pré-filtre de remplacement pour créer la meilleure filtration pour vos besoins d'aquarium

numéro d'article	Description
49626	BioMaster 30 ppi Ensemble de mousse de pré-filtre
49560	BioMaster 45 ppi Ensemble de mousse de pré-filtre
49583	BioMaster 60 ppi Ensemble de mousse de pré-filtre
49744	BioMaster 45 ppi Carbone Ensemble de mousse de pré-filtre

CARACTERISTIQUES TECHNIQUES

Description		BioMaster, BioMaster Thermo				
		250	350	600	850	
Tension assignée	V	120	120	120	120	
Fréquence de réseau	Hz	60	60	60	60	
Indice de protection		IPX4	IPX4	IPX4	IPX4	
Puissance absorbée, filtre	W	15	16	23	25	
Puissance absorbée, Chauffage (BioMaster Thermo models)	W	150	200	300	400	
Capacité de refoulement	maximal	l/h	900	1100	1250	1500
Hauteur de refoulement	maximal	m	1,7	1,8	2	2,25
Volume du filtre	l	4,4	5,6	6,8	8	
Volume du pré-filtre	l	0,4	0,5	0,6	0,6	
Recommandé pour des volumes d'aquarium	l	250	350	600	850	
Longueur du raccordement au réseau	m	1,8	1,8	1,8	1,8	
Unité de raccordement entrée / sortie, s'adapte aux tubes	diamètre intérieur	mm	16	16	16	16
	Longueur	mm	240	240	240	240
Dimensions	Largeur	mm	240	240	240	240
	Hauteur	mm	370	425	480	535
Poids	kg	4,1	4,5	5	6	

SYMBOLES SUR L'APPAREIL

IP X4	Protégé de tous côtés contre la projection d'eau.
	Classe de protection II, double isolation risquant de conduire une tension électrique en cas de défaut.
	Pour une utilisation en intérieur.
	A ne pas évacuer dans les ordures ménagères
	Lire et respecter la notice d'utilisation

Questions, problèmes, pièces manquantes ?

Avant de retourner chez votre détaillant, appelez au 1 866 627-3435, heure de l'Est, ou encore envoyez-nous un courriel à l'adresse customer@oase-livingwater.com.

INSTRUCCIONES IMPORTANTES DE SEGURIDAD - ¡LEA Y SIGA TODAS LAS INSTRUCCIONES DE SEGURIDAD!

GUARDE ESTAS INSTRUCCIONES EN UN LUGAR SEGURO.

INDICACIONES DE SEGURIDAD Este equipo puede ser utilizado por niños a partir de 8 años y mayores así como por personas con capacidades físicas, sensoriales o mentales reducidas o que no dispongan de la experiencia y conocimientos necesarios, cuando sean supervisados o hayan sido instruidos en el uso seguro del equipo y los posibles peligros resultantes. Los niños no deben jugar con el equipo. Está prohibido que los niños ejecuten la limpieza y el mantenimiento sin supervisión. Desconecte el enchufe de alimentación antes de realizar cualquier trabajo en la unidad.

ADVERTENCIA- Para evitar lesiones, las precauciones básicas de seguridad deben ser observadas, incluidas las siguientes:

- PELIGRO: para evitar posibles descargas eléctricas, se debe tener especial cuidado ya que se usa agua en el uso de equipos de acuarios. Para cada una de las siguientes situaciones, no intente las reparaciones usted mismo; devuelva el electrodoméstico a un centro de servicio autorizado para su reparación o deseche el aparato
- Apague todas las unidades en el acuario y desconecte los enchufes de todas las unidades antes de alcanzar el agua o mover / limpiar la unidad.
- ¡PRECAUCIÓN! Riesgo de descarga eléctrica: no use la bomba cuando haya personas en el agua.
- ¡PRECAUCIÓN! Esta unidad ha sido evaluada para usarse solo con agua.
- ¡PELIGRO! ¡Nunca opere la unidad si los cables eléctricos o la carcasa están defectuosos!
- No instale ni almacene el artefacto donde esté expuesto a la intemperie o a temperaturas bajo cero.
- No transporte ni jale la unidad por su cable eléctrico.
- En caso de una operación de "reequipamiento", lea atentamente y siga el contenido de este manual, así como el manual de instrucciones del calentador.

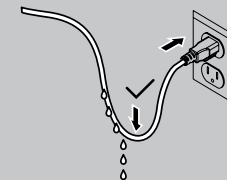
- Si es necesario un cable de extensión, se debe usar un cable con la clasificación adecuada. Un cable clasificado para menos amperios o vatios que la clasificación del artefacto puede sobrecalentarse. Se debe tener cuidado para colocar el cable de modo que no se tropiece ni se lo tire.
- No intente abrir la caja de la bomba / motor.
- Tienda los cables / mangueras de modo que estén protegidos contra daños y no presenten un peligro de tropiezo.
- Solo abra la carcasa de la unidad o sus componentes auxiliares, cuando esto se requiera explícitamente en las instrucciones de funcionamiento.
- ¡PELIGRO! Solo realice trabajos en la unidad que se describe en este manual.
Si no puede resolver los problemas, póngase en contacto con un punto de atención al cliente autorizado o, en caso de duda, con el fabricante.
- Utilice únicamente piezas de repuesto y accesorios originales para la unidad.
- ¡PELIGRO! Nunca realice modificaciones técnicas a la unidad. No corte el cable ni quite el enchufe del cable.
- Los cables de conexión de alimentación no pueden ser reemplazados. Si un cable está dañado, deseche la unidad o componentes respectivos.
- La unidad impulsora en la bomba contiene un imán con un fuerte campo magnético que puede afectar el funcionamiento de los marcapasos o los desfibriladores cardioversores implantables (ICD). Siempre mantenga los imanes a una distancia mínima de 0,7 pies de los dispositivos implantados.

Conexión eléctrica

- Lea y observe todos los avisos importantes en el electrodoméstico.
- En caso de retroadaptación, respete la potencia recomendada que se muestra en la tabla de la página 50, utilizando únicamente calentadores OASE HeatUp.
- Conecte la unidad solo si los datos eléctricos de la unidad y la fuente de alimentación coinciden. Los datos de la unidad se encuentran en la placa de características de la unidad, en el embalaje o en este manual.
- Proteja las conexiones de enchufe de la humedad.
- Solo enchufe la unidad a una toma correctamente instalada.
- Tenga todas las tomas eléctricas instaladas y reparadas por un electricista autorizado.
- ¡PELIGRO! Desconecte la bomba de la toma de corriente a la primera señal de cualquier problema.
- ¡PELIGRO! Si el enchufe o receptáculo se moja, NO desconecte el cable. Desconecte el fusible o el cortacircuitos que suministra energía al artefacto. Luego, desconecte y examine la presencia de agua en el receptáculo.
- ¡PELIGRO! No pellizque, tuerza ni dañe el cable eléctrico. Un corte menor, aunque solo sea en el ar-mazón exterior, podría permitir que el agua llegue al alojamiento del motor

y dañe la bomba. Si nota algún daño en el cable, retire la bomba y guárdela en un lugar seco. Consultar cualquier daño al cable eléctrico anulará todas las garantías y podría ocasionar un grave peligro de descarga eléctrica.

- Para evitar la posibilidad de que el enchufe del electrodoméstico se moje, evite que el agua gotee en el enchufe. Un "lazo de goteo", que se muestra en la figura a continuación, debe ser arreglado por el usuario para cada cable que conecta un aparato de acuario a un receptáculo. El "lazo de goteo" es la parte del cable por debajo del nivel del receptáculo, el conector si se usa un cable de extensión, para evitar que el agua viaje a lo largo del cable y entre en contacto con el receptáculo.



GUARDE ESTAS INSTRUCCIONES

¿Preguntas, problemas, partes faltantes?

Antes de regresar con su vendedor, llame al 1-866-627-3435 de 8 am a 6 pm, hora del este, de lunes a viernes, o envíenos un correo electrónico a customer care@oase-livingwater.com. O visite nuestra página web www.oase-livingwater.com

Advertencias utilizadas en estas instrucciones

INDICACIÓN

Informaciones para un mejor entendimiento.

CUIDADO

- Denomina una situación posiblemente peligrosa.
- En caso de incumplimiento, la consecuencia puede ser una lesión ligera.

Referencias cruzadas utilizadas en estas instrucciones

○ A Referencia a una ilustración, p. ej. ilustración A.

→ Referencia a otro capítulo.

DESCRIPCIÓN DEL PRODUCTO

Uso conforme a lo prescrito

BioMaster 250/350/600/850, BioMaster Thermo 250/350/600/850, en lo sucesivo, "el equipo", solo puede utilizarse de la siguiente manera:

- **BioMaster 250/350/600/850:** Filtre el agua y déjela circular.
- **BioMaster Thermo 250/350/600/850:** Caliente el agua, fíltrela y déjela circular.
- Para la operación con agua dulce o agua salada.
- Operación observando los datos técnicos.

Para el equipo son válidas las siguientes limitaciones:

- Emplear sólo en interiores y para fines acuáticos privados.
- Operación sólo con agua a una temperatura del agua de +4 °C a +35 °C.

Descripción del funcionamiento

Aspirada por una bomba en la cabeza del equipo, el agua fluye primero por el prefiltro y después desde abajo hacia arriba por los materiales de filtrado uno encima del otro. El agua fluye a continuación por barra de pulverización o retorna a través del distribuidor de agua al acuario.

Como materiales de filtrado se emplean esponjas filtrantes de diferentes densidades de poros y bioelementos Hel-X. En un equipo con calentador el agua se calienta durante el recorrido por el sistema de filtrado.

materiales de filtrado en Volumen de suministro

	BioMaster/ BioMaster Thermo 250	BioMaster/ BioMaster Thermo 350	BioMaster/ BioMaster Thermo 600	BioMaster/ BioMaster Thermo 850
45 ppi carbón espuma de prefiltro	4	5	6	6
30 ppi espuma de filtro grueso	1	1	1	1
20 ppi espuma de filtro ultra grueso	2	3	3	4
Hel-X Biomedía	1 unidad	1 unidad	2 unidad	2 unidad

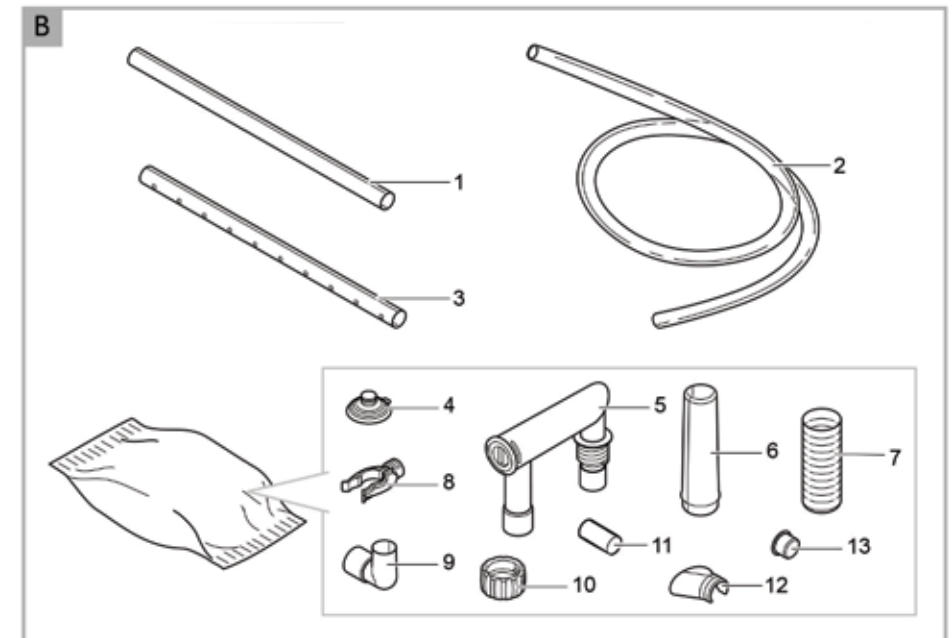
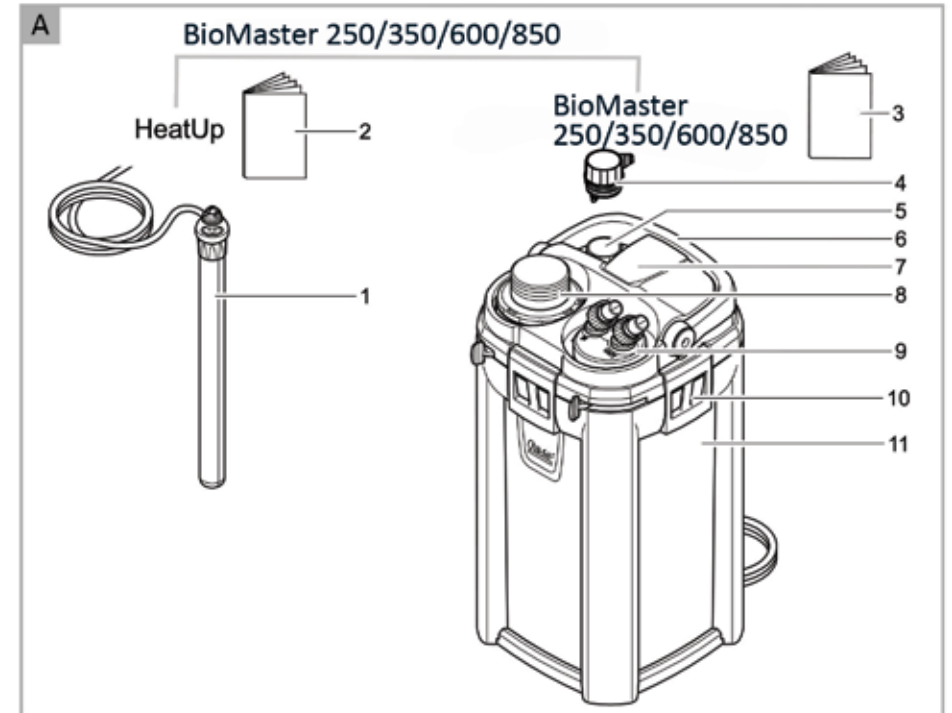
Hel-X Biomedía tiene una superficie de asentamiento protegida extremadamente grande (800 m² / 1000 litros) que permite que las bacterias beneficiosas crezcan y prosperen. El material está diseñado para dejar de flotar tan pronto como alcance un cierto nivel de colonización de bacterias. Hel-X Biomedía siempre debe estar contenido en la bolsa de malla provista.

DESCRIPCIÓN DEL PRODUCTO

Volumen de suministro

A		QTY
BioMaster Thermo		
1	BioMaster Thermo 250: HeatUp 150 calentador BioMaster Thermo 350: HeatUp 200 calentador BioMaster Thermo 600: HeatUp 300 calentador BioMaster Thermo 850: HeatUp 400 calentador	1
2	Instrucciones de uso HeatUp	1
BioMaster, BioMaster Thermo		QTY
3	Instrucciones de uso BioMaster 250/350/600/850, BioMaster Thermo 250/350/600/850	1
4	HeatUp adaptador	1
5	Tapón	1
6	Manija	1
7	Cabeza del equipo	1
8	Pre-filtro con botón de cebador	1
9	Unidad de conexión de entrada y salida con válvula de retención	1
10	Cierre de fijación	4
11	Unidad de filtro, llena de medios de filtro (ver P.44)	1
12	Pies de goma	4

B		QTY
Unidad de entrada, Unidad de salida		
1	Tubo de entrada	1
2	Tubo flexible (16 mm x 4 m)	1
3	Barra de pulverización	2
4	Ventosa	5
5	Adaptador de entrada / salida ajustable	2
6	Adaptador de tubo de entrada	1
7	Colador de entrada	1
8	Broche	5
9	Pieza angular	1
10	Tuerca racor	4
11	Pieza de conexión	1
12	Boquilla distribuidor de agua	1
13	Tapa de barra de pulverización	1



ACCESO AL EQUIPO



INDICACIÓN

Para todos los equipos con calentador es válido:

- Se tienen que cumplir las reglas para el manejo cuidadoso. (→ Manejo cuidadoso con el calentador)

Manejo cuidadoso con el calentador



⚠ CUIDADO

¡Superficie caliente!

Lesión por quemadura si se toca el émbolo de cristal.

- Desconecte primero el calentador, déjelo enfriar y sáquelo después del agua.



⚠ CUIDADO

¡Peligro de rotura del cristal! El émbolo de cristal del calentador se puede romper y ocasionar lesiones de corte.

- Manipule el calentador con cuidado.
- Deje enfriar el calentador caliente. No sumerja el calentador en agua fría y no vierta agua fría encima de él.
- Tenga cuidado con la fragilidad del vidrio al instalar el calentador en el adaptador o en la operación opuesta

Desmontaje del calentado (BioMaster Thermo modelos)

El calentador debe retirarse para su limpieza, mantenimiento y para retirar la cabeza de la unidad.

Proceda de la forma siguiente:

○ C

1. Levante el asa.
2. Gire el adaptador en sentido contrario a las agujas del reloj y tire hacia arriba. No retire el calentador del adaptador HeatUp.
 - Para cambiar el calentador: retire con cuidado el calentador original humedeciendo el bulbo de vidrio con agua y retirando el adaptador del calentador. Humedezca el nuevo calentador con agua y empuje el calentador en el adaptador hasta el tope.

Montaje del calentador

Proceda de la forma siguiente:

○ D

1. Gire el adaptador, montado con el calentador, en el sentido de las agujas del reloj en el orificio roscado.
 2. Coloque el cable de conexión eléctrica del calentador en la guía del cable.
 3. Baje el asa.
- Para reacondicionar el calentador Heat Up en modelos no Thermo → Reequipamiento del calentador P.50

Desmontaje del unidad de conexión de entrada y salida

La unidad de conexión debe retirarse para su limpieza, mantenimiento y para retirar la cabeza de la unidad cuando el tubo está conectado.

Requisito previo: la palanca solo se puede mover cuando el prefiltro está "LOCK"

Proceda de la forma siguiente:

○ E

1. Mueva la palanca a la posición "DESBLOQUEO".
 - La entrada y la salida están cerradas.
2. Retire la unidad de conexión. Póngalo a un lado con el tubo aún conectado.

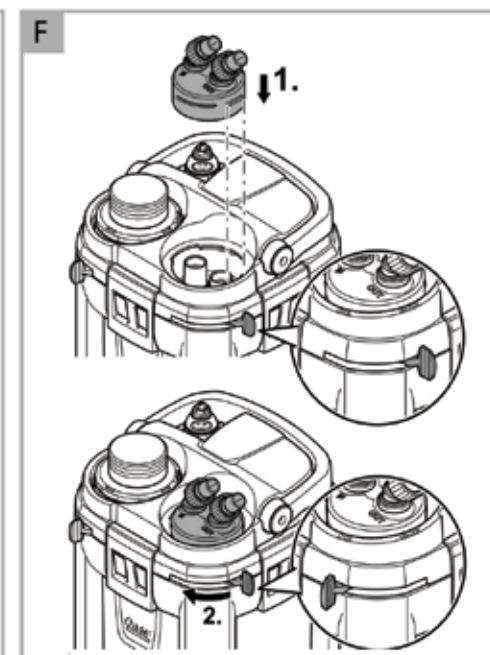
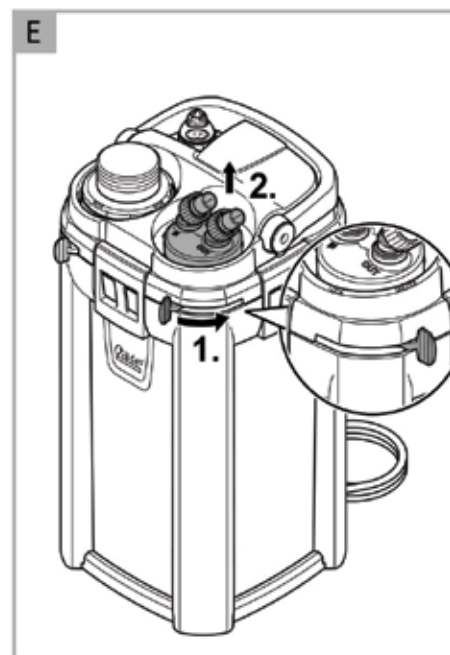
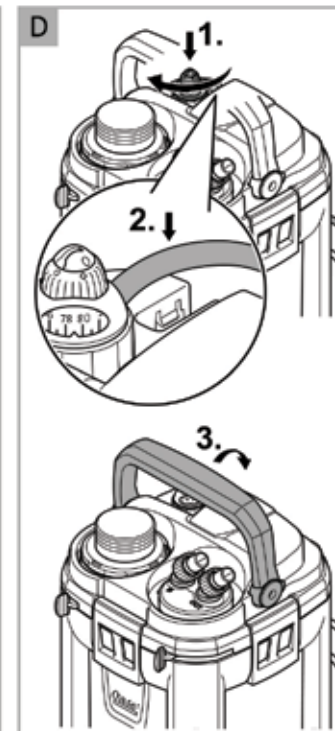
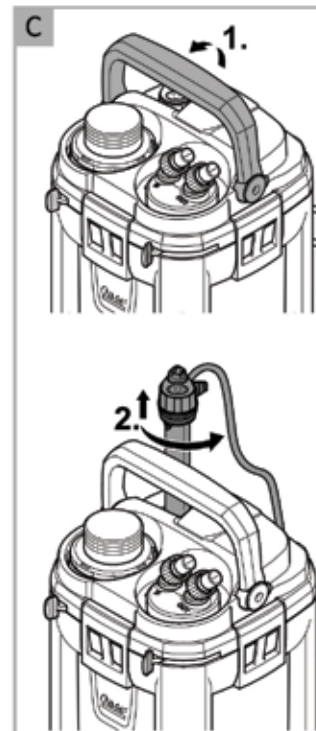
Montaje del unidad de conexión de entrada y salida

Requisito previo: la palanca solo se puede mover cuando el prefiltro está bloqueado.

Proceda de la forma siguiente:

○ F

1. Coloque la unidad de conexión y empújela en el cabezal de la unidad hasta el tope.
 - Asegúrese de que las estrías en la unidad de conexión estén alineadas correctamente con los rebajes en la cabeza de la unidad.
2. Mueva la palanca a la posición "BLOQUEO".
 - La entrada y la salida están abiertas.



Desmontaje del prefiltro

El prefiltro se debe retirarse para su limpieza, mantenimiento y para retirar la cabeza de la unidad.

Requisito previo: la palanca solo se puede mover cuando la unidad de conexión está desbloqueada.

Proceda de la forma siguiente:

G

1. Mueva la palanca a la posición "DESBLOQUEO". La entrada y la salida ya están cerradas.
2. Saque el prefiltro

Montaje del prefiltro

Requisito previo: la palanca solo se puede mover cuando la unidad de conexión está desbloqueada.

Proceda de la forma siguiente:

H

1. Coloque el prefiltro en la abertura y empujelo firmemente en la cabeza de la unidad todo lo que pueda.
 - Asegúrese de que las crestas en el prefiltro estén alineadas correctamente con los rebajes en la cabeza de la unidad.
2. Mueva la palanca a la posición "BLOQUEO".
 - El prefiltro está bloqueado

Desmontaje del cabezal de la unidad

El cabezal de la unidad se debe quitar para su limpieza, mantenimiento y cambiar el medio del filtro.

Requisito previo:

- El calefactor ha sido retirado. (→ Desmontaje del calentador P.46)
- La unidad de conexión ha sido retirada. (→ Desmontaje de la unidad de conexión P.46)
- El prefiltro ha sido retirada. (→ Desmontaje el prefiltro P.48)

Proceda de la forma siguiente:

I

1. Levante el asa.
2. Afloje las abrazaderas de sujeción tirando de la parte inferior de la abrazadera hacia usted y luego empujando la abrazadera hacia arriba.
3. Retire la cabeza de la unidad.

Montaje del cabezal de la unidad

Proceda de la forma siguiente:

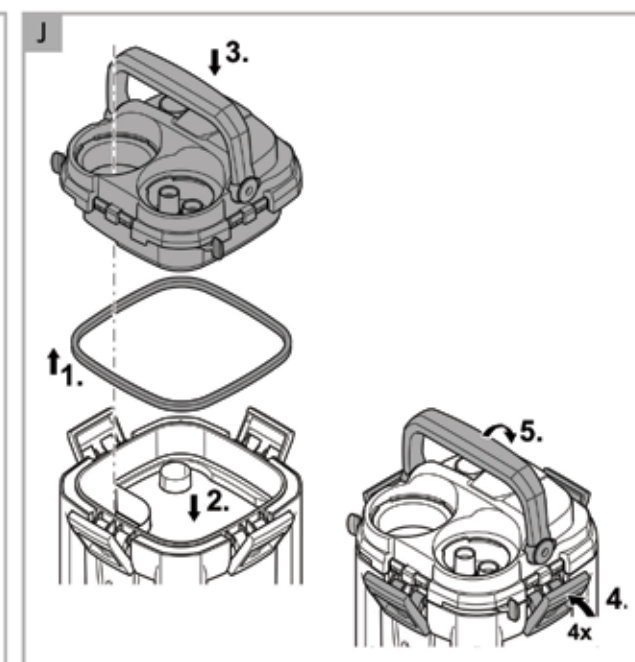
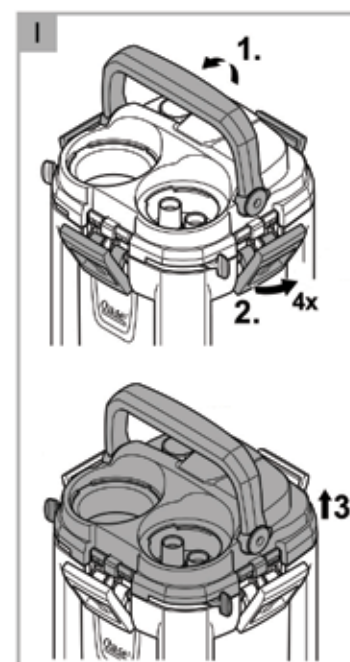
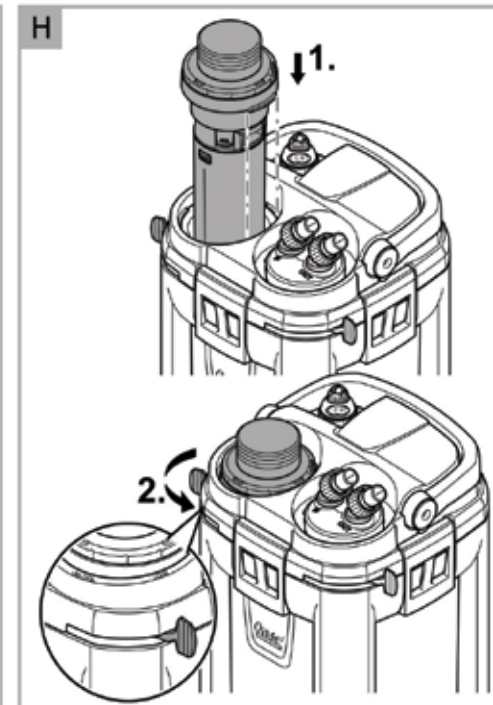
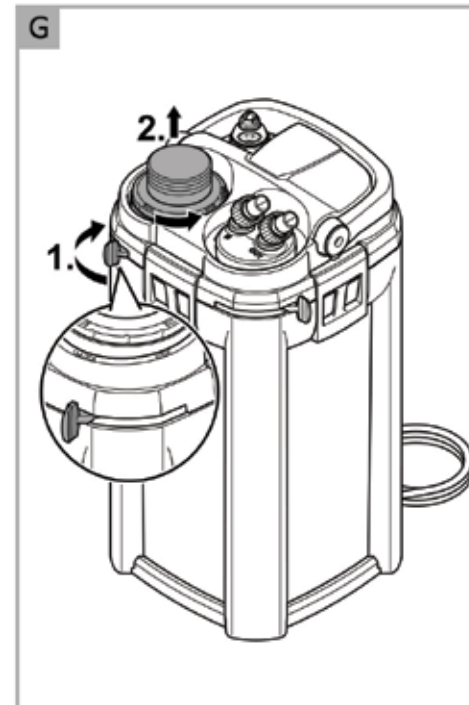
J

1. Verifique que el sello en la cabeza de la unidad esté posicionado correctamente.
 - Limpie la junta, sustitúyala si está dañada.
2. Asegúrese de que las crestas del filtro estén correctamente ensambladas y alineadas (→ Limpieza / reemplazo del medio filtrante P.68)
3. Coloque la cabeza de la unidad en la unidad de filtro
 - Asegúrese de que la abertura del prefiltro esté alineada con el hueco de las cestas del filtro.
4. Bloquee las abrazaderas de sujeción en su lugar.
5. Baje el asa.
6. Vuelva a colocar el calefactor. (→ Montaje del calentador P.46)
7. Vuelva a colocar el prefiltro. (→ Montaje del prefiltro P.48)
8. Vuelva a colocar la unidad de conexión (→ Montaje de la unidad de conexión de entrada y salida P.46)

EMPLAZAMIENTO Y CONEXIÓN

Secuencia de los trabajos a ejecutar:

1. Montar las patas de goma (→ Montar las patas de goma P.50)
2. Prepare el medio de filtro (→ Limpieza / reemplazo del medio de filtro P.57-58)
3. Como opción: Reequipamiento de calentamiento OASE (calentador) (→ Reequipamiento del calentador P.50)
4. Instale la unidad
 - Instale la unidad al lado o debajo del acuario. Tenga en cuenta la altura máxima de la cabeza. (→ Datos técnicos P.61)
5. Establecer las conexiones (→ Establecer las conexiones P.50)



EMPLAZAMIENTO Y CONEXIÓN

Montaje de los pies del equipo

Proceda de la forma siguiente:

K

- Enrosque los pies de goma en las aberturas en el fondo del recipiente.

Prepare el medio de filtro



INDICACIÓN

Enjuague minuciosamente todos los materiales de filtrado antes del primer uso con agua de grifo caliente para eliminar las posibles suciedades. (→ Limpieza/ sustitución del material de filtrado P.57-58)

Reequipamiento del calentador

Los modelos BioMaster 250/350/600/850 no Thermo se puede ampliar posteriormente con HeatUp de OASE.

- Para el adaptador se necesita un anillo de paso (contenido en el suministro).

BioMaster	250	350	600	850
HeatUp 25	-	-	-	-
HeatUp 50	○	○	○	○
HeatUp 100	○	○	○	○
HeatUp 150	●	○	○	○
HeatUp 200	-	●	○	○
HeatUp 300	-	-	●	○
HeatUp 400	-	-	-	●

○: Apropiado

●: Especialmente recomendado

Condición: La unidad de filtro está desenchufada. (→ Desconexión del equipo P.54)



INDICACIÓN

Cuando el filtro está lleno con agua, el agua puede purgar cuando se introduce el calentador en el agua.

- Tome medidas para coleccionar el agua purgada.

Proceda de la forma siguiente:

L

1. Gire el tapón en sentido contrario a las agujas del reloj y retírelo.
2. Humedezca el calentador con agua y empuje suavemente el calentador en el adaptador HeatUp todo lo que pueda.
3. Coloque el calentador en la unidad de filtro. (→ Montaje del calentador P.46)

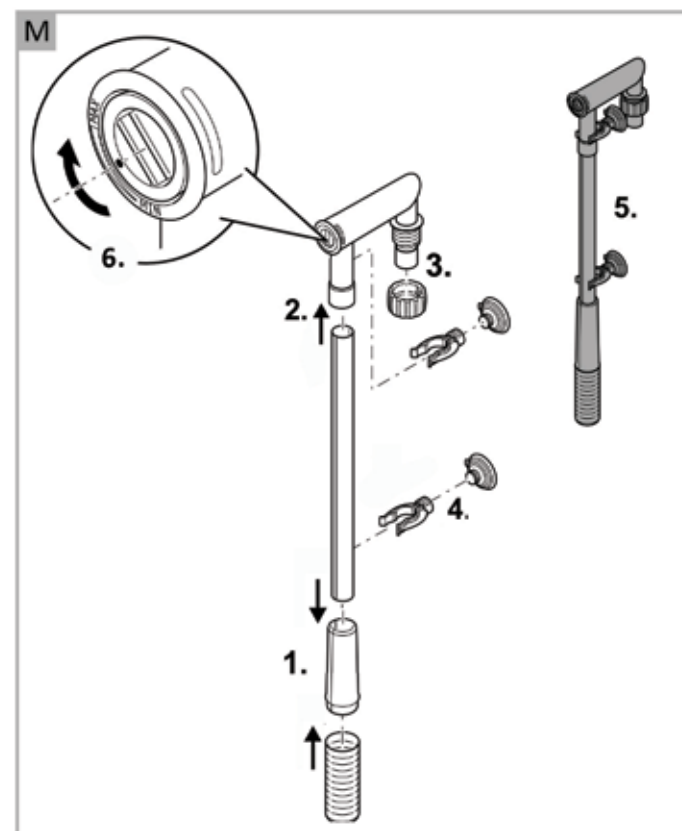
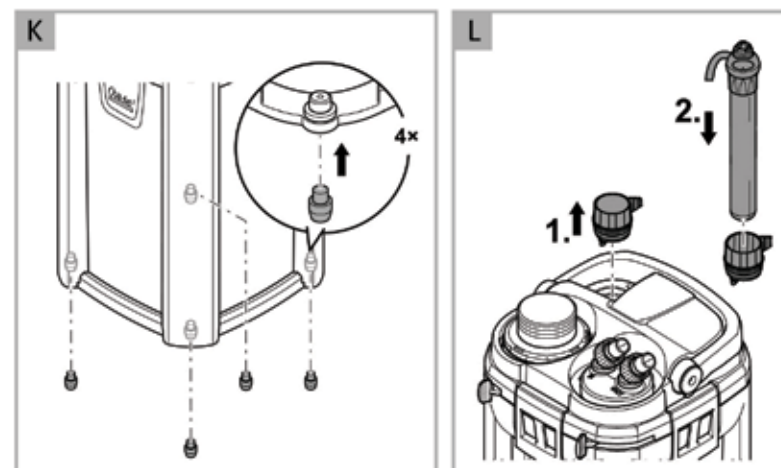
Establecer las conexiones

Montaje de la unidad de entrada

Proceda de la forma siguiente:

M

- Montaje de la unidad de entrada
 1. Instale el conjunto de entrada conectando el colador de entrada, el adaptador y el tubo de entrada
 2. Fije las piezas ensambladas al adaptador de entrada ajustable
 3. Atornille la tuerca racor en el adaptador de entrada ajustable
 4. Conecte los clips a las ventosas. Estos se utilizarán para fijar el conjunto de entrada al tanque.
 5. Coloque los clips en el tubo de entrada y el adaptador de entrada ajustable como se muestra.
 6. Use una moneda o un destornillador de punta plana para girar el regulador de flujo en el adaptador de entrada a MAX.

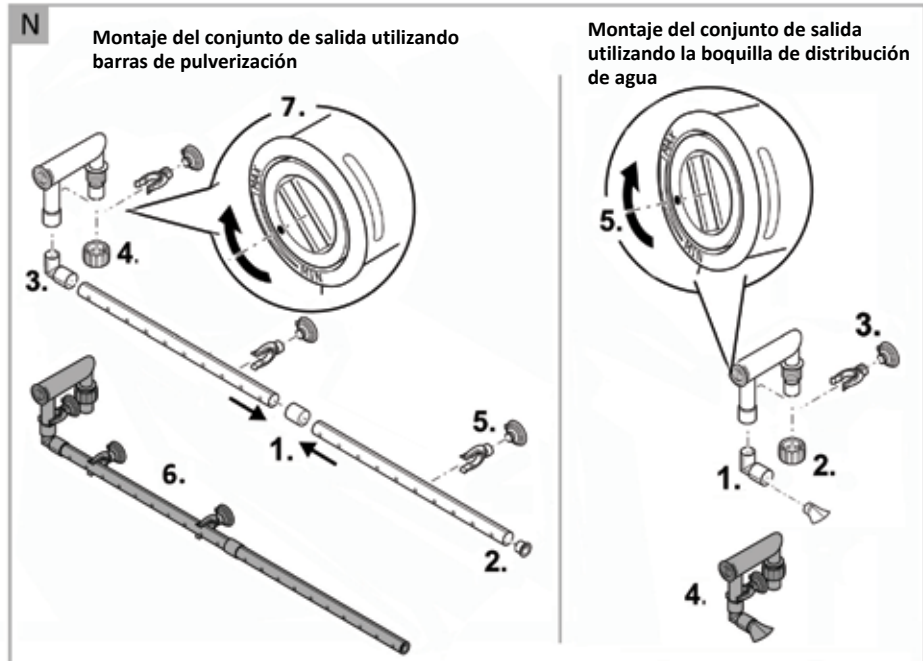


Montaje de la unidad de salida

El ensamblaje de salida puede instalarse con las barras de pulverización o con el distribuidor de agua.

Proceda de la forma siguiente:

- N
- Montaje del conjunto de salida utilizando barras de pulverización
 1. Conecte las dos barras de pulverización a través de la pieza de conexión
 2. Selle el conjunto de la barra de pulverización con la tapa
 3. Fije las barras de pulverización al adaptador de salida ajustable a través del codo
 4. Atornille la tuerca racor en el adaptador de salida ajustable
 5. Conecte los clips a las ventosas. Estos se utilizarán para conectar el conjunto de salida al tanque.
 6. Coloque los clips en las barras de pulverización y el adaptador de salida ajustable como se muestra.
 7. Use una moneda o un destornillador de punta plana para girar el regulador de flujo en el adaptador de salida a MAX.
 - Montaje del conjunto de salida utilizando la boquilla de distribución de agua
 1. Conecte la boquilla del distribuidor de agua al adaptador de salida ajustable a través del codo
 2. Atornille la tuerca racor en el adaptador de salida ajustable
 3. Conecte el clip a la ventosa. Esto se utilizará para fijar el conjunto de salida al tanque.
 4. Coloque los clips en el adaptador de salida ajustable como se muestra.
 5. Use una moneda o un destornillador de punta plana para girar el regulador de flujo en el adaptador de salida a MAX.



Conexión de la manguera

El modo de proceder es idéntico para la entrada (IN) y para la salida (OUT).

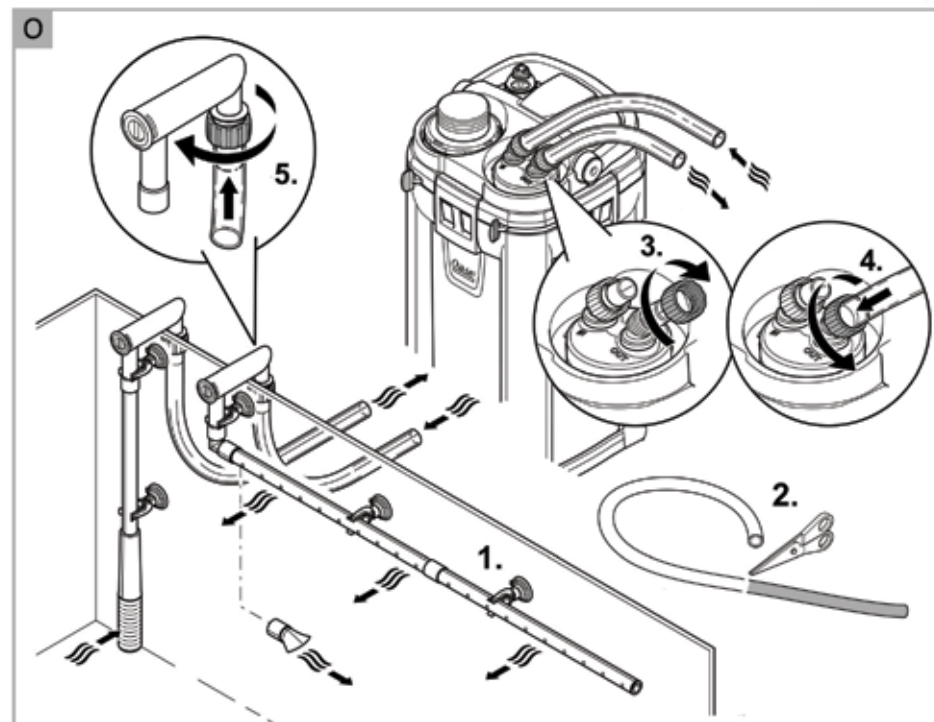
Requisito previo: Instale la unidad. Instale la unidad al lado o debajo del acuario. Tenga en cuenta la altura máxima de la cabeza. (→ Datos técnicos p. 61)

Proceda de la forma siguiente:

- O
1. Fije el ensamblaje de entrada y el ensamblaje de salida en el acuario con ventosas.
 2. Acorte el tubo a la longitud requerida.
 - Elija la longitud para que el tubo no pueda retorcerse en la posición de instalación deseada.
 3. Atornille la tuerca racor en la unidad de conexión de entrada y salida en la cabeza de la unidad.
 4. Empuje el tubo en la unidad de conexión y gire la tuerca racor en el sentido contrario a las agujas del reloj para fijar el tubo en su lugar.
 5. Empuje el otro extremo del tubo en el adaptador de entrada / salida del conjunto de entrada / salida y gire la tuerca de seguridad del tubo hacia la izquierda para fijar el tubo en su lugar.

PUESTA EN MARCHA

El sistema de filtrado se tiene que desairear a la primera puesta en marcha o después de una limpieza completa. La bomba puede transportar automáticamente el agua por el sistema de filtrado cuando el recipiente, la unidad de aspiración y la manguera están exentos de inclusiones de aire. (→ Desaireación del sistema de filtrado P.54)



PUESTA EN MARCHA

Desaireación del sistema de filtrado

Condición: La unidad de filtro está desenchufada. (→ Desconexión del equipo P.54)

Proceda de la forma siguiente:

- P
- Presione el botón de aspiración y suéltelo hasta que el agua fluya del depósito al filtro.
 - El filtro está completamente inundado cuando el agua sale a través de la unidad de descarga.

Conexión del equipo



INDICACIÓN

La bomba no debe marchar en seco.

La bomba se destruye.

- Controle regularmente el nivel de agua y la circulación en el filtro y en el acuario.



INDICACIÓN

Peligro de incendio por la superficie caliente del calentador. El calentador y el filtro se destruyen debido al calor excesivo de la superficie.

- Conecte el calentador sólo cuando el filtro esté completamente lleno de agua, conectado y el agua circule continuamente.
- Desconecte primero el calentador, déjelo enfriar y sáquelo después del agua.

Proceda de la forma siguiente:

- Q
- Tienda cada línea de conexión de red de forma que se forme un bucle de goteo.
 - Conecte el cable de conexión de alimentación a la fuente de alimentación.
 - La bomba se encenderá inmediatamente.
 - El aire atrapado en el filtro puede causar ruido. El aire atrapado se escapa poco después de que la bomba arranca.
 - Unidad con calentador:** fije la temperatura del agua en el calentador y enchufe el calentador. (→ manual de instrucciones del calentador)

Desconexión del equipo

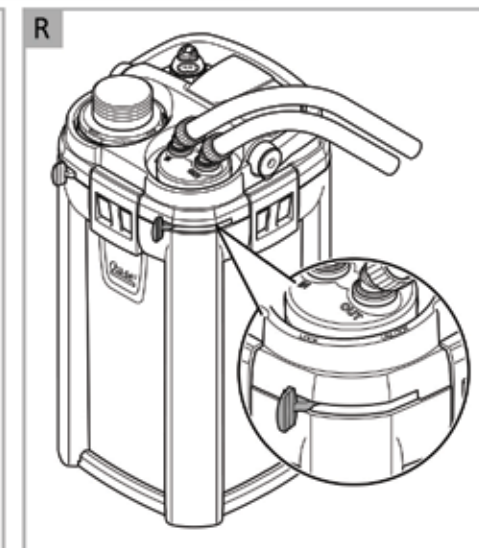
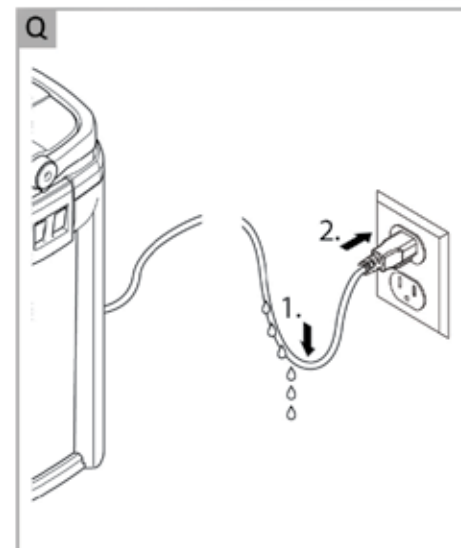
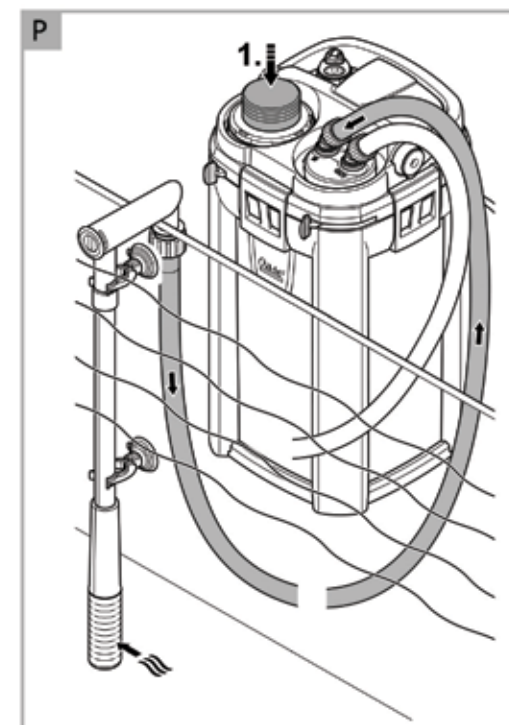
Proceda de la forma siguiente:

- Desconecte la unidad de la fuente de alimentación.
- Unidad con calentador:** Desconecte la unidad y el calentador de la fuente de alimentación

Ajuste del flujo

Proceda de la forma siguiente:

- R
- Desplace la palanca en la unidad de conexión para ajustar el flujo deseado.
 - "LOCK": Flujo máximo
 - "UNLOCK": Ningún flujo, la salida está cerrada.



ELIMINACIÓN DE FALLOS


Fallo	Causa	Acción correctora
El equipo no arranca	No hay tensión de alimentación	Comprobar la tensión de alimentación
	Unidad de rodadura bloqueada	Limpiar (→ P.59)
	Aire en el filtro	Desairear el filtro Si fuera necesario, mueva el filtro de un lado al otro para que el aire restante pueda purgar mejor.
Flujo de agua insuficiente	Unidad de rodadura sucia	Limpiar (→ P.59)
	Unidad de rodadura desgastada	Sustituir la unidad de rodadura (→P.59)
	Flujo no correctamente ajustado	Corregir el ajuste (→ P.54)
	Espuma filtrante del prefiltro sucia	Limpiar (→P.58)
	Material de filtrado en el recipiente sucio	Limpiar (→ P.58)
	Cesta de aspiración obstruida	Limpiar
	Sistema de tuberías sucio	limpia conjunto de entrada y salida y tubería
Efecto de filtrado insuficiente	Espuma filtrante del prefiltro sucia	Limpiar (→ P.57)
	Espuma filtrante del prefiltro desgastada	Sustituir (→ P.57)
	Material de filtrado en el recipiente sucio	Limpiar (→ P.58)
	Material de filtrado en el recipiente desgastado	Sustituir (→ P.58)
Calentamiento del agua insuficiente (sólo equipos con calentador)	Calentador defectuoso	Sustituir
	Calentador no calibrado	Calibrar
	Temperatura del agua en el calentador mal ajustada	Corregir la temperatura del agua en el calentador
	Flujo de agua insuficiente	Véase el fallo "Flujo de agua insuficiente"
El filtro no se puede desairear	Carcasa de la válvula en el prefiltro obstruida	Limpiar la carcasa de la válvula (→ P.59)
	El filtro no está por debajo de la línea del agua	Emplazar el filtro por debajo de la línea del agua
Muy alto ruido	Aire en el filtro	Mover el filtro de un lado al otro para que el aire restante pueda purgar mejor.

LIMPIEZA Y MANTENIMIENTO

- Si fuera necesario limpie el equipo con agua clara y un cepillo suave.
- No emplee productos de limpieza o soluciones químicas.
- Los ciclos de limpieza y de sustitución para los materiales de filtrado dependen del tamaño del acuario y la cantidad de peces. Por esta razón, la limpieza y la sustitución se deben realizar según necesidad para garantizar la plena eficacia filtrante.
- En caso que hayan varias esponjas filtrantes: No limpie ni sustituya todas las esponjas de filtrado al mismo tiempo. De esta forma se protegen las bacterias de filtrado útiles que garantizan la buena limpieza biológica del agua.

i INDICACIÓN
Enjuague minuciosamente todos los materiales de filtrado antes del primer uso con agua de grifo caliente para eliminar las posibles suciedades. (→ Limpieza/ sustitución del material de filtrado P.57-58)

Trabajos de limpieza y de mantenimiento:

Área	Trabajos a ejecutar
Espuma filtrante prefiltro	(→ Limpieza/ sustitución de la esponja filtrante en el prefiltro P.57)
Material de filtrado recipiente	(→ Limpieza/ sustitución del material de filtrado P.58)
Calentador	 HeatUp instruction manual 25/50/100/150/200/300/400
Unidad de rodadura, carcasa de la bomba	(→ Limpieza/ sustitución de la unidad de rodadura P.59)
Carcasa de la válvula prefiltro	(→ Limpieza de la carcasa de la válvula del prefiltro P.59)
Carcasa de aspiración prefiltro	(→ Limpieza de la carcasa de aspiración en el prefiltro P.60)

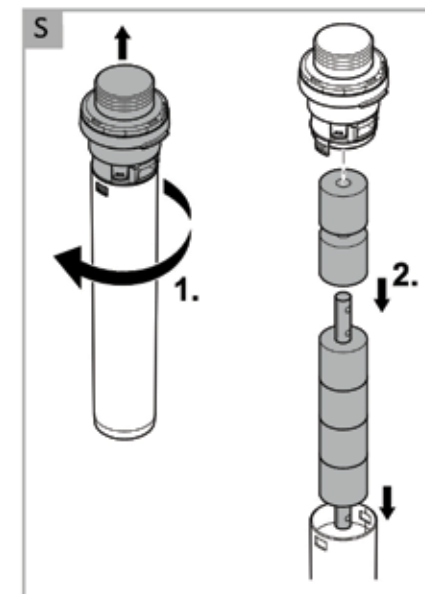
i INDICACIÓN
El ciclo para la limpieza de la esponja filtrante en el prefiltro se prolonga cuando se emplea una esponja filtrante más gruesa.

Limpieza/ sustitución de la esponja filtrante en el prefiltro

Requisito previo: El prefiltro ha sido Desmontaje. (→ Desmontaje del prefiltro P.48)

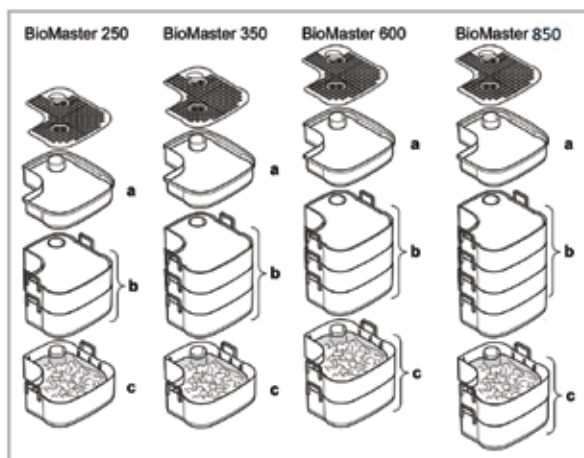
Proceda de la forma siguiente:

1. Gire la carcasa hasta que los ganchos de bloqueo entren en su lugar, luego retire la carcasa.
2. Retire el tubo de prefiltro y las espumas de filtro
 - BioMaster 250/BioMaster Thermo 250: 4 filtros de espuma
 - BioMaster 350/BioMaster Thermo 350: 5 filtros de espuma
 - BioMaster 600/BioMaster Thermo 600: 6 filtros de espuma
 - BioMaster 850/BioMaster Thermo 850: 6 filtros de espuma
3. Enjuague las espumas de filtro en agua tibia. Si es necesario, reemplace las espumas del filtro (→ PIEZAS DE DESGASTE P.60-61).
4. Arme el prefiltro en orden inverso.
 - Asegúrese de que los ganchos de bloqueo encajen en su lugar en la carcasa.



Materiales de filtrado al suministro:

a	España filtrante 30 ppi
b	España filtrante 20 ppi
c	Hel-X Biomedica, Coloque los bioelementos siempre con labolsa en la caja del filtro.

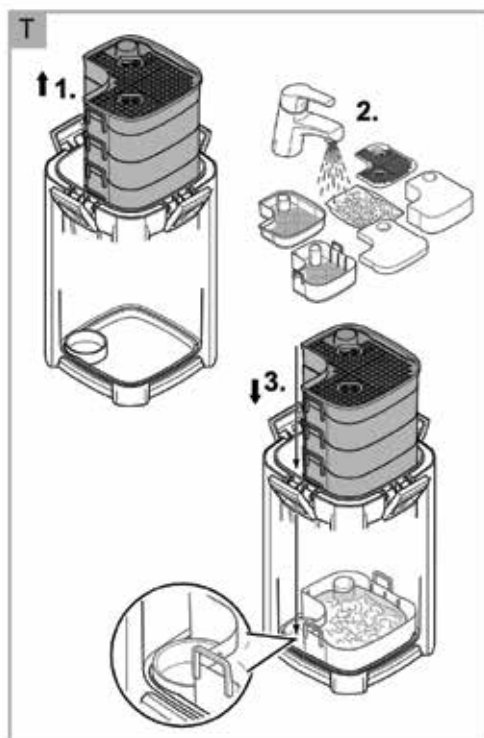


Limpieza/ sustitución del material de filtrado

Condición: La cabeza de la unidad se retira. (→ Desmontaje del cabezal de la unidad P.48)

Proceda de la forma siguiente:

1. Saque todos los cestos de filtro.
2. Limpie los cestos de filtro y el recipiente.
 - Usa agua para limpiar el medio filtrante.
 - Si es necesario, reemplace el medio filtrante. Enjuague el nuevo medio filtrante con agua tibia del grifo antes de su primer uso.
3. Con cuidado, vuelva a colocar las cestas del filtro en el hueco inferior de la unidad del filtro.
 - Asegúrese de que la cubierta del filtro esté colocada en el filtro de espuma en la cesta del filtro superior.
4. Vuelva a montar la unidad en el orden inverso. (→ ACCEDIENDO A LA UNIDAD P.46-48)

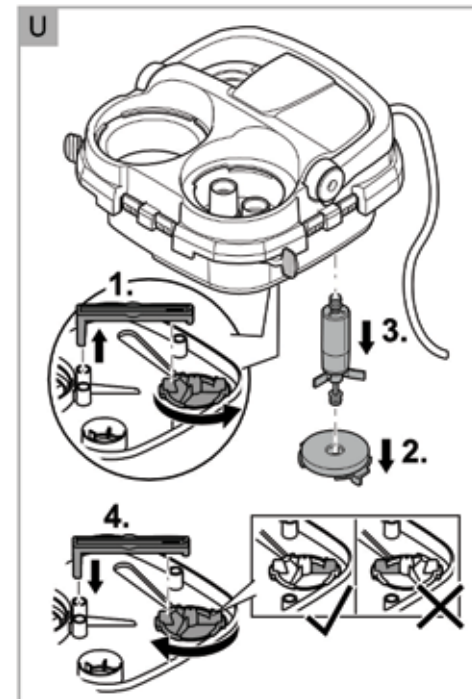


Limpieza/ sustitución de la unidad de rodadura

Requisito previo: la cabeza de la unidad se retira (→ Desmontaje de la cabeza de la unidad P.48)

Proceda de la forma siguiente:

1. Saque el elemento de ventilación.
2. Gire la tapa de la bomba en sentido antihorario (bloqueo de bayoneta) y retírela.
3. Retire la unidad del impulsor y limpie. Si es necesario, reemplazar.
4. Coloque la unidad del impulsor, coloque la tapa de la bomba y bloquee (gire en sentido horario).
 - Asegúrese de que los dos rodamientos de goma estén correctamente asentados.
5. Vuelva a montar la unidad en el orden inverso.



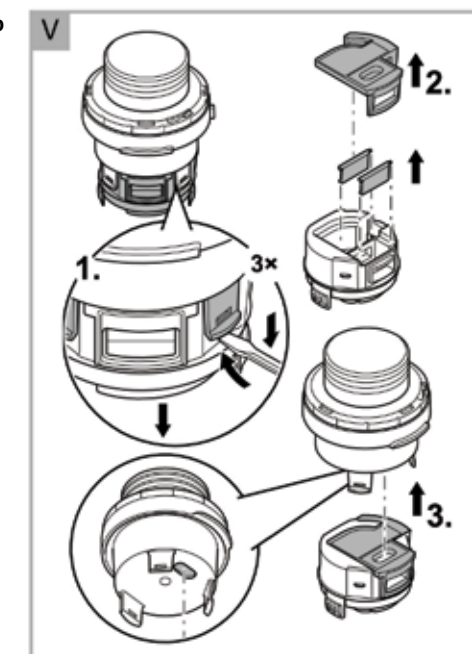
Limpieza de la carcasa de la válvula del prefiltro

La carcasa de la válvula se tiene que limpiar sólo cuando no funciona la desaireación a pesar de que las esponjas filtrantes del prefiltro fueron limpiadas anteriormente.

Requisito previo: El prefiltro ha sido eliminado. (→ Retirar el prefiltro P.48)

Proceda de la forma siguiente:

1. Deshacer los sujetadores y sacar la caja de la válvula.
 - Si es necesario, levante con cuidado los sujetadores con un destornillador.
2. Retire el sello de la válvula y las dos aletas de la válvula. Limpie todas las partes
3. Montaje la caja de válvulas en orden inverso.
 - Asegúrese de que las aletas de válvula ajustadas se puedan mover fácilmente.
 - Nota: Asegúrese de que la abertura en el sello de la válvula esté alineada con la abertura en la cámara de succión.



Limpeza de la carcasa de aspiración en el prefiltro

La carcasa de aspiración se tiene que limpiar sólo cuando no funciona la desaireación a pesar de que las esponjas filtrantes y la carcasa de la válvula del prefiltro fueron limpiadas anteriormente.

Requisito previo: El prefiltro ha sido eliminado. (→ Retirar el prefiltro P.48)



¡CUIDADO!

Resorte potente en la carcasa de aspiración que puede actuar como un proyectil.

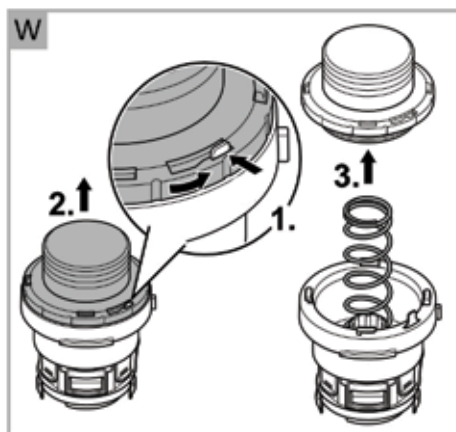
¡Peligro de lesión por la proyección de piezas.

- No dirija el botón de aspiración en dirección a las personas durante la abertura.
- Sujete bien el botón de aspiración.

Proceda de la forma siguiente:

○ W

1. Presione los ganchos de retención, sujételos y gire el anillo de cierre en sentido antihorario (cierre de bayoneta).
2. Desmonte cuidadosamente el botón de aspiración hasta que el resorte esté destensado.
3. Desmonte el botón de aspiración y el resorte.
4. Limpie la carcasa de aspiración.
5. Montaje la carcasa de aspiración en secuencia contraria.



PIEZAS DE DESGASTE

Los siguientes componentes son piezas de desgaste y no entran en la prestación de garantía:

- Material de filtrado
- Unidad de rodadura
- Ventosas

DESECHO



INDICACIÓN

Está prohibido desechar este equipo en la basura doméstica

- Inutilice el equipo cortando el cable y entréguelo al sistema de recogida previsto.

PIEZAS DE RECAMBIO

El equipo se mantiene seguro y trabaja de forma fiable con las piezas originales de OASE. Consulte los dibujos de piezas de recambio y las piezas de recambio en nuestra página web <https://www.oase-livingwater.com>

Esponja filtrante

Elija cualquier combinación de espumas de prefiltro de reemplazo para crear la mejor filtración para sus necesidades de acuario

Artículo No.	Descripción
49626	BioMaster 30 ppi Juego de espuma prefiltro
49560	BioMaster 45 ppi Juego de espuma prefiltro
49583	BioMaster 60 ppi Juego de espuma prefiltro
49744	BioMaster 45 ppi Juego de espuma de prefiltro de carbono

DATOS TÉCNICOS

Descripción		BioMaster, BioMaster Thermo				
		250	350	600	850	
Tensión de referencia	V	120	120	120	120	
Frecuencia de red	Hz	60	60	60	60	
Categoría de protección		IPX4	IPX4	IPX4	IPX4	
Consumo de potencia del filtro	W	15	16	23	25	
Consumo de potencia calentador (BioMaster Thermo models)	W	150	200	300	400	
Capacidad de transporte	máxima	l/h	900	1100	1250	1500
Altura de transporte	máxima	m	1.7	1.8	2	2.25
Volumen filtro	l	4.4	5.6	6.8	8	
Volumen prefiltro	l	0.4	0.5	0.6	0.6	
Recomendado para volumen de acuario	l	250	350	600	850	
Longitud de la línea de conexión de red	m	1.8	1.8	1.8	1.8	
Unidad de conexión de entrada / salida, se adapta a la tubería	diámetro interno	mm	16	16	16	16
Dimensiones	Longitud	mm	240	240	240	240
	Anchura	mm	240	240	240	240
	Altura	mm	370	425	480	535
Peso	kg	4.1	4.5	5	6	

SÍMBOLOS EN EL EQUIPO

IP X4	Protegido contra salpicaduras por todos los lados.
	Clase de protección II, aislamiento de protección que en caso de defecto puede conducir tensión.
	Emplear en interiores
	No desechar el equipo en la basura doméstica.
	Leer y tener en cuenta las instrucciones de uso

¿Preguntas, problemas, partes faltantes?

Antes de regresar con su vendedor, llame al 1-866-627-3435 de lunes a viernes, o envíenos un correo electrónico a customer care@oase-livingwater.com.



OASE North America INC. · www.oase-livingwater.com

55219/05-20