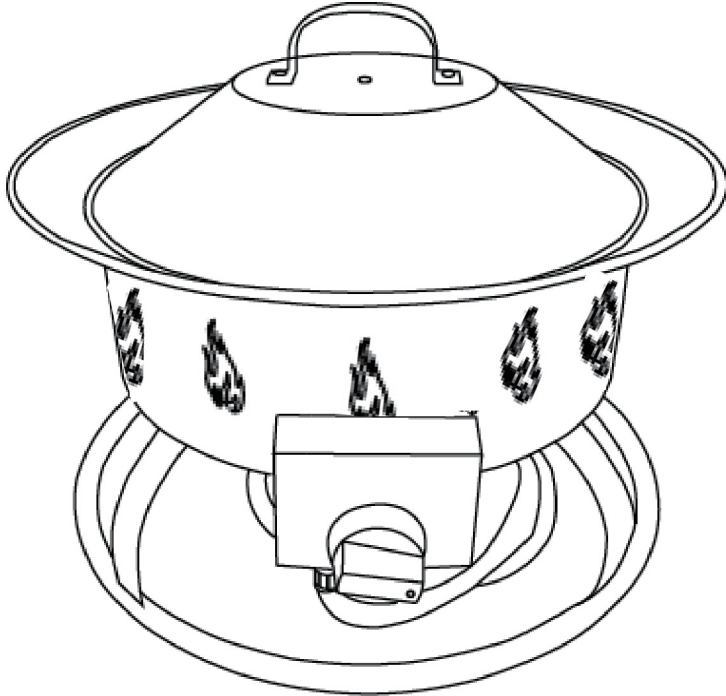




Owner's Manual

Gas Fire Bowl
Item# AFP-CMP-RND
AZPH-AS



! DANGER

If you smell gas:

1. Shut off gas to the appliance.
2. Extinguish any open flame.
3. If odor continues, keep away from the appliance and immediately call your gas supplier or fire department.

! WARNING

Do not store or use gasoline or other flammable vapors and liquids in the vicinity of this or any other appliance. A propane cylinder not connected for use should not be stored in the vicinity of this or any other appliance.

! WARNING

For outdoor use only.

! WARNING

Improper installation, adjustment, alteration, service or maintenance can cause injury or property damage. Read the owner's manual thoroughly before installing or servicing this equipment. If the information in this manual is not followed exactly, a fire or explosion may result causing property damage, personal injury or loss of life.

Save these instructions for future use. If you are assembling this unit for someone else, give this manual to him or her and read and save for the future.

INSTALLER/ASSEMBLER: Leave this manual with consumer.

CONSUMER: Keep this manual for future reference.

Distributor: AZ PATIO HEATERS LLC

8601 W. Jefferson St Suite 200, Tolleson, AZ 85353

ANS Z83.26-2014 • CSA 2.37-2014 Gas-Fired Outdoor Infrared Patio Heater

ATTACH YOUR RECEIPT HERE

Serial Number

Purchase Date

! DANGER



CARBON MONOXIDE HAZARD

This appliance can produce carbon monoxide which has no odor.

Using it in an enclosed space can kill you.

Never use this appliance in an enclosed space such as a camper, tent, car or home.



Questions, problems, missing parts? For small parts please call 1-888-775-1330 for assistance. 8 a.m. - 4 p.m., MST, Monday - Friday. For damaged product, you may have to return to the retailer.

SAFETY INFORMATION

Before you assemble or operate this unit, please carefully read this entire manual. Failure to do so may result in a fire, explosion, injury or death.

WARNING

- The installation of this unit must adhere to local codes or either the National Fuel Gas Code, ANSI Z223.1/NFPA54, OR CAN/CGA-B149.1, National Gas and Propane Installation Code.
- THIS UNIT IS INTENDED FOR OUTDOOR USE ONLY! This product should only be used outdoors in a ventilated space and should not be used in any enclosed area.
- Only use propane gas when operating this unit. This unit is not designed or compatible with other fuel sources.
- When igniting this unit, stay away from the burner as the flame will light up and may cause injury.
- LP GAS WARNING: Do not use any more than 1/4in depth lava rocks/pumice stones above the burner holes. Doing so will suffocate the flame.
- If you hear, and/or see gas leaking directly from the propane tank (leaks are also evident by smell)
 1. Do not attempt to fix the problem yourself. Do not use a flame to check for gas leaks.
 2. Contact your gas supplier or fire department for help.
- Too much propane (flooding) may result in the propane gas pooling not allowing it to burn. Ensure air flows freely through the unit so that any excess or remaining gas may escape.
- The max. inlet supply pressure: max. Gas supply 11in w.c. (2.74kPa)
- Use LP propane tanks with capacity 20 lbs.
- You must use a propane tank that has a collar to protect the gas valve.
- The tank system must be set up for vapor withdrawal.
- Discontinue use if any part of the propane tank is damaged. Rust and dents may be hazardous and should be inspected by a gas supplier.
- Do not burn anything other than the provided materials for this fire bowl.
- Keep away from the unit for the first 20 minutes after igniting your unit for the first time, as lava rocks/pumice stones could pop out and cause injury. Should any rocks pop out, discard them.
- Always ensure that lava rocks/pumice stones are completely dry before use. Failure to do so may cause them to crack or pop.
- Do not operate unit until all parts are fully assembled.
- Do not paint or color any part of this appliance.
- Unit is extremely hot while in use, do not attempt to move it while in use.
- Never leave this appliance unattended while in use.
- This unit is not intended for cooking.
- Keep any flammable items away and do not use any other fire bowl cover for this unit.
- Keep a safe distance away to avoid burning skin or clothing.
- Do not sit on, or rest hands or feet on this - appliance
- Never place hands or fingers on upper portion of this unit while in use.
- Keep fuel supply hose away from heated surfaces.

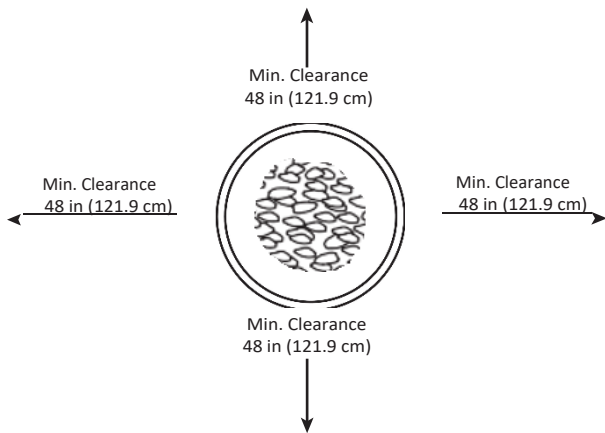
- Combustible material should not be within 72 inches of the top of the unit, or within 48 inches around the entire unit.
 - If the flame goes out while burning, turn the gas valve off. Wait 5 minutes before repeating the initial lighting procedure.
 - Do not add water into the unit.
 - Do not operate unit if any part has been under water.
 - Do not disconnect any part while unit is in use.
 - Do not store a spare propane tank on or near this unit.
 - If the appliance is being stored indoors, detach the propane tank and leave outdoors.
 - Always remove protective cover before operating the unit.
 - Do not set the protective cover over the unit until it is turned off and completely cooled down.
 - Check for leaks after not using the unit for long periods of time.
 - **Children should never operate this unit. Children must be supervised while near this unit.**
 - Keep gas tank at least 5 feet away from unit when lit. (if external tank)
 - The maximum gas supply pressure is 250psi.
-
- Inspect all elements of this heating unit before each use. If there is damage, the burner must be replaced.
 - Keep the hose out from any pathways to eliminate any accidental damage. (if external tank)
 - Be aware of the hazards of high temperatures and stay away from the unit to avoid any burns or injury.
 - The gas supply tank should be constructed and marked with the specifications for the LP gas tanks
 - The LP gas tank must have a listed overfilling prevention device and a QCCI or Type I, (CGA810) LP gas tank connection.
 - This appliance should not be used on plastic or artificial wood desks.
 - **Children and adults should be alerted to the hazards of high surface temperatures and should stay away to avoid burns or clothing ignition.**
 - **Clothing or other flammable materials should not be hung from the appliance or placed on or near the appliance.**
 - **Any guard or other protective device removed for servicing the appliance shall be replaced prior to operating the appliance.**
 - **Installation and repair should be done by a qualified service person. The appliance should be inspected before use and at least annually by a qualified service person. More frequent cleaning may be required as necessary. It is imperative that the control compartment, burners and circulating airways of the appliance are kept clean.**
 - Allow heating item to cool completely before placing on lid.
 - DO NOT use appliance while lid is installed. Always remove the lid while heating item is in use.

SAFETY INFORMATION

Only use the regulator and hose assembly provided with this unit. Replacement parts must be supplied directly by the Manufacturer.

Inspect the burner before each use of this unit. If the burner shows any kind of damage, do not operate the appliance. For assistance with repair or replacement of the burner or any other parts, please call the manufacturer.

NOTE: You must follow all steps to properly assemble this heating item. Make sure the gas valve is turned "OFF" before assembling. Do NOT attempt to assemble without proper tools.



Combustible materials should not be within 72 inches of the top of the unit, or within 48 inches around the entire unit.

HARDWARE



AA



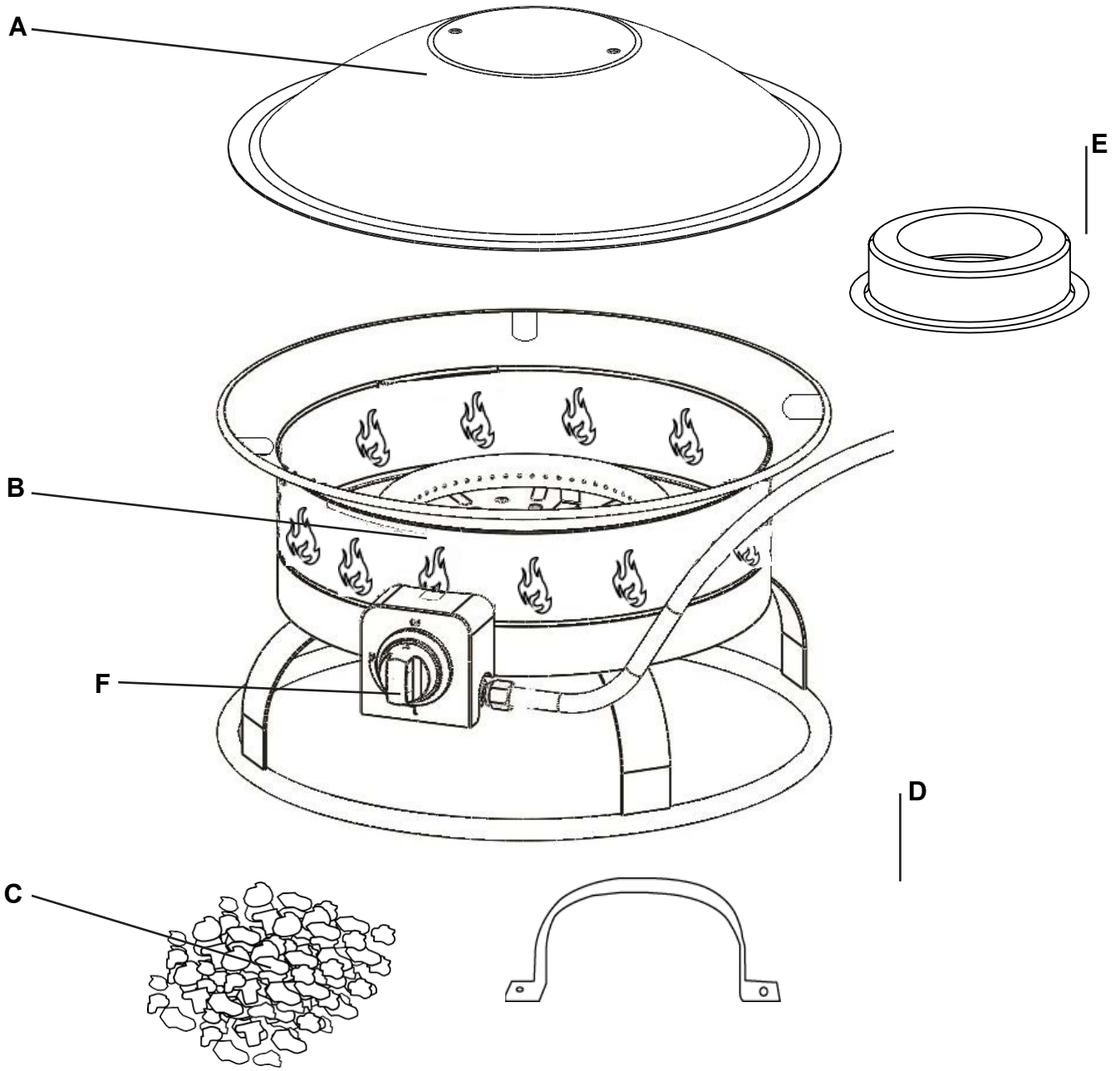
BB



CC

Item	Description	Qty
AA	Screw	2
BB	Flat Washer	2
CC	M6 Nut	2

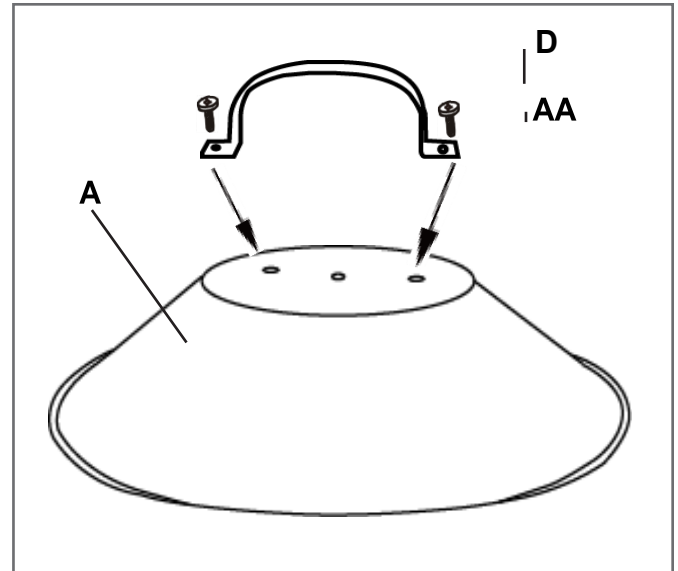
CONTENTS



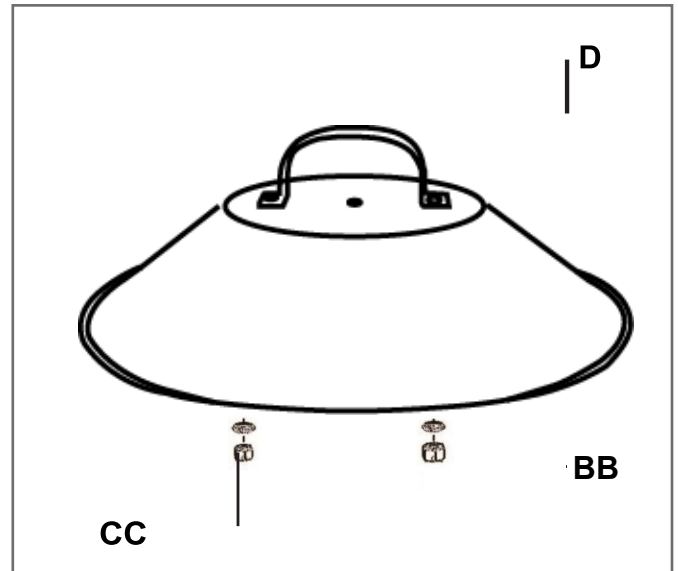
Item	Description	Qty
A	Lid	1
B	Body	1
C	Pumice Stones	1 box
D	Handle	1
E	Tank Holder	1
F	Control Knob (preassembled)	1

ASSEMBLY INSTRUCTIONS

1. Place 2 Screw(AA) onto threaded part of handle (D). Insert handle (D) into holes on top of the lid (A).



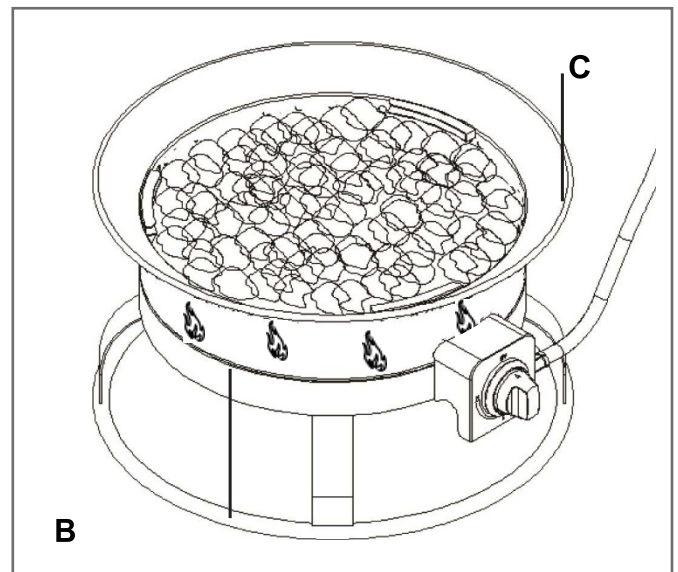
2. From the underside of the lid (A), place 2 pcs washers (BB) onto threaded part of the handle (D). Secure with 2 M6 nuts (CC), tightening with wrench (E).



3. Place pumice stones (C) into body (B).

CAUTION

To ensure proper function, the screen on this burner should be free of pumice stones at all times.

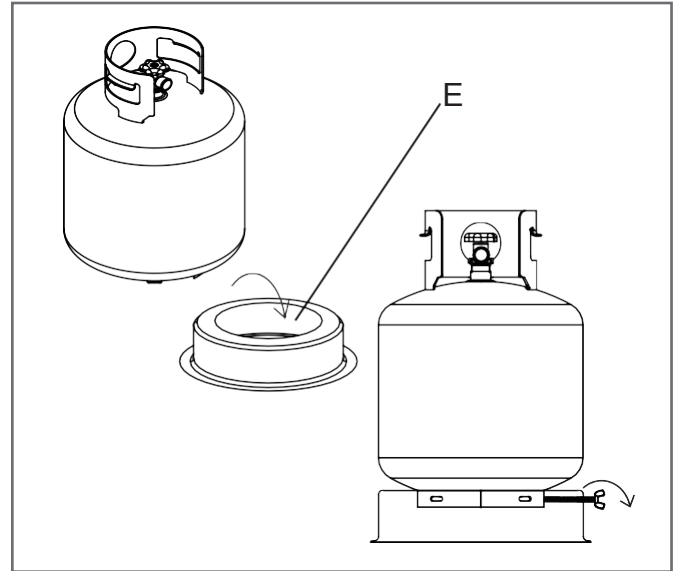


ASSEMBLY INSTRUCTIONS

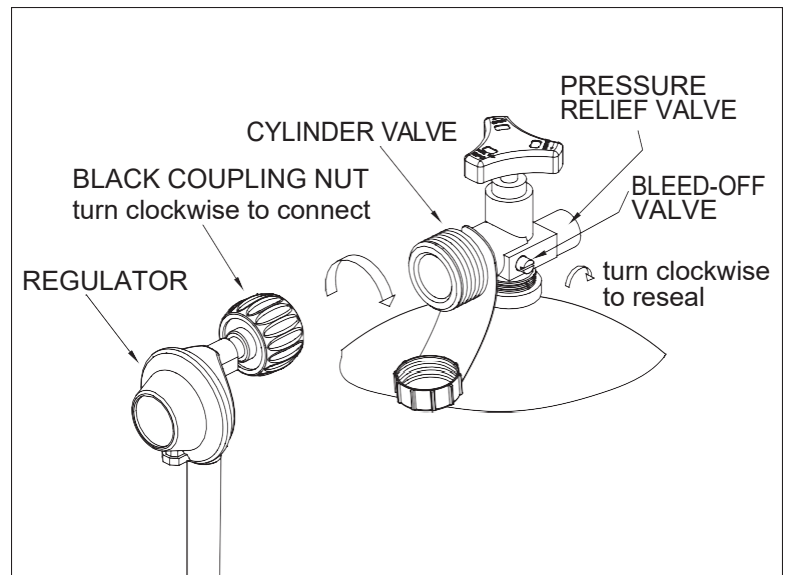
4. Put the 20 lb. propane gas tank (not included) into the tank holder (E). Turn the wing screw on the outside of the tank holder (E) clockwise to tighten the tank into the tank holder.

! DANGER

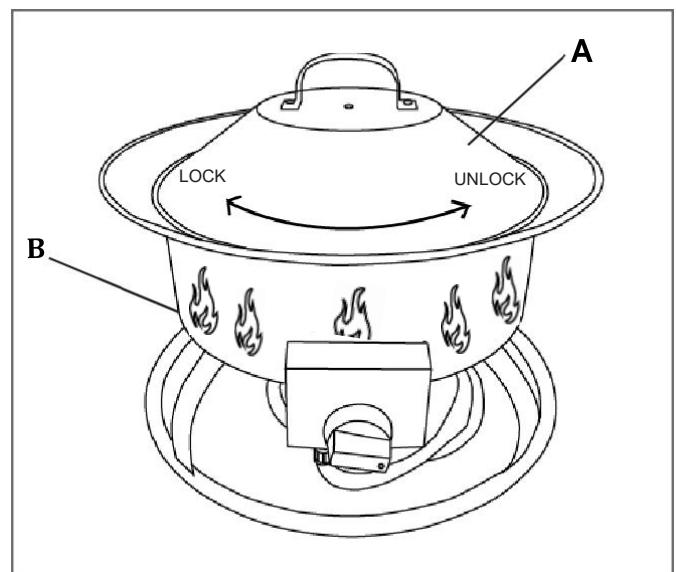
Propane tank must be a minimum of 60 inches away at all times.



5. Turn the cylinder valve on the tank clockwise to close the propane tank. Attach the preassembled regulator from the hose to the cylinder valve by turning the regulator coupling nut clockwise. Make sure it is fastened securely and tighten connections by hand only.



6. Cover body (B) with lid (A). To lock lid (A) in place, turn clockwise. To unlock, turn counterclockwise.



OPERATION

Before performing a leak test, be sure that no sparks can occur, and you are in a spacious outdoor area. Connect the propane gas tank to the regulator and turn the valve on the unit to the “off” position. Brush a soap and water mixture on all connections. Turn the gas supply on; if bubbles occur on any connection there may be a leak. **If you smell gas or a leak is discovered turn the gas valve off, disconnect propane gas tank and do not use the appliance until the leak is repaired.**

Do not use the heating unit without inspecting the gas hose. If there are signs of wear or abrasion you must replace the hose. Pumice stones/lava rocks could pop up and strike during the process of lighting this unit; stand away from the unit for the first 20 minutes after igniting. Flame height should be a yellow/blue color between 2 - 10 inches in height.

Wait 30 minutes after extinguishing flame prior to placing a lid (if applicable) or protective cover on heating item.

Lighting

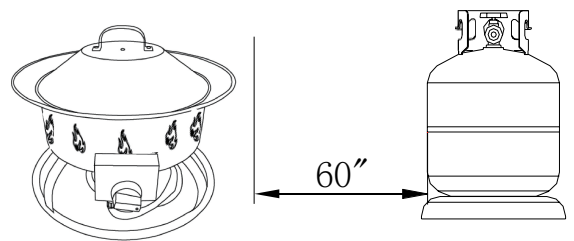
1. Be sure to remove the lid before lighting the fire bowl.
2. To light the fire bowl, push and turn the control knob (F) on the side of the body (B) counterclockwise to ignite the piezo ignition. It may take several attempts to light the ignition.
3. To adjust the flame, turn the control knob (F) either clockwise or counterclockwise depending on whether you want to lower or raise the flame.

Extinguishing

1. Push and turn the control knob (F) clockwise to extinguish the flame.
2. After the fire bowl has completely cooled, lock lid in place by turning it clockwise.

WARNING

Fire product and propane gas cylinder minimum distance must be over 60 inches (as per right side photo)



MAINTENANCE

- Before performing any maintenance always disconnect the propane gas tank.
- Keep the appliance free and clear from combustible materials.
- Visually inspect burner for obstructions and keep tank enclosure free and clear from debris.
- Use a soft brush to get rid of the mild stains, loose dirt and soil after the burner and pumice stones/ lava rocks are completely cooled down. Wipe down with a soft cloth.
- Harsh weather conditions may cause stubborn stains, discoloration and possibly rust pitting.
- Permanent damage may occur if powder or solvent comes in contact with painted or plastic components on this heating unit.
- Keep the heating unit stored away from direct sunlight.
- If storing this unit inside, disconnect the propane gas tank from the gas valve.
- Not using manufacturer approved or supplied parts/accessories may result in a defective condition and void the warranty of this heating unit.
- Always place lid or protective cover on heating item when not in use.

TROUBLESHOOTING

If you have any questions regarding the product, please call customer service at **1-888-775-1330**, 8 a.m. - 4 p.m. (MST), Monday - Friday.

	Cause	Solution
Fire bowl won't light	Igniter pin and burner are wet	Dry off with a soft cloth
	Igniter pin is broken	Contact Manufacturing for a replacement part
	Electrode wire is loose or disconnected	Reconnect wire to the igniter box located inside the table behind the igniter box
	Electrode wire is shorting between valve and igniter pin	Contact Manufacturing for a replacement part
Burner won't light while using a match	No gas flow	Check that the gas tank isn't empty
	Regulator isn't connected securely to the tank	Tighten regulator connection to the gas tank
	Gas flow is obstructed	Check all hoses for kinks and bends
	Burner ports are clogged	Turn all gas flow connections off. Insert an opened paperclip (or similar item) into each of the burner ports to clear them out.
Heating unit emits a lot of black smoke	Flame is obstructed at burner ports	Check that all burner ports are free of any small lava rocks/pumice stones pieces
	Regulator hose is kinked	Straighten hose of all bends or kinks
Sudden drop in gas flow	No gas flow	Check that the gas tank isn't empty
	Excess flow safety valve has been activated	Turn the control knob to the 'off' position. Close the tank valve and disconnect propane gas tank. Turn the control knob to 'high'; wait 1 minute. Turn the control knob back to the 'off' position. Reconnect propane gas tank. Light the fire unit as indicated in the 'To Light' section of this manual.
Flame blows out easily	High or gusting winds	Increase flame to 'high'
	No gas flow	Check that the gas tank isn't empty
	Excess flow safety valve has been activated	See 'sudden drop in gas flow' above

WARRANTY

The manufacturer's warranty will be voided by, and manufacturer disclaims any responsibility for, the following actions:

- Modification of the unit and/or components including the gas valve assembly.
- Use of any component part not manufactured or approved by the Manufacturer.
- Use and installation other than what is listed in this manual.

ONE-YEAR LIMITED WARRANTY

CUSTOMERS IN USA

For small parts please call 1-888-775-1330 for assistance. For damaged product, you may have to return to the retailer.

CUSTOMERS IN CANADA

Only return this product to the store if it was purchased within 90 days. If you have problems after 90 days of purchase, please CALL 1-888-775-1330. DATED PROOF OF PURCHASE REQUIRED FOR WARRANTY SERVICE.

AZ Patio Heater, LLC ("Vendor") warrants to the original retail purchaser of this heater to no other person, that if this heater is assembled and operated in accordance with the printed instructions accompanying it, then for a period of one year from the date of purchase, all parts in such heater shall be free from defects in manufacturing and workmanship. Vendor may require reasonable

proof of your date of purchase from an authorized retailer or distributor. Therefore, you should retain your sales slip or invoice. This limited Warranty shall be limited to the repair or replacement of parts, which prove defective under normal use and service and which the vendor shall determine in its reasonable discretion upon examination to be defective. Before returning any parts, you should contact Vendor's customer service department using the contact information listed below. If Vendor confirms, after examination a defect covered by this limited warranty in any returned part, and if Vendor approves the claim, Vendor will replace such defective part without charge. If you return defective parts, Transportation charges must be prepaid by you. Vendor will return replacement parts to the original retail purchaser, Freight or postage prepaid.

The limited Warranty does not cover any failures or operating difficulties due to accident, abuse, misuse, alteration, misapplication, improper installation or improper maintenance or service by you or third party. The failure to perform normal and routine maintenance on the product, shipping, damage, abnormal adjustment to the burner, damage or repairs related to insects, birds, or animals of any kind, and damage due to weather conditions as set out in this owner's manual. In addition, the Limited Warranty does not cover damage to the finish such as scratches, dents, discoloration, rust or weather damage, after purchase. Please protect your investment.

The limited Warranty is in lieu of all other warranties offered by any retail company. Vendor disclaims all warranties for products that are purchased from sellers other than authorized retailers or distributors. AFTER THE PERIOD OF THE 1 YEAR WARRANTY, VENDOR DISCLAIMS ANY AND IMPLIED WARRANTIES, INCLUDING WITHOUT LIMITATION THE IMPLIED WARRANTIES OF MERCHANTABILITY AND FITNESS FOR A PARTICULAR PURPOSE. FURTHER, VENDOR SHALL HAVE NO LIABILITY WHATSOEVER TO PURCHASER OR ANY THIRD PARTY FOR ANY SPECIAL,

INDIRECT, PUNITIVE, INCIDENTAL, OR CONSEQUENTIAL DAMAGES. Vendor assumes no responsibility for any defects caused by third parties. This limited warranty gives the purchaser specific legal rights; a purchaser may have other rights depending upon where he or she lives. Some jurisdictions do not allow the exclusion or limitation of special, incidental or consequential damages, or limitations on how long a warranty lasts, so the above exclusion and limitations may not apply to you.

Vendor does not authorize any person or company to assume for it any other obligation or liability in connection with the sale, installation, use, removal, return, or replacement of its equipment, and no such representations are binding on vendor.

For warranty service, please contact warranty@azpatioheaters.com or call us toll free at 888-775-1330.

Distributed by:

AZ Patio Heaters, LLC

Toll Free Number **1-888-775-1330**

Sales Service and Repair



www.azpatioheaters.com