



3M MARKET UMBRELLA ASSEMBLY INSTRUCTIONS

Please read these instructions carefully before attempting to assemble and use this product. Please retain these instructions for future reference.

Warning!

Umbrella ribs may compress during shipping. Read these instructions before opening your umbrella to avoid causing permanent damage !

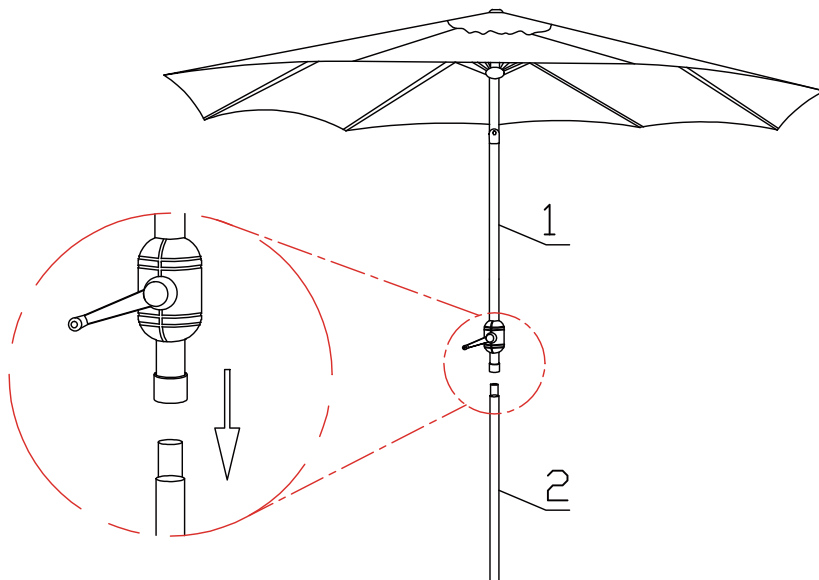
1. Before opening the umbrella ,turn it upside down and shake gently to separate the ribs into their natural open position.
2. Keeping the umbrella upside down,slowly crank the handle taking up the slack in the cord.
3. Carefully turn the umbrella upright and secure in your umbrella base shown in Step 3.

Part no.	Part	Qty (Pcs)	Part no.	Part	Qty (Pcs)
①		1	②		1

Ensure that have all required parts before beginning assembly.

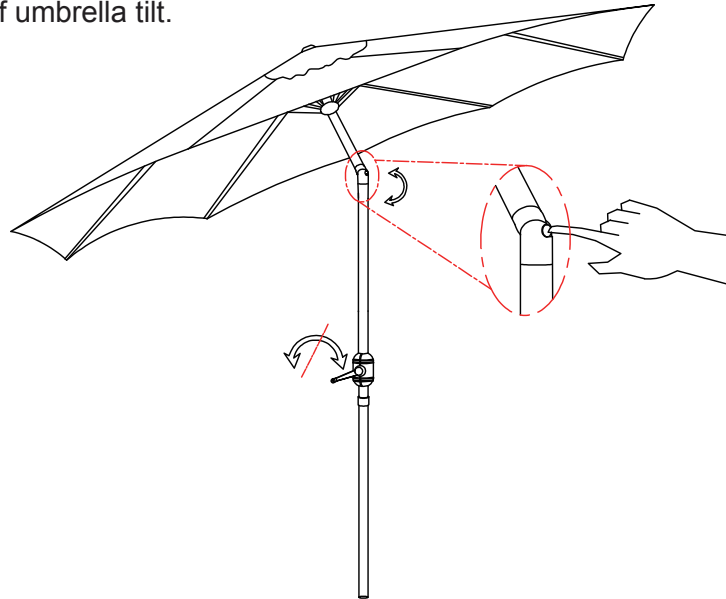
Step 1 .

Push support pole fully into the lock position behind the spring-loaded clip as shown.



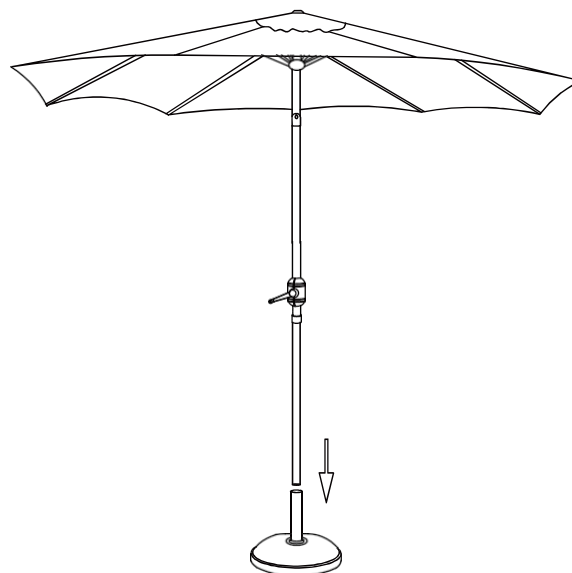
Step 2 .

Crank clockwise to open the umbrella.
Press button to adjust angle of umbrella tilt.



Step 3

Always use with a umbrella base.(not included)



Cleaning!

Wipe clean using a moist cloth and mild detergent.
Do not use abrasive materials or cleaners.

Maintenance!

The best way to maintain the umbrella is to store in a dry area out of the elements, or cover with commercially available furniture covers when not in use .

Safety & Usage!

Read and follow the assembly instructions carefully .

If you are using a umbrella with a table ,make sure the plastic umbrella ring is inserted in to the hole in the centre of the table .

Place the umbrella through the opening and into an appropriate umbrella base .

This umbrella is only showerproof and should not be left up in the heavy rain.

Do not leave the umbrella up in adverse weather conditions (windy weather) .

CAUTION!

Never use a umbrella without using an appropriate umbrella base.

Always remove the umbrella from the table when not in use .

Never use a umbrella in windy or stormy weather .