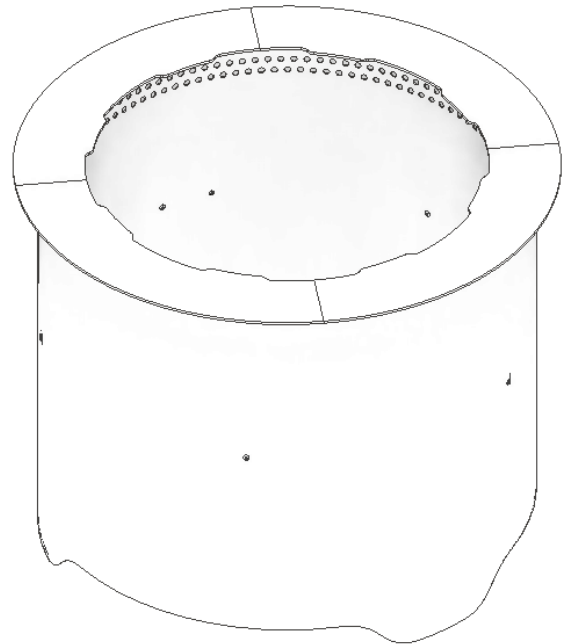


Owner's Instruction and Operation Manual



Model Number:
USSLP21 & USSLP31

**PATENT
PENDING**



* All Pictures In This Manual Are For Illustrative Purposes Only. Actual Product May Vary.

853924-0203L

Save These Instructions In A Safe Place For Future Reference.



SAFETY NOTICE: If this fire pit is not properly used, a house or forest fire may result. For your safety, follow the installation instructions. Contact local building or fire officials about permits, restrictions and installation requirements in your area. **NEVER OPERATE THIS PRODUCT WHILE UNATTENDED.**



CAUTION! Please read this entire manual before you use your fire pit. Failure to follow instructions may result in property damage, bodily injury, or even death. Improper Use Will Void Your Warranty!



CALIFORNIA PROPOSITION 65 WARNING:

This product can expose you to chemicals including carbon monoxide, which is known to the State of California to cause cancer, birth defects, and/or other reproductive harm. For more information, go to www.P65warnings.ca.gov

THIS MANUAL IS SUBJECT TO CHANGE WITHOUT NOTICE.

SAFETY NOTICE

OPERATING SAFETY PRECAUTIONS

- **HOT WHILE IN OPERATION. KEEP CHILDREN, CLOTHING, AND FURNITURE AWAY. CONTACT MAY CAUSE SKIN BURNS. DO NOT TOUCH THE APPLIANCE UNTIL IT HAS COOLED.**

WARNING: EXPLOSION HAZARD

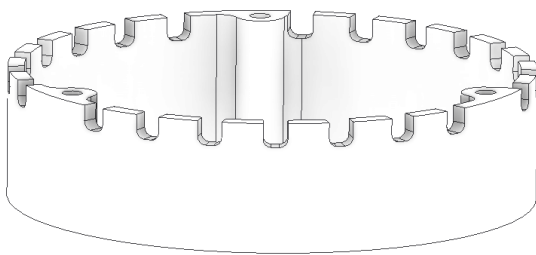
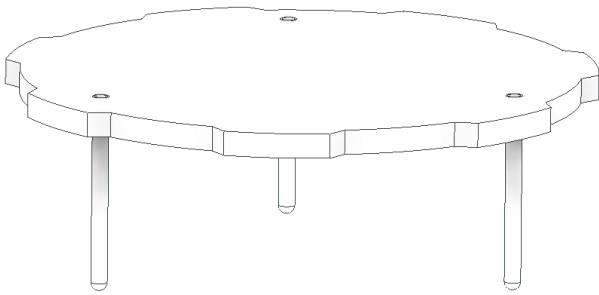
- **NEVER USE CHEMICALS, GASOLINE, GASOLINE-TYPE LANTERN FUEL, KEROSENE, CHARCOAL LIGHTER FLUID, OR SIMILAR FLAMMABLE LIQUIDS TO START OR "FRESHEN UP" A FIRE IN THE APPLIANCE.**
- **KEEP ALL FLAMMABLE LIQUIDS, ESPECIALLY GASOLINE, OUT OF THE VICINITY OF THE APPLIANCE - WHETHER IN USE OR IN STORAGE.**

1. Do not use this fire pit until you have read the operating instructions and user warnings.
2. Serious injury, death, and/or property damage may occur if the above instructions are not followed.
3. Use only on non-cumbustable surfaces. Do not use on a deck.
4. For outdoor use only and should not be used in a building, a garage, or any other enclosed area.
5. Do not use in an area with heavy grass, leaves, or other cumbustibles.
6. Extremely hot when in use. Never attempt to touch or move the firepit during use or before it has completely cooled down.
7. Do not use the fire pit for indoor heating. Toxic carbon monoxide can accumulate and cause asphyxiation and possibly death.
8. Not for commercial use.
9. This fire pit is not to be operated by children, this fire pit is not a toy.
10. Never leave the fire pit unattended, especially when children and pets are nearby.
11. This fire pit is not to be used in a boat or recreational vehicle.
12. Always use this fire pit in accordance with all applicable local, state, and national codes. Contact your local fire department for details.
13. Always check for local fire restrictions or bans before use.
14. When using the fire pit, exercise the same precautions you would with any open fire.
15. The use of alcohol, prescription or non-prescription drugs may impair the consumer's ability to operate the fire pit safely.
16. The fire pit is designed for use with standard firewood logs and may not function properly with other fuel sources.
17. Do not store or use LP gas cylinders within 30 feet of the fire pit while it is in operation.
18. Do not use this fire pit near automobiles, trucks, vans, or recreational vehicles.
19. Do not use this fire pit under any overhead or near any unprotected combustible constructions. Avoid using under or near any overhanging trees or shrubs.
20. Do not wear flammable or loose clothing when operating the fire pit.
21. Do not use the fire pit in windy conditions.
22. Keep all electrical cords away from the fire pit.
23. All surfaces of this fire pit are extremely hot when in operation. To avoid burns and serious injury, do not touch the fire pit until the fire is completely out and it has completely cooled. Never touch the coals or ash to see if they're still warm.
24. Do not attempt to move or store this fire pit until all fire, coals, and ashes are completely extinguised and the unit has completely cooled.
25. Do not remove any coals or ash or clean the fire pit until the coals and ash are completely extinguised and the unit has completely cooled.
26. Do not lean over the fire pit when lighting or when it is in use.
27. Avoid breathing smoke from the fire and avoid getting smoke in your eyes.
28. The fire pit should be inspected and cleaned regularly after each use.
29. After a period of non-use, check the fire pit for signs of damage and creosote buildup. Do not operate until necessary repairs and/or cleanup is done.
30. Do not use water to extinguish the fire in the firepit.

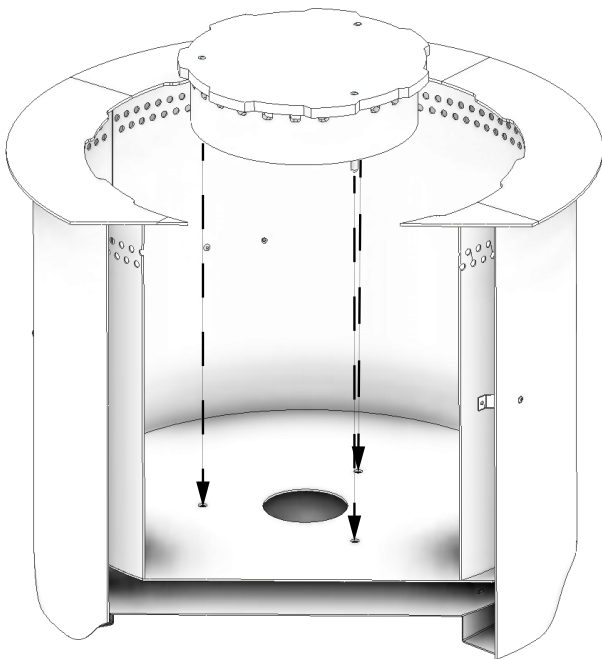
ASSEMBLY INSTRUCTIONS

FOR CUSTOMER SERVICE CALL: 800-750-2723 EXT 5050

- Slide the studs on the burner top into the slots in the burner bottom.



- After assembling all the burner pieces, place it into the bottom of the firepit. Align the burner studs with the holes in the bottom of the firepit. **NOTE: If a replacement Burner Kit (893653) is needed please call customer service.**

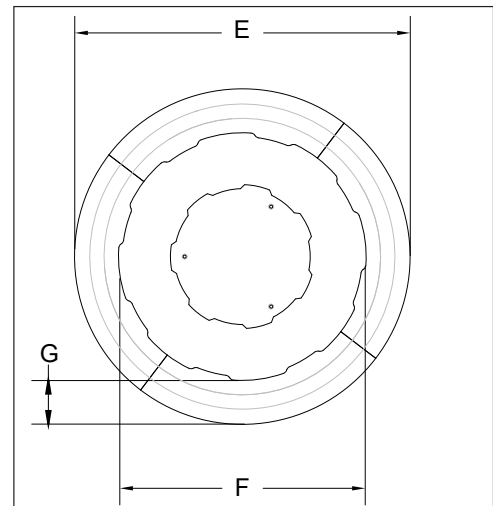
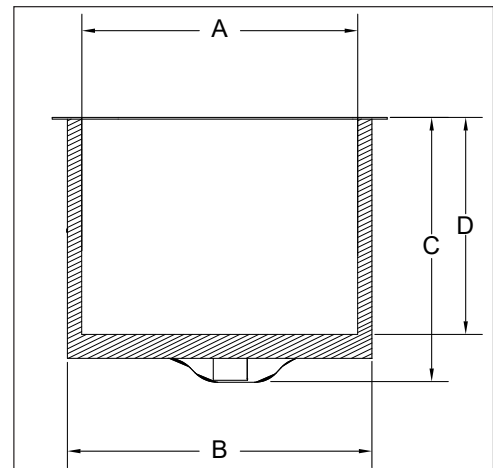


USSPL21

| | | |
|---|-----------------------|--------|
| A | Inside Bowl Diameter | 17.3in |
| B | Outside Bowl Diameter | 19.1in |
| C | Total Height | 16.5in |
| D | Inside Height | 13.6in |
| E | Outside Rim Diameter | 21.0in |
| F | Inside Rim Diameter | 15.4in |
| G | Rim Width | 2.7in |

USSPL31

| | | |
|---|-----------------------|--------|
| A | Inside Bowl Diameter | 25.5in |
| B | Outside Bowl Diameter | 27.1in |
| C | Total Height | 16.5in |
| D | Inside Height | 13.5in |
| E | Outside Rim Diameter | 31.0in |
| F | Inside Rim Diameter | 22.0in |
| G | Rim Width | 4.5in |



FUELING YOUR FIRE PIT

The operation of this wood fire pit in a manner inconsistent with the owner's manual will void your warranty. Waste and other flammable materials should not be burned in your fire pit. **DO NOT BURN:**

1. Garbage;
2. Lawn clippings or yard waste;
3. Materials containing rubber, including tires;
4. Materials containing plastic;
5. Waste petroleum products, paints or paint thinners, or asphalt products;
6. Materials containing asbestos;
7. Construction or demolition debris;
8. Railroad ties or pressure-treated wood;
9. Manure or animal remains;
10. Saltwater driftwood or other previously salt water-saturated materials;
11. Unseasoned wood; or
12. Paper products, cardboard, plywood, or particleboard. (The prohibition against burning these materials does not prohibit the use of fire starters made from paper, cardboard, sawdust, wax, and similar substances to start a fire in an affected wood heater.)

Burning these materials may result in the release of toxic fumes or render the heater ineffective and cause smoke.

USE SEASONED FIREWOOD

Deadwood lying on the forest floor should be considered wet and requires full seasoning time. Standing deadwood can usually be considered to be about 2/3 seasoned. Smaller pieces of wood will dry faster. All logs exceeding 6" in diameter should be split. The wood should not be stored directly on the ground. Air should circulate through the logs. A 24" to 48" air space should be left between each row of logs, which should be placed in the sunniest location possible. The upper layer of wood should be protected from the element but not the sides. A good indicator of if the wood is ready to burn is to check the piece ends. If cracks are radiating in all directions from the center then the wood should be dry enough to burn. If your wood sizzles in the fire, even though the surface is dry, it may not be fully cured and should be seasoned longer. It is **EXTREMELY IMPORTANT** that you use **DRY WOOD** only in your fire pit. The wood should have dried for 9 to 15 months, such that the moisture content (in weight) is reduced below 20% of the weight of the log. It is very important to keep in mind that even if the wood has been cut for one, two, or even more years, it is not

necessarily dry, if it has been stored in poor conditions. Under extreme conditions, it may rot instead of drying. This point cannot be overstressed; the vast majority of the problems related to the operation of a fire pit is caused by the fact that the wood used was too damp or had dried in poor conditions. These problems can be:

- ignition problems
- low energy yield
- smoking
- incomplete log combustion

Do not burn manufactured logs made of wax impregnated sawdust or logs with any chemical additives. Manufactured logs made of 100% compressed sawdust can be burned, but be careful burning too much of these logs at the same time. Start with one manufactured log and see how the fire pit reacts. You can increase the number of logs burned at a time.

CLEANING YOUR FIRE PIT

Once the fire has gone out and the pit has been given sufficient time to cool you may empty any ash. Empty as much ash out of the fire pit as possible if rain is expected, or before water is used to clean it. **NOTE:** Optional firepit shovel available for purchase.

ASH DISPOSAL

| CAUTIONS: |
|--|
| <ul style="list-style-type: none"> • ASHES COULD CONTAIN HOT EMBERS EVEN AFTER TWO DAYS WITHOUT OPERATING THE FIREPIT. |

Ashes should be placed in a metal container with a tight-fitting lid. The closed container of ashes should be placed on a non-combustible floor or the ground, away from all combustible materials, pending final disposal. The ashes should be retained in the closed container until all cinders have thoroughly cooled.

If you need to dispose of ashes without a metal container then take these precautions: Empty ashes in an area free of any combustibles then drown the ashes with water. Next, mix the ashes and embers and scrape all partially-burned sticks and logs to make sure all the hot embers are off them. Stir the embers after they are covered with water and make sure that everything is wet. Feel for heat left in coals, embers, and any partially-burned wood. Once you think you are done, take an extra minute and add more water. Check the entire area possible sparks or embers. If it is too hot to touch, it is too hot to leave.