

PRODUCT NAME:

**ASSEMBLY
INSTRUCTION**

Bestier Computer Desk with Storage Shelves



Know more about Bestier from



IMPORTANT

CONTACT US BY:

PHONE: 888-666-1086

EMAIL: Service@bestier.net

Thanks for choosing Bestier.
Your item is sent with care.
Please share your shopping experience on Amazon
if you are satisfied with it.
Feel free to contact us if you need help.

HELPFUL HINTS

! ASSEMBLY TIP

BEFORE YOU START

- Read through each step carefully and follow the proper order by reading this assembly instruction.
- Separate and count all your parts on a clean surface to check if the tags and numbers are correct.
- Give yourself enough room for the assembly process.

! CAUTION

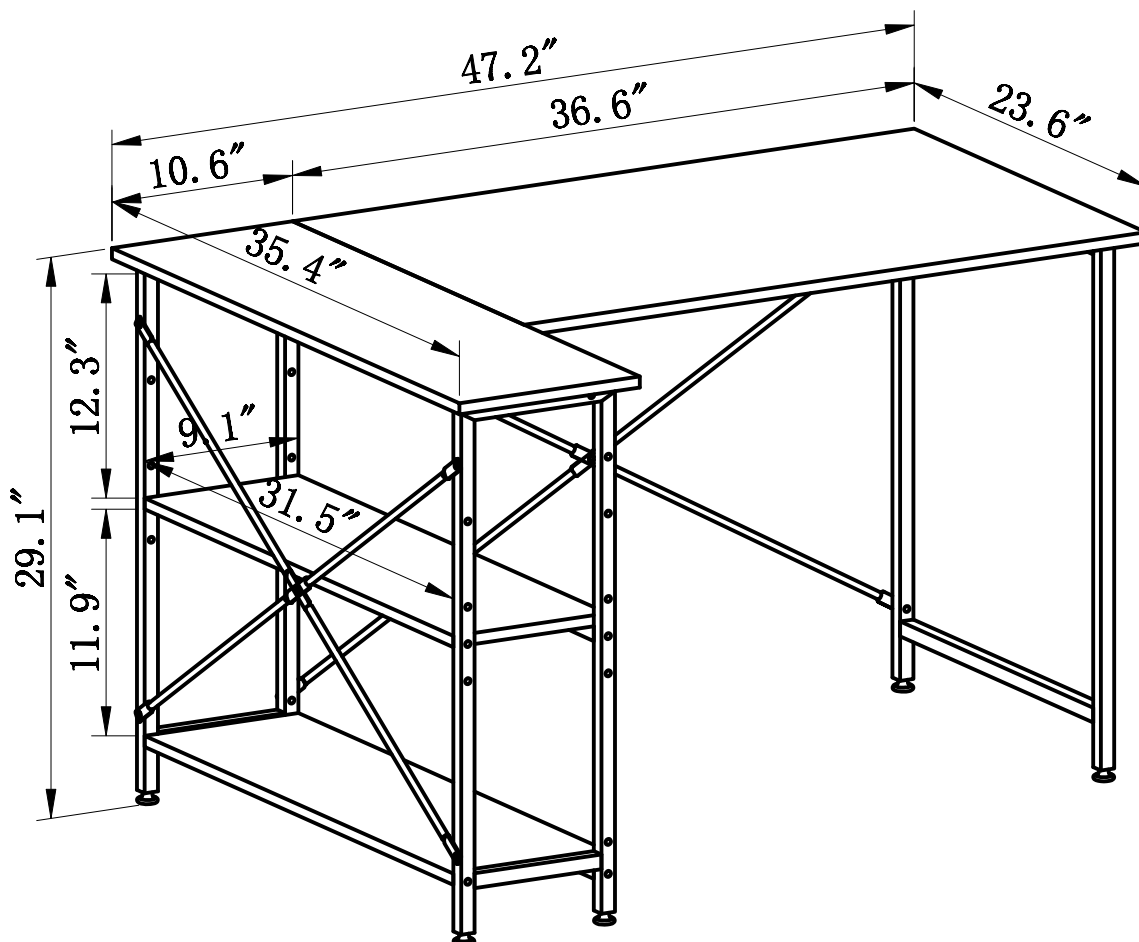
- If using a power drill or power screwdriver for screwing please be aware to slow down and stop when screw is tight. Failure to do so may result in stripping the screw.

! PEOPLE NEEDED FOR ASSEMBLY: 1-2 ESTIMATED ASSEMBLY TIME: 1 HOUR

- Open your item in the area you plan to keep it to avoid excessive heavy lifting.
- Identify, sort and count the parts before attempting assembly.
- Check the product packaging, whether the appearance is good.
- According to the product drawing, determine the product installation position and install according to the correct steps.
- Do NOT use harsh chemicals or abrasive cleaners on this item.
- Carefully push, pull, or drag your furniture.

INSTALLATION POINTS

UNIT: INCH



BEST-1298-D31

02

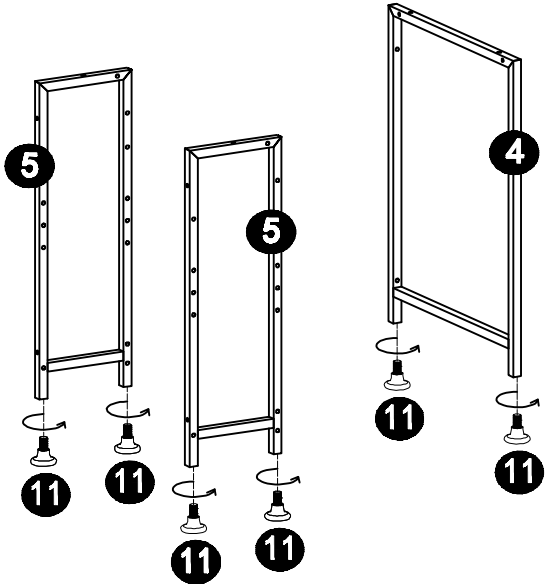
PARTS LIST

	 1 x1	 2 x1
	 3 x2	 4 x1
 5 x2	 6 x2	 7 x1
 9 x2	 10 x2	 11 x6
 8 x2		

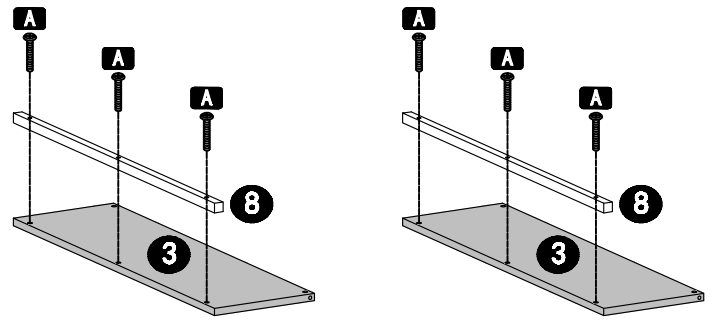
ACCESSORIES LIST


No.	PICTURE	SIZE	QTY	No.	PICTURE	SIZE	QTY
A		M6x30	26	E		M6x10	2
B		M6x35	10	F		Φ8	8
C		ST5x50	4				
D		M6	10				

STEP 1

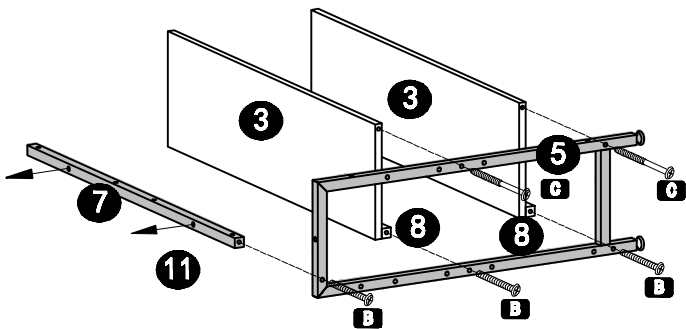


STEP 2



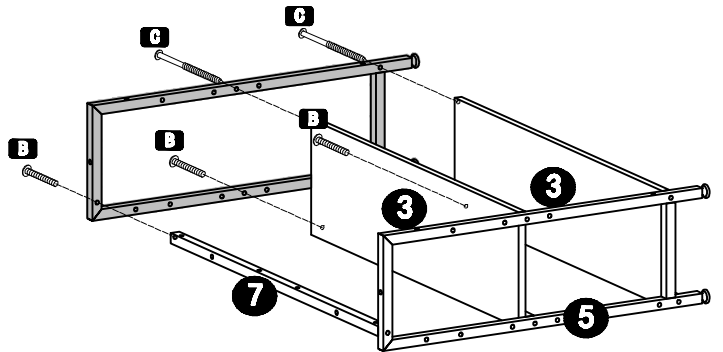
A  M6x30 6

STEP 3



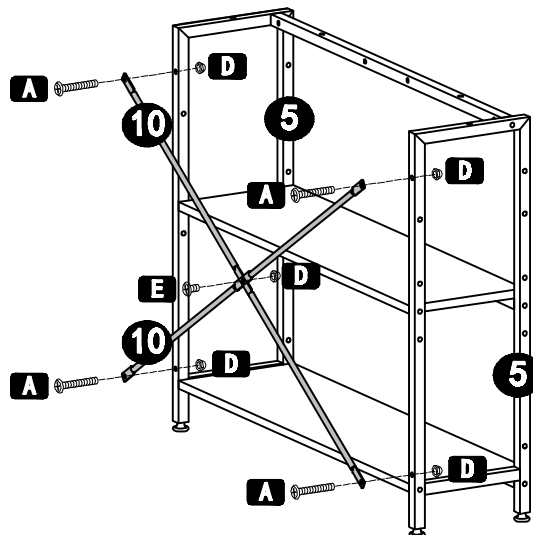
B  M6x35 3 **C**  ST5x50 2

STEP 4



B  M6x35 3 **C**  ST5x50 2

STEP 5

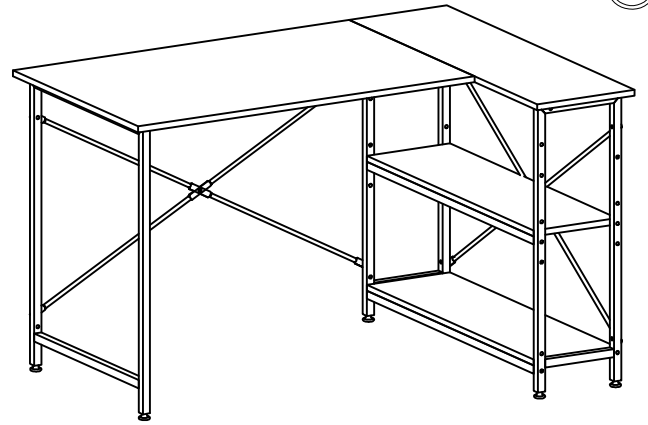
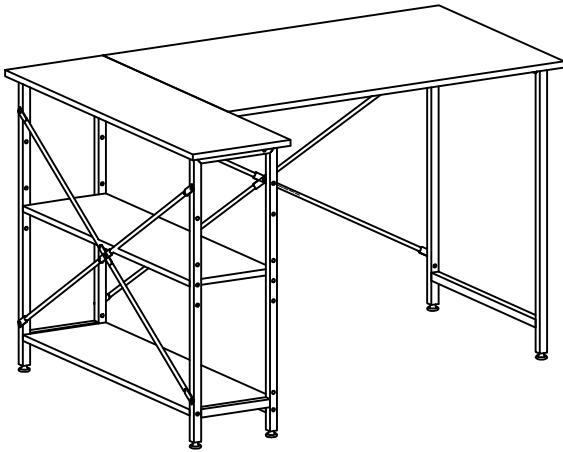


A  M6x30 4 **D**  M6 5 **E**  M6x10 1

ACCORDING TO THE STYLE YOU WANTED AS SHOWN, CHOOSE
 (A) OR (B) TO INSTALL YOUR TABLE

(A)

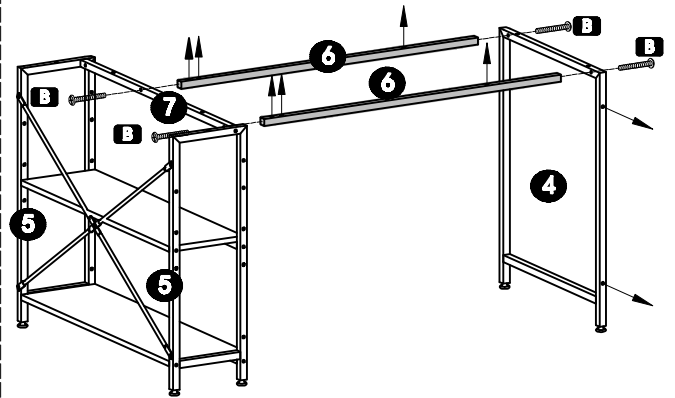
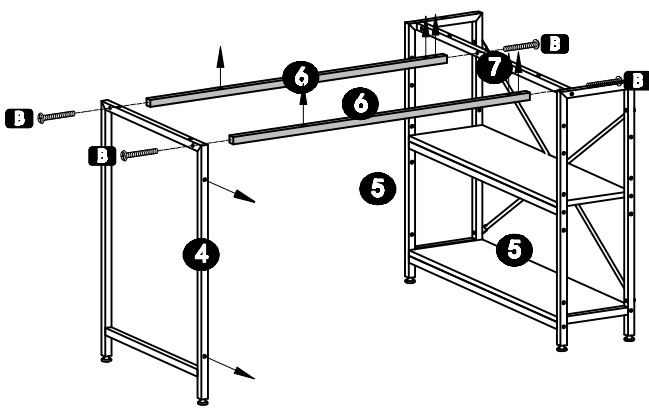
(B)



(A)

STEP 6

(B)

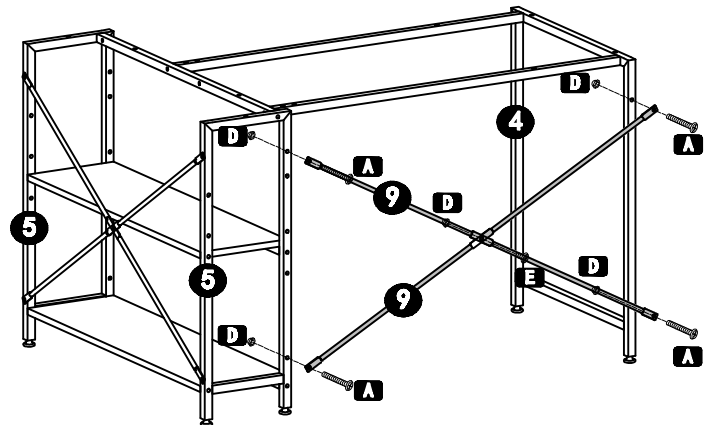
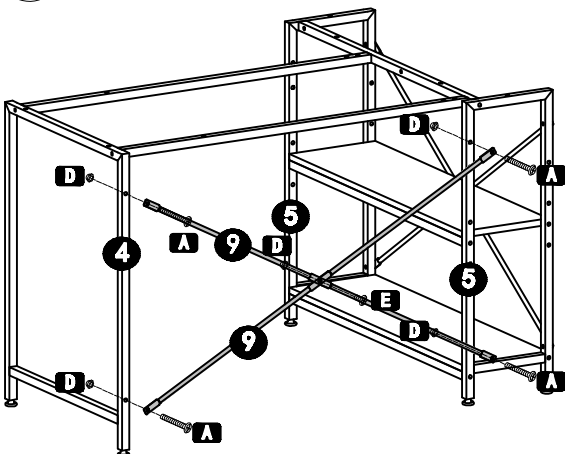


(B)  M6x35 4

(A)


STEP 7

(B)



(A)  M6x30 4

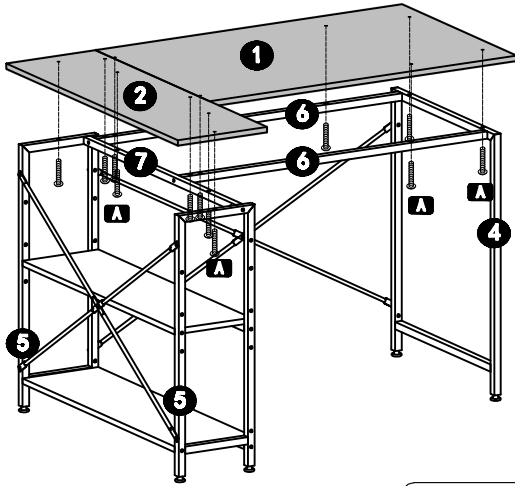
(D)  M6 5

(E)  M6x10 1

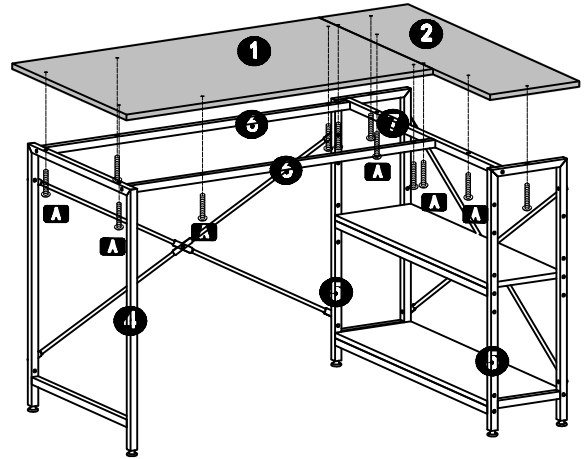
STEP 8

※Please pay attention to the size of the mounting screws in case of damaging board.

A



B



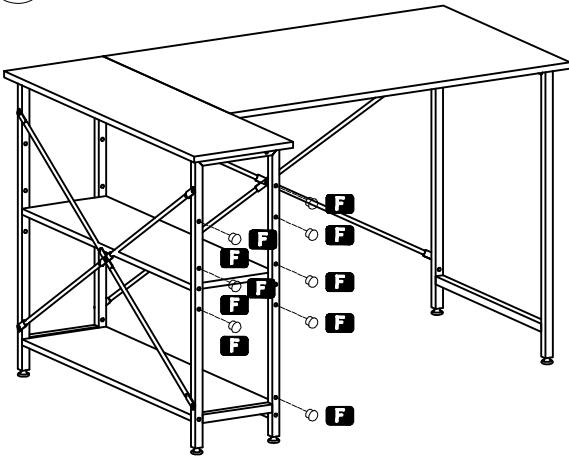
A



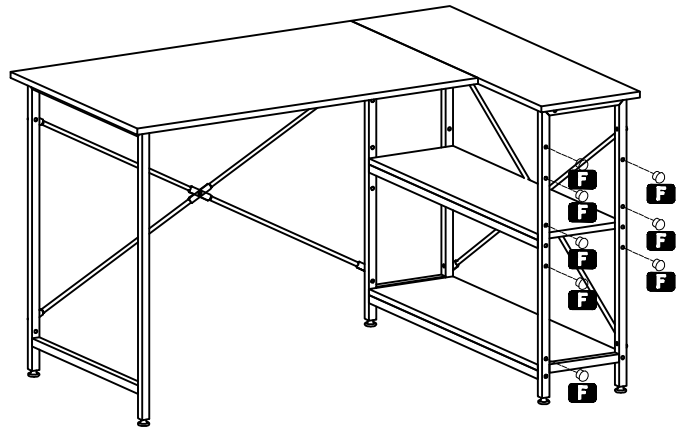
M6x30 12

STEP 9

A



B



F



Φ8

8