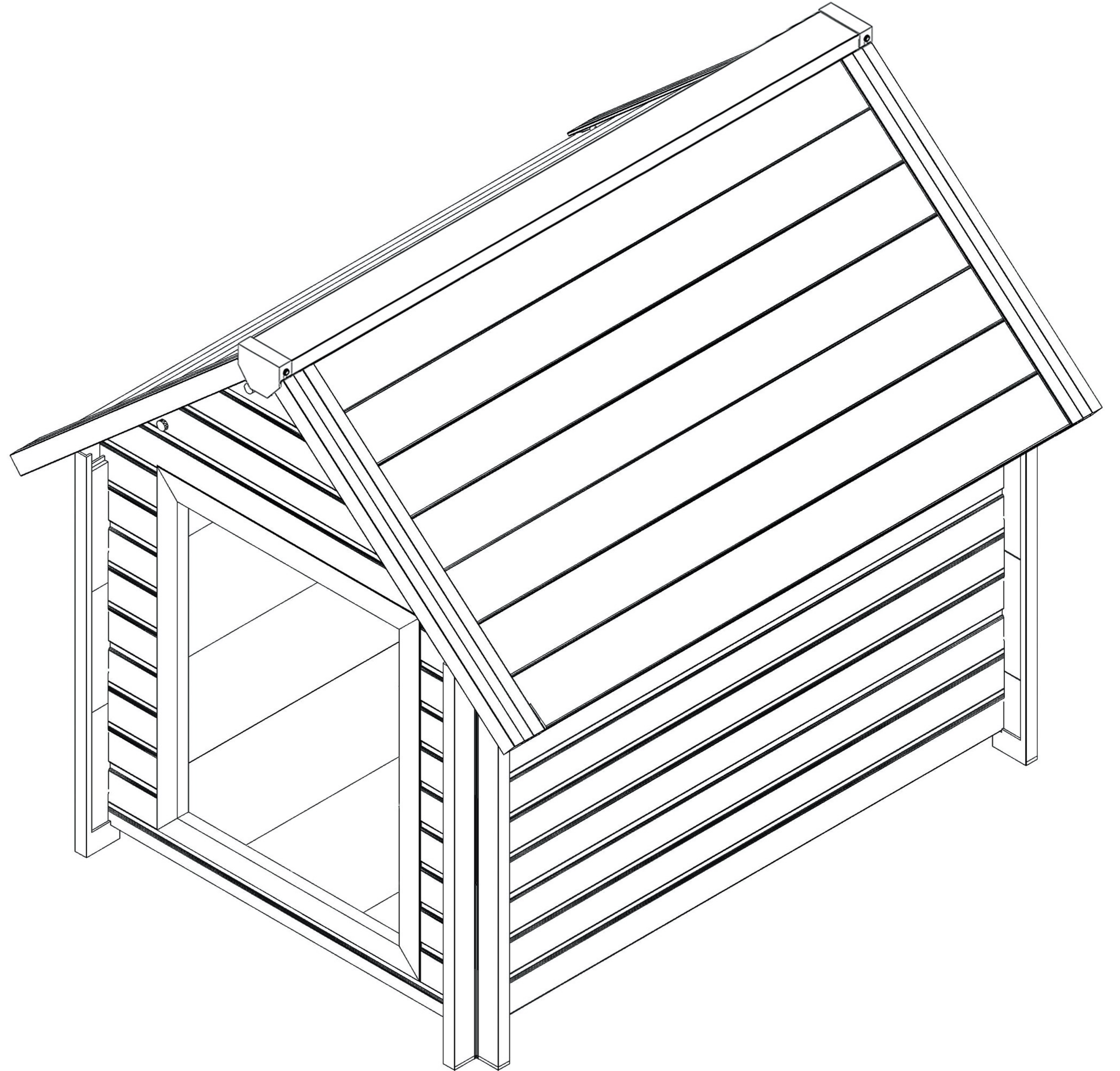




Bunk House for Pet

ECO103L-GN-16



Congratulations on your purchase!

Before you Start – check for damaged or missing parts. Visit

www.NewAgePet.com/customer-service to order replacement parts.

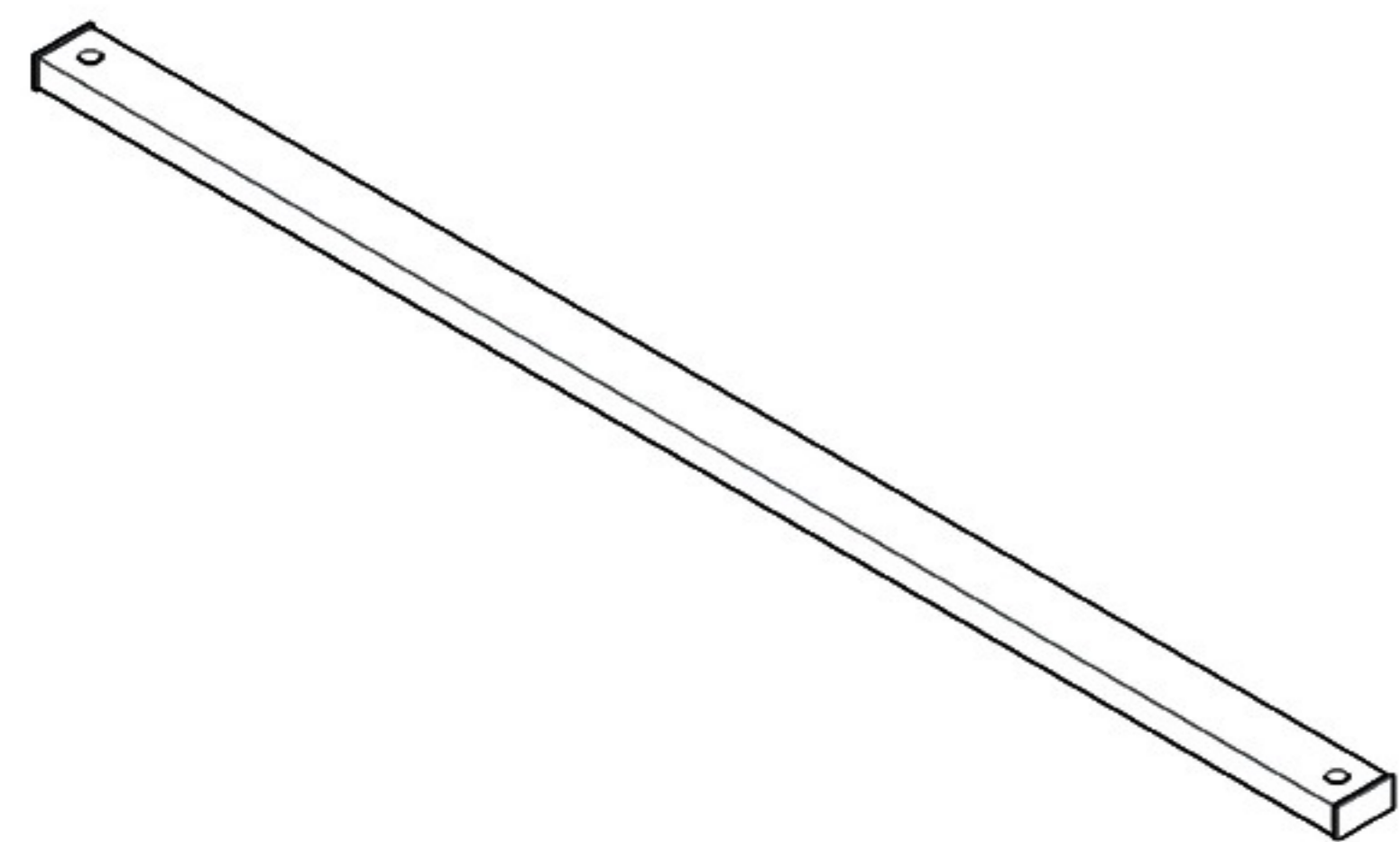
Parts List

ECOH103L-GN-16

ECOFLEX Panels

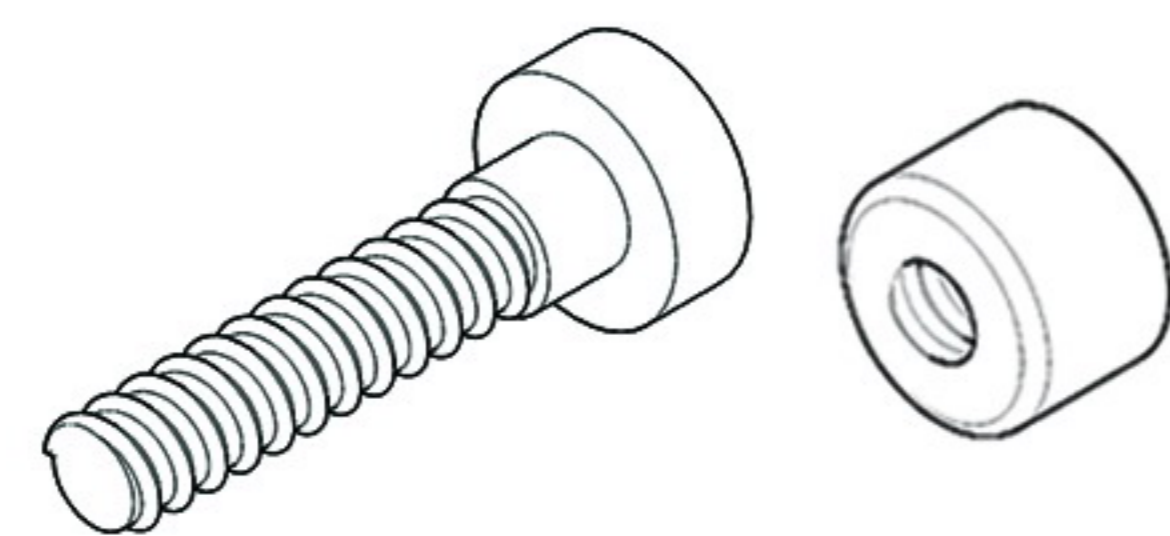
Part# 1- Part#36

Hardware:



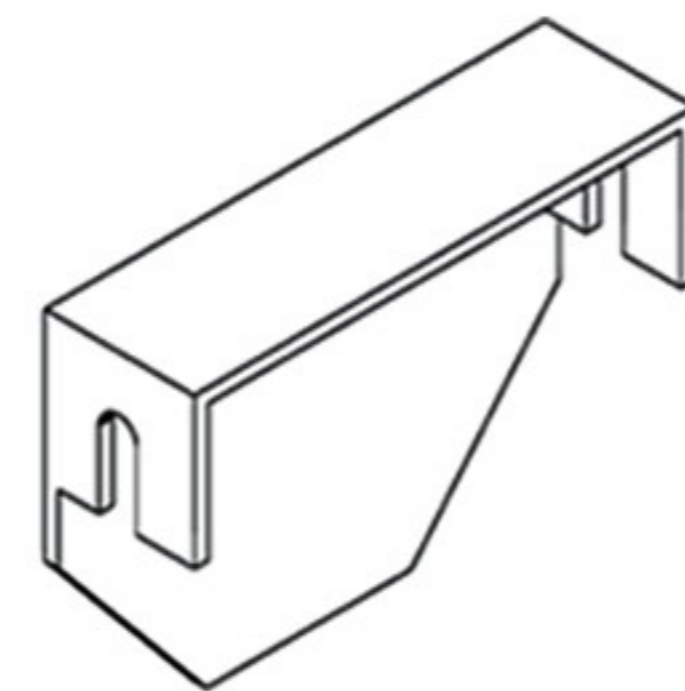
(A) × 2

Floor Support Bar



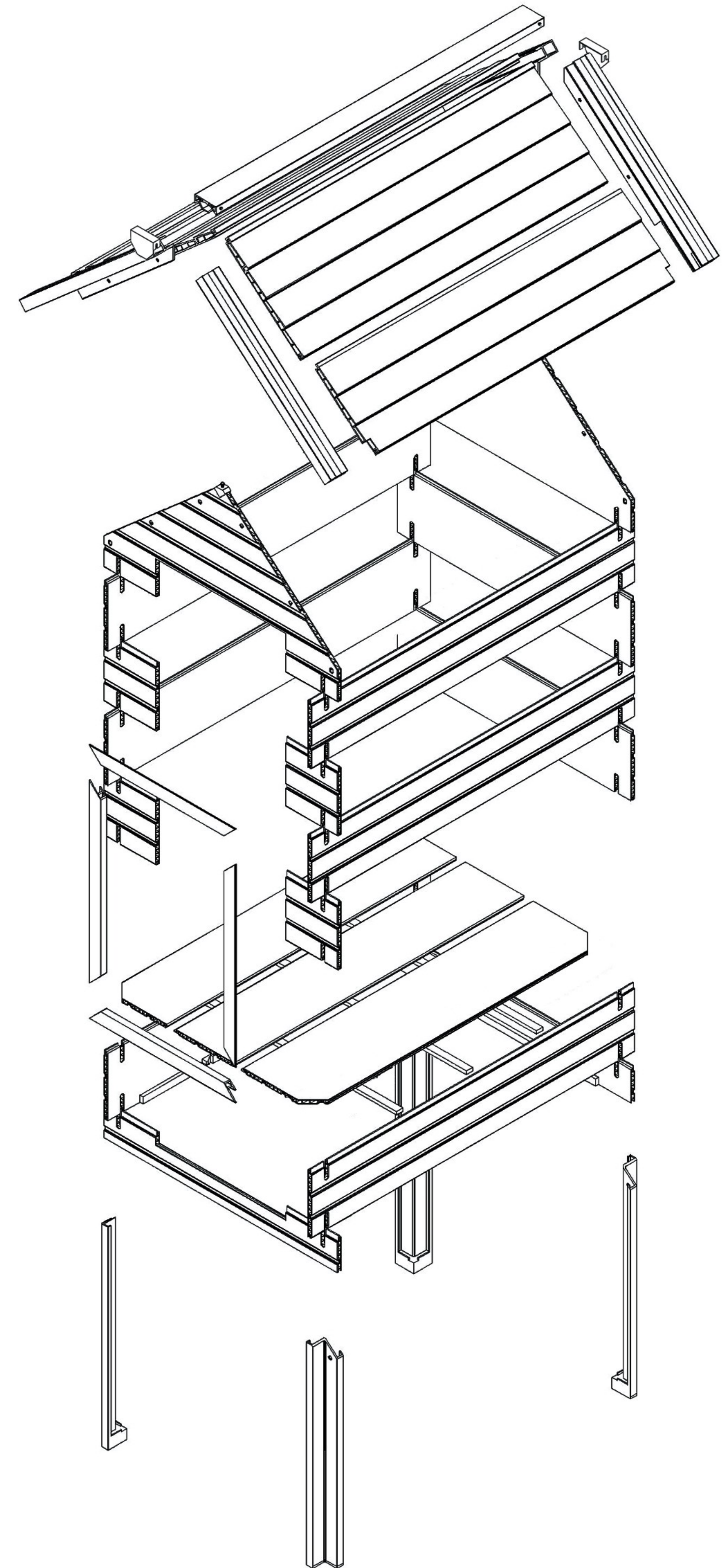
(B) × 12

Thumb Screw and Nuts
(may come in one or two colors,
vary by model)



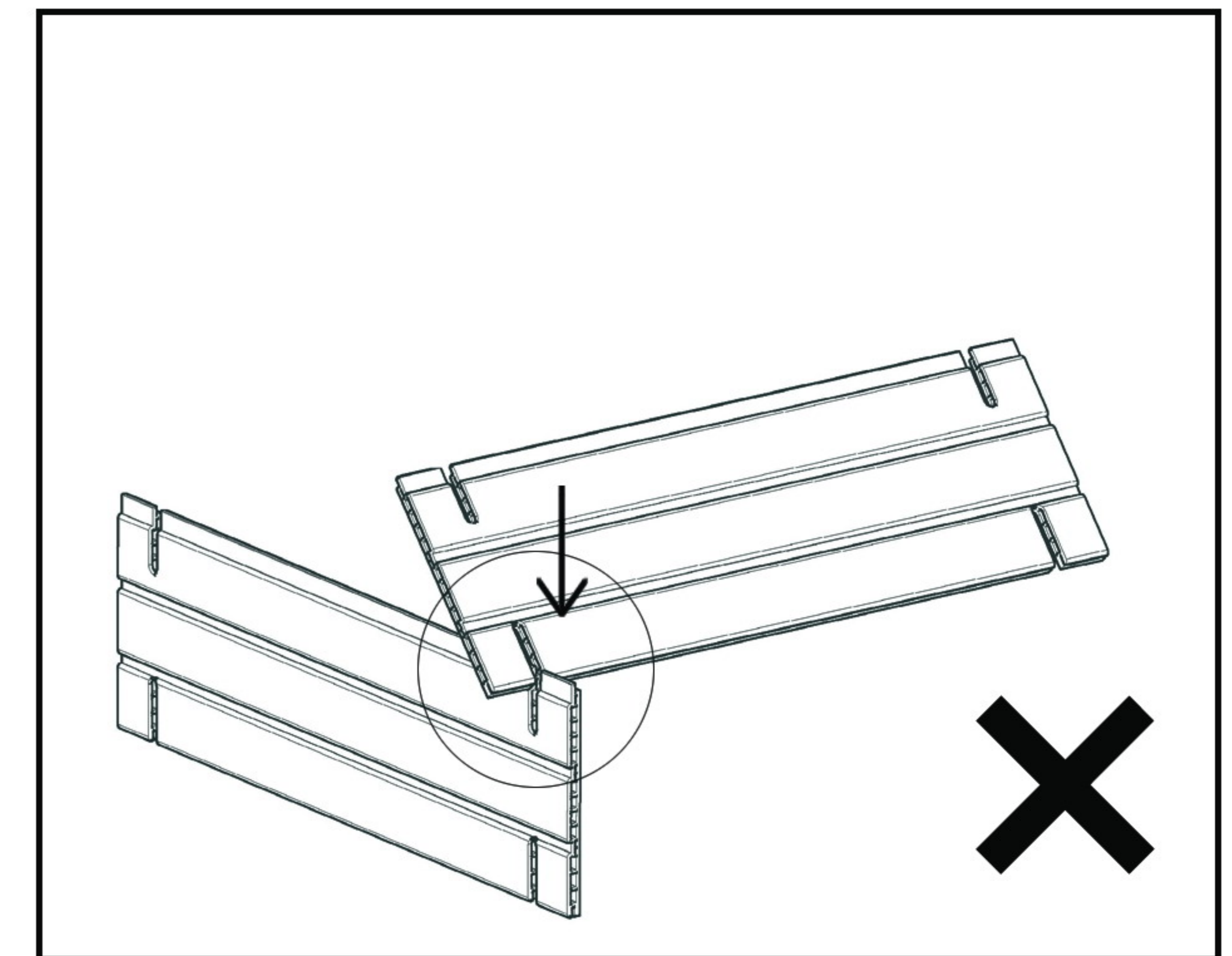
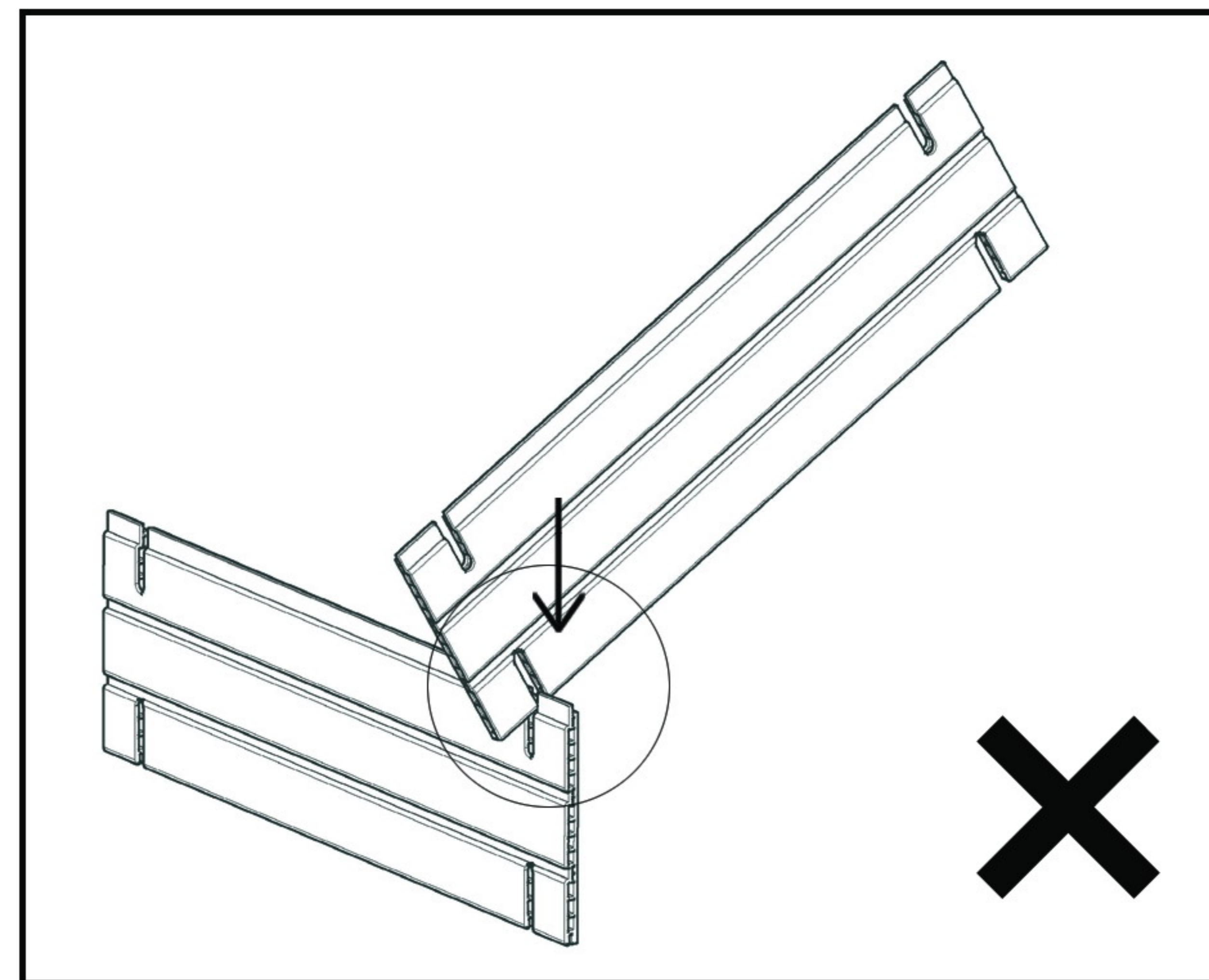
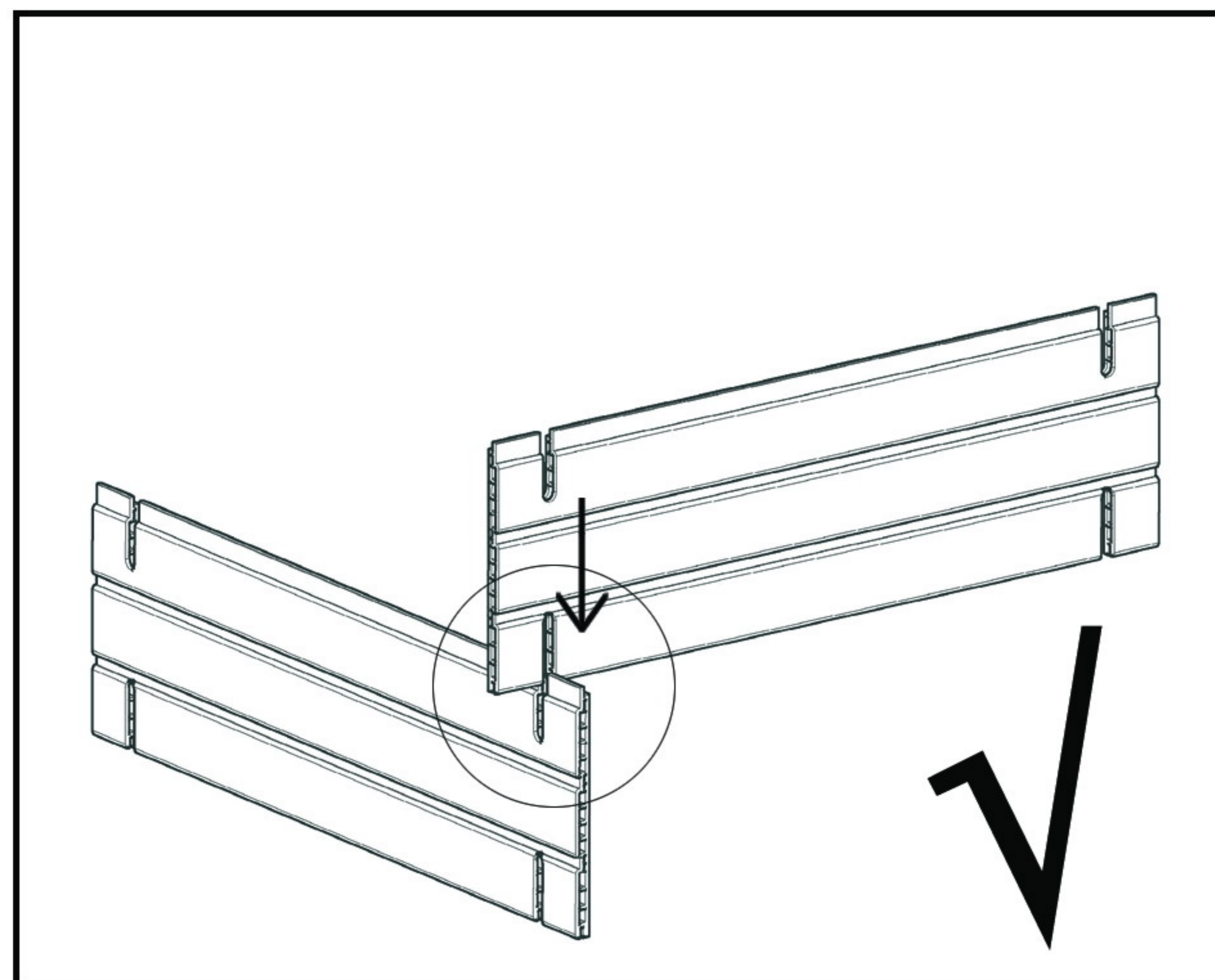
(C) × 2

Roof Rail End Cap



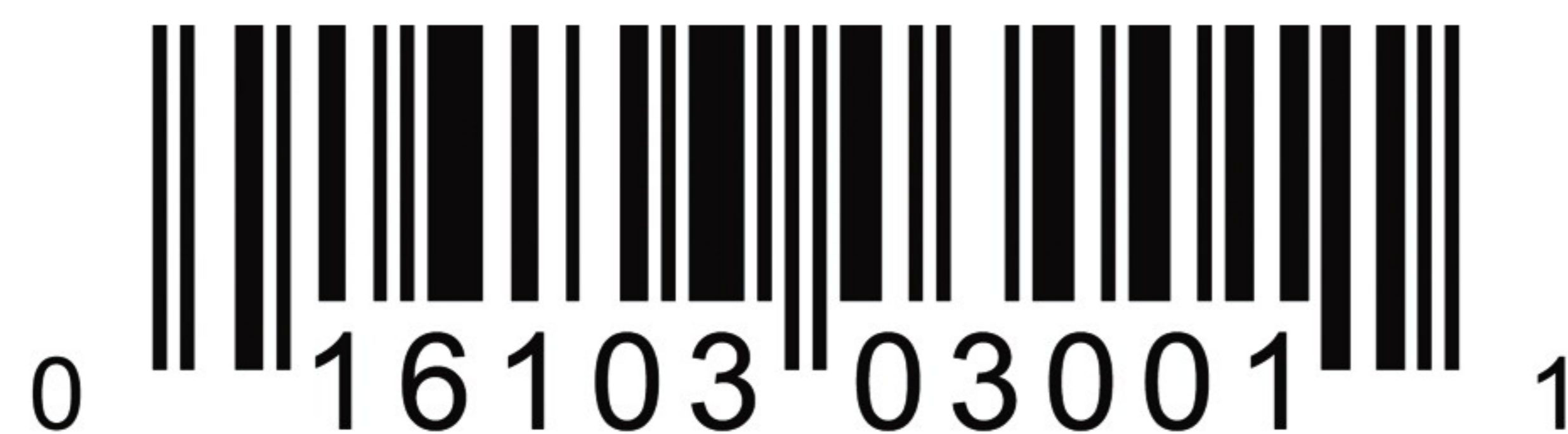
Notes

STOP! Do you know you can paint or stain your ecoFLEX Pet Home? Whether you want to add your personal touch, or coordinate your pet's home to your home, do it now before you assemble the house. Simply follow the useful tips at the end of this instruction booklet. Be creative and have fun!



When installing wall panels, make sure the two connecting panels are at a 90 degree angle vertical to the ground, and 90 degree perpendicular to each other. Tilting in any way might cause damage to the groove.

01 ——— Part #



Part Label.

All Parts are labeled in the sequence of assembly.

IMPORTANT ASSEMBLY TIPS

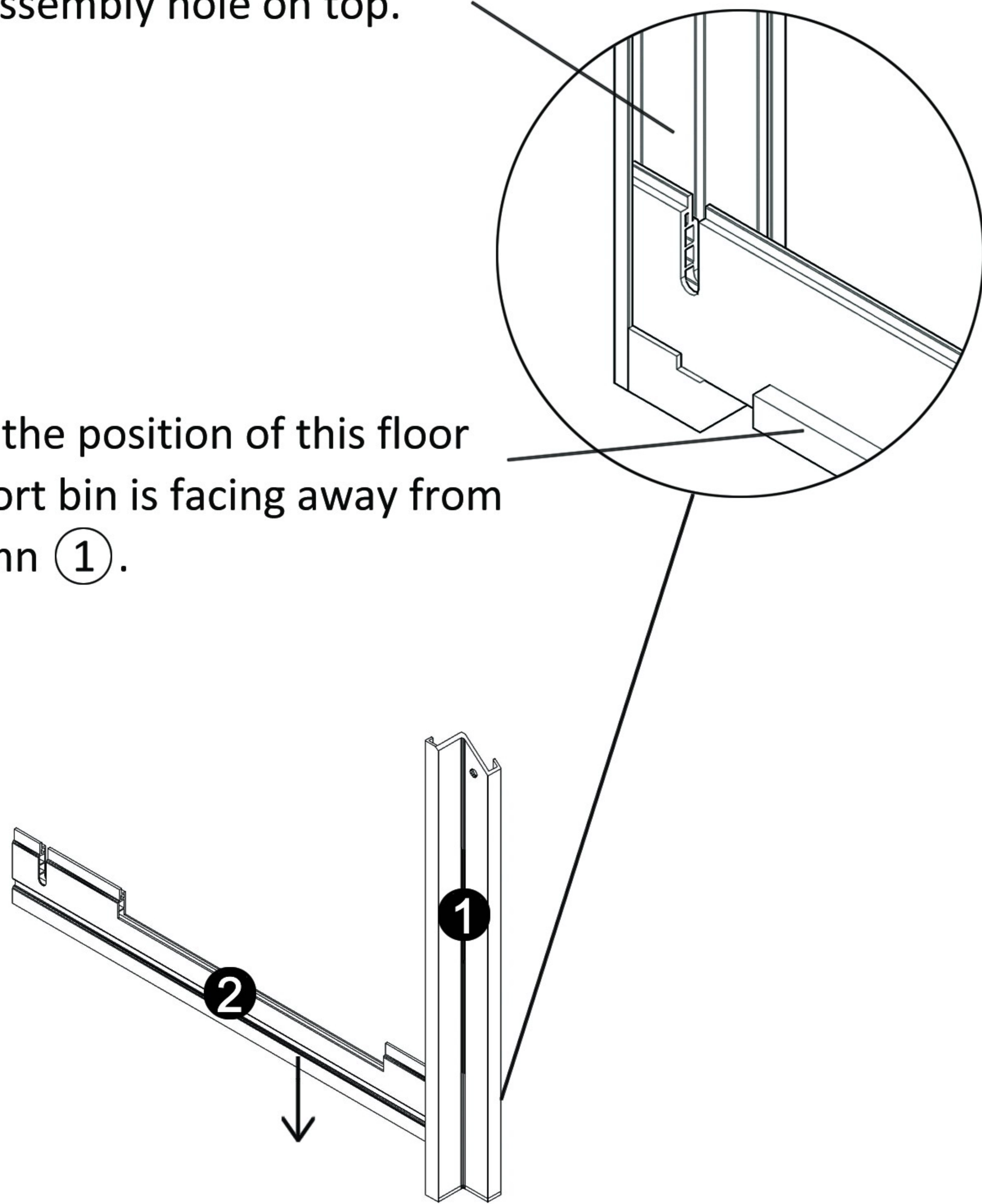
Before launching the new ecoFLEX line, we conducted hundreds of tests and surveys with pet lovers like you. Thanks to all the feedback, we now have these valuable tips to pass on to you...

- ⇒ **Assemble on a hard, flat surface.** Once assembled, you can easily move the dog house to your desired location.
- ⇒ **Sort the parts in sequence.** We know you are eager to dive in, but spending a moment to lay out the parts by ascending numbers will save you time and frustration later on.
- ⇒ **Note the difference of the panel edges.** For all wall, roof and floor panels, one edge has lip, the other edge has groove. During assembly, the grooved edge is always facing downward (except for the floor panels).
- ⇒ **Note the difference of the two sides of panels.** As a general rule, the flat side is facing inside the house, and the washed side is facing outside.

Step 1.

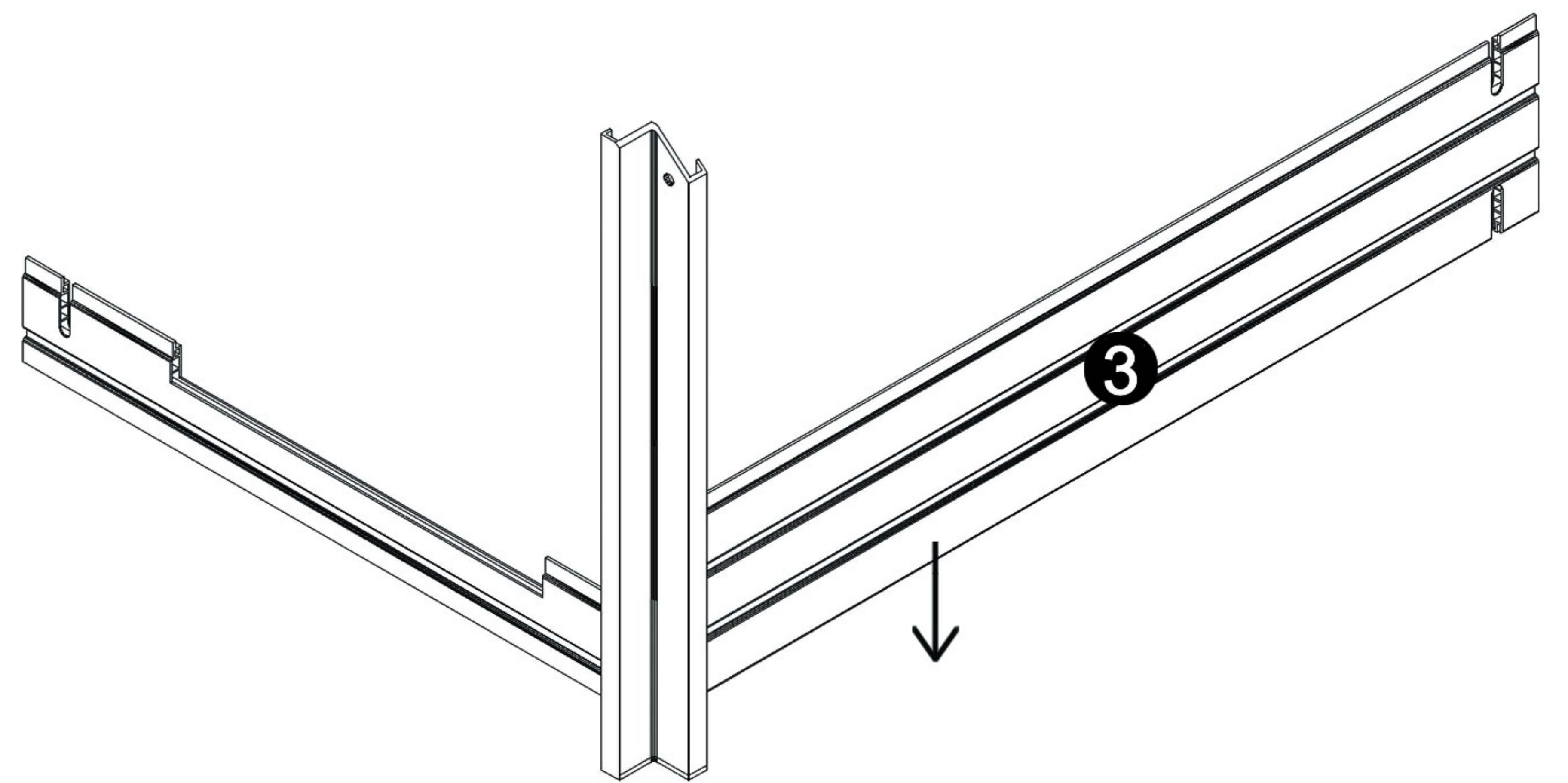
This side of column ① has no assembly hole on top.

Note the position of this floor support bin is facing away from column ①.

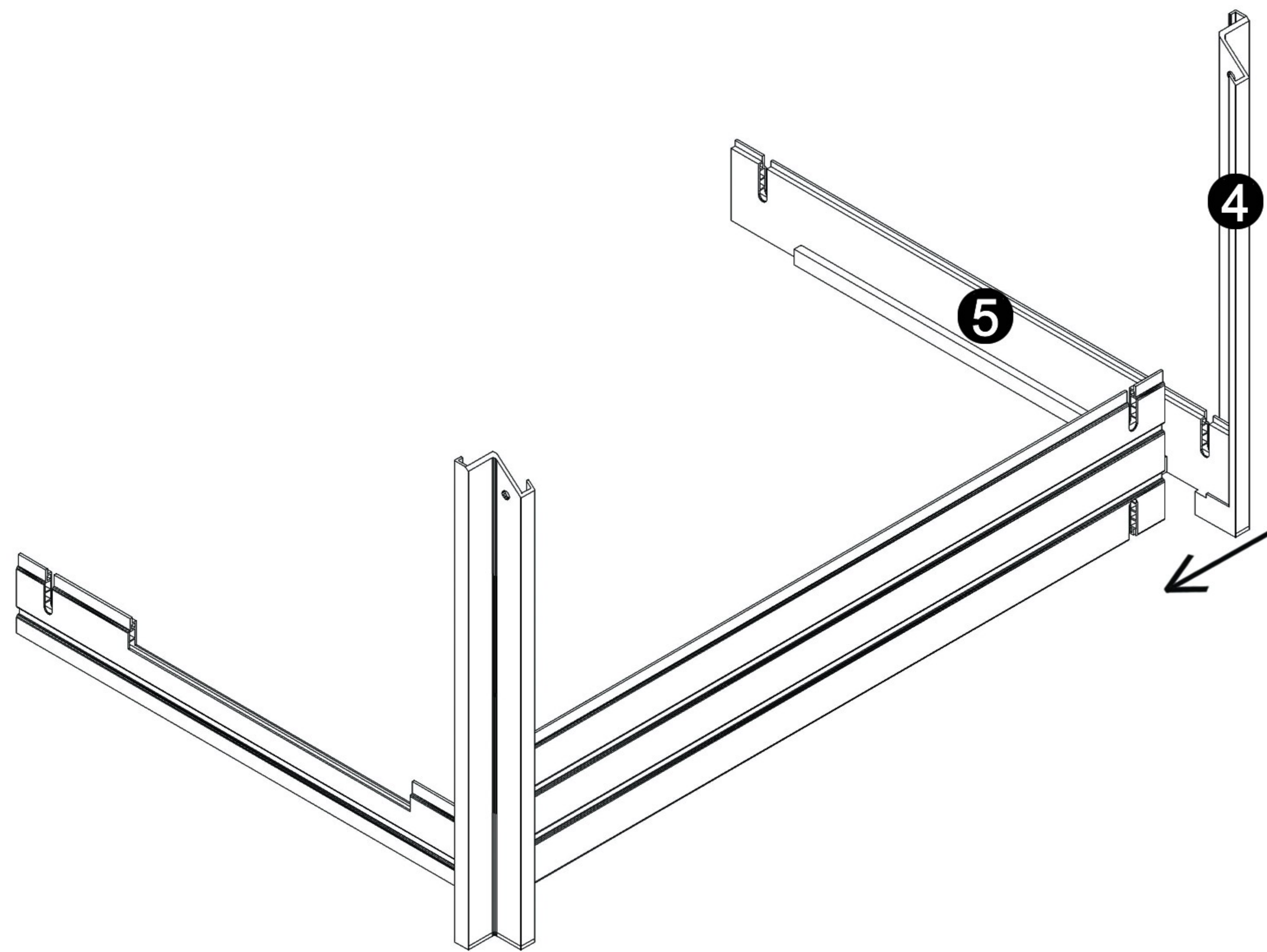


Step 2.

Note: After install Panel ③, make sure the FLAT side of panel ① and ③ are facing inside, and the washed sides are facing out.

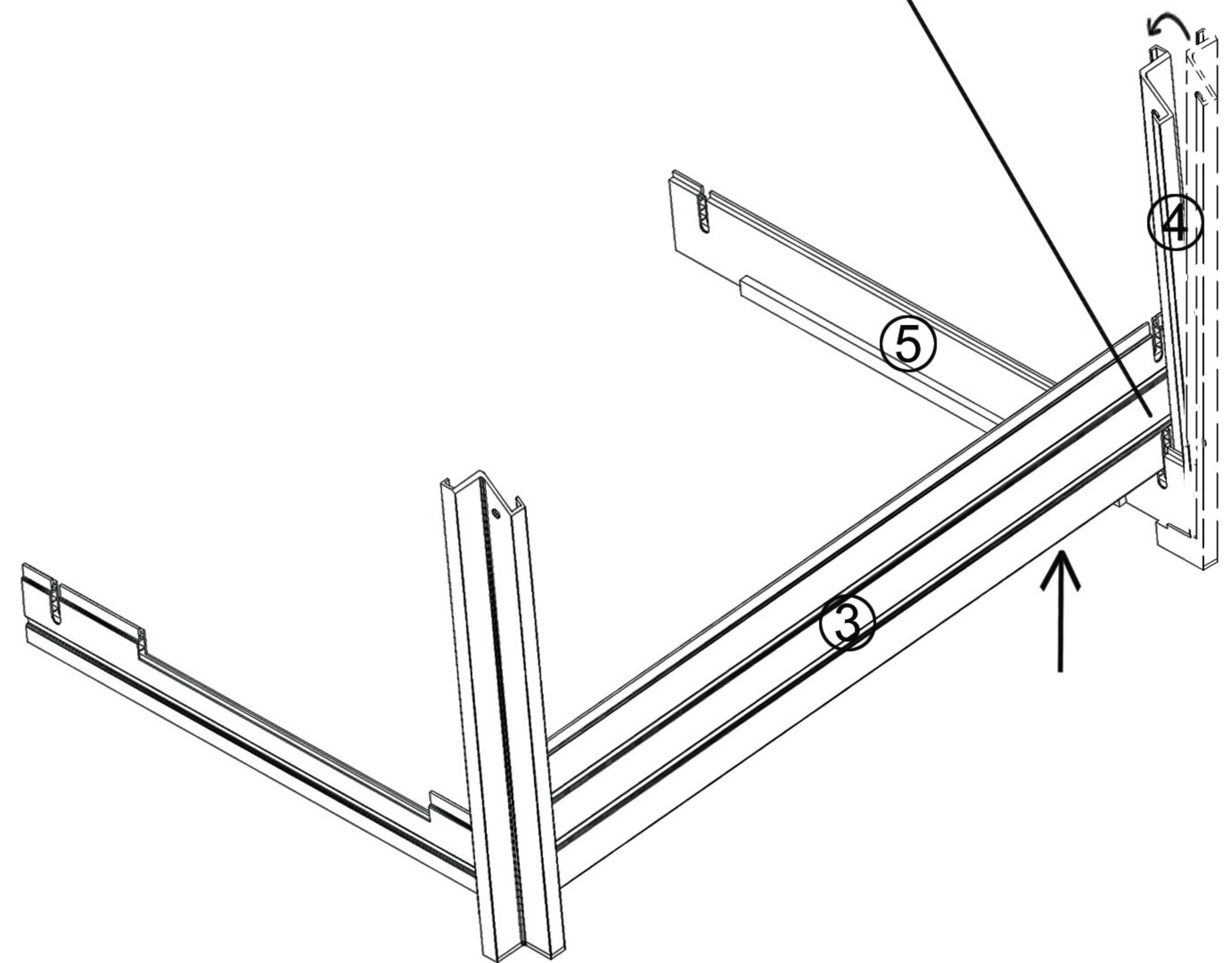


Step 3.



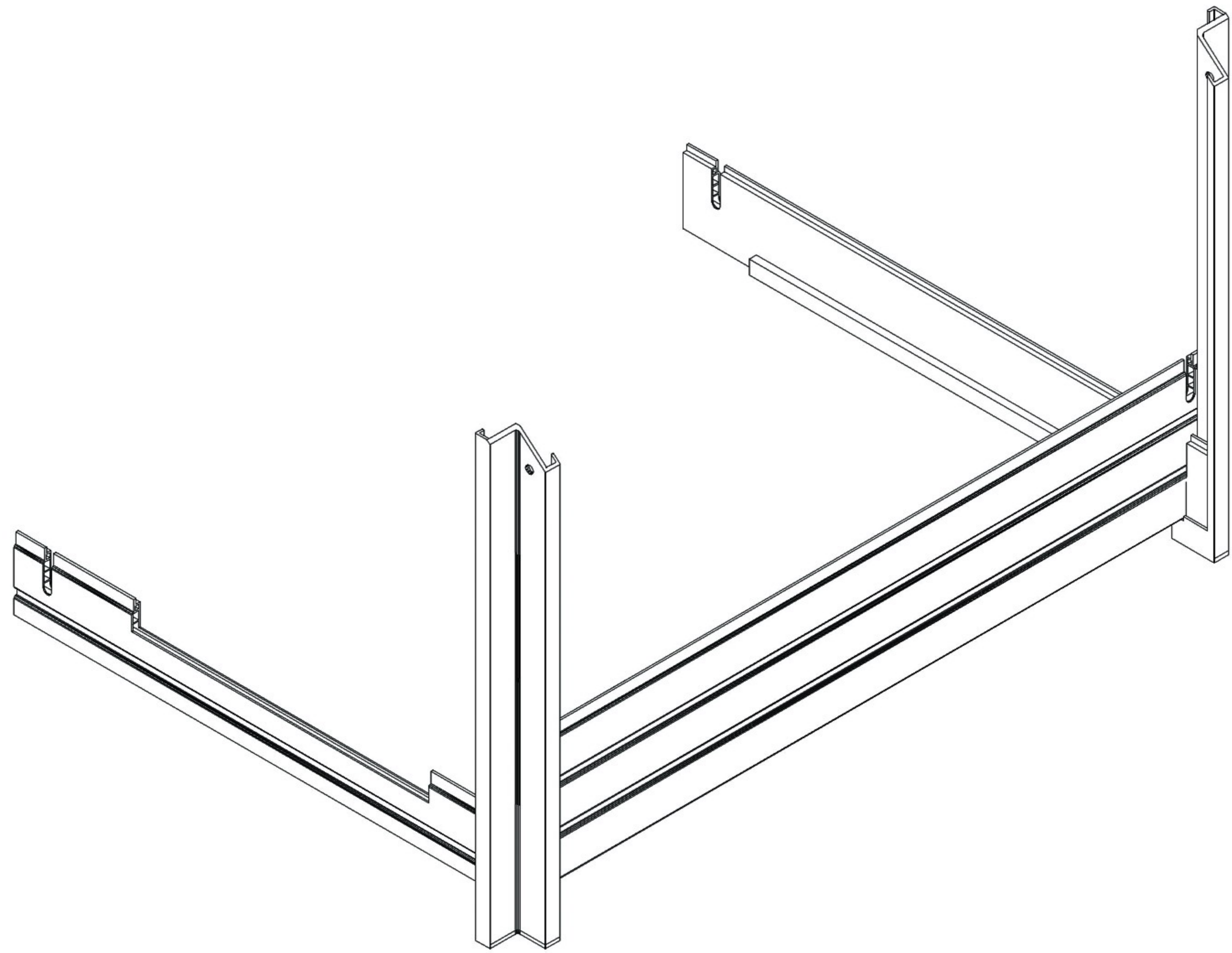
Step 4.

Move assembled parts ④ & ⑤ and ③ near to each other. Lift ③ upward as shown, then tilt ④ & ⑤ so ③ is perpendicular to ⑤. Insert ③ into ⑤.

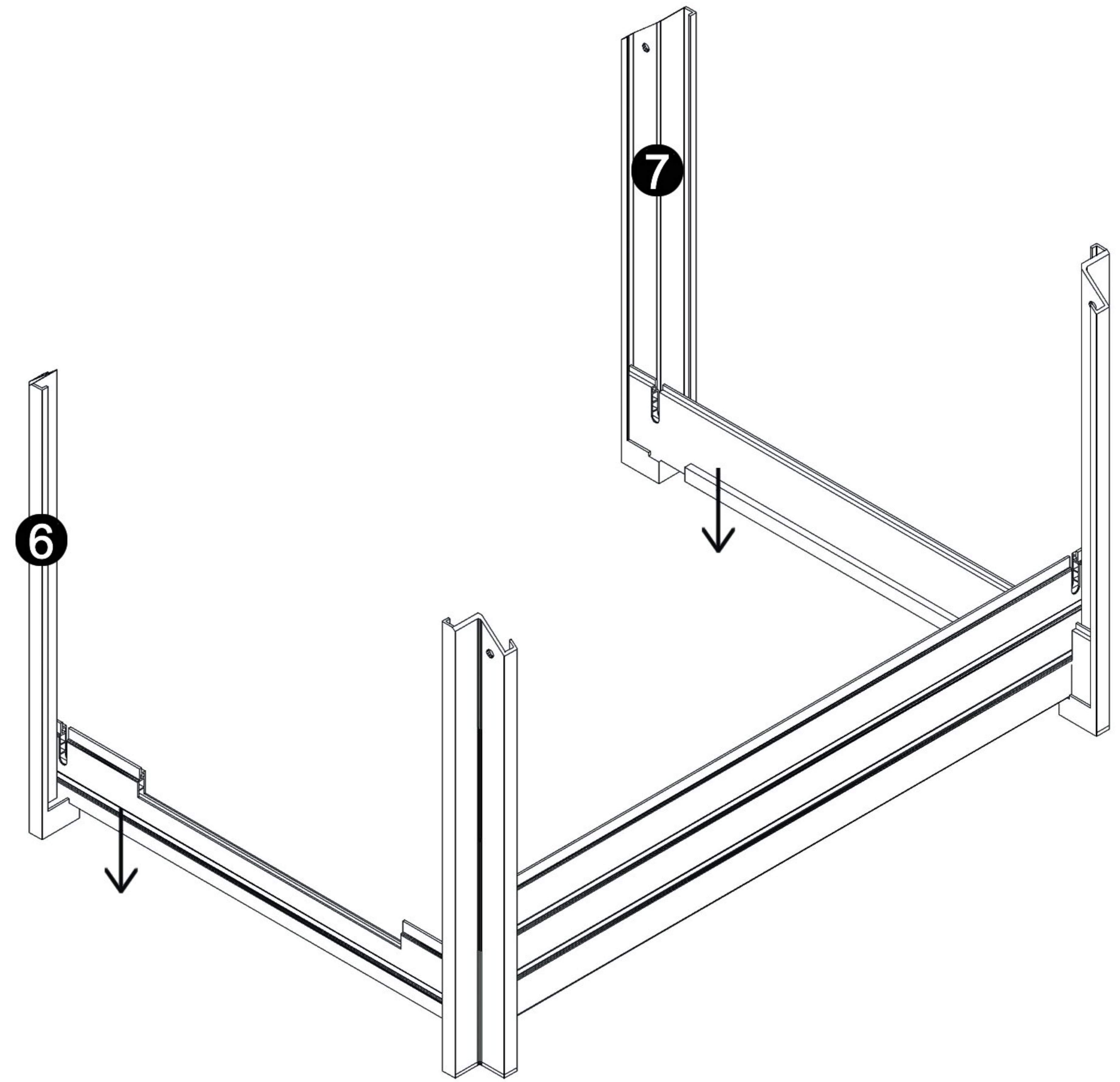


Step 5.

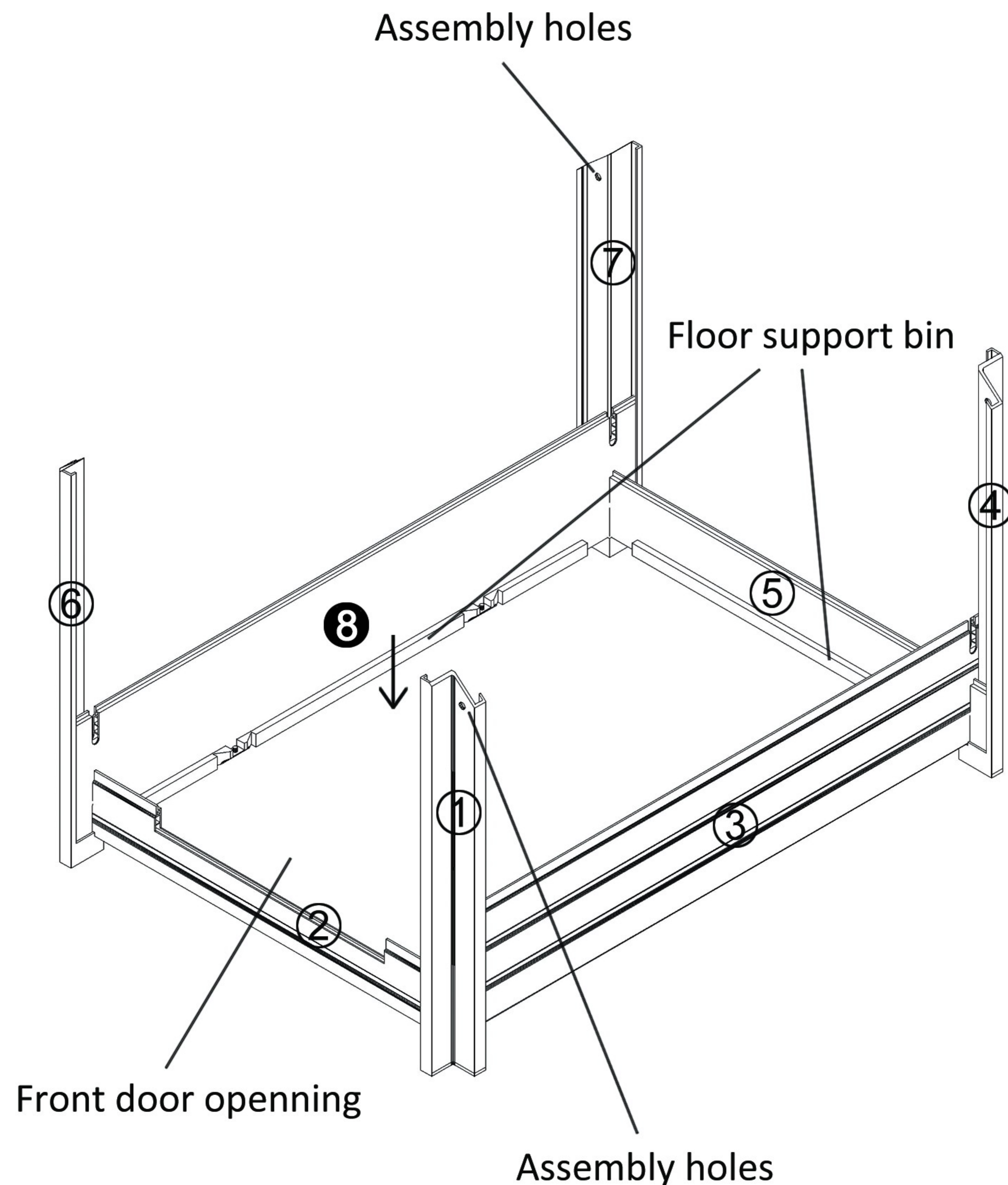
The assembly should look like this at this point. Take a step back and exam the house against the picture shown below. Note the angels on the corner posts should be pointing upward toward the middle of the house.



Step 6.



Step 7.

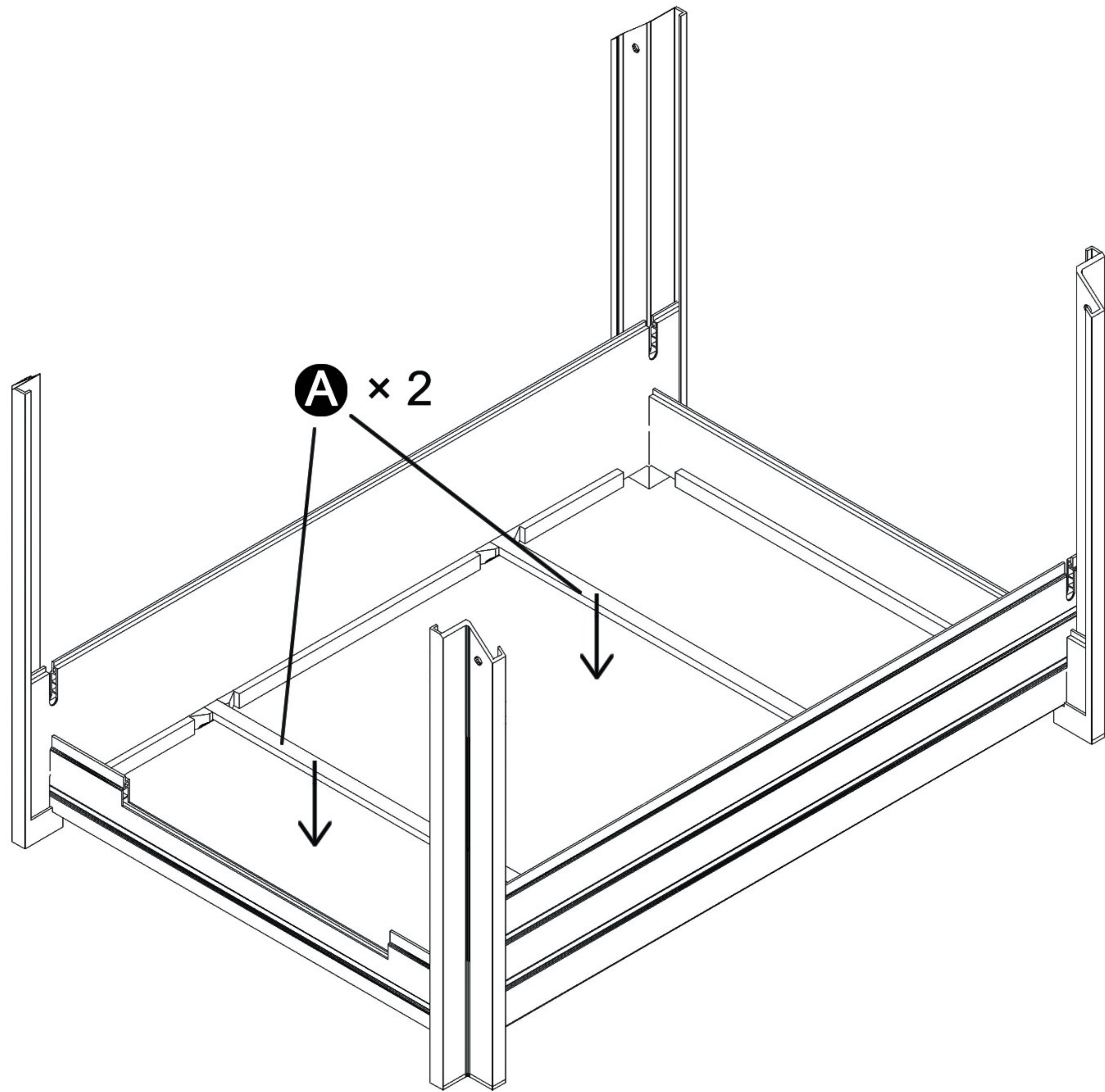


So far you have setup the wall base panels, ②, ③, ⑤ & ⑧; and the 4 column posts. Step back and stand facing the front door open. Do a quick check:

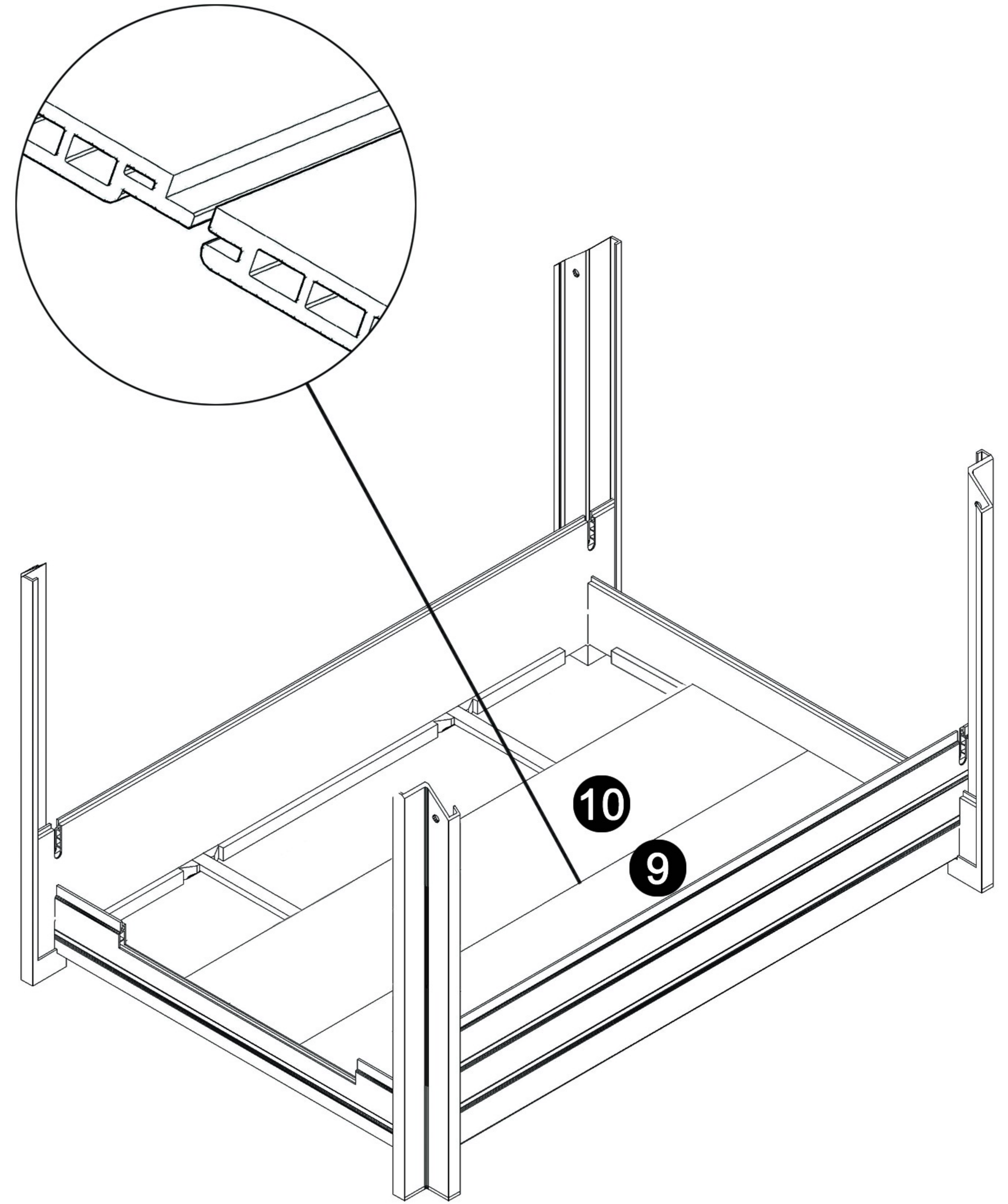
- The FLAT SIDES of the all wall panels are facing inside.
- The floor support beams are located on the lower edge of the flat side of the wall panels.
- The assembly holes on the two front columns ① & ④ are facing forwards; while the assembly holes on the two back columns ⑥ & ⑦ are facing each other.

Once you check all the above, you are ready to move on...

Step 8.

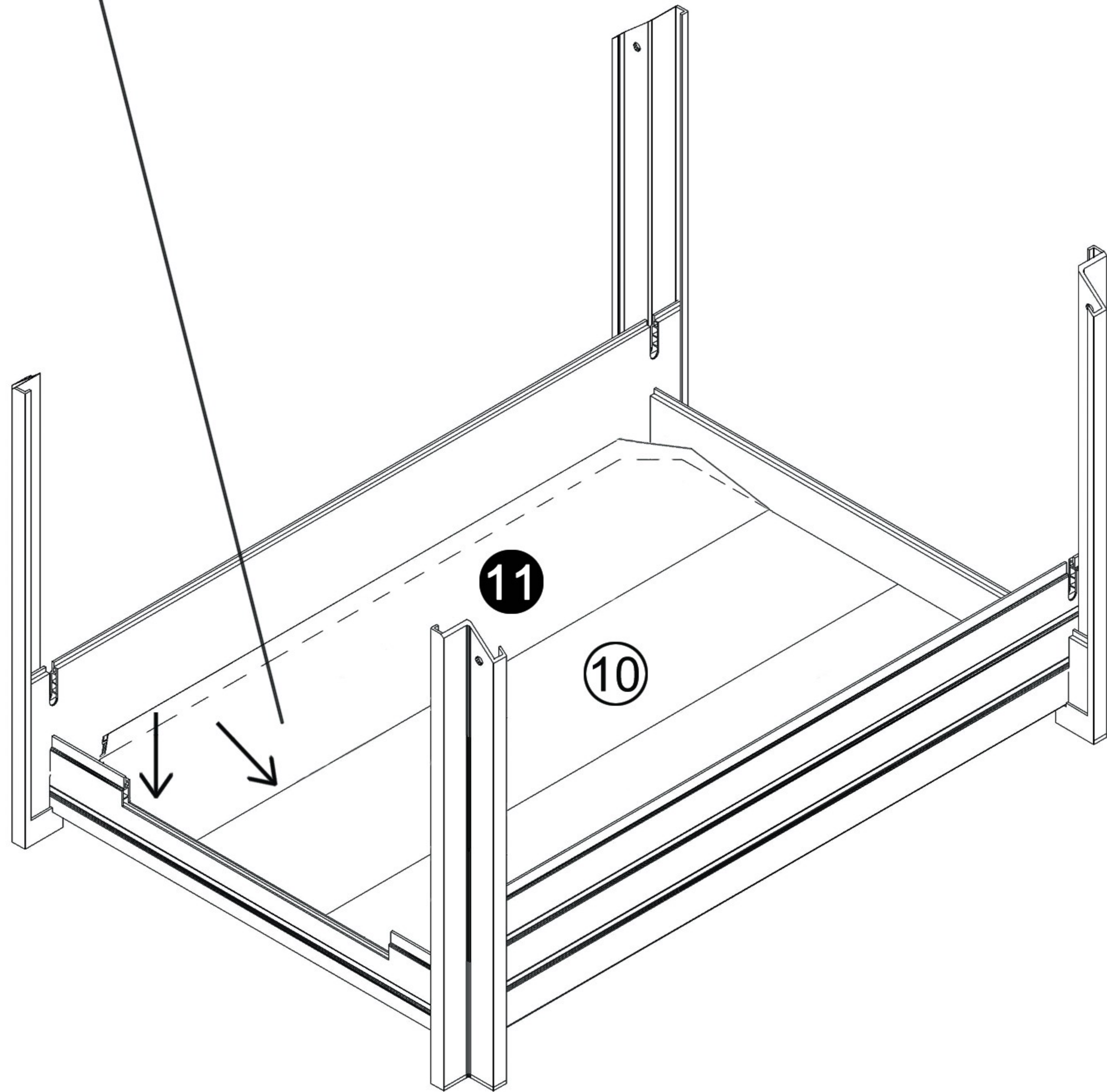


Step 9.

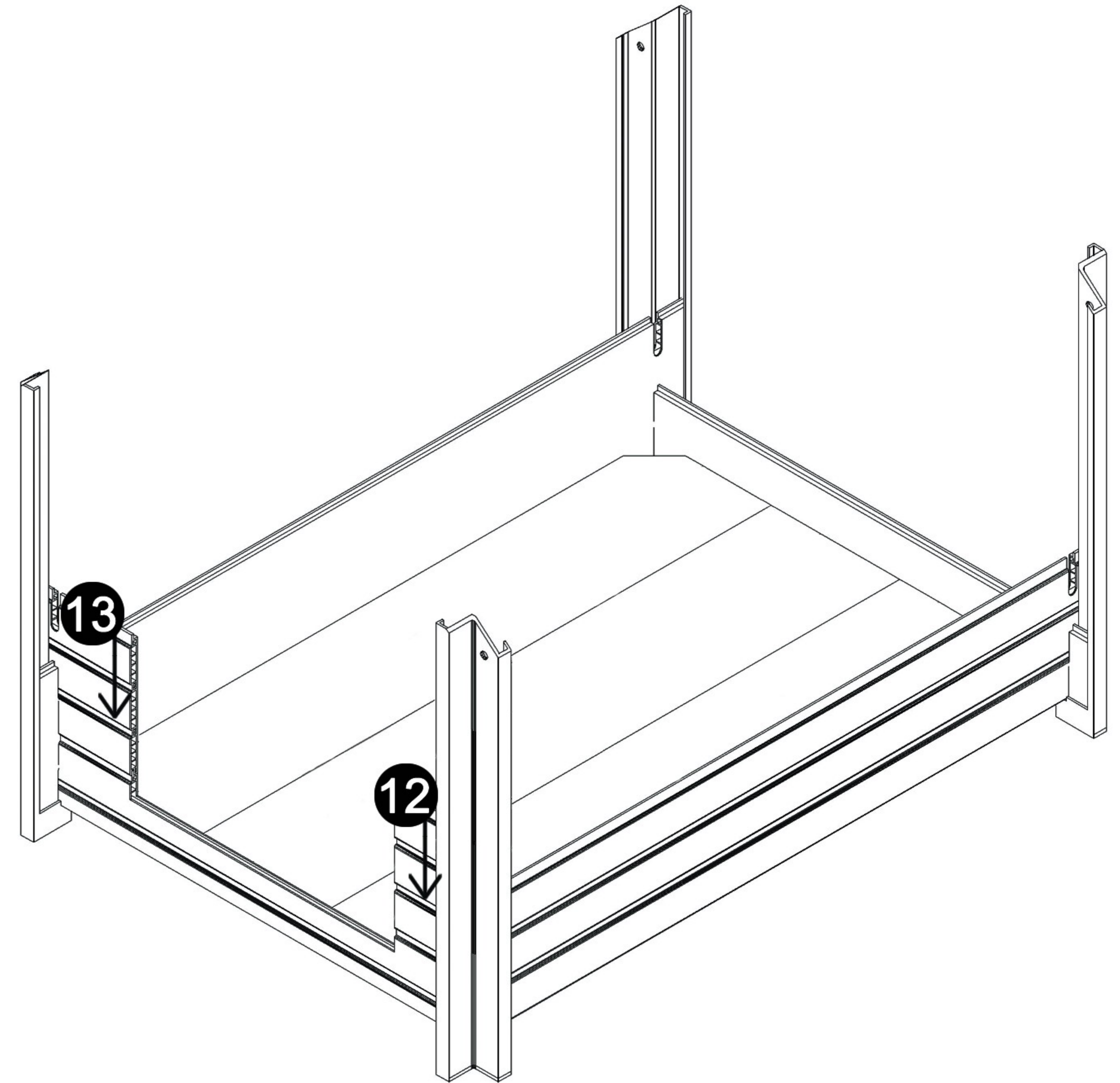


Step 10.

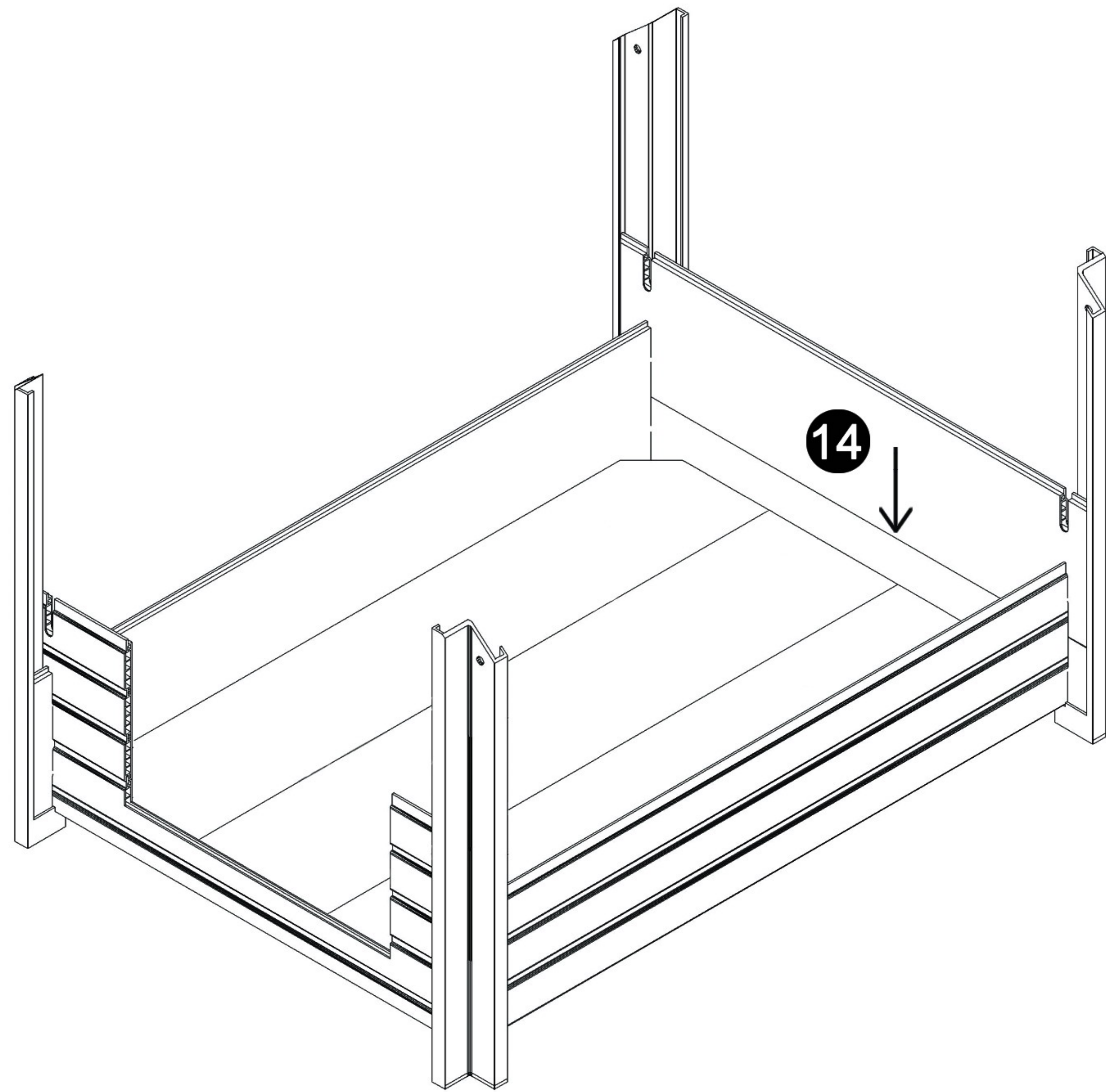
Hold panel ①① at the two corner cutouts. Slightly angle ①① into ①⑩. Release panel ①①, then gently push it down.



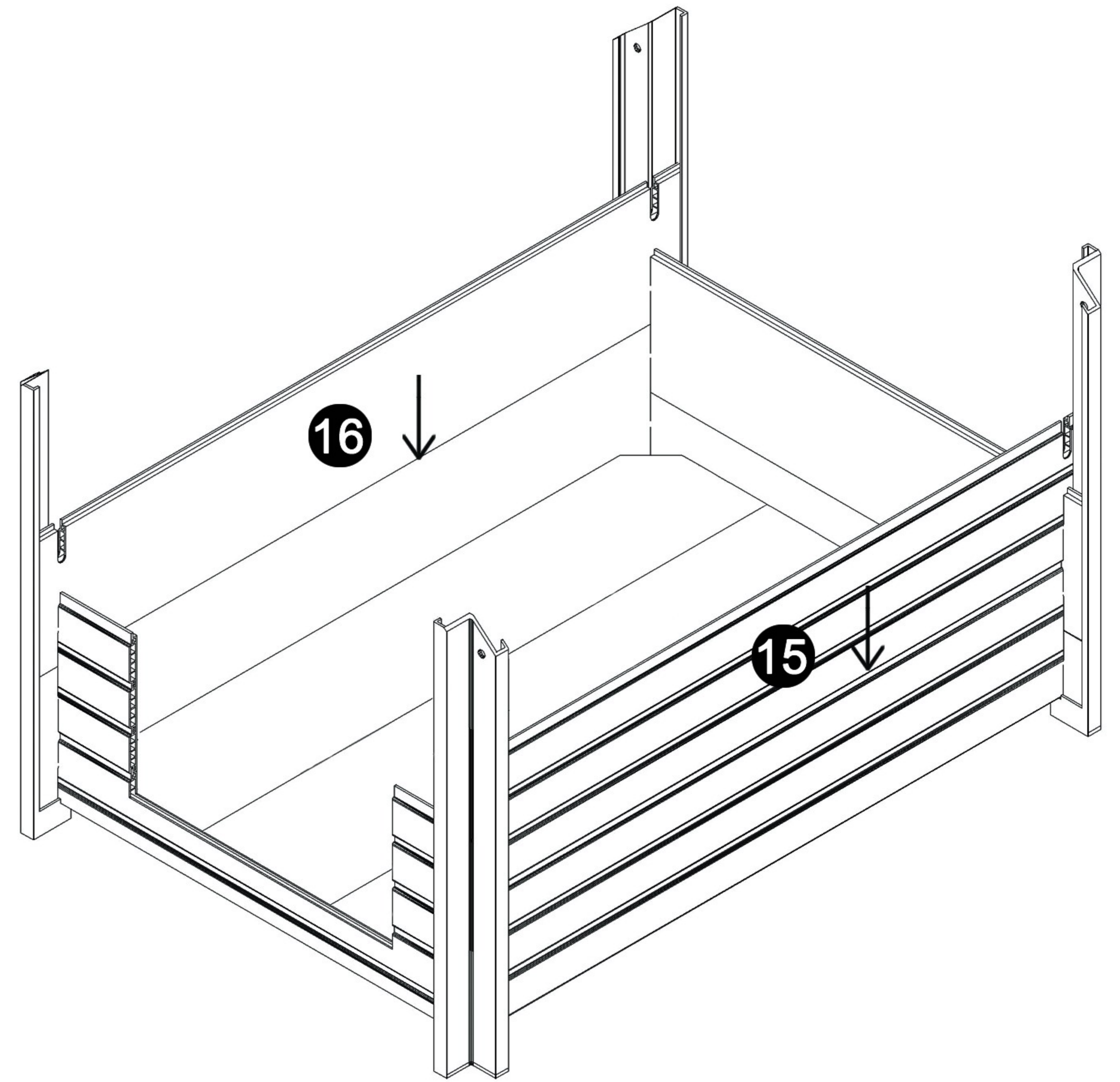
Step 11.



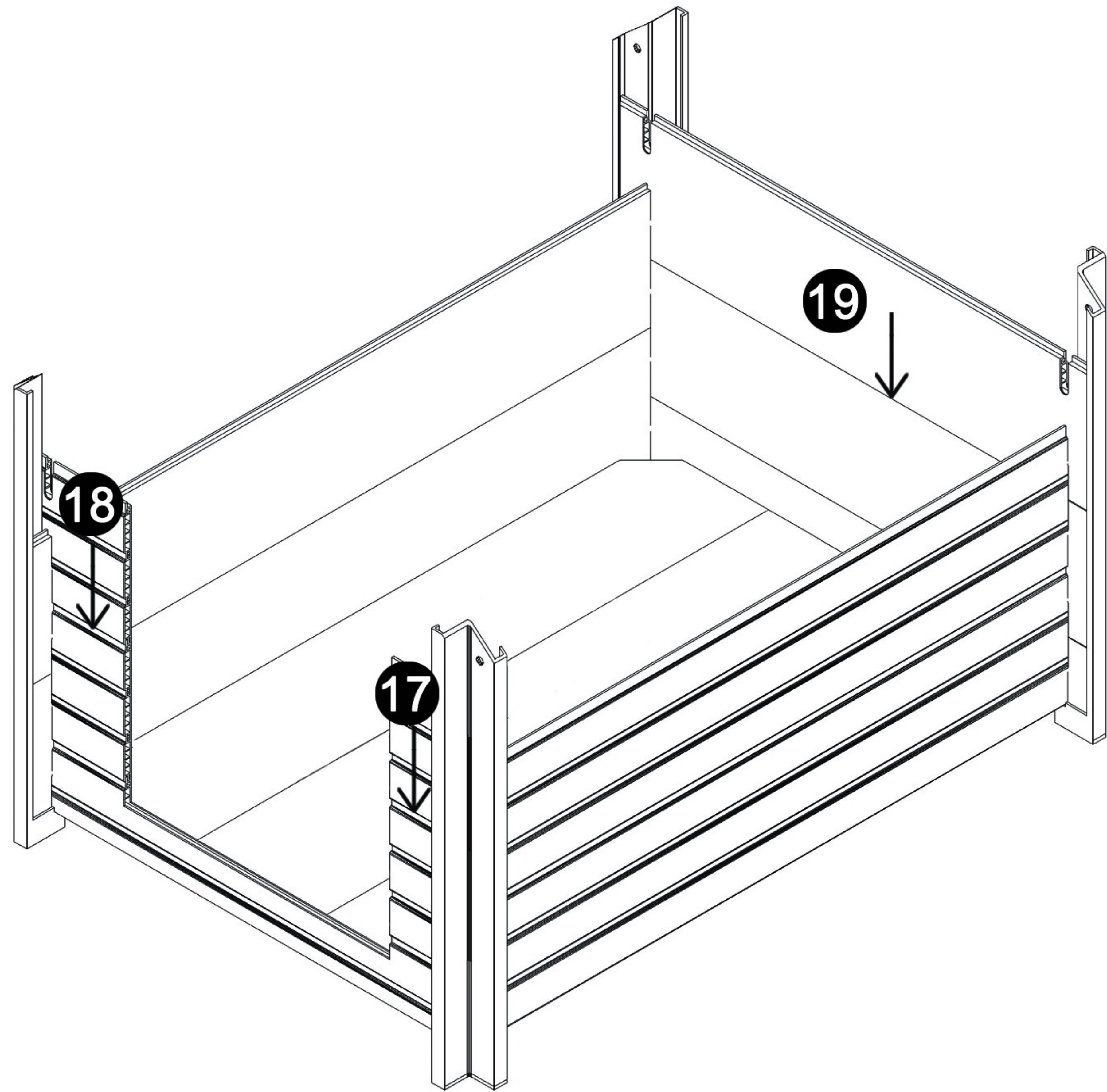
Step 12.



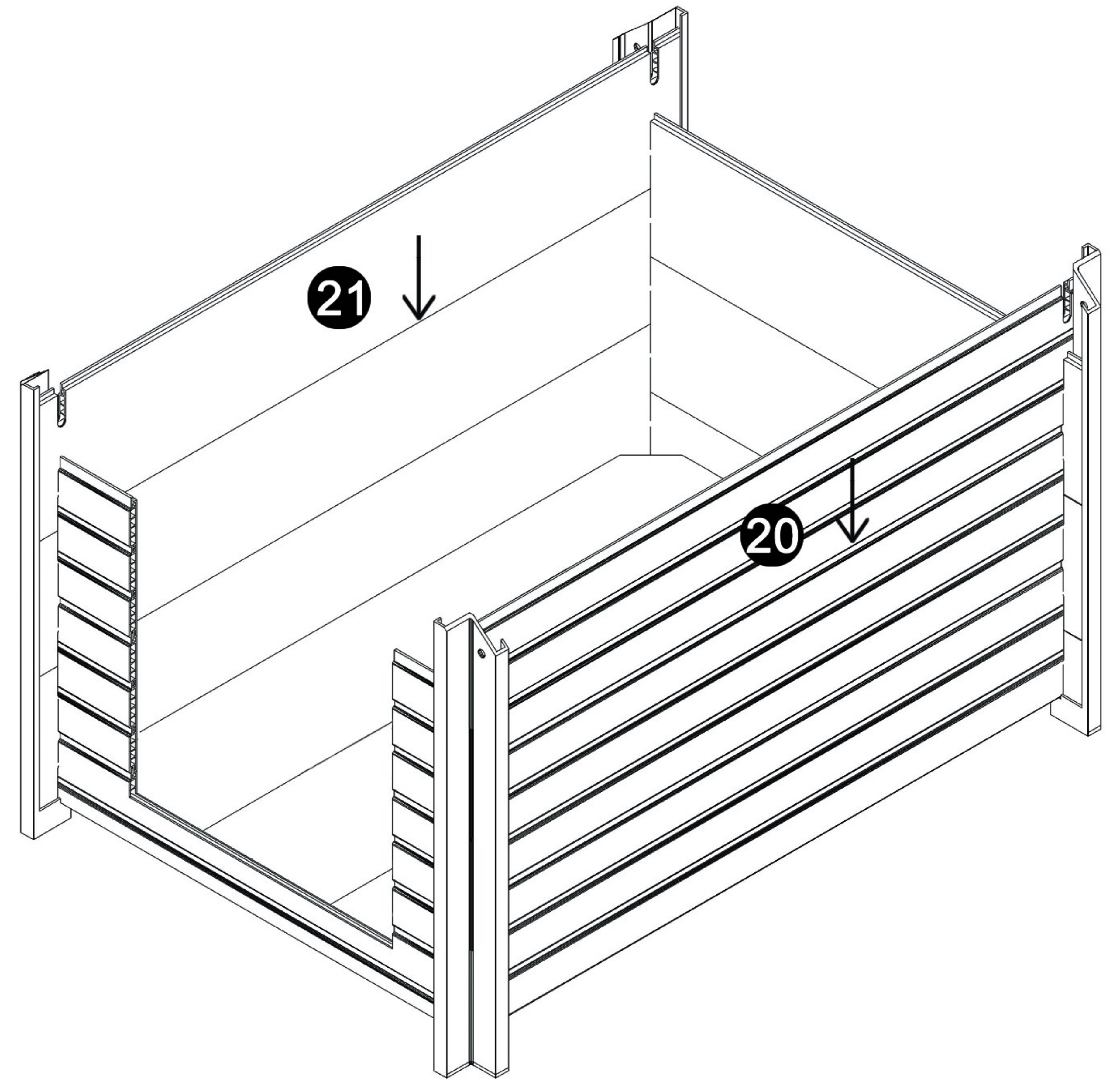
Step 13.



Step 14.

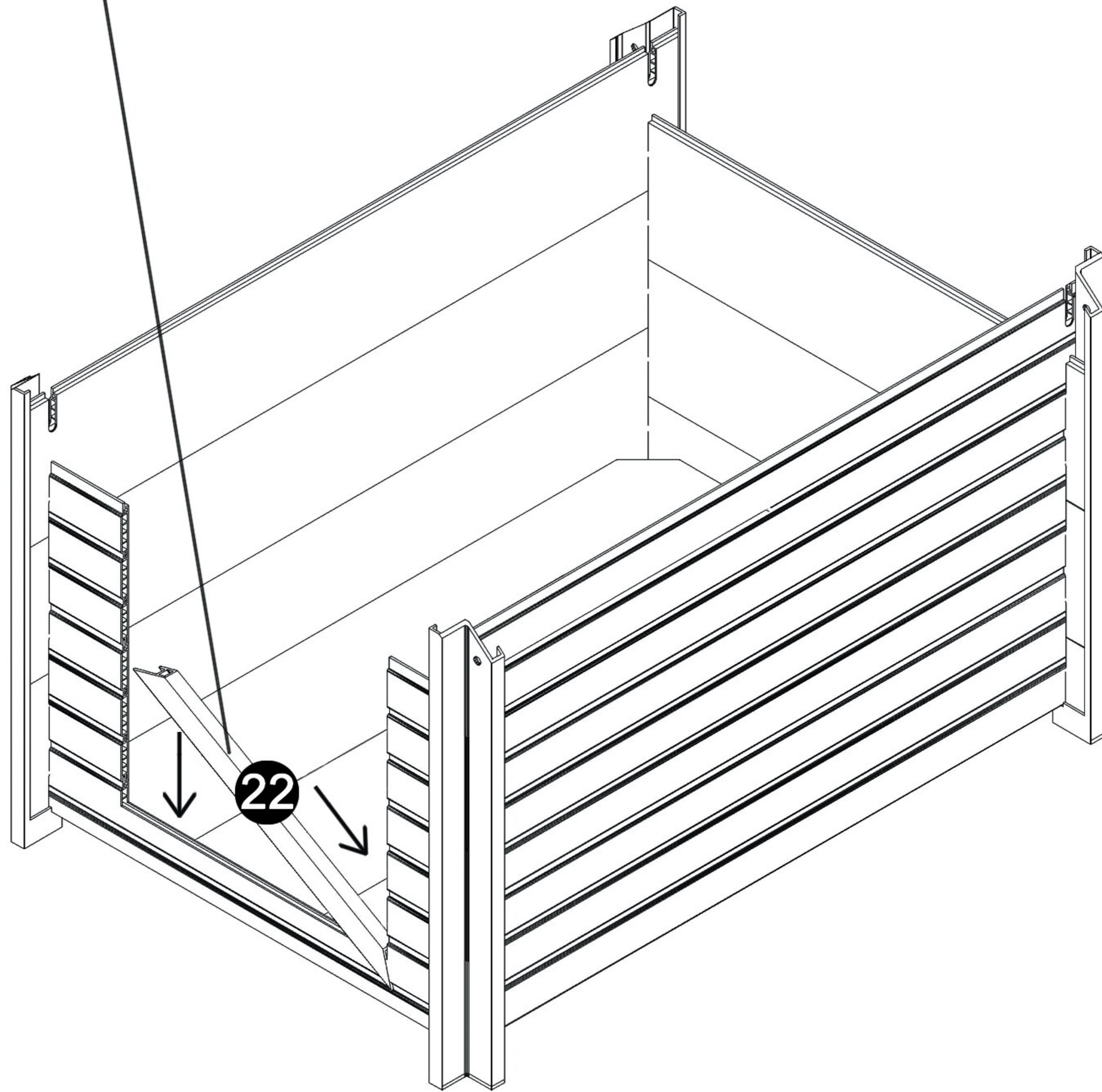


Step 15.

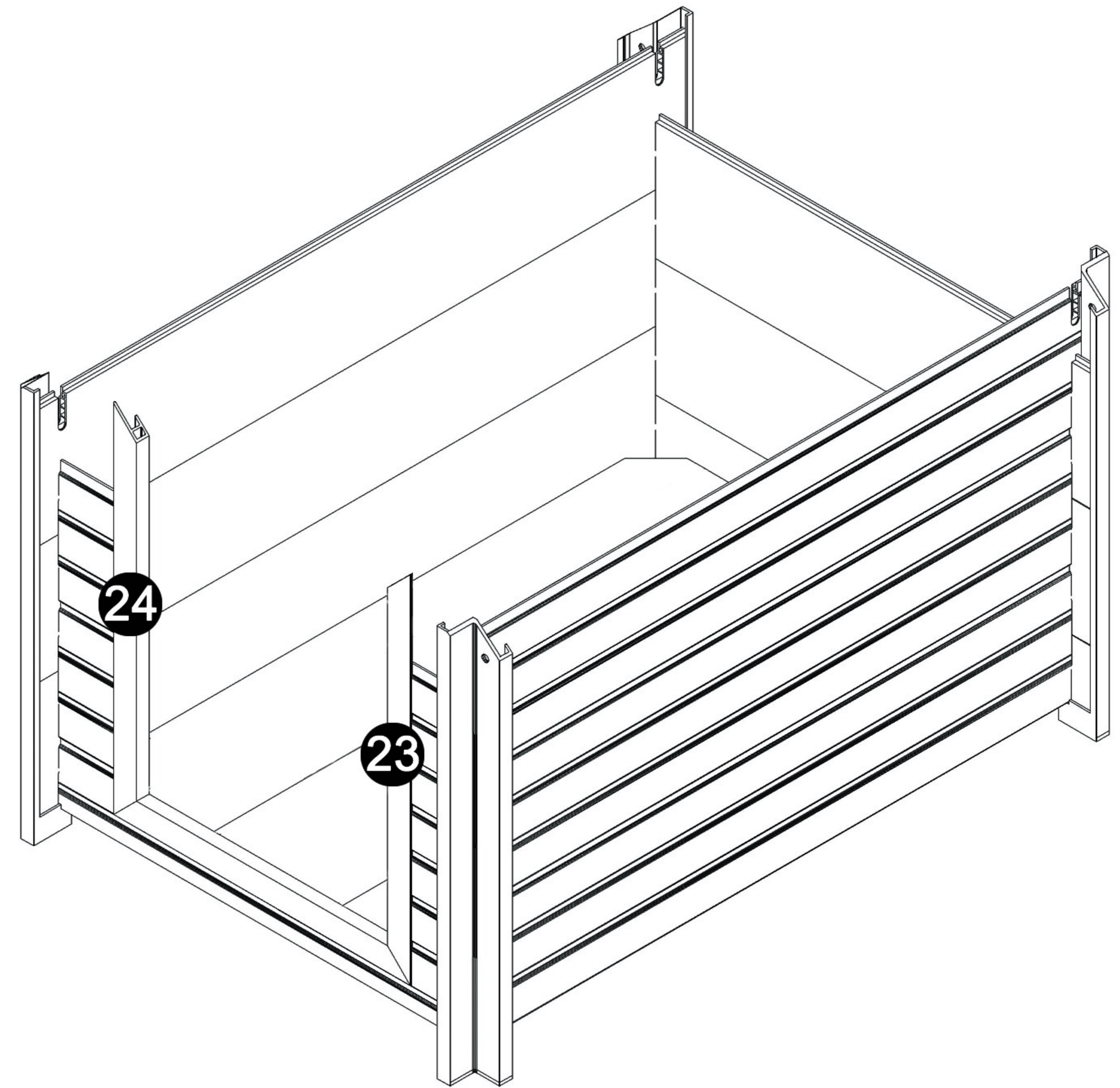


Step 16.

Place door frame (22) into one of the lower corners of the door opening, then push the other end down gently. The side of the frame piece with part # bar code should be facing inside the barn. Same for all door frame pieces.

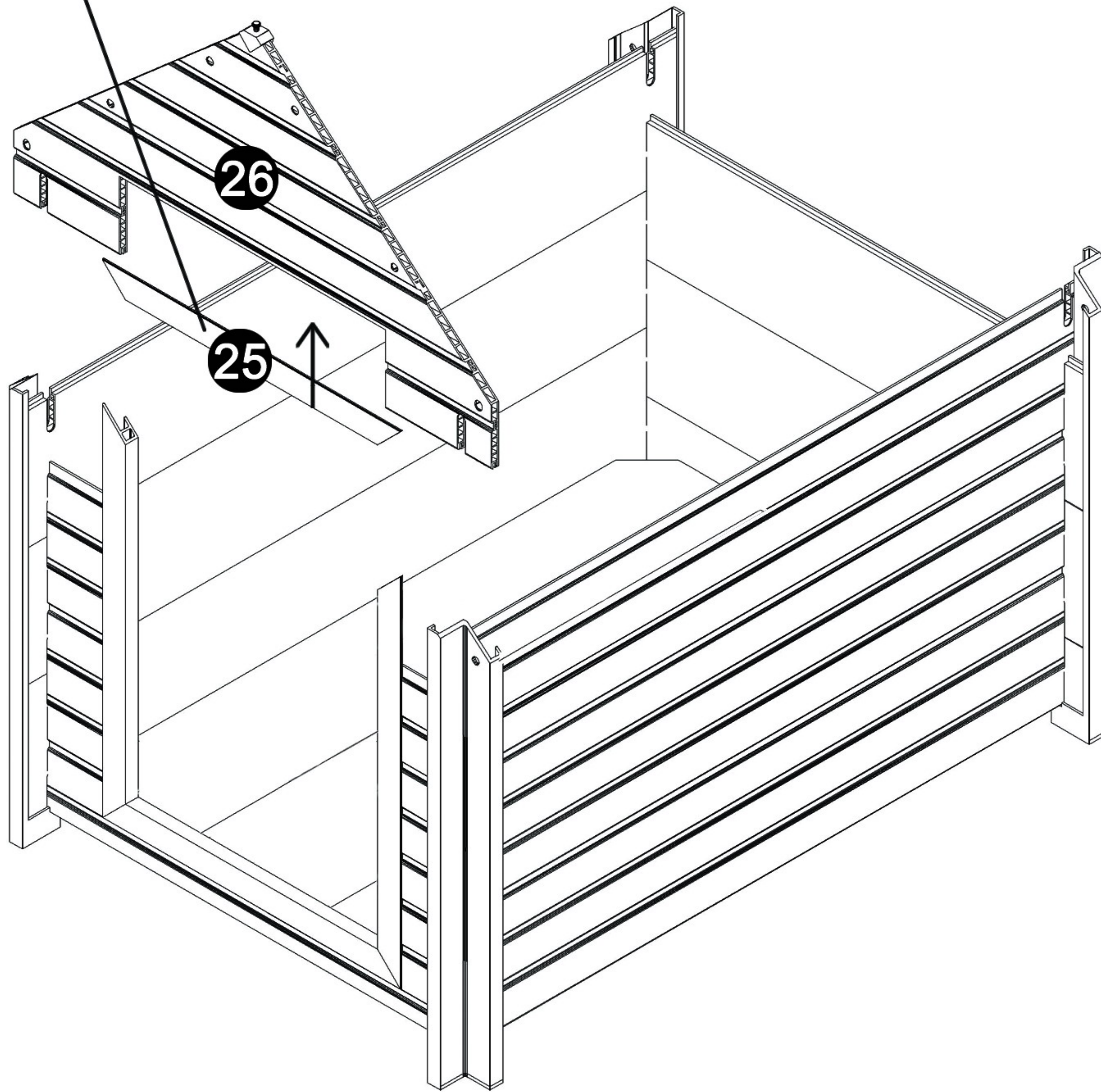


Step 17.



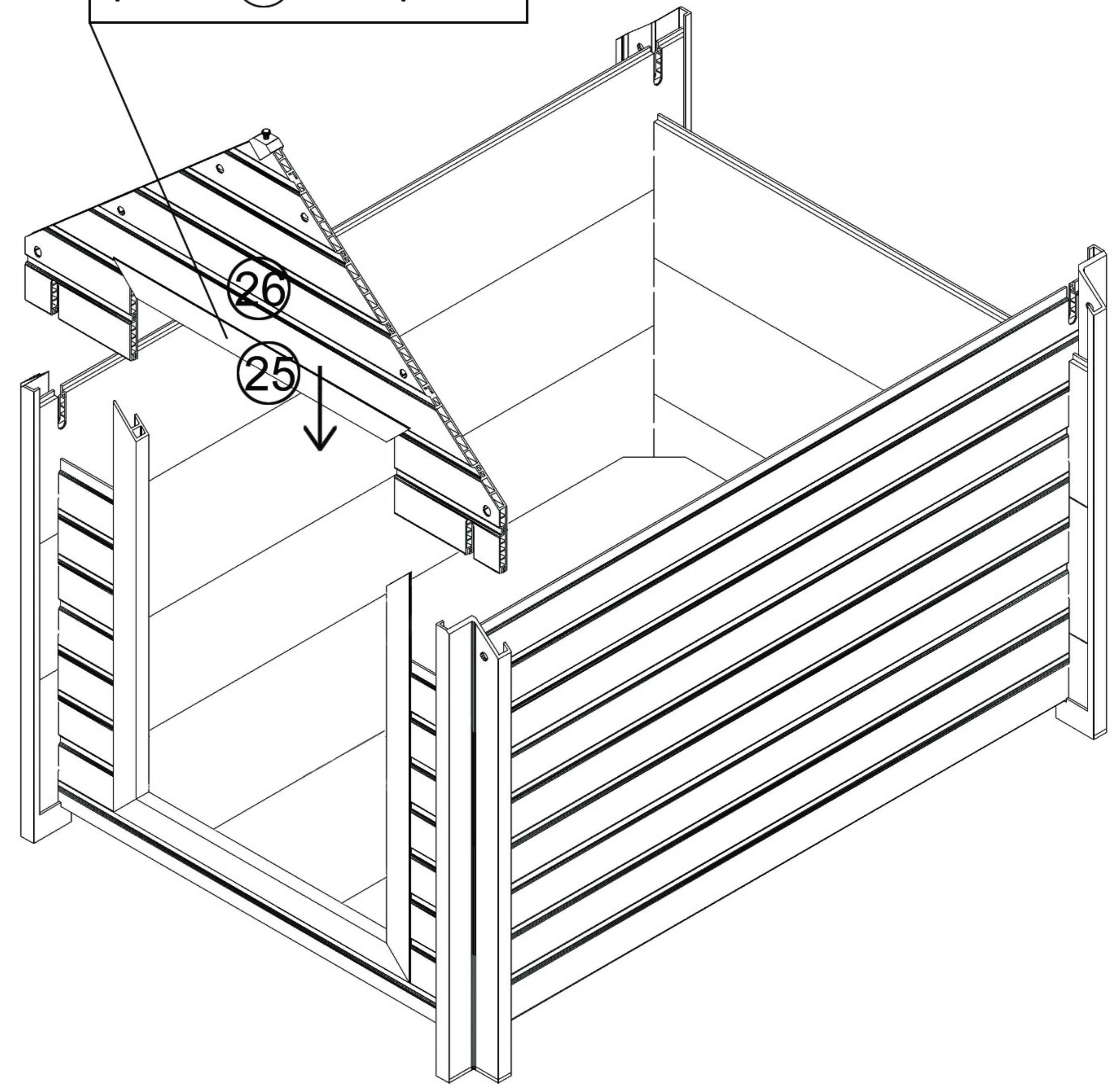
Step 18.

Attach door frame (25) to panel (26) in the same fashion as Step 16.

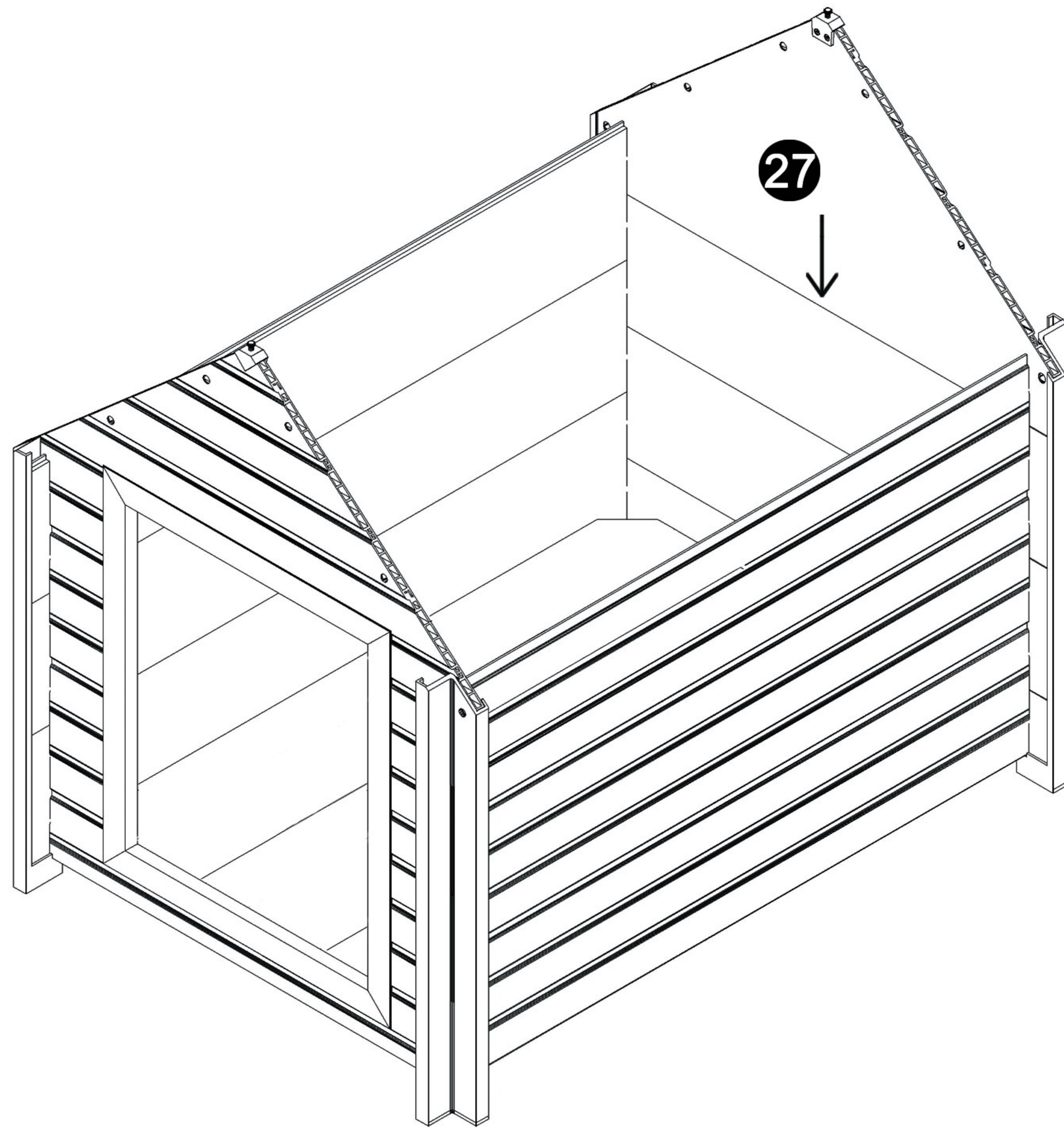


Step 19.

Hold door frame (25) and wall panel (26) together, insert wall panel (26) into place.

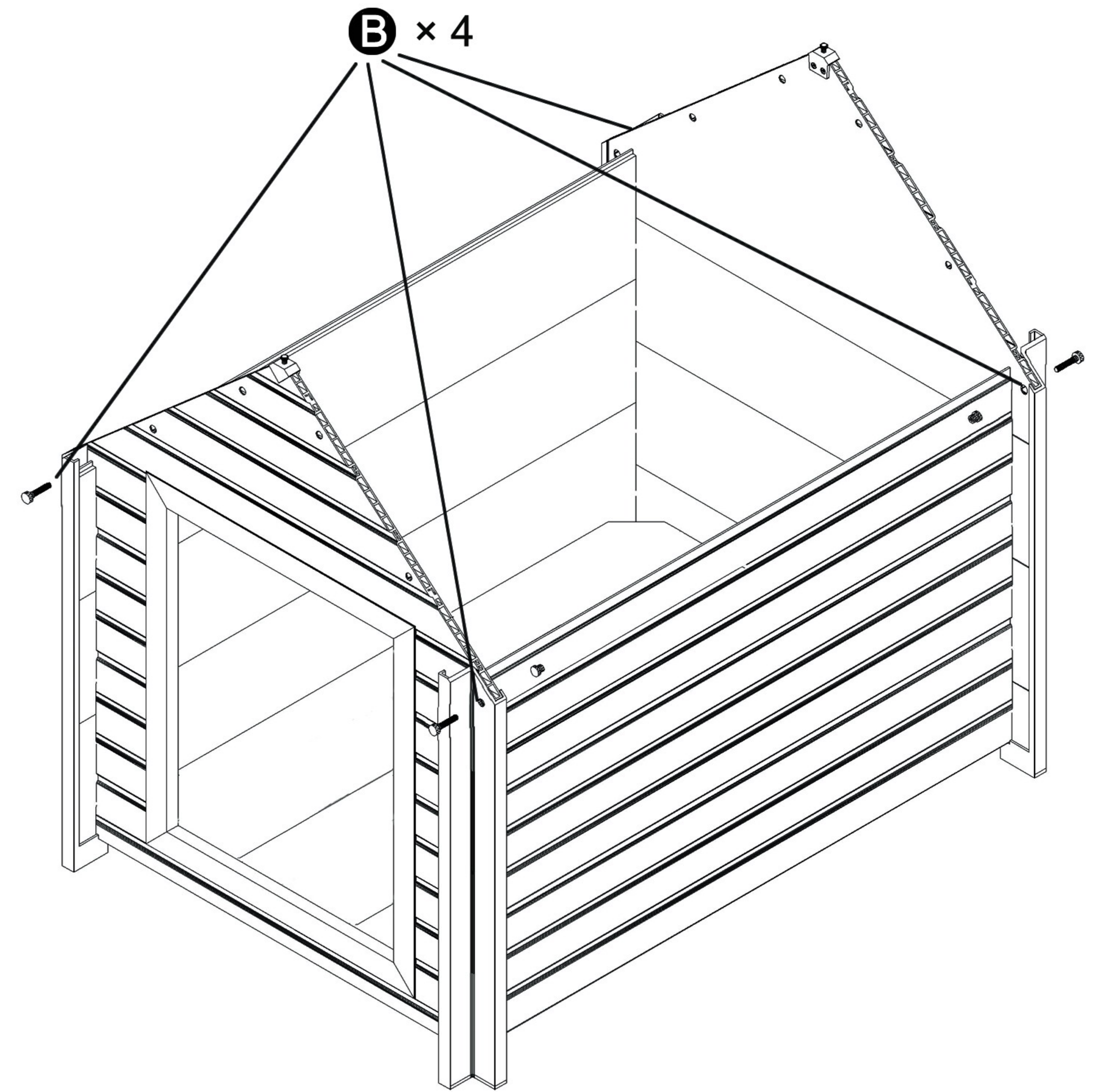


Step 20.



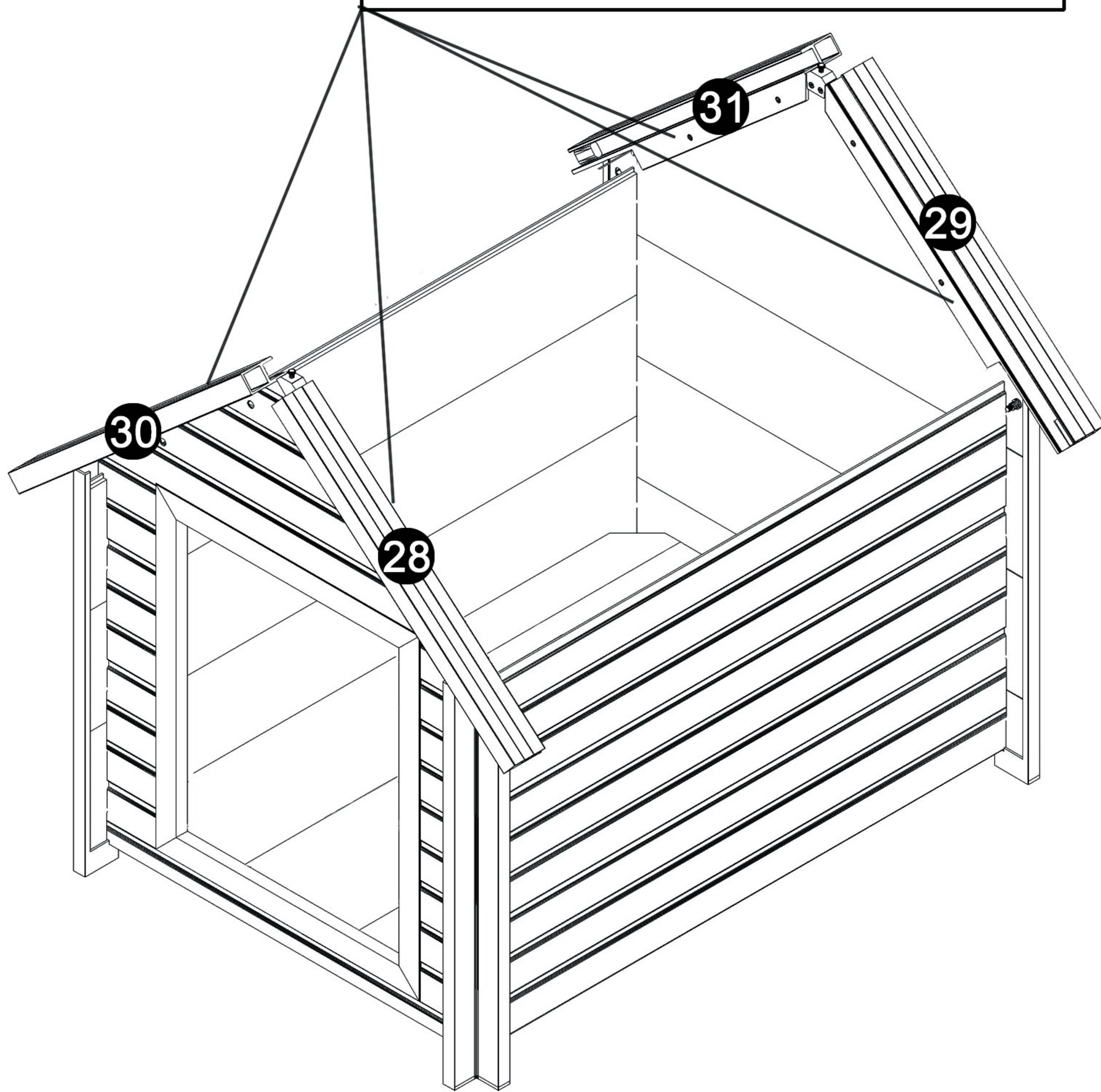
Step 21.

Note: If available, use screws with matching color as the corner posts.



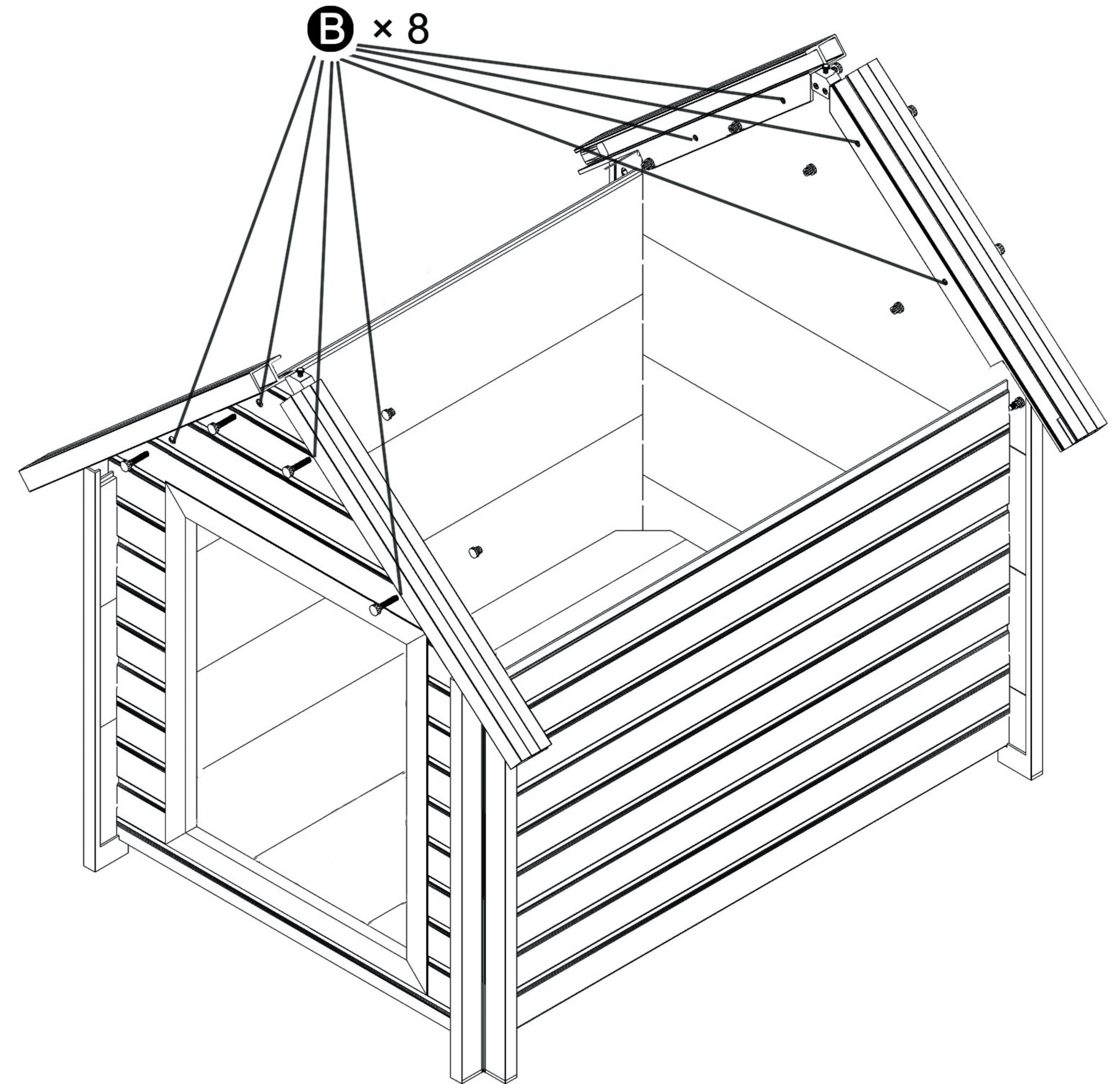
Step 22.

Parts ②⑧, ②⑨, ③① and ③① should be installed with the flange attaching to the inside of the wall panels.



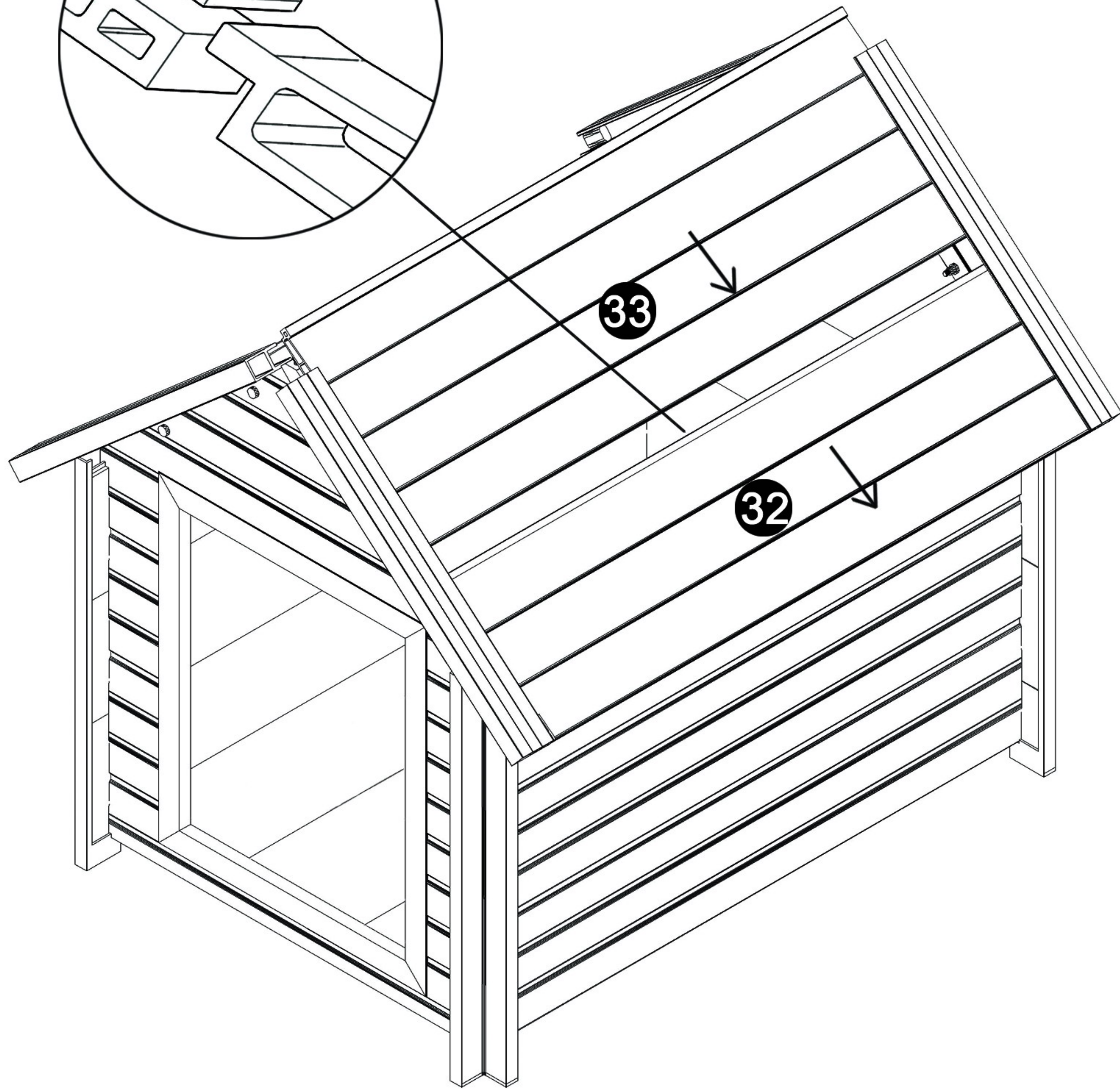
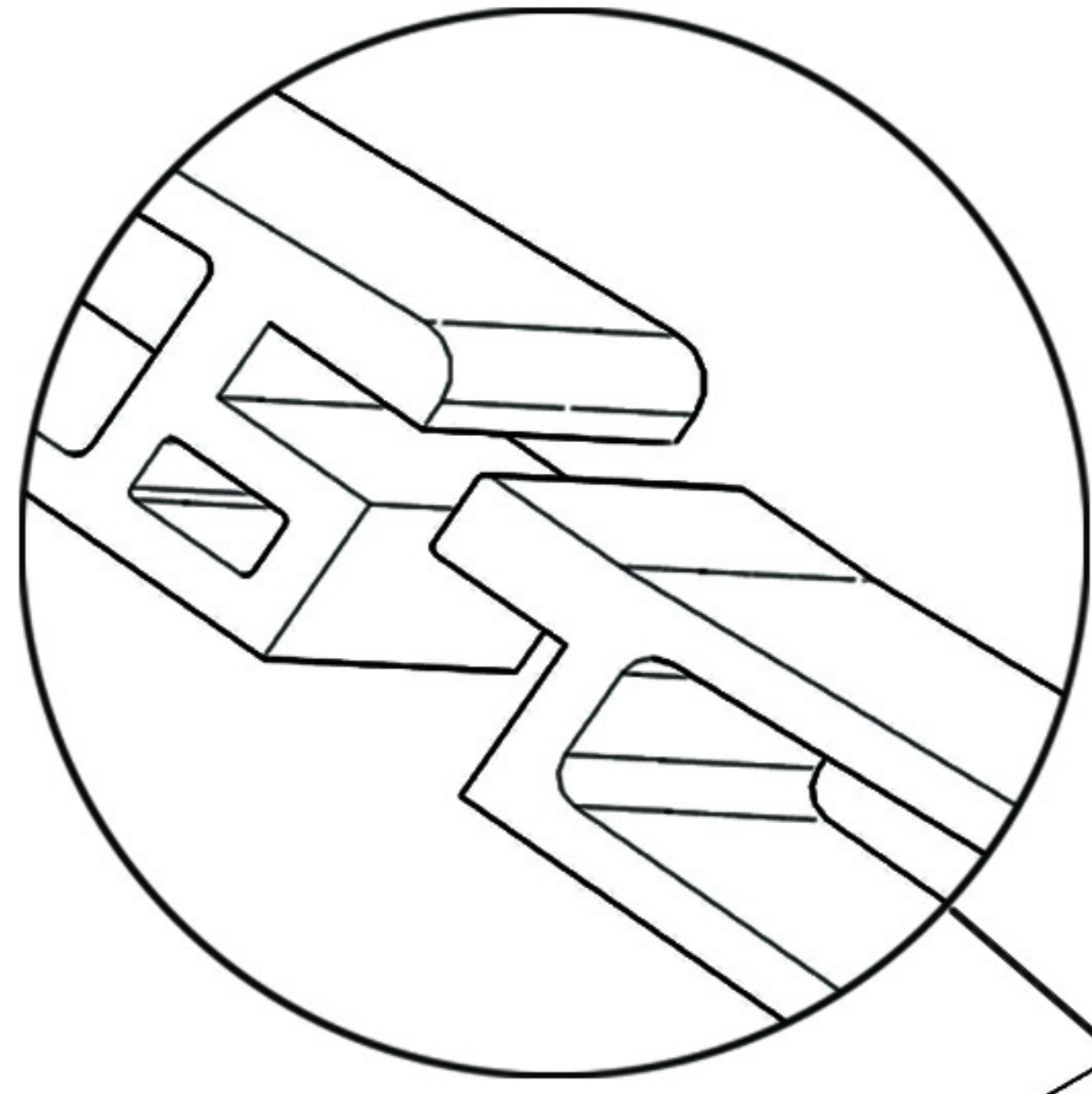
Step 23.

Note: If available, use natural wood color screws to match the wall panels.

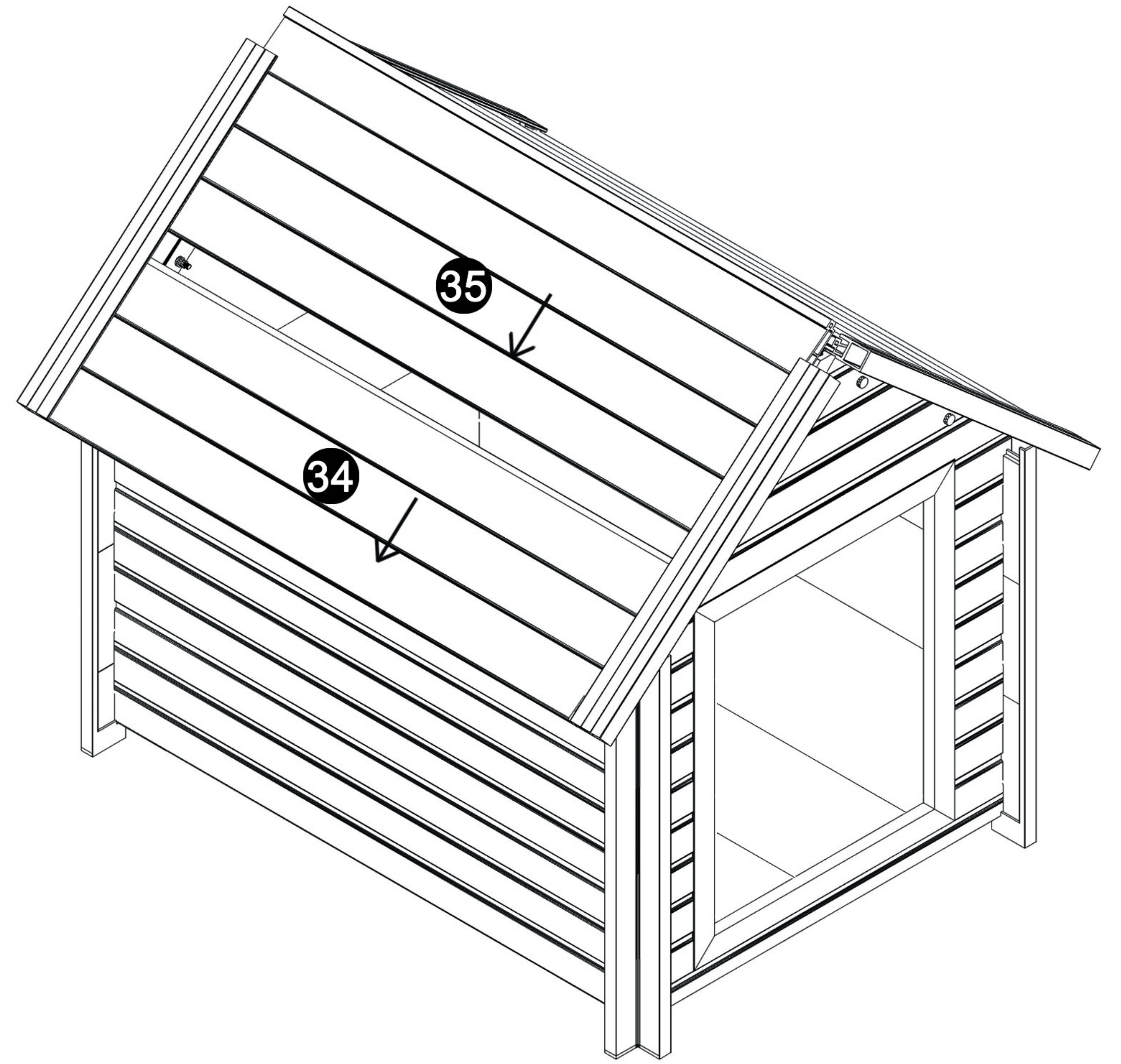


Step 24.

Insert the edge of Part 32 with the corner cutouts first.

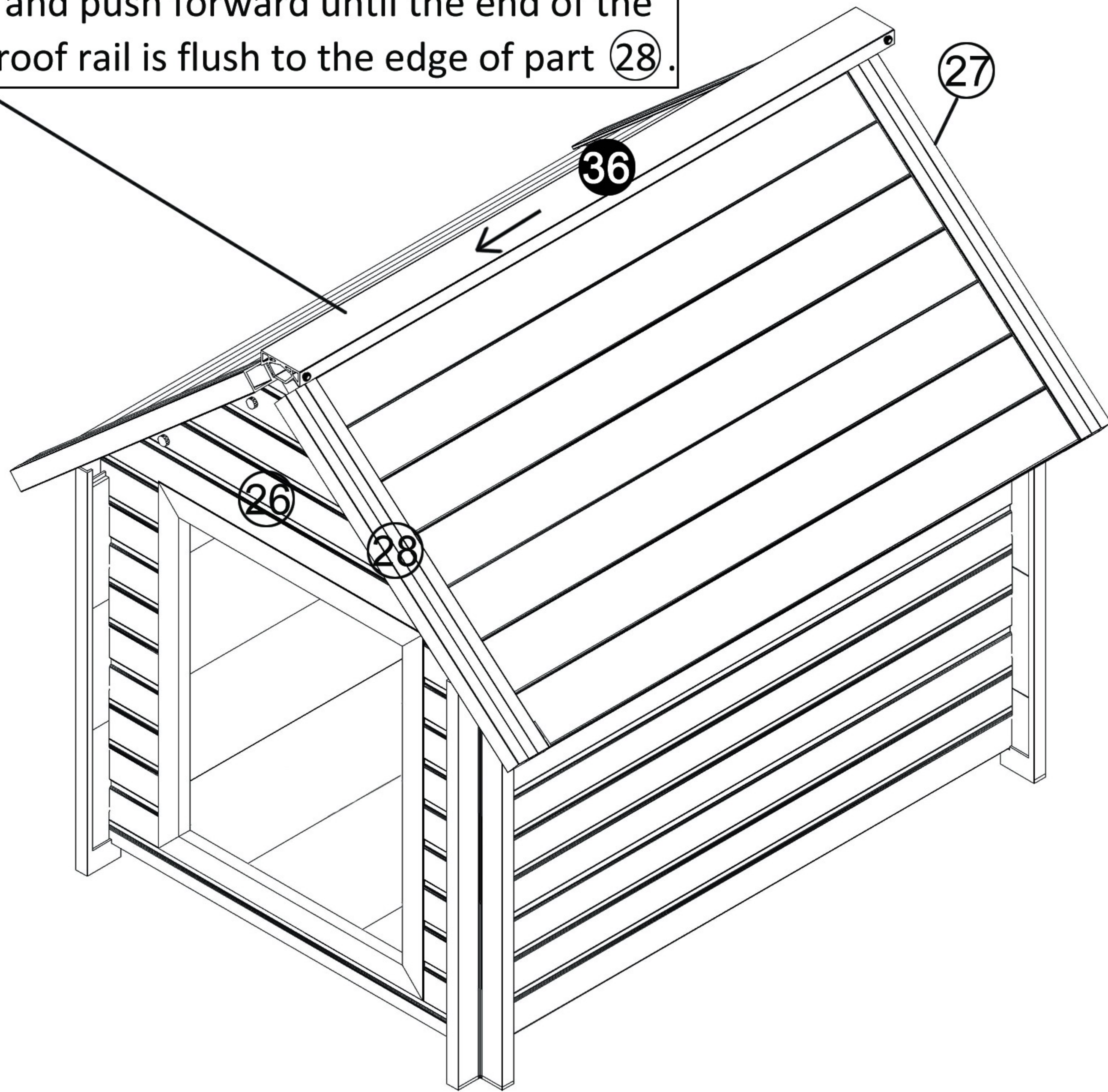


Step 25.

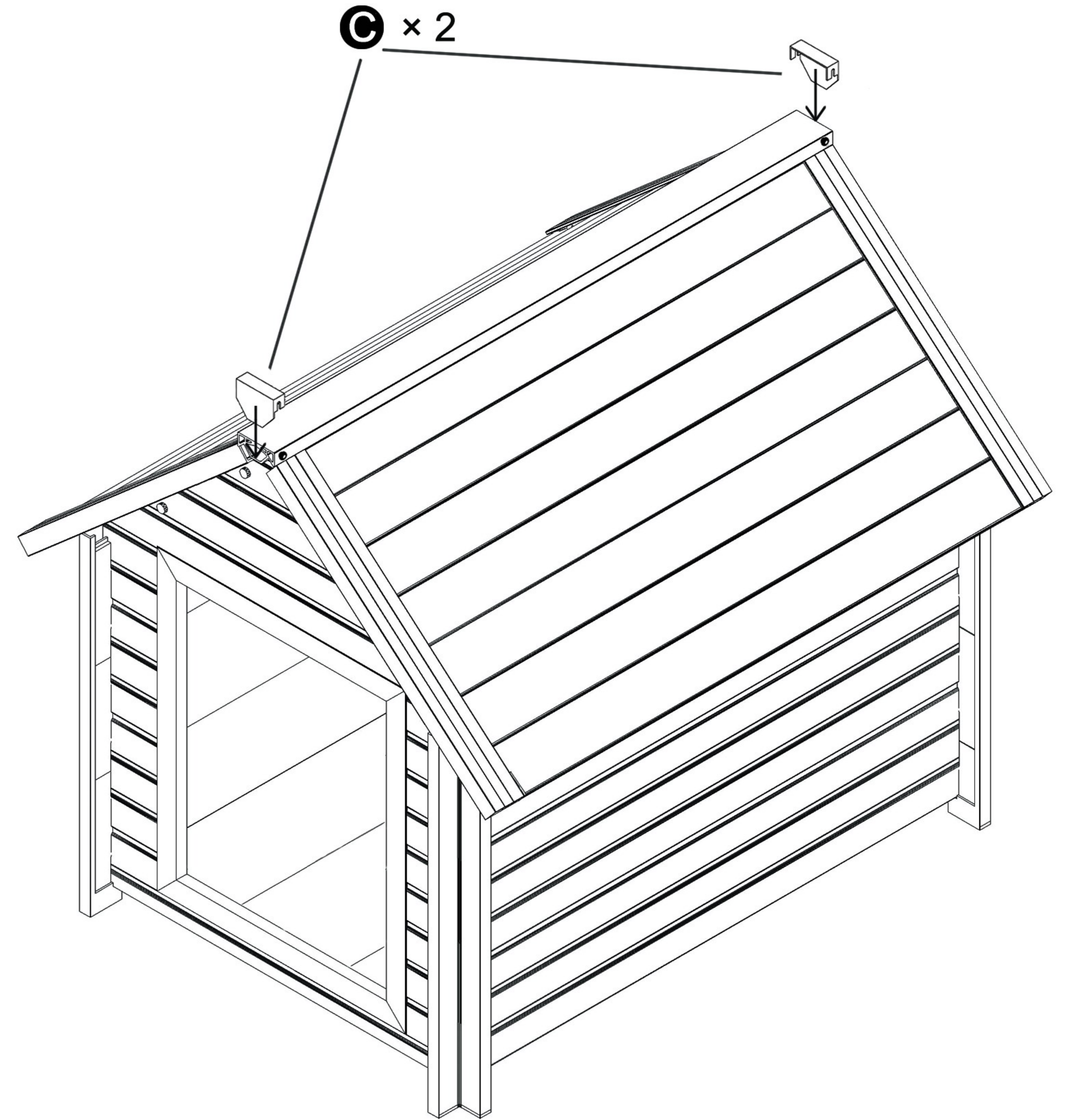


Step 26.

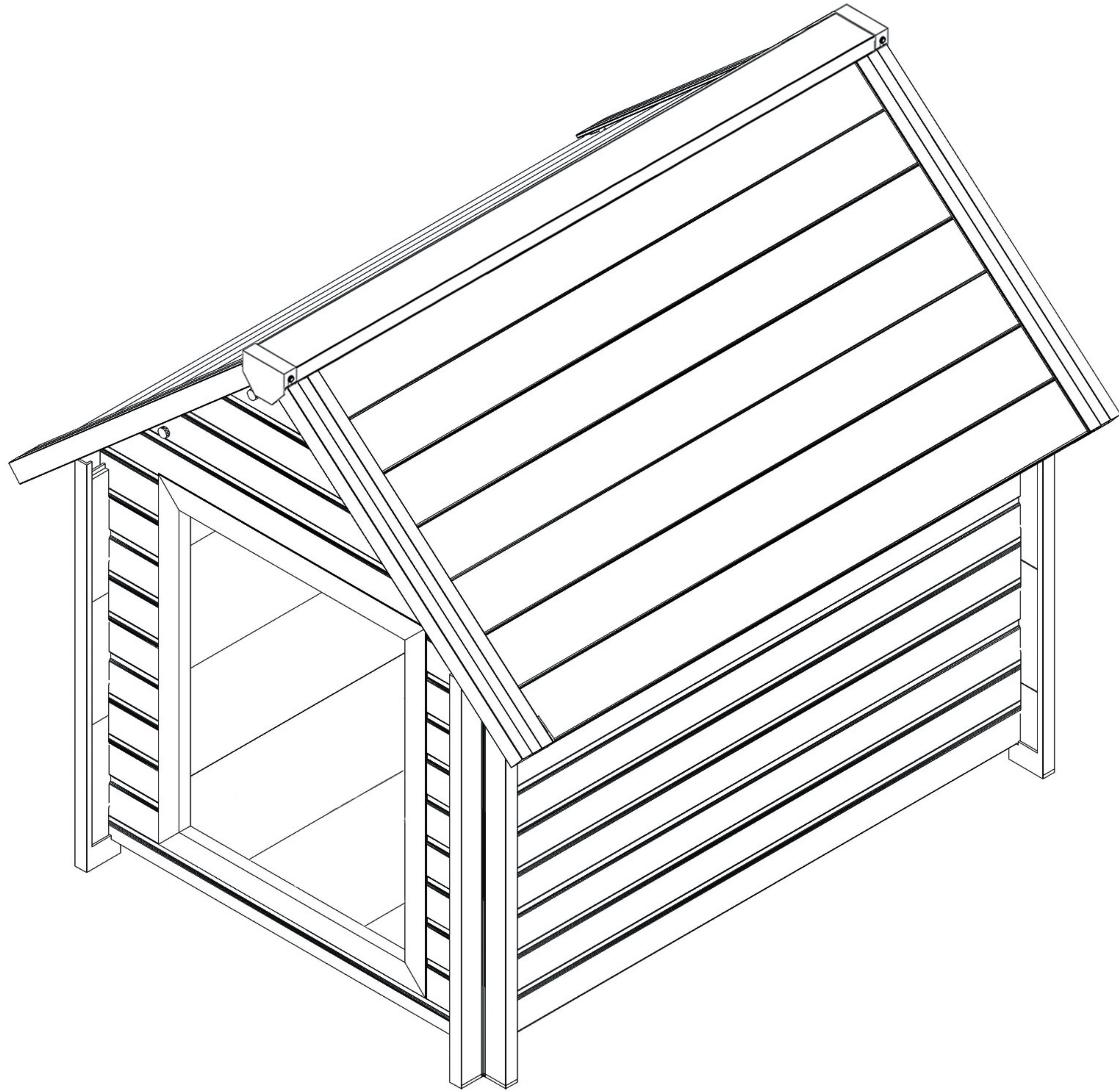
Align the keyhole openings on the roof rail (36) to the metal connectors at the peak of parts (26) and (27). Press down and push forward until the end of the roof rail is flush to the edge of part (28).



Step 27.



Complete



Cleaning Instruction

It is very important to keep the dog house clean for the benefit of your beloved pet. The easy to assembly design of all NewAgePet homes will be appreciated when it is time to clean your pet's home.

Remove one side of the roof panels by reversing the last 3 steps of the assembly instruction. You now have access to the entire inside of the house.

We recommend using a detergent with strong grease cutting capabilities and safe to use around you, your kids and your pet. After washing, rinse and then wipe down the panels. Don't forget to clean the inside of the roof panels. Allow the interior to air dry thoroughly and reassemble.

Once the house is clean and dry, re-assemble the roof panels.

Painting Instruction

- ➔ Tape off all pins/connectors and keyhole slots. Be sure to keep paint off and out of these areas to make assembly easy.
- ➔ Prime all surfaces that you want to paint with a primer that is to be used with exterior latex paint. Priming is not a requirement but it is highly recommended. It will provide better coverage when you apply the paint and your paint job will last longer and look better.
- ➔ After the primer has dried – check the instructions on the primer to determine the time between application of the primer and when it is ready for paint – apply a minimum of 2 coats of a good to better quality exterior latex based paint.
- ➔ You can paint the roof and side panels different colors. As well, the vertical stiles can be a different color than the horizontal field. If you are going to paint, get creative!
- ➔ Allow the panels to DRY COMPLETELY before you assemble the house.

Staining Instruction

- ➔ Tape off all pins/connectors and keyhole slots. Be sure to keep paint off and out of these areas to make assembly easy.
- ➔ Use a good to better quality oil based stain for the job. Let the stain set for about 5-7 minutes and wipe off the excess stain. If the color is lighter than the effect you are looking for repeat until you get the color you want.
- ➔ Allow the panels to DRY COMPLETELY before you assemble the house.



©2016 Pinta International, Inc.