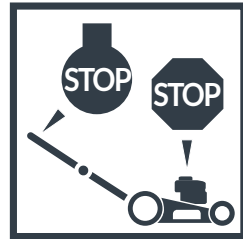


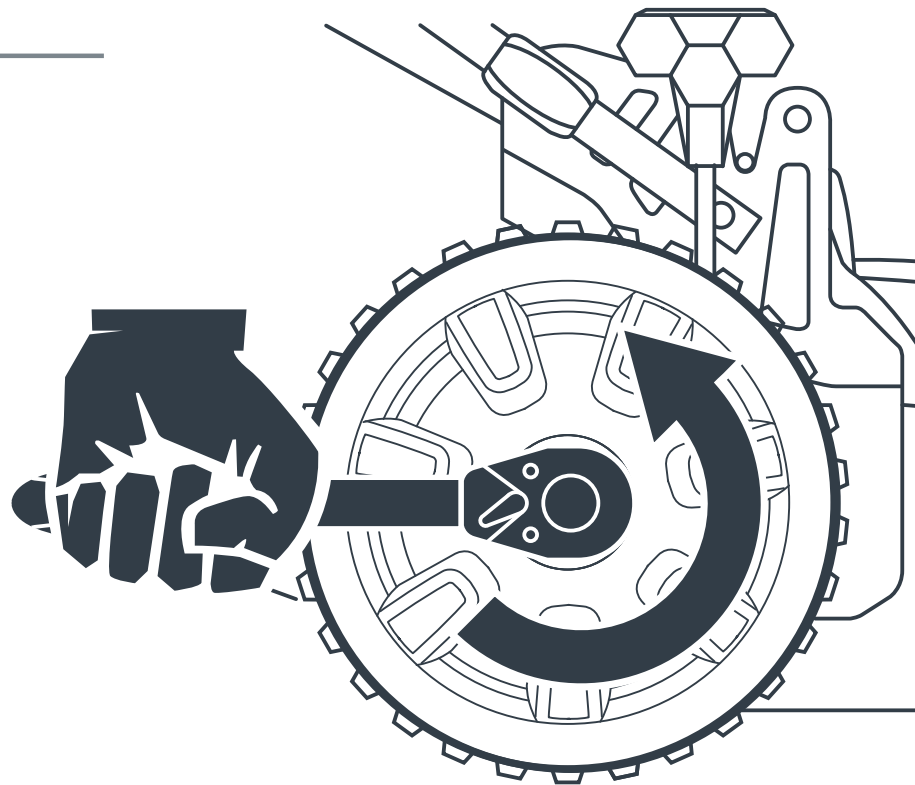
REPLACE THE WHEEL



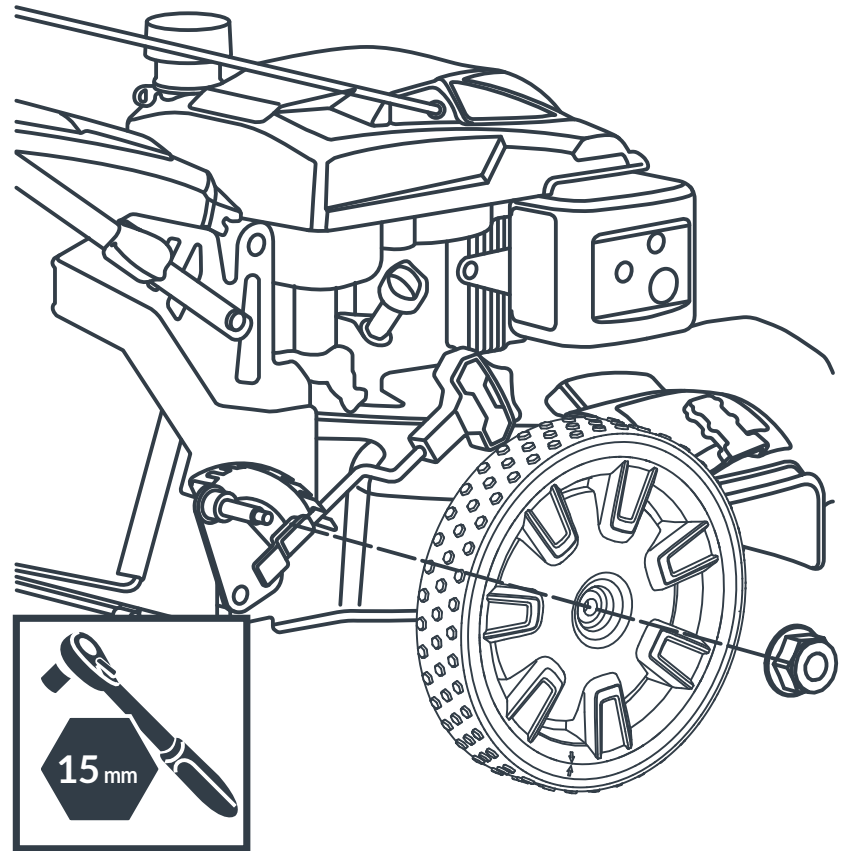
1. Stop the engine and make the machine on a flat surface .



2. Remove the wheel nut and wheel from the wheel axle, using a 15 mm socket wrench.



3. Assemble the new wheel with wheel nut.



**Genuine Yardmax Replacement
Mower Wheel**
