

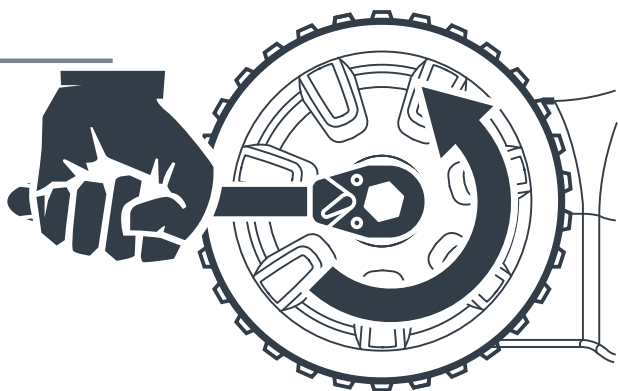
# REPLACE THE WHEEL



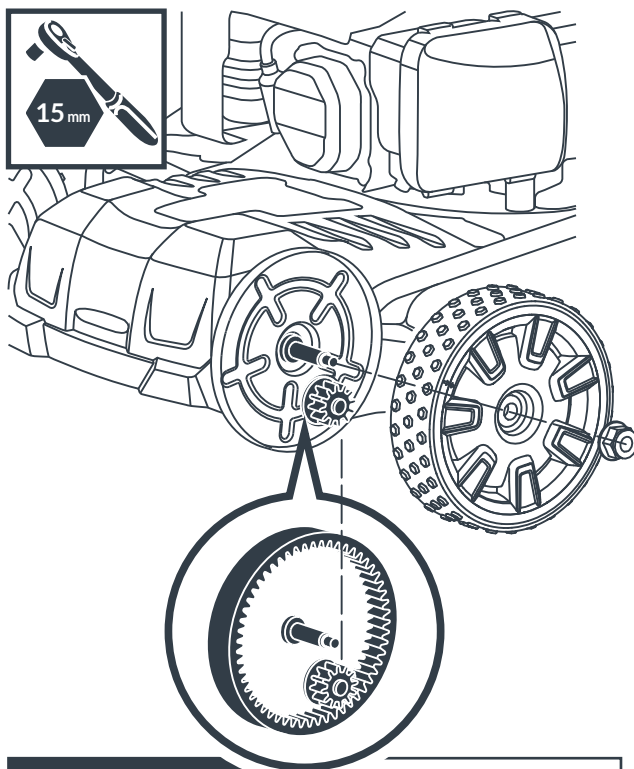
1. Stop the engine and make the machine on a flat surface.



2. Remove the wheel nut and wheel from the wheel axle, using a 15 mm socket wrench.



3. Assemble the new wheel with wheel nut.



**! CAUTION** Make ensure the inner gear ring of the wheel and the gear of the wheel guard are meshed in place.

Genuine Yardmax Replacement  
Mower Wheel