



WALL MOUNTED FAN OWNER'S MANUAL



MODELS	
FB2-50X	10236
FB2-75X	10306

READ AND SAVE THESE INSTRUCTIONS

CAUTION: Read and follow all instructions before operating fan.
Do not use fan if any part is damaged or missing.

WARNING:

- To reduce the risk of fire or electrical shock, do not expose to water or rain.
- To reduce the risk of fire or electrical shock, do not use this fan with any solid state speed control device.
- To reduce the risk of injury to persons, install fan at least 2.1m (7 feet) above the floor.
- Automatically operated device - To reduce the risk of injury, disconnect from power supply before servicing.
- If the power supply cord is damaged, contact your local service center or a qualified electrician to install an appropriate replacement cord to prevent any injury or damage.
- The appliance does not apply to be used in locations where special conditions prevail, such as the presence of a corrosive or explosive atmosphere (dust, vapour or gas).
- This appliance is not intended for use by persons (including children) with reduced physical, sensory or mental capabilities, or lack of experience and knowledge, unless they have been given supervision or instruction concerning use of the appliance by a person responsible for their safety.
- Children should be supervised to ensure that they do not play with the appliance.

RULES FOR SAFE OPERATION:

1. Never insert fingers or any other objects through the grill guard when fan is in operation.
2. Install in interior wall. Not for use in kitchens.
3. Disconnect the fan from its power source when removing guards for cleaning.
4. Be sure fan is mounted at least 2.1m above level.
5. Do not use fan in windows. Rain and moisture may create electrical hazard.
6. Close supervision is necessary when this fan is used near children, the elderly and pets.
7. Do not place the fan near an open flame, cooking or heating appliance, or hot surface.
8. This fan should not be operated outside.

CAUTION: Do not alter the fan's assembly.

WARNING: Be sure that both front and rear guard screws are completely tightened in locking position before operation.

IMPORTANT: Surges in electrical power or excessive heat may cause the fan to turn off. Wait approximately 15 minutes for the fan to resume operation.

WARNING: TO REDUCE THE RISK OF FIRE, ELECTRIC SHOCK, OR INJURY TO PERSONS, OBSERVE THE FOLLOWING.

- a) Installation work and electrical wiring must be done by qualified person(s) in accordance with all applicable codes and standards, including fire-rated construction.
- b) Sufficient air is needed for proper combustion and exhausting of gases through the flue(chimney) of fuel burning equipment to prevent back drafting. Follow the heating equipment manufacturer's guideline and safety standards such as those published by the National Fire Protection Association (NFPA), and the American Society for Heating, Refrigeration and Air Conditioning Engineers (ASHRAE), and the local code authorities.
- c) When cutting or drilling into wall or ceiling, do not damage electrical wiring and other hidden utilities.

INSTALLATION INSTRUCTIONS

The wall fan must be mounted by follow diagram way on 12 inch (300mm) thick dry and cement - grouted firm wall or on 4 by 5 inch wood studs / joists.

Use wall bracket of wall mount assembly as a templet for locating the holes to be drilled on mounting surface.

After determining the hole locations, use an appropriately sized drill bit and, drill holes through mounting surface. Reference acceptable mounting surfaces and appropriate drill bit sizes for application.

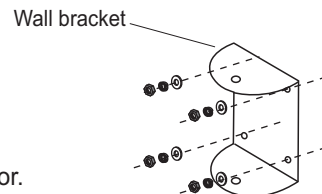
Attach wall mount assembly to mounting surface using hardware not provided. It is recommended that a minimum of grade 5 fasteners be used. The following are acceptable surfaces for mounting wall mount assembly.

STEEL SURFACE - When mounting to a steel surface of sufficient strength, such as a vertical I-beam, drill through holes at pre-marked locations, using a 9/32" drill bit. Attach wall mount assembly to mounting surface using 1/4"-20 hex screw of appropriate length, in combination with 1/4" flat washers, 1/4" lock washers, and 1/4"-20 hex nuts.

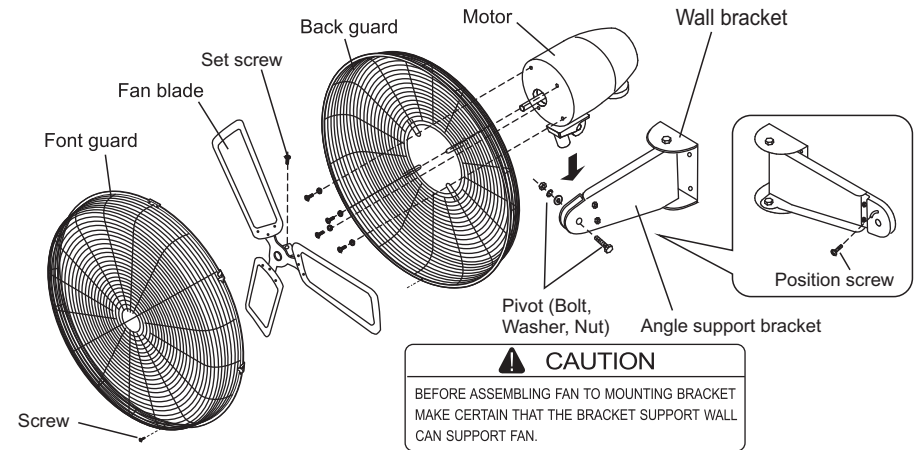
MASONRY SURFACE - When mounting to a masonry surface use a 1/4" expansion type bolt or 1/4" masonry lag with shield. Drill holes at pre-marked locations using appropriate sized drill bit as recommended for fastener.

NOTE: HARDWARE NOT SUPPLIED

1. Install the wall bracket on the strong wall.
2. Install the fan motor on the angle support bracket.
3. Assembling the back guard, blade, front guard to the motor.



ASSEMBLY INSTRUCTIONS



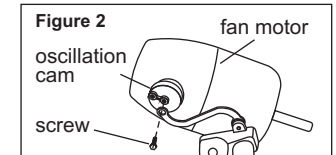
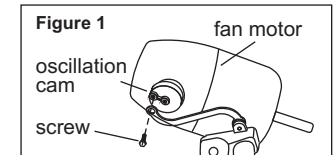
OPERATING INSTRUCTIONS

TO ADJUST AIRFLOW UPWARD OR DOWNWARD:

Loosen the position screw first and then loosen the pivot nut. Tilt motor to the desired angle then firmly tighten the pivot nut first and then tighten the position screw.

SETTING OSCILLATING MODE:

- To oscillate the fan: Loosen the screw on the oscillation rod and move to the end of the oscillation cam. Tighten the screw to lock the position. (See Figure 1)
- To stop the oscillation: Loosen the screw on the oscillation rod and move to the center of the oscillation cam. Tighten the screw again to lock the position. (See Figure 2)



CAUTION: Disconnect from mains before changing the setting.

SPEED CONTROL: Select air speed by setting switch to either high-low-off.

CLEANING

WARNING: Unplug from electrical supply source before cleaning.

1. Use soft damp cloth to clean, then wipe with dry cloth.
2. Do not use a cleaning solution that is harmful to paints or plastics.
3. Do not bend the blades.

RATING

FB2-50X # 10236 120V~ 60Hz 185W 1.5A
 FB2-75X # 10306 120V~ 60Hz 220W 1.9A

For Questions and Assistance, please contact us at:
<http://www.help2uonline.com>