



# Safety Mate

Expandable Pet Gate

## ASSEMBLY INSTRUCTIONS & USER GUIDE



PRIMETIME PETZ®

Manufactured by:

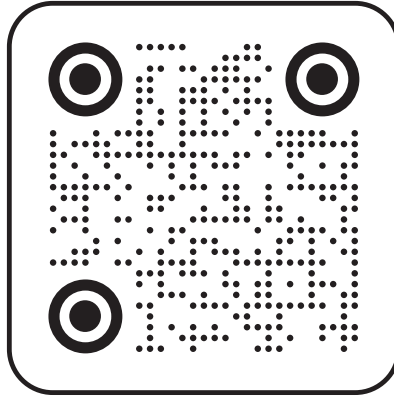
**Primetime Petz LLC**

519 Interstate 30 #119, Rockwall, TX 75087

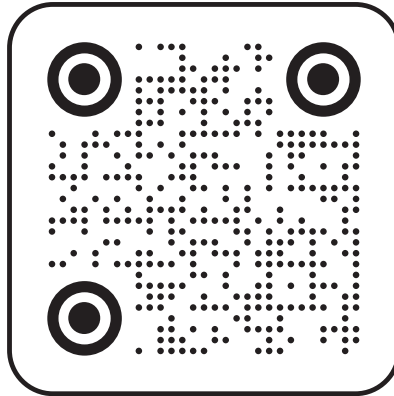
info@primetimepetz.com • 214-257-8068

www.primetimepetz.com

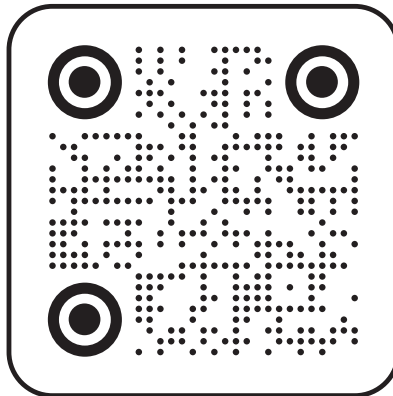
# *Safety Mate Videos*



*Features*



*Assembly*



*Installation*

# Safety Mate

## Expandable Pet Gate

### ASSEMBLY & INSTALLATION INSTRUCTIONS

Important: Keep instructions for future reference. Read instructions thoroughly before assembling and installing gate.

#### WARNING

- Not for use as a child's gate.
- Fits openings from 24.5" to 41".
- The surfaces that the safety gate is to be fixed to must be suitable for the purpose and must be structurally sound.  
NOTE: Do not use this gate if it can't be installed to walls, door frames or posts tightly and flatly.
- This safety gate shall not be fitted across window openings and the like.
- Securely install and operate the gate according to instructions to help prevent accidental injury.
- Do not use the safety gate if any components are damaged or missing.
- Install this gate away from heaters and other sources of heat.
- This gate is intended for indoor use and is not to be exposed to outdoor elements.
- Adult assembly required. Hardware contains small screws with sharp points and small parts that can present a choking hazard. Keep unassembled parts out of reach of small children and pets.
- Do only use original spare parts for this product. Periodically check the security of the fixings and general condition of the parts. Adjust as necessary, referring to these instructions.
- Do not allow older children to climb over this gate as this may pose a danger.
- Please make sure the barrier is properly closed after each use.

#### RECOMMENDATION

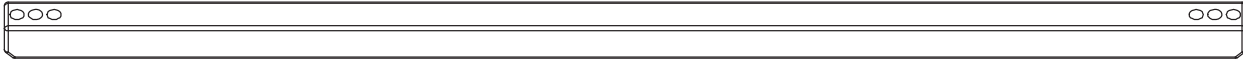
Mist the gate with a bitters-type serum regularly to discourage chewing.

#### CARE OF YOUR PRODUCT

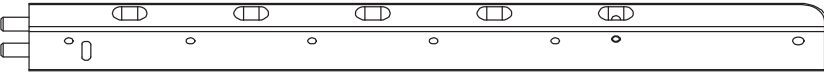
- No part of the gate requires lubrication.
- Clean the gate using warm water and a mild detergent.
- Never use solvents, chemicals, scouring powders or sharp tools in connection with cleaning the gate.

# PARTS

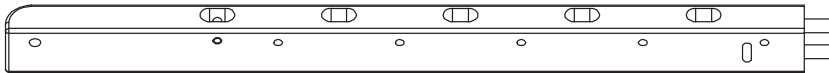
**A** 2x FRAME SIDE



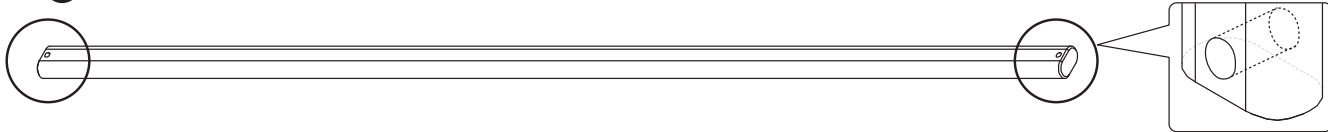
**B** 2x FRAME BOTTOM



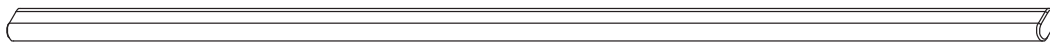
**C** 2x FRAME TOP



**D** 2x DRILLED VERTICAL SPINDLE



**E** 8x VERTICAL SPINDLE



**F** 4x METAL PIN



**G** 4x BINDING BARREL



**H** 4x BINDING BARREL SCREW



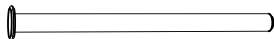
**I** 4x HEX NUT



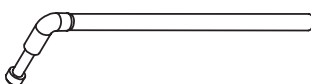
**J** 4x CYLINDER NUT



**K** 2x STRAIGHT BOLT



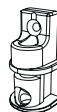
**L** 2x ANGLE BOLT



**M** 1x LOCKING LATCH



**N** 1x SADDLE



**O** 2x HINGE



**P** 2x HINGE COVER LOCK



**Q** 1x HEX WRENCH

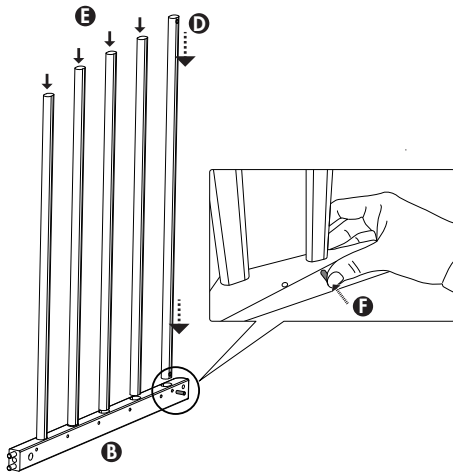


**R** 8x MOUNTING SCREWS



**S** 8x WALL ANCHORS

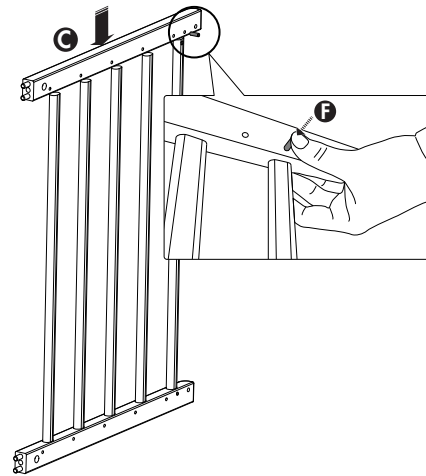
# GATE ASSEMBLY



## STEP 1

Insert 4 VERTICAL SPINDLES (E) and 1 DRILLED VERTICAL SPINDLE (D) into FRAME BOTTOM (B)

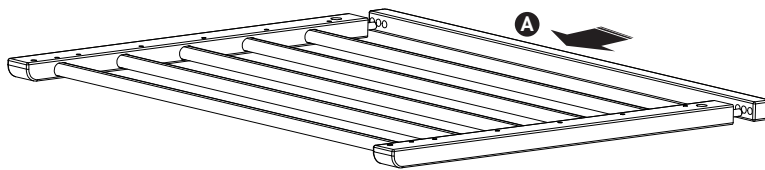
Insert METAL PIN (F) into hole in frame bottom and through drilled vertical spindle



## STEP 2

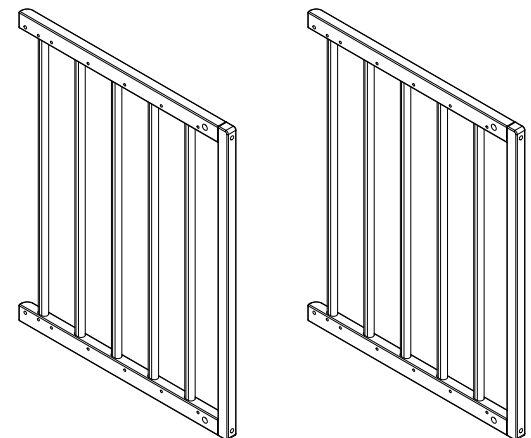
Attach FRAME TOP (C) to top of vertical spindles

Insert METAL PIN (F) into hole in frame top and through drilled vertical spindle



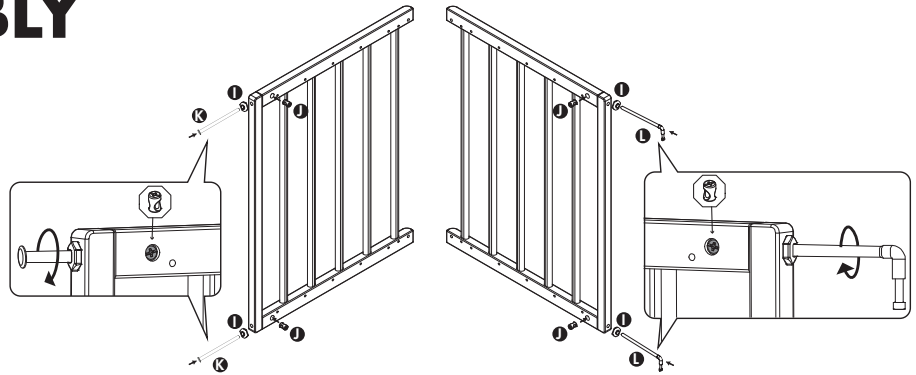
## STEP 3

Attach FRAME SIDE (A) to ends of frame top and bottom



**REPEAT STEPS 1 – 3** making TWO gate panels

# GATE ASSEMBLY



## STEP 4

Insert CYLINDER NUT (J) into hole in frame bottom on one gate panel

With HEX NUT (I) threaded on STRAIGHT BOLT (K), insert straight bolt into hole in frame side and turn clockwise until threaded through hex nut, leaving approximately 2" of straight bold extending outside frame

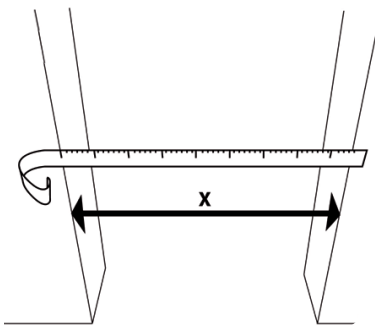
Repeat for frame top with second straight bolt

Insert CYLINDER NUT (J) into hole in frame bottom on remaining gate panel

With HEX NUT (I) threaded on ANGLE BOLT (L), insert angle bolt into hole in frame side and turn clockwise until threaded through hex nut, leaving approximately 2" of angle bold extending outside frame

Repeat for frame top with second angle bolt

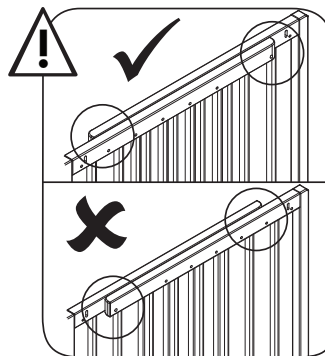
## STEP 5



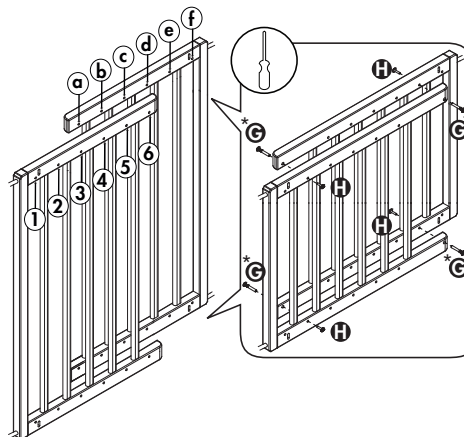
Measure width of opening

Determine connection points between two gate panels:

width of opening	connection points
24.5" to 28"	a+1 f+6
28" to 31.6"	a+2 e+6
31.6" to 35.2"	a+3 d+6
35.2" to 38.7"	a+4 c+6
38.7" to 41"	a+5 b+6



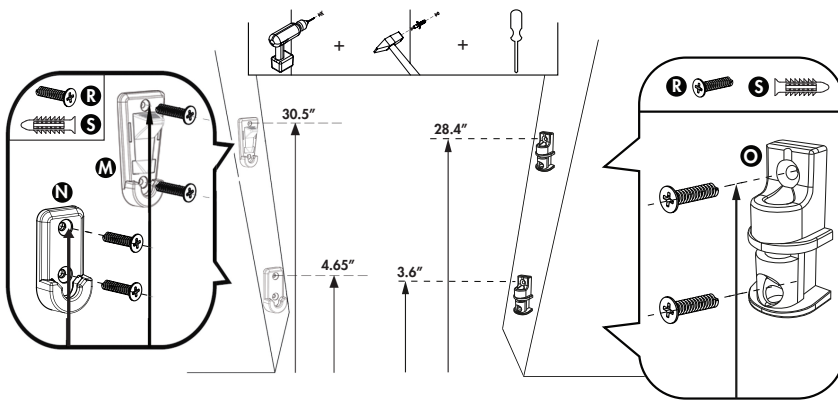
Position gate panels with flat sides together



Connect gate panels with BINDING BARRELS (G) and BINDING BARREL SCREWS (H) as shown above

\* Note insertion of BINDING BARRELS (G) near curved ends of top and bottom frame pieces

# GATE INSTALLATION



**TOOLS REQUIRED**  
Drill  
Hammer  
Philips screwdriver

## STEP 6

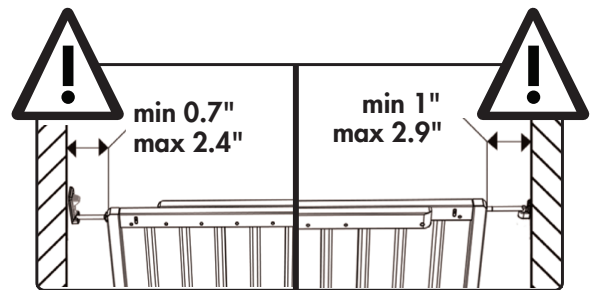
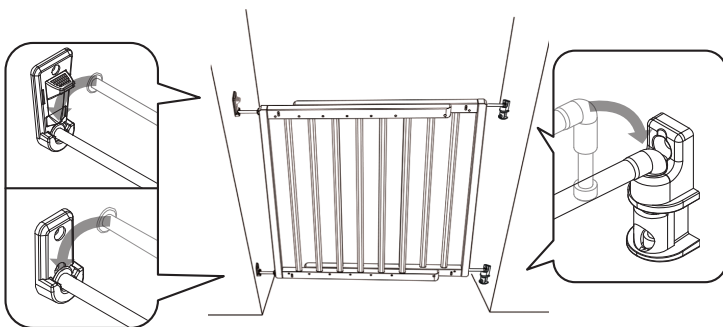
Measure vertically from floor and mark points as shown above

Pre-drill holes and insert WALL ANCHORS (S)

NOTE: Wall anchors are not needed if installing in solid wood frame or studs

On side where gate will open, attach LOCKING LATCH (M) at top and SADDLE (N) at bottom using MOUNTING SCREWS (R)

On side where gate will hinge, attach HINGES (O) at top and bottom with MOUNTING SCREWS (R)



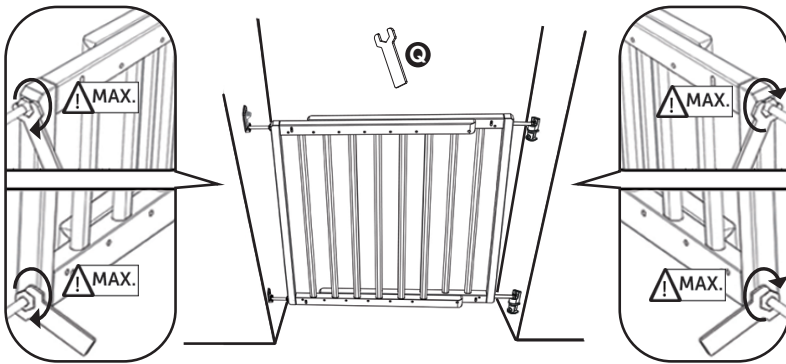
## STEP 7

Insert ANGLE BOLTS into HINGES

Adjust length of STRAIGHT BOLTS to sit in LOCKING LATCH and SADDLE

NOTE: Make sure straight bolts and angle bolts are adjusted within the minimum/maximum range shown below

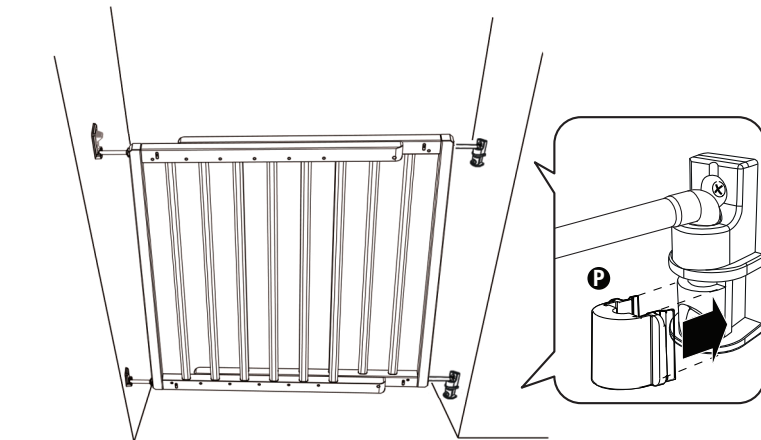
# GATE INSTALLATION



## STEP 8

Use HEX WRENCH (Q) to tighten hex nuts until flat side is secure against frame

NOTE: This step is important for gate stability. If gate become loose over time, check hex nuts and re-tighten as needed.

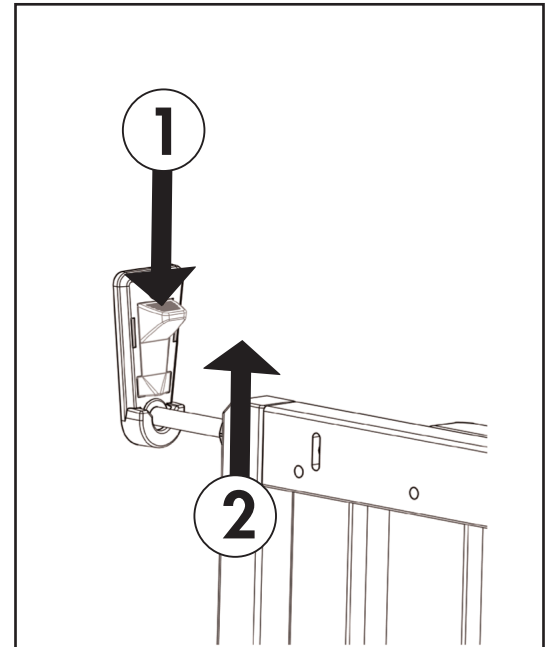


## STEP 9

Attach HINGE COVER LOCKS (P) on top and bottom hinges by pressing into place until hearing a click

Note orientation of hinge cover lock in diagram above

Remove hinge cover locks by inserting flathead screwdriver under side of lock and lifting off



## Unlocking Gate

Unlock gate by pressing down on button and lifting gate frame while button is depressed.