

MOULTRIE MOBILE™

EDGE

CELLULAR TRAIL CAMERA



OWNER'S OPERATION MANUAL

EDGE-NW

FIELD READY ⚡ FAST

TO GET STARTED, YOU'LL NEED:



**THE MOULTRIE
MOBILE APP**



**EDGE
CAMERA**



**8 OR 16
AA BATTERIES**

NOTE: This camera has Built-In Memory. You do not need to purchase or install an SD card.

BEFORE YOU BEGIN

Download the Moultrie Mobile app to set up your camera, view your pictures and videos, remotely control settings, and more.



Apple and the Apple logo are trademarks of Apple Inc., registered in the U.S. and other countries.
App Store is a service mark of Apple Inc. Google Play is a trademark of Google Inc.



WELCOME TO MOULTRIE MOBILE

We believe that what you put into hunting is exactly what you get out of it. That's why we've poured our passion into the scouting process, perfecting our technology to bring our community cutting-edge tools that are transforming the game.

CUSTOMER SUPPORT + CONTACT INFO

Before using your camera, please review this operation manual or the Quick Start Guide included with your Edge camera.

We're here to help if you have questions or need support.

CONTACT US

Call, email or chat with our U.S.-based Customer Success team, available 7 days a week from 7am – 5pm CT.

Phone: **844.908.1219**

Email: **support@moultriemobile.com**

Live Chat: Go to <https://support.moultriemobile.com/> and click "Chat with us"

KNOWLEDGE BASE

For camera or app details, troubleshooting, and how-to videos, check out our Knowledge Base at:

<https://support.moultriemobile.com>

CONNECT WITH US

Facebook: <https://www.facebook.com/MoultrieMobile>

YouTube: <https://www.youtube.com/moultriemobile>

Instagram: <https://www.instagram.com/moultriemobile/>

TikTok: <https://www.tiktok.com/@moultrie.mobile>

MOULTRIE MOBILE™



MOULTRIE MOBILE™
EDGE
CELLULAR TRAIL CAMERA

EDGE-NW

OWNER'S OPERATION MANUAL

TABLE OF CONTENTS

MOULTRIE MOBILE: SUPPORT + CONTACT	2
1. ABOUT EDGE	4
2. COMPONENTS	5
3. FEATURES AND SPECIFICATIONS	6
4. CAMERA SETUP	7
5. CAMERA PLACEMENT TIPS	8
6. ADJUST CAMERA SETTINGS	8
7. TROUBLESHOOTING	9
8. FAQ	9-10
8.1 NATIONWIDE COVERAGE WITH AUTO CONNECT	
8.2 BUILT-IN MEMORY - NO SD CARD REQUIRED	
8.3 BATTERIES	
8.4 FIRMWARE UPDATES	
8.5 LEDs	
8.6 LOCATING YOUR CAMERA	
8.7 PLANS	
9. WARRANTY	11
10. FCC STATEMENT	11



**IMPORTANT! PLEASE READ BEFORE USING THE
MOULTRIE MOBILE EDGE CELLULAR TRAIL CAMERA**

We recommend that you go through the entire set up process at home to ensure your camera is operating as expected and images are transmitting before taking into the field for use.

1. ABOUT EDGE

MOULTRIE MOBILE
EDGE
CELLULAR TRAIL CAMERA

We set out to design the most user-friendly cellular trail camera ever built.

We did it by focusing on what hunters care about most: battery life, cellular connectivity, and image quality.

The result is **EDGE** – an innovation-packed scouting tool.

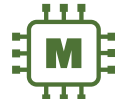
INDUSTRY-LEADING INNOVATIONS



WORKS ON
MULTIPLE MAJOR
U.S. NETWORKS



AUTO CONNECTS
TO THE
STRONGEST NETWORK
IN YOUR AREA



BUILT-IN
MEMORY
NO SD CARDS
REQUIRED

ENGINEERED FOR PERFORMANCE



RESOLUTION



HD VIDEO DELIVERY
WITH SOUND



TRIGGER SPEED



DETECTION & IR
FLASH RANGE



[M] THE MOULTRIE MOBILE APP

When using EDGE and the Moultrie Mobile app, you receive sharp images and video with sound from your cellular trail camera. Plus, these app features are available with *all* Moultrie Mobile plans without any additional costs:



ACTIVITY
CHARTING



SPECIES
RECOGNITION



WEATHER
DATA



INTERACTIVE
MAPS



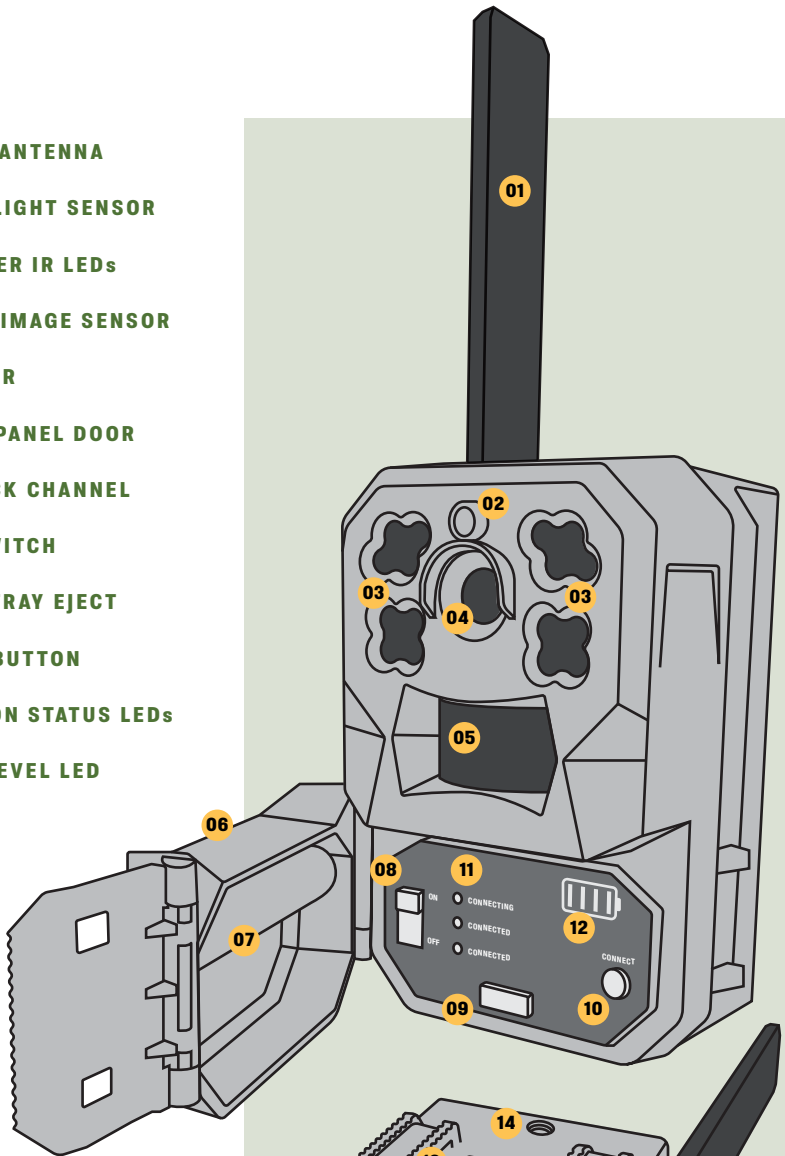
24/7 CLOUD
STORAGE

Plans are purchased directly from Moultrie Mobile and work independently from your cell phone plan.

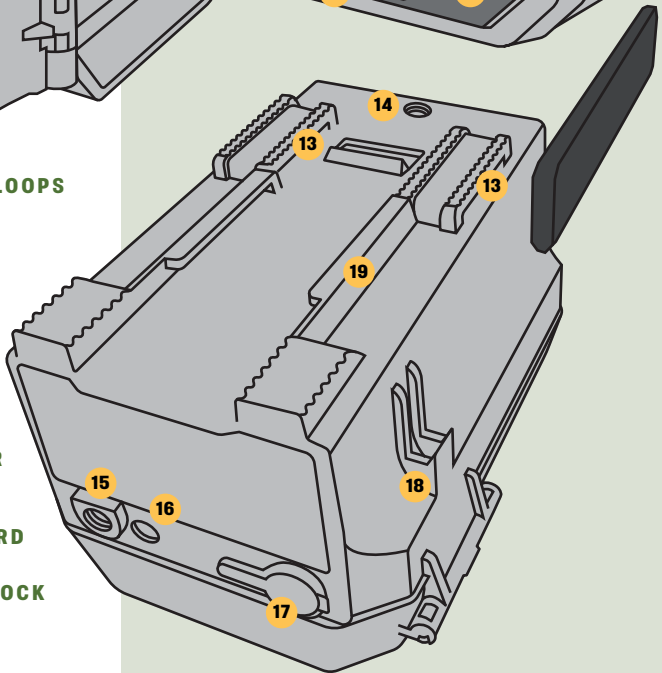
Go to www.moultriemobile.com/plans/ to learn more.

2. CAMERA COMPONENTS

- 01 FOLDABLE ANTENNA
- 02 AMBIENT LIGHT SENSOR
- 03 HIGH POWER IR LEDs
- 04 LENS AND IMAGE SENSOR
- 05 PIR SENSOR
- 06 CONTROL PANEL DOOR
- 07 CABLE LOCK CHANNEL
- 08 POWER SWITCH
- 09 BATTERY TRAY EJECT
- 10 CONNECT BUTTON
- 11 CONNECTION STATUS LEDs
- 12 BATTERY LEVEL LED



- 13 STRAP ATTACHMENT LOOPS
- 14 BACK 1/4 20 MOUNTING PORT
- 15 BOTTOM 1/4 20 MOUNTING PORT
- 16 MICROPHONE
- 17 12V EXTERNAL POWER JACK INPUT
- 18 ANTENNA CATCH GUARD
- 19 ATTACHMENT SLIDE/LOCK



3. FEATURES AND SPECIFICATIONS

CONNECTIVITY

Network	Nationwide Coverage- Multiple LTE Carriers
Technology	Auto Connect

MEMORY

Internal Memory	16GB Built-In Memory + Unlimited Cloud Storage in the Moultrie Mobile App No SD Card Required
-----------------	--

POWER SOURCE

Required Operation	8 AA Batteries
Extended Operation	16 AA Batteries
Battery Type	1.5V AA, Alkaline or Lithium
Alternative Power Sources (sold separately)	12V Battery Box, Solar Panel

PHOTO + VIDEO

Max Photo Resolution	33MP
Video Resolution	HD 720p
Video Length	15 seconds
Flash Type	Infrared

AUDIO

Video with Sound	Yes
------------------	-----

MOTION DETECTION

Motion Triggered	Infrared
Detection Range	up to 80 feet
Flash Range	up to 80 feet
Trigger Speed	0.85 seconds
Field of View	40 degrees

OPERATING MODES

Multi Shot	Single; 3 Trigger; 3 Burst
Scheduler Mode	Yes; Schedule camera on/off times
Timelapse	Timelapse or Motion + Timelapse
Detection Delay	0 seconds up to 30 minutes

IMAGE STAMPING

Image Info Strip	Date, Time, Moon Phase, Temperature, Camera Name
------------------	---

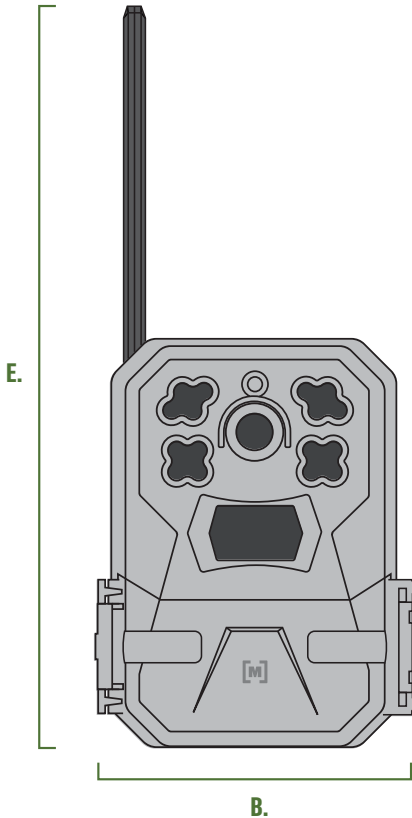
OPERATING CONDITIONS

Weather Resistant	IP 53
Temperature	-10°F to 110°F

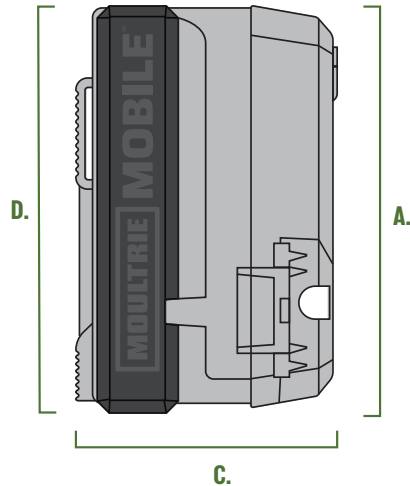
MOUNTING

Mounting Options	Fits Moultrie and universal mounts with a 1/4-20 threaded male post
Strap Length	6 feet

DIMENSIONS



A. Height	5.39"
B. Width	4.0"
C. Depth	3.54"
D. Antenna Height	5.375"
E. Overall Height	9.875"
F. Weight	0.9 lbs



SEE HOW IT'S DONE

Scan the QR code to watch a video of the camera overview and step-by-step instructions for camera setup.

Need help?

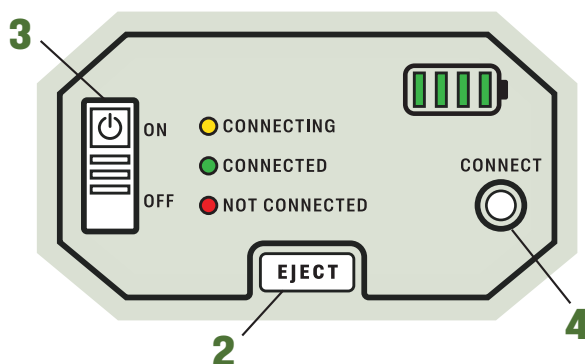
Call Customer Success: 1-844-908-1219



4. CAMERA SETUP

1 ADD CAMERA TO ACCOUNT

- Download the Moultrie Mobile app, and log in or sign up for an account.
- For existing accounts, go to **DEVICES > ACTIVATE**.
- Scan the QR code on the camera (located inside control panel door).
- Select a monthly or annual plan.



2 INSTALL BATTERIES

- Press **EJECT** to release battery tray.
- Fill tray with either 8 or 16 AA batteries. (Minimum of 8 required)
- **If only using 8 batteries, completely fill one side.**
- **CAUTION:** Battery tray should insert easily when oriented and aligned properly. Forcing tray into camera can cause damage.

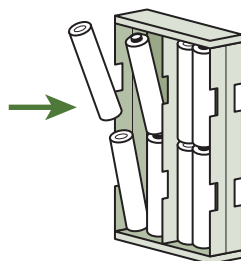
DO:

Use recommended batteries:

- Moultrie Alkaline
- Energizer Alkaline
- Energizer Lithium

DON'T:

- Use rechargeable batteries.
- Mix old and new batteries, or different brands.



3 TURN ON YOUR CAMERA

- Slide the power switch to **ON**. All LEDs will light up and then camera will begin connecting.



CONNECTING

Flashes yellow as the camera connects.



CONNECTED

Turns green upon successful connection.



NOT CONNECTED

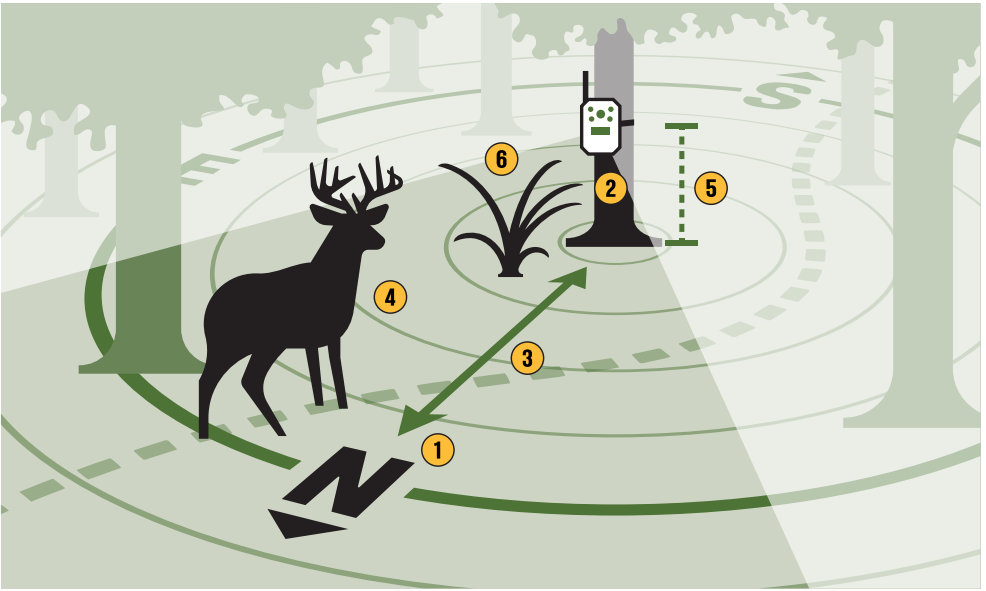
Turns red if connection is not found.

- Camera activation and connection should take 5 minutes or less. If a firmware update is available after connection, LEDs will flash and the camera will power itself off and back on.
- If not connected, you may need to move your camera to a stronger signal area.
- All lights will turn off once the camera is on and connection attempt is complete.

4 TEST YOUR CAMERA

- Once camera has gone back into sleep mode (LEDs off), press the **CONNECT** button to trigger a test photo.
- In the Moultrie Mobile app, go to **GALLERY**, then pull down to refresh and see your photo.

5. CAMERA PLACEMENT TIPS



1. POSITION THE CAMERA FACING NORTH OR SOUTH

The sun can cause false triggers with east or west camera placement. North is best.

2. POSITION THE CAMERA PERPENDICULAR TO THE GROUND

Ensure your camera is mounted straight up and down so the pictures you capture are level to the horizon. This will also help prevent false triggers and improve the camera's ability to capture wanted motion.

3. POINT CAMERA AT A 45-DEGREE ANGLE

Position your camera at a 45-degree angle to a trail, allowing more time for an animal to trigger the camera's sensors for a photo. Never place a camera directly across from a trail because it will leave less time for your camera to photograph a fast-moving deer or other object.

4. PLACE CAMERA ABOUT 20 FEET FROM YOUR TARGET

This distance helps provide good lighting for a clear photo of the entire target.

5. PLACE CAMERA 3 TO 5 FEET OFF THE GROUND

Mount your camera to a stand or a strong tree that won't sway. This will help ensure you don't receive any unwanted photos of small critters curious about your camera.

6. CLEAR VEGETATION FROM THE FRONT OF THE CAMERA

Remove grass, small limbs and twigs away from the camera's view to avoid getting unwanted pictures of moving vegetation.

Visit [MoultrieMobile.com](https://www.MoultrieMobile.com) for additional camera mounting options.

6. ADJUST CAMERA SETTINGS

You can view your camera's battery level and adjust settings remotely using the **Moultrie Mobile app**.

- Go to **DEVICES** to adjust settings and save changes.
- If you change settings from the app, the changes will be applied the next time the camera connects.
- To sync new settings faster, press **CONNECT** button on the camera to initiate a connection after updating settings in the app.

7. TROUBLESHOOTING

CAMERA WON'T CONNECT

If the red **NOT CONNECTED** light is on:

- Make sure camera has an **active** subscription with Moultrie Mobile.
- Move the camera to a location with a stronger signal.
- Contact Customer Success

COMPARING TO CELL PHONE SIGNAL

Your camera's signal strength may be higher or lower than your smartphone. Your camera is not tied to your cell phone plan. **The Edge will automatically try to connect to the strongest available network in your area.**

ACTIVATION / SCANNING THE QR CODE

If you see the QR code showing up in the scanner, but it can't read the QR code, you may need to enter the information by typing it in. You can find the ID numbers for the camera beside the QR code, on the inside of the hinged door. Enter the serial number and ID for the camera.

If you don't see an option to scan the QR code, you have previously denied permission for the Moultrie Mobile app to use your phone's camera. You can manually enter the device ID numbers or enable your phone's camera settings: Go to your phone's Settings, then scroll down to the Moultrie Mobile app settings. When you see the app settings, enable camera access for Moultrie Mobile. Force Quit/Close the Moultrie Mobile app, then open it again. Go to **Devices > Activate > Scan**, and scan the QR code.

CAMERA NOT SHOWING UP ON DASHBOARD AFTER ACTIVATION

Your camera may take up to 5 minutes to locate the cellular network and show in the list of active devices on the Device Dashboard. It will show in the list once it successfully connects. If the camera isn't showing in the list after 5 minutes, check that you have the camera on an active plan, and move your camera to a better coverage area. Contact Customer Success if you have any questions when activating your camera.

8. FAQs

8.1 NATIONWIDE COVERAGE WITH AUTO CONNECT

What is nationwide coverage?

The Edge works on multiple major networks, giving you nationwide coverage. You do not need to purchase a carrier-specific camera model. The Edge uses Auto Connect to automatically prioritize and connect to the strongest available network in your area. The Edge and the Moultrie Mobile app work independently from your cell phone plan provider.

How do I know what carrier it's connected to?

In the Moultrie Mobile app, you will see signal strength but not the specific carrier. The camera may switch to a new network if the camera loses connection or is powered off and moved. All of this will be seamless and automatic. Your carrier will show as "NW," which stands for nationwide coverage.

8.2 BUILT-IN MEMORY - NO SD CARD REQUIRED

What is Built-In Memory?

Edge's memory, or storage capacity for photos and videos, is built into the camera. This is different than removable memory, like an SD card, where you can remove the memory from the camera. Built-In Memory is more reliable than removable memory, since SD cards can vary in brand, quality, age, and size.

How many images or videos will the Built-in Memory hold?

This depends on the camera settings, like image resolution and photo/video mode. At 4MP resolution, internal memory can hold approximately 14,000 images.

Is there any way to clear the memory on the camera?

Yes. Go to Settings and toggle the selection for Erase Memory. This will clear the Built-In Memory.

Does the camera need an SD card?

No. Edge has Built-In Memory, which is more reliable than external memory/SD cards. You do not need to purchase or install an SD card. The memory is not removable.

Can I use an SD card if I don't want to use Built-In Memory?

No, the memory is not removable. SD cards cannot be used with Edge.

8.2 BUILT-IN MEMORY - NO SD CARD REQUIRED CONTINUED

How do I manage my images with the internal memory?

As the Edge captures images and videos, thumbnails are automatically uploaded to the cloud at each connection. You can request the HiRes (full resolution) version of any image or full length video using the Moultrie Mobile app or website. If the image or video is still stored on the camera's memory, it will be uploaded at the next connection. All uploaded pictures and videos can be viewed and managed in the Moultrie Mobile app, even if they have been cleared from the camera's memory. The Edge automatically manages its built-in memory to make room for new pictures, deleting the oldest images first once memory becomes full.

How do I get high resolution images and videos off of memory?

All uploaded pictures and downloads can be viewed and managed in the Moultrie Mobile app, even if they have been cleared from the camera's memory.

8.3 BATTERIES

Can I install extra batteries (like 9, 12, etc) to extend the battery life?

The camera requires a minimum of 8, or can be used with 16. If you install less than 8 batteries, the camera will not function. If you install 9-15 batteries, the camera will only receive power from the full 8 battery side.

Does the battery LED light up as "full" (4 bars) based on how many batteries are installed?

Both 8 or 16 fully charged batteries will show 4 bars, or a full battery life.

How can I maximize my battery life and change batteries less often?

We suggest installing 16 AA batteries to extend the battery life of the camera. Also, your camera settings impact your battery life. Set the upload frequency to 1-2 times per day, increase your detection delay, and lower your PIR sensitivity to extend battery life.

How should I load batteries into the tray?

Make sure to load either 8 or 16 AA batteries. Load one side of the tray fully if using 8, and load both sides if using 16. If using 8, it does not matter which side you load. After loading batteries into the tray, position the battery tray with the orange gasket at the bottom. Carefully insert the tray back into the camera body until you hear a click.

8.4 FIRMWARE UPDATES

How do I know that my camera is running the latest firmware?

Go to **Devices > Camera Details** for your camera to check the firmware version.

How are firmware updates delivered to the camera?

Firmware updates are delivered automatically, over-the-air, when updates are available. If the camera checks in and an update is available, it will automatically download to the device. You do not need to manually update the firmware. The bars in the battery LED will randomize during this process.

8.5 LEDs

How do I know when a picture or video is triggered?

You can trigger a test image by waving your hand in front of the camera or walking in front of it. Once the motion is detected, the Battery LED will either flash if taking a picture, or stay lit for 15 seconds if recording video. If the camera is set to immediate upload frequency, the Connecting and Connected LEDs will alight as the camera transmits the picture.

The camera is powered on but all the LEDs are off. Is it still working?

Yes. If the power is set to on, and the batteries are not dead, the LEDs will all power off. LEDs will light up again if the camera is triggered, or if it connects.

8.6 LOCATING YOUR CAMERA

How can I find where I placed my camera?

Use the Maps feature in the Moultrie Mobile app to pin your camera's location and find it easily.

8.7 PLANS

How do I select the right plan?


If this is your first or second camera, we suggest purchasing an Unlimited plan. If you already own two or more Moultrie Mobile cameras, we suggest upgrading all your cameras to our Pro Series Plan. Plans can be paid on a monthly or annual basis. See <https://www.moultriemobile.com/plans/> for a comparison of plans, or contact our Customer Success team.



9. WARRANTY

- This product has been thoroughly tested and inspected before shipment. ***It is guaranteed from defects in material and workmanship from the date of purchase for 2 years.***
- Under this limited guarantee, we agree to replace or repair free of charge any part or parts which have been found to be defective in original material or workmanship.
- Physical damage, abuse, misuse, alterations, or tampering with the equipment is not covered and will void your warranty.
- For more warranty information, visit: MoultrieMobile.com/2022_MM_Warranty_Info
- Should you require warranty service, call our Customer Success Team: **1-844-908-1219**

10. FCC STATEMENT

FCC Statements 

EDGE CELLULAR TRAIL CAMERA NW MCG-14076 / 14078

THE MANUFACTURER IS NOT RESPONSIBLE FOR ANY RADIO OR TV INTERFERENCE CAUSED BY UNAUTHORIZED MODIFICATIONS TO THIS EQUIPMENT. SUCH MODIFICATIONS COULD VOID THE USER'S AUTHORITY TO OPERATE THE EQUIPMENT.

This device complies with the limits for a Class B digital device, pursuant to Part 15 of the FCC Rules. These limits are designed to provide reasonable protection against harmful interference in a residential installation.

This device generates, uses, and can radiate radio frequency energy and, if not installed and used in accordance with the instructions, may cause harmful interference to radio communications. However, there is no guarantee that interference will not occur in a particular installation. If this device does cause harmful interference to radio or television reception, which can be determined by turning the equipment off and on, the user is encouraged to try to correct the interference by one or more of the following measures:

- Reorient or relocate the receiving antenna.
- Increase the separation between the equipment and receiver.
- Connect the equipment into an outlet on a circuit different from that to which the receiver is connected.
- Consult the dealer or an experienced radio/TV technician for help.

Changes and modifications not expressly approved by the party responsible could void the user's authority to operate this device. This device complies with Part 15 of the FCC Rules. Operation is subject to the following two conditions: (1) This device may not cause harmful interference, and (2) this device must accept any interference received, including interference that may cause undesired operation.



TRANSFORM THE WAY YOU HUNT