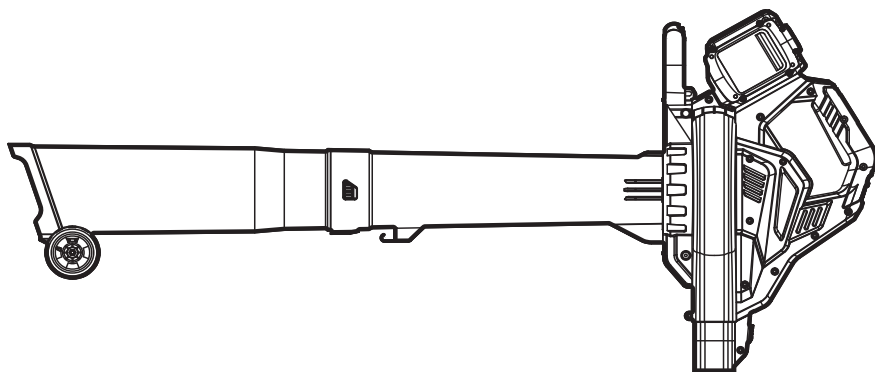
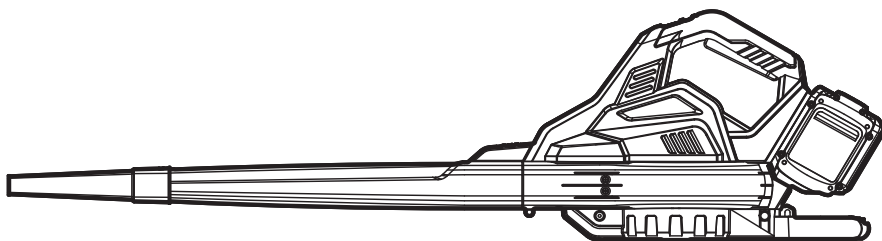


WORX®



Cordless Blower/Vac/Mulcher

EN P03

F P13


ES P22



HELPLINE NUMBER
NUMERO DU SERVICE D'ASSISTANCE
NUMERO DE LINEA DE AYUDA
1-866-354-WORX (9679)


WG583 WG583.9

PRODUCT SAFETY

 **WARNING: Some dust created by power sanding, sawing, grinding, drilling and other construction activities contains chemicals known to the State of California to cause cancer, birth defects or other reproductive harm. Some examples of these chemicals are:**

- **Lead from lead-based paints;**
- **Crystalline silica from bricks and cement and other masonry products;**
- **Arsenic and chromium from chemically-treated lumber.**

Your risk from these exposures varies, depending on how often you do this type of work. To reduce your exposure to these chemicals: work in a well ventilated area, and work with approved safety equipment, such as those dust masks that are specially designed to filter out microscopic particles.

 **WARNING: This product can expose you to chemicals including lead and Di(2-ethylhexyl)phthalate (DEHP) which are known to the State of California to cause cancer and birth defects or other reproductive harm. For more information go to www.P65Warnings.ca.gov.**


- common sense. Do not operate appliance when you are tired.
- 10) **Store Idle Appliances Indoors** - When not in use, appliances should be stored indoors in dry, and high or locked-up place - out of reach of children.
 - 11) **Maintain Appliance With Care** - Follow instructions for lubricating and changing accessories. Keep handles dry, clean, and free from oil and grease.
 - 12) **Check Damaged Parts** - Before further use of the appliance, a guard or other part that is damaged should be carefully checked to determine that it will operate properly and perform its intended function. Check for alignment of moving parts, binding of moving parts, breakage of parts, mounting, and any other condition that may affect its operation. A guard or other part that is damaged should be properly repaired or replaced by an authorized service center unless indicated elsewhere in this manual.

FOR ALL BATTERY – OPERATED GARDENING APPLIANCES:

1. Prevent unintentional starting. Ensure the switch is in the off-position before connecting to battery pack, picking up or carrying the appliance. Carrying the appliance with your finger on the switch or energizing appliance that have the switch on invites accidents.
2. Disconnect the battery pack from the appliance before making any adjustments, changing accessories, or storing appliance. Such preventive safety measures reduce the risk of starting the appliance accidentally.
3. Recharge only with the charger specified by the manufacturer .A charger that is suitable for one type of battery pack may create a risk of fire when used with another battery pack.
4. Use appliances only with specifically designated battery packs. Use of any other battery packs may create a risk of injury and fire.
5. When battery pack is not in use, keep it away from other metal objects, like paper clips, coins, keys, nails, screws or other small metal objects, that can make a connection from one terminal to another. Shorting the battery terminals together may cause burns or a fire.
6. Under abusive conditions, liquid may be ejected from the battery; avoid contact. If contact accidentally occurs, flush with water. If liquid contacts eyes, additionally seek medical help. Liquid ejected from the battery may cause irritation or burns.
7. Do not use a battery pack or appliance that is damaged or modified. Damaged or modified batteries may exhibit unpredictable behavior resulting in fire, explosion or risk of injury.
8. Do not expose a battery pack or appliance to

2

IMPORTANT SAFETY INSTRUCTIONS

 **WARNING: Read all safety warnings and instructions. Failure to follow the warnings and instructions may result in electric shock, fire and/or serious injury.**

FOR ALL APPLIANCES:

- 1) Avoid Dangerous Environment - Don't use appliances in damp or wet locations.
- 2) Don't Use In Rain.
- 3) Keep Children Away - All visitors should be kept at a distance from work area.
- 4) Dress Properly - Do not wear loose clothing or jewelry. They can be caught in moving parts. Use of rubber gloves and substantial footwear is recommended when working outdoors. Wear protective hair covering to contain long hair.
- 5) Use Safety Glasses - Always use face or dust mask if operation is dusty.
- 6) Use Right Appliance - Do not use appliance for any job except that for which it is intended.
- 7) Don't Force Appliance - It will do the job better and with less likelihood of a risk of injury at the rate for which it was designed.
- 8) Don't Overreach - Keep proper footing and balance at all times.
- 9) Stay Alert - Watch what you are doing. Use

fire or excessive temperature. Exposure to fire or temperature above 130°C (265°F) may cause explosion.

9. Follow all charging instructions and do not charge the battery pack or appliance outside of the temperature range specified in the instructions. Charging improperly or at temperatures outside of the specified range may damage the battery and increase the risk of fire.
10. Have servicing performed by a qualified repair person using only identical replacement parts. This will ensure that the safety of the product is maintained.
11. Do not modify or attempt to repair the appliance or the battery pack (as applicable) except as indicated in the instructions for use and care.

ADDITIONAL SAFETY WARNINGS

IMPORTANT SAFETY INSTRUCTIONS

When using an electrical appliance, basic precautions should always be followed, including the following:

READ ALL INSTRUCTIONS BEFORE USING THIS APPLIANCE

WARNING – To reduce the risk of fire, electric shock, or injury:

1. To reduce the risk of electric shock – Do not use on wet surfaces. Do not expose to rain. Store indoors.
2. Do not allow to be used as a toy. Close attention is necessary when used by or near children.
3. Use only as described in this manual. Use only manufacturer's recommended attachments.
4. If appliance is not working as it should, has been dropped, damaged,

left outdoors, or dropped into water, return it to a service center.

5. Keep hair, loose clothing, fingers, and all parts of body away from openings and moving parts.
6. Do not charge the unit outdoors.
7. Use only the charger supplied by the manufacturer to recharge.
8. Do not incinerate the appliance even if it is severely damaged. The batteries can explode in a fire.
9. Do not put any object into openings. Do not use with any opening blocked; keep free of dust, lint, hair, and anything that may reduce air flow.
10. Do not handle plug or appliance with wet hands.
11. Do not leave appliance when plugged in. Unplug from outlet when not in use and before servicing.
12. Turn off all controls before unplugging.
13. Use extra care when cleaning on stairs.
14. Do not use to pick up flammable or combustible liquids, such as gasoline, or use in areas where they may be present.
15. Do not pick up anything that is burning or smoking, such as cigarettes, matches, or hot ashes.
16. Do not use without dust bag and/or filters in place.

SAFETY WARNINGS FOR BATTERY PACK

- a) **Do not dismantle, open or shred battery pack.**
- b) **Do not expose battery pack to heat or fire. Avoid storage in direct sunlight.**
- c) **Do not short-circuit a battery pack. Do not store battery packs haphazardly in a box or drawer where they may short-circuit each other or be short-circuited by other metal objects.** When battery pack is not in use, keep it away from other metal objects, like paper clips, coins, keys, nails, screws or other small metal objects, that can make a connection from one terminal to another. Shorting the battery

terminals together may cause burns or fire.

- d) **Do not remove battery pack from its original packaging until required for use.**
- e) **Do not subject battery pack to mechanical shock.**
- f) **In the event of battery leaking, do not allow the liquid to come in contact with the skin or eyes. If contact has been made, wash the affected area with copious amounts of water and seek medical advice.**
- g) **Observe the plus (+) and minus (-) marks on the battery back and equipment and ensure correct use.**
- h) **Do not use any battery pack which is not designed for use with the equipment.**
- i) **Keep battery pack out of the reach of children.**
- j) **Seek medical advice immediately if a cell or battery has been swallowed.**
- k) **Always purchase the battery pack recommended by the device manufacturer for the equipment.**
- l) **Keep battery pack clean and dry.**
- m) **Wipe the battery pack terminals with a clean dry cloth if they become dirty.**
- n) **Battery pack needs to be charged before use. Always use the correct charger and refer to the manufacturer's instructions or equipment manual for proper charging instructions.**
- o) **Do not leave battery pack on prolonged charge when not in use.**
- p) **After extended periods of storage, it may be necessary to charge and discharge the battery pack several times to obtain maximum performance.**
- q) **Battery pack gives its best performance when it is operated at normal room temperature (20 °C ± 5 °C).**
- r) **When disposing of battery packs, keep battery packs of different electrochemical systems separate from each other.**
- s) **Recharge only with the charger specified by Worx. Do not use any charger other than that specifically provided for use with the equipment.** A charger that is suitable for one type of battery pack may create a risk of fire when used with another battery pack.
- t) **Retain the original product literature for future reference.**
- u) **Use only the battery pack in the application for which it was intended.**
- v) **Remove the battery pack from the equipment when not in use.**
- w) **Dispose of properly.**

SYMBOL

| | |
|---|--|
|  | To reduce the risk of injury, user must read instruction manual |
|  | Wear ear protection |
|  | Wear eye protection |
|  | Keep bystanders away |
|  | Warning of hazard |
|  | Do not expose to rain |
|  | Remove battery from the socket before carrying out any adjustment, servicing or maintenance. |
|  | Batteries may enter water cycle if disposed improperly, which can be hazardous for ecosystem. Do not dispose of waste batteries as unsorted municipal waste. |
|  | Do not burn |

SAVE THESE INSTRUCTIONS



Li-Ion

Li-Ion battery, battery must be recycled



call2recycle®

POSITEC Inc. has established a partnership with the RBRC Corporation to recycle any Positec batteries with the RBRC-call2recycle seal. For environmental protection, please do not discard batteries in the trash. After the batteries' life cycle is ended, then please call 1-800-822-8837 for a free service that will properly dispose of the battery.



Blow mode

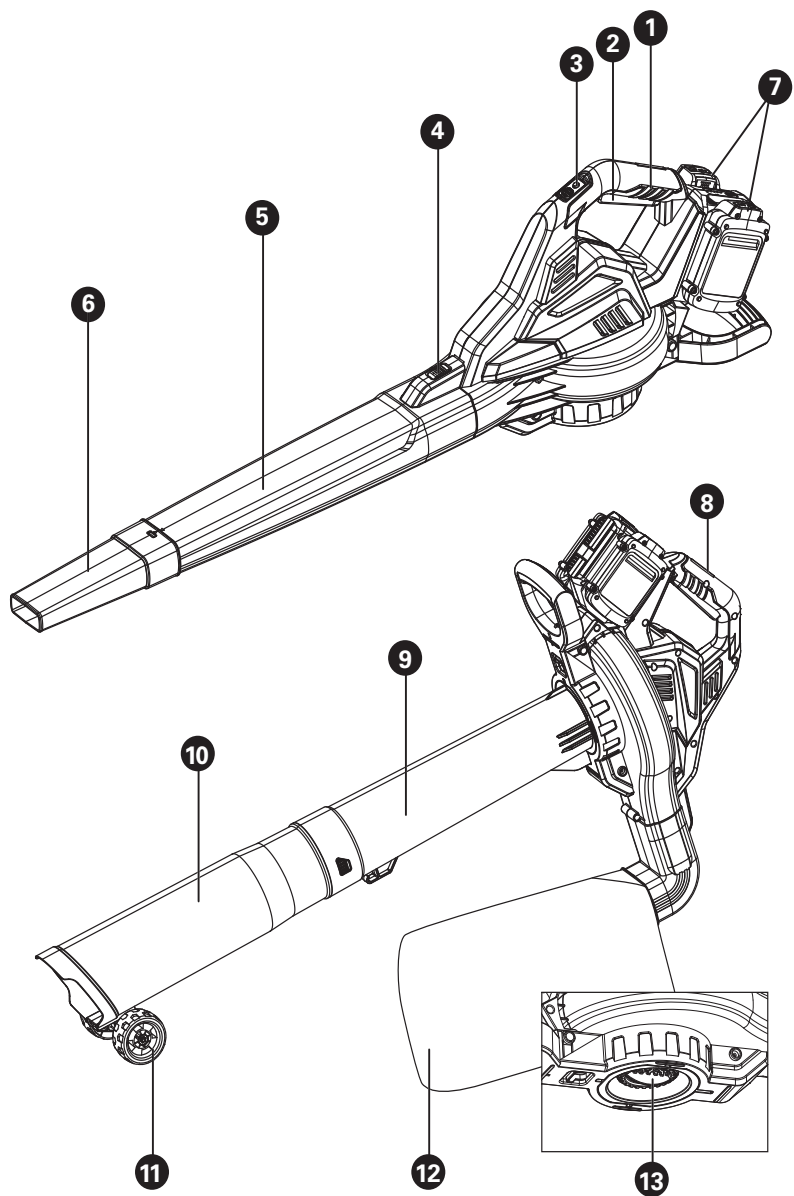


Vacuum mode



STOP

Impeller continues to rotate after the machine is switched off. Wait until all machine components have completely stopped before touching them.



COMPONENT LIST

- 1. HANDLE**
- 2. ON/OFF SWITCH**
- 3. HIGH/LOW SPEED CONTROL BUTTON**
- 4. TUBE RELEASE BUTTON**
- 5. BLOWER TUBE**
- 6. BLOWER TUBE NOZZLE**
- 7. BATTERY PACKS***
- 8. ANTI-STATIC STRIP**
- 9. UPPER VACUUM TUBE**
- 10. LOWER VACUUM TUBE**
- 11. WHEELS**
- 12. LEAF COLLECTION BAG**
- 13. FAN HOUSING COVER**
- 14. BATTERY PACK RELEASE BUTTON*(SEE FIG. C)**
- 15. BATTERY INDICATOR LIGHT (SEE FIG.D)**

***Not all the accessories illustrated or described are included in standard delivery.**

TECHNICAL DATA

| | WG583 | WG583.9 |
|--------------------------|--------------------------------------|----------------|
| Rated voltage | 40 V MAX (2x20 V MAX) ** | |
| Air speed | Low: 116 mph High: 185 mph | |
| Air volume | Low: 200 cfm High: 350 cfm | |
| Mulching ratio | to be decided | |
| Collection bag capacity: | 1.0 bushel | |
| Battery type | Lithium-ion | / |
| Battery capacity | 4.0 Ah (WA3578) | / |
| Charger model | WA3884 | / |
| Charger rating | Input: 120V~60Hz Output : 20 V | / |
| Charging current | 4 A | / |

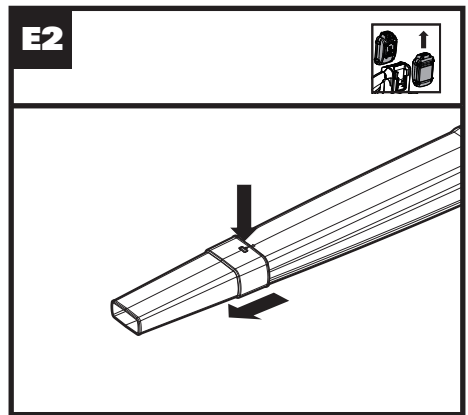
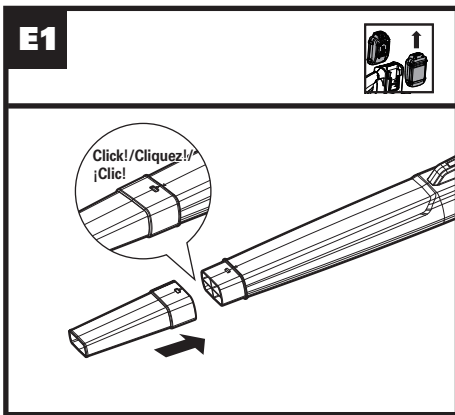
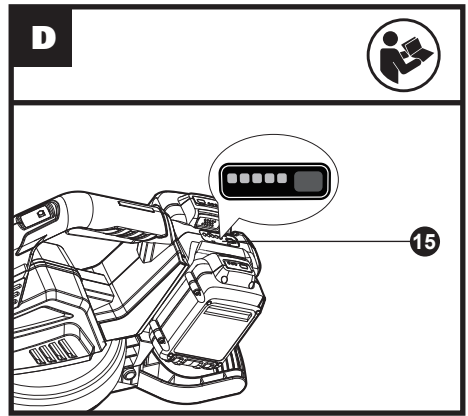
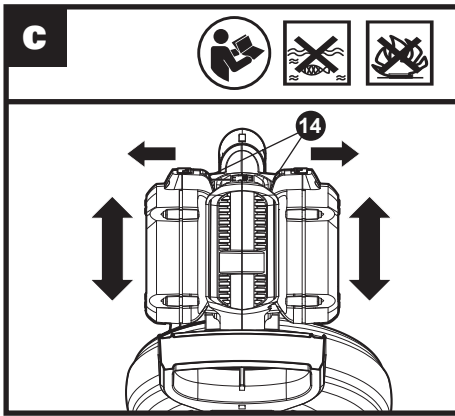
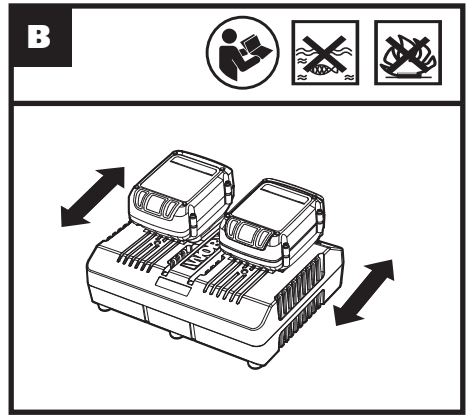
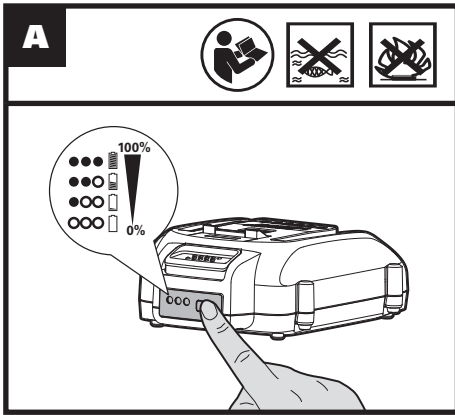
| | | |
|---|----------------------------------|---------------------------------|
| Charging time (approx.) Battery pack: 4.0 Ah (1 pc) 4.0 Ah (2 pcs) | 1hr 2hr | / |
| Machine weight | 8.4 lbs (Blow) 11.5 lbs (Vac) | 5.5 lbs (Blow) 8.6 lbs (Vac) |

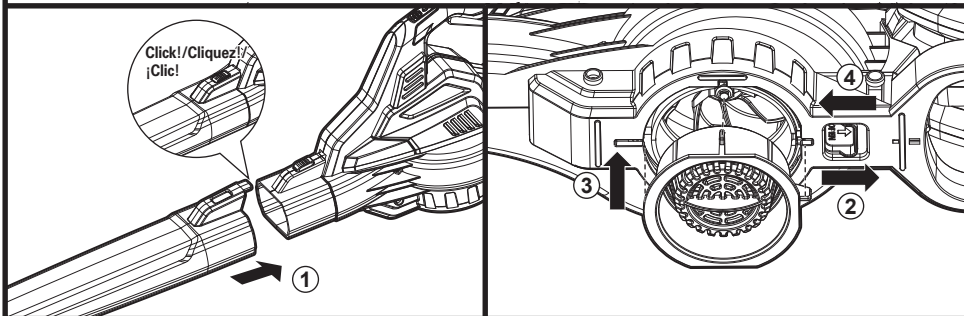
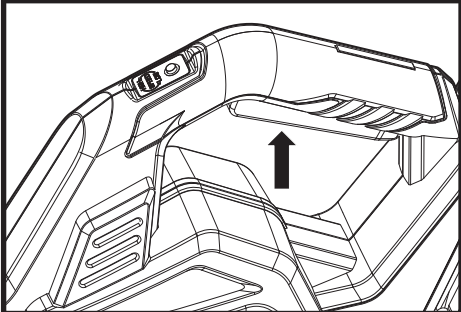
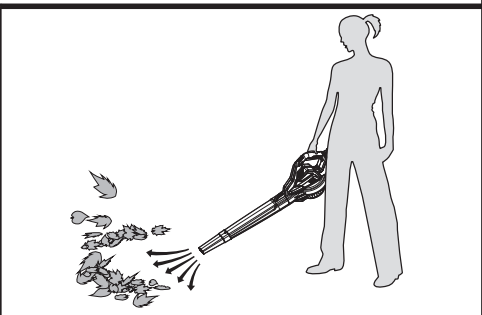
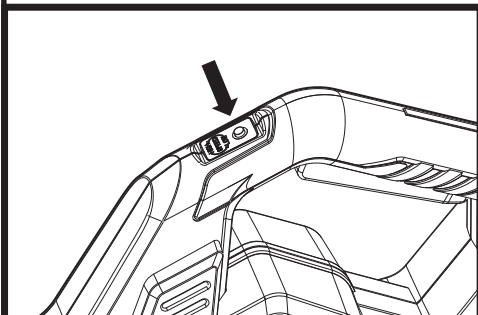
**Voltage measured without workload. Initial battery voltage reaches maximum of 20 volts. Nominal voltage is 18 volts.

ACCESSORIES

| | WG583 | WG583.9 |
|--------------|--------------|----------------|
| Battery pack | 2 (WA3578) | / |
| Charger | 1 (WA3884) | / |

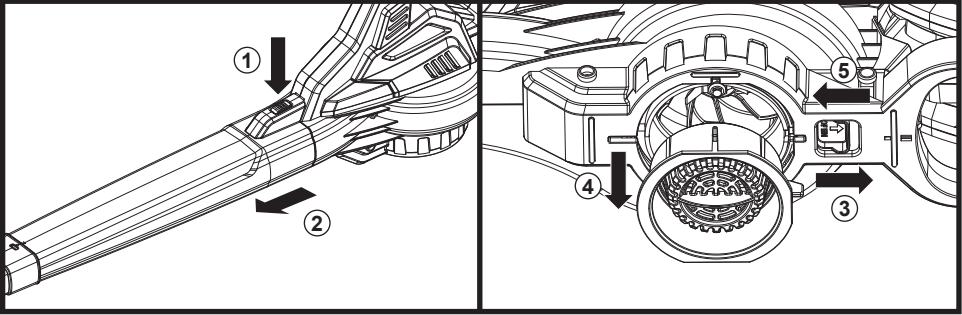
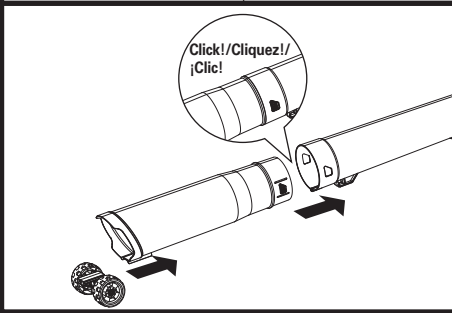
Only use the appropriate accessories intended for this tool. Accessory information can be found on the product packaging, at a Worx dealer or on our website at www.worx.com.



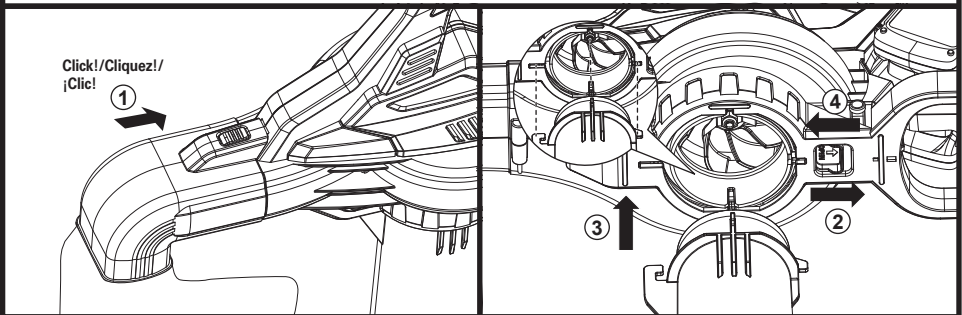
E3**F****G****H**

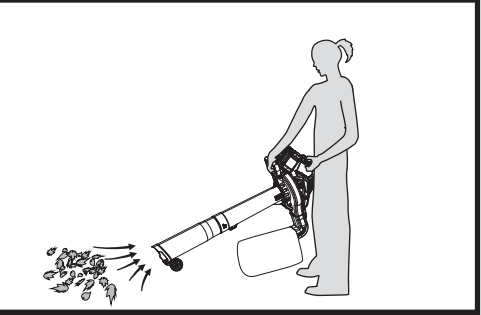
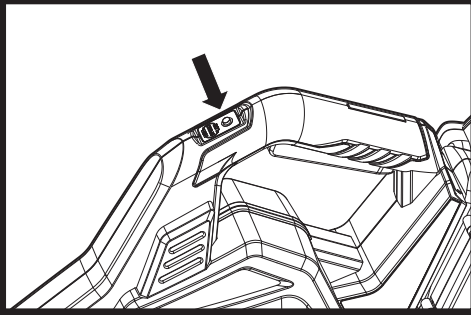
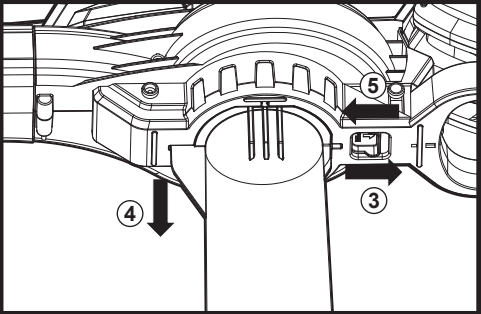
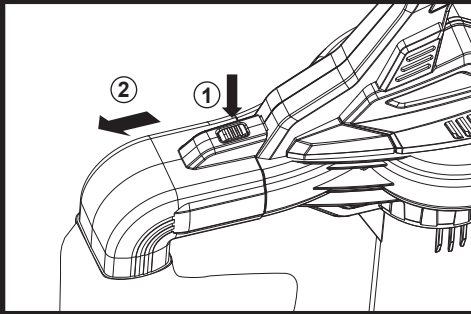
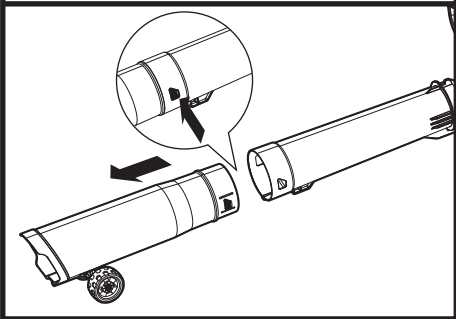
I

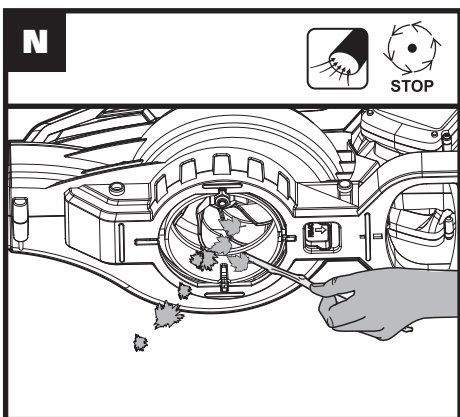
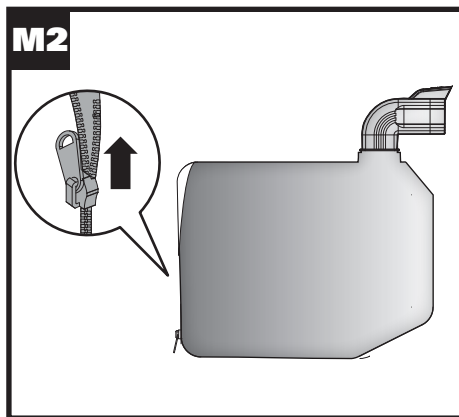
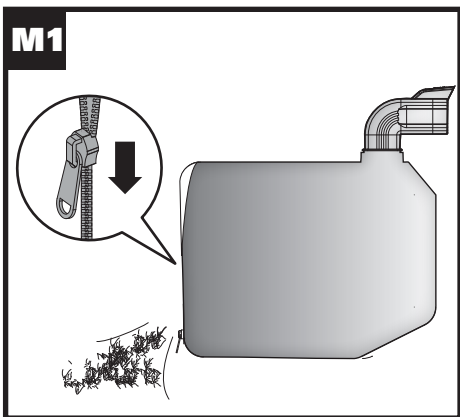
STOP

**J1****J2**

STOP



K**L1****L2**







OPERATION


INTENDED USE

The blower & Vac is intended for residential use only. Use the blower outdoors to move or vacuum yard debris as needed.

ASSEMBLY AND OPERATION

| ACTION | FIGURE |
|---|------------|
| BEFORE OPERATION | |
| Checking the battery condition Note: Fig. A only applies for the battery pack with battery indicator light. | See Fig. A |
| Charging the battery pack Note: <ul style="list-style-type: none"> The batteries are shipped uncharged. Each battery must be fully charged before the first use. Always fully charge the two batteries at same time. More details can be found in charger's manual.  WARNING! The charger and battery pack are specially designed to work together, so do not attempt to use any other devices. Never insert or allow metallic objects into your charger or battery pack connections because of an electrical failure and hazard will occur. | See Fig. B |
| Installing and Removing the battery pack Note: <ul style="list-style-type: none"> This machine will only run when 2 batteries are installed. It is recommended to use the same two batteries and charge the two batteries at the same time. When you use two batteries with different power, the machine will only run to the level of the lowest charged battery. | See Fig.C |

| | |
|--|-------------------|
| Battery indicator light See details in BATTERY STATUS part | See Fig. D |
|  IMPORTANT: When only one light is illuminated, your battery is overly discharged, even though the machine may still be capable to work. Continuing to operate your machine with the battery in this discharged condition may reduce the life and performance of your battery. When no light is illuminated, at least one battery is not fully installed or battery may be defective, please double check the batteries are fully seated into position. | |
| OPERATION | |
| Blow mode | |
| Assembling the blower tube and fan housing cover | See Fig. E1,E2,E3 |
| On/Off Switch  WARNING! The tool runs for a few seconds after it has been switched off. Let the motor come to a complete standstill before setting the tool down. | See Fig. F |
| Using the Blower USER TIPS <ul style="list-style-type: none"> Hold the blow tube approximately 8" above the ground when operating the tool. Use a sweeping motion from side to side. Advance slowly keeping the accumulated debris/leaves in front of you.  Caution!Do not blow hard objects such as nails, bolts, or rocks. | See Fig.G |
| Adjust blowing speed Note: the speed your tool keeps each time you turn it on is the speed when you turned it off last time. If necessary, please readjust the speed. | See Fig.H |
| Vacuum mode | |
| Disassembling the blower tube and fan housing cover | See Fig. I |
| Assembling the vacuum tube ,the leaf collection bag and wheel | See Fig. J1,J2 |

| | |
|--|----------------|
| On/Off Switch  WARNING! The tool runs for a few seconds after it has been switched off. Let the motor come to a complete standstill before setting the tool down. | See Fig.F |
| Using the Vacuum Note: Before use, please adjust the speed to the high speed level. | See Fig. K |
| Disassembling the vacuum Tube and the leaf collection bag | See Fig. L1,L2 |
| Emptying the leaf collection bag | See Fig. M1,M2 |
| Removing clogged debris from the Impeller(no tool included) Note: Ensure to remove the batteries before attempting to clear any debris. | See Fig. N |

| | |
|---|--|
| Only one light is flashing twice per cycle. | At least one battery is over discharged (please refer to the battery charge condition), please recharge the two batteries at once before use again or storage. |
| Only one light is flashing three times per cycle. | At least one battery is hot, wait for them cool down before start again. |
| Only one light is flashing four times per cycle. | The machine is over load. Remove tool from blowing area and try again. |

STORAGE

Store the Blower/Vacuum indoors, in a cool dry location, out of reach of children and animals.

FOR BATTERY TOOLS

The ambient temperature range for the use and storage of tool and battery is 0°C-45°C(32°F - 113°F). The recommended ambient temperature range for the charging system during charging is 0°C-40°C(32°F - 104°F).

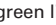

CLEANING THE TOOL

Clean the tool regularly.



Warning! Keep your product dry. Under no circumstances spray with water.

- **To clean the tool, use only mild soap and a damp cloth.**
- **Do not use any type of detergent, cleaner or solvent which may contain chemicals that could seriously damage the plastic.**

| Battery indicator light status | Battery condition |
|--|--|
| Five green lights () are illuminated. | The two batteries are in a highly charged condition. |
| Two, three or four green lights are illuminated. | The two batteries have a remaining charge. The more lights are illuminated, the more battery capacity. |
| Only one green light () is illuminated. | The battery level of at least one battery pack is very low. Please check and charge the battery pack. |
| No light is illuminated. | At least one battery is not fully installed or battery may be defective. |