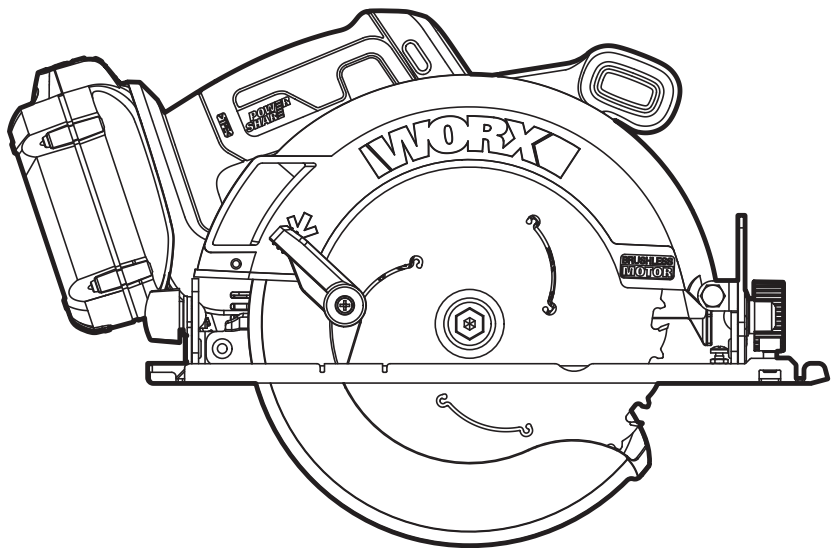


# WORX NITRO



**BRUSHLESS™**  
**MOTOR**

<b>20V Cordless Brushless Circular saw</b>	<b>EN</b>	<b>P02</b>
<b>Scie circulaire sans fil 20V sans brosse</b>	<b>F</b>	<b>P13</b>
<b>Sierra circular sin escobillas inalámbrica de 20V</b>	<b>ES</b>	<b>P22</b>



**HELPLINE NUMBER**  
**NUMÉRO DU SERVICE D'ASSISTANCE**  
**NUMERO DE LINEA DE AYUDA**  
**1-866-354-WORX (9679)**

**WX520L WX520L.X**

## PRODUCT SAFETY

**WARNING:** Some dust created by power sanding, sawing, grinding, drilling and other construction activities contains chemicals known to the state of California to cause cancer, birth defects or other reproductive harm. Some examples of these chemicals are:

- Lead from lead-based paints;
- Crystalline silica from bricks and cement and other masonry products;
- Arsenic and chromium from chemically-treated lumber.

Your risk from these exposures varies, depending on how often you do this type of work. To reduce your exposure to these chemical: work in a well ventilated area, and work with approved safety equipment, such as those dust masks that are specially designed to filter out microscopic particles.

**WARNING:** This product can expose you to chemicals including lead and Di (2-ethylhexyl) phthalate (DEHP) which are known to the State of California to cause cancer and birth defects or other reproductive harm. For more information go to [www.P65Warnings.ca.gov](http://www.P65Warnings.ca.gov).

## GENERAL POWER TOOL SAFETY WARNINGS

**WARNING** Read all safety warnings, instructions, illustrations and specifications provided with this power tool. Failure to follow all instructions listed below may result in electric shock, fire and/or serious injury.

Save all warnings and instructions for future reference.

The term "power tool" in the warnings refers to your mains-operated (corded) power tool or battery-operated (cordless) power tool.

### 1) Work area safety

- Keep work area clean and well lit.** Cluttered or dark areas invite accidents.
- Do not operate power tools in explosive atmospheres, such as in the presence of flammable liquids, gases or dust.** Power tools create sparks which may ignite the dust or fumes.
- Keep children and bystanders away while operating a power tool.** Distractions can cause you to lose control.

### 2) Electrical safety

- Power tool plugs must match the outlet. Never modify the plug in any way. Do not use any adapter plugs with earthed (grounded) power tools.** Unmodified plugs and matching outlets will reduce risk of electric shock.
- Avoid body contact with earthed or grounded surfaces, such as pipes, radiators, ranges and**


**refrigerators.** There is an increased risk of electric shock if your body is earthed or grounded.

- Do not expose power tools to rain or wet conditions.** Water entering a power tool will increase the risk of electric shock.
  - Do not abuse the cord. Never use the cord for carrying, pulling or unplugging the power tool. Keep cord away from heat, oil, sharp edges or moving parts.** Damaged or entangled cords increase the risk of electric shock.
  - When operating a power tool outdoors, use an extension cord suitable for outdoor use.** Use of a cord suitable for outdoor use reduces the risk of electric shock.
  - If operating a power tool in a damp location is unavoidable, use a residual current device (RCD) protected supply.** Use of an RCD reduces the risk of electric shock.
- Personal safety**
    - Stay alert, watch what you are doing and use common sense when operating a power tool. Do not use a power tool while you are tired or under the influence of drugs, alcohol or medication.** A moment of inattention while operating power tools may result in serious personal injury.
    - Use personal protective equipment. Always wear eye protection.** Protective equipment such as dust mask, non-skid safety shoes, hard hat, or hearing protection used for appropriate conditions will reduce personal injuries.
    - Prevent unintentional starting. Ensure the switch is in the off-position before connecting to power source and/or battery pack, picking up or carrying the tool.** Carrying power tools with your finger on the switch or energising power tools that have the switch on invites accidents.
    - Remove any adjusting key or wrench before turning the power tool on.** A wrench or a key left attached to a rotating part of the power tool may result in personal injury.
    - Do not overreach. Keep proper footing and balance at all times.** This enables better control of the power tool in unexpected situations.
    - Dress properly. Do not wear loose clothing or jewelry. Keep your hair and clothing away from moving parts.** Loose clothes, jewelry or long hair can be caught in moving parts.
    - If devices are provided for the connection of dust extraction and collection facilities, ensure these are connected and properly used.** Use of dust collection can reduce dust-related hazards.
    - Do not let familiarity gained from frequent use of tools allow you to become complacent and ignore tool safety principles.** A careless action can cause severe injury within a fraction of a second.
  - Power tool use and care**
    - Do not force the power tool. Use the correct power tool for your application.** The correct power tool will do the job better and safer at the rate for which it was designed.
    - Do not use the power tool if the switch does not**

- turn it on and off.** Any power tool that cannot be controlled with the switch is dangerous and must be repaired.
- c) **Disconnect the plug from the power source and/or remove the battery pack, if detachable, from the power tool before making any adjustments, changing accessories, or storing power tools.** Such preventive safety measures reduce the risk of starting the power tool accidentally.
  - d) **Store idle power tools out of the reach of children and do not allow persons unfamiliar with the power tool or these instructions to operate the power tool.** Power tools are dangerous in the hands of untrained users.
  - e) **Maintain power tools and accessories. Check for misalignment or binding of moving parts, breakage of parts and any other condition that may affect the power tool's operation. If damaged, have the power tool repaired before use.** Many accidents are caused by poorly maintained power tools.
  - f) **Keep cutting tools sharp and clean.** Properly maintained cutting tools with sharp cutting edges are less likely to bind and are easier to control.
  - g) **Use the power tool, accessories and tool bits etc. in accordance with these instructions, taking into account the working conditions and the work to be performed.** Use of the power tool for operations different from those intended could result in a hazardous situation.
  - h) **Keep handles and grasping surfaces dry, clean and free from oil and grease.** Slippery handles and grasping surfaces do not allow for safe handling and control of the tool in unexpected situations.
- 5) Battery tool use and care**
- a) **Recharge only with the charger specified by the manufacturer.** A charger that is suitable for one type of battery pack may create a risk of fire when used with another battery pack.
  - b) **Use power tools only with specifically designated battery packs.** Use of any other battery packs may create a risk of injury and fire.
  - c) **When battery pack is not in use, keep it away from other metal objects, like paper clips, coins, keys, nails, screws or other small metal objects, that can make a connection from one terminal to another.** Shorting the battery terminals together may cause burns or a fire.
  - d) **Under abusive conditions, liquid may be ejected from the battery; avoid contact. If contact accidentally occurs, flush with water. If liquid contacts eyes, additionally seek medical help.** Liquid ejected from the battery may cause irritation or burns.
  - e) **Do not use a battery pack or tool that is damaged or modified.** Damaged or modified batteries may exhibit unpredictable behaviour resulting in fire, explosion or risk of injury.
  - f) **Do not expose a battery pack or tool to fire or excessive temperature.** Exposure to fire or temperature above 266 °F (130 °C) may cause explosion.
  - g) **Follow all charging instructions and do not charge the battery pack or tool outside the temperature range specified in the instructions.** Charging improperly or at temperatures outside the specified range may damage the battery and increase the risk of fire.
  - 6) **Service**
    - a) **Have your power tool serviced by a qualified repair person using only identical replacement parts.** This will ensure that the safety of the power tool is maintained.
    - b) **Never service damaged battery packs.** Service of battery packs should only be performed by the manufacturer or authorized service providers.

## SAFETY INSTRUCTIONS FOR ALL SAWS

### CUTTING PROCEDURES

- a)  **DANGER: Keep hands away from cutting area and the blade. Keep your second hand on auxiliary handle, or motor housing.** If both hands are holding the saw, they cannot be cut by the blade.
- b) **Do not reach underneath the workpiece.** The guard cannot protect you from the blade below the workpiece.
- c) **Adjust the cutting depth to the thickness of the workpiece.** Less than a full tooth of the blade teeth should be visible below the workpiece.
- d) **Never hold the workpiece in your hands or across your leg while cutting. Secure the workpiece to a stable platform.** It is important to support the work properly to minimise body exposure, blade binding, or loss of control.
- e) **Hold the power tool by insulated gripping surfaces, when performing an operation where the cutting tool may contact hidden wiring.** Contact with a "live" wire will also make exposed metal parts of the power tool "live" and could give the operator an electric shock.
- f) **When ripping, always use a rip fence or straight edge guide.** This improves the accuracy of cut and reduces the chance of blade binding.
- g) **Always use blades with correct size and shape (diamond versus round) of arbour holes.** Blades that do not match the mounting hardware of the saw will run off-centre, causing loss of control.
- h) **Never use damaged or incorrect blade washers or bolt.** The blade washers and bolt were specially designed for your saw, for optimum performance and safety of operation.

## FURTHER SAFETY INSTRUCTIONS FOR ALL SAWS

Kickback causes and related warnings

—kickback is a sudden reaction to a pinched, jammed or misaligned saw blade, causing an uncontrolled saw to lift up and out of the workpiece toward the operator; —when the blade is pinched or jammed tightly by the kerf closing down, the blade stalls and the motor reaction drives the unit rapidly back toward the operator; —if the blade becomes twisted or misaligned in the cut, the teeth at the back edge of the blade can dig into the top surface of the wood causing the blade to climb out of the kerf and jump back toward the operator. Kickback is the result of saw misuse and/or incorrect operating procedures or conditions and can be avoided by taking proper precautions as given below.

- a) **Maintain a firm grip with both hands on the saw and position your arms to resist kickback forces. Position your body to either side of the blade, but not in line with the blade.** *Kickback could cause the saw to jump backwards, but kickback forces can be controlled by the operator, if proper precautions are taken.*
- b) **When blade is binding, or when interrupting a cut for any reason, release the trigger and hold the saw motionless in the material until the blade comes to a complete stop. Never attempt to remove the saw from the work or pull the saw backward while the blade is in motion or kickback may occur.** *Investigate and take corrective actions to eliminate the cause of blade binding.*
- c) **When restarting a saw in the workpiece, centre the saw blade in the kerf so that the saw teeth are not engaged into the material.** *If a saw blade binds, it may walk up or kickback from the workpiece as the saw is restarted.*
- d) **Support large panels to minimise the risk of blade pinching and kickback.** *Large panels tend to sag under their own weight. Supports must be placed under the panel on both sides, near the line of cut and near the edge of the panel.*
- e) **Do not use dull or damaged blades.** *Unsharpened or improperly set blades produce narrow kerf causing excessive friction, blade binding and kickback.*
- f) **Blade depth and bevel adjusting locking levers must be tight and secure before making the cut.** *If blade adjustment shifts while cutting, it may cause binding and kickback.*
- g) **Use extra caution when sawing into existing walls or other blind areas.** *The protruding blade may cut objects that can cause kickback.*

## SAFETY INSTRUCTIONS FOR SAWS WITH INNER PENDULUM GUARD

### LOWER GUARD FUNCTION

- a) **Check the lower guard for proper closing before each use. Do not operate the saw if the lower guard does not move freely and close instantly. Never clamp or tie the lower guard into the open position.** *If the saw is accidentally dropped, the lower guard may be bent. Raise the*

*lower guard with the retracting handle and make sure it moves freely and does not touch the blade or any other part, in all angles and depths of cut.*

- b) **Check the operation of the lower guard spring. If the guard and the spring are not operating properly, they must be serviced before use.** *Lower guard may operate sluggishly due to damaged parts, gummy deposits, or a build-up of debris.*
- c) **The lower guard may be retracted manually only for special cuts such as "plunge cuts" and "compound cuts."** *Raise the lower guard by retracting handle and as soon as the blade enters the material, the lower guard must be released. For all other sawing, the lower guard should operate automatically.*
- d) **Always observe that the lower guard is covering the blade before placing the saw down on bench or floor.** *An unprotected, coasting blade will cause the saw to walk backwards, cutting whatever is in its path. Be aware of the time it takes for the blade to stop after switch is released.*

## ADDITIONAL SAFETY RULES FOR YOUR CIRCULAR SAW











1. Only use saw blades recommended in the specification.
2. Do not use any abrasive wheels.
3. Use only blade diameter(s) in accordance with the markings.
4. Identify the correct saw blade to be used for the material to be cut.
5. Use only saw blades that are marked with a speed equal or higher than the speed marked on the tool.

## SAFETY WARNINGS FOR BATTERY PACK



- a) **Do not dismantle, open or shred battery pack.**
- b) **Do not expose battery pack to heat or fire. Avoid storage in direct sunlight.**
- c) **Do not short-circuit a battery pack. Do not store battery packs haphazardly in a box or drawer where they may short-circuit each other or be short-circuited by other metal objects.** *When battery pack is not in use, keep it away from other metal objects, like paper clips, coins, keys, nails, screws or other small metal objects, that can make a connection from one terminal to another. Shorting the battery terminals together may cause burns or fire.*
- d) **Do not remove battery pack from its original packaging until required for use.**
- e) **Do not subject battery pack to mechanical shock.**
- f) **In the event of battery leaking, do not allow the liquid to come in contact with the skin or eyes. If contact has been made, wash the affected area with copious amounts of water and seek medical advice.**
- g) **Observe the plus (+) and minus (-) marks on the battery pack and equipment and ensure**



- correct use.**
- h) Do not use any battery pack which is not designed for use with the equipment.**
  - i) Keep battery pack out of the reach of children.**
  - j) Seek medical advice immediately if a cell or battery has been swallowed.**
  - k) Always purchase the battery pack recommended by the device manufacturer for the equipment.**
  - l) Keep battery pack clean and dry.**
  - m) Wipe the battery pack terminals with a clean dry cloth if they become dirty.**
  - n) Battery pack needs to be charged before use. Always use the correct charger and refer to the manufacturer's instructions or equipment manual for proper charging instructions.**
  - o) Do not leave battery pack on prolonged charge when not in use.**
  - p) After extended periods of storage, it may be necessary to charge and discharge the battery pack several times to obtain maximum performance.**
  - q) Battery pack gives its best performance when it is operated at normal room temperature (68 °F ± 9 °F) (20 °C ± 5 °C).**
  - r) When disposing of battery packs, keep battery packs of different electrochemical systems separate from each other.**
  - s) Recharge only with the charger specified by WorxNITRO. Do not use any charger other than that specifically provided for use with the equipment.** A charger that is suitable for one type of battery pack may create a risk of fire when used with another battery pack.
  - t) Retain the original product literature for future reference.**
  - u) Use only the battery pack in the application for which it was intended.**
  - v) Remove the battery pack from the equipment when not in use.**
  - w) Dispose of properly.**

	Wear dust mask
	Batteries may enter water cycle if disposed improperly, which can be hazardous for ecosystem. Do not dispose of waste batteries as unsorted municipal waste.
	Do not burn
	Li-Ion battery, battery must be recycled
	Make sure the battery is removed prior to changing accessories.
	Wear protective gloves
	Wood
	Lock
	Unlock
	TCT blade

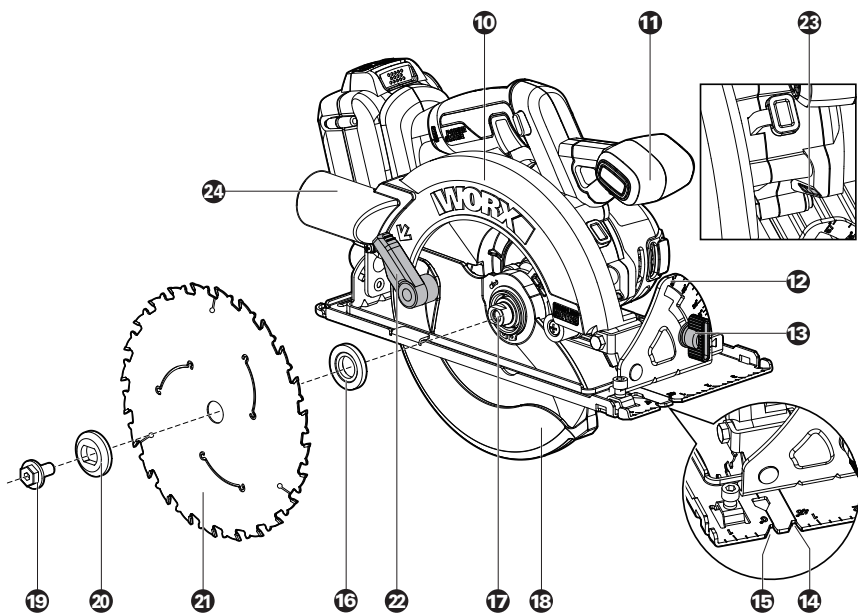
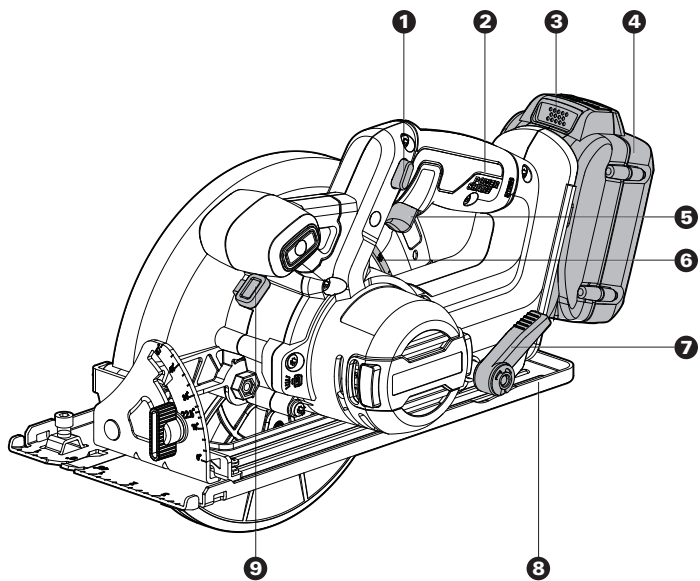
## SYMBOL

	To reduce the risk of injury, user must read instruction manual
	Warning
	Wear ear protection
	Wear eye protection



**call2recycle®**

POSITEC Inc. has established a partnership with the RBRC Corporation to recycle any Positec batteries with the RBRC-call2recycle seal. For environmental protection, please do not discard batteries in the trash. After the batteries' life cycle is ended, then please call 1-800-822-8837 for a free service that will properly dispose of the battery.




# COMPONENT LIST

<b>1. LOCK-OFF BUTTON</b>
<b>2. HANDGRIP</b>
<b>3. BATTERY PACK RELEASE BUTTON *</b>
<b>4. BATTERY PACK *</b>
<b>5. ON/OFF SWITCH</b>
<b>6. CUTTING DEPTH SCALE</b>
<b>7. CUTTING DEPTH LOCK LEVER</b>
<b>8. BASE PLATE</b>
<b>9. SPINDLE LOCK BUTTON</b>
<b>10. FIXED GUARD</b>
<b>11. FRONT HANDLE</b>
<b>12. BASE PLATE ANGLE SCALE</b>
<b>13. BASE PLATE BEVEL LOCK KNOB</b>
<b>14. CUTTING MARK, 45°</b>
<b>15. CUTTING MARK, 0°</b>
<b>16. INNER FLANGE</b>
<b>17. SPINDLE</b>
<b>18. LOWER BLADE GUARD</b>
<b>19. BLADE BOLT</b>
<b>20. OUTER FLANGE</b>
<b>21. SAW BLADE</b>
<b>22. LOWER GUARD LEVER</b>
<b>23. LED WORKING LIGHT</b>
<b>24. DUST ADAPTOR *</b>

\* Not all the accessories illustrated or described are included in standard delivery.

## TECHNICAL DATA

Type **WX520L WX520L.X (5 - designation of machinery, representative of circular saw)**

	<b>WX520L WX520L.X **</b>
Voltage	20 V  Max. ***
No load speed	6100 /min

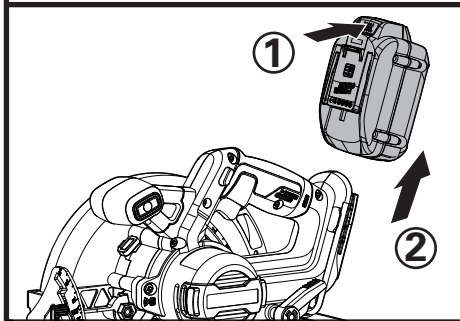
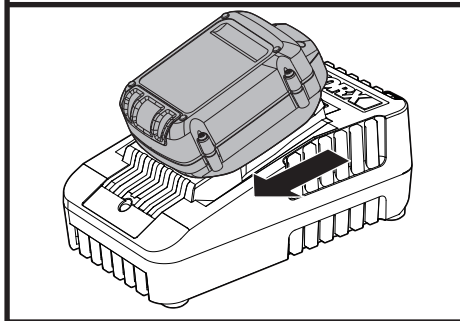
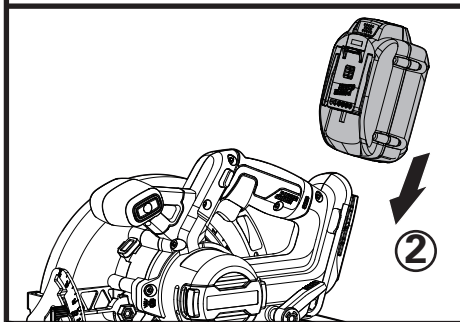
Blade size		7-1/4 inch (184 mm)
Blade arbor		5/8 inch (16 mm)
Saw blade thickness	TCT blade	1/16 inch (1.6 mm)
Max cutting depth		2-9/16 inch (65 mm)
Cutting capacity	Cutting Depth at 45°	1-13/16 inch (46 mm)
	Cutting Depth at 90°	2-9/16 inch (65 mm)
Bevel capacity		0-57°
Machine weight(bare tool)		6.4 lbs (2.9 kg)

\*\*X may be followed by one or two characters. All models are the same except model number and trademark. The suffix in models may be number from "1" to "999" or English letter "A" to "Z" or "M1" to "M9" which means different package or the various of accessories packed in the package.

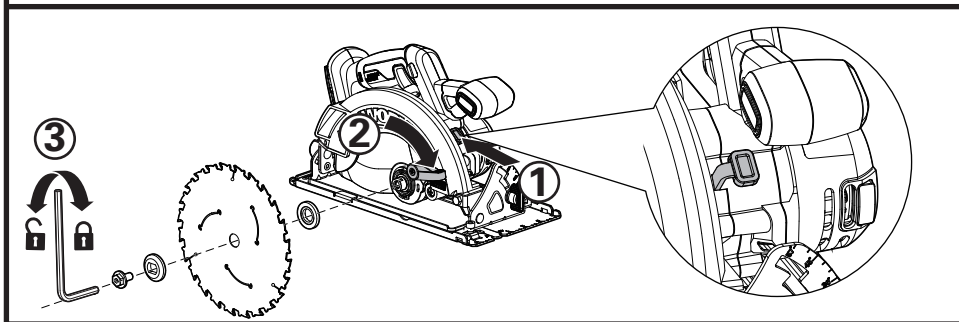
\*\*\*Voltage measured without workload. Initial battery voltage reaches maximum of 20 volts. Nominal voltage is 18 volts.

Category	Type	Capacity	7
20V Battery	WA3520	1.5 Ah	
	WA3525	2.0 Ah	
	WA3575	2.0 Ah	
	WA3578	4.0 Ah	
	WA3012	4.0 Ah	
20V Charger	WA3742	0.4 A	
	WA3875	2.0 A	
	WA3881	2.0 A	

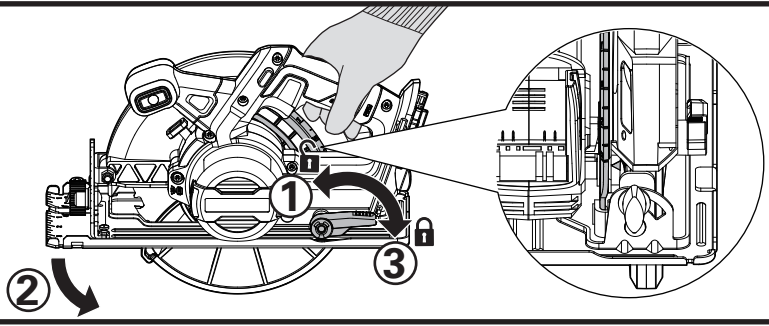
We recommend that you purchase your accessories from the same store that sold you the tool. Refer to the accessory packaging for further details. Store personnel can assist you and offer advice.

**A1****A2****A3**

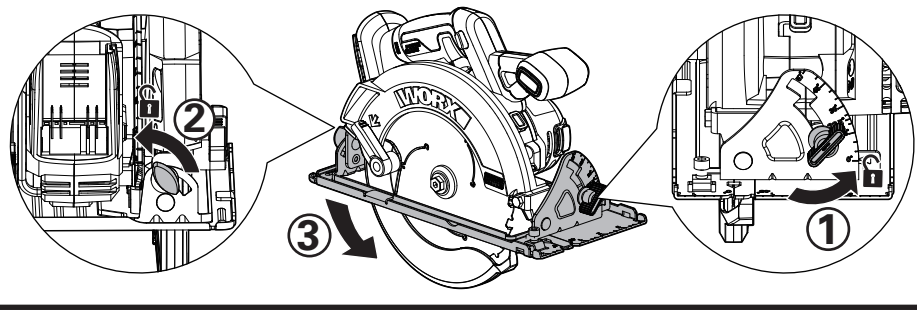
8

**B**

**C**

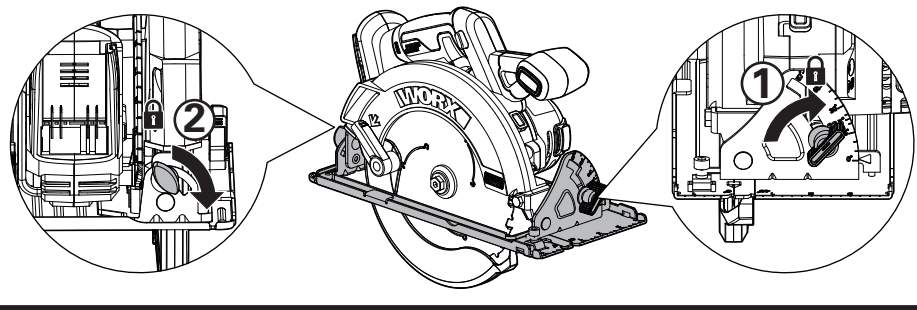


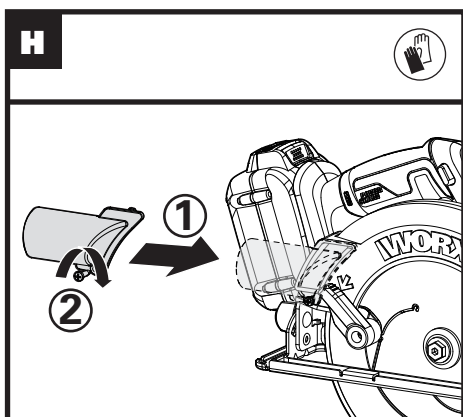
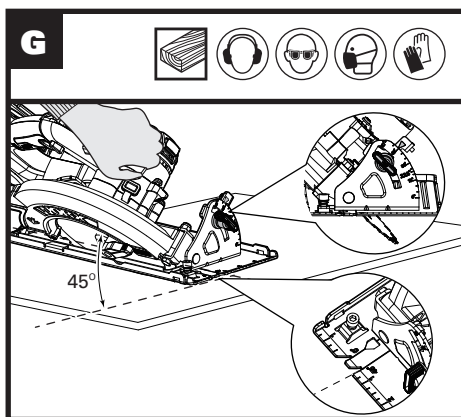
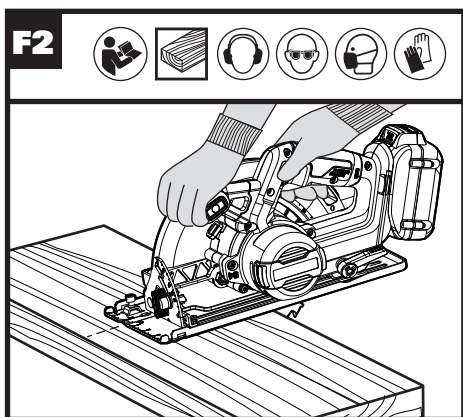
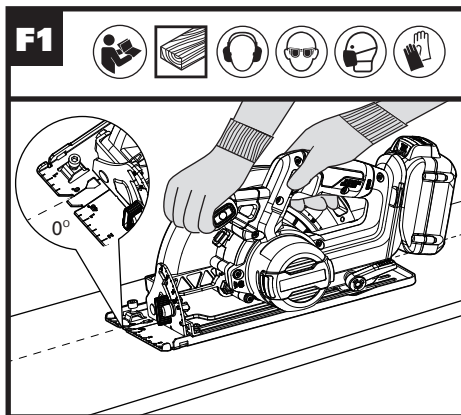
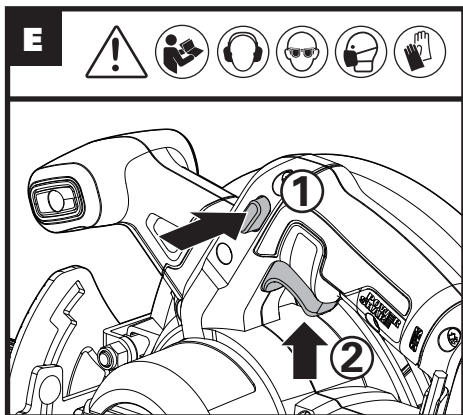
**D1**



9

**D2**







## OPERATING INSTRUCTIONS



**NOTE:** Before using the tool, read the instruction book carefully.



**WARNING: Do not release the handle until the saw blade come to complete stop and do not touch saw blade while the saw blade is running.**

### INTENDED USE:

The tool is intended for ripping and cross-cutting wood and other materials in straight cutting lines, while resting firmly on the work piece.

### Assembly and Operation

Action	Figure
<b>BEFORE OPERATION</b>	
Removing the battery pack	See Fig. A1
Charging the battery back	See Fig. A2
Installing the battery pack	See Fig. A3
<b>ASSEMBLY</b>	
Saw blade assembly and removing <b>NOTE:</b> Depress the spindle lock button to lock or loosen the blade bolt.	See Fig. B
<b>WARNING: Always remove the battery before changing the blade!</b>	
Cutting depth adjusting	See Fig. C
Base plate angle adjusting	See Fig. D1, D2
<b>OPERATION</b>	
Safety On/Off Switch <b>WARNING: To avoid cutting injury from the sharp blade, please don't put your hands around the Base Plate.</b> <b>NOTE:</b> Keep the dust adaptor connected to dust collecting device when using the tool.	See Fig. E
Rip and Cross Cutting <b>NOTE:</b> The cutting line of saw blade is aligned with the cutting mark 0°.	See Fig. F1, F2
Bevel cuts	See Fig. G
Sawdust removal <b>NOTE:</b> Dust adaptor is sold separately.	See Fig. H

## WORKING HINTS FOR YOUR TOOL

If your power tool becomes too hot, please run your circular saw no load for 2-3 minutes to cool the motor. Avoid prolonged usage at very low speeds.

Protect saw blades against impact and shock. Cutting with extreme force can significantly reduce the performance capability of the tool and reduces the service life of the saw blade. Sawing performance and cutting quality depend essentially on the condition and the tooth count of the saw blade. Therefore, use only sharp saw blades that are suited for the material being cut.

Choice of blades: 24 teeth for general work, approx. 40 teeth for finer cuts, more than 40 teeth for very fine cuts into delicate surfaces, diamond for tile, cement board, etc.

Only use saw blades recommended.

## MAINTAIN TOOLS WITH CARE

### Remove the battery before carrying out any adjustment, servicing or maintenance.

Keep tools sharp and clean for better and safer performance. Follow instructions for lubricating and changing accessories. Inspect tool cords periodically and if damaged, have repaired by authorized service facility. Your power tool requires no additional lubrication or maintenance. There are no user serviceable parts in your power tool. Never use water or chemical cleaners to clean your power tool. Wipe clean with a dry cloth. Always store your power tool in a dry place. Keep the motor ventilation slots clean. Keep all working controls free of dust.

Periodically clear dust and chips from guard and base to ensure proper performance.

## FOR BATTERY TOOLS

The ambient temperature range for the use and storage of tool and battery is 32 °F-113 °F (0°C-45°C).

The recommended ambient temperature range for the charging system during charging is 32 °F-104 °F (0°C-40°C).

## TROUBLE SHOOTING

Symptom	Possible Causes	Possible Solution
Tool will not start when operating the on/off switch.	Battery pack not plugged in. Battery pack is powered off.	Check to make sure battery pack is connected well into a working outlet. Charge the battery.
Cutting depth is less than that is set.	Sawdust accumulated at the rear of the base.	Shake out sawdust. Consider connecting a vacuum for dust collection.
Blade spins or slips.	Blade is not tightly engaged with the spindle.	Remove the blade, and reassemble it as described in <b>Saw Blade Assembly and Removing</b> section.
Blade will not cut a straight line.	Blade is dull. Blade is not mounted properly. Saw is not being guided properly.	Mount a new, sharp blade on the saw. Check that blade is properly mounted. Use a parallel guide.
Blade kicks back when beginning a cut.	Blade is not spinning fast enough.	Allow the saw blade to reach full speed prior to beginning a cut in the material.

# SÉCURITÉ DU PRODUIT

**AVERTISSEMENT!** Certaines des poussières produites en utilisant des outils électriques sont considérées par l'État de Californie comme susceptibles de provoquer le cancer, des anomalies congénitales et d'autres problèmes de reproduction. Voici des exemples de ces produits chimiques:

- Plomb issu de peinture à base de plomb;
- Silice cristalline issue de briques et du ciment et autres produits de maçonnerie;
- Arsenic et chrome issus de bois traité chimiquement.

Votre risque de ces expositions varie en fonction de la fréquence à laquelle vous effectuez ce travail. Pour réduire votre exposition à ces produits chimiques: travaillez dans une zone bien ventilée; portez un équipement de sécurité approuvé, tel que des masques anti poussières spécialement conçus pour éliminer les particules microscopiques par filtrage.

**AVERTISSEMENT:** Ce dispositif peut vous exposer aux produits chimiques notamment le plomb et le di-phtalate (de 2-éthylhexyle) (DEHP) qui sont reconnus dans l'État de Californie comme causant des cancers et des anomalies congénitales ou d'autres anomalies de la reproduction. Pour en savoir plus, veuillez consulter le site [www.P65Warnings.ca.gov](http://www.P65Warnings.ca.gov).

## AVERTISSEMENTS GÉNÉRAUX CONCERNANT LA SÉCURITÉ DES OUTILS ÉLECTRIQUES

**AVERTISSEMENT!** Lisez et assimilez toutes les instructions. Le non-respect des instructions ci-après peut entraîner un risque de choc électrique, d'incendie et/ou de blessures graves.

Conservez tous les avertissements et instructions pour pouvoir les consulter ultérieurement.

L'expression « outil électrique » dans tous les avertissements énumérés ci-dessous se réfère à votre outil électrique fonctionnant sur secteur (branché) ou à batterie (sans-fil).

### 1. AIRE DE TRAVAIL

- Veillez à ce que l'aire de travail soit propre et bien éclairée.** Le désordre et le manque de lumière favorisent les accidents.
- N'utilisez pas d'outils électriques dans un milieu présentant un risque d'explosion, par exemple en présence de liquides, de gaz ou de poussières inflammables.** Les outils électriques créent des étincelles qui pourraient enflammer les poussières ou les vapeurs.
- Gardez à distance les curieux, les enfants et les**

visiteurs lorsque vous travaillez avec un outil électrique. Ils pourraient vous distraire et vous faire faire une fausse manœuvre.

### 2. SÉCURITÉ ÉLECTRIQUE

- Les fiches des outils électriques doivent correspondre aux prises murales. Ne jamais modifier la fiche de quelque façon que ce soit. Ne pas utiliser de fiches d'adaptation avec des outils électriques mis à la terre (mis à la masse).** Des fiches non modifiées et des prises qui leur correspondent réduiront le risque de choc électrique.
- Évitez tout contact corporel avec des surfaces mises à la terre (tuyauterie, radiateurs, cuisinières, réfrigérateurs, etc.).** Le risque de choc électrique est plus grand si votre corps est en contact avec la terre.
- N'exposez pas les outils électriques à la pluie ou à l'eau.** La présence d'eau dans un outil électrique augmente le risque de choc électrique.
- Ne maltraitez pas le cordon. Ne transportez jamais l'outil par son cordon et ne débranchez jamais la fiche en tirant sur le cordon. N'exposez pas le cordon à la chaleur, à des huiles, à des arrêtes vives ou à des pièces en mouvement.** Un cordon endommagé augmente le risque de choc électrique.
- Lorsque vous utilisez un outil électrique à l'extérieur, utilisez un prolongateur adapté à une utilisation en extérieur.** L'utilisation d'un cordon adapté à une utilisation extérieure réduit le risque de choc électrique.
- Si vous devez utiliser un outil électrique dans un endroit humide, utilisez un dispositif de courant résiduel (RCD) d'alimentation protégée. L'utilisation d'un RCD réduit le risque de choc électrique.**

### 3. SÉCURITÉ DES PERSONNES

- Restez alerte, concentrez-vous sur votre travail et faites preuve de bon sens. N'utilisez pas un outil électrique si vous êtes fatigué ou sous l'influence de drogues, d'alcool ou de médicaments.** Un instant d'inattention lors de l'utilisation d'outils électriques peut entraîner des blessures graves.
- Utilisez des accessoires de sécurité. Portez toujours une protection oculaire.** De l'équipement de sécurité tel que le masque antipoussière, les chaussures de sécurité antidérapantes, des casques durs ou des protections antibruit utilisés dans des conditions appropriées réduiront les blessures corporelles.
- Évitez les démarrages accidentels. Avant d'insérer la batterie dans l'outil, assurez-vous que son interrupteur est en position « OFF » (Arrêt) ou verrouillée.** Le fait de transporter un outil avec le doigt sur la détente/l'interrupteur ou d'insérer la batterie dans un outil dont la détente est en position « ON » (Marche) peut causer un accident.
- Retirer les clés de réglage avant de mettre l'outil sous tension.** Une clé restée attachée à une partie mobile de l'outil pourrait entraîner des blessures corporelles.
- Ne vous penchez pas trop en avant. Maintenez un**

### **bon appui et restez en équilibre en tout temps.**

Une bonne stabilité vous permet de mieux réagir à une situation inattendue.

- f) Habillez-vous convenablement. Ne portez ni vêtements flottants ni bijoux. Gardez les cheveux, les vêtements et les gants éloignés des pièces en mouvement.** Les vêtements flottants, les bijoux ou les cheveux longs risquent d'être happés par des pièces en mouvement.
- g) Si un sac de récupération de la poussière est fourni avec un connecteur pour aspirateur, assurez-vous qu'il est correctement relié et utilisé de façon appropriée.** L'utilisation de ce système réduit les dangers physiques et physiologiques liés à la poussière.
- h) Ne laissez pas les habitudes acquises par une utilisation fréquente d'outils relâcher notre vigilance et ignorer les principes de sécurité des outils.** Une utilisation négligente peut causer des blessures graves en une fraction de seconde.

### **4. UTILISATION ET ENTRETIEN DE L'OUTIL**

- a) Ne forcez pas l'outil. Utilisez l'outil approprié à la tâche.** L'outil approprié fonctionne mieux et de façon plus sécuritaire. Respectez aussi la vitesse de travail qui lui est propre.
- b) N'utilisez pas un outil si l'interrupteur ne le met pas en marche ou ne peut l'arrêter.** Un outil qui ne peut être contrôlé par l'interrupteur est dangereux et doit être réparé.
- c) Débranchez la batterie de l'outil ou mettez son interrupteur en position « OFF » (Arrêt) ou « LOCKED » (Verrouillé) avant d'effectuer un réglage, de changer d'accessoire ou de ranger l'outil.** De telles mesures de sécurité préventive réduisent le risque de démarrage accidentel de l'outil.
- d) Rangez les outils hors de portée des enfants et d'autres personnes inexpérimentées.** Les outils sont dangereux dans les mains d'utilisateurs novices.
- e) Prenez soin de bien entretenir les outils. Soyez attentif à tout désalignement ou coincement des pièces en mouvement, à tout bris ou à toute autre condition préjudiciable au bon fonctionnement de l'outil. Si vous constatez qu'un outil est endommagé, faites-le réparer avant de vous en servir.** De nombreux accidents sont causés par des outils en mauvais état.
- f) Les outils de coupe doivent être toujours bien affûtés et propres.** Des outils bien entretenus, dont les arêtes sont bien tranchantes, sont moins susceptibles de se coincer et plus faciles à contrôler.
- g) Utilisez l'outil électrique, les accessoires et les forets etc., en conformité avec ces instructions et de la manière conçue pour le type particulier d'outil électrique, prend en compte les conditions de travail et le travail qui doit être accompli.** L'emploi de l'outil électrique pour des opérations différentes de celles pour lesquelles il a été conçu pourrait entraîner une situation dangereuse.
- h) Maintenez les poignées et les surfaces de prise sèches, propres et exemptes d'huile et de graisse.** Des poignées et surfaces de prise glissantes ne

permettent pas une manipulation et un contrôle sécurisés de l'outil dans des situations inattendues.

### **5. UTILISATION DE LA BATTERIE ET ENTRETIEN**

- a) Un outil à batterie avec batteries incorporées ou une batterie séparée doit être rechargé uniquement avec le chargeur indiqué pour la batterie.** Un chargeur qui peut être adéquat pour un type de batterie peut créer un risque d'incendie lorsqu'il est utilisé avec une autre batterie.
  - b) Utilisez un outil à batterie uniquement avec la batterie désignée.** L'emploi de toute autre batterie peut créer un risque d'incendie.
  - c) Lorsque la batterie n'est pas utilisée, tenez-la à l'écart d'autres objets métalliques tels que trombones, pièces de monnaie, clés, clous, vis ou autres petits objets métalliques susceptibles d'établir une connexion d'une borne à une autre.** Le court-circuitage des bornes de batterie peut causer des étincelles, des brûlures, une explosion ou un incendie.
  - d) Dans le cadre de conditions d'abus, du fluide peut être éjecté de la batterie, évitez tout contact. Si un contact se produisait accidentellement, rincez abondamment avec de l'eau. Si le fluide touche les yeux, cherchez en plus de la mesure précédente de l'aide médicale.** Le fluide éjecté de la batterie peut causer des irritations ou des brûlures.
  - e) N'utilisez pas une batterie ou un outil endommagé ou modifié.** Les batteries endommagées ou modifiées peuvent avoir un comportement imprévisible entraînant un incendie, une explosion ou un risque de blessure.
  - f) N'exposez pas une batterie ou un outil au feu ou à une température excessive.** Une exposition au feu ou à une température supérieure à 130°C (266°F) pourrait provoquer une explosion.
  - g) Respectez toutes les instructions de chargement et ne chargez pas la batterie ou l'outil en dehors de la plage de température spécifiée dans les instructions.** Un chargement incorrect ou à des températures en dehors de la plage spécifiée peut endommager la batterie et augmenter le risque d'incendie.
- ### **6. ENTRETIEN**
- a) Ayez votre outil électrique entretenu par un réparateur agréé n'utilisant que des pièces de rechange identiques.** Cela assure que la sécurité de l'outil électrique est maintenue.
  - b) Ne jamais tenter de réparer des batteries endommagées.** L'entretien et la réparation des batteries doit uniquement être effectué par le fabricant ou par des centres de services agréés.

## **MESURES DE SÉCURITÉ POUR TOUT TYPE DE SCIE**

### **PROCÉDURES DE COUPE**

- a)  AVERTISSEMENT: Garder vos mains éloignées de la zone de coupe et de la**

**lame. Gardez votre deuxième main sur la poignée auxiliaire ou le carter du moteur.** Si les deux mains tiennent la scie, elles ne peuvent pas être coupées par la lame.

- b) Ne vous abaissez pas en dessous de la pièce à travailler.** La protection ne vous protège pas de la lame en dessous de la pièce à travailler.
- c) Ajuster la profondeur de coupe à l'épaisseur de la pièce à travailler.** Moins d'une dent de la lame devrait être visible sous la pièce de bois.
- d) Ne jamais tenir une pièce qui est entrain d'être coupée dans les mains ou sur les genoux.** Il est important de maintenir correctement la pièce à travailler pour réduire les risques d'exposition corporelle, de dérapage de la lame ou de perte de contrôle.
- e) Lors de l'exécution d'une opération au cours de laquelle l'outil de coupe peut venir en contact avec les fils cachés ou son propre cordon, tenez l'outil par ses surfaces isolées de préhension.** Le contact avec un fil sous tension rendra les pièces métalliques exposées de l'outil sous tension et causera des chocs à l'opérateur.
- f) Toujours utiliser un guide à refendre ou un guide à bord droit pour refendre.** Cela améliore la précision de la coupe et réduit les risques de dérapage de la lame.
- g) Toujours utiliser des lames à la bonne taille et à la bonne forme de trou (diamant ou rond) s'adaptant sur l'arbre.** Les lames qui ne conviennent pas à la scie tourneront de manière incontrôlée.
- h) Ne jamais utiliser de boulon ou rondelles endommagés ou incorrects.** Les rondelles et le boulon ont été spécialement conçus pour la scie, pour une performance optimale et pour une utilisation en toute sécurité.

## MESURES DE SÉCURITÉ SUPPLÉMENTAIRES POUR TOUT TYPE DE SCIE CAUSES ET PRÉVENTION DES EFFETS DE REBOND

### Causes et prévention des effets de rebond:

- L'effet de rebond est une réaction soudaine d'une lame de scie mal alignée, tordue ou grippée qui dévie la scie de la pièce de bois vers l'utilisateur.
- Lorsque la lame est pincée ou grippée à l'extrémité du trait de scie, la lame se bloque et la réaction du moteur ramène très rapidement l'unité en direction de l'utilisateur.
- Si la lame se tord ou s'aligne mal dans la coupe, la dent de l'extrémité arrière de la lame peut plonger dans la surface supérieure du bois et la lame peut sortir du trait de scie pour être projetée vers l'utilisateur.

L'effet de rebond est le résultat d'une mauvaise utilisation de la scie et/ou de procédures ou de

conditions d'utilisation incorrectes et peut être évité en suivant les instructions ci-dessous.

- a) Maintenir fermement la scie et positionner les bras pour résister aux forces de l'effet de rebond. Positionner le corps de chaque côté de la lame mais non dans le prolongement de celle-ci.** L'effet de rebond pourrait faire sauter la scie en arrière mais ces forces peuvent être contrôlées par l'utilisateur si les mesures nécessaires sont prises.
- b) Lorsque la lame se grippe ou lorsque la coupe est interrompue pour quelques raisons, relâcher l'interrupteur et maintenir la scie dans la pièce de bois jusqu'à l'arrêt complet de l'outil. Ne jamais essayer de retirer la scie du travail ou de tirer la scie en arrière lorsque la lame est en marche ou un effet de rebond pourrait se produire.** Chercher la cause du grippage de la lame et prendre les mesures correctives.
- c) Lors du redémarrage de la scie dans la pièce de bois, centrer la scie dans la ligne de coupe et vérifier que les dents de la scie ne sont pas engagées dans la pièce.** Si la lame de scie est grippée, elle pourrait sauter hors de la pièce de bois lors du redémarrage de la scie.
- d) Supporter les gros panneaux afin de réduire le risque de pincement ou de retour en arrière de la lame.** Les gros panneaux ont tendance à fléchir sous leur propre poids. Des supports doivent être placés sous la planche de chaque côté, près de la ligne de coupe et près du bord de la planche.
- e) Ne pas utiliser de lames émoussées ou endommagées.** Des lames non aiguisées ou incorrectes produisent des lignes de coupe étroites provoquant un frottement excessif, un grippage de la lame ou un effet de rebond.
- f) Les verrous de réglage de la profondeur de la lame et de l'angle de chanfreinage doivent être fixés fermement et en toute sécurité avant d'effectuer la coupe.** Si les leviers de serrage de la lame se desserraient pendant la coupe, cela pourrait provoquer le grippage de la lame ou un effet de rebond.
- g) Être davantage prudent lors de la sciage sur des murs existants ou sur d'autres surfaces opaques.** Si la saillie de lame entre en contact avec d'autres objets en arrière de la surface ceci pourrait provoquer un rebond de la scie.

## INSTRUCTIONS DE SÉCURITÉ DE TRAVAIL AVEC VOTRE SCIE CIRCULAIRE - EN UTILISANT LE GARDE INTERNE DE MOUVEMENT PENDULAIRE

### Fonction de garde inférieure

- a) Avant chaque utilisation, vérifiez que le**

**protecteur soit bien refermé. Ne pas mettre la scie en marche si le protecteur ne bouge pas librement et ne se ferme pas instantanément. Ne jamais bloquer ou attacher le protecteur en position ouverte.** Si la scie est accidentellement échappée, le protecteur peut se tordre. Assurez-vous qu'il bouge librement et ne touche pas la lame ni aucune autre partie, dans tous les angles et profondeurs de coupe.

- b) Vérifier le bon fonctionnement du ressort du protecteur inférieur. Si le protecteur et le ressort ne fonctionnent pas correctement, ils doivent être réparés avant toute utilisation.** Le protecteur inférieur peut fonctionner lentement à cause de parties endommagées, de dépôts gommeux ou d'un amoncellement de débris.
- c) Assurez-vous que le socle de la scie ne se déplace pas pendant que vous procédez à une « coupe en plongée », surtout si les lames à biseau ne sont pas configurées à un angle de 90°.** Dans le cas contraire, les déplacements latéraux de la lame entraîneront des fixations ou de possibles reculs.
- d) Toujours s'assurer que le protecteur inférieur recouvre la lame avant de poser la scie sur l'établi ou sur le sol.** Une lame à nue, non protégée qui n'a pas fini de tourner fera reculer la scie qui tranchera tout ce qui se trouve sur son passage. Prendre en compte le temps nécessaire à la lame pour s'arrêter après que l'interrupteur ait été relâché.

**un tiroir où ils peuvent se court-circuiter ou être court-circuités par d'autres objets métalliques.** Lorsque le bloc batterie n'est pas utilisé, conservez-le loin d'autres objets métalliques, tels que des trombones, des pièces de monnaie, des clés, des clous, des vis ou d'autres objets métalliques de petite taille, qui pourraient établir une connexion d'un terminal à l'autre. Le fait de créer un court-circuit entre les bornes de la batterie peut causer des brûlures ou des incendies.

- d) Ne pas retirer la batterie de son emballage d'origine avant utilisation dans l'appareil.**
- e) Ne pas soumettre la batterie à des chocs mécaniques.**
- f) En cas de fuite de la batterie, ne pas laisser le liquide entrer en contact avec la peau ou les yeux. Si un contact a été effectué, laver la zone touchée avec beaucoup d'eau et consulter un médecin.**
- g) Respecter les marques plus (+) et moins (-) sur le bloc batterie et sur l'appareil et veiller à bien le positionner.**
- h) Ne pas utiliser de batterie qui n'a pas été conçue pour être utilisée avec cet appareil.**
- i) Maintenez la batterie hors de portée des enfants.**
- j) Consultez immédiatement un médecin si une cellule ou une batterie a été avalée.**
- k) Achetez toujours une batterie recommandée par le fabricant de l'appareil.**
- l) Conservez le bloc batterie propre et sec.**
- m) Essuyez les bornes de la batterie avec un chiffon propre et sec si elles deviennent sales.**
- n) La batterie doit être chargée avant son utilisation. Utilisez toujours le chargeur adapté et reportez-vous aux instructions du fabricant ou au manuel de l'équipement pour suivre les instructions concernant la procédure de charge.**
- o) Ne laissez pas le bloc batterie en charge prolongée lorsqu'il n'est pas utilisé.**
- p) Après de longues périodes de stockage, il peut être nécessaire de charger et de décharger la batterie plusieurs fois pour obtenir des performances optimales.**
- q) La batterie offre de meilleures performances lorsqu'elle est utilisée à température ambiante normale (20 °C ± 5 °C) (68 °F ± 9 °F).**
- r) Lors de l'élimination des batteries, conservez les blocs batteries de différents systèmes électrochimiques séparés les uns des autres.**
- s) Rechargez le bloc batterie uniquement avec le chargeur spécifié par WorxNITRO. N'utilisez pas un chargeur autre que celui spécifiquement conçu pour être utilisé avec l'équipement.** Un chargeur adapté à un type de batterie peut entraîner un risque d'incendie lorsqu'il est utilisé avec une autre batterie.
- t) Conservez la documentation originale du produit pour référence ultérieure.**
- u) Utilisez uniquement la batterie dans l'application pour laquelle elle a été prévue.**
- v) Retirez la batterie de l'équipement lorsqu'il n'est pas utilisé.**
- w) Éliminez la batterie de façon adéquate.**

## RÈGLES DE SÉCURITÉ SUPPLÉMENTAIRES - POUR LES SCIES CIRCULAIRES




1. Utilisez uniquement des lames recommandées dans les spécifications
2. Ne pas utiliser de meules.
3. Utilisez uniquement des lames dont le diamètre correspond aux marques.
4. Assurez-vous de sélectionner la lame appropriée à utiliser pour le type matériau à découper
5. Utilisez uniquement des lames de scie spécifiées pour une vitesse égale ou supérieure à la vitesse indiquée sur l'outil.

## CONSIGNES GÉNÉRALES DE SÉCURITÉ CONCERNANT LA BATTERIE

- a) Ne pas démonter, ouvrir ou déchiqueter le bloc batterie.**
- b) Ne pas exposer le bloc batterie à la chaleur ou au feu. Évitez de ranger la batterie dans un endroit exposé à la lumière directe du soleil.**
- c) Ne pas court-circuiter une batterie. Ne stockez pas les blocs batterie en vrac dans une boîte ou**



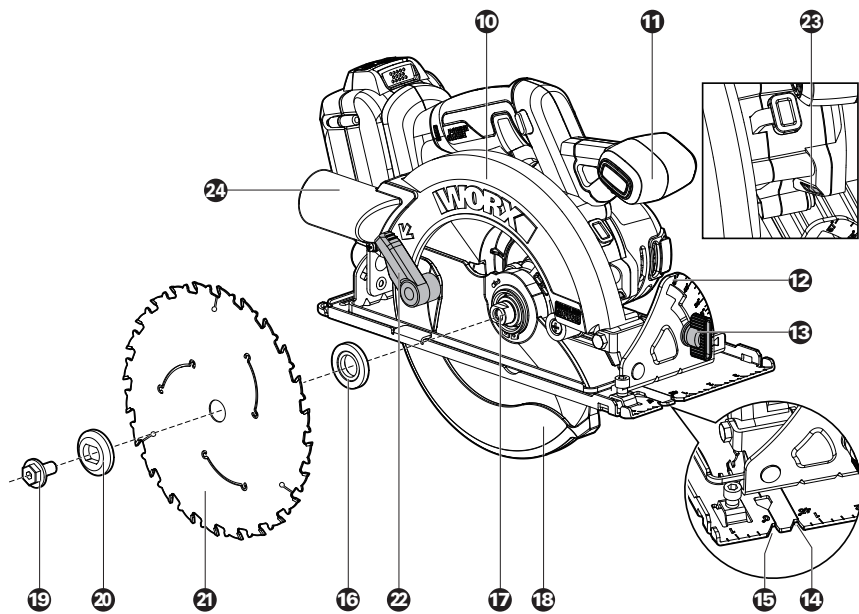
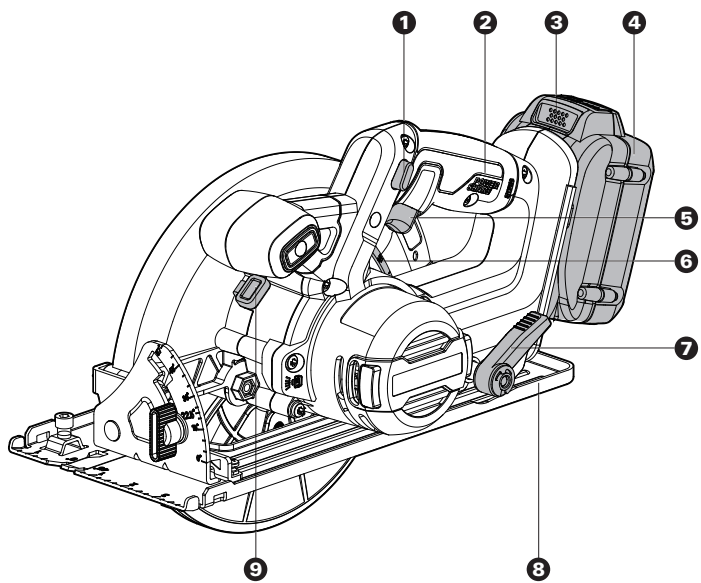
## SYMBOLES

	Afin de réduire les risques de blessure, l'utilisateur doit lire ce mode d'emploi
	Avertissement
	Portez une protection auditive.
	Portez un protecteur oculaire.
	Portez un masque anti poussières.
	Les batteries peuvent s'introduire dans le cycle de l'eau si elles sont éliminées de manière inappropriée, ce qui peut être dangereux pour l'écosystème. Ne pas éliminer les batteries usagées avec les déchets municipaux non triés.
	Ne pas jeter au feu
	Batterie Li-Ion. Les batteries doivent être recyclées en collecte sélective
	Par mesure de sécurité, enlevez la batterie avant de remplacer des accessoires.
	Toujours porter des gants de protection.
	Bois
	Lame à pointes de carbure de tungstène (TCT)
	Verrouiller
	Déverrouiller



call2recycle®

POSITEC Inc. a formé un partenariat avec RBRC Corporation pour le recyclage des batteries Positec portant le sceau RBRC-call2recycle. Pour la protection de l'environnement, veuillez à ne pas jeter les batteries aux poubelles. À la fin du cycle de vie de la batterie, appelez 1-800-822-8837 pour un service gratuit qui mettra la batterie au rebut selon les règles de l'art.




# LISTE DES ÉLÉMENTS

1. **BOUTON DE VERROUILLAGE**
2. **ZONES DE PRÉHENSION**
3. **MÉCANISME DE RETENUE DU BLOC-PILES \***
4. **BLOC-PILES \***
5. **INTERRUPTEUR MARCHE/ARRÊT**
6. **ÉCHELLE DE PROFONDEUR DE COUPE**
7. **BOUTON DE VERROUILLAGE DE PROFONDEUR DE COUPE**
8. **PLAQUE DE BASE**
9. **BOUTON DE VERROUILLAGE DE LA BROCHE**
10. **PROTECTION FIXE**
11. **POIGNÉE AVANT**
12. **ÉCHELLE D'ANGLE D'INCLINAISON DE LA PLAQUE DE BASE**
13. **BOUTON DE VERROUILLAGE DU BISEAU DE LA PLAQUE DE BASE**
14. **MARQUE DE COUPE, 45°**
15. **MARQUE DE COUPE, 0°**
16. **RONDELLE INTÉRIEURE**
17. **AXE**
18. **PROTECTEUR DE LAME RÉTRACTABLE**
19. **ECROU DE SERRAGE DE LAME**
20. **RONDELLE EXTÉRIEURE**
21. **LAME DE SCIE**
22. **LEVIER DU PROTECTEUR DE LAME INFÉRIEUR**
23. **LUMIÈRE DE VISIBILITÉ**
24. **ADAPTATEUR DE POUSSIÈRE \***

\* Les accessoires illustrés ou décrits ne sont pas tous compris dans le cadre de la livraison standard.

## DONNÉES TECHNIQUES

Type **WX520L WX520L.X (5- Désignation de la machine, correspondant à la scie)**

	<b>WX520L WX520L.X**</b>
Tension	20 V  Max.***
Vitesse à vide	6100 /min

Diamètre de lame		184 mm (7-1/4 po)
Alésage de lame		16 mm (5/8 po)
Épaisseur de lame en scie	Lame de TCT	1.6 mm (1/16 po)
Profondeur de coupe maximale		65 mm (2-9/16 po)
Profondeur maximale de coupe	Profondeur de coupe à 45°	46 mm (1-13/16 po)
	Profondeur de coupe à 90°	65 mm (2-9/16 po)
Angle de chanfrein		0-57°
Poids (Outil nu)		2.9 kg (6.4 lbs)

\*\*X peut être suivi d'un ou deux caractères. Tous les modèles sont identiques, sauf le numéro de modèle et la marque. Le suffixe dans les modèles peut être un nombre allant de « 1 » à « 999 » ou une lettre anglaise « A » à « Z » ou « M1 » à « M9 » qui signifie la différence entre les paquets ou les accessoires emballés dans l'emballage.


\*\*\* Tension mesurée hors fonctionnement. La tension initiale de la batterie atteint le maximum de 20 volts. La tension nominale est de 18 volts.

Catégorie	Modèle	Capacité
20V Batterie	WA3520	1.5 Ah
	WA3525	2.0 Ah
	WA3575	2.0 Ah
	WA3578	4.0 Ah
	WA3012	4.0 Ah
20V Chargeur	WA3742	0.4 A
	WA3875	2.0 A
	WA3881	2.0 A

Nous vous recommandons d'acheter vos accessoires dans le magasin qui vous a vendu l'outil. Pour de plus amples renseignements, consultez l'emballage de l'accessoire. Le personnel du magasin peut également vous conseiller.

# Scie circulaire sans fil 20V sans brosse

# INSTRUCTIONS D'UTILISATION

 **REMARQUE:** Avant d'utiliser cet outil, assurez-vous de lire attentivement le manuel d'utilisation.

 **AVERTISSEMENT: Ne relâchez pas la poignée jusqu'à ce que la lame de la scie ne s'arrête complètement et ne touchez pas la lame de la scie pendant que celle-ci est en marche.**


## UTILISATION PRÉVUE:

L'outil est conçu pour déchirer et couper en travers le bois et d'autres matériaux dans des lignes de coupe droites, tout en s'appuyant fermement sur la pièce à travailler.


## ASSEMBLAGE & FONCTIONNEMENT

ACTION	SCHEMA
<b>AVANT LE FONCTIONNEMENT</b>	
Retrait du bloc de batterie	Voir Fig. A1
Pile en recharge	Voir Fig. A2
Installation du bloc de batterie	Voir Fig. A3

## ASSEMBLAGE

Montage et démontage de la lame <b>REMARQUE:</b> Pour verrouille ou desserrer le boulon de la lame, il est nécessaire d'appuyer sur le bouton de verrouillage de la broche.	Voir Fig. B
 <b>AVERTISSEMENT: Toujours retirer la batterie avant de changer la lame!</b>	
Réglage de la profondeur de coupe	Voir Fig. C
Réglage de l'angle de la plaque de base	Voir Fig. D1, D2

## FONCTIONNEMENT

Interrupteur Marche/Arrêt  <b>AVERTISSEMENT: Pour éviter les possibles blessures d'une lame tranchante, ne placez pas vos mains autour de la plaque de base.</b> <b>REMARQUE:</b> Laissez l'adaptateur poussière connecté au aspirateur de poussière lors de l'utilisation de l'outil.	Voir Fig. E
Coupes de refente et coupes transversales <b>REMARQUE:</b> La ligne de coupe de la lame de scie devait aligner avec le trait de coupe à 0°.	Voir Fig. F1, F2
Coupe en biseau	Voir Fig. G

Evacuation de la sciure  
**REMARQUE:** L'adaptateur anti-poussière est vendu séparément.

Voir Fig. H

## CONSEILS POUR L'UTILISATION DE VOTRE SCIE CIRCULAIRE

Si votre outil devient trop chaud, laissez l'outil tourner à vide pendant 2 à 3 minutes pour refroidir le moteur. Évitez un usage prolongé à très basse vitesse.

Protéger les lames de scie contre les chocs et les coups. Une alimentation excessive réduit significativement la capacité de performance de la machine et réduit la durée de vie des lames de scie. La performance du sciage et la qualité de coupe dépendent essentiellement de la condition et de la forme des dents de la lame de scie. Par conséquent n'utiliser que des lames de scie aiguisées qui conviennent au matériel sur lequel vous devez travailler. Choix de lames : 24 dents pour le travail général, approximativement. 40 dents pour des coupes plus fines, plus de 40 dents pour des coupes très fines en surfaces délicates, disque diamanté pour carreau, planches de ciment, etc.

Utilisez uniquement les lames de scie recommandées.

## PRENEZ SOIN DE VOS OUTILS ET ENTRETENEZ LES BIEN

**Retirer le bloc-piles de l'outil avant d'effectuer tout ajustement, entretien ou maintenance.**

En les gardant bien affûtés et propres, vous en obtiendrez le rendement maximum dans des conditions optimales de sécurité. Suivez les instructions pour le graissage ou la pose et le démontage des accessoires. Inspectez les cordons d'alimentation à intervalles réguliers et, s'ils sont endommagés, faites-les réparer à un centre de service après-vente autorisé. Votre outil ne nécessite aucune lubrification ou entretien supplémentaire. Il ne comporte aucune pièce à réparer ou à entretenir par l'utilisateur. N'utilisez jamais de l'eau ou des nettoyeurs chimiques pour nettoyer l'outil. Essayez-le avec un chiffon sec. Rangez toujours votre outil dans un endroit sec. Gardez propres les ouvertures de ventilation du moteur. Assurez-vous que les commandes soient exemptes de poussière. Ôtez régulièrement la sciure et les copeaux de la sécurité et de la semelle afin de garantir une performance adéquate.

### Pour les outils de la batterie

La plage de température ambiante pour l'utilisation et le stockage de l'outil et de la batterie est 0 °C à 45 °C (32 °F-113 °F).

La plage de température ambiante recommandée pour le système de charge pendant la charge est de 0 °C à 40 °C (32 °F-104 °F).

# GUIDE DE DÉPANNAGE

Symptôme	Les causes possibles	Solution possible
Outil ne démarre pas lorsque vous utilisez l'interrupteur marche / arrêt.	Le bloc batterie n'est pas branché. Le bloc batteries est éteint.	Vérifiez que le bloc batterie est bien branché dans une prise qui fonctionne. Recharge de la batterie.
Profondeur de coupe est inférieure qui est définie.	Sciure accumulée à l'arrière de la base.	Secouez la sciure de bois. Envisager de connecter un vide pour la collecte de la poussière.
Rotation de la lame ou des bordereaux	Lame n'est pas étroitement en prise avec la broche.	Retirer la lame et la remonter selon les instructions décrites dans la section <b>Montage et démontage de la lame.</b>
Lame ne coupe pas une ligne droite.	Lame est émoussée. Lame n'est pas monté correctement. Saw n'est pas guidé correctement.	Monter une nouvelle lame tranchante sur la scie. Assurez-vous que la lame est correctement monté. Utilisez un guide parallèle.
Lame coups de pied arrière lorsque l'on commence une coupe	Lame ne tourne pas assez vite	Laisser la lame atteindre sa vitesse maximale avant de commencer une coupe dans le matériau.

# SEGURIDAD DEL PRODUCTO

**⚠ ADVERTENCIA!** El polvo originado por la utilización de herramientas motorizadas contiene químicos que, según el Estado de California, causan cáncer, defectos congénitos y otros daños reproductivos. Algunos ejemplos de esos productos químicos son:

- El plomo de las pinturas a base de plomo
- La sílice cristalina de los ladrillos, del cemento y de otros productos de albañilería
- El arsénico y el cromo de la madera tratada químicamente

El riesgo que se corre a causa del contacto con esos productos varía según la frecuencia con que usted realice este tipo de trabajos. Con el fin de reducir su exposición a esas substancias químicas, trabaje en un área bien ventilada; utilice un equipo de seguridad adecuado, tal como una máscara contra el polvo especialmente diseñada para filtrar partículas microscópicas.

**⚠ ADVERTENCIA:** Este producto puede exponerlo a sustancias químicas, como plomo y di (2-etilhexilo) ftalato (DEHP), que el estado de California reconoce como causantes de cáncer y defectos de nacimiento u otros daños reproductivos. Para más información visite [www.P65Warnings.ca.gov](http://www.P65Warnings.ca.gov).

## ADVERTENCIAS DE SEGURIDAD GENERALES PARA LA HERRAMIENTA MOTORIZADA

**⚠ ADVERTENCIA!** Lea y comprenda todas las instrucciones. El no seguir todas las instrucciones a continuación puede ocasionar descargas eléctricas, incendios y/o heridas graves.

Conservar todas las advertencias e instrucciones para consulta futura.

El término "herramienta eléctrica" que figura en todas las advertencias que aparecen a continuación hace referencia a la herramienta que funciona con la red de suministro eléctrico (con cable) o a la herramienta eléctrica accionada por baterías (sin cable).

### 1. ÁREA DE TRABAJO

- Mantenga su lugar de trabajo limpio y bien iluminado.** Bancos de trabajo desordenados y lugares oscuros invitan a los accidentes.
- No utilice herramientas eléctricas en atmósferas explosivas, como por ejemplo en presencia de líquidos, inflamables, gases o polvo.** Las herramientas eléctricas crean chispas que pueden encender el polvo o los vapores.
- Mantenga a los espectadores, niños y visitantes a una distancia prudente cuando esté utilizando una herramienta eléctrica.** Las distracciones pueden

hacerle perder el control.

### 2. SEGURIDAD ELÉCTRICA

- Los enchufes de las herramientas eléctricas deben coincidir con el tomacorriente. No modifique de algún modo el enchufe. No utilice enchufes adaptadores con herramientas eléctricas conectadas a tierra.** Si no se modifican los enchufes y se utilizan los tomacorrientes adecuados, se reducirá el riesgo de una descarga eléctrica.
- Evite el contacto del cuerpo con las superficies conectadas a tierra tales como tuberías, radiadores, estufas de cocina y refrigeradores.** Existe mayor riesgo de que se produzcan descargas eléctricas si su cuerpo está conectado a tierra.
- No exponga las herramientas eléctricas a la lluvia ni a los ambientes húmedos.** La entrada de agua en una herramienta eléctrica aumenta el riesgo de que se produzcan descargas eléctricas.
- No abuse del cable.** Nunca use el cable para transportar las herramientas ni para sacar el enchufe de un tomacorriente. Mantenga el cable alejado del calor, el aceite, los bordes afilados o las piezas móviles. Los cables dañados aumentan el riesgo de que se produzcan descargas eléctricas.
- Cuando opere una herramienta eléctrica en exteriores, use un cable de extensión adecuado para uso en exteriores. El uso de un cable adecuado para uso en exteriores reduce el riesgo de descargas eléctricas.**
- Si operar una herramienta eléctrica en un lugar húmedo es inevitable, use un elemento protegido del dispositivo de corriente residual (RCD). El uso de un RCD reduce el riesgo de descargas eléctricas.**

### 3. SEGURIDAD PERSONAL

- Manténgase alerta, fíjese en lo que está haciendo y use el sentido común cuando utilice una herramienta eléctrica. No use la herramienta cuando esté cansado o se encuentre bajo la influencia de drogas, alcohol o medicamentos.** Un momento de distracción al utilizar herramientas eléctricas puede dar lugar a lesiones personales graves.
- Utilice equipo de seguridad. Use siempre protección ocular.** La utilización del equipo de seguridad como máscara antipolvo, zapatos de seguridad antideslizantes, casco o protección auditiva para condiciones adecuadas reducirá el riesgo de lesiones personales.
- Evite el arranque accidental. Asegúrese de que el interruptor esté en la posición de trabado o de apagado antes de instalar el paquete de baterías.** Transportar herramientas con el dedo en el interruptor o instalar el paquete de batería cuando el interruptor está encendido invitan a los accidentes.
- Retire las llaves o claves de ajuste antes de encender la herramienta.** Una llave o clave de ajuste dejada en una parte giratoria de la herramienta puede causar una lesión personal.
- No intente alcanzar demasiado lejos. Mantenga**

Sierra circular sin escobillas  
inalámbrica de 20V

ES



**un apoyo de los pies y un equilibrio adecuados en todo momento.** El apoyo de los pies y el equilibrio adecuados permiten un mejor control de la herramienta en situaciones inesperadas.

- f) Vístase apropiadamente. No se ponga ropa holgada ni joyas. Mantenga su cabello, ropa y guantes alejados de las piezas móviles.** La ropa holgada, las joyas o el pelo largo pueden quedar atrapados en las piezas móviles.
- g) Si se proporcionan dispositivos para la extracción y recolección de polvo, asegúrese que estos estén conectados y utilizados correctamente.** El uso de estos dispositivos puede reducir peligros relacionados con el polvo.
- h) No permita que la familiaridad obtenida a partir del uso frecuente de otras herramientas le permita volverse complaciente e ignorar los principios de seguridad de la herramienta.** Una acción descuidada puede causar lesiones severas en una fracción de segundo.

#### **4. USO Y CUIDADO DE LA HERRAMIENTA**

- a) No fuerce la herramienta. Emplee la herramienta correcta para la aplicación que desea.** La herramienta correcta hará el trabajo mejor y con más seguridad a la capacidad nominal para la que está diseñada.
- b) No utilice la herramienta si el interruptor no la enciende o apaga.** Toda herramienta que no se pueda controlar con el interruptor es peligrosa y debe ser reparada.
- c) Desconecte la batería de la herramienta o ponga el interruptor en la posición de trabado o de apagado antes de hacer cualquier ajuste, cambio de accesorios o guardar la herramienta.** Estas medidas de seguridad preventivas reducen el riesgo de encender la herramienta accidentalmente.
- d) Guarde las herramientas que no esté usando fuera del alcance de los niños y otras personas no capacitadas.** Las herramientas son peligrosas en las manos de los usuarios no capacitados.
- e) Mantenga las herramientas con cuidado. Compruebe la desalineación o el atasco de las piezas móviles, la ruptura de piezas y cualquier otra situación que pueda afectar el funcionamiento de las herramientas. Si la herramienta está dañada, hágala arreglar antes de usarla.** Muchos accidentes son causados por herramientas mantenidas deficientemente.
- f) Conserve las herramientas de corte afiladas y limpias.** Las herramientas mantenidas adecuadamente, con bordes de corte afilados, tienen menos probabilidades de atascarse y son más fáciles de controlar.
- g) Utilice la herramienta eléctrica, accesorios, brocas de la herramienta, etc. de acuerdo con estas instrucciones y de la manera adecuada para el tipo de herramienta eléctrica, teniendo en cuenta las condiciones de trabajo y el trabajo que se realizará.** La utilización de la herramienta eléctrica para operaciones diferentes de aquellas para las que se encuentra diseñada podría dar lugar a una situación peligrosa.


- h) Mantenga las manijas y las superficies de sujeción secas, limpias y libres de aceite y grasa.** Las manijas y superficies de sujeción resbaladizas no permiten el manejo y control seguros de la herramienta en situaciones inesperadas.

#### **5. UTILIZACIÓN Y CUIDADO DE LA HERRAMIENTA ACCIONADA A BATERÍAS**

- a) Una herramienta accionada a baterías que tenga baterías integradas o un paquete de baterías separado se debe recargar solamente con el cargador especificado para la batería.** Un cargador que puede ser adecuado para un tipo de batería puede crear un peligro de incendio cuando se usa con otra batería.
  - b) Utilice la herramienta accionada a baterías solamente con el paquete de baterías designado específicamente.** El uso de cualquier otra batería puede crear un peligro de incendio.
  - c) Cuando el paquete de baterías no se usa, manténgalo alejado de otros objetos metálicos como: sujetapapeles, monedas, clavos, tornillos u otros pequeños objetos de metal capaces de hacer una conexión entre los terminales.** El cortocircuito de los terminales de una batería puede causar chispas, quemaduras o incendio.
  - d) Bajo condiciones abusivas, la batería puede expulsar líquido; evite el contacto. Si ocurre un contacto accidental, enjuague con agua. Si el líquido entra en contacto con los ojos, busque ayuda médica.** El líquido expulsado por la batería puede causar irritación o quemaduras.
  - e) No use un paquete de batería o una herramienta que esté dañada o modificada.** Las baterías dañadas o modificadas pueden presentar un comportamiento imprevisto que resulte en incendios, explosión o riesgo de lesiones.
  - f) No exponga un paquete de batería o herramienta a fuego o temperatura excesiva.** La exposición a fuego o temperatura mayor a 266 °F (130 °C) pueden causar una explosión.
  - g) Siga todas las instrucciones de carga y no cargue el paquete de batería o la herramienta fuera del rango de temperatura especificado en las instrucciones.** Cargar inadecuadamente o en temperaturas fuera del rango especificado pueden dañar la batería e incrementar el riesgo de incendio.
- #### **6. REPARACIÓN**
- a) La herramienta debe ser reparada por una persona calificada de servicio técnico y se deben utilizar partes de reemplazo idénticas.** Esto asegurará el mantenimiento de la seguridad de la herramienta eléctrica.
  - b) Nunca dé servicio a paquetes de batería dañados.** El servicio de paquetes de batería sólo debe ser realizado por el fabricante o proveedores de servicio autorizados.

# INSTRUCCIONES DE SEGURIDAD PARA TODAS LAS SIERRAS

## PROCEDIMIENTOS DE CORTE

- a)  **ADVERTENCIA: Mantenga las manos alejadas del área de corte y la cuchilla. Mantenga la segunda mano en el mango auxiliar o en la caja del motor.** Si utiliza ambas manos para sostener la sierra, no podrá cortar con la cuchilla.
- b) **No utilice la herramienta sobre la pieza de trabajo por la parte inferior.** La protección no le protegerá de la cuchilla bajo la pieza de trabajo.
- c) **Ajuste la profundidad de corte al grosor de la pieza de trabajo.** Menos de un diente completo de la hoja debe ser visible por debajo de la pieza de trabajo.
- d) **Nunca sostenga la pieza a cortar en sus manos o sobre su pierna. Asegure la pieza de trabajo sobre una plataforma estable.** Es importante apoyar correctamente la pieza de trabajo para reducir al mínimo la exposición del cuerpo, el atascamiento de la hoja o la pérdida de control.
- e) **Sujete la herramienta por las superficies de agarre aisladas cuando realice una operación en la que la herramienta de corte pueda entrar en contacto con cables ocultos o con su propio cable.** El contacto con un cable que tenga corriente hará que ésta pase a las partes metálicas descubiertas de la herramienta y que el operador reciba descargas eléctricas.
- f) **Cuando haga cortes longitudinales siempre use una guía de corte o guía de borde recto.** Esto mejora la exactitud del corte y reduce el riesgo de atascamiento de la hoja.
- g) **Siempre utilice hojas con orificios de eje del tamaño y forma correctos (diamante contra redondo).** Las hojas que no se corresponden con los dispositivos de la caja, funcionarán de modo excéntrico, causando pérdida de control.
- h) **Nunca emplee tornillos o arandelas de hoja incorrectos o dañados.** Las arandelas y los tornillos de la hoja fueron diseñados especialmente para su sierra, para funcionamiento y seguridad óptimos de la operación.

# MÁS INSTRUCCIONES DE SEGURIDAD PARA TODAS LAS SIERRAS

## Causas y prevención del operador contra el contragolpe:

El contragolpe es una reacción repentina a hojas de sierra pellizcadas, atascadas o mal alineadas, causando que una sierra sin control salte por encima de la pieza de trabajo hacia el operador; Cuando la hoja es pellizcada o atascada firmemente por la muesca, se atora y la reacción del motor conduce la unidad rápidamente hacia el operador;

Si la hoja se tuerce o está mal alineada durante el corte, los dientes del extremo trasero pueden incrustarse en la superficie superior de la madera haciéndola saltar de la muesca y proyectarse hacia el operador.

**El contragolpe es el resultado del uso incorrecto de la sierra y/o de procedimientos o condiciones de funcionamiento incorrectos y puede ser evitado tomando precauciones apropiadas según se describe a continuación.**

- a) **Mantenga una empuñadura firme sobre la sierra y coloque sus brazos para resistir las fuerzas del contragolpe. Coloque su cuerpo a cualquier lado de la hoja, pero no alineado con la hoja.** El contragolpe podría hacer que la sierra salte al revés, pero las fuerzas del contragolpe pueden ser controladas por el operador si se toman las precauciones apropiadas.
- b) **Cuando la hoja se atasca o cuando se interrumpa un corte por cualquier razón, suelte el gatillo y sostenga la sierra en el material sin moverla hasta que la hoja se haya detenido completamente. Nunca trate de sacar la sierra de la pieza de trabajo o tire de la sierra al revés mientras la hoja esté en movimiento, ya que podría ocurrir un contragolpe.** Investigue y tome acciones correctivas para eliminar la causa del atascamiento de la hoja.
- c) **Al reiniciar el trabajo sobre la pieza correspondiente, centre la hoja de sierra en la muesca y compruebe que los dientes de la sierra no estén incrustados en el material.** Si la hoja de sierra está atascada, cuando se enciende nuevamente la sierra puede saltar o producir un contragolpe desde la pieza de trabajo.
- d) **Fije paneles grandes para reducir al mínimo el riesgo de que la hoja pellizque o provoque un contragolpe. Los paneles grandes tienden a ceder bajo su propio peso.** Los soportes deben ser colocados debajo del panel a ambos lados, cerca de la línea de corte y del borde del panel.
- e) **No utilice hojas desafiladas o dañadas.** Las hojas con dientes desafilados o colocados incorrectamente producen una muesca estrecha causando fricción excesiva, atascamiento de la hoja y contragolpe.
- f) **Las palancas de traba de profundidad y de inclinación de la hoja deben estar ajustadas y aseguradas antes de efectuar un corte.** Si el ajuste de la hoja cambia durante el corte, puede causar atascamiento y contragolpe.
- g) **Tenga cuidado adicional al hacer cortes mediante paredes y otros lugares ciegos.** La hoja que sobresale puede cortar objetos capaces de causar un contragolpe.

# INSTRUCCIONES DE SEGURIDAD PARA SU SIERRA CIRCULAR

## FUNCIÓN DE LA GUARDA INFERIOR

- a) **Verifique que la cubierta de seguridad cierre correctamente antes de cada uso. No accione la sierra si la cubierta de seguridad no se mueve libremente ni se cierra inmediatamente. Nunca ate o fije con abrazaderas la cubierta en la posición abierta.** Si la sierra se cae accidentalmente, la cubierta puede doblarse. Cerciérese de que se mueva libremente y que no toque la hoja u otras partes en todos los ángulos y profundidades de corte.
- b) **Compruebe el funcionamiento del resorte de la cubierta. Si la cubierta y el resorte no están funcionando correctamente, deben ser reparados antes del uso.** La cubierta puede funcionar lentamente debido a piezas dañadas, depósitos gomosos o acumulación de desechos.
- c) **Asegúrese que la placa base de la sierra no cambie mientras realiza el "corte de rectificación" cuando el ajuste del bisel de la hoja no esté a 90°.** El movimiento a los lados de la hoja causará adhesión y probablemente retroceso.
- d) **Siempre verifique que la cubierta esté cubriendo la hoja antes de colocar la sierra sobre el banco o el piso.** Una hoja desprotegida o que resbala hará que la sierra vaya al revés, cortando lo que esté en su trayectoria. Tome nota del tiempo que tarda la hoja en detenerse una vez que suelte el gatillo.

## REGLAS DE SEGURIDAD ADICIONALES - PARA SIERRAS CIRCULARES

- 1. Sólo use cuchillas de sierra recomendadas en la especificación.
- 2. No utilice ningún tipo de ruedas abrasivas.
- 3. Utilice sólo el diámetro(s) de hoja según las indicaciones.
- 4. Identifique la cuchilla de sierra correcta a utilizar para el material a cortar.
- 5. Sólo use cuchillas de sierra que estén marcadas con una velocidad igual o mayor a la velocidad marcada en la herramienta.

## ADVERTENCIAS GENERALES DE SEGURIDAD PARA LA BATERÍA

- a) **No desensamble, abra o triture el paquete de batería.**
- b) **No exponga el paquete de batería a calor o fuego.**













Evite guardar a la luz directa del sol.

- c) **No ponga en corto circuito el paquete de batería.** No guarde el paquete de batería de forma aleatoria en una caja o cajón donde puedan ponerse en corto circuito entre sí o ponerse en corto circuito por otros objetos metálicos. Cuando el paquete de batería no esté en uso, manténgalo alejado de otros objetos metálicos, como sujetadores de papel, monedas, llaves, clavos, tornillos u otros objetos metálicos pequeños que puedan establecer una conexión de una terminal a otra. El corto circuito de las terminales de la batería puede causar quemaduras o incendios.
- d) **No retire el paquete de la batería de su empaque original hasta que se requiera para el uso.**
- e) **No someta el paquete de batería a impacto mecánico.**
- f) **En el caso de fuga de la batería, no permita que el líquido entre en contacto con la piel o los ojos. Si hay contacto, lave el área afectada con bastante agua y busque atención médica.**
- g) **Observe las marcas positiva (+) y negativa (-) en la parte posterior de la batería y el equipo para asegurar su uso correcto.**
- h) **No use ningún paquete de batería que no esté diseñado para uso con el equipo.**
- i) **Mantenga el paquete de batería fuera del alcance de los niños.**
- j) **Busque atención médica de inmediato si se ingiere una celda o una batería.**
- k) **Siempre adquiera el paquete de batería recomendado por el fabricante del dispositivo para el equipo.**
- l) **Mantenga el paquete de batería limpio y seco.**
- m) **Limpie las terminales del paquete de batería con una tela seca limpia su se ensucian.**
- n) **El paquete de batería se necesita cargar antes del uso. Siempre use el cargador correcto y consulte las instrucciones del fabricante o el manual del equipo para saber las instrucciones correctas de carga.**
- o) **No deje el paquete de batería en carga prolongada cuando no esté en uso.**
- p) **Después de periodos prolongados de almacenamiento, puede ser necesario cargar y descargar el paquete de batería varias veces para obtener el desempeño máximo.**
- q) **El paquete de batería proporciona su mejor desempeño cuando se opera en temperatura ambiente normal (68°F ± 9°F) (20°C ± 5°C).**
- r) **Cuando deseche los paquetes de batería, mantenga los paquetes de batería de diferentes sistemas electromecánicos separados entre sí.**
- s) **Recargue únicamente con el cargador especificado por WorxNITRO. No use cargadores que no sean los específicamente suministrados para uso con el equipo.** Un cargador que es adecuado para un tipo de paquete de batería puede crear un riesgo de incendio cuando se usa con otro paquete de batería.
- t) **Conserve la literatura el producto original para referencia futura.**
- u) **Sólo use el paquete de batería en la aplicación para**

la que está diseñado.

- v) Retire el paquete de batería del equipo cuando no esté en uso.
- w) Deséchelo adecuadamente.

## SÍMBOLOS

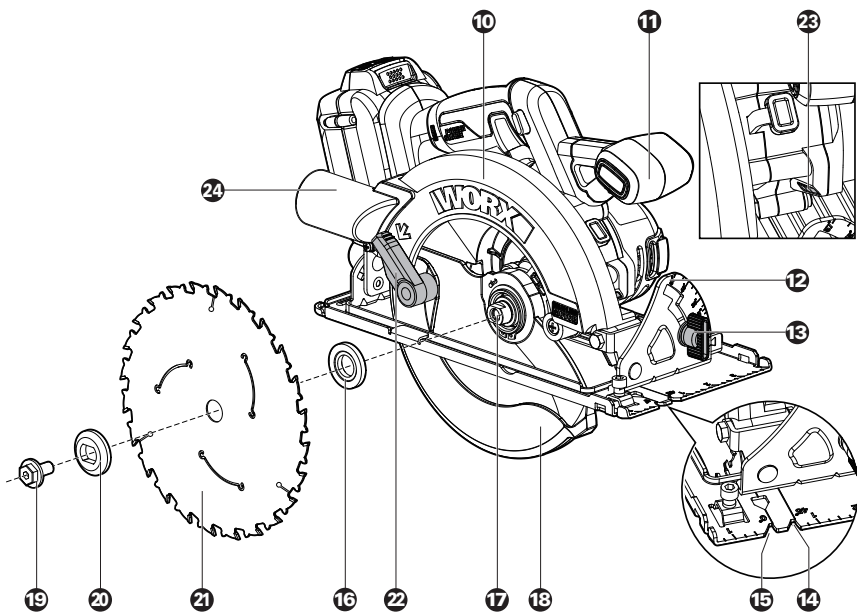
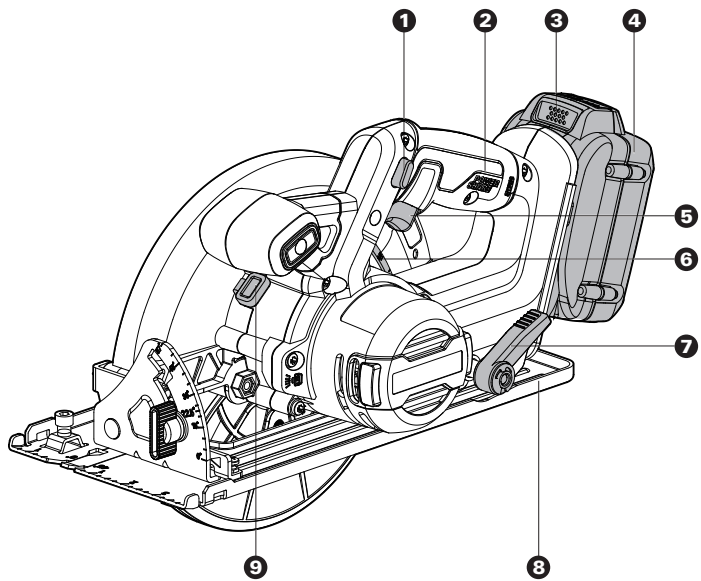
	Para reducir el riesgo de lesiones, el usuario deberá leer el manual de instrucciones
	Advertencia
	Use protección auditiva.
	Use lentes de seguridad.
	Use máscara contra el polvo.
	Las baterías pueden entrar al ciclo de agua si se desechan incorrectamente, lo que puede ser peligroso para el ecosistema. No deseche las baterías de desperdicio como desperdicio municipal sin clasificar
	No arrojar al fuego
	Batería de iones de litio. La batería deberá reciclarse.
	Asegúrese de extraer la batería antes de cambiar los accesorios.
	Use siempre unos guantes de protección.
	Madera
	Cuchilla con punta de carburo

	Bloqueo
	Desbloqueo



call2recycle®

POSITEC Inc. ha establecido una asociación con la empresa RBRC para el reciclaje de todas las baterías Positec que posean el sello RBRC-call2recycle. Para contribuir con la protección del medio ambiente, no deseche las baterías como residuos normales. Después de que haya finalizado el ciclo de vida útil de la batería, comuníquese al 1-800-822-8837 para acceder al servicio gratuito.




# LISTA DE PARTES

<b>1. INTERRUPTOR DE DESTRABADO</b>
<b>2. ÁREA DE AGARRE</b>
<b>3. LENGÜETAS DE LIBERACIÓN DE LAS BATERÍAS *</b>
<b>4. PAQUETE DE BATERÍAS *</b>
<b>5. INTERRUPTOR ENCENDIDO/APAGADO</b>
<b>6. ESCALA DE PROFUNDIDAD DE CORTE</b>
<b>7. PERILLA DE BLOQUEO DE PROFUNDIDAD DE CORTE</b>
<b>8. PLACA BASE</b>
<b>9. BOTÓN DE BLOQUEO DE HUSILLO</b>
<b>10. PROTECCIÓN FIJA</b>
<b>11. MANIJA DELANTERA</b>
<b>12. ESCALA DE ÁNGULO DE PLACA BASE</b>
<b>13. PERILLA DE BLOQUEO DE BISEL DE PLACA BASE</b>
<b>14. MARCA DE CORTE, 45°</b>
<b>15. MARCA DE CORTE, 0°</b>
<b>16. REBORDE INTERIOR</b>
<b>17. HUSILLO</b>
<b>18. PROTECCIÓN DE HOJA INFERIOR</b>
<b>19. TUERCA DE AJUSTE DE LA HOJA</b>
<b>20. REBORDE EXTERIOR</b>
<b>21. HOJA DE SIERRA</b>
<b>22. PALANCA DE LA PROTECCIÓN INFERIOR</b>
<b>23. LUZ DEL TRABAJO</b>
<b>24. ADAPTADOR DE POLVO*</b>

\*No todos los accesorios ilustrados o descritos se incluyen junto con el producto estándar.

## DATOS TÉCNICOS

Tipo **WX520L WX520L.X** (5- Designación de maquinaria, representante de Sierra)

	<b>WX520L WX520L.X**</b>
Tensión	20 V  Max.***
Velocidad sin carga	6100 /min

Diámetro de la hoja		7-1/4 pulg. (184 mm)
Orificio de aspa		5/8 pulg. (16 mm)
Espesor de la hoja de sierra	Cuchilla con punta de carburo	1/16 pulg. (1.6 mm)
Profundidad máxima de corte		2-9/16 pulg. (65 mm)
Capacidad de corte	Profundidad de corte en 45°	1-13/16 pulg. (46 mm)
	Profundidad de corte en 90°	2-9/16 pulg. (65 mm)
Capacidad de biselado		0-57°
Peso (Herramienta descubierto)		6.4 lbs (2.9 kg)

\*\* X puede ser seguido por uno o dos caracteres. Todos los modelos son iguales, excepto el número de modelo y la marca registrada. El sufijo en los modelos puede ser un número del "1" al "999" o la letra inglesa "A" a "Z" o "M1" a "M9" que significa un paquete diferente o el Varios accesorios embalados en el paquete.

\*\*\* Voltaje medido sin carga de trabajo. El voltaje inicial de la batería alcanza un máximo de 20V. El voltaje nominal es 18V.


Categoría	Modelo	Capacidad
20V Batería	WA3520	1.5 Ah
	WA3525	2.0 Ah
	WA3575	2.0 Ah
	WA3578	4.0 Ah
	WA3012	4.0 Ah
20V Cargador	WA3742	0.4 A
	WA3875	2.0 A
	WA3881	2.0 A

Le recomendamos que compre sus accesorios en la misma tienda que le vendió la herramienta. Consulte el empaque de los accesorios para obtener más detalles. El personal de la tienda también puede ayudarle y aconsejarle.



# INSTRUCCIONES DE USO



 **NOTA:** Antes de usar la herramienta, lea atentamente el manual de instrucciones.

 **ADVERTENCIA:** No libere la manija hasta que la cuchilla se detenga por completo y no toque la cuchilla de la sierra mientras la cuchilla esté en operación.

## USO DESTINADO:

La herramienta está destinado a rasgar y cortar madera y otros materiales de forma cruzada en líneas de corte rectas, mientras descansa firmemente sobre la pieza de trabajo.

## ENSAMBLE & FUNCIONAMIENTO

ACCIÓN	FIGURA
<b>ANTES DE LA OPERACIÓN</b>	
Extracción de paquete de batería	Vea la Fig. A1
Cargando la Batería	Vea la Fig. A2
Instalación de paquete de batería	Vea la Fig. A3
<b>ENSAMBLE</b>	
Colocación y extracción de la hoja <b>NOTA:</b> Para bloquear o soltar el perno de la cuchilla, se debe presionar el botón de bloqueo de husillo.  <b>ADVERTENCIA: Siempre retire la batería antes de cambiar la hoja!</b>	Vea la Fig. B
Ajuste de la profundidad de corte	Vea la Fig. C
Ajuste del ángulo de la placa base	Vea la Fig. D1, D2
<b>FUNCIONAMIENTO</b>	
Interruptor encendido/apagado  <b>ADVERTENCIA: Para evitar lesiones de corte a partir de la hoja filosa, por favor no ponga sus manos alrededor de la Placa base.</b> <b>NOTA:</b> Mantenga el adaptador de la suciedad conectada al dispositivo colector de suciedad cuando se use la herramienta.	Vea la Fig. E
Cortes al hilo fijos y cortes cruzados <b>NOTA:</b> La línea de corte de la cuchilla de la sierra está alineada con la marca de corte 0°.	Vea la Fig. F1, F2
Cortes de bisel	Vea la Fig. G

Extracción del aserrín <b>NOTA:</b> El adaptador de polvo se vende por separado.	Vea la Fig. H
---	---------------

## CONSEJOS PARA TRABAJAR CON SU SIERRA CIRCULAR

Si su herramienta eléctrica se calienta demasiado, hágalo funcionar sin carga por 2-3 minutos para enfriar el motor. Evite el uso prolongado a velocidades muy baja. Proteja las hojas de sierra contra los impactos o golpes. La alimentación excesiva de material reduce en forma significativa el rendimiento de la herramienta y la vida útil de la hoja de sierra. El rendimiento de aserrado y la calidad de corte dependen principalmente de la condición y forma de los dientes de la hoja de sierra. Por lo tanto, utilice sólo hojas de sierra afiladas que sean adecuadas para el material con el que se trabajará. Elección de las hojas de sierra: Hojas de sierra de 24 dientes para cortes normales, hojas de sierra de aproximadamente 40 dientes para cortes más finos y hojas de sierra de más de 40 dientes para cortes muy finos en superficies frágiles, Disco de diamante para azulejo, losa de cemento, etc. Sólo use las hojas de sierra recomendadas.

## MANTENGA LAS HERRAMIENTAS CON CUIDADO

**Retire el Paquete de la batería de la herramienta antes de realizar cualquier ajuste, servicio o mantenimiento.** Conserve las herramientas afiladas y limpias para que funcionen mejor y con más seguridad. Siga las instrucciones para lubricar y cambiar los accesorios. Inspeccione periódicamente los cables de las herramientas y si están dañados hágalos reparar por un centro de servicio autorizado. Su herramienta no requiere lubricación ni mantenimiento adicional. No posee piezas en su interior que puedan ser reparadas por el usuario. Nunca emplee agua o productos químicos para limpiar su herramienta. Use simplemente un paño seco. Guarde siempre su herramienta en un lugar seco. Mantenga limpias las ranuras de ventilación del motor. Mantenga todos los controles de operación libres de polvo. De forma periódica, limpie el polvo y astillas de la guarda y base para garantizar un rendimiento correcto.

### Para herramientas de batería

El rango de temperatura ambiente para uso y almacenamiento de la herramienta y la batería es de 32 °F-113 °F (0 °C-45 °C). El rango de temperatura ambiente recomendado para el sistema de carga durante la carga es de 32 °F-104 °F (0 °C-40 °C).

# SOLUCIÓN DE PROBLEMAS

<b>Problema</b>	<b>Causa posible</b>	<b>Solución posible</b>
La herramienta no arranca al utilizar el interruptor de encendido/apagado.	Paquete de batería no conectado. Paquete de batería apagado.	Revise para asegurarse que el paquete de batería esté bien conectado en un tomacorriente que funcione. Cargando la Batería.
La profundidad de corte es inferior a la establecida.	Aserrín acumulado en la parte posterior de la base.	Extraiga el aserrín. Considere conectar una aspiradora para realizar la recolección del polvo.
La hoja da vueltas o se resbala.	La hoja no se encuentra acoplada de forma estrecha en el eje.	Extraiga la hoja y vuélvala a colocar tal como se describe en la sección Colocación y extracción de la hoja.
La hoja no corta en línea recta.	La hoja se encuentra desafilada. La hoja no se encuentra colocada de forma correcta. No se está guiando correctamente a la sierra.	Coloque una nueva hoja afilada en la sierra. Compruebe que la hoja se encuentre colocada de forma correcta. Utilice una guía de borde.
La hoja realiza un contragolpe al comenzar con un corte.	La hoja no está girando lo suficientemente rápido.	Espere a que la hoja de sierra alcance la velocidad máxima antes de comenzar con la realización de un corte.



**WORX NITRO**

**[www.worx.com](http://www.worx.com)**

Copyright © 2020, Positec. All Rights Reserved.

Copyright © 2020, Positec. Tous droits réservés.

© Derechos reservados 2020, Positec. Todos los derechos reservados.

AR01532502