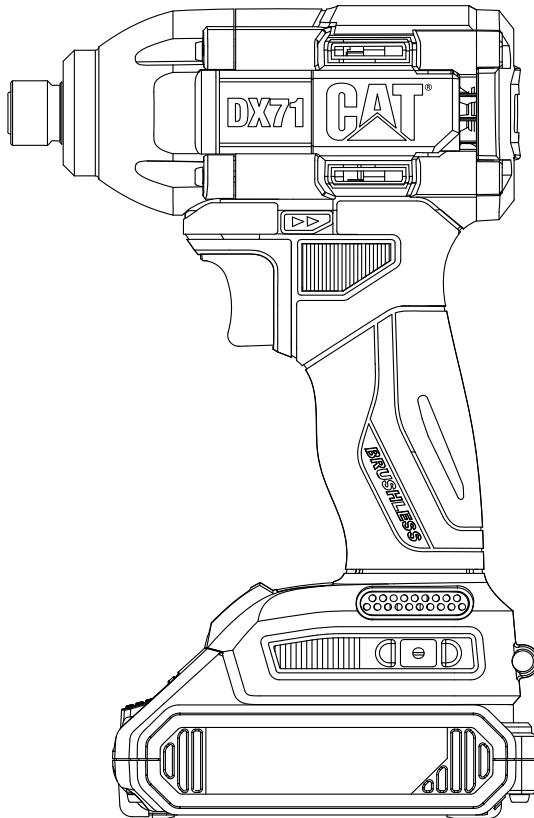




**18V**

**DX71 DX71B**



---

**3 SPEED 1/4 IN. Brushless impact driver**

**EN**

**P04**

**3 SPEED 1/4 IN. Brushless impact driver**

**FR**

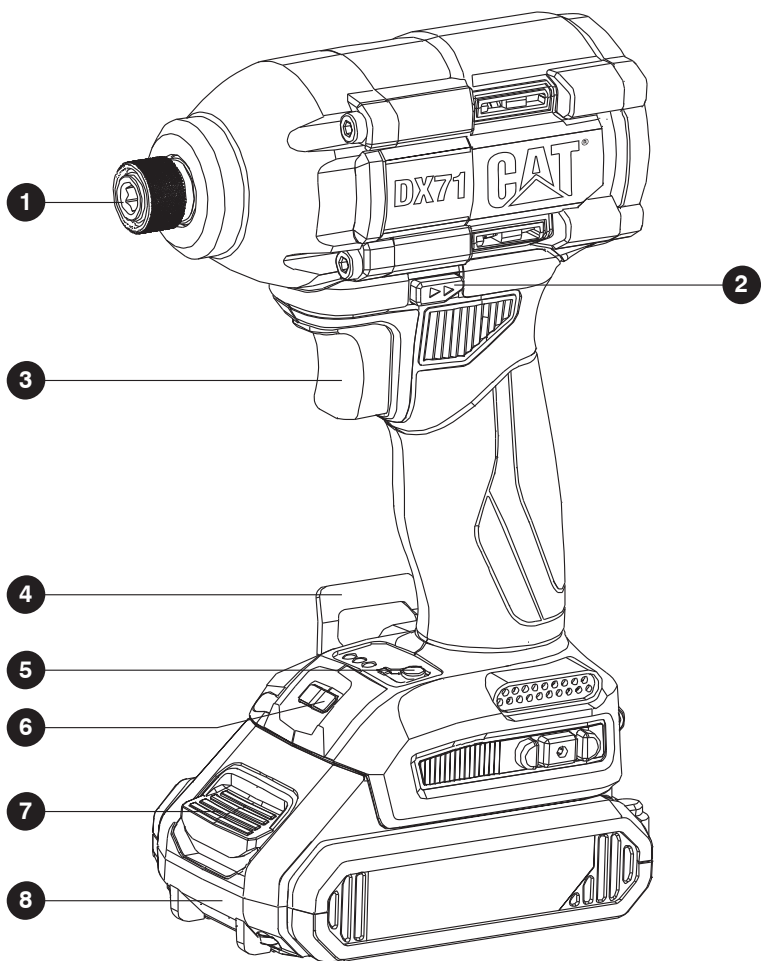
**P10**

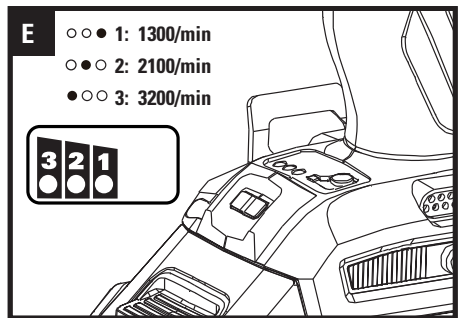
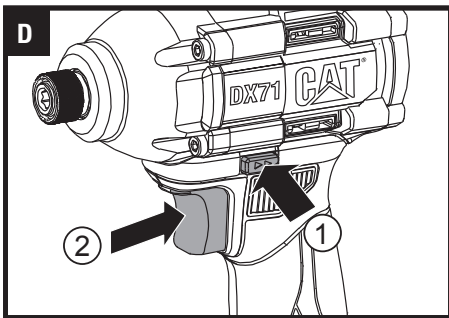
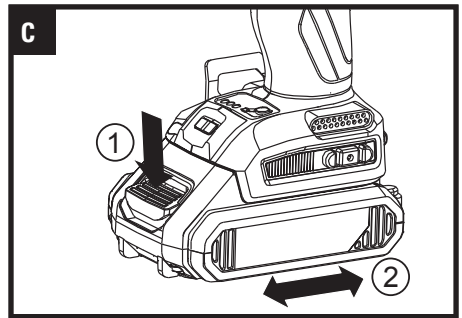
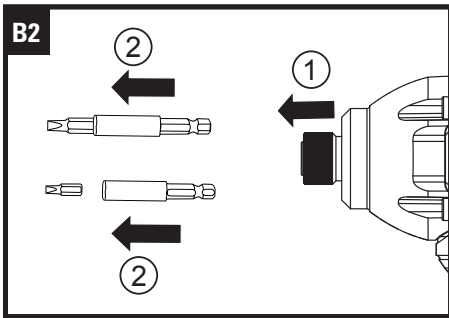
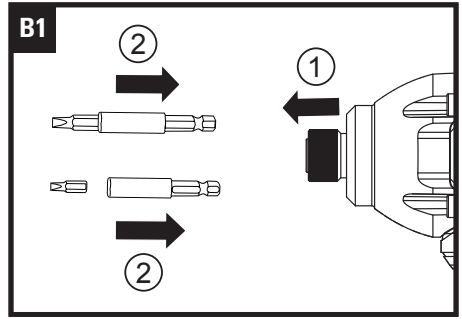
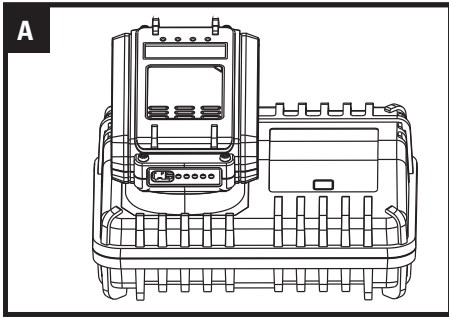
**3 SPEED 1/4 IN. Brushless impact driver**

**ES**

**P17**

---






# COMPONENT LIST

1. COLLET LOCKING SLEEVE
2. FORWARD AND REVERSE SWITCH
3. VARIABLE SPEED TRIGGER
4. BELT CLIP
5. 3-SPEED SWITCH BUTTON
6. LED LIGHT
7. BATTERY PACK RELEASE BUTTON*
8. BATTERY PACK*


\* Not all the accessories illustrated or described are included in standard delivery.

## PRODUCT SAFETY


 **WARNING:** Some dust created by power sanding, sawing, grinding, drilling and other construction activities contains chemicals known to the State of California to cause cancer, birth defects or other reproductive harm. Some examples of these chemicals are:

- Lead from lead-based paints;
- Crystalline silica from bricks and cement and other masonry products;
- Arsenic and chromium from chemically-treated lumber.

Your risk from these exposures varies, depending on how often you do this type of work. To reduce your exposure to these chemicals: work in a well ventilated area, and work with approved safety equipment such as dust masks that are specially designed to filter out microscopic particles.

 **WARNING:** This product can expose you to chemicals including lead and Di(2-ethylhexyl) phthalate (DEHP) which are known to the State of California to cause cancer and birth defects or other reproductive harm. For more information go to [www.P65Warnings.ca.gov](http://www.P65Warnings.ca.gov).

## GENERAL POWER TOOL SAFETY WARNINGS

 **WARNING** Read all safety warnings, instructions, illustrations and specifications provided with this power tool. Failure to follow all instructions listed below may result in electric shock, fire and/or serious injury.

Save all warnings and instructions for future reference.

The term "power tool" in the warnings refers to your mains-operated (corded) power tool or battery-operated (cordless) power tool.

### 1) Work area safety

- Keep work area clean and well lit.** Cluttered or dark areas invite accidents.
- Do not operate power tools in explosive atmospheres, such as in the presence of flammable liquids, gases or dust.** Power tools create sparks which may ignite the dust or fumes.
- Keep children and bystanders away while operating a power tool.** Distractions can cause you to lose control.

### 2) Electrical safety

- Power tool plugs must match the outlet. Never modify the plug in any way. Do not use any adapter plugs with earthed (grounded) power tools.** Unmodified plugs and matching outlets will reduce risk of electric shock.
- Avoid body contact with earthed or grounded surfaces, such as pipes, radiators, ranges and refrigerators.** There is an increased risk of electric shock if your body is earthed or grounded.
- Do not expose power tools to rain or wet conditions.** Water entering a power tool will increase the risk of electric shock.
- Do not abuse the cord. Never use the cord for carrying, pulling or unplugging the power tool. Keep cord away from heat, oil, sharp edges or moving parts.** Damaged or entangled cords increase the risk of electric shock.
- When operating a power tool outdoors, use an extension cord suitable for outdoor use.** Use of a cord suitable for outdoor use reduces the risk of electric shock.

f) **If operating a power tool in a damp location is unavoidable, use a residual current device (RCD) protected supply.** *Use of an RCD reduces the risk of electric shock.*

### 3) Personal safety

a) **Stay alert, watch what you are doing and use common sense when operating a power tool. Do not use a power tool while you are tired or under the influence of drugs, alcohol or medication.** *A moment of inattention while operating power tools may result in serious personal injury.*

b) **Use personal protective equipment. Always wear eye protection.** *Protective equipment such as dust mask, non-skid safety shoes, hard hat, or hearing protection used for appropriate conditions will reduce personal injuries.*

c) **Prevent unintentional starting. Ensure the switch is in the off-position before connecting to power source and/or battery pack, picking up or carrying the tool.** *Carrying power tools with your finger on the switch or energising power tools that have the switch on invites accidents.*

d) **Remove any adjusting key or wrench before turning the power tool on.** *A wrench or a key left attached to a rotating part of the power tool may result in personal injury.*

e) **Do not overreach. Keep proper footing and balance at all times.** *This enables better control of the power tool in unexpected situations.*

f) **Dress properly. Do not wear loose clothing or jewellery. Keep your hair and clothing away from moving parts.** *Loose clothes, jewellery or long hair can be caught in moving parts.*

g) **If devices are provided for the connection of dust extraction and collection facilities, ensure these are connected and properly used.** *Use of dust collection can reduce dust-related hazards.*

h) **Do not let familiarity gained from frequent use of tools allow you to become complacent and ignore tool safety principles.** *A careless action can cause severe injury within a fraction of a second.*

### 4) Power tool use and care

a) **Do not force the power tool. Use the correct power tool for your application.** *The correct power tool will do the job better and safer at the rate for which it was designed.*

b) **Do not use the power tool if the switch does not turn it on and off.** *Any power tool that cannot be controlled with the switch is dangerous and must be repaired.*

c) **Disconnect the plug from the power source and/ or remove the battery pack, if detachable, from**

**the power tool before making any adjustments, changing accessories, or storing power tools.** *Such preventive safety measures reduce the risk of starting the power tool accidentally.*

d) **Store idle power tools out of the reach of children and do not allow persons unfamiliar with the power tool or these instructions to operate the power tool.** *Power tools are dangerous in the hands of untrained users.*

e) **Maintain power tools and accessories. Check for misalignment or binding of moving parts, breakage of parts and any other condition that may affect the power tool's operation. If damaged, have the power tool repaired before use.** *Many accidents are caused by poorly maintained power tools.*

f) **Keep cutting tools sharp and clean.** *Properly maintained cutting tools with sharp cutting edges are less likely to bind and are easier to control.*

g) **Use the power tool, accessories and tool bits etc. in accordance with these instructions, taking into account the working conditions and the work to be performed.** *Use of the power tool for operations different from those intended could result in a hazardous situation.*

h) **Keep handles and grasping surfaces dry, clean and free from oil and grease.** *Slippery handles and grasping surfaces do not allow for safe handling and control of the tool in unexpected situations.*

### 5) Battery tool use and care

a) **Recharge only with the charger specified by the manufacturer.** *A charger that is suitable for one type of battery pack may create a risk of fire when used with another battery pack.*

b) **Use power tools only with specifically designated battery packs.** *Use of any other battery packs may create a risk of injury and fire.*

c) **When battery pack is not in use, keep it away from other metal objects, like paper clips, coins, keys, nails, screws or other small metal objects, that can make a connection from one terminal to another.** *Shorting the battery terminals together may cause burns or a fire.*

d) **Under abusive conditions, liquid may be ejected from the battery; avoid contact. If contact accidentally occurs, flush with water. If liquid contacts eyes, additionally seek medical help.** *Liquid ejected from the battery may cause irritation or burns.*

e) **Do not use a battery pack or tool that is damaged or modified.** *Damaged or modified batteries may exhibit unpredictable behaviour resulting in fire, explosion or risk of injury.*

- f) **Do not expose a battery pack or tool to fire or excessive temperature.** *Exposure to fire or temperature above 265 °F (130 °C) may cause explosion.*
- g) **Follow all charging instructions and do not charge the battery pack or tool outside the temperature range specified in the instructions.** *Charging improperly or at temperatures outside the specified range may damage the battery and increase the risk of fire.*
- 6) **Service**
  - a) **Have your power tool serviced by a qualified repair person using only identical replacement parts.** *This will ensure that the safety of the power tool is maintained.*
  - b) **Never service damaged battery packs.** *Service of battery packs should only be performed by the manufacturer or authorized service providers.*

## SCREWDRIVER SAFETY WARNINGS

- 1) **Hold the power tool by insulated gripping surfaces, when performing an operation where the fastener may contact hidden wiring.** *Fasteners contacting a "live" wire may make exposed metal parts of the power tool "live" and could give the operator an electric shock.*

## SAFETY WARNINGS FOR BATTERY PACK

- a) **Do not dismantle, open or shred battery pack.**
- b) **Do not expose battery pack to heat or fire. Avoid storage in direct sunlight.**
- c) **Do not short-circuit a battery pack. Do not store battery packs haphazardly in a box or drawer where they may short-circuit each other or be short-circuited by other metal objects.** *When battery pack is not in use, keep it away from other metal objects, like paper clips, coins, keys, nails, screws or other small metal objects, that can make a connection from one terminal to another. Shorting the battery terminals together may cause burns or fire.*
- d) **Do not remove battery pack from its original packaging until required for use.**
- e) **Do not subject battery pack to mechanical shock.**
- f) **In the event of battery leaking, do not allow the liquid to come in contact with the skin or eyes. If contact has been made, wash the affected area**
- with copious amounts of water and seek medical advice.
- g) **Observe the plus (+) and minus (-) marks on the battery back and equipment and ensure correct use.**
- h) **Do not use any battery pack which is not designed for use with the equipment.**
- i) **Keep battery pack out of the reach of children.**
- j) **Seek medical advice immediately if a cell or battery has been swallowed.**
- k) **Always purchase the battery pack recommended by the device manufacturer for the equipment.**
- l) **Keep battery pack clean and dry.**
- m) **Wipe the battery pack terminals with a clean dry cloth if they become dirty.**
- n) **Battery pack needs to be charged before use.** **Always use the correct charger and refer to the manufacturer's instructions or equipment manual for proper charging instructions.**
- o) **Do not leave battery pack on prolonged charge when not in use.**
- p) **After extended periods of storage, it may be necessary to charge and discharge the battery pack several times to obtain maximum performance.**
- q) **Recharge only with the charger specified by Cat®.** **Do not use any charger other than that specifically provided for use with the equipment.**
- r) **Retain the original product literature for future reference.**
- s) **Use only the battery pack in the application for which it was intended.**
- t) **Remove the battery pack from the equipment when not in use.**
- u) **Dispose of properly.**
- v) **Do not mix cells of different manufacture, capacity, size or type within a device.**

# SYMBOLS



To reduce the risk of injury, user must read instruction manual



Warning



Wear eye protection



Wear ear protection



Wear dust mask



Li-Ion

Li-Ion battery, battery must be recycled



Do not burn



Batteries may enter water cycle if disposed improperly, which can be hazardous for ecosystem. Do not dispose of waste batteries as unsorted municipal waste.




**call2recycle®**

POSITEC Inc. has established a partnership with the RBRC Corporation to recycle any Positec batteries with the RBRC-call2recycle seal. For environmental protection, please do not discard batteries in the trash. After the batteries' life cycle is ended, then please call 1-800-822-8837 for a free service that will properly dispose of the battery.

# TECHNICAL DATA

Type Designation DX71 DX71B (71 - designation of machinery, representative of impact driver)

	DX71	DX71B
Voltage	18V $\text{---}$	
No load speed	0-1300/2100/3200 /min	
Impact rate	0-1600/2900/3600 bpm	
Max torque	1900 in/lbs (215 N.m)	
Chuck capacity	1/4" (6.35 mm)	
Battery capacity (DXB2)	2.0 Ah	/
Charger input (DXC4)	120V~60Hz, 95W	/
Charger output (DXC4)	20 V $\text{---}$ 4 A	/
Charger protection class	 /II	/
Machine weight	3.35 lbs (1.52 kg)	2.56 lbs (1.16 kg)

## ACCESSORIES

	DX71	DX71B
Belt clip	1	1
Battery pack (DXB2)	2	/
Charger (DXC4)	1	/

We recommend that you purchase your accessories from the same store that sold you the tool. Refer to the accessory packaging for further details. Store personnel can assist you and offer advice.

## OPERATING INSTRUCTIONS



**NOTE:** Before using the tool, read the instruction book carefully.

### INTENDED USE

The machine is intended for the fastening and loosening of bolts, nuts and various threaded fasteners.

### BEFORE PUTTING INTO OPERATION

#### 1. CHARGE YOUR BATTERY PACK (SEE FIG. A)

#### 2. CHECKING THE BATTERY POWER CONDITION

5 LED lights show the battery power condition. Before starting or after use, press the button beside the lights to check the battery charge status.

### ASSEMBLY

#### 1. INSERTING A BIT HOLDER, SOCKET OR SCREWDRIVER BIT (NOT SUPPLIED) (SEE FIG. B1)

Pull the collet locking sleeve forward. Fully insert the desired bit into the chuck and release the collet locking sleeve.

**NOTE:** Try to pull the bit after releasing the collet locking sleeve to make sure the bit is fully locked in the chuck.

#### 2. REMOVING A BIT HOLDER, SOCKET OR SCREWDRIVER BIT (NOT SUPPLIED) (SEE FIG. B2)

Pull the collet locking sleeve forward. Remove the bit from the chuck and release the collet locking sleeve.

#### 3. TO REMOVE OR INSTALL BATTERY PACK (SEE FIG. C)

Depress the battery pack release button to release and slide the battery pack out from your tool. After recharge, slide it back into your tool. A simple push and slight pressure will be sufficient.

### OPERATION

#### 1. VARIABLE SPEED TRIGGER (SEE FIG. D)


Depress the variable speed trigger to start and release it to stop your tool. It is also a variable speed switch that delivers higher speeds with increased trigger pressure or delivers lower speeds with reduced trigger pressure - speed is controlled by varying the pressure applied to the switch.




## 2. SWITCH LOCK

The switch trigger can be locked in the OFF position. This helps to reduce the possibility of accidental starting when not in use. To lock the switch trigger, place the rotation control in the center position.

## 3. FORWARD AND REVERSE SWITCH (SEE FIG. D)

Forward rotation: Push and press the "" from body back side to body front side for driving in.

Reverse rotation: Push and press the "" from body front side to body back side for removing the bits.



**WARNING: Never change the direction of rotation while the tool is rotating, wait until it has stopped.**

## 4. 3-SPEED SWITCH BUTTON (SEE FIG. E)

The driver has 3 speeds for your selection. Press the 3-speed switch button to select the required speed. Select the low speed, the right light is on green. Select the middle speed, the middle light is on green. Select the high speed, the left light is on green.

## 5. USING THE LED LIGHT

To turn on the light, press the variable speed trigger and make sure the forward and reverse switch is in the right or left position. When you release the variable speed trigger, the light will be off in 10 seconds.

## 6. BELT CLIP

Screw the belt clip on the tool with the screw provided in the plastic bag. The belt clip can be hooked on your belt or pocket, etc.

## 7. OVERLOAD PROTECTION

When overloaded, the motor comes to a stop. Relieve the load on the machine immediately and allow cooling for approx. 30 seconds at the highest no-load speed.

## 8. TEMPERATURE DEPENDENT OVERLOAD PROTECTION

When using as intended for the power tool cannot be subject to overload. When the load is too high or the allowable battery temperature of 167°F (75°C) is exceeded, the electronic control switches off the power tool until the temperature is in the optimum temperature range again.

## 9. PROTECTION AGAINST DEEP DISCHARGING

The Li-ion battery is protected against deep discharging by the "Discharging Protection System". When the battery is empty, the machine is switched off by means of a protective circuit: The inserted tool no longer rotates.

# PROBLEM SOLUTION

## 1. REASONS FOR DIFFERENT BATTERY PACK WORKING TIMES

Charging time problems, having not used a battery pack for a prolonged time will reduce the battery pack working time. This can be corrected after several charge and discharge operations by charging & working. Heavy working conditions will use up the battery pack energy faster than lighter working conditions. Do not re-charge your battery pack below 32°F (0°C) and above 104°F (40°C) as this will affect performance.

# MAINTENANCE

**Remove the battery pack from the tool before carrying out any adjustment, servicing or maintenance.**

Your power tool requires no additional lubrication or maintenance. There are no user serviceable parts in your power tool. Never use water or chemical cleaners to clean your power tool. Wipe clean with a dry cloth. Always store your power tool in a dry place. Keep the motor ventilation slots clean. Keep all working controls free of dust. Occasionally you may see sparks through the ventilation slots. This is normal and will not damage your power tool.

## FOR BATTERY TOOLS


The ambient temperature range for the use and storage of tool and battery is 32-113°F (0°C-45°C). The recommended ambient temperature range for the charging system during charging is 32 -104°F (0°C-40°C).

# LISTE DES ÉLÉMENTS

1. MANCHON DE VERROUILLAGE DU MANDRIN
2. INTERRUPTEUR AVANT ET ARRIÈRE
3. GÂCHETTE À VITESSE VARIABLE
4. CROCHET DE CEINTURE
5. BOUTON DE COMMUTATEUR À 3 VITESSES
6. LUMIÈRE DE VISIBILITÉ
7. MÉCANISME DE RETENUE DU BLOC-PILES*
8. BLOC-PILES*


\* Les accessoires illustrés ou décrits ne sont pas tous compris dans le cadre de la livraison standard.

## SÉCURITÉ DU PRODUIT


 **AVERTISSEMENT:** Certaines des poussières produites en utilisant des outils électriques sont considérées par l'État de Californie comme susceptibles de provoquer le cancer, des anomalies congénitales et d'autres problèmes de reproduction. Voici des exemples de ces produits chimiques:

- Plomb issu de peinture à base de plomb;
- Silice cristalline issue de briques et du ciment et autres produits de maçonnerie;
- Arsenic et chrome issus de bois traité chimiquement.

Votre risque de ces expositions varie en fonction de la fréquence à laquelle vous effectuez ce travail. Pour réduire votre exposition à ces produits chimiques: travaillez dans une zone bien ventilée; portez un équipement de sécurité approuvé, tel que des masques anti poussières spécialement conçus pour éliminer les particules microscopiques par filtrage.

 **AVERTISSEMENT:** Ce dispositif peut vous exposer aux produits chimiques notamment le plomb et le di-phthalate (de 2-éthylhexyle) (DEHP) qui sont reconnus dans l'État de Californie comme causant des cancers et des anomalies congénitales ou d'autres anomalies de la reproduction. Pour en savoir plus, veuillez consulter le site [www.P65Warnings.ca.gov](http://www.P65Warnings.ca.gov).

## AVERTISSEMENTS GÉNÉRAUX CONCERNANT LA SÉCURITÉ DES OUTILS ÉLECTRIQUES

 **AVERTISSEMENT:** Lisez et assimilez toutes les instructions. Le non-respect des instructions ci-après peut entraîner un risque de choc électrique,

d'incendie et/ou de blessures graves.

Conservez tous les avertissements et instructions pour pouvoir les consulter ultérieurement.

L'expression « outil électrique » dans tous les avertissements énumérés ci-dessous se réfère à votre outil électrique fonctionnant sur secteur (branché) ou à batterie (sans-fil).

- 1) Aire de travail
  - a) Veillez à ce que l'aire de travail soit propre et bien éclairée. Le désordre et le manque de lumière favorisent les accidents.
  - b) N'utilisez pas d'outils électriques dans un milieu présentant un risque d'explosion, par exemple en présence de liquides, de gaz ou de poussières inflammables. Les outils électriques créent des étincelles qui pourraient enflammer les poussières ou les vapeurs.
  - c) Gardez à distance les curieux, les enfants et les visiteurs lorsque vous travaillez avec un outil électrique. Ils pourraient vous distraire et vous faire faire une fausse manœuvre.
- 2) Sécurité électrique
  - a) Les fiches des outils électriques doivent correspondre aux prises murales. Ne jamais modifier la fiche de quelque façon que ce soit. Ne pas utiliser de fiches d'adaptation avec des outils électriques mis à la terre (mis à la masse). Des fiches non modifiées et des prises qui leur correspondent réduiront le risque de choc électrique.
  - b) Évitez tout contact corporel avec des surfaces mises à la terre (tuyauterie, radiateurs, cuisinières, réfrigérateurs, etc). Le risque de choc électrique est plus grand si votre corps est en contact avec la terre.
  - c) N'exposez pas les outils électriques à la pluie ou

à l'eau. La présence d'eau dans un outil électrique augmente le risque de choc électrique.

- d) **Ne maltraitez pas le cordon. Ne transportez jamais l'outil par son cordon et ne débranchez jamais la fiche en tirant sur le cordon. N'exposez pas le cordon à la chaleur, à des huiles, à des arrêtes vives ou à des pièces en mouvement. Un cordon endommagé augmente le risque de choc électrique.**
- e) **Lorsque vous utilisez un outil électrique à l'extérieur, utilisez un prolongateur adapté à une utilisation en extérieur. L'utilisation d'un cordon adapté à une utilisation extérieure réduit le risque de choc électrique.**
- f) **Si vous devez utiliser un outil électrique dans un endroit humide, utilisez un dispositif de courant résiduel (RCD) d'alimentation protégée. L'utilisation d'un RCD réduit le risque de choc électrique.**

### 3) Sécurité des personnes

- a) **Restez alerte, concentrez-vous sur votre travail et faites preuve de bon sens. N'utilisez pas un outil électrique si vous êtes fatigué ou sous l'influence de drogues, d'alcool ou de médicaments. Un instant d'inattention lors de l'utilisation d'outils électriques peut entraîner des blessures graves.**
  - b) **Utilisez des accessoires de sécurité. Portez toujours une protection oculaire. De l'équipement de sécurité tel que le masque antipoussière, les chaussures de sécurité antidérapantes, des casques durs ou des protections antibruit utilisés dans des conditions appropriées réduiront les blessures corporelles.**
  - c) **Évitez les démarrages accidentels. Avant d'insérer la batterie dans l'outil, assurez-vous que son interrupteur est en position « OFF » (Arrêt) ou verrouillée. Le fait de transporter un outil avec le doigt sur la détente/l'interrupteur ou d'insérer la batterie dans un outil dont la détente est en position « ON » (Marche) peut causer un accident.**
  - d) **Retirer les clés de réglage avant de mettre l'outil sous tension. Une clé restée attachée à une partie mobile de l'outil pourrait entraîner des blessures corporelles.**
  - e) **Ne vous penchez pas trop en avant. Maintenez un bon appui et restez en équilibre en tout temps. Une bonne stabilité vous permet de mieux réagir à une situation inattendue.**
  - f) **Habillez-vous convenablement. Ne portez ni vêtements flottants ni bijoux. Gardez les cheveux, les vêtements et les gants éloignés des pièces en mouvement. Les vêtements flottants, les bijoux ou les cheveux longs risquent d'être happés par des pièces en mouvement.**
  - g) **Si un sac de récupération de la poussière est fourni avec un connecteur pour aspirateur, assurez-vous qu'il est correctement relié et utilisé de façon appropriée. L'utilisation de ce système réduit les dangers physiques et physiologiques liés à la poussière.**
  - h) **Ne laissez pas les habitudes acquises par une utilisation fréquente d'outils relâcher notre vigilance et ignorer les principes de sécurité des outils. Une utilisation négligente peut causer des blessures graves en une fraction de seconde.**
- ### 4) Utilisation et entretien de l'outil
- a) **Ne forcez pas l'outil. Utilisez l'outil approprié à la tâche. L'outil approprié fonctionne mieux et de façon plus sécuritaire. Respectez aussi la vitesse de travail qui lui est propre.**
  - b) **N'utilisez pas un outil si l'interrupteur ne le met pas en marche ou ne peut l'arrêter. Un outil qui ne peut être contrôlé par l'interrupteur est dangereux et doit être réparé.**
  - c) **Débranchez la batterie de l'outil ou mettez son interrupteur en position « OFF » (Arrêt) ou « LOCKED » (Verrouillé) avant d'effectuer un réglage, de changer d'accessoire ou de ranger l'outil. De telles mesures de sécurité préventive réduisent le risque de démarrage accidentel de l'outil.**
  - d) **Rangez les outils hors de portée des enfants et d'autres personnes inexpérimentées. Les outils sont dangereux dans les mains d'utilisateurs novices.**
  - e) **Prenez soin de bien entretenir les outils. Soyez attentif à tout désalignement ou coincement des pièces en mouvement, à tout bris ou à toute autre condition préjudiciable au bon fonctionnement de l'outil. Si vous constatez qu'un outil est endommagé, faites-le réparer avant de vous en servir. De nombreux accidents sont causés par des outils en mauvais état.**
  - f) **Les outils de coupe doivent être toujours bien affûtés et propres. Des outils bien entretenus, dont les arêtes sont bien tranchantes, sont moins susceptibles de se coincer et plus faciles à contrôler.**
  - g) **Utilisez l'outil électrique, les accessoires et les forets etc., en conformité avec ces instructions et de la manière conçue pour le type particulier d'outil électrique, prend en compte les conditions de travail et le travail qui doit être accompli. L'emploi de l'outil électrique pour des opérations différentes de celles pour lesquelles il a été conçu pourrait entraîner une situation dangereuse.**
  - h) **Maintenez les poignées et les surfaces de prise sèches, propres et exemptes d'huile et de graisse. Des poignées et surfaces de prise glissantes ne permettent pas une manipulation et un contrôle**

sécurisés de l'outil dans des situations inattendues.

## 5) Utilisation de la batterie et entretien

- a) **Un outil à batterie avec batteries incorporées ou une batterie séparée doit être rechargé uniquement avec le chargeur indiqué pour la batterie.** *Un chargeur qui peut être adéquat pour un type de batterie peut créer un risque d'incendie lorsqu'il est utilisé avec une autre batterie.*
  - b) **Utiliser un outil à batterie uniquement avec la batterie désignée.** *L'emploi de toute autre batterie peut créer un risque d'incendie.*
  - c) **Lorsque la batterie n'est pas utilisée, tenez-la à l'écart d'autres objets métalliques tels que trombones, pièces de monnaie, clés, clous, vis ou autres petits objets métalliques susceptibles d'établir une connexion d'une borne à une autre.** *Le court-circuitage des bornes de batterie peut causer des étincelles, des brûlures, une explosion ou un incendie.*
  - d) **Dans le cadre de conditions d'abus, du fluide peut être éjecté de la batterie, évitez tout contact. Si un contact se produisait accidentellement, rincez abondamment avec de l'eau. Si le fluide touche les yeux, cherchez en plus de la mesure précédente de l'aide médicale.** *Le fluide éjecté de la batterie peut causer des irritations ou des brûlures.*
  - e) **N'utilisez pas une batterie ou un outil endommagé ou modifié.** *Les batteries endommagées ou modifiées peuvent avoir un comportement imprévisible entraînant un incendie, une explosion ou un risque de blessure.*
  - f) **N'exposez pas une batterie ou un outil au feu ou à une température excessive.** *Une exposition au feu ou à une température supérieure à 265 °F (130 °C) pourrait provoquer une explosion.*
  - g) **Respectez toutes les instructions de chargement et ne chargez pas la batterie ou l'outil en dehors de la plage de température spécifiée dans les instructions.** *Un chargement incorrect ou à des températures en dehors de la plage spécifiée peut endommager la batterie et augmenter le risque d'incendie.*
- ## 6) Entretien
- a) **Ayez votre outil électrique entretenu par un réparateur agréé n'utilisant que des pièces de rechange identiques.** *Cela assurera que la sécurité de l'outil électrique est maintenue.*
  - b) **Ne jamais tenter de réparer des batteries endommagées.** *L'entretien et la réparation des batteries doit uniquement être effectué par le fabricant ou par des centres de services agréés.*

## CONSIGNES DE SÉCURITÉ RELATIVES AU TOURNEVIS

- 1) **Lors de l'exécution d'une opération au cours de laquelle l'outil de coupe peut venir en contact avec les fils cachés ou son propre cordon, tenez l'outil par ses surfaces isolées de préhension.** *Le contact avec un fil sous tension rendra les pièces métalliques exposées de l'outil sous tension et causera des chocs à l'opérateur.*

## CONSIGNES GÉNÉRALES DE SÉCURITÉ CONCERNANT LA BATTERIE

- a) **Ne pas démonter, ouvrir ou déchiqeter le bloc batterie.**
- b) **Ne pas exposer le bloc batterie à la chaleur ou au feu.** *Évitez de ranger la batterie dans un endroit exposé à la lumière directe du soleil.*
- c) **Ne pas court-circuiter une batterie.** *Ne stockez pas les blocs batterie en vrac dans une boîte ou un tiroir où ils peuvent se court-circuiter ou être court-circuités par d'autres objets métalliques.* *Lorsque le bloc batterie n'est pas utilisé, conservez-le loin d'autres objets métalliques, tels que des trombones, des pièces de monnaie, des clés, des clous, des vis ou d'autres objets métalliques de petite taille, qui pourraient établir une connexion d'un terminal à l'autre.* *Le fait de créer un court-circuit entre les bornes de la batterie peut causer des brûlures ou des incendies.*
- d) **Ne pas retirer la batterie de son emballage d'origine avant utilisation dans l'appareil.**
- e) **Ne pas soumettre la batterie à des chocs mécaniques.**
- f) **En cas de fuite de la batterie, ne pas laisser le liquide entrer en contact avec la peau ou les yeux.** *Si un contact a été effectué, laver la zone touchée avec beaucoup d'eau et consulter un médecin.*
- g) **Respecter les marques plus (+) et moins (-) sur le bloc batterie et sur l'appareil et veiller à bien le positionner.**
- h) **Ne pas utiliser de batterie qui n'a pas été conçue pour être utilisée avec cet appareil.**
- i) **Maintenez la batterie hors de portée des enfants.**
- j) **Consultez immédiatement un médecin si une cellule ou une batterie a été avalée.**
- k) **Achetez toujours une batterie recommandée par le fabricant de l'appareil.**
- l) **Conservez le bloc batterie propre et sec.**
- m) **Essuyez les bornes de la batterie avec un chiffon**

- propre et sec si elles deviennent sales.
- n) **La batterie doit être chargée avant son utilisation. Utilisez toujours le chargeur adapté et reportez-vous aux instructions du fabricant ou au manuel de l'équipement pour suivre les instructions concernant la procédure de charge.**
  - o) **Ne laissez pas le bloc batterie en charge prolongée lorsqu'il n'est pas utilisé.**
  - p) **Après de longues périodes de stockage, il peut être nécessaire de charger et de décharger la batterie plusieurs fois pour obtenir des performances optimales.**
  - q) **Rechargez le bloc batterie uniquement avec le chargeur spécifié par Cat®. N'utilisez pas un chargeur autre que celui spécifiquement conçu pour être utilisé avec l'équipement.**
  - r) **Conservez la documentation originale du produit pour référence ultérieure.**
  - s) **Utilisez uniquement la batterie dans l'application pour laquelle elle a été prévue.**
  - t) **Retirez la batterie de l'équipement lorsqu'il n'est pas utilisé.**
  - u) **Éliminez la batterie de façon adéquate.**
  - v) **Ne pas mélanger des cellules de fabricants, de capacités, de tailles ou de type différents dans un appareil.**

## SYMBOLES



Afin de réduire les risques de blessure, l'utilisateur doit lire ce mode d'emploi.



Avertissement



Portez une protection auditive



Portez un protecteur oculaire



Portez un masque anti poussières



Li-Ion

Batterie Li-Ion. Les batteries doivent être recyclées en collecte sélective.



Ne pas jeter au feu



Les batteries peuvent pénétrer dans le cycle de l'eau si recyclées de manière incorrecte, ce qui peut être dangereux pour l'écosystème. Ne pas jeter les batteries usées comme déchets municipaux non-triés.




**call2recycle®**

POSITEC Inc. a formé un partenariat avec RBRC Corporation pour le recyclage des batteries Positec portant le sceau RBRC-call2recycle. Pour la protection de l'environnement, veillez à ne pas jeter les batteries aux poubelles. À la fin du cycle de vie de la batterie, appelez 1-800-822-8837 pour un service gratuit qui mettra la batterie au rebut selon les règles de l'art.

## DONNÉES TECHNIQUES

Type DX71 DX71B (désignation 71 des machines, représentative du conducteur d'impact)

	DX71	DX71B
Tension	18V $\equiv$	
Vitesse à vide	0-1300/2100/3200 /min	
Taux de percussion	0-1600/2900/3600 bpm	
Couple maximal	1900 in/lbs (215 N.m)	
Calibre du mandrin	1/4" (6.35 mm)	
Capacité de la batterie (DXB2)	2.0 Ah	/
Entrée chargeur (DXC4)	120V~60Hz, 95W	/
Sortie chargeur (DXC4)	20 V $\equiv$ 4 A	/
Classe de protection du chargeur	 /II	/
Poids de la machine	3.35 lbs (1.52 kg)	2.56 lbs (1.16 kg)

## ACCESSOIRES

	DX71	DX71B
Crochet de ceinture	1	1
Bloc-piles (DXB2)	2	/
Chargeur (DXC4)	1	/

Nous vous recommandons d'acheter tous vos accessoires du même magasin qui vous a vendu l'outil. Pour de plus amples renseignements, consultez l'emballage de l'accessoire. Le personnel du magasin peut également vous conseiller.

# INSTRUCTIONS D'UTILISATION



**REMARQUE:** Avant d'utiliser cet outil, assurez-vous de lire attentivement le manuel d'utilisation.

## UTILISATION PRÉVUE

La machine est destinée à la fixation et au desserrage de boulons, d'écrous et de diverses fixations filetées.

## AVANT LA MISE EN SERVICE

### 1. CHARGEZ VOTRE BATTERIE (VOIR FIG. A)

### 2. VÉRIFICATION DE L'ÉTAT DE LA BATTERIE

5 voyants LED indiquent l'état de la batterie. Avant de commencer ou après utilisation, appuyez sur le bouton à côté des voyants pour vérifier l'état de charge de la batterie.

## ASSEMBLAGE

### 1. INSERTION D'UN PORTE-EMBOUT, D'UNE DOUILLE OU D'UN EMBOUT DE TOURNEVIS (NON FOURNI) (VOIR FIG. B1)

Tirez le manchon de verrouillage de la pince vers l'avant. Insérez complètement le foret souhaité dans le mandrin et relâchez la douille de verrouillage de la pince.

**REMARQUE:** Essayez de tirer le foret après avoir relâché le verrouillage de la pince manchon pour vous assurer que le foret est complètement verrouillé dans le mandrin.

### 2. RETRAIT D'UN PORTE-EMBOUT, D'UNE DOUILLE OU D'UN EMBOUT DE TOURNEVIS (NON FOURNI) (VOIR FIG. B2)

Tirez le manchon de verrouillage de la pince vers l'avant. Retirez le foret du mandrin et relâchez la douille de verrouillage de la pince.

### 3. POUR RETIRER OU INSTALLER LA BATTERIE (VOIR FIG. C)

Appuyez sur le bouton de libération de la batterie pour libérer et faire glisser la batterie hors de votre outil. Après la recharge, faites-le glisser dans votre outil. Une simple poussée et une légère pression suffiront.

## OPÉRATION


### 1. GÂCHETTE À VITESSE VARIABLE (VOIR FIG. D)

Appuyez sur la gâchette à vitesse variable pour démarrer et relâchez-la pour arrêter votre outil. C'est également le commutateur de vitesse variable qui déclenche des vitesses plus rapides en appuyant davantage du la gâchette ou qui déclenche des vitesses plus lentes en appuyant moins fort sur la gâchette - la vitesse est contrôlée en modifiant la pression appliquée sur le commutateur.

### 2. VERROUILLAGE DE L'INTERRUPTEUR

La gâchette peut être verrouillée en position OFF. Cela aide à réduire la possibilité de démarrage accidentel lorsqu'il n'est pas utilisé. Pour verrouiller la gâchette, placez la direction de la commande de rotation en position centrale.

### 3. INTERRUPTEUR AVANT ET ARRIÈRE (VOIR FIG. D)

Rotation vers l'avant: Poussez et appuyez sur le «  » de l'arrière du corps vers l'avant du corps pour entrer.

Rotation inverse: Poussez et appuyez sur le «  » du front de la machine vers arrière pour retirer les embouts.



**AVERTISSEMENT:** Ne changez jamais le sens de rotation lorsque l'outil tourne, attendez qu'il soit arrêté.

### 4. BOUTON DE COMMUTATEUR À 3 VITESSES (VOIR FIG. E)

Le pilote a 3 vitesses pour votre sélection. Appuyez sur le bouton de commutateur à 3 vitesses pour sélectionner la vitesse requise. Sélectionnez la vitesse lente, le voyant droit est vert. Sélectionnez la vitesse moyenne, le voyant central est vert. Sélectionnez la vitesse élevée, le voyant gauche est vert.

### 5. UTILISEZ LE VOYANT LED

Pour activer la lumière, appuyez sur la gâchette à vitesse variable et assurez-vous que le commutateur avant et arrière est positionné à gauche ou à droite. Lorsque vous relâchez la gâchette à vitesse variable, la lumière s'éteindra dans les 10 secondes.

### 6. CROCHET DE CEINTURE

Vissez le crochet de ceinture sur l'outil avec la vis fournie dans le sac en plastique. Le crochet de ceinture peut être accroché à votre ceinture ou à votre poche, etc.

### 7. PROTECTION DE SURCHARGE

En cas de surcharge, le moteur s'arrête. Relâchez immédiatement la charge de la machine et laissez refroidir pendant env. 30 secondes à la vitesse à vide la plus élevée.

### 8. PROTECTION CONTRE LES SURCHARGES DÉPENDANT DE LA TEMPÉRATURE

Lorsqu'il est utilisé comme prévu, l'outil électrique ne peut pas être soumis à une surcharge. Lorsque la charge est trop élevée ou que la température admissible de la batterie de 167°F (75°C) est dépassée, la commande électronique arrête l'outil électrique jusqu'à ce que la température soit à nouveau dans la plage de température optimale.

## 9. PROTECTION CONTRE LES DÉCHARGES PROFONDES

La batterie Li-ion est protégée contre les décharges profondes par le «système de protection contre la décharge». Lorsque la batterie est complètement déchargée, la machine est arrêtée par un circuit de protection: L'outil inséré ne tourne plus.

## PROBLÈMES ET SOLUTIONS

### 1. QUELLES SONT LES RAISONS DE LA DIFFÉRENCE D'AUTONOMIE DES BLOCS-PILES.

Des situations de charge comme celles mentionnées ci-haut et de stockage prolongé peuvent réduire l'autonomie et la durée de vie du bloc-pile. Ceci peut être corrigé après plusieurs cycles de charges et de décharges. Des conditions de travail sévères, par exemple de vissage de grosses vis dans du bois dur, déchargeront plus rapidement le bloc-pile que des conditions moins sévères. Ne rechargez pas votre pile en dessous de 32°F (0°C) ni au-dessus de 104°F (40°C) car ceci affectera ses performances.

## ENTRETIEN

### **Retirer le bloc-piles de l'outil avant d'effectuer tout ajustement, entretien ou maintenance.**

Votre outil ne nécessite aucune lubrification ou entretien supplémentaire. Il ne comporte aucune pièce à réparer ou à entretenir par l'utilisateur. N'utilisez jamais de l'eau ou des nettoyants chimiques pour nettoyer l'outil. Essuyez-le avec un chiffon sec. Rangez toujours votre outil dans un endroit sec. Gardez propres les ouvertures de ventilation du moteur. Si vous remarquez des étincelles dans les ouvertures de ventilation, ceci est normal et n'endommagera pas votre outil.

### **POUR LES OUTILS DE LA BATTERIE**

La plage de température ambiante pour l'utilisation et le stockage de l'outil et de la batterie est 32 à 113°F (0°C à 45°C).

La plage de température ambiante recommandée pour le système de charge pendant la charge est de 32 à 104°F (0°C à 40°C).




# LISTA DE COMPONENTES

1. BUJE DE BLOQUEO DEL COLLAR
2. INTERRUPTOR DE AVANCE Y RETROCESO
3. DISPARADOR DE VELOCIDAD VARIABLE
4. PINZA DEL CINTURÓN
5. BOTÓN DE CAMBIO DE UNIDAD
6. LUZ DE VISTA
7. LENGÜETAS DE LIBERACIÓN DE LAS BATERÍAS*
8. PAQUETE DE BATERÍAS*


\* No todos los accesorios ilustrados o descritos se incluyen junto con el producto estándar.

## SEGURIDAD DEL PRODUCTO


 **ADVERTENCIA:** El polvo originado por la utilización de herramientas motorizadas contiene químicos que, según el Estado de California, causan cáncer, defectos congénitos y otros daños reproductivos. Algunos ejemplos de esos productos químicos son:

- El plomo de las pinturas a base de plomo;
- La sílice cristalina de los ladrillos, del cemento y de otros productos de albañilería;
- El arsénico y el cromo de la madera tratada químicamente.

El riesgo que se corre a causa del contacto con esos productos varía según la frecuencia con que usted realice este tipo de trabajos. Con el fin de reducir su exposición a esas sustancias químicas: trabaje en un área bien ventilada; utilice un equipo de seguridad adecuado, tal como una máscara contra el polvo especialmente diseñada para filtrar partículas microscópicas.

 **ADVERTENCIA:** Este producto puede exponerlo a sustancias químicas, como plomo y di (2-etilhexilo) ftalato (DEHP), que el estado de California reconoce como causantes de cáncer y defectos de nacimiento u otros daños reproductivos. Para más información visite [www.P65Warnings.ca.gov](http://www.P65Warnings.ca.gov).

## ADVERTENCIAS DE SEGURIDAD GENERALES PARA LA HERRAMIENTA MOTORIZADA

 **ADVERTENCIA!** Lea y comprenda todas las instrucciones. El no seguir todas las instrucciones a continuación puede ocasionar descargas eléctricas, incendios y/o heridas graves.

Conserve todas las advertencias e instrucciones para consulta futura.

El término “herramienta eléctrica” que figura en todas las advertencias que aparecen a continuación hace referencia a la herramienta que funciona con la red de suministro eléctrico (con cable) o a la herramienta eléctrica accionada a baterías (sin cable).

- 1) Área de trabajo
  - a) Mantenga su lugar de trabajo limpio y bien iluminado. Bancos de trabajo desordenados y lugares oscuros invitan a los accidentes.
  - b) No utilice herramientas eléctricas en atmósferas explosivas, como por ejemplo en presencia de líquidos, inflamables, gases o polvo. Las herramientas eléctricas crean chispas que pueden encender el polvo o los vapores.
  - c) Mantenga a los espectadores, niños y visitantes a una distancia prudente cuando esté utilizando una herramienta eléctrica. Las distracciones pueden hacerle perder el control.
- 2) Seguridad eléctrica
  - a) Los enchufes de las herramientas eléctricas deben coincidir con el tomacorriente. No modifique de algún modo el enchufe. No utilice enchufes adaptadores con herramientas eléctricas conectadas a tierra. Si no se modifican los enchufes y se utilizan los tomacorrientes adecuados, se reducirá el riesgo de una descarga eléctrica.
  - b) Evite el contacto del cuerpo con las superficies conectadas a tierra tales como tuberías, radiadores, estufas de cocina y refrigeradores. Existe mayor riesgo de que se produzcan descargas eléctricas si su cuerpo está conectado a tierra.
  - c) No exponga las herramientas eléctricas a la lluvia ni a los ambientes húmedos. La entrada de agua en una herramienta eléctrica aumenta el riesgo de que

se produzcan descargas eléctricas.

d) **No abuse del cable.** Nunca use el cable para transportar las herramientas ni para sacar el enchufe de un tomacorriente. Mantenga el cable alejado del calor, el aceite, los bordes afilados o las piezas móviles. *Los cables dañados aumentan el riesgo de que se produzcan descargas eléctricas.*

e) **Cuando opere una herramienta eléctrica en exteriores, use un cable de extensión adecuado para uso en exteriores.** *El uso de un cable adecuado para uso en exteriores reduce el riesgo de descargas eléctricas.*

f) **Si operar una herramienta eléctrica en un lugar húmedo es inevitable, use un elemento protegido del dispositivo de corriente residual (RCD).** *El uso de un RCD reduce el riesgo de descargas eléctricas.*

### 3) Seguridad personal

a) **Manténgase alerta, fíjese en lo que está haciendo y use el sentido común cuando utilice una herramienta eléctrica.** No use la herramienta cuando esté cansado o se encuentre bajo la influencia de drogas, alcohol o medicamentos. *Un momento de distracción al utilizar herramientas eléctricas puede dar lugar a lesiones personales graves.*

b) **Utilice equipo de seguridad. Use siempre protección ocular.** *La utilización del equipo de seguridad como máscara antipolvo, zapatos de seguridad antideslizantes, casco o protección auditiva para condiciones adecuadas reducirá el riesgo de lesiones personales.*

c) **Evite el arranque accidental. Asegúrese de que el interruptor esté en la posición de trabado o de apagado antes de instalar el paquete de baterías.** *Transportar herramientas con el dedo en el interruptor o instalar el paquete de batería cuando el interruptor está encendido invitan a los accidentes.*

d) **Retire las llaves o claves de ajuste antes de encender la herramienta.** *Una llave o clave de ajuste dejada en una parte giratoria de la herramienta puede causar una lesión personal.*

e) **No intente alcanzar demasiado lejos. Mantenga un apoyo de los pies y un equilibrio adecuados en todo momento.** *El apoyo de los pies y el equilibrio adecuados permiten un mejor control de la herramienta en situaciones inesperadas.*

f) **Vístase apropiadamente. No se ponga ropa holgada ni joyas. Mantenga su cabello, ropa y guantes alejados de las piezas móviles.** *La ropa holgada, las joyas o el pelo largo pueden quedar atrapados en las piezas móviles.*

g) **Si se proporcionan dispositivos para la extracción**

y recolección de polvo, asegúrese que estos estén conectados y utilizados correctamente. *El uso de estos dispositivos puede reducir peligros relacionados con el polvo.*

h) **No permita que la familiaridad obtenida a partir del uso frecuente de otras herramientas le permita volverse complaciente e ignorar los principios de seguridad de la herramienta.** *Una acción descuidada puede causar lesiones severas en una fracción de segundo.*

### 4) Uso y cuidado de la herramienta

a) **No fuerce la herramienta.** Emplee la herramienta correcta para la aplicación que desea. *TLa herramienta correcta hará el trabajo mejor y con más seguridad a la capacidad nominal para la que está diseñada.*

b) **No utilice la herramienta si el interruptor no la enciende o apaga.** *Toda herramienta que no se pueda controlar con el interruptor es peligrosa y debe ser reparada.*

c) **Desconecte la batería de la herramienta o ponga el interruptor en la posición de trabado o de apagado antes de hacer cualquier ajuste, cambio de accesorios o guardar la herramienta.** *Estas medidas de seguridad preventivas reducen el riesgo de encender la herramienta accidentalmente.*

d) **Guarde las herramientas que no esté usando fuera del alcance de los niños y otras personas no capacitadas.** *Las herramientas son peligrosas en las manos de los usuarios no capacitados.*

e) **Mantenga las herramientas con cuidado.** Compruebe la desalineación o el atasco de las piezas móviles, la ruptura de piezas y cualquier otra situación que pueda afectar el funcionamiento de las herramientas. Si la herramienta está dañada, hágala arreglar antes de usarla. *Muchos accidentes son causados por herramientas mantenidas deficientemente.*

f) **Conserve las herramientas de corte afiladas y limpias.** *Las herramientas mantenidas adecuadamente, con bordes de corte afilados, tienen menos probabilidades de atascarse y son más fáciles de controlar.*

g) **Utilice la herramienta eléctrica, accesorios, brocas de la herramienta, etc. de acuerdo con estas instrucciones y de la manera adecuada para el tipo de herramienta eléctrica, teniendo en cuenta las condiciones de trabajo y el trabajo que se realizará.** *La utilización de la herramienta eléctrica para operaciones diferentes de aquellas para las que se encuentra diseñada podría dar lugar a una situación peligrosa.*

h) **Mantenga las manijas y las superficies de sujeción**

secas, limpias y libres de aceite y grasa. Las manijas y superficies de sujeción resbaladizas no permiten el manejo y control seguros de la herramienta en situaciones inesperadas.

- 5) **Utilización y cuidado de la herramienta accionada a baterías**
  - a) Una herramienta accionada a baterías que tenga baterías integradas o un paquete de baterías separado se debe recargar solamente con el cargador especificado para la batería. *Un cargador que puede ser adecuado para un tipo de batería puede crear un peligro de incendio cuando se usa con otra batería.*
  - b) Utilice la herramienta accionada a baterías solamente con el paquete de baterías designado específicamente. *El uso de cualquier otra batería puede crear un peligro de incendio.*
  - c) Cuando el paquete de baterías no se usa, manténgalo alejado de otros objetos metálicos como: sujetapapeles, monedas, clavos, tornillos u otros pequeños objetos de metal capaces de hacer una conexión entre los terminales. *El cortocircuito de los terminales de una batería puede causar chispas, quemaduras o incendio.*
  - d) Bajo condiciones abusivas, la batería puede expulsar líquido; evite el contacto. Si ocurre un contacto accidental, enjuagar con agua. Si el líquido entra en contacto con los ojos, busque ayuda médica. *El líquido expulsado por la batería puede causar irritación o quemaduras.*
  - e) No use un paquete de batería o una herramienta que esté dañada o modificada. *Las baterías dañadas o modificadas pueden presentar un comportamiento imprevisto que resulte en incendios, explosión o riesgo de lesiones.*
  - f) No exponga un paquete de batería o herramienta a fuego o temperatura excesiva. *La exposición a fuego o temperatura mayor a 265°F (130 °C) pueden causar una explosión.*
  - g) Siga todas las instrucciones de carga y no cargue el paquete de batería o la herramienta fuera del rango de temperatura especificado en las instrucciones. *Cargar inadecuadamente o en temperaturas fuera del rango especificado pueden dañar la batería e incrementar el riesgo de incendio.*
- 6) **Reparación**
  - a) La herramienta debe ser reparada por una persona calificada de servicio técnico y se deben utilizar partes de reemplazo idénticas. *Esto asegurará el mantenimiento de la seguridad de la herramienta eléctrica.*
  - b) Nunca dé servicio a paquetes de batería dañados.

*El servicio de paquetes de batería sólo debe ser realizado por el fabricante o proveedores de servicio autorizados.*

## ADVERTENCIAS DE SEGURIDAD PARA EL DESARMADOR

- 1) Sujete la herramienta por las áreas de agarre aisladas cuando realice una operación en la que la herramienta de corte pueda entrar en contacto con cables ocultos o con su propio cable. *El contacto con un cable que tenga corriente hará que ésta pase a las partes metálicas descubiertas de la herramienta y que el operador reciba descargas eléctricas.*

## ADVERTENCIAS GENERALES DE SEGURIDAD PARA LA BATERÍA

- a) No desensamble, abra o triture el paquete de batería.
- b) No exponga el paquete de batería a calor o fuego. Evite guardar a la luz directa del sol.
- c) No ponga en corto circuito el paquete de batería. No guarde el paquete de batería de forma aleatoria en una caja o cajón donde puedan ponerse en corto circuito entre sí o ponerse en corto circuito por otros objetos metálicos. *Cuando el paquete de batería no esté en uso, manténgalo alejado de otros objetos metálicos, como sujetadores de papel, monedas, llaves, clavos, tornillos u otros objetos metálicos pequeños que puedan establecer una conexión de una terminal a otra. El corto circuito de las terminales de la batería puede causar quemaduras o incendios.*
- d) No retire el paquete de la batería de su empaque original hasta que se requiera para el uso.
- e) No someta el paquete de batería a impacto mecánico.
- f) En el caso de fuga de la batería, no permita que el líquido entre en contacto con la piel o los ojos. Si hay contacto, lave el área afectada con bastante agua y busque atención médica.
- g) Observe las marcas positiva (+) y negativa (-) en la parte posterior de la batería y el equipo para asegurar su uso correcto.
- h) No use ningún paquete de batería que no esté diseñado para uso con el equipo.
- i) Mantenga el paquete de batería fuera del alcance de los niños.
- j) Busque atención médica de inmediato si se ingiere

una celda o una batería.

- k) Siempre adquiera el paquete de batería recomendado por el fabricante del dispositivo para el equipo.
- l) Mantenga el paquete de batería limpio y seco.
- m) Limpie las terminales del paquete de batería con una tela seca limpia su se ensucian.
- n) El paquete de batería se necesita cargar antes del uso. Siempre use el cargador correcto y consulte las instrucciones del fabricante o el manual del equipo para saber las instrucciones correctas de carga.
- o) No deje el paquete de batería en carga prolongada cuando no esté en uso.
- p) Después de periodos prolongados de almacenamiento, puede ser necesario cargar y descargar el paquete de batería varias veces para obtener el desempeño máximo.
- q) Recargue únicamente con el cargador especificado por Cat®. No use cargadores que no sean los específicamente suministrados para uso con el equipo.
- r) Conserve la literatura el producto original para referencia futura.
- s) Sólo use el paquete de batería en la aplicación para la que está diseñado.
- t) Retire el paquete de batería del equipo cuando no esté en uso.
- u) Deséchelo adecuadamente.
- v) No mezcle celdas de diferente fabricación, capacidad, tamaño o tipo dentro del dispositivo.

## SÍMBOLOS



Para reducir el riesgo de lesiones, el usuario deberá leer el manual de instrucciones.



Advertencia



Use lentes de seguridad



Use protección auditiva



Use máscara contra el polvo



Li-Ion

Batería de iones de litio. La batería deberá reciclarse.



No arrojar al fuego



Las baterías pueden entrar al ciclo de agua si se desechan incorrectamente, lo que puede ser peligroso para el ecosistema. No deseche las baterías de desperdicio como desperdicio municipal sin clasificar.




call2recycle®

POSITEC Inc. ha establecido una asociación con la empresa RBRC para el reciclaje de todas las baterías Positec que posean el sello RBRC-call2recycle. Para contribuir con la protección del medio ambiente, no deseche las baterías como residuos normales. Después de que haya finalizado el ciclo de vida útil de la batería, comuníquese al 1-800-822-8837 para acceder al servicio gratuito.

## DATOS TÉCNICOS

Tipo DX71 DX71B (71 - designación de la maquinaria, representativa del controlador de impacto)

	DX71	DX71B
Voltaje	18V $\approx$	
Velocidad sin carga	0-1300/2100/3200 /min	
Índice de percusión	0-1600/2900/3600 bpm	
Torque máximo	1900 in/lbs (215 N.m)	
Capacidad del porta brocas	1/4" (6.35 mm)	
Paquete de batería (DXB2)	2.0 Ah	/
Entrada del cargador (DXC4)	120V~60Hz, 95W	/
Salida del cargador (DXC4)	20 V $\approx$ 4 A	/
Clase de protección del cargador	 /II	/
Peso de la máquina	3.35 lbs (1.52 kg)	2.56 lbs (1.16 kg)

## ACCESORIOS

	DX71	DX71B
Pinza del cinturón	1	1
Paquete De Baterías (DXB2)	2	/
Cargador (DXC4)	1	/

Le recomendamos que compre sus accesorios en la misma tienda que le vendió la herramienta. Consulte el empaque de los accesorios para obtener más detalles. El personal de la tienda también puede ayudarle y aconsejarle.

ES

# INSTRUCCIONES DE USO



**NOTA:** Antes de usar la herramienta, lea atentamente el manual de instrucciones.

## POSIBLE USO

La máquina está diseñada para la fijación y aflojamiento de pernos, tuercas y varios sujetadores roscados.

## ANTES DE PONERLO EN FUNCIONAMIENTO

### 1. CARGUE SU PACK DE BATERÍAS (VER FIG. A)

### 2. COMPROBACIÓN DE LA CONDICIÓN ENERGÉTICA DE LA BATERÍA

Las 5 luces LED muestran el estado de la batería. Antes de comenzar i después de usar, pulse el botón junto a las luces para comprobar el estado de carga de la batería.

## ENSAMBLAJE

### 1. INSERCIÓN DE UN PORTABROCAS, ENCAJE O DESTORNILLADOR (NO SUMINISTRADO) (VER FIG. B1)

Tire del manguito de bloqueo del collar hacia adelante. Inserte completamente la broca deseada en el portabrocas y suelte el manguito de bloqueo del collar **NOTA:** Intente tirar de la broca después de soltar el manguito de bloqueo del collar para asegurarse de que la broca esté completamente bloqueada en el portabrocas.

### 2. DESMONTAJE DE UN PORTABROCAS, EMCAJE O DESTORNILLADOR (NO SUMINISTRADO) (VER FIG. B2)

Tire del manguito de bloqueo del collar hacia adelante. Retire la broca del portabrocas y suelte el casquillo de bloqueo del collar.

### 3. PARA RETIRAR O INSTALAR EL PACK DE BATERÍAS (VER FIG. C)

Presione el botón de liberación de la batería para liberarlo y deslice la batería fuera de su herramienta. Después de recargarlo, deslícelo nuevamente dentro de su herramienta. Simplemente presione suavemente y aplique una ligera presión antes de escuchar el clic.

## OPERACIÓN

### 1. DISPARADOR DE VELOCIDAD VARIABLE (VER FIG. D)

Presione el gatillo de velocidad variable para arrancar su herramienta y libérela para detenerla. Este también es un interruptor de velocidad variable que entrega mayores velocidades con mayor presión en el gatillo o entrega menores velocidades con menor presión en el gatillo; la velocidad se controla variando la presión aplicada al interruptor.

### 2. INTERRUPTOR DE BLOQUEO

El gatillo del interruptor se puede bloquear en la posición OFF. Esto ayuda a reducir la posibilidad de un arranque accidental cuando no esté en uso. Para bloquear el gatillo del interruptor, coloque el control de rotación en la posición central.

### 3. CONTROL DE ROTACIÓN HACIA DELANTE Y HACIA DETRÁS (VER FIG. D)

Rotación hacia delante: Empuje y presione "◀◀" desde la parte posterior del cuerpo hasta la parte delantera del cuerpo para conducirlo. Rotación inversa: Empuje y presione "▶▶" de la parte frontal del cuerpo a la parte posterior del cuerpo para retirar las brocas.



**ADVERTENCIA:** Nunca cambie la dirección de rotación mientras la herramienta está girando, espere hasta que se haya detenido.

### 4. BOTÓN DE CAMBIO DE UNIDAD (VER FIG. E)

El conductor tiene 3 velocidades para su selección. Presione el botón del interruptor de 3 velocidades para seleccionar la velocidad requerida. Seleccione la velocidad baja, la luz derecha estará en verde. Seleccione la velocidad media, la luz media estará en verde. Seleccione la velocidad alta, la luz izquierda estará en verde.

### 5. UTILIZANDO LA LUZ LED

Para encender la luz, presione el gatillo de velocidad variable y asegúrese de que el interruptor de avance y retroceso está en la posición derecha o izquierda. Cuando libere el gatillo de velocidad variable, la luz se apagará en 10 segundos.

### 6. PINZA DEL CINTURÓN

Atornille el clip de cinturón en la herramienta con el tornillo provisto en la bolsa de plástico. El clip para el cinturón se puede enganchar en su cinturón o bolsillo, etc.

### 7. PROTECCIÓN CONTRA SOBRECARGAS

Cuando esté sobrecargado, el motor se detiene. Alivie la carga de la máquina inmediatamente y permita la refrigeración durante aproximadamente 30 segundos a la velocidad de carga más alta.

### 8. PROTECCIÓN DE SOBRECARGA ACORDE A LA TEMPERATURA

Cuando se utiliza la herramienta de manera intencionada no puede producirse una sobrecarga. Cuando la carga es demasiado alta o se supera la temperatura permitida de la batería de 167°F (75°C), el control electrónico apaga la herramienta eléctrica hasta que la temperatura vuelva a estar en el rango de temperatura óptimo.

## 9. PROTECCIÓN CONTRA DESCARGAS PROFUNDAS

La batería de iones de litio está protegida contra descargas profundas mediante el "Sistema de protección de descarga". Cuando la batería está agotada, la máquina se apaga mediante un circuito de protección: La herramienta insertada ya no gira.

## RESOLUCIÓN DE PROBLEMAS

### 1. RAZONES DE LOS DISTINTOS TIEMPOS DE FUNCIONAMIENTO DEL PACK DE BATERÍA.

Los problemas de tiempo de carga, como se señaló arriba, y el hecho de no haber usado la batería por un largo tiempo reducen el rendimiento del paquete de batería. Esto puede remediarse luego de varios ciclos de carga/descarga, utilizando su taladro. Condiciones severas de trabajo, como por ejemplo tornillos grandes en madera dura, agotarán más rápido la energía de la batería que si se trabajara en condiciones más suaves. No recargue su paquete de batería por debajo de 32°F (0°C) ni por encima de 104°F (40°C), ya que esto afectará el rendimiento.

## MANTENIMIENTO

**Retire el Paquete de la batería de la herramienta antes de realizar cualquier ajuste, servicio o mantenimiento.**

Su herramienta no requiere lubricación ni mantenimiento adicional.

No posee piezas en su interior que puedan ser reparadas por el usuario. Nunca emplee agua o productos químicos para limpiar su herramienta.

Use simplemente un paño seco. Guarde siempre su herramienta en un lugar seco. Mantenga limpias las ranuras de ventilación del motor. La observación de chispas que destellan bajo las ranuras de ventilación, indica operación normal que no dañará su herramienta.

### PARA HERRAMIENTAS DE BATERÍA

El rango de temperatura ambiente para uso y almacenamiento de la herramienta y la batería es de 32-113°F (0°C-45°C).

El rango de temperatura ambiente recomendado para el sistema de carga durante la carga es de 32-104°F (0°C-40°C).



[www.catpowertools.com](http://www.catpowertools.com)



©2021 Caterpillar. CAT, CATERPILLAR, their respective logos, "Caterpillar Yellow," the "Power Edge" trade dress as well as corporate and product identity used herein, are trademarks of Caterpillar and may not be used without permission. Positec Group Limited, a licensee of Caterpillar Inc