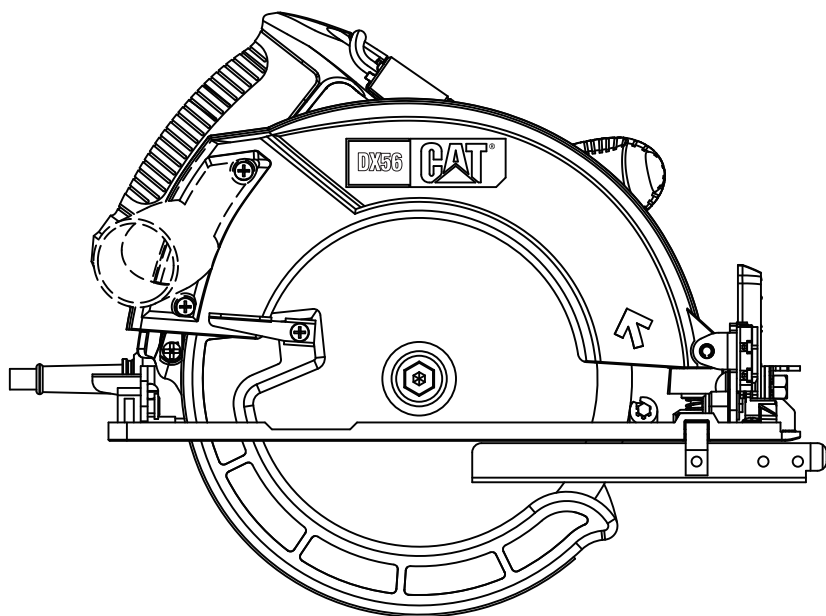


CAT[®]



15A

DX56U



7-1/4 IN. CIRCLUAR SAW

EN

P06

7-1/4 IN. CIRCLUAR SAW

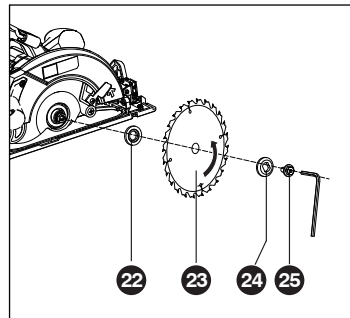
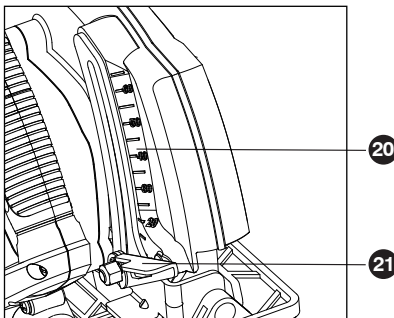
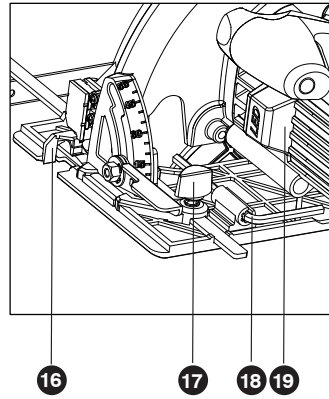
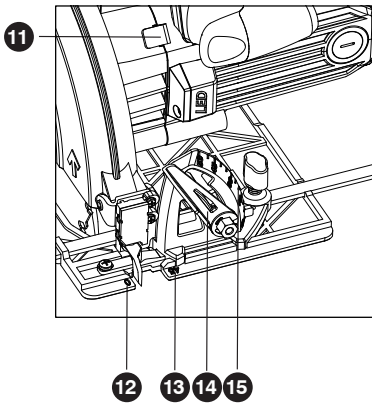
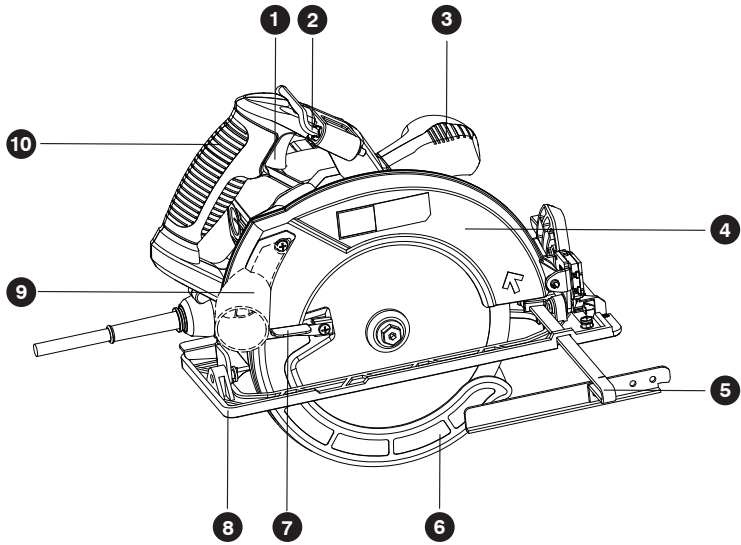
FR

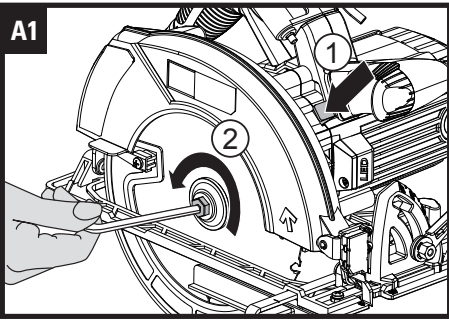
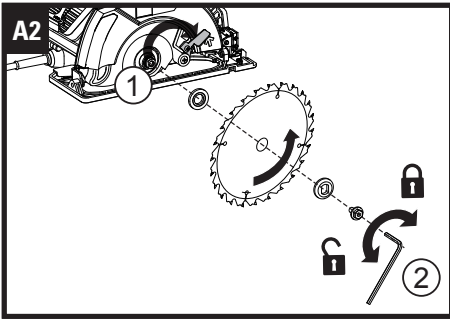
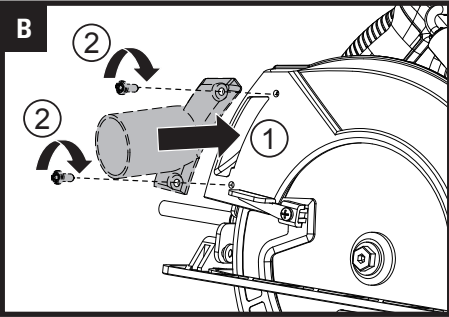
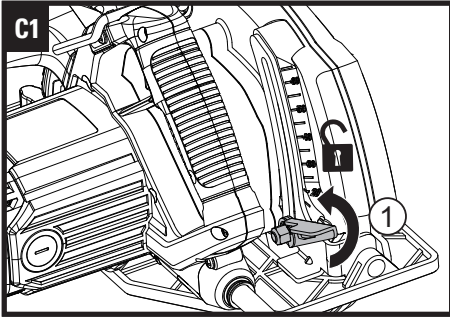
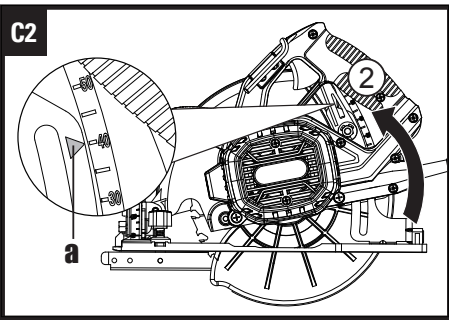
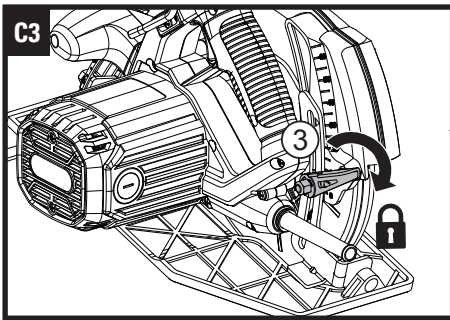
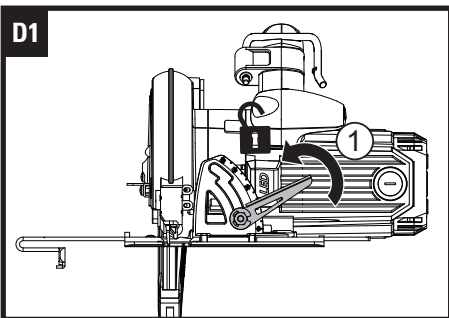
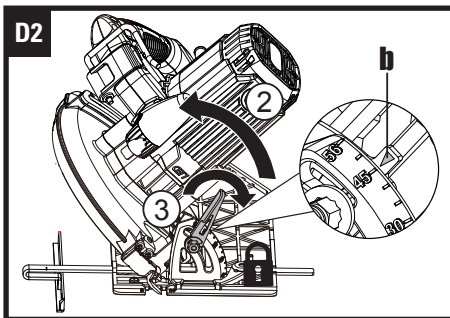
P14

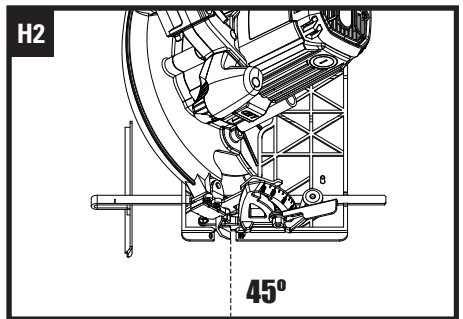
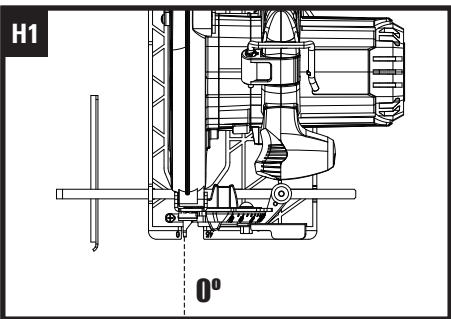
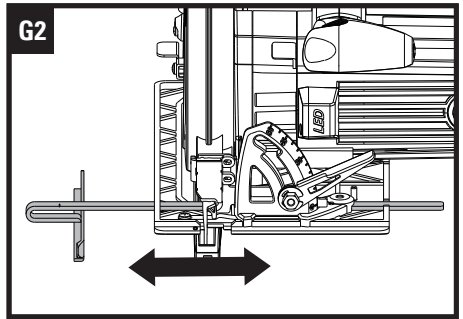
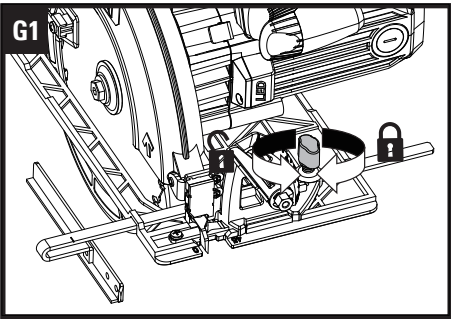
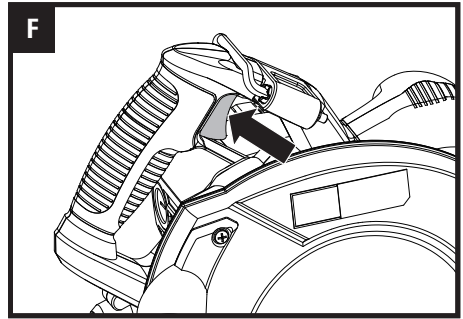
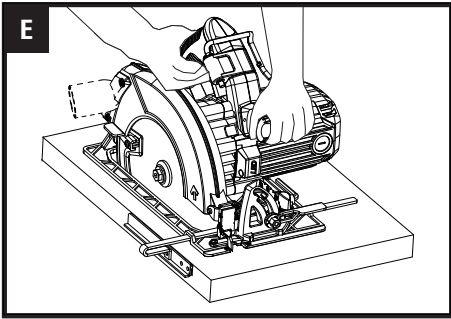
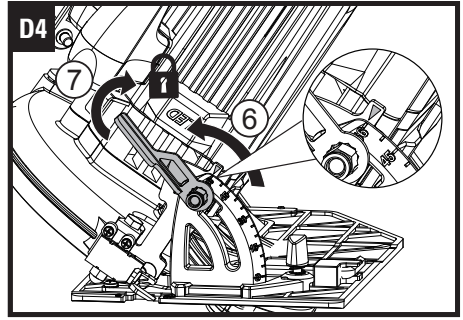
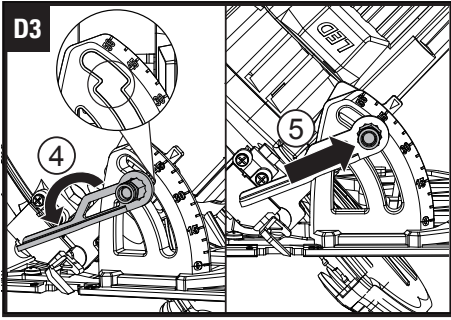
7-1/4 IN. CIRCLUAR SAW

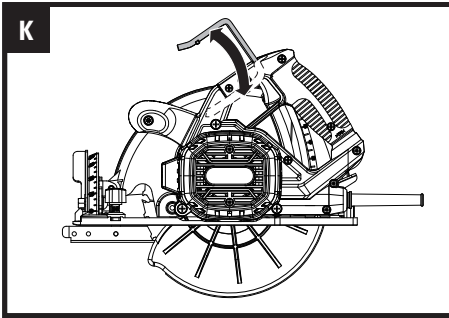
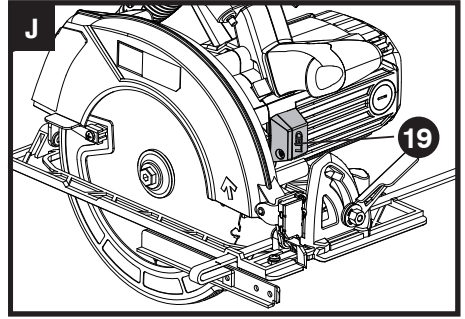
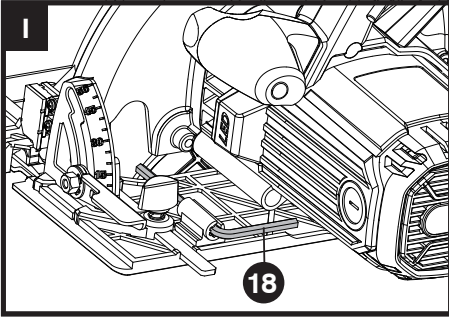
ES

P22



A1**A2****B****C1****C2****C3****D1****D2**





COMPONENT LIST

1. ON/OFF SWITCH
2. RAFTER HOOK
3. FRONT HANDLE
4. FIXED GUARD
5. PARALLEL GUIDE
6. LOWER BLADE GUARD
7. LOWER GUARD LEVER
8. BASE PLATE
9. VACUUM ADAPTER (NOT SUPPLIED)
10. SOFT GRIP HANDLE
11. SPINDLE LOCK BUTTON
12. CUTTING MARK, 0°
13. CUTTING MARK, 45°
14. BASE PLATE BEVEL LOCK LEVER
15. BASE PLATE ANGLE SCALE
16. BEVEL TRACK
17. PARALLEL GUIDE LOCK KNOB
18. HEX KEY
19. LED LIGHT/POWER-ON INDICATOR LIGHT
20. CUTTING DEPTH SCALE
21. CUTTING DEPTH LOCK LEVER
22. INNER FLANGE
23. SAW BLADE
24. OUTER FLANGE
25. BLADE BOLT

Not all the accessories illustrated or described are included in standard delivery.

PRODUCT SAFETY



WARNING: Some dust created by power sanding, sawing, grinding, drilling and other construction activities contains chemicals known to the State of California to cause cancer, birth defects or other reproductive harm. Some examples of these chemicals are:

- Lead from lead-based paints;
- Crystalline silica from bricks and cement and other masonry products;
- Arsenic and chromium from chemically-treated lumber.

Your risk from these exposures varies, depending on how often you do this type of work. To reduce your exposure to these chemicals: work in a well ventilated area, and work with approved safety equipment, such as those dust masks that are specially designed to filter out microscopic particles.



WARNING: This product can expose you to chemicals including lead and Di(2-ethylhexyl) phthalate (DEHP) which are known to the State of California to cause cancer and birth defects or other reproductive harm. For more information go to www.P65Warnings.ca.gov.

GENERAL POWER TOOL SAFETY WARNINGS



WARNING! Read all safety warnings, instructions, illustrations and specifications provided with this power tool. Failure to follow all instructions listed below may result in electric shock, fire and/or serious injury.

Save all warnings and instructions for future reference. The term "power tool" in the warnings refers to your mains-operated (corded) power tool or battery-operated (cordless) power tool.

1) Work area safety

- Keep work area clean and well lit.** Cluttered or dark areas invite accidents.
- Do not operate power tools in explosive atmospheres, such as in the presence of flammable liquids, gases or dust.** Power tools create sparks which may ignite the dust or fumes.
- Keep children and bystanders away while operating a power tool.** Distractions can cause you to lose control.

2) Electrical safety

- Power tool plugs must match the outlet. Never modify the plug in any way. Do not use any adapter plugs with earthed (grounded) power tools.** *Unmodified plugs and matching outlets will reduce risk of electric shock.*
- Avoid body contact with earthed or grounded surfaces, such as pipes, radiators, ranges and refrigerators.** *There is an increased risk of electric shock if your body is earthed or grounded.*
- Do not expose power tools to rain or wet conditions.** *Water entering a power tool will increase the risk of electric shock.*
- Do not abuse the cord. Never use the cord for carrying, pulling or unplugging the power tool. Keep cord away from heat, oil, sharp edges or moving parts.** *Damaged or entangled cords increase the risk of electric shock.*
- When operating a power tool outdoors, use an extension cord suitable for outdoor use.** *Use of a cord suitable for outdoor use reduces the risk of electric shock.*
- If operating a power tool in a damp location is unavoidable, use a residual current device (RCD) protected supply.** *Use of an RCD reduces the risk of electric shock.*

3) Personal safety

- Stay alert, watch what you are doing and use common sense when operating a power tool. Do not use a power tool while you are tired or under the influence of drugs, alcohol or medication.** *A moment of inattention while operating power tools may result in serious personal injury.*
- Use personal protective equipment. Always wear eye protection.** *Protective equipment such as dust mask, non-skid safety shoes, hard hat, or hearing protection used for appropriate conditions will reduce personal injuries.*
- Prevent unintentional starting. Ensure the switch is in the off-position before connecting to power source and/or battery pack, picking up or carrying the tool.** *Carrying power tools with your finger on the switch or energising power tools that have the switch on invites accidents.*
- Remove any adjusting key or wrench before turning the power tool on.** *A wrench or a key left attached to a rotating part of the power tool may result in personal injury.*
- Do not overreach. Keep proper footing and balance at all times.** *This enables better control of the power tool in unexpected situations.*
- Dress properly. Do not wear loose clothing or**

jewelry. Keep your hair, clothing and gloves away from moving parts. Loose clothes, jewelry or long hair can be caught in moving parts.

- g) If devices are provided for the connection of dust extraction and collection facilities, ensure these are connected and properly used. Use of dust collection can reduce dust-related hazards.**
- h) Do not let familiarity gained from frequent use of tools allow you to become complacent and ignore tool safety principles. A careless action can cause severe injury within a fraction of a second.**

4) Power tool use and care


- a) Do not force the power tool. Use the correct power tool for your application. The correct power tool will do the job better and safer at the rate for which it was designed.**
- b) Do not use the power tool if the switch does not turn it on and off. Any power tool that cannot be controlled with the switch is dangerous and must be repaired.**
- c) Disconnect the plug from the power source and/or remove the battery pack, if detachable, from the power tool before making any adjustments, changing accessories, or storing power tools. Such preventive safety measures reduce the risk of starting the power tool accidentally.**
- d) Store idle power tools out of the reach of children and do not allow persons unfamiliar with the power tool or these instructions to operate the power tool. Power tools are dangerous in the hands of untrained users.**
- e) Maintain power tools and accessories. Check for misalignment or binding of moving parts, breakage of parts and any other condition that may affect the power tool's operation. If damaged, have the power tool repaired before use. Many accidents are caused by poorly maintained power tools.**
- f) Keep cutting tools sharp and clean. Properly maintained cutting tools with sharp cutting edges are less likely to bind and are easier to control.**
- g) Use the power tool, accessories and tool bits etc. in accordance with these instructions, taking into account the working conditions and the work to be performed. Use of the power tool for operations different from those intended could result in a hazardous situation.**
- h) Keep handles and grasping surfaces dry, clean and free from oil and grease. Slippery handles and grasping surfaces do not allow for safe handling and control of the tool in unexpected situations.**

5) SERVICE

- a) Have your power tool serviced by a qualified repair person using only identical replacement parts. This will ensure that the safety of the power tool is maintained.**

SAFETY INSTRUCTIONS FOR ALL SAWS

CUTTING PROCEDURES

- a)  DANGER: Keep hands away from cutting area and the blade. Keep your second hand on auxiliary handle, or motor housing. If both hands are holding the saw, they cannot be cut by the blade.**
- b) Do not reach underneath the workpiece. The guard cannot protect you from the blade below the workpiece.**
- c) Adjust the cutting depth to the thickness of the workpiece. Less than a full tooth of the blade teeth should be visible below the workpiece.**
- d) Never hold the workpiece in your hands or across your leg while cutting. Secure the workpiece to a stable platform. It is important to support the work properly to minimise body exposure, blade binding, or loss of control.**
- e) Hold the power tool by insulated gripping surfaces, when performing an operation where the cutting tool may contact hidden wiring or its own cord. Contact with a "live" wire will also make exposed metal parts of the power tool "live" and could give the operator an electric shock.**
- f) When ripping, always use a rip fence or straight edge guide. This improves the accuracy of cut and reduces the chance of blade binding.**
- g) Always use blades with correct size and shape (diamond versus round) of arbour holes. Blades that do not match the mounting hardware of the saw will run off-centre, causing loss of control.**
- h) Never use damaged or incorrect blade washers or bolt. The blade washers and bolt were specially designed for your saw, for optimum performance and safety of operation.**

FURTHER SAFETY INSTRUCTIONS FOR ALL SAWS

KICKBACK CAUSES AND RELATED WARNINGS

- Kickback is a sudden reaction to a pinched, jammed or misaligned saw blade, causing an uncontrolled saw to lift up and out of the

- workpiece toward the operator;
- When the blade is pinched or jammed tightly by the kerf closing down, the blade stalls and the motor reaction drives the unit rapidly back toward the operator;
- If the blade becomes twisted or misaligned in the cut, the teeth at the back edge of the blade can dig into the top surface of the wood causing the blade to climb out of the kerf and jump back toward the operator.

Kickback is the result of saw misuse and/or incorrect operating procedures or conditions and can be avoided by taking proper precautions as given below.

- Maintain a firm grip with both hands on the saw and position your arms to resist kickback forces. Position your body to either side of the blade, but not in line with the blade.** *Kickback could cause the saw to jump backwards, but kickback forces can be controlled by the operator, if proper precautions are taken.*
- When blade is binding, or when interrupting a cut for any reason, release the trigger and hold the saw motionless in the material until the blade comes to a complete stop. Never attempt to remove the saw from the work or pull the saw backward while the blade is in motion or kickback may occur.** *Investigate and take corrective actions to eliminate the cause of blade binding.*
- When restarting a saw in the workpiece, centre the saw blade in the kerf so that the saw teeth are not engaged into the material.** *If a saw blade binds, it may walk up or kickback from the workpiece as the saw is restarted.*
- Support large panels to minimise the risk of blade pinching and kickback.** *Large panels tend to sag under their own weight. Supports must be placed under the panel on both sides, near the line of cut and near the edge of the panel.*
- Do not use dull or damaged blades.** *Unsharpened or improperly set blades produce narrow kerf causing excessive friction, blade binding and kickback.*
- Blade depth and bevel adjusting locking levers must be tight and secure before making the cut.** *If blade adjustment shifts while cutting, it may cause binding and kickback.*
- Use extra caution when sawing into existing walls or other blind areas.** *The protruding blade may cut objects that can cause kickback.*

SAFETY INSTRUCTIONS FOR CIRCULAR SAW WITH INNER PENDULUM GUARD

LOWER GUARD FUNCTION

- Check the lower guard for proper closing before each use. Do not operate the saw if the lower guard does not move freely and close instantly. Never clamp or tie the lower guard into the open position.** *If the saw is accidentally dropped, the lower guard may be bent. Raise the lower guard with the retracting handle and make sure it moves freely and does not touch the blade or any other part, in all angles and depths of cut.*
- Check the operation of the lower guard spring. If the guard and the spring are not operating properly, they must be serviced before use.** *Lower guard may operate sluggishly due to damaged parts, gummy deposits, or a build-up of debris.*
- The lower guard may be retracted manually only for special cuts such as "plunge cuts" and "compound cuts."** *Raise the lower guard by retracting handle and as soon as the blade enters the material, the lower guard must be released. For all other sawing, the lower guard should operate automatically.*
- Always observe that the lower guard is covering the blade before placing the saw down on bench or floor.** *An unprotected, coasting blade will cause the saw to walk backwards, cutting whatever is in its path. Be aware of the time it takes for the blade to stop after switch is released.*

ADDITIONAL SAFETY RULES FOR YOUR CIRCULAR SAW

- Use only saw blades recommended by the manufacturer, which conform to EN 847-1, if intended for wood and analogous materials.
- Do not use any abrasive wheels.
- Use only blade diameter(s) in accordance with the markings.
- Identify the correct saw blade to be used for the material to be cut.
- Use only saw blades that are marked with a speed equal or higher than the speed marked on the tool.

SYMBOLS



To reduce the risk of injury, user must read instruction manual



Warning



Wear eye protection



Wear ear protection



Wear dust mask



Double insulation

EN



Lock



Unlock

TECHNICAL DATA

Type DX56U (56 - designation of machinery, representative of circular saw)

Voltage		120V~60Hz
No load speed		6000 /min
Rated power		15A
Blade size		7-1/4" (185mm)
Cutting capacity	90°	2-9/16"(65mm)
	45°	1-3/4"(45mm)
Bevel capacity		0°-56°
Protection class		□/II
Machine weight		9.49 lbs (4.3 kg)

ACCESSORIES

Parallel guide	1
Hex key	1
Blade (7-1/4" *24T)	1
Rafter hook	1

We recommend that you purchase your accessories from the same store that sold you the tool. Refer to the accessory packaging for further details. Store personnel can assist you and offer advice.

EN

OPERATING INSTRUCTIONS



NOTE: Before using the tool, read the instruction book carefully.

INTENDED USE

The machine is intended for lengthways and crossways cutting of wood with straight cutting lines as well as bevel angles up to 56° while resting firmly on the work piece.

ASSEMBLY

1. CHANGING THE SAW BLADE (SEE FIG. A1-A2)



WARNING:

- Before any work on the machine itself, pull out the mains plug.
- Wear protective gloves when mounting the saw blade. Danger of injury when touching the saw blade.
- Only use saw blades that correspond with the characteristic data given in the operating instructions.
- Do not use grinding discs as the cutting tool under any circumstances.

NOTE: For changing the saw blade, it is best to place the machine on the face side of the motor housing.

- Removing

Press the spindle lock button and keep it depressed. The spindle lock button may be actuated only when the saw blade is at a standstill.

Loosen the blade bolt in counter-clockwise direction with the hex key. Remove the outer flange. Tilt back the lower blade guard and hold it firmly with the lower guard lever. Remove the saw blade.

- Mounting

Clean the saw blade and all the clamping parts to be assembled.

Tilt back the lower blade guard and hold it firmly with the lower guard lever. Place the saw blade onto the inner flange. Assemble the outer flange and the blade bolt onto the saw blade.

Press and hold the spindle lock button, and use the hex key to tighten the blade bolt in clockwise direction firmly.



WARNING:

- Take care that the mounting positions of the inner flange and outer flange are correct.
- When mounting: Ensure that the cutting direction of the teeth (direction of arrow on saw blade) and the direction-of-rotation arrow on the blade guard match.
- Blade teeth are very sharp. For best cutting results ensure you use a saw blade suited to the material and cut quality you need.

2. VACUUM ADAPTER (NOT SUPPLIED) (SEE FIG. B)

Fasten the vacuum adapter onto the dust extraction outlet until it latches. Additionally fasten the vacuum adapter to the fixed guard with the two screws. Directly connect a suitable vacuum hose to the adapter.

NOTE: The vacuum adapter must not be mounted when no external dust extraction is connected. Otherwise there is danger of the extraction system becoming clogged.

Clean the vacuum adapter regularly to ensure optimum dust extraction. The vacuum cleaner must be suitable for the material to be worked.

ADJUSTING

1. ADJUST THE CUTTING DEPTH (SEE FIG. C1-C3)

Turn the cutting depth lock lever counter-clockwise to loosen, and raise the saw body away from the base plate. Set the required cutting depth by aligning the triangle symbol (a) with the cutting depth scale marked on the back of the fixed guard. Turn the cutting depth lock lever clockwise to lock the cutting depth.

When set correctly, the blade teeth should not protrude further than 3/25" (3mm) beneath the workpiece.

NOTE: It is best to carry out a trial cut before cutting your workpiece.

2. BASE PLATE ANGLE ADJUSTMENT (SEE FIG. D1-D4)

Turn the base plate bevel lock lever counter-clockwise to loosen, and tilt the machine away from the base plate. Set the required bevel angle by aligning the triangle symbol (b) with the base plate angle scale.

Tighten the base plate bevel lock lever by turning it in clockwise direction.



WARNING: Do not use the depth of cut scale when making bevel cuts due to possible inaccuracy.

OPERATION

1. HAND GRIP POSITION (SEE FIG. E)

Always hold your saw firmly with both hands when operating.

2. SWITCHING ON AND OFF (SEE FIG. F)

Depress the on/off switch. Your switch is now on. To switch off, just release the on/off switch.

Your saw has an automatic electric brake which is designed to stop the blade from coasting in about three seconds, after you release the trigger switch.

It is useful when making certain cuts in wood where a coasting blade would result in a wide, imprecise cut.



WARNING: Wait until the machine comes to a complete stop before setting down.

3. PARALLEL GUIDE ADJUSTMENT (SEE FIG. G1, G2)

It is used for making cuts parallel to a workpiece edge at a chosen distance. First turn the parallel guide lock knob counter-clockwise to loosen, then slide the parallel guide arm through the fixture to achieve the required cutting distance, then tighten the lock knob by turning it clockwise to securely clamp the parallel guide.

NOTE: It is best to carry out a trial cut before cutting your workpiece.

4. CUTTING GUIDE (SEE FIG. H1, H2)

There is a cutting guide notch on the front of the base plate for use with the parallel guide. For straight cuts, use the 0° guide mark to align with your parallel guide scale. For a 45° bevel cut, use the 45° guide mark to align with your parallel guide scale. Securely clamp the parallel guide. Always make a trial cut to check the setting.

5. BEVEL CUTS

Follow the instructions in BASE PLATE ANGLE ADJUSTMENT in ADJUSTING section to set required bevel angle between 0° and 45°. Do not use the depth of cut scale when making bevel cuts due to possible inaccuracy.

6. HEX KEY STORAGE (SEE FIG. I)

The hex key provided can be placed on the base plate under the motor housing and beside the parallel guide lock knob.

7. LED LIGHT/POWER-ON INDICATOR LIGHT (SEE FIG. J)

This tool has a power-on LED light which comes on when the saw is plugged into a power source. It indicated that your tool is power on and increases visibility-great for dark or enclosed area.

8. RAFTER HOOK (SEE FIG. K)

This tool is equipped with a rafter hook which helps you for storage. Lift the rafter hook up and you can store the saw onto the wall or other place.

WORKING HINTS FOR YOUR CIRCULAR SAW

Always use a blade suited to the material and material thickness to be cut. The quality of cut will improve as the number of blade teeth increase. Always ensure the work-piece is firmly held or clamped to prevent movement. Support large panels close to the cut line. Any movement of the material may affect the quality of the cut. The blade cuts on the upward stroke and may chip the uppermost surface or edges of your work piece when cutting, ensure your uppermost surface is a non visible surface when your work is finished.

MAINTENANCE

Remove the plug from the socket before carrying out any adjustment, servicing or maintenance.


Your power tool requires no additional lubrication or maintenance. There are no user serviceable parts in your power tool. Never use water or chemical cleaners to clean your power tool. Wipe clean with a dry cloth. Always store your power tool in a dry place. Keep the motor ventilation slots clean. Keep all working controls free of dust. Occasionally you may see sparks through the ventilation slots. This is normal and will not damage your power tool. If the supply cord is damaged, it must be replaced by the manufacturer, its service agent or similarly qualified persons in order to avoid a hazard.

LISTE DES COMPOSANTS

1. BOUTON ON / OFF
2. CROCHET EN CHEVRON
3. POIGNÉE AVANT
4. PROTECTION FIXE
5. GUIDE PARALLÈLE
6. PROTECTEUR DE LAME INFÉRIEURE
7. LEVIER DE PROTECTEUR INFÉRIEUR
8. PLAQUE DE BASE
9. ADAPTATEUR À VIDE (NON FOURNIS)
10. POIGNÉE DOUCE
11. BOUTON DE VERROUILLAGE DE LA BROCHE
12. MARQUE DE COUPE, 0°
13. MARQUE DE COUPE, 45°
14. LEVIER DU VERROU DE BISEAU DE PLAQUE DE BASE
15. ÉCHELLE D'ANGLE DE LA PLAQUE DE BASE
16. PISTE EN BISEAU
17. BOUTON DE VERROUILLAGE DE GUIDE PARALLÈLE
18. CLE HEXAGONALE
19. VOYANT LED / VOYANT D'ALLUMAGE
20. ÉCHELLE DE PROFONDEUR DE COUPE
21. LEVIER DE VERROUILLAGE DE PROFONDEUR DE COUPE
22. BRIDE INTERIEURE
23. LAME DE SCIE
24. BRIDE EXTERIEURE
25. BOULON DE LAME

* Les accessoires illustrés ou décrits ne sont pas tous compris dans le cadre de la livraison standard.


SÉCURITÉ DU PRODUIT

 **AVERTISSEMENT:** Certaines des poussières produites en utilisant des outils électriques sont considérées par l'État de Californie comme susceptibles de provoquer le cancer, des anomalies congénitales et d'autres problèmes de reproduction.


Voici des exemples de ces produits chimiques:

- Plomb issu de peinture à base de plomb;
- Silice cristalline issue de briques et du ciment et autres produits de maçonnerie;
- Arsenic et chrome issus de bois traité chimiquement.

Votre risque de ces expositions varie en fonction de la fréquence à laquelle vous effectuez ce travail. Pour réduire votre exposition à ces produits chimiques : travaillez dans une zone bien ventilée; portez un équipement de sécurité approuvé, tel que des masques anti poussières spécialement conçus pour éliminer les particules microscopiques par filtrage.

 **AVERTISSEMENT:** Ce dispositif peut vous exposer aux produits chimiques notamment le plomb et le di-phthalate (de 2-éthylhexyle) (DEHP) qui sont reconnus dans l'État de Californie comme causant des cancers et des anomalies congénitales ou d'autres anomalies de la reproduction. Pour en savoir plus, veuillez consulter le site www.P65Warnings.ca.gov.

AVERTISSEMENTS GENERAUX CONCERNANT LA SECURITE DES OUTILS ELECTRIQUES

 **AVERTISSEMENT:** Lisez et assimilez toutes les instructions. Le non-respect des instructions ci-après peut entraîner un risque de choc électrique, d'incendie et/ou de blessures graves.

Conservez tous les avertissements et instructions pour pouvoir les consulter ultérieurement.

L'expression « outil électrique » dans tous les avertissements énumérés ci-dessous se réfère à votre outil électrique fonctionnant sur secteur (branché) ou à batterie (sans-fil).

1) Aire de travail

- a) Veillez à ce que l'aire de travail soit propre et bien éclairée.** Le désordre et le manque de lumière favorisent les accidents.
- b) N'utilisez pas d'outils électriques dans un milieu présentant un risque d'explosion, par exemple en présence de liquides, de gaz ou de poussières inflammables.** Les outils électriques créent des

étincelles qui pourraient enflammer les poussières ou les vapeurs.

- c) Gardez à distance les curieux, les enfants et les visiteurs lorsque vous travaillez avec un outil électrique.** Ils pourraient vous distraire et vous faire faire une fausse manoeuvre.

2) Sécurité électrique

- a) Les fiches des outils électriques doivent correspondre aux prises murales. Ne jamais modifier la fiche de quelque façon que ce soit. Ne pas utiliser de fiches d'adaptation avec des outils électriques mis à la terre (mis à la masse).** Des fiches non modifiées et des prises qui leur correspondent réduiront le risque de choc électrique.
- b) Évitez tout contact corporel avec des surfaces mises à la terre (tuyauterie, radiateurs, cuisinières, réfrigérateurs, etc.)** Le risque de choc électrique est plus grand si votre corps est en contact avec la terre.
- c) N'exposez pas les outils électriques à la pluie ou à l'eau.** La présence d'eau dans un outil électrique augmente le risque de choc électrique.
- d) Ne maltraitez pas le cordon. Ne transportez jamais l'outil par son cordon et ne débranchez jamais la fiche en tirant sur le cordon. N'exposez pas le cordon à la chaleur, à des huiles, à des arrêtes vives ou à des pièces en mouvement.** Un cordon endommagé augmente le risque de choc électrique.
- e) Lorsque vous utilisez un outil électrique à l'extérieur, utilisez un prolongateur adapté à une utilisation en extérieur.** L'utilisation d'un cordon adapté à une utilisation extérieure réduit le risque de choc électrique.
- f) Si vous devez utiliser un outil électrique dans un endroit humide, utilisez un dispositif de courant résiduel (RCD) d'alimentation protégée.** L'utilisation d'un RCD réduit le risque de choc électrique.

3) Sécurité des personnes

- a) Restez alerte, concentrez-vous sur votre travail et faites preuve de bon sens. N'utilisez pas un outil électrique si vous êtes fatigué ou sous l'influence de drogues, d'alcool ou de médicaments.** Un instant d'inattention lors de l'utilisation d'outils électriques peut entraîner des blessures graves.
- b) Utilisez des accessoires de sécurité. Portez toujours une protection oculaire.** De l'équipement de sécurité tel que le masque antipoussière, les chaussures de sécurité antidérapantes, des casques durs ou des protections antibruit utilisés dans des conditions appropriées réduiront les blessures corporelles.

c) Évitez les démarrages accidentels. Avant d'insérer la batterie dans l'outil, assurez-vous que son interrupteur est en position « OFF » (Arrêt) ou verrouillée. Le fait de transporter un outil avec le doigt sur la détente/l'interrupteur ou d'insérer la batterie dans un outil dont la détente est en position « ON » (Marche) peut causer un accident.

d) Retirer les clés de réglage avant de mettre l'outil sous tension. Une clé restée attachée à une partie mobile de l'outil pourrait entraîner des blessures corporelles.

e) Ne vous penchez pas trop en avant. Maintenez un bon appui et restez en équilibre en tout temps. Une bonne stabilité vous permet de mieux réagir à une situation inattendue.

f) Habillez-vous convenablement. Ne portez ni vêtements flottants ni bijoux. Gardez les cheveux, les vêtements et les gants éloignés des pièces en mouvement. Les vêtements flottants, les bijoux ou les cheveux longs risquent d'être happés par des pièces en mouvement.

g) Si un sac de récupération de la poussière est fourni avec un connecteur pour aspirateur, assurez-vous qu'il est correctement relié et utilisé de façon appropriée. L'utilisation de ce système réduit les dangers physiques et physiologiques liés à la poussière.

h) Ne laissez pas les habitudes acquises par une utilisation fréquente d'outils relâcher votre vigilance et ignorer les principes de sécurité des outils. Une utilisation négligente peut causer des blessures graves en une fraction de seconde.

4) Utilisation et entretien de l'outil

a) Ne forcez pas l'outil. Utilisez l'outil approprié à la tâche. L'outil approprié fonctionne mieux et de façon plus sécuritaire. Respectez aussi la vitesse de travail qui lui est propre.

b) N'utilisez pas un outil si l'interrupteur ne le met pas en marche ou ne peut l'arrêter. Un outil qui ne peut être contrôlé par l'interrupteur est dangereux et doit être réparé.

c) Débranchez la batterie de l'outil ou mettez son interrupteur en position « OFF » (Arrêt) ou « LOCKED » (Verrouillé) avant d'effectuer un réglage, de changer d'accessoire ou de ranger l'outil. De telles mesures de sécurité préventive réduisent le risque de démarrage accidentel de l'outil.

d) Rangez les outils hors de portée des enfants et d'autres personnes inexpérimentées. Les outils sont dangereux dans les mains d'utilisateurs novices.

e) Prenez soin de bien entretenir les outils. Soyez attentif à tout désalignement ou coincement des pièces en mouvement, à tout bris ou à toute autre

condition préjudiciable au bon fonctionnement de l'outil. Si vous constatez qu'un outil est endommagé, faites-le réparer avant de vous en servir. De nombreux accidents sont causés par des outils en mauvais état.

f) Les outils de coupe doivent être toujours bien affûtés et propres. Des outils bien entretenus, dont les arêtes sont bien tranchantes, sont moins susceptibles de se coincer et plus faciles à contrôler.


g) Utilisez l'outil électrique, les accessoires et les forêts etc., en conformité avec ces instructions et de la manière conçue pour le type particulier d'outil électrique, prend en compte les conditions de travail et le travail qui doit être accompli. L'emploi de l'outil électrique pour des opérations différentes de celles pour lesquelles il a été conçu pourrait entraîner une situation dangereuse.

h) Maintenez les poignées et les surfaces de prise sèches, propres et exemptes d'huile et de graisse. Des poignées et surfaces de prise glissantes ne permettent pas une manipulation et un contrôle sécurisés de l'outil dans des situations inattendues.

5) Entretien

a) Ayez votre outil électrique entretenu par un réparateur agréé n'utilisant que des pièces de rechange identiques. Cela assurera que la sécurité de l'outil électrique est maintenue.

MESURES DE SÉCURITÉ POUR TOUT TYPE DE SCIE PROCÉDURES DE COUPE

- a)  **AVERTISSEMENT:** Garder vos mains éloignées de la zone de coupe et de la lame. Gardez votre deuxième main sur la poignée auxiliaire ou le carter du moteur. Si les deux mains tiennent la scie, elles ne peuvent pas être coupées par la lame.
- b) Ne vous abaissez pas en dessous de la pièce à travailler. La protection ne vous protège pas de la lame en dessous de la pièce à travailler.
- c) Ajuster la profondeur de coupe à l'épaisseur de la pièce à travailler. Moins d'une dent de la lame devrait être visible sous la pièce de bois.
- d) Ne jamais tenir une pièce qui est entraînée d'être coupée dans les mains ou sur les genoux. Il est important de maintenir correctement la pièce à travailler pour réduire les risques d'exposition corporelle, de dérapage de la lame ou de perte de contrôle.
- e) Lors de l'exécution d'une opération au cours de laquelle l'outil de coupe peut venir en contact avec les

fils cachés ou son propre cordon, tenez l'outil par ses surfaces isolées de préhension. *Le contact avec un fil sous tension rendra les pièces métalliques exposées de l'outil sous tension et causera des chocs à l'opérateur*

- f) **Toujours utiliser un guide à refendre ou un guide à bord droit pour refendre.** *Cela améliore la précision de la coupe et réduit les risques de dérapage de la lame.*
- g) **Toujours utiliser des lames à la bonne taille et à la bonne forme de trou (diamant ou rond) s'adaptant sur l'arbre.** *Les lames qui ne conviennent pas à la scie tourneront de manière incontrôlée.*
- h) **Ne jamais utiliser de boulon ou rondelles endommagées ou incorrects.** *Les rondelles et le boulon ont été spécialement conçus pour la scie, pour une performance optimale et pour une utilisation en toute sécurité.*

MESURES DE SÉCURITÉ SUPPLÉMENTAIRES POUR TOUT TYPE DE SCIE

CAUSES ET PRÉVENTION DES EFFETS DE REBOND

L'effet de rebond est une réaction soudaine d'une lame de scie mal alignée, tordue ou grippée qui dévie la scie de la pièce de bois vers l'utilisateur.

Lorsque la lame est pincée ou grippée à l'extrémité du trait de scie, la lame se bloque et la réaction du moteur ramène très rapidement l'unité en direction de l'utilisateur.

Si la lame se tord ou s'aligne mal dans la coupe, la dent de l'extrémité arrière de la lame peut plonger dans la surface supérieure du bois et la lame peut sortir du trait de scie pour être projetée vers l'utilisateur.

L'effet de rebond est le résultat d'une mauvaise utilisation de la scie et/ou de procédures ou de conditions d'utilisation incorrectes et peut être évité en suivant les instructions ci-dessous.

- a) **Maintenir fermement la scie et positionner les bras pour résister aux forces de l'effet de rebond.** **Positionner le corps de chaque côté de la lame mais non dans le prolongement de celle-ci.** *L'effet de rebond pourrait faire sauter la scie en arrière mais ces forces peuvent être contrôlées par l'utilisateur si les mesures nécessaires sont prises.*
- b) **Lorsque la lame se grippe ou lorsque la coupe est interrompue pour quelques raisons, relâcher l'interrupteur et maintenir la scie dans la pièce de bois jusqu'à l'arrêt complet de l'outil. Ne jamais essayer de retirer la scie du travail ou de tirer la scie en arrière**

lorsque la lame est en marche ou un effet de rebond pourrait se produire. Chercher la cause du grippage de la lame et prendre les mesures correctives.

- c) **Lors du redémarrage de la scie dans la pièce de bois, centrer la scie dans la ligne de coupe et vérifier que les dents de la scie ne sont pas engagées dans la pièce.** *Si la lame de scie est grippée, elle pourrait sauter hors de la pièce de bois lors du redémarrage de la scie.*
- d) **Supporter les gros panneaux afin de réduire le risque de pincement ou de retour en arrière de la lame.** *Les gros panneaux ont tendance à fléchir sous leur propre poids. Des supports doivent être placés sous la planche de chaque côté, près de la ligne de coupe et près du bord de la planche.*
- e) **Ne pas utiliser de lames émoussées ou endommagées.** *Des lames non aiguisées ou incorrectes produisent des lignes de coupe étroites provoquant un frottement excessif, un grippage de la lame ou un effet de rebond.*
- f) **Les verrous de réglage de la profondeur de la lame et de l'angle de chan freinage doivent être fixés fermement et en toute sécurité avant d'effectuer la coupe.** *Si les leviers de serrage de la lame se desserraient pendant la coupe, cela pourrait provoquer le grippage de la lame ou un effet de rebond.*
- g) **Être davantage prudent lors de la sciage sur des murs existants ou sur d'autres surfaces opaques.** *Si la saillie de lame entre en contact avec d'autres objets en arrière de la surface ceci pourrait provoquer un rebond de la scie.*

INSTRUCTIONS DE SÉCURITÉ DE TRAVAIL AVEC VOTRE SCIE CIRCULAIRE - EN UTILISANT LE GARDE INTERNE DE MOUVEMENT PENDULAIRE

FONCTION DE GARDE INFÉRIEURE

- a) **Avant chaque utilisation, vérifiez que le protecteur soit bien refermé. Ne pas mettre la scie en marche si le protecteur ne bouge pas librement et ne se ferme pas instantanément. Ne jamais bloquer ou attacher le protecteur en position ouverte.** *Si la scie est accidentellement échappée, le protecteur peut se tordre. Assurez-vous qu'il bouge librement et ne touche pas la lame ni aucune autre partie, dans tous les angles et profondeurs de coupe.*
- b) **Vérifier le bon fonctionnement du ressort du protecteur inférieur. Si le protecteur et le ressort ne fonctionnent pas correctement, ils doivent être réparés avant toute utilisation.** *Le protecteur*

inférieur peut fonctionner lentement à cause de parties endommagées, de dépôts gommeux ou d'un amoncellement de débris.

- c) **Assurez-vous que le socle de la scie ne se déplace pas pendant que vous procédez à une « coupe en plongée », surtout si les lames à biseau ne sont pas configurées à un angle de 90°.** Dans le cas contraire, les déplacements latéraux de la lame entraîneront des fixations ou de possibles reculs.
- d) **Toujours s'assurer que le protecteur inférieur recouvre la lame avant de poser la scie sur l'établi ou sur le sol.** Une lame à nue, non protégée qui n'a pas fini de tourner fera reculer la scie qui tranchera tout ce qui se trouve sur son passage. Prendre en compte le temps nécessaire à la lame pour s'arrêter après que l'interrupteur ait été relâché.

RÈGLES DE SÉCURITÉ SUPPLÉMENTAIRES - POUR LES SCIES CIRCULAIRES

1. Utilisez uniquement des lames recommandées dans les spécifications
2. Ne pas utiliser de meules.
3. Utiliser uniquement des lames dont le diamètre correspond aux marques.
4. Assurez-vous de sélectionner la lame appropriée à utiliser pour le type matériau à découper
5. Utilisez uniquement des lames de scie spécifiées pour une vitesse égale ou supérieure à la vitesse indiquée sur l'outil.

SYMBOLES



Afin de réduire les risques de blessure, l'utilisateur doit lire ce mode d'emploi.



Avertissement



Portez un protecteur oculaire



Portez une protection auditive



Portez un masque anti poussières



Double isolation




Verrouiller



Déverrouiller

DONNÉES TECHNIQUES

Type DX56U (56 - Désignation de la machine, correspondant à la scie)

Tension		120V~60Hz
Vitesse nominale		6000 /min
Puissance nominale		15A
Diamètre de lame		7-1/4" (185mm)
Profondeur maximale de coup	90°	2-9/16"(65mm)
	45°	1-3/4"(45mm)
Angle de chanfrein		0°-56°
Chargeur classe de protection		 /II
Poids		9.49 lbs (4.3 kg)

ACCESSOIRES

Guide parallèle		1
Clé hexagonale		1
Lame (7-1/4" *24T)		1
Crochet en chevron		1

Nous vous recommandons d'acheter tous vos accessoires du même magasin qui vous a vendu l'outil. Pour de plus amples renseignements, consultez l'emballage de l'accessoire. Le personnel du magasin peut également vous conseiller.

FR

INSTRUCTIONS D'UTILISATION



REMARQUE: Avant d'utiliser cet outil, assurez-vous de lire attentivement le manuel d'utilisation.

UTILISATION PRÉVUE

La machine est destinée à la coupe longitudinale et transversale de bois avec des lignes de coupe droites ainsi que des angles de biseau à 56 ° tout en reposant fermement sur la pièce à travailler.

ASSEMBLAGE

1. MONTAGE DE LA LAME DE SCIE (VOIR FIG. A1-A2)



AVERTISSEMENT:

- Avant tout travail sur la machine, débranchez la prise secteur.
- Portez des gants de protection lors du montage de la lame de scie. Risque de blessure en touchant la lame de scie.
- N'utilisez que des lames de scie correspondant aux caractéristiques indiquées dans le mode d'emploi.
- N'utilisez en aucun cas des disques de meulage comme outil de coupe.

REMARQUE: Pour changer la lame de scie, il est préférable de placer la machine sur le côté du front de l'emplacement du moteur.

- Retrait

Appuyez sur le bouton de verrouillage de broche et gardez-le déprimé. Le bouton de verrouillage de la broche ne peut être actionné que lorsque la lame de scie est à l'arrêt.

Desserrez le boulon de lame dans le sens antihoraire avec la clé hexagonale. Retirez la bride extérieure. Inclinez le protège-lame inférieur vers l'arrière et maintenez-le fermement avec le levier du protège-lame inférieur. Retrait de la lame de scie :

- Montage

Nettoyez la lame de scie et toutes les pièces de serrage à assembler.

Inclinez le protège-lame inférieur vers l'arrière et maintenez-le fermement avec le levier du protège-lame inférieur. Placez la lame de scie sur la bride intérieure. Assemblez la bride extérieure et le boulon de lame sur la lame de scie.

Appuyez sur le bouton de verrouillage de la broche et maintenez-le enfoncé, puis serrez fermement le boulon de la lame dans le sens des aiguilles d'une montre à l'aide de la clé hexagonale.



AVERTISSEMENT:

- Veillez à ce que les positions de montage de la bride intérieure et de la bride extérieure soient correctes.

- Lors du montage : Assurez-vous que le sens de coupe des dents (sens de la flèche sur la lame de scie) et le sens de rotation de la flèche du protège-lame correspondent.
- Les dents de la lame sont très coupantes. pour de meilleurs résultats de coupe, assurez-vous d'utiliser une lame de scie adaptée au matériau et à la qualité de coupe dont vous avez besoin.

2. ADAPTATEUR À VIDE (NON FOURNIS) (VOIR FIG. B)

Fixez l'adaptateur d'aspirateur sur la sortie d'aspiration jusqu'à ce qu'il s'enclenche. Fixez en outre l'adaptateur à vide à la protection fixe à l'aide des deux vis. Raccordez directement un tuyau à vide approprié à l'adaptateur.

REMARQUE: L'adaptateur d'aspirateur ne doit pas être monté lorsqu'aucune aspiration externe n'est raccordée. Sinon, le système d'extraction risque de se boucher. Nettoyez régulièrement l'adaptateur d'aspirateur pour assurer une aspiration optimale de la poussière. L'aspirateur doit être adapté au matériau à travailler.

AJUSTEMENT

1. RÉGLER LA PROFONDEUR DE COUPE (VOIR FIG. C1-C3)

Tournez le levier de verrouillage de la profondeur de coupe dans le sens inverse des aiguilles d'une montre pour le desserrer et soulevez le corps de la scie loin de la plaque de base. Réglez la profondeur de coupe requise en alignant le symbole du triangle (a) sur l'échelle de profondeur de coupe indiquée à l'arrière de la protection fixe. Tournez le levier de verrouillage de la profondeur de coupe dans le sens horaire pour verrouiller la profondeur de coupe.

Lorsqu'elles sont correctement réglées, les dents de la lame ne doivent pas dépasser de plus de 3/25" (3 mm) sous la pièce.

REMARQUE: Il est préférable d'effectuer une coupe de test avant de couper votre pièce.

2. RÉGLAGE DE L'ANGLE DE LA PLAQUE DE BASE (VOIR FIG. D1-D4)

Tournez le levier de verrouillage de biseau de la plaque de base dans le sens inverse des aiguilles d'une montre pour desserrer et inclinez la machine loin de la plaque de base. Réglez l'angle de biseau requis en alignant le symbole du triangle (b) sur l'échelle d'angle de la plaque de base.

Serrez le levier de verrouillage de biseau de la plaque de base en le tournant dans le sens des aiguilles d'une montre.



AVERTISSEMENT: N'utilisez pas la profondeur de l'échelle de coupe lorsque vous effectuez des coupes de biseau en raison d'une inexactitude possible.

OPÉRATION

1. ZONES DE PRÉHENSION (VOIR FIG. E)

Tenez toujours votre scie fermement avec les deux mains lorsque vous l'utilisez.

2. MISE EN MARCHÉ OU ARRÊT (VOIR FIG. F)

Appuyez sur l'interrupteur marche / arrêt. Votre interrupteur est maintenant activé. Pour éteindre, relâchez simplement l'interrupteur marche / arrêt. Votre scie est équipée d'un frein électrique automatique conçu pour empêcher la lame de ralentir en trois secondes environ, après avoir relâché la gâchette. Il est utile lors de certaines coupes de bois où une lame de roue libre entraînerait une coupe large et imprécise.



AVERTISSEMENT: Attendez que la machine s'arrête complètement avant de procéder au repos.

3. RÉGLAGE DU GUIDE PARALLÈLE (VOIR FIG. G1, G2)

Il est utilisé pour effectuer des coupes parallèles à un bord de pièce à une distance choisie. Tournez d'abord le bouton de verrouillage du guide parallèle dans le sens inverse des aiguilles d'une montre pour le desserrer, puis faites glisser le bras de guide parallèle à travers le support pour atteindre la distance de coupe requise, puis serrez le bouton de verrouillage en le tournant dans le sens des aiguilles d'une montre pour serrer fermement le guide parallèle.

REMARQUE: Il est préférable d'effectuer une coupe de test avant de couper votre pièce.

4. GUIDE DE COUPE (VOIR FIG. H1, H2)

Il y a une encoche de guide de coupe à l'avant de la plaque de base permettant une utilisation avec le guide parallèle. Pour les coupes droites, utilisez le repère de guidage 0° pour vous aligner avec votre échelle de guidage parallèle. Pour une coupe en biseau à 45°, utilisez la marque de guidage à 45° pour vous aligner avec votre échelle de guidage parallèle. Serrez fermement le guide parallèle. Faites toujours une coupe de test pour vérifier le réglage.

5. OUPES EN BISEAU

Suivez les instructions de RÉGLAGE DE L'ANGLE DE LA PLAQUE DE BASE dans la section RÉGLAGE pour régler l'angle de biseau requis entre 0° et 45°. N'utilisez pas la profondeur de l'échelle de coupe lorsque vous effectuez des coupes de biseau en raison d'une inexactitude possible.

6. RANGEMENT DES CLÉS HEXAGONALES (VOIR FIG. I)

La clé hexagonale fournie peut être placée sur la plaque de base sous le boîtier du moteur et à côté du bouton de verrouillage du guide parallèle.

7. VOYANT LED / VOYANT D'ALLUMAGE (VOIR FIG. J)

Cet outil possède une lumière LED de mise sous tension qui s'allume lorsque la scie est branchée sur une source d'alimentation. Cela indique que votre outil est sous tension et augmente la visibilité, idéal pour les zones sombres ou fermées.

8. CROCHET DU CHEVRON (VOIR FIG. K)

Cet outil est équipé d'un crochet en chevron qui vous aide pour le stockage. Soulevez le crochet du chevron et vous pouvez stocker la scie sur le mur ou tout autre endroit.

CONSEILS DE TRAVAIL POUR VOTRE SCIE CIRCULAIRE

Utilisez toujours une lame adaptée au matériau et à l'épaisseur du matériau à couper. La qualité de coupe s'améliorera à mesure que le nombre de dents de lame augmentera. Assurez-vous toujours que la pièce à travailler est fermement maintenue ou serrée pour empêcher tout mouvement. Soutenez les grands panneaux près de la ligne de coupe. Tout mouvement du matériau peut affecter la qualité de la coupe. La lame coupe sur la course ascendante et peut ébrécher la surface supérieure ou les bords de votre pièce lors de la coupe, assurez-vous que votre surface supérieure est une surface non - visible lorsque votre travail est terminé.

FR

ENTRETIEN

Retirez la prise de la prise murale avant d'effectuer n'importe quel travail de réglage, de réparation ou d'entretien.

Votre outil électrique ne nécessite aucune lubrification ou entretien additionnels. L'outil ne comporte aucune pièce susceptible d'être remplacée par l'utilisateur lui-même. N'utilisez jamais d'eau ou de produits chimiques pour nettoyer votre outil électrique. Nettoyez à l'aide d'un chiffon sec. Rangez toujours votre outil électrique dans un endroit sec. Veillez à ce que les événements moteur soient propres en permanence. Maintenez tous les dispositifs de contrôle exempts de poussières. Il est possible que l'outil produise occasionnellement des étincelles pouvant être vues à travers les événements moteur. Ceci est tout à fait normal et n'endommagera pas l'outil.


Si le cordon électrique est endommagé, il doit être remplacé par le fabricant, son réparateur agréé ou une personne aux qualifications similaires afin d'éviter tout risque.

LISTA DE COMPONENTES

1. INTERRUPTOR ENCENDIDO / APAGADO
2. GANCHO DE VIGA
3. MANGO DELANTERO
4. RESGUARDO FIJO
5. GUÍA PARALELA
6. PROTECTOR DE CUCHILLA INFERIOR
7. REDUCIR LA PROTECCIÓN
8. PLACA BASE
9. ADAPTADOR AL VACÍO (NO SUMINISTRADOS)
10. MANGO DE AGARRE SUAVE
11. BOTÓN DE BLOQUEO DEL HUSILLO
12. MARCA DE CORTE - 0°
13. MARCA DE CORTE - 45°
14. PALANCA DE BLOQUEO DEL BISEL DE LA PLACA BASE
15. PLACA BASE DE LA ESCALA ANGULAR
16. PISTA DE BISEL
17. MANDO DE BLOQUEO DE LA GUÍA PARALELA
18. LLAVE HEXAGONAL
19. LUZ LED / LUZ INDICADORA DE ENCENDIDO
20. AJUSTE DE LA PROFUNDIDAD DEL CORTE
21. PALANCA DE BLOQUEO DE PROFUNDIDAD DEL CORTE
22. BRIDA INTERIOR
23. HOJA DE LA SIERRA
24. BRIDA EXTERIOR
25. PERNO DE LA CUCHILLA


* No todos los accesorios ilustrados o descritos se incluyen junto con el producto estándar.

SEGURIDAD DEL PRODUCTO


 **ADVERTENCIA:** El polvo originado por la utilización de herramientas motorizadas contiene químicos que, según el Estado de California, causan cáncer, defectos congénitos y otros daños reproductivos. Algunos ejemplos de esos productos químicos son:

- El plomo de las pinturas a base de plomo;
- La sílice cristalina de los ladrillos, del cemento y de otros productos de albañilería;
- El arsénico y el cromo de la madera tratada químicamente.

El riesgo que se corre a causa del contacto con esos productos varía según la frecuencia con que usted realice este tipo de trabajos. Con el fin de reducir su exposición a esas substancias químicas: trabaje en un área bien ventilada; utilice un equipo de seguridad adecuado, tal como una máscara contra el polvo especialmente diseñada para filtrar partículas microscópicas.

 **ADVERTENCIA:** Este producto puede exponerlo a sustancias químicas, como plomo y di (2-etilhexilo) ftalato (DEHP), que el estado de California reconoce como causantes de cáncer y defectos de nacimiento u otros daños reproductivos. Para más información visite www.P65Warnings.ca.gov.

ADVERTENCIAS DE SEGURIDAD GENERALES PARA LA HERRAMIENTA MOTORIZADA

 **ADVERTENCIA!** Lea y comprenda todas las instrucciones. El no seguir todas las instrucciones a continuación puede ocasionar descargas eléctricas, incendios y/o heridas graves.

Conserve todas las advertencias e instrucciones para consulta futura.

El término "herramienta eléctrica" que figura en todas las advertencias que aparecen a continuación hace referencia a la herramienta que funciona con la red de suministro eléctrico (con cable) o a la herramienta eléctrica accionada a baterías (sin cable).

1) Área de trabajo

- a) Mantenga su lugar de trabajo limpio y bien iluminado. Bancos de trabajo desordenados y lugares oscuros invitan a los accidentes.
- b) No utilice herramientas eléctricas en atmósferas explosivas, como por ejemplo en presencia de líquidos, inflamables, gases o polvo. Las

herramientas eléctricas crean chispas que pueden encender el polvo o los vapores.

- c) Mantenga a los espectadores, niños y visitantes a una distancia prudente cuando esté utilizando una herramienta eléctrica. Las distracciones pueden hacerle perder el control.

2) Seguridad eléctrica

- a) Los enchufes de las herramientas eléctricas deben coincidir con el tomacorriente. No modifique de algún modo el enchufe. No utilice enchufes adaptadores con herramientas eléctricas conectadas a tierra. Si no se modifican los enchufes y se utilizan los tomacorrientes adecuados, se reducirá el riesgo de una descarga eléctrica.
- b) Evite el contacto del cuerpo con las superficies conectadas a tierra tales como tuberías, radiadores, estufas de cocina y refrigeradores. Existe mayor riesgo de que se produzcan descargas eléctricas si su cuerpo está conectado a tierra.
- c) No esponga las herramientas eléctricas a la lluvia ni a los ambientes húmedos. La entrada de agua en una herramienta eléctrica aumenta el riesgo de que se produzcan descargas eléctricas.
- d) No abuse del cable. Nunca use el cable para transportar las herramientas ni para sacar el enchufe de un tomacorriente. Mantenga el cable alejado del calor, el aceite, los bordes afilados o las piezas móviles. Los cables dañados aumentan el riesgo de que se produzcan descargas eléctricas.
- e) Cuando opere una herramienta eléctrica en exteriores, use un cable de extensión adecuado para uso en exteriores. El uso de un cable adecuado para uso en exteriores reduce el riesgo de descargas eléctricas.
- f) Si operar una herramienta eléctrica en un lugar húmedo es inevitable, use un elemento protegido del dispositivo de corriente residual (RCD). El uso de un RCD reduce el riesgo de descargas eléctricas.

3) Seguridad personal


- a) Manténgase alerta, fíjese en lo que está haciendo y use el sentido común cuando utilice una herramienta eléctrica. No use la herramienta cuando esté cansado o se encuentre bajo la influencia de drogas, alcohol o medicamentos. Un momento de distracción al utilizar herramientas eléctricas puede dar lugar a lesiones personales graves.
- b) Utilice equipo de seguridad. Use siempre protección ocular. La utilización del equipo de seguridad como máscara antipolvo, zapatos de seguridad antideslizantes, casco o protección auditiva para condiciones adecuadas reducirá el

riego de lesiones personales.

- c) **Evite el arranque accidental. Asegúrese de que el interruptor esté en la posición de trabado o de apagado antes de instalar el paquete de baterías.** *Transportar herramientas con el dedo en el interruptor o instalar el paquete de batería cuando el interruptor está encendido invitan a los accidentes.*
 - d) **Retire las llaves o claves de ajuste antes de encender la herramienta.** *Una llave o clave de ajuste dejada en una parte giratoria de la herramienta puede causar una lesión personal.*
 - e) **No intente alcanzar demasiado lejos. Mantenga un apoyo de los pies y un equilibrio adecuados en todo momento.** *El apoyo de los pies y el equilibrio adecuados permiten un mejor control de la herramienta en situaciones inesperadas.*
 - f) **Vístase apropiadamente. No se ponga ropa holgada ni joyas. Mantenga su cabello, ropa y guantes alejados de las piezas móviles.** *La ropa holgada, las joyas o el pelo largo pueden quedar atrapados en las piezas móviles.*
 - g) **Si se proporcionan dispositivos para la extracción y recolección de polvo, asegúrese que estos estén conectados y utilizados correctamente.** *El uso de estos dispositivos puede reducir peligros relacionados con el polvo.*
 - h) **No permita que la familiaridad obtenida a partir del uso frecuente de otras herramientas le permita volverse complaciente e ignorar los principios de seguridad de la herramienta.** *Una acción descuidada puede causar lesiones severas en una fracción de segundo.*
- 4) **Uso y cuidado de la herramienta**
- a) **No fuerce la herramienta. Emplee la herramienta correcta para la aplicación que desea.** *La herramienta correcta hará el trabajo mejor y con más seguridad a la capacidad nominal para la que está diseñada.*
 - b) **No utilice la herramienta si el interruptor no la enciende o apaga.** *Toda herramienta que no se pueda controlar con el interruptor es peligrosa y debe ser reparada.*
 - c) **Desconecte la batería de la herramienta o ponga el interruptor en la posición de trabado o de apagado antes de hacer cualquier ajuste, cambio de accesorios o guardar la herramienta.** *Estas medidas de seguridad preventivas reducen el riesgo de encender la herramienta accidentalmente.*
 - d) **Guarde las herramientas que no esté usando fuera del alcance de los niños y otras personas no capacitadas.** *Las herramientas son peligrosas en las manos de los usuarios no capacitados.*

- e) **Mantenga las herramientas con cuidado.** *Compruebe la desalineación o el atasco de las piezas móviles, la ruptura de piezas y cualquier otra situación que pueda afectar el funcionamiento de las herramientas. Si la herramienta está dañada, hágala arreglar antes de usarla. Muchos accidentes son causados por herramientas mantenidas deficientemente.*
 - f) **Conserve las herramientas de corte afiladas y limpias.** *Las herramientas mantenidas adecuadamente, con bordes de corte afilados, tienen menos probabilidades de atascarse y son más fáciles de controlar.*
 - g) **Utilice la herramienta eléctrica, accesorios, brocas de la herramienta, etc. de acuerdo con estas instrucciones y de la manera adecuada para el tipo de herramienta eléctrica, teniendo en cuenta las condiciones de trabajo y el trabajo que se realizará.** *La utilización de la herramienta eléctrica para operaciones diferentes de aquellas para las que se encuentra diseñada podría dar lugar a una situación peligrosa.*
 - h) **Mantenga las manijas y las superficies de sujeción secas, limpias y libres de aceite y grasa.** *Las manijas y superficies de sujeción resbaladizas no permiten el manejo y control seguros de la herramienta en situaciones inesperadas.*
- 5) **Reparación**
- a) **La herramienta debe ser reparada por una persona calificada de servicio técnico y se deben utilizar partes de reemplazo idénticas.** *Esto asegurará el mantenimiento de la seguridad de la herramienta eléctrica.*

INSTRUCCIONES DE SEGURIDAD PARA TODAS LAS SIERRAS PROCEDIMIENTOS DE CORTE

- a)  **ADVERTENCIA:** Mantenga las manos alejadas del área de corte y la cuchilla. Mantenga la segunda mano en el mango auxiliar o en la caja del motor. Si utiliza ambas manos para sostener la sierra, no podrá cortar con la cuchilla.
- b) **No utilice la herramienta sobre la pieza de trabajo por la parte inferior.** *La protección no le protegerá de la cuchilla bajo la pieza de trabajo.*
- c) **Ajuste la profundidad de corte al grosor de la pieza de trabajo.** *Menos de un diente completo de la hoja debe ser visible por debajo de la pieza de trabajo.*
- d) **Nunca sostenga la pieza a cortar en sus manos o sobre su pierna.** *Asegure la pieza de trabajo sobre*

una plataforma estable. *Es importante apoyar correctamente la pieza de trabajo para reducir al mínimo la exposición del cuerpo, el atascamiento de la hoja o la pérdida de control.*

- e) **Sujete la herramienta por las superficies de agarre aisladas cuando realice una operación en la que la herramienta de corte pueda entrar en contacto con cables ocultos o con su propio cable.** *El contacto con un cable que tenga corriente hará que ésta pase a las partes metálicas descubiertas de la herramienta y que el operador reciba descargas eléctricas.*
- f) **Cuando haga cortes longitudinales siempre use una guía de corte o guía de borde recto.** *Esto mejora la exactitud del corte y reduce el riesgo de atascamiento de la hoja.*
- g) **Siempre utilice hojas con orificios de eje del tamaño y forma correctos (diamante contra redondo).** *Las hojas que no se corresponden con los dispositivos de la caja, funcionarán de modo excéntrico, causando pérdida de control.*
- h) **Nunca emplee tornillos o arandelas de hoja incorrectos o dañados.** *Las arandelas y los tornillos de la hoja fueron diseñados especialmente para su sierra, para funcionamiento y seguridad óptimos de la operación.*

MÁS INSTRUCCIONES DE SEGURIDAD PARA TODAS LAS SIERRAS CAUSAS Y PREVENCIÓN DEL OPERADOR CONTRA EL CONTRAGOLPE

El contragolpe es una reacción repentina a hojas de sierra pellizcadas, atascadas o mal alineadas, causando que una sierra sin control salte por encima de la pieza de trabajo hacia el operador;

Cuando la hoja es pellizcada o atascada firmemente por la muesca, se atora y la reacción del motor conduce la unidad rápidamente hacia el operador;

Si la hoja se tuerce o está mal alineada durante el corte, los dientes del extremo trasero pueden incrustarse en la superficie superior de la madera haciéndola saltar de la muesca y proyectarse hacia el operador.

El contragolpe es el resultado del uso incorrecto de la sierra y/o de procedimientos o condiciones de funcionamiento incorrectos y puede ser evitado tomando precauciones apropiadas según se describe a continuación.

- a) **Mantenga una empuñadura firme sobre la sierra y coloque sus brazos para resistir las fuerzas del**

contragolpe. Coloque su cuerpo a cualquier lado de la hoja, pero no alineado con la hoja. *El contragolpe podría hacer que la sierra salte al revés, pero las fuerzas del contragolpe pueden ser controladas por el operador si se toman las precauciones apropiadas.*

- b) **Cuando la hoja se atasca o cuando se interrumpe un corte por cualquier razón, suelte el gatillo y sostenga la sierra en el material sin moverla hasta que la hoja se haya detenido completamente. Nunca trate de sacar la sierra de la pieza de trabajo o tire de la sierra al revés mientras la hoja esté en movimiento, ya que podría ocurrir un contragolpe.** *Investigue y tome acciones correctivas para eliminar la causa del atascamiento de la hoja.*
- c) **Al reiniciar el trabajo sobre la pieza correspondiente, centre la hoja de sierra en la muesca y compruebe que los dientes de la sierra no estén incrustados en el material.** *Si la hoja de sierra está atascada, cuando se enciende nuevamente la sierra puede saltar o producir un contragolpe desde la pieza de trabajo.*
- d) **Fije paneles grandes para reducir al mínimo el riesgo de que la hoja pellizque o provoque un contragolpe.** *Los paneles grandes tienden a ceder bajo su propio peso. Los soportes deben ser colocados debajo del panel a ambos lados, cerca de la línea de corte y del borde del panel.*
- e) **No utilice hojas desafiladas o dañadas.** *Las hojas con dientes desafilados o colocados incorrectamente producen una muesca estrecha causando fricción excesiva, atascamiento de la hoja y contragolpe.*
- f) **Las palancas de traba de profundidad y de inclinación de la hoja deben estar ajustadas y aseguradas antes de efectuar un corte.** *Si el ajuste de la hoja cambia durante el corte, puede causar atascamiento y contragolpe.*
- g) **Tenga cuidado adicional al hacer cortes mediante paredes y otros lugares ciegos.** *La hoja que sobresale puede cortar objetos capaces de causar un contragolpe.*

INSTRUCCIONES DE SEGURIDAD PARA SU SIERRA CIRCULAR

FUNCIÓN DE LA GUARDA INFERIOR

- a) **Verifique que la cubierta de seguridad cierre correctamente antes de cada uso. No accione la sierra si la cubierta de seguridad no se mueve libremente ni se cierra inmediatamente. Nunca ate o fije con abrazaderas la cubierta en la posición abierta.** *Si la sierra se cae accidentalmente, la cubierta puede doblarse. Cerciórese de que se mueva libremente y que no toque la hoja u otras partes en*

todos los ángulos y profundidades de corte.

- b) **Compruebe el funcionamiento del resorte de la cubierta. Si la cubierta y el resorte no están funcionando correctamente, deben ser reparados antes del uso. La cubierta puede funcionar lentamente debido a piezas dañadas, depósitos gomosos o acumulación de desechos.**
- c) **Asegúrese que la placa base de la sierra no cambie mientras realiza el "corte de rectificación" cuando el ajuste del bisel de la hoja no esté a 90°. El movimiento a los lados de la hoja causará adhesión y probablemente retroceso.**
- d) **Siempre verifique que la cubierta esté cubriendo la hoja antes de colocar la sierra sobre el banco o el piso. Una hoja desprotegida o que resbala hará que la sierra vaya al revés, cortando lo que esté en su trayectoria. Tome nota del tiempo que tarda la hoja en detenerse una vez que suelte el gatillo.**

REGLAS DE SEGURIDAD ADICIONALES - PARA SIERRAS CIRCULARES

1. Sólo use cuchillas de sierra recomendadas en la especificación.
2. No utilice ningún tipo de ruedas abrasivas.
3. Utilice sólo el diámetro(s) de hoja según las indicaciones.
4. Identifique la cuchilla de sierra correcta a utilizarse para el material a cortar.
5. Sólo use cuchillas de sierra que estén marcadas con una velocidad igual o mayor a la velocidad marcada en la herramienta.

SÍMBOLOS



Para reducir el riesgo de lesiones, el usuario deberá leer el manual de instrucciones



Advertencia



Use lentes de seguridad



Use protección auditiva



Use máscara contra el polvo



Doble aislamiento



Bloqueo



Desbloqueo

DATOS TÉCNICOS

Tipo DX56U (56 - Designación de maquinaria, representante de Sierra)

Voltaje		120V~60Hz
Velocidad nominal		6000 /min
Potencia nominal		15A
Diámetro de la hoja		7-1/4" (185mm)
Capacidad de corte	90°	2-9/16"(65mm)
	45°	1-3/4"(45mm)
Capacidad de biselado		0°-56°
Cargador clase de protección		□/II
Peso de la máquina		9.49 lbs (4.3 kg)

ACCESORIOS

Guía paralela		1
Llave hexagonal		1
Cuchilla (7-1/4" *24T)		1
Gancho de viga		1

Le recomendamos que compre sus accesorios en la misma tienda que le vendió la herramienta. Consulte el empaque de los accesorios para obtener más detalles. El personal de la tienda también puede ayudarle y aconsejarle.

ES

INSTRUCCIONES DE USO



NOTA: Antes de usar la herramienta, lea atentamente el manual de instrucciones.

POSIBLE USO

La máquina está diseñada para el corte longitudinal y transversal de madera con líneas de corte rectas, así como ángulos de bisel de 56°, mientras reposa firmemente sobre la pieza de trabajo.

ENSAMBLAJE

1. CAMBIO DE LA HOJA DE SIERRA (VER FIG. A1-A2)



ADVERTENCIA:

- Antes de realizar cualquier trabajo en la máquina, desenchufe el cable de alimentación.
- Use guantes protectores cuando monte la hoja de la sierra. Peligro de lesiones al tocar la hoja de sierra.
- Utilice únicamente hojas de sierra que correspondan con los datos característicos que figuran en las instrucciones de funcionamiento.
- No utilice discos abrasivos como herramienta de corte bajo ninguna circunstancia.

NOTA: Para cambiar la hoja de la sierra, es mejor colocar la máquina en el lado frontal de la carcasa del motor.

- Para eliminar:

Presione el botón de bloqueo del eje y manténgalo presionado. El botón de bloqueo del husillo se puede accionar solo cuando la hoja de la sierra esté parada. Afloje el perno de la cuchilla en el sentido contrario a las agujas del reloj con la llave hexagonal. Retire la brida exterior. Inclíne hacia atrás el protector de la cuchilla inferior y sosténgalo firmemente con la palanca del protector inferior. Retire la hoja de sierra.

- Montaje

Limpie la hoja de la sierra y todas las piezas de sujeción que se ensamblarán.

Inclíne hacia atrás el protector de la cuchilla inferior y sosténgalo firmemente con la palanca del protector inferior. Coloque la hoja de sierra en la brida interior. Ensamble la brida exterior y el perno de la hoja en la hoja de la sierra.

Mantenga presionado el botón de bloqueo del eje y use la llave hexagonal para apretar firmemente el perno de la cuchilla en el mismo sentido de las agujas del reloj.



ADVERTENCIA:

- Tenga cuidado de que las posiciones de montaje de la brida interior y la brida exterior sean correctas.
- A la hora de ensamblar: Asegúrese de que la dirección de corte de los dientes (dirección de la flecha en la hoja de sierra) y la flecha de dirección de rotación en el protector de la hoja coincidan.

- Los dientes de la cuchilla son muy afilados. para obtener los mejores resultados de corte, asegúrese de utilizar una hoja de sierra adecuada para el material y la calidad de corte que necesita.

2. ADAPTADOR AL VACIO (NO SUMINISTRADOS) (VER FIG. B)

Sujete el adaptador del vacío en la salida de extracción de polvo en el mismo sentido que las agujas del reloj hasta que se traben. Además, fije el adaptador del vacío al protector fijo con los dos tornillos. Conecte directamente una manguera de vacío adecuada al adaptador.

NOTA: El adaptador del vacío no debe montarse cuando no haya una extracción de polvo externa conectada. De lo contrario, existe el peligro de que el sistema de extracción se obstruya.

Limpie el adaptador del vacío regularmente para garantizar una extracción de polvo óptima. La aspiradora debe ser adecuada para el material del cual se está trabajando.

AJUSTANDO

1. AJUSTE LA PROFUNDIDAD DEL CORTE (VER FIG. C1-C3)

Gire la palanca de bloqueo de profundidad del corte en el sentido contrario a las agujas del reloj para aflojarlo, y levante el cuerpo de la sierra lejos de la placa base. Establezca la profundidad de corte requerida alineando el símbolo del triángulo (a) con la escala de profundidad de corte marcada en la parte posterior de la protección fija. Gire la palanca de bloqueo de la profundidad de corte en el mismo sentido que las agujas del reloj para bloquear la profundidad del corte.

Cuando se ha ajustado correctamente, los dientes de la cuchilla no deberían de sobresalir más de 3/25" (3 mm) por debajo de la pieza de trabajo.

NOTA: Lo mejor es realizar un corte de prueba.

2. AJUSTE DEL ÁNGULO DE LA PLACA BASE (VER FIG. D1-D4)

Gire la palanca de bloqueo del bisel de la placa base en sentido contrario a las agujas del reloj para aflojarlo e inclíne la máquina lejos de la placa base. Establezca el ángulo de bisel requerido alineando el símbolo del triángulo (b) con la escala del ángulo de la placa base. Apriete la palanca de bloqueo del bisel de la placa base girándola en el mismo sentido de las agujas del reloj.



ADVERTENCIA: No utilice la escala de profundidad de corte cuando realice cortes en bisel debido a posibles imprecisiones.

OPERACIÓN

1. POSICIÓN ON DE AGARRE DE LA MANO (VER FIG. E)

Siempre sostenga su sierra firmemente con ambas manos cuando la opere.

2. ENCENDIDO Y APAGADO (VER FIG. F)

Presione el interruptor de encendido / apagado. Su interruptor está ahora encendido. Para apagar la herramienta, simplemente presione y suelte el interruptor de encendido/apagado.

Su sierra tiene un freno eléctrico automático que está diseñado para evitar que la cuchilla se mueva por inercia en aproximadamente tres segundos, después de soltar el interruptor de gatillo.

Es útil cuando se hacen ciertos cortes en madera donde una cuchilla de inercia resultaría en un corte ancho e impreciso.



ADVERTENCIA: Espere hasta que la máquina se detenga por completo antes de dejarla.

3. AJUSTE DE LA GUÍA EN PARALELO (VER FIG. G1, G2)

La guía paralela se utiliza para realizar cortes paralelos en el borde de la pieza de trabajo a una distancia elegida. Primero gire la perilla de bloqueo de la guía paralela en el sentido contrario a las agujas del reloj para aflojarla, luego deslice el brazo de la guía paralela a través del dispositivo para alcanzar la distancia de corte requerida, apriete la perilla de bloqueo girándola en el mismo sentido que las agujas del reloj para sujetarla firmemente.

NOTA: Lo mejor es realizar un corte de prueba.

4. GUÍA DE CORTE (VER FIG. H1, H2)

Hay una muesca de la guía de corte en la parte frontal de la placa base para usarse con la guía paralela. Para cortes rectos, use la marca de guía de 0° para alinearse con su escala de guía paralela. Para un corte en bisel de 45°, use la marca de guía de 45° para alinearse con su escala de guía paralela. Sujete firmemente la guía paralela. Siempre haga un corte de prueba para verificar la configuración.

5. CORTES DE BISEL

Siga las instrucciones en AJUSTE DEL ÁNGULO DE LA PLACA BASE en la sección AJUSTES para establecer el ángulo de bisel requerido entre 0° y 45°. No utilice la escala de profundidad de corte cuando realice cortes en bisel debido a posibles imprecisiones.

6. ALMACENAMIENTO DE LA LLAVE HEXAGONAL (VER FIG. I)

La llave hexagonal proporcionada se puede colocar en la placa base debajo de la carcasa del motor y al lado de la perilla de bloqueo de la guía paralela.

7. LUZ LED / LUZ INDICADORA DE ENCENDIDO (VER FIG. J)

Esta herramienta tiene una luz LED de encendido que se enciende cuando la sierra se enchufa a una fuente de

alimentación. Indica que su herramienta está encendida y aumenta la visibilidad, ideal para áreas oscuras o cerradas.

8. Gancho de la viga (VER FIG. K)

Esta herramienta está equipada con un gancho de viga que lo ayuda a almacenar. Levante el gancho de la viga y guarde la sierra junto a la pared u otro lugar.

CONSEJOS DE TRABAJO PARA SU SIERRA CIRCULAR

Utilice siempre una cuchilla adecuada para el material y el grosor del material a cortar. La calidad del corte mejorará a medida que aumente el número de dientes de la cuchilla. Asegúrese siempre de que la pieza de trabajo esté firmemente sujeta o afianzada para evitar que se mueva. Apoye los paneles grandes cerca de la línea de corte. Cualquier movimiento del material puede afectar la calidad del corte. La cuchilla corta el trazo ascendente y puede astillar la superficie superior o los bordes de la pieza de trabajo al cortar, asegúrese de que la superficie superior sea una superficie no - visible cuando termine su trabajo.

ES

MANTENIMIENTO

Desconecte el enchufe de la toma de corriente antes de realizar ajustes, reparaciones o mantenimiento.

Su herramienta eléctrica no requiere mantenimiento ni lubricación adicional. No hay piezas que requieran mantenimiento en la herramienta eléctrica. Nunca utilice limpiadores químicos ni agua para limpiar la herramienta eléctrica. Limpie con un paño seco. Almacene la herramienta eléctrica siempre en un lugar seco. Mantenga limpias las ranuras de ventilación del motor. Mantenga todos los controles de trabajo sin polvo. Ocasionalmente, puede ver chispas en las ranuras de ventilación. Esto es normal y no dañará su herramienta eléctrica.

Si el cable de alimentación está dañado, el fabricante, su agente de servicio o alguna persona con una calificación similar deberá reemplazarlo para evitar cualquier peligro.



www.catpowertools.com



©2021 Caterpillar. CAT, CATERPILLAR, their respective logos, "Caterpillar Yellow," the "Power Edge" trade dress as well as corporate and product identity used herein, are trademarks of Caterpillar and may not be used without permission. Positec Group Limited, a licensee of Caterpillar Inc