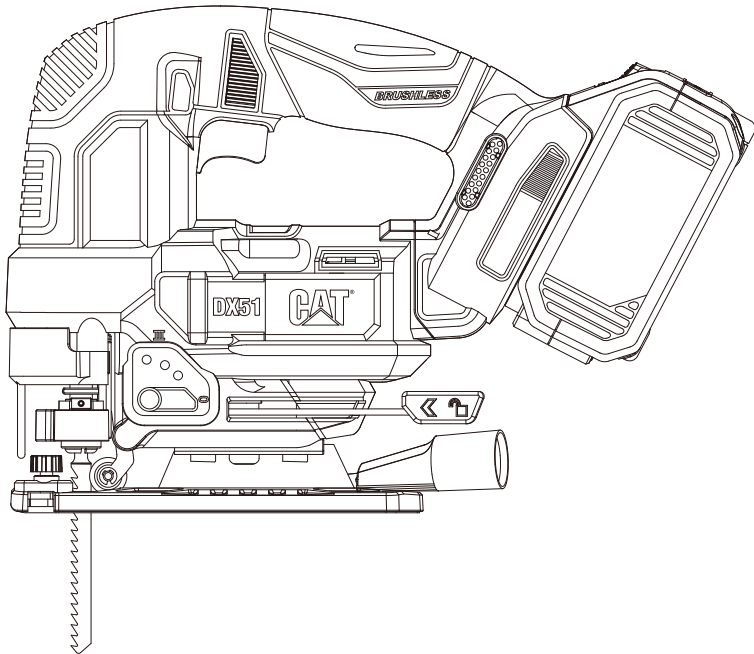




18V

DX51 DX51B



BRUSHLESS JIG SAW

EN

P06

BRUSHLESS JIG SAW

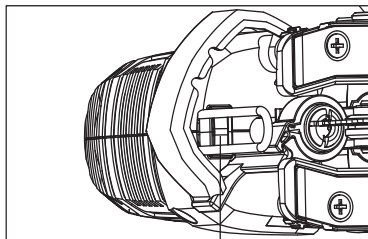
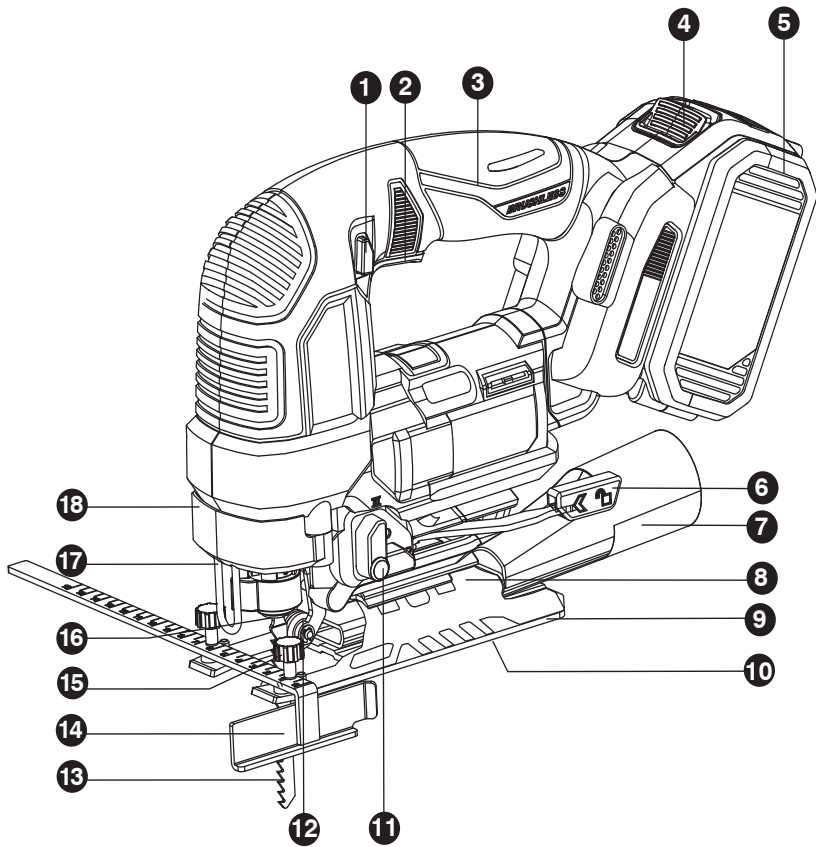
FR

P13

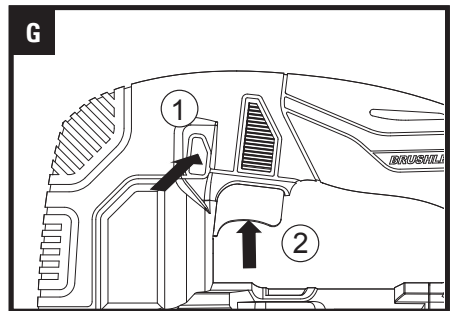
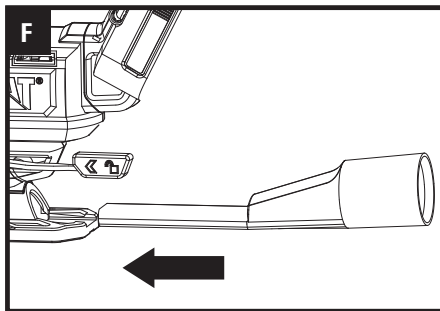
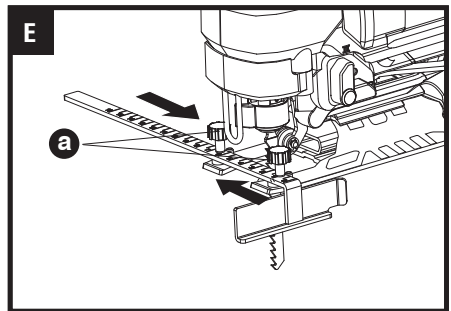
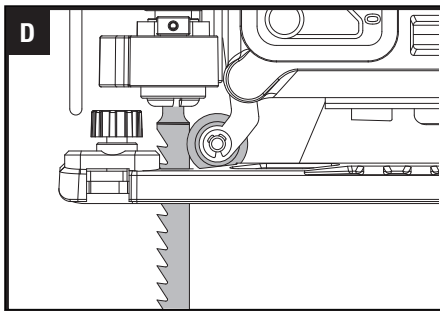
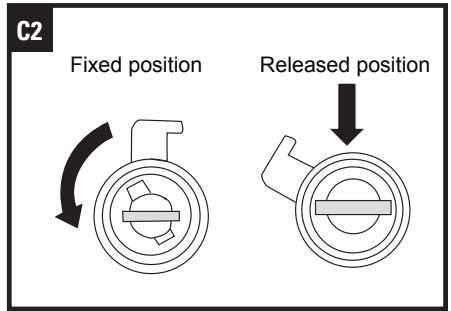
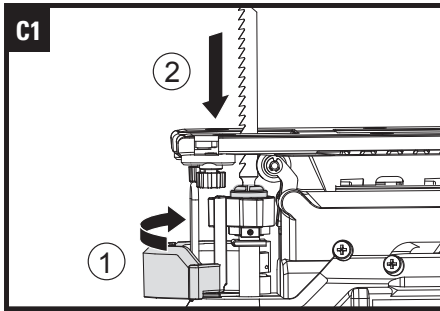
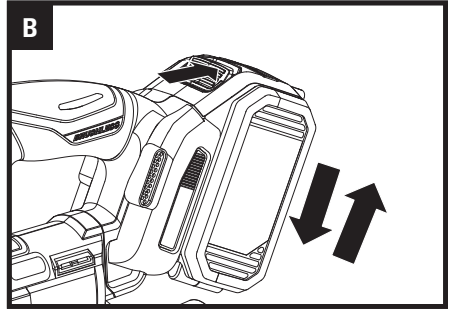
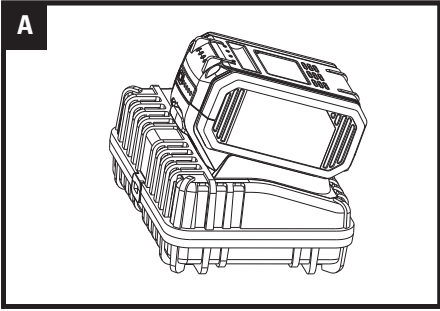
BRUSHLESS JIG SAW

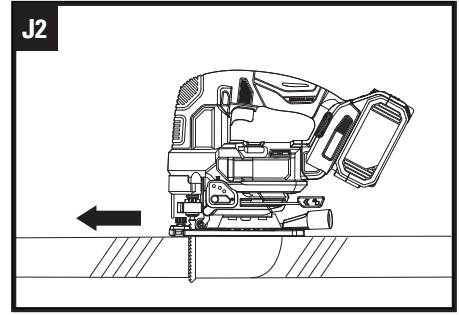
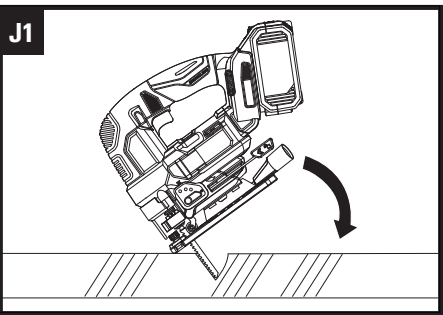
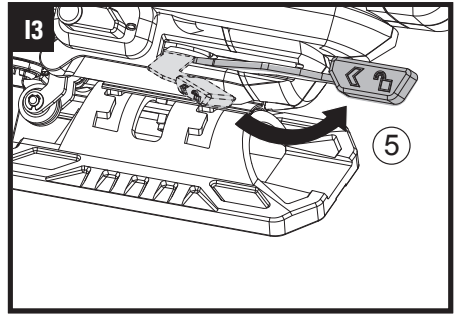
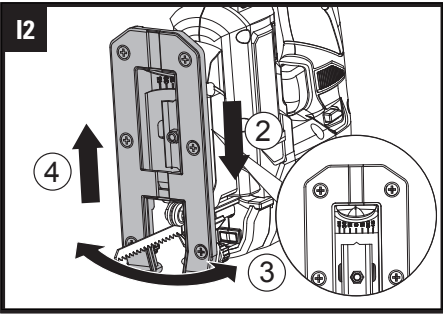
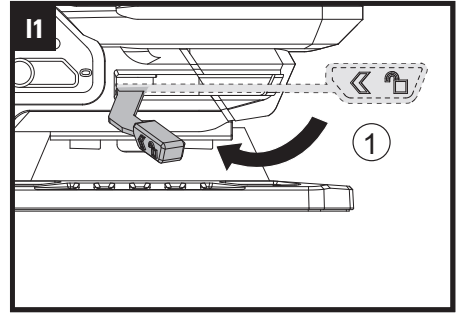
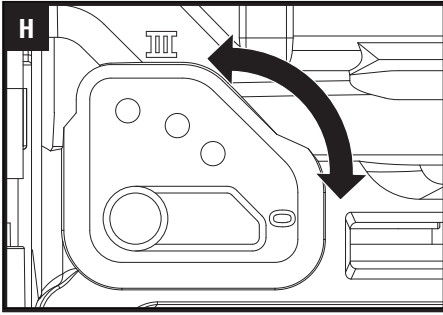
ES

P22



19






COMPONENT LIST

1. LOCK BUTTON
2. ON/OFF SWITCH
3. HAND GRIP AREA
4. BATTERY PACK RELEASE BUTTON*
5. BATTERY PACK*
6. SDS PLATE SPANNER
7. DUST ADAPTER
8. ANGLE PLATE
9. BASE PLATE
10. PLASTIC FOOT PLATE PROTECTION
11. PENDULUM ACTION CONTROL
12. ROLLER GUIDE
13. SAW BLADE
14. PARALLEL GUIDE
15. LOCKING KNOB
16. TOOL-FREE BLADE HOLDER
17. FINGER PROTECTION TOOL
18. TOOL-FREE BLADE HOLDER LEVER
19. LED LIGHT


*** Not all the accessories illustrated or described are included in standard delivery.**

PRODUCT SAFETY


 **WARNING:** Some dust created by power sanding, sawing, grinding, drilling and other construction activities contains chemicals known to the State of California to cause cancer, birth defects or other reproductive harm. Some examples of these chemicals are:

- Lead from lead-based paints;
- Crystalline silica from bricks and cement and other masonry products;
- Arsenic and chromium from chemically-treated lumber.

Your risk from these exposures varies, depending on how often you do this type of work. To reduce your exposure to these chemicals: work in a well ventilated area, and work with approved safety equipment, such as those dust masks that are specially designed to filter out microscopic particles.

 **WARNING:** This product can expose you to chemicals including lead and Di(2-ethylhexyl) phthalate (DEHP) which are known to the State of California to cause cancer and birth defects or other reproductive harm. For more information go to www.P65Warnings.ca.gov.

GENERAL POWER TOOL SAFETY WARNINGS

 **WARNING:** Read all safety warnings, instructions, illustrations and specifications provided with this power tool. Failure to follow all instructions listed below may result in electric shock, fire and/or serious injury.

Save all warnings and instructions for future reference. The term "power tool" in the warnings refers to your mains-operated (corded) power tool or battery-operated (cordless) power tool.

1) WORK AREA SAFETY

- Keep work area clean and well lit.** Cluttered or dark areas invite accidents.
- Do not operate power tools in explosive atmospheres, such as in the presence of flammable liquids, gases or dust.** Power tools create sparks which may ignite the dust or fumes.
- Keep children and bystanders away while operating a power tool.** Distractions can cause you to lose control.

2) ELECTRICAL SAFETY

- Power tool plugs must match the outlet. Never modify the plug in any way. Do not use any adapter plugs with earthed (grounded) power tools.** *Unmodified plugs and matching outlets will reduce risk of electric shock.*
- Avoid body contact with earthed or grounded surfaces, such as pipes, radiators, ranges and refrigerators.** *There is an increased risk of electric shock if your body is earthed or grounded.*
- Do not expose power tools to rain or wet conditions.** *Water entering a power tool will increase the risk of electric shock.*
- Do not abuse the cord. Never use the cord for carrying, pulling or unplugging the power tool. Keep cord away from heat, oil, sharp edges or moving parts.** *Damaged or entangled cords increase the risk of electric shock.*
- When operating a power tool outdoors, use an extension cord suitable for outdoor use.** *Use of a cord suitable for outdoor use reduces the risk of electric shock.*
- If operating a power tool in a damp location is unavoidable, use a residual current device (RCD) protected supply.** *Use of an RCD reduces the risk of electric shock.*

3) PERSONAL SAFETY

- Stay alert, watch what you are doing and use common sense when operating a power tool. Do not use a power tool while you are tired or under the influence of drugs, alcohol or medication.** *A moment of inattention while operating power tools may result in serious personal injury.*
- Use personal protective equipment. Always wear eye protection.** *Protective equipment such as dust mask, non-skid safety shoes, hard hat, or hearing protection used for appropriate conditions will reduce personal injuries.*
- Prevent unintentional starting. Ensure the switch is in the off-position before connecting to power source and/or battery pack, picking up or carrying the tool.** *Carrying power tools with your finger on the switch or energising power tools that have the switch on invites accidents.*
- Remove any adjusting key or wrench before turning the power tool on.** *A wrench or a key left attached to a rotating part of the power tool may result in personal injury.*
- Do not overreach. Keep proper footing and balance at all times.** *This enables better control of the power tool in unexpected situations.*
- Dress properly. Do not wear loose clothing or**

jewelry. Keep your hair and clothing away from moving parts. *Loose clothes, jewelry or long hair can be caught in moving parts.*

- g) **If devices are provided for the connection of dust extraction and collection facilities, ensure these are connected and properly used.** *Use of dust collection can reduce dust-related hazards.*
- h) **Do not let familiarity gained from frequent use of tools allow you to become complacent and ignore tool safety principles.** *A careless action can cause severe injury within a fraction of a second.*

4) POWER TOOL USE AND CARE

- a) **Do not force the power tool. Use the correct power tool for your application.** *The correct power tool will do the job better and safer at the rate for which it was designed.*
- b) **Do not use the power tool if the switch does not turn it on and off.** *Any power tool that cannot be controlled with the switch is dangerous and must be repaired.*
- c) **Disconnect the plug from the power source and/or remove the battery pack, if detachable, from the power tool before making any adjustments, changing accessories, or storing power tools.** *Such preventive safety measures reduce the risk of starting the power tool accidentally.*
- d) **Store idle power tools out of the reach of children and do not allow persons unfamiliar with the power tool or these instructions to operate the power tool.** *Power tools are dangerous in the hands of untrained users.*
- e) **Maintain power tools and accessories. Check for misalignment or binding of moving parts, breakage of parts and any other condition that may affect the power tool's operation. If damaged, have the power tool repaired before use.** *Many accidents are caused by poorly maintained power tools.*
- f) **Keep cutting tools sharp and clean.** *Properly maintained cutting tools with sharp cutting edges are less likely to bind and are easier to control.*
- g) **Use the power tool, accessories and tool bits etc. in accordance with these instructions, taking into account the working conditions and the work to be performed.** *Use of the power tool for operations different from those intended could result in a hazardous situation.*
- h) **Keep handles and grasping surfaces dry, clean and free from oil and grease.** *Slippery handles and grasping surfaces do not allow for safe handling and control of the tool in unexpected situations.*

5) BATTERY TOOL USE AND CARE

- a) **Recharge only with the charger specified by the**

manufacturer. *A charger that is suitable for one type of battery pack may create a risk of fire when used with another battery pack.*

- b) **Use power tools only with specifically designated battery packs.** *Use of any other battery packs may create a risk of injury and fire.*
- c) **When battery pack is not in use, keep it away from other metal objects, like paper clips, coins, keys, nails, screws or other small metal objects, that can make a connection from one terminal to another.** *Shorting the battery terminals together may cause burns or a fire.*
- d) **Under abusive conditions, liquid may be ejected from the battery; avoid contact. If contact accidentally occurs, flush with water. If liquid contacts eyes, additionally seek medical help.** *Liquid ejected from the battery may cause irritation or burns.*
- e) **Do not use a battery pack or tool that is damaged or modified.** *Damaged or modified batteries may exhibit unpredictable behaviour resulting in fire, explosion or risk of injury.*
- f) **Do not expose a battery pack or tool to fire or excessive temperature.** *Exposure to fire or temperature above 265°F (130 °C) may cause explosion.*
- g) **Follow all charging instructions and do not charge the battery pack or tool outside the temperature range specified in the instructions.** *Charging improperly or at temperatures outside the specified range may damage the battery and increase the risk of fire.*

6) SERVICE

- a) **Have your power tool serviced by a qualified repair person using only identical replacement parts.** *This will ensure that the safety of the power tool is maintained.*
- b) **Never service damaged battery packs.** *Service of battery packs should only be performed by the manufacturer or authorized service providers.*

JIG SAW SAFETY WARNINGS

1. **Hold jig saw by insulated gripping surfaces, when performing an operation where the cutting accessory may contact hidden wiring.** *Cutting accessory contacting a "live" wire may make exposed metal parts of the power tool "live" and could give the operator an electric shock.*
2. **Use clamps or another practical way to secure and support the workpiece to a stable platform.** *Holding the work by hand or against your body leaves it unstable and may lead to loss of control.*

SAFETY WARNINGS FOR BATTERY PACK

- a) Do not dismantle, open or shred battery pack.
- b) Do not expose battery pack to heat or fire. Avoid storage in direct sunlight.
- c) Do not short-circuit a battery pack. Do not store battery packs haphazardly in a box or drawer where they may short-circuit each other or be short-circuited by other metal objects. *When battery pack is not in use, keep it away from other metal objects, like paper clips, coins, keys, nails, screws or other small metal objects, that can make a connection from one terminal to another. Shorting the battery terminals together may cause burns or fire.*
- d) Do not remove battery pack from its original packaging until required for use.
- e) Do not subject battery pack to mechanical shock.
- f) In the event of battery leaking, do not allow the liquid to come in contact with the skin or eyes. If contact has been made, wash the affected area with copious amounts of water and seek medical advice.
- g) Observe the plus (+) and minus (-) marks on the battery back and equipment and ensure correct use.
- h) Do not use any battery pack which is not designed for use with the equipment.
- i) Keep battery pack out of the reach of children.
- j) Seek medical advice immediately if a cell or battery has been swallowed.
- k) Always purchase the battery pack recommended by the device manufacturer for the equipment.
- l) Keep battery pack clean and dry.
- m) Wipe the battery pack terminals with a clean dry cloth if they become dirty.
- n) Battery pack needs to be charged before use. Always use the correct charger and refer to the manufacturer's instructions or equipment manual for proper charging instructions.
- o) Do not leave battery pack on prolonged charge when not in use.
- p) After extended periods of storage, it may be necessary to charge and discharge the battery pack several times to obtain maximum performance.
- q) Recharge only with the charger specified by Cat®. Do not use any charger other than that specifically provided for use with the equipment.
- r) Retain the original product literature for future reference.
- s) Use only the battery pack in the application for which it was intended.
- t) Remove the battery pack from the equipment when

not in use.

- u) Dispose of properly.
- v) Do not mix cells of different manufacture, capacity, size or type within a device.

SYMBOLS



To reduce the risk of injury, user must read instruction manual



Wear eye protection



Wear ear protection



Wear dust mask



Warning



Li-Ion

Li-Ion battery, battery must be recycled



Do not burn



Batteries may enter water cycle if disposed improperly, which can be hazardous for ecosystem. Do not dispose of waste batteries as unsorted municipal waste.




call2recycle®

Cat® Inc. has established a partnership with the RBRC Corporation to recycle any Cat® batteries with the RBRC-call2recycle seal. For environmental protection, please do not discard batteries in the trash. After the batteries' life cycle is ended, then please call 1-800-822-8837 for a free service that will properly dispose of the battery.

TECHNICAL DATA

Type DX51 DX51B (51-designation of machinery, representative of jig saw)

	DX51	DX51B
Voltage	18V \equiv	
No load speed	0-3500 /min	
Stroke length	1" (26mm)	
Bevel capacity	$\pm 45^\circ$	
Cutting capacity		
	Wood	4-3/4" (120mm)
	PVC	25/32" (20mm)
	Steel	3/8" (10mm)
Battery capacity (DXB4)	4.0 Ah	/
Charger input (DXC4)	120V-60Hz, 95W	/
Charger output (DXC4)	20 V \equiv 4 A	/
Charger protection class	 /II	/
Machine weight	5.63 lbs (2.55 kg)	4.19 lbs (1.9 kg)

EN

ACCESSORIES

	DX51	DX51B
Wood cutting blade	1	1
Vacuum adapter	1	1
Parallel guide	1	1
Plastic foot plate protection	1	1
Battery pack (DXB4)**	1	/
Charger (DXC4)	1	/

We recommend that you purchase your accessories from the same store that sold you the tool. Refer to the accessory packaging for further details. Store personnel can assist you and offer advice.

Please Note: We strongly recommend the Cat[®] DXB4(4Ah)/GXB5(5Ah) battery packs for maximum working performance and extended runtime. **Bought separately.

OPERATING INSTRUCTIONS



NOTE: Before using the tool, read the instruction book carefully.

INTENDED USE

The machine is intended for sawing wood, plastic, metal and building materials while resting firmly on the workpiece. It is suitable for straight and curved cuts with bevel angles up to 45°. The saw blade recommendations are to be observed.

BEFORE PUTTING INTO OPERATION

1. CHARGE YOUR BATTERY PACK (SEE FIG. A)

2. CHECKING THE BATTERY POWER CONDITION

5 LED lights show the battery power condition. Before starting or after use, press the button beside the lights to check the battery power condition.


ASSEMBLY

1. TO REMOVE OR INSTALL BATTERY PACK (SEE FIG. B)

Depress the battery pack release button to release and slide the battery pack out from your tool. After recharge, slide it back into your tool. A simple push and slight pressure will be sufficient.

2. FITTING THE SAW BLADE (SEE FIG. C1, C2)

Rotate the tool-free blade holder lever (Jigsaw upside down) and hold in position. Then fully insert the blade into the tool-free blade holder slot with blade teeth facing forward and release the blade holder lever, which will clamp over the top of the blade. Ensure the tool-free blade holder is locked in place. Try to pull the blade out of the blade holder again to ensure it is locked in position. Ensure the edge of the blade is located in the groove of the blade guide. To remove a blade, rotate the tool-free blade holder lever again and then lift out the blade.

 **WARNING: Blade teeth are very sharp.** For best cutting results ensure you use a blade suited to the material and cut quality you need.

3. ROLLER GUIDE (SEE FIG. D)

Ensure the blade is located and runs smoothly in the groove otherwise the pendulum function will not work correctly and the blade will not be supported during cutting.

4. FITTING THE PARALLEL GUIDE (SEE FIG. E)

Slide the parallel guide arm through both parallel guide fixtures and tighten the locking nut (a) to achieve the required cutting distance. The parallel guide can be mounted in two positions as shown in Fig. E.

5. DUST TUBE (SEE FIG. F)

Mount the dust tube into the opening of the base plate. Make sure that the plastic tip of the vacuum connection engages into the corresponding opening on the housing as shown in Fig. F.

OPERATION

1. SAFETY ON/OFF SWITCH (SEE FIG. G)

The lock button can be locked in the OFF position. This helps to reduce the possibility of accidental starting when not in use. Depress the lock button to left or right then on/off switch and release the lock button. Your switch is now on. To switch off, just release the on/off switch.

2. PENDULUM ACTION CONTROL (SEE FIG. H)

The pendulum action varies the forward cutting angle of the blade for increased cutting efficiency. This can also be adjusted during no load running. Refer to the chart 1 for more details. Do not use excessive blade force when cutting with the pendulum action. The blade cuts on the upward stroke only.

Chart 1	
0	Thin materials. Fine cuts. Tight curves.
I	Hard materials, (e.g. steel & chipboard)
II	Thick materials (e.g. wood) & plastic
III	Fast cuts (e.g. softwood). Cutting in the direction of the wood grain.

3. BASE PLATE

Adjusting the angle of the base plate enables bevel cutting. The base plate must always be held firmly against the materials being cut to reduce saw vibration, blade jumping or blade breakage.

4. BASE PLATE ANGLE ADJUSTMENT (SEE FIG. I1-I3)

Your jig saw is equipped with the SDS base plate. Hold the SDS plate spanner and pull it outwards to 90°. Hold the SDS base plate and move it backwards a little. Now the base plate is loosen and can be turned either to left or right to a desired angle according to the angle scale marking shown on the angle plate. Move the base plate forwards a little until the teeth of the angle plate exactly match to a small raised block. Return the SDS plate spanner to lock the SDS base plate at the required angle. Check the angle and ensure the base plate is firmly clamped.

The angle scale markings on the angle plate are accurate for most general purposes but it is recommended for accurate work to set the angle with a protractor and make a test cut on other material.

5. FINGER PROTECTION

The finger protection is located in front of the blade holder. Whilst working, it will help prevent accidental contact with moving blade.

6. WORK LIGHT

Press the on/off switch, the work light will illuminate. Release the on/off switch to turn off the work light.



CAUTION: Do not look into the strong light or see the source of light directly.

WORKING HINTS FOR YOUR JIG SAW

If your jig saw becomes too hot, especially when used at low speed, set the speed to maximum and run no load for 2-3 minutes to cool the motor. Avoid prolonged usage at very low speeds.

GENERAL

Always use a blade suited to the material and material thickness to be cut. Always ensure the workpiece is firmly held or clamped to prevent movement. For easier control, use low speed to start cutting, then increase to correct speed.

Any movement of the material may affect the quality of the cut. The blade cuts on the upward stroke and may chip the uppermost surface or face of the workpiece. Ensure your uppermost surface is a non-visible surface when your work is finished.

CUTTING LAMINATES

Use a fine tooth blade when cutting most laminates and thin wood materials. To reduce edge chipping, clamp pieces of waste wood at both ends on both sides and cut through the waste wood during cutting.

CIRCLE CUTTING

Do not use the pendulum action when cutting tight circles or angles.

PLUNGE SAWING

Plunge cutting may be used only on soft materials such as wood, aerated concrete, gypsum plaster boards, etc. Use only short saw blades. Place the front edge of the base plate on the workpiece and switch on. Press the machine firmly against the workpiece and plunge the saw blade slowly into the workpiece.

As soon as the complete surface of the base plate rests on the work piece, continue to saw along the cutting line. (See Fig. J1, J2)

METAL CUTTING

Use a finer tooth blade for ferrous metals and a coarse tooth blade for non-ferrous metals. When cutting thin sheet metals always clamp wood on both sides of the sheet to reduce vibration or tearing of the sheet metal. Both wood and sheet metal must be cut. Do not force the cutting blade when cutting thin metal or sheet steel as they are harder materials and will take longer to cut. Excessive blade force may reduce the life of the blade or damage the motor. To reduce heat during metal cutting, add a little lubricant along the cutting line.

MAINTENANCE

Remove the battery before carrying out any adjustment, servicing or maintenance.

There are no user serviceable parts in your power tool. Never use water or chemical cleaners to clean your power tool. Wipe clean with a dry cloth. Always store your power tool in a dry place. Keep the motor ventilation slots clean. Keep all working controls free of dust. Occasionally you may see sparks through the ventilation slots. This is normal and will not damage your power tool.

FOR BATTERY TOOLS

The ambient temperature range for the use and storage of tool and battery is 32-113°F (0°C-45°C). The recommended ambient temperature range for the charging system during charging is 32 -104°F (0°C-40°C).

LISTE DES COMPOSANTS

1. BOUTON DE VERROUILLAGE
2. BOUTON ON / OFF
3. ZONE DE PREHENSION
4. BOUTON DE LIBÉRATION DE LA BATTERIE*
5. BATTERIE*
6. CLE A MOLETTE POUR LA PLAQUE SDS
7. ADAPTATEUR DE POUSSIÈRE
8. PLAQUE ANGULAIRE
9. PLAQUE DE BASE
10. PROTECTION DE PLAQUE DE PIED EN PLASTIQUE
11. CONTRÔLE D'ACTION PENDULE
12. GUIDE DE ROULEAU
13. LAME DE SCIE
14. GUIDE PARALLÈLE
15. BOUTON DE VERROUILLAGE
16. PORTE-LAME SANS OUTIL
17. OUTIL DE PROTECTION DES DOIGTS
18. LEVIER DE PORTE-LAME SANS OUTIL
19. VOYANT LED

* Les accessoires illustrés ou décrits ne sont pas tous compris dans le cadre de la livraison standard.

FR

SÉCURITÉ DU PRODUIT

! **AVERTISSEMENT:** Certaines des poussières produites en utilisant des outils électriques sont considérées par l'État de Californie comme susceptibles de provoquer le cancer, des anomalies congénitales et d'autres problèmes de reproduction.

Voici des exemples de ces produits chimiques:

- Plomb issu de peinture à base de plomb;
- Silice cristalline issue de briques et du ciment et autres produits de maçonnerie;
- Arsenic et chrome issus de bois traité chimiquement.

Votre risque de ces expositions varie en fonction de la fréquence à laquelle vous effectuez ce travail. Pour réduire votre exposition à ces produits chimiques: travaillez dans une zone bien ventilée; portez un équipement de sécurité approuvé, tel que des masques anti poussières spécialement conçus pour éliminer les particules microscopiques par filtrage.

! **AVERTISSEMENT:** Ce dispositif peut vous exposer aux produits chimiques notamment le plomb et le di-phtalate (de 2-éthylhexyle) (DEHP) qui sont reconnus dans l'État de Californie comme causant des cancers et des anomalies congénitales ou d'autres anomalies de la reproduction. Pour en savoir plus, veuillez consulter le site www.P65Warnings.ca.gov.

AVERTISSEMENTS GENERAUX CONCERNANT LA SECURITE DES OUTILS ELECTRIQUES

! **AVERTISSEMENT** Lisez et assimilez toutes les instructions. Le non-respect des instructions ci-après peut entraîner un risque de choc électrique, d'incendie et/ou de blessures graves.

Conservez tous les avertissements et instructions pour pouvoir les consulter ultérieurement.

L'expression « outil électrique » dans tous les avertissements énumérés ci-dessous se réfère à votre outil électrique fonctionnant sur secteur (branché) ou à batterie (sans-fil).

1) AIRE DE TRAVAIL

- Veillez à ce que l'aire de travail soit propre et bien éclairée.** Le désordre et le manque de lumière favorisent les accidents.
- N'utilisez pas d'outils électriques dans un milieu présentant un risque d'explosion, par exemple en présence de liquides, de gaz ou de poussières inflammables.** Les outils électriques créent des

étincelles qui pourraient enflammer les poussières ou les vapeurs.

- Gardez à distance les curieux, les enfants et les visiteurs lorsque vous travaillez avec un outil électrique.** Ils pourraient vous distraire et vous faire faire une fausse manoeuvre.

2) SÉCURITÉ ÉLECTRIQUE

- Les fiches des outils électriques doivent correspondre aux prises murales. Ne jamais modifier la fiche de quelque façon que ce soit. Ne pas utiliser de fiches d'adaptation avec des outils électriques mis à la terre (mis à la masse).** Des fiches non modifiées et des prises qui leur correspondent réduiront le risque de choc électrique.
- Évitez tout contact corporel avec des surfaces mises à la terre (tuyauterie, radiateurs, cuisinières, réfrigérateurs, etc.)** Le risque de choc électrique est plus grand si votre corps est en contact avec la terre.
- N'exposez pas les outils électriques à la pluie ou à l'eau.** La présence d'eau dans un outil électrique augmente le risque de choc électrique.
- Ne maltraitez pas le cordon. Ne transportez jamais l'outil par son cordon et ne débranchez jamais la fiche en tirant sur le cordon. N'exposez pas le cordon à la chaleur, à des huiles, à des arrêtes vives ou à des pièces en mouvement.** Un cordon endommagé augmente le risque de choc électrique.
- Lorsque vous utilisez un outil électrique à l'extérieur, utilisez un prolongateur adapté à une utilisation en extérieur.** L'utilisation d'un cordon adapté à une utilisation extérieure réduit le risque de choc électrique.
- Si vous devez utiliser un outil électrique dans un endroit humide, utilisez un dispositif de courant résiduel (RCD) d'alimentation protégée.** L'utilisation d'un RCD réduit le risque de choc électrique.

3) SÉCURITÉ DES PERSONNES

- Restez alerte, concentrez-vous sur votre travail et faites preuve de bon sens. N'utilisez pas un outil électrique si vous êtes fatigué ou sous l'influence de drogues, d'alcool ou de médicaments.** Un instant d'inattention lors de l'utilisation d'outils électriques peut entraîner des blessures graves.
- Utilisez des accessoires de sécurité. Portez toujours une protection oculaire.** De l'équipement de sécurité tel que le masque antipoussière, les chaussures de sécurité antidérapantes, des casques durs ou des protections antibruit utilisés dans des conditions appropriées réduiront les

blessures corporelles.

- c) **Évitez les démarrages accidentels. Avant d'insérer la batterie dans l'outil, assurez-vous que son interrupteur est en position « OFF » (Arrêt) ou verrouillée.** *Le fait de transporter un outil avec le doigt sur la détente/l'interrupteur ou d'insérer la batterie dans un outil dont la détente est en position « ON » (Marche) peut causer un accident.*
- d) **Retirer les clés de réglage avant de mettre l'outil sous tension.** *Une clé restée attachée à une partie mobile de l'outil pourrait entraîner des blessures corporelles.*
- e) **Ne vous penchez pas trop en avant. Maintenez un bon appui et restez en équilibre en tout temps.** *Une bonne stabilité vous permet de mieux réagir à une situation inattendue.*
- f) **Habillez-vous convenablement. Ne portez ni vêtements flottants ni bijoux. Gardez les cheveux, les vêtements et les gants éloignés des pièces en mouvement.** *Les vêtements flottants, les bijoux ou les cheveux longs risquent d'être happés par des pièces en mouvement.*
- g) **Si un sac de récupération de la poussière est fourni avec un connecteur pour aspirateur, assurez vous qu'il est correctement relié et utilisé de façon appropriée.** *L'utilisation de ce système réduit les dangers physiques et physiologiques liés à la poussière.*
- h) **Ne laissez pas les habitudes acquises par une utilisation fréquente d'outils relâcher notre vigilance et ignorer les principes de sécurité des outils.** *Une utilisation négligente peut causer des blessures graves en une fraction de seconde.*

4) UTILISATION ET ENTRETIEN DE L'OUTIL

- a) **Ne forcez pas l'outil. Utilisez l'outil approprié à la tâche.** *L'outil approprié fonctionne mieux et de façon plus sécuritaire. Respectez aussi la vitesse de travail qui lui est propre.*
- b) **N'utilisez pas un outil si l'interrupteur ne le met pas en marche ou ne peut l'arrêter.** *Un outil qui ne peut être contrôlé par l'interrupteur est dangereux et doit être réparé.*
- c) **Débranchez la batterie de l'outil ou mettez son interrupteur en position « OFF » (Arrêt) ou « LOCKED » (Verrouillé) avant d'effectuer un réglage, de changer d'accessoire ou de ranger l'outil.** *De telles mesures de sécurité préventive réduisent le risque de démarrage accidentel de l'outil.*
- d) **Rangez les outils hors de portée des enfants et d'autres personnes inexpérimentées.** *Les outils sont dangereux dans les mains d'utilisateurs novices.*
- e) **Prenez soin de bien entretenir les outils. Soyez attentif à tout désalignement ou coincement des**

pièces en mouvement, à tout bris ou à toute autre condition préjudiciable au bon fonctionnement de l'outil. Si vous constatez qu'un outil est endommagé, faites-le réparer avant de vous en servir. *De nombreux accidents sont causés par des outils en mauvais état.*

- f) **Les outils de coupe doivent être toujours bien affûtés et propres.** *Des outils bien entretenus, dont les arêtes sont bien tranchantes, sont moins susceptibles de se coincer et plus faciles à contrôler.*
- g) **Utilisez l'outil électrique, les accessoires et les forets etc., en conformité avec ces instructions et de la manière conçue pour le type particulier d'outil électrique, prend en compte les conditions de travail et le travail qui doit être accompli.** *L'emploi de l'outil électrique pour des opérations différentes de celles pour lesquelles il a été conçu pourrait entraîner une situation dangereuse.*
- h) **Maintenez les poignées et les surfaces de prise sèches, propres et exemptes d'huile et de graisse.** *Des poignées et surfaces de prise glissantes ne permettent pas une manipulation et un contrôle sécurisés de l'outil dans des situations inattendues.*

5) UTILISATION DE LA BATTERIE ET ENTRETIEN

- a) **Un outil à batterie avec batteries incorporées ou une batterie séparée doit être rechargé uniquement avec le chargeur indiqué pour la batterie.** *Un chargeur qui peut être adéquat pour un type de batterie peut créer un risque d'incendie lorsqu'il est utilisé avec une autre batterie.*
- b) **Utiliser un outil à batterie uniquement avec la batterie désignée.** *L'emploi de toute autre batterie peut créer un risque d'incendie.*
- c) **Lorsque la batterie n'est pas utilisée, tenez-la à l'écart d'autres objets métalliques tels que trombones, pièces de monnaie, clés, clous, vis ou autres petits objets métalliques susceptibles d'établir une connexion d'une borne à une autre.** *Le court-circuitage des bornes de batterie peut causer des étincelles, des brûlures, une explosion ou un incendie.*
- d) **Dans le cadre de conditions d'abus, du fluide peut être éjecté de la batterie, évitez tout contact. Si un contact se produisait accidentellement, rincez abondamment avec de l'eau. Si le fluide touche les yeux, cherchez en plus de la mesure précédente de l'aide médicale.** *Le fluide éjecté de la batterie peut causer des irritations ou des brûlures.*
- e) **N'utilisez pas une batterie ou un outil endommagé ou modifié.** *Les batteries endommagées ou modifiées peuvent avoir un comportement imprévisible entraînant un incendie, une explosion*

ou un risque de blessure.

- f) **N'exposez pas une batterie ou un outil au feu ou à une température excessive.** Une exposition au feu ou à une température supérieure à 265°F (130 °C) pourrait provoquer une explosion.
 - g) **Respectez toutes les instructions de chargement et ne chargez pas la batterie ou l'outil en dehors de la plage de température spécifiée dans les instructions.** Un chargement incorrect ou à des températures en dehors de la plage spécifiée peut endommager la batterie et augmenter le risque d'incendie.
- 6) **ENTRETIEN**
- a) **Ayez votre outil électrique entretenu par un réparateur agréé n'utilisant que des pièces de rechange identiques.** Cela assurera que la sécurité de l'outil électrique est maintenue.
 - b) **Ne jamais tenter de réparer des batteries endommagées.** L'entretien et la réparation des batteries doit uniquement être effectué par le fabricant ou par des centres de services agréés.

AVERTISSEMENT DE SÉCURITÉ CONCERNANT LA SCIE SAUTEUSE SANS FIL

1. **Tenez la scie sauteuse par les surfaces de prise isolées, lorsque vous effectuez une opération dans laquelle l'accessoire de découpage peut entrer en contact avec les fils électriques cachés.** L'entrée en contact d'un accessoire de coupe avec un fil sous tension pourrait rendre conductrices des parties en métal exposées de l'outil électrique et causer un choc électrique à l'opérateur.
2. **Utilisez des brides ou d'autres moyens pratiques de brider ou de supporter la pièce sur une plate-forme stable.** Tenir la pièce à la main ou contre le corps est instable et risque de résulter en une perte de contrôle.

CONSIGNES GÉNÉRALES DE SÉCURITÉ CONCERNANT LA BATTERIE

- a) **Ne pas démonter, ouvrir ou décharger le bloc batterie.**
- b) **Ne pas exposer le bloc batterie à la chaleur ou au feu.** Évitez de ranger la batterie dans un endroit exposé à la lumière directe du soleil.

- c) **Ne pas court-circuiter une batterie. Ne stockez pas les blocs batterie en vrac dans une boîte ou un tiroir où ils peuvent se court-circuiter ou être court-circuités par d'autres objets métalliques.** Lorsque le bloc batterie n'est pas utilisé, conservez-le loin d'autres objets métalliques, tels que des trombones, des pièces de monnaie, des clés, des clous, des vis ou d'autres objets métalliques de petite taille, qui pourraient établir une connexion d'un terminal à l'autre. Le fait de créer un court-circuit entre les bornes de la batterie peut causer des brûlures ou des incendies.
- d) **Ne pas retirer la batterie de son emballage d'origine avant utilisation dans l'appareil.**
- e) **Ne pas soumettre la batterie à des chocs mécaniques.**
- f) **En cas de fuite de la batterie, ne pas laisser le liquide entrer en contact avec la peau ou les yeux.** Si un contact a été effectué, laver la zone touchée avec beaucoup d'eau et consulter un médecin.
- g) **Respecter les marques plus (+) et moins (-) sur le bloc batterie et sur l'appareil et veiller à bien le positionner.**
- h) **Ne pas utiliser de batterie qui n'a pas été conçue pour être utilisée avec cet appareil.**
- i) **Maintenez la batterie hors de portée des enfants.**
- j) **Consultez immédiatement un médecin si une cellule ou une batterie a été avalée.**
- k) **Achetez toujours une batterie recommandée par le fabricant de l'appareil.**
- l) **Conservez le bloc batterie propre et sec.**
- m) **Essuyez les bornes de la batterie avec un chiffon propre et sec si elles deviennent sales.**
- n) **La batterie doit être chargée avant son utilisation.** Utilisez toujours le chargeur adapté et reportez-vous aux instructions du fabricant ou au manuel de l'équipement pour suivre les instructions concernant la procédure de charge.
- o) **Ne laissez pas le bloc batterie en charge prolongée lorsqu'il n'est pas utilisé.**
- p) **Après de longues périodes de stockage, il peut être nécessaire de charger et de décharger la batterie plusieurs fois pour obtenir des performances optimales.**
- q) **Rechargez le bloc batterie uniquement avec le chargeur spécifié par Cat[®].** N'utilisez pas un chargeur autre que celui spécifiquement conçu pour être utilisé avec l'équipement.
- r) **Conservez la documentation originale du produit pour référence ultérieure.**
- s) **Utilisez uniquement la batterie dans l'application pour laquelle elle a été prévue.**
- t) **Retirez la batterie de l'équipement lorsqu'il n'est pas utilisé.**

- u) Éliminez la batterie de façon adéquate.
- v) Ne pas mélanger des cellules de fabricants, de capacités, de tailles ou de type différents dans un appareil.

SYMBOLES



Afin de réduire les risques de blessure, l'utilisateur doit lire ce mode d'emploi.



Portez un protecteur oculaire



Portez une protection auditive



Portez un masque anti poussières



Avertissement



Batterie Li-Ion. Les batteries doivent être recyclées en collecte sélective.

Li-Ion



Ne pas jeter au feu



Les batteries peuvent pénétrer dans le cycle de l'eau si recyclées de manière incorrecte, ce qui peut être dangereux pour l'écosystème. Ne pas jeter les batteries usées comme déchets municipaux non-triés.



call2recycle®

Cat® Inc. a formé un partenariat avec RBRC Corporation pour le recyclage des batteries Cat® portant le sceau RBRC-call2recycle. Pour la protection de l'environnement, veillez à ne pas jeter les batteries aux poubelles. À la fin du cycle de vie de la batterie, appelez 1-800-822-8837 pour un service gratuit qui mettra la batterie au rebut selon les règles de l'art.

DONNÉES TECHNIQUES

Type DX51 DX51B (désignation 51 des machines, représentative de la scie sauteuse)

	DX51	DX51B
Tension	18V ==	
Vitesse à vide	0-3500 /min	
Course	1" (26mm)	
Angle de chanfrein	±45°	
Profondeur maximale de coupe		
	Bois	4-3/4" (120mm)
	PVC	25/32" (20mm)
	Acier	3/8" (10mm)
Capacité de la batterie (DXB4)	4.0 Ah	/
Entrée chargeur(DXC4)	120V~60Hz, 95W	/
Sortie chargeur (DXC4)	20 V == 4 A	/
Classe de protection du chargeur	□/II	/
Poids	5.63 lbs (2.55 kg)	4.19 lbs (1.9 kg)

ACCESSOIRES

	DX51	DX51B
Lame de scie à bois	1	1
Adaptateur d'aspiration	1	1
Guide parallèle	1	1
Protection de plaque de pied en plastique	1	1
Blocs-piles (DXB4)**	1	/
Chargeur (DXC4)	1	/

Nous vous recommandons d'acheter tous vos accessoires du même magasin qui vous a vendu l'outil. Pour de plus amples renseignements, consultez l'emballage de l'accessoire. Le personnel du magasin peut également vous conseiller.

Notez s'il vous plaît: Nous recommandons fortement les batteries Cat® DXB4 (4Ah) / GXB5 (5Ah) pour des performances de travail maximales et une autonomie prolongée. ** Acheté séparément.

INSTRUCTIONS D'UTILISATION



REMARQUE: Avant d'utiliser cet outil, assurez-vous de lire attentivement le manuel d'utilisation.

UTILISATION PRÉVUE

La machine est conçue pour scier du bois, du plastique, du métal et des matériaux de construction tout en reposant fermement sur la pièce. Il convient aux coupes droites et courbes avec des angles de biseau à 45°. Les recommandations concernant la lame de scie doivent être respectées.

AVANT LA MISE EN SERVICE

1. CHARGEZ VOTRE BATTERIE (VOIR FIG. A)

2. VÉRIFICATION DE L'ÉTAT DE LA BATTERIE

5 voyants LED indiquent l'état de la batterie. Avant de commencer ou après l'utilisation, appuyez sur le bouton à côté des voyants pour vérifier l'état de la batterie.

ASSEMBLAGE

1. POUR RETIRER OU INSTALLER LA BATTERIE (VOIR FIG. B)

Appuyez sur le bouton de libération de la batterie pour libérer et faire glisser la batterie hors de votre outil. Après la recharge, faites-le glisser dans votre outil. Une simple poussée et une légère pression suffiront.

2. MONTAGE DE LA LAME DE SCIE (VOIR FIG. C1, C2)

Tournez le levier du porte-lame sans outil (côté supérieur de la scie sauteuse vers le bas) et maintenez-le en position. Insérez ensuite complètement la lame dans la fente de porte-lame sans outil avec les dents de la lame orientées vers l'avant et relâchez le levier du porte-lame, qui se bloquera sur le dessus de la lame. Assurez-vous que le porte-lame sans outil est verrouillé en place. Essayez de retirer la lame du porte-lame pour vous assurer qu'elle est verrouillée en position. Assurez-vous que le bord de la lame est situé dans la rainure du guide de lame. Pour retirer une lame, tournez à nouveau le levier du porte-lame sans outil, puis soulevez la lame.



AVERTISSEMENT: LES DENTS DE LA LAME SONT TRÈS COUPANTES. Pour de meilleurs résultats de coupe, assurez-vous d'utiliser une lame adaptée au matériau et à la qualité de coupe dont vous avez besoin.

3. GUIDE DE ROULEAU (VOIR FIG. D)

Assurez-vous que la lame est située dans la rainure et qu'elle y fonctionne bien, sinon la fonction pendule ne fonctionnera pas correctement et la lame ne sera pas supportée pendant la coupe.

4. MONTAGE DU GUIDE PARALLÈLE (VOIR FIG. E)

Faites glisser le bras de guidage parallèle à travers ses deux fixations et serrez l'écrou de blocage (a) pour atteindre la distance de coupe requise. Le guide parallèle peut être monté dans deux positions comme indiqué sur la Fig. E.

5. TUBE À POUSSIÈRE (VOIR FIG. F)

Montez le tube à poussière dans l'ouverture de la plaque de base. Assurez-vous que la pointe en plastique de la connexion à vide s'engage dans l'ouverture correspondante sur le boîtier, comme indiqué sur la Fig. F.

OPÉRATION

1. INTERRUPTEUR MARCHÉ / ARRÊT SÉCURISÉ (VOIR FIG. G)

Le bouton de verrouillage peut être verrouillé en position OFF. Cela aide à réduire la possibilité de démarrage accidentel lorsqu'il n'est pas utilisé. Appuyez sur le bouton de verrouillage vers la gauche ou la droite, puis sur l'interrupteur marche / arrêt et relâchez le bouton de verrouillage.

Votre interrupteur est maintenant activé. Pour éteindre, relâchez simplement l'interrupteur marche / arrêt.

2. COMMANDE D'ACTION PENDULAIRE (VOIR FIG. H)

L'action du pendule fait varier l'angle de coupe vers l'avant de la lame pour une plus grande efficacité de coupe. Cela peut également être ajusté pendant le fonctionnement sans charge. Reportez-vous à l'emballage des accessoires pour plus de détails. Reportez-vous au tableau 1 pour plus de détails. La lame ne coupe que vers le haut.

Graphique 1	
0	Matériaux minces. Coupes fines. Courbes serrées.
I	Matériaux durs (par exemple acier et panneaux de particules)
II	Matériaux épais (par exemple bois) et plastique
III	Coupes rapides (par exemple bois tendre). Coupe dans le sens du grain du bois.

3. PLAQUE DE BASE

Le réglage de l'angle de la plaque de base permet une coupe en biseau. La plaque de base doit toujours être maintenue fermement contre les matériaux à couper pour réduire les vibrations de la scie, le saut de la lame ou la rupture de la lame.

4. RÉGLAGE DE L'ANGLE DE LA PLAQUE DE BASE (VOIR FIG. 11-13)

Votre scie sauteuse est équipée de la plaque de base SDS. Tenez la clé plate SDS et tirez-la vers l'extérieur pour 90°. Tenez la plaque de base SDS et faites-la légèrement reculer. Maintenant, la plaque de base est desserrée et peut être tournée vers la gauche ou la droite selon l'angle souhaité en fonction du marquage de l'échelle d'angle indiqué sur la plaque. Déplacez légèrement la plaque de base vers l'avant jusqu'à ce que les dents de la plaque d'angle correspondent exactement à un petit bloc surélevé. Remettez la clé plate SDS pour verrouiller la plaque de base SDS à l'angle requis. Vérifiez l'angle et assurez-vous que la plaque de base est fermement serrée.

Les marques d'échelle d'angle sur la plaque sont précises pour la plupart des utilisations générales, mais il est recommandé pour un travail précis de régler l'angle avec un rapporteur et d'effectuer une coupe d'essai sur un autre matériau.

5. PROTECTION DES DOIGTS

La protection des doigts est située devant le porte-lame. Pendant le travail, cela aidera à éviter tout contact accidentel avec la lame en mouvement.

6. LAMPE DE TRAVAIL

Appuyez sur l'interrupteur marche / arrêt, la lampe de travail s'allumera. Relâchez l'interrupteur marche / arrêt pour éteindre la lampe de travail.



MISE EN GARDE: Ne regardez pas dans la lumière intense ni la source de lumière de façon directe.

CONSEILS DE FONCTIONNEMENT POUR VOTRE SCIE SAUTEUSE

Si votre scie sauteuse devient trop chaude, en particulier lorsqu'elle est utilisée à faible vitesse, réglez la vitesse au maximum et ne faites fonctionner sans charge pendant 2-3 minutes pour refroidir le moteur. Évitez une utilisation prolongée à très faible vitesse.

GÉNÉRAL

Utilisez toujours une lame adaptée au matériau et à l'épaisseur du matériau à couper. Assurez-vous toujours que la pièce à travailler est fermement maintenue ou serrée pour empêcher tout mouvement. Pour un contrôle plus facile, utilisez la vitesse lente pour commencer la coupe, puis augmentez pour atteindre la vitesse correcte.

Tout mouvement du matériau peut affecter la qualité de la coupe. La lame coupe sur la course ascendante et peut ébrécher la surface ou la face supérieure de la

pièce. Assurez-vous que votre surface supérieure est une surface invisible lorsque votre travail est terminé.

COUPE DES STRATIFIÉS

Utilisez une lame à dents fines lors de la coupe de la plupart des stratifiés et des matériaux en bois fins. Pour réduire l'écaillage des bords, serrez les morceaux de déchets de bois aux deux extrémités des deux côtés et coupez à travers les déchets de bois pendant la coupe.

COUPE DE CERCLE

N'utilisez pas l'action pendulaire lorsque vous coupez des cercles ou des angles serrés.

SCIAGE RAPIDE

La sciage rapide ne peut être utilisée que sur des matériaux tendres tels que le bois, le béton cellulaire, les plaques de plâtre, etc.

Utilisez uniquement des lames de scie courtes. Placer le bord du front de la plaque de base sur la pièce et mettre en marche. Appuyez fermement la machine contre la pièce et plongez lentement la lame de scie dans la pièce. Dès que la surface complète de la plaque de base repose sur la pièce à travailler, continuez de scier le long de la ligne de coupe. (Voir Fig. J1, J2)

COUPE DE MÉTAL

Utilisez une lame à dents plus fines pour les métaux ferreux et une lame à dents grossières pour les métaux non ferreux. Lors de la coupe de tôles fines, serrez toujours le bois des deux côtés de la tôle pour réduire les vibrations ou le déchirement de la tôle. Le bois et la tôle doivent tous être coupés. Ne forcez pas la lame de coupe lors de la coupe de métal mince ou de tôle d'acier car ce sont des matériaux plus durs et leur coupe prendra plus de temps.

Une force excessive de la lame peut réduire la durée de vie de la lame ou endommager le moteur. Pour réduire la chaleur pendant la coupe du métal, ajoutez un peu de lubrifiant le long de la ligne de coupe.

ENTRETIEN

Retirer le bloc-piles de l'outil avant d'effectuer tout ajustement, entretien ou maintenance.

Il ne comporte aucune pièce à réparer ou à entretenir par l'utilisateur. N'utilisez jamais de l'eau ou des nettoyants chimiques pour nettoyer l'outil. Essuyez-le avec un chiffon sec. Rangez toujours votre outil dans un endroit sec. Gardez propres les ouvertures de ventilation du moteur. Assurez-vous que les commandes soient exemptes de poussière. Si vous remarquez des étincelles dans les ouvertures de ventilation, ceci est normal et n'endommagera pas votre outil.

Pour les outils de la batterie

La plage de température ambiante pour l'utilisation et le stockage de l'outil et de la batterie est 32 à 113°F (0°C à 45°C).


La plage de température ambiante recommandée pour le système de charge pendant la charge est de 32 à 104°F (0°C à 40°C).

LISTA DE COMPONENTES

1. BOTÓN DE BLOQUEO
2. INTERRUPTOR ENCENDIDO / APAGADO
3. ÁREAS DEL MANGO
4. BOTÓN DE LIBERACIÓN DE LA BATERÍA*
5. PAQUETE DE BATERIA*
6. LLAVE DE PLACA SDS
7. ADAPTADOR DE POLVO
8. PLACA ANGULAR
9. PLACA BASE
10. PROTECCIÓN DE LA PLACA DE PLÁSTICA
11. CONTROL DE ACCIÓN PENDULAR
12. GUÍA DE RODILLOS
13. HOJA DE LA SIERRA
14. GUÍA PARALELA
15. PERILLA DE BLOQUEO
16. SOPORTE DE HOJA SIN HERRAMIENTAS
17. HERRAMIENTA DE PROTECCIÓN PARA DEDOS
18. PALANCA DE SOPORTE DE HOJA SIN HERRAMIENTAS
19. LUZ LED


* No todos los accesorios ilustrados o descritos se incluyen junto con el producto estándar.

SEGURIDAD DEL PRODUCTO


 **ADVERTENCIA:** El polvo originado por la utilización de herramientas motorizadas contiene químicos que, según el Estado de California, causan cáncer, defectos congénitos y otros daños reproductivos. Algunos ejemplos de esos productos químicos son:

- El plomo de las pinturas a base de plomo;
- La sílice cristalina de los ladrillos, del cemento y de otros productos de albañilería;
- El arsénico y el cromo de la madera tratada químicamente.

El riesgo que se corre a causa del contacto con esos productos varía según la frecuencia con que usted realice este tipo de trabajos. Con el fin de reducir su exposición a esas sustancias químicas: trabaje en un área bien ventilada; utilice un equipo de seguridad adecuado, tal como una máscara contra el polvo especialmente diseñada para filtrar partículas microscópicas.

 **ADVERTENCIA:** Este producto puede exponerlo a sustancias químicas, como plomo y di (2-etilhexilo) ftalato (DEHP), que el estado de California reconoce como causantes de cáncer y defectos de nacimiento u otros daños reproductivos. Para más información visite www.P65Warnings.ca.gov.

ADVERTENCIAS DE SEGURIDAD GENERALES PARA LA HERRAMIENTA MOTORIZADA

 **ADVERTENCIA:** Lea y comprenda todas las instrucciones. El no seguir todas las instrucciones a continuación puede ocasionar descargas eléctricas, incendios y/o heridas graves.

Conserve todas las advertencias e instrucciones para consulta futura.

El término "herramienta eléctrica" que figura en todas las advertencias que aparecen a continuación hace referencia a la herramienta que funciona con la red de suministro eléctrico (con cable) o a la herramienta eléctrica accionada a baterías (sin cable).

1) ÁREA DE TRABAJO

- Mantenga su lugar de trabajo limpio y bien iluminado.** Bancos de trabajo desordenados y lugares oscuros invitan a los accidentes.
- No utilice herramientas eléctricas en atmósferas explosivas, como por ejemplo en presencia de líquidos, inflamables, gases o polvo.** Las

herramientas eléctricas crean chispas que pueden encender el polvo o los vapores.

- Mantenga a los espectadores, niños y visitantes a una distancia prudente cuando esté utilizando una herramienta eléctrica.** Las distracciones pueden hacerle perder el control.

2) SEGURIDAD ELÉCTRICA

- Los enchufes de las herramientas eléctricas deben coincidir con el tomacorriente. No modifique de algún modo el enchufe. No utilice enchufes adaptadores con herramientas eléctricas conectadas a tierra.** Si no se modifican los enchufes y se utilizan los tomacorrientes adecuados, se reducirá el riesgo de una descarga eléctrica.
- Evite el contacto del cuerpo con las superficies conectadas a tierra tales como tuberías, radiadores, estufas de cocina y refrigeradores.** Existe mayor riesgo de que se produzcan descargas eléctricas si su cuerpo está conectado a tierra.
- No exponga las herramientas eléctricas a la lluvia ni a los ambientes húmedos.** La entrada de agua en una herramienta eléctrica aumenta el riesgo de que se produzcan descargas eléctricas.
- No abuse del cable. Nunca use el cable para transportar las herramientas ni para sacar el enchufe de un tomacorriente. Mantenga el cable alejado del calor, el aceite, los bordes afilados o las piezas móviles.** Los cables dañados aumentan el riesgo de que se produzcan descargas eléctricas.
- Cuando opere una herramienta eléctrica en exteriores, use un cable de extensión adecuado para uso en exteriores.** El uso de un cable adecuado para uso en exteriores reduce el riesgo de descargas eléctricas.
- Si operar una herramienta eléctrica en un lugar húmedo es inevitable, use un elemento protegido del dispositivo de corriente residual (RCD).** El uso de un RCD reduce el riesgo de descargas eléctricas.

3) SEGURIDAD PERSONAL

- Manténgase alerta, fíjese en lo que está haciendo y use el sentido común cuando utilice una herramienta eléctrica. No use la herramienta cuando esté cansado o se encuentre bajo la influencia de drogas, alcohol o medicamentos.** Un momento de distracción al utilizar herramientas eléctricas puede dar lugar a lesiones personales graves.
- Utilice equipo de seguridad. Use siempre protección ocular.** La utilización del equipo de seguridad como máscara antipolvo, zapatos de seguridad antideslizantes, casco o protección

auditiva para condiciones adecuadas reducirá el riesgo de lesiones personales.

- c) **Evite el arranque accidental. Asegúrese de que el interruptor esté en la posición de trabado o de apagado antes de instalar el paquete de baterías.** *Transportar herramientas con el dedo en el interruptor o instalar el paquete de batería cuando el interruptor está encendido invitan a los accidentes.*
- d) **Retire las llaves o claves de ajuste antes de encender la herramienta.** *Una llave o clave de ajuste dejada en una parte giratoria de la herramienta puede causar una lesión personal.*
- e) **No intente alcanzar demasiado lejos. Mantenga un apoyo de los pies y un equilibrio adecuados en todo momento.** *El apoyo de los pies y el equilibrio adecuados permiten un mejor control de la herramienta en situaciones inesperadas.*
- f) **Vístase apropiadamente. No se ponga ropa holgada ni joyas. Mantenga su cabello, ropa y guantes alejados de las piezas móviles.** *La ropa holgada, las joyas o el pelo largo pueden quedar atrapados en las piezas móviles.*
- g) **Si se proporcionan dispositivos para la extracción y recolección de polvo, asegúrese que estos estén conectados y utilizados correctamente.** *El uso de estos dispositivos puede reducir peligros relacionados con el polvo.*
- h) **No permita que la familiaridad obtenida a partir del uso frecuente de otras herramientas le permita volverse complaciente e ignorar los principios de seguridad de la herramienta.** *Una acción descuidada puede causar lesiones severas en una fracción de segundo.*

4) USO Y CUIDADO DE LA HERRAMIENTA

- a) **No fuerce la herramienta. Emplee la herramienta correcta para la aplicación que desea.** *La herramienta correcta hará el trabajo mejor y con más seguridad a la capacidad nominal para la que está diseñada.*
- b) **No utilice la herramienta si el interruptor no la enciende o apaga.** *Toda herramienta que no se pueda controlar con el interruptor es peligrosa y debe ser reparada.*
- c) **Desconecte la batería de la herramienta o ponga el interruptor en la posición de trabado o de apagado antes de hacer cualquier ajuste, cambio de accesorios o guardar la herramienta.** *Estas medidas de seguridad preventivas reducen el riesgo de encender la herramienta accidentalmente.*
- d) **Guarde las herramientas que no esté usando fuera del alcance de los niños y otras personas no capacitadas.** *Las herramientas son peligrosas en*

las manos de los usuarios no capacitados.

- e) **Mantenga las herramientas con cuidado. Compruebe la desalineación o el atasco de las piezas móviles, la ruptura de piezas y cualquier otra situación que pueda afectar el funcionamiento de las herramientas.** *Si la herramienta está dañada, hágala arreglar antes de usarla. Muchos accidentes son causados por herramientas mantenidas deficientemente.*
- f) **Conserve las herramientas de corte afiladas y limpias.** *Las herramientas mantenidas adecuadamente, con bordes de corte afilados, tienen menos probabilidades de atascarse y son más fáciles de controlar.*
- g) **Utilice la herramienta eléctrica, accesorios, brocas de la herramienta, etc. de acuerdo con estas instrucciones y de la manera adecuada para el tipo de herramienta eléctrica, teniendo en cuenta las condiciones de trabajo y el trabajo que se realizará.** *La utilización de la herramienta eléctrica para operaciones diferentes de aquellas para las que se encuentra diseñada podría dar lugar a una situación peligrosa.*
- h) **Mantenga las manijas y las superficies de sujeción secas, limpias y libres de aceite y grasa.** *Las manijas y superficies de sujeción resbaladizas no permiten el manejo y control seguros de la herramienta en situaciones inesperadas.*

5) UTILIZACIÓN Y CUIDADO DE LA HERRAMIENTA ACCIONADA A BATERÍAS

- a) **Una herramienta accionada a baterías que tenga baterías integradas o un paquete de baterías separado se debe recargar solamente con el cargador especificado para la batería.** *Un cargador que puede ser adecuado para un tipo de batería puede crear un peligro de incendio cuando se usa con otra batería.*
- b) **Utilice la herramienta accionada a baterías solamente con el paquete de baterías designado específicamente.** *El uso de cualquier otra batería puede crear un peligro de incendio.*
- c) **Cuando el paquete de baterías no se usa, manténgalo alejado de otros objetos metálicos como: sujetapapeles, monedas, clavos, tornillos u otros pequeños objetos de metal capaces de hacer una conexión entre los terminales.** *El cortocircuito de los terminales de una batería puede causar chispas, quemaduras o incendio.*
- d) **Bajo condiciones abusivas, la batería puede expulsar líquido; evite el contacto. Si ocurre un contacto accidental, enjuagar con agua. Si el líquido entra en contacto con los ojos, busque ayuda médica.** *El líquido expulsado por la batería*

puede causar irritación o quemaduras.

- e) **No use un paquete de batería o una herramienta que esté dañada o modificada.** *Las baterías dañadas o modificadas pueden presentar un comportamiento imprevisto que resulte en incendios, explosión o riesgo de lesiones.*
- f) **No exponga un paquete de batería o herramienta a fuego o temperatura excesiva.** *La exposición a fuego o temperatura mayor a 265°F (130 °C) pueden causar una explosión.*
- g) **Siga todas las instrucciones de carga y no cargue el paquete de batería o la herramienta fuera del rango de temperatura especificado en las instrucciones.** *Cargar inadecuadamente o en temperaturas fuera del rango especificado pueden dañar la batería e incrementar el riesgo de incendio.*

6) REPARACIÓN

- a) **La herramienta debe ser reparada por una persona calificada de servicio técnico y se deben utilizar partes de reemplazo idénticas.** *Esto asegurará el mantenimiento de la seguridad de la herramienta eléctrica.*
- b) **Nunca dé servicio a paquetes de batería dañados.** *El servicio de paquetes de batería sólo debe ser realizado por el fabricante o proveedores de servicio autorizados.*

ADVERTENCIAS DE SEGURIDAD DE SIERRA CALADORA

1. **Sostenga la sierra caladora por las superficies de sujeción aisladas, cuando realice una operación en la que el accesorio de corte pueda hacer contacto con cableado oculto.** *Si el accesorio de corte entra en contacto con un cable con corriente, puede que eso haga que las partes metálicas de la herramienta eléctrica que están al descubierto lleven corriente, lo cual podría causar una descarga eléctrica al operador.*
2. **Use abrazaderas u otro modo práctico de sujetar y soportar la pieza de trabajo en una plataforma estable.** *Si se sujeta la pieza de trabajo con la mano o contra el cuerpo, se crea una situación inestable que podría causar pérdida de control.*

ADVERTENCIAS GENERALES DE SEGURIDAD PARA LA BATERÍA

- a) **No desensamble, abra o triture el paquete de batería.**
- b) **No exponga el paquete de batería a calor o fuego.** Evite guardar a la luz directa del sol.
- c) **No ponga en corto circuito el paquete de batería. No guarde el paquete de batería de forma aleatoria en una caja o cajón donde puedan ponerse en corto circuito entre sí o ponerse en corto circuito por otros objetos metálicos.** *Cuando el paquete de batería no esté en uso, manténgalo alejado de otros objetos metálicos, como sujetadores de papel, monedas, llaves, clavos, tornillos u otros objetos metálicos pequeños que puedan establecer una conexión de una terminal a otra. El corto circuito de las terminales de la batería puede causar quemaduras o incendios.*
- d) **No retire el paquete de la batería de su empaque original hasta que se requiera para el uso.**
- e) **No someta el paquete de batería a impacto mecánico.**
- f) **En el caso de fuga de la batería, no permita que el líquido entre en contacto con la piel o los ojos. Si hay contacto, lave el área afectada con bastante agua y busque atención médica.**
- g) **Observe las marcas positiva (+) y negativa (-) en la parte posterior de la batería y el equipo para asegurar su uso correcto.**
- h) **No use ningún paquete de batería que no esté diseñado para uso con el equipo.**
- i) **Mantenga el paquete de batería fuera del alcance de los niños.**
- j) **Busque atención médica de inmediato si se ingiere una celda o una batería.**
- k) **Siempre adquiera el paquete de batería recomendado por el fabricante del dispositivo para el equipo.**
- l) **Mantenga el paquete de batería limpio y seco.**
- m) **Limpie las terminales del paquete de batería con una tela seca limpia su se ensucian.**
- n) **El paquete de batería se necesita cargar antes del uso. Siempre use el cargador correcto y consulte las instrucciones del fabricante o el manual del equipo para saber las instrucciones correctas de carga.**
- o) **No deje el paquete de batería en carga prolongada cuando no esté en uso.**
- p) **Después de periodos prolongados de almacenamiento, puede ser necesario cargar y descargar el paquete de batería varias veces para obtener el desempeño máximo.**
- q) **Recargue únicamente con el cargador especificado**

por Cat®. No use cargadores que no sean los específicamente suministrados para uso con el equipo.

- r) **Conserve la literatura del producto original para referencia futura.**
- s) **Sólo use el paquete de batería en la aplicación para la que está diseñado.**
- t) **Retire el paquete de batería del equipo cuando no esté en uso.**
- u) **Deséchelo adecuadamente.**
- v) **No mezcle celdas de diferente fabricación, capacidad, tamaño o tipo dentro del dispositivo.**

SÍMBOLOS



Para reducir el riesgo de lesiones, el usuario deberá leer el manual de instrucciones.



Use lentes de seguridad



Use protección auditiva



Use máscara contra el polvo



Advertencia



Li-Ion

Batería de iones de litio. La batería deberá reciclarse.



No arrojar al fuego



Las baterías pueden entrar al ciclo de agua si se desechan incorrectamente, lo que puede ser peligroso para el ecosistema. No deseche las baterías de desperdicio como desperdicio municipal sin clasificar.



call2recycle®

Cat® Inc. ha establecido una asociación con la empresa RBRC para el reciclaje de todas las baterías Cat® que posean el sello RBRC-call2recycle. Para contribuir con la protección del medio ambiente, no deseche las baterías como residuos normales. Después de que haya finalizado el ciclo de vida útil de la batería, comuníquese al 1-800-822-8837 para acceder al servicio gratuito.

DATOS TÉCNICOS

Tipo DX51 DX51B (51-designación de la maquinaria, representativa de la sierra de calar)

	DX51	DX51B
Voltaje	18V ==	
Velocidad sin carga	0-3500 /min	
Longitud de carrera	1" (26mm)	
Capacidad de biselado	±45°	
Capacidad de corte		
Madera	4-3/4" (120mm)	
PVC	25/32" (20mm)	
Acero	3/8" (10mm)	
Paquete de batería (DXB4)	4.0 Ah	/
Entrada del cargador (DXC4)	120V~60Hz, 95W	/
Salida del cargador (DXC4)	20 V == 4 A	/
Clase de protección del cargador	□/II	/
Peso	5.63 lbs (2.55 kg)	4.19 lbs (1.9 kg)

ACCESORIOS

	DX51	DX51B
Aspa de caladora de corte	1	1
Adaptador de aspirador	1	1
Guía paralela	1	1
Protección de placa de pie de plástico	1	1
Batería (DXB4)**	1	/
Cargador (DXC4)	1	/

Le recomendamos que compre todos los accesorios en la tienda donde adquirió la herramienta. Consulte el empaque de los accesorios para obtener más detalles. El personal de la tienda también puede ayudarle y aconsejarle.

Por favor tome nota de: Recomendamos encarecidamente los paquetes de baterías Cat[®] DXB4 (4Ah) / GXB5 (5Ah) para un rendimiento de trabajo máximo y un tiempo de ejecución prolongado. ** Comprado por separado.

ES

INSTRUCCIONES DE USO



NOTA: Antes de usar la herramienta, lea atentamente el manual de instrucciones.

POSIBLE USO

La máquina está diseñada para aserrar madera, plástico, metal y materiales de construcción mientras reposa firmemente sobre la pieza de trabajo. Es adecuado para cortes rectos y curvos con ángulos de bisel de 45 °. Se deben observar las recomendaciones de la hoja de sierra.

ANTES DE PONERLO EN FUNCIONAMIENTO

1. CARGUE SU PACK DE BATERÍAS (VER FIG. A)

2. CHECKING THE BATTERY POWER CONDITION. COMPROBACIÓN DEL ESTADO DE LA CARGA DE LA BATERÍA

Las 5 luces LED muestran el estado de la batería. Antes o después del uso, presione el botón próximo a las luces para verificar el estado de la batería.

ENSAMBLAJE

1. PARA RETIRAR O INSTALAR EL PACK DE BATERÍAS (VER FIG. B)

Presione el botón de liberación de la batería para liberarlo y deslice la batería fuera de su herramienta. Después de recargarlo, deslícelo nuevamente dentro de su herramienta. Simplemente presione suavemente y aplique una ligera presión antes de escuchar el clic.

2. MONTAJE DE LA HOJA DE LA SIERRA (VER FIG. C1, C2)

Gire la palanca del portacuchillas sin herramientas (Sierra de calar boca abajo) y manténgala en posición. Luego inserte completamente la cuchilla en la ranura del portacuchillas sin herramientas con los dientes de la cuchilla mirando hacia adelante y suelte la palanca del portacuchillas, que se sujetará sobre la parte superior de la cuchilla. Asegúrese de que el portacuchillas sin herramientas esté bloqueado en su lugar. Intente sacar la cuchilla del portacuchillas nuevamente para asegurarse de que esté bloqueada en su posición. El borde de la cuchilla se encuentra en la ranura de la guía de la cuchilla. Para quitar una cuchilla, gire nuevamente la palanca del portacuchillas sin herramientas y luego levántela.



ADVERTENCIA: LOS DIENTES DE LA CUCHILLA SON MUY AFLADOS. Para obtener los mejores resultados de corte, asegúrese de utilizar una cuchilla adecuada para el material y la calidad de corte que necesita.

3. GUÍA DE RODILLOS (VER FIG. D)

Asegúrese de que la cuchilla esté ubicada y funcione suavemente en la ranura; de lo contrario, la función pendular no funcionará correctamente y no se soportará la cuchilla durante el corte.

4. MONTAJE DE LA GUÍA PARALELA (VER FIG. E)

Deslice el brazo de guía paralelo a través de los dos accesorios del guía y apriete la tuerca de bloqueo (a) para alcanzar la distancia de corte requerida. La guía paralela se puede montar en dos posiciones como se muestra en la Fig. E.

5. TUBO DE POLVO (VER FIG. F)

Monte el tubo de polvo en la abertura de la placa base. Asegúrese de que la punta de plástico de la conexión al vacío se enganche en la abertura correspondiente de la carcasa como se muestra en la Fig. F.

OPERACIÓN

1. INTERRUPTOR DE ENCENDIDO / APAGADO DE SEGURIDAD (VER FIG. G)

El botón de bloqueo se puede bloquear en la posición OFF. Esto ayuda a reducir la posibilidad de un arranque accidental cuando no esté en uso. Presione el botón de bloqueo hacia la izquierda o hacia la derecha, luego el interruptor de encendido / apagado y suelte el botón de bloqueo.

Su interruptor está ahora encendido. Para apagar la herramienta, simplemente presione y suelte el interruptor de encendido/apagado.

2. CONTROL DE ACCIÓN PENDULAR (VER FIG. H)

La acción pendular varía el ángulo de corte hacia adelante de la cuchilla para una mayor eficiencia de corte. Esto también se puede ajustar durante la ejecución sin carga. Vea el paquete de accesorios para más información. No utilice una fuerza excesiva en la cuchilla cuando corte con la acción pendular. La cuchilla corta solo en el trazo ascendente.

Gráfico1	
0	Materiales delgados. Cortes finos. Curvas cerradas.
I	Materiales duros (por ejemplo, acero y aglomerado)
II	Materiales gruesos (por ejemplo, madera) y plástico.
III	Cortes rápidos (por ejemplo, madera blanda). Cortando en la dirección granural de la madera.

3. PLACA BASE

El ajuste del ángulo de la placa base permite el corte en bisel. La placa base siempre debe mantenerse firmemente contra los materiales que se cortan para reducir la vibración de la sierra, el salto o la rotura de la hoja.

4. AJUSTE DEL ÁNGULO DE LA PLACA BASE (VER FIG. I1-I3)

Su sierra caladora está equipada con la placa base SDS. Sujete la llave de placa SDS y tire hacia afuera para 90°. Sujete la placa base SDS y muévala un poco hacia atrás. Ahora la placa base se afloja y se puede girar hacia la izquierda o hacia la derecha hasta el ángulo deseado de acuerdo con la marca de escala del ángulo que se muestra en la placa angular. Mueva la placa base hacia adelante un poco hasta que los dientes de la placa angular coincidan exactamente con un pequeño bloque elevado. Vuelva a colocar la llave de placa SDS para bloquear la placa base SDS en el ángulo requerido. Verifique el ángulo y asegúrese de que la placa base esté firmemente sujeta.

Las marcas de escala del ángulo en la placa angular son precisas para la mayoría de los propósitos generales, pero se recomienda para un trabajo preciso establecer el ángulo con un transportador y hacer un corte de prueba en otro material.

5. PROTECCIÓN DE LOS DEDOS

La protección de los dedos se encuentra en frente del portacuchillas. Mientras trabaja, ayudará a evitar el contacto accidental con la cuchilla en movimiento.

6. ILUMINACIÓN DEL TRABAJO

Presione el interruptor de encendido / apagado, la luz de trabajo se iluminará. Suelte el interruptor de encendido / apagado para apagar.



PRECAUCIÓN: No mire a la fuente de luz directamente.

CONSEJOS DE TRABAJO PARA SU SIERRA DE CALAR

Si su sierra caladora se calienta demasiado, especialmente cuando se usa a baja velocidad, ajuste la velocidad al máximo y no ejecute la carga durante 2-3 minutos para enfriar el motor. Evite el uso prolongado a velocidades muy bajas.

GENERAL

Utilice siempre una cuchilla adecuada para el material y el grosor del material a cortar. Asegúrese siempre de que la pieza de trabajo esté firmemente sujeta o

afinado para evitar que se mueva. Para un control más fácil, use la velocidad baja para comenzar a cortar, luego aumente a la velocidad correcta. Cualquier movimiento del material puede afectar la calidad del corte. La cuchilla corta el trazo ascendente y puede astillar la superficie superior o la cara de la pieza de trabajo. Asegúrese de que su superficie superior sea una superficie no visible cuando termine su trabajo.

CORTES LAMINADOS

Use una cuchilla fina para cortar la mayoría de las láminas y materiales de madera delgados. Para reducir el astillado de los bordes, sujete las piezas de madera desechable a ambos extremos y lados y córtela durante el corte.

CORTE CIRCULAR

No utilice la acción pendular para cortes circulares o ángulos estrechos.

SIERRA DE PENETRACIÓN

El corte por inmersión solo se puede utilizar en materiales blandos como madera, hormigón celular, placas de yeso, etc.

Use solo hojas de sierra cortas. Coloque el borde frontal de la placa base en la pieza de trabajo y enciéndalo. Presione la máquina firmemente contra la pieza de trabajo y sumérla lentamente en la pieza de trabajo. Tan pronto como la superficie completa de la placa base descansa sobre la pieza de trabajo, continúe cortando a lo largo de la línea de corte. Vea la Fig. J1&J2

CORTE DE METALES

Use una cuchilla de diente más fino para metales ferrosos y una cuchilla de diente grueso para metales no ferrosos. Al cortar láminas metálicas delgadas, sujete siempre la madera en ambos lados de la lámina para reducir la vibración o el rasgado de la lámina metálica. Tanto la madera como la chapa deben cortarse. No fuerce la cuchilla al cortar metal delgado o chapa de acero, ya que son materiales más duros y tomarán más tiempo para cortar.

La fuerza excesiva de la cuchilla puede reducir la vida útil de la cuchilla o dañar el motor. Para reducir el calor durante el corte de metal, agregue un poco de lubricante a lo largo de la línea de corte.

MANTENIMIENTO

Retire el Paquete de la batería de la herramienta antes de realizar cualquier ajuste, servicio o mantenimiento.

No posee piezas en su interior que puedan ser reparadas por el usuario. Nunca emplee agua o productos químicos para limpiar su herramienta. Use simplemente un paño seco. Guarde siempre su herramienta en un lugar seco. Mantenga limpias las ranuras de ventilación del motor. Mantenga todos los controles de operación libres de polvo. La observación de chispas que destellan bajo las ranuras de ventilación, indica operación normal que no dañará su herramienta.

Para herramientas de batería

El rango de temperatura ambiente para uso y almacenamiento de la herramienta y la batería es de 32-113°F (0°C-45°C).

El rango de temperatura ambiente recomendado para el sistema de carga durante la carga es de 32-104°F (0°C-40°C).



www.catpowertools.com



©2021 Caterpillar. CAT, CATERPILLAR, their respective logos, "Caterpillar Yellow," the "Power Edge" trade dress as well as corporate and product identity used herein, are trademarks of Caterpillar and may not be used without permission. Positec Group Limited, a licensee of Caterpillar Inc