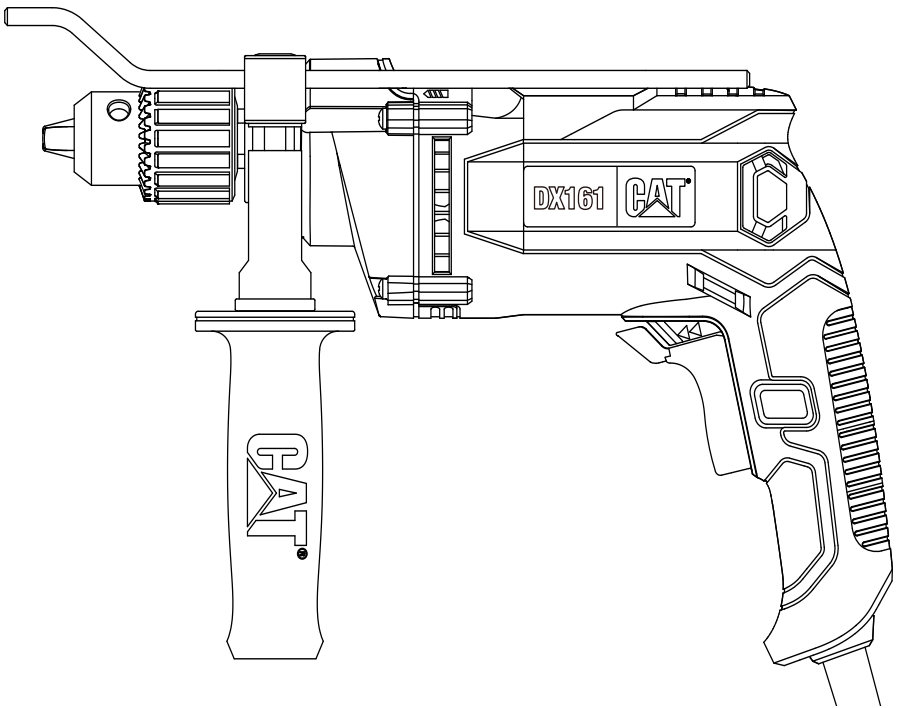




8.5 A

DX161U



1/2 IN.HAMMER DRILL

1/2 IN.HAMMER DRILL

1/2 IN.HAMMER DRILL

EN

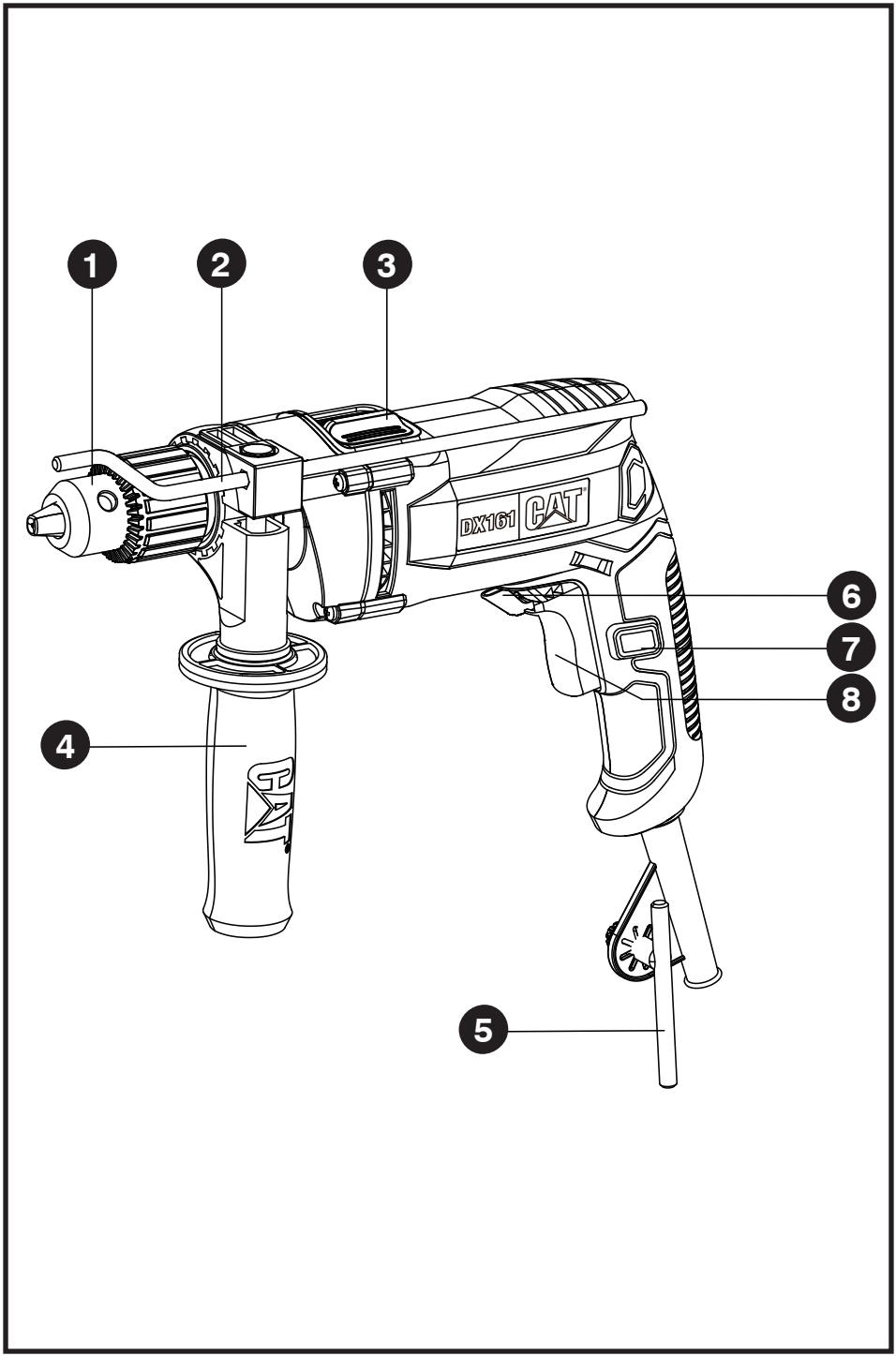
FR

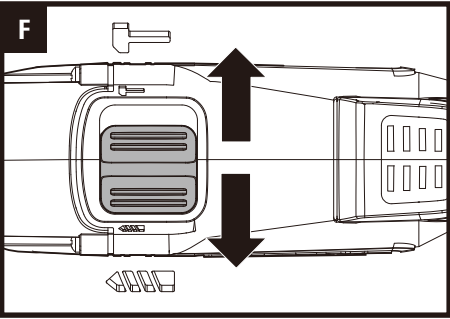
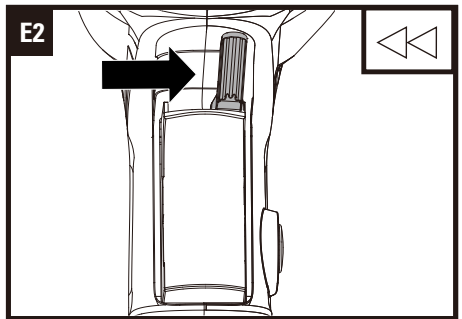
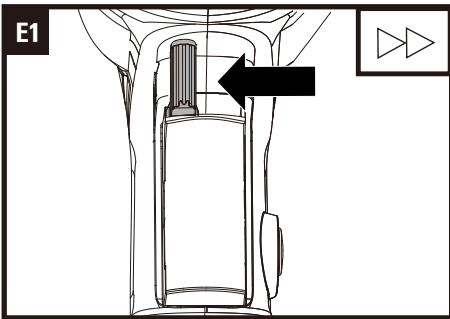
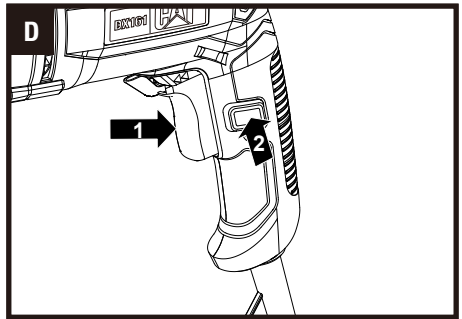
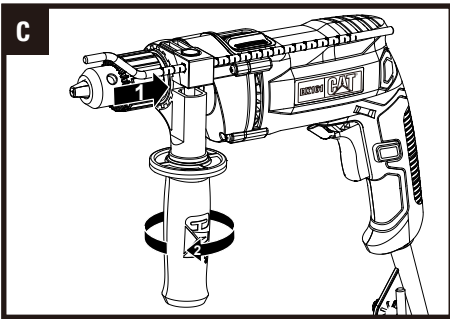
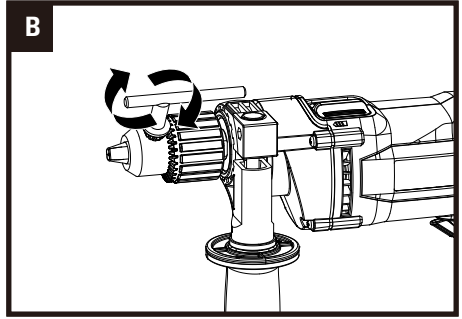
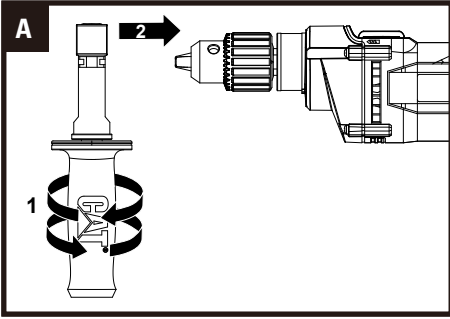
ES

P05

P10

P16






COMPONENT LIST

1. KEYED CHUCK
2. DEPTH GAUGE
3. DRILL/ HAMMER DRILL FUNCTION SELECTOR
4. AUXILIARY HANDLE
5. CHUCK KEY
6. FORWARD AND REVERSE ROTATION CONTROL LEVER
7. LOCK-ON BUTTON
8. ON/OFF SWITCH


Not all the accessories illustrated or described are included in standard delivery.

PRODUCT SAFETY


 **WARNING:** Some dust created by power sanding, sawing, grinding, drilling and other construction activities contains chemicals known to the State of California to cause cancer, birth defects or other reproductive harm. Some examples of these chemicals are:

- Lead from lead-based paints;
- Crystalline silica from bricks and cement and other masonry products;
- Arsenic and chromium from chemically-treated lumber.

Your risk from these exposures varies, depending on how often you do this type of work. To reduce your exposure to these chemicals: work in a well ventilated area, and work with approved safety equipment, such as those dust masks that are specially designed to filter out microscopic particles.

 **WARNING:** This product can expose you to chemicals including lead and Di(2-ethylhexyl) phthalate (DEHP) which are known to the State of California to cause cancer and birth defects or other reproductive harm. For more information go to www.P65Warnings.ca.gov.

GENERAL POWER TOOL SAFETY WARNINGS

 **WARNING** Read all safety warnings, instructions, illustrations and specifications provided with this power tool. Failure to follow all instructions listed below may result in electric shock, fire and/or serious injury.

Save all warnings and instructions for future reference.

The term "power tool" in the warnings refers to your mains-operated (corded) power tool or battery-operated (cordless) power tool.

- 1) **Work area safety**
 - a) **Keep work area clean and well lit.** Cluttered or dark areas invite accidents.
 - b) **Do not operate power tools in explosive atmospheres, such as in the presence of flammable liquids, gases or dust.** Power tools create sparks which may ignite the dust or fumes.
 - c) **Keep children and bystanders away while operating a power tool.** Distractions can cause you to lose control.
- 2) **Electrical safety**
 - a) **Power tool plugs must match the outlet. Never modify the plug in any way. Do not use any adapter plugs with earthed (grounded) power tools.** Unmodified plugs and matching outlets will reduce risk of electric shock.
 - b) **Avoid body contact with earthed or grounded surfaces, such as pipes, radiators, ranges and refrigerators.** There is an increased risk of electric shock if your body is earthed or grounded.
 - c) **Do not expose power tools to rain or wet conditions.** Water entering a power tool will increase the risk of electric shock.
 - d) **Do not abuse the cord. Never use the cord for carrying, pulling or unplugging the power tool. Keep cord away from heat, oil, sharp edges or moving parts.** Damaged or entangled cords increase the risk of electric shock.
 - e) **When operating a power tool outdoors, use an extension cord suitable for outdoor use.** Use of a cord suitable for outdoor use reduces the risk of electric shock.

f) **If operating a power tool in a damp location is unavoidable, use a residual current device (RCD) protected supply.** *Use of an RCD reduces the risk of electric shock.*

3) Personal safety

a) **Stay alert, watch what you are doing and use common sense when operating a power tool. Do not use a power tool while you are tired or under the influence of drugs, alcohol or medication.** *A moment of inattention while operating power tools may result in serious personal injury.*

b) **Use personal protective equipment. Always wear eye protection.** *Protective equipment such as dust mask, non-skid safety shoes, hard hat, or hearing protection used for appropriate conditions will reduce personal injuries.*

c) **Prevent unintentional starting. Ensure the switch is in the off-position before connecting to power source and/or battery pack, picking up or carrying the tool.** *Carrying power tools with your finger on the switch or energising power tools that have the switch on invites accidents.*

d) **Remove any adjusting key or wrench before turning the power tool on.** *A wrench or a key left attached to a rotating part of the power tool may result in personal injury.*

e) **Do not overreach. Keep proper footing and balance at all times.** *This enables better control of the power tool in unexpected situations.*

f) **Dress properly. Do not wear loose clothing or jewellery. Keep your hair and clothing away from moving parts.** *Loose clothes, jewellery or long hair can be caught in moving parts.*

g) **If devices are provided for the connection of dust extraction and collection facilities, ensure these are connected and properly used.** *Use of dust collection can reduce dust-related hazards.*

h) **Do not let familiarity gained from frequent use of tools allow you to become complacent and ignore tool safety principles.** *A careless action can cause severe injury within a fraction of a second.*

4) Power tool use and care

a) **Do not force the power tool. Use the correct power tool for your application.** *The correct power tool will do the job better and safer at the rate for which it was designed.*

b) **Do not use the power tool if the switch does not turn it on and off.** *Any power tool that cannot be controlled with the switch is dangerous and must be repaired.*

c) **Disconnect the plug from the power source and/ or remove the battery pack, if detachable, from**

the power tool before making any adjustments, changing accessories, or storing power tools. *Such preventive safety measures reduce the risk of starting the power tool accidentally.*

d) **Store idle power tools out of the reach of children and do not allow persons unfamiliar with the power tool or these instructions to operate the power tool.** *Power tools are dangerous in the hands of untrained users.*

e) **Maintain power tools and accessories. Check for misalignment or binding of moving parts, breakage of parts and any other condition that may affect the power tool's operation. If damaged, have the power tool repaired before use.** *Many accidents are caused by poorly maintained power tools.*

f) **Keep cutting tools sharp and clean.** *Properly maintained cutting tools with sharp cutting edges are less likely to bind and are easier to control.*

g) **Use the power tool, accessories and tool bits etc. in accordance with these instructions, taking into account the working conditions and the work to be performed.** *Use of the power tool for operations different from those intended could result in a hazardous situation.*

h) **Keep handles and grasping surfaces dry, clean and free from oil and grease.** *Slippery handles and grasping surfaces do not allow for safe handling and control of the tool in unexpected situations.*

5) Service

a) **Have your power tool serviced by a qualified repair person using only identical replacement parts.** *This will ensure that the safety of the power tool is maintained.*

DRILL SAFETY WARNINGS

1) Safety instructions for all operations

a) **Wear ear protectors when impact drilling.** *Exposure to noise can cause hearing loss.*

b) **Use auxiliary handle(s).** *Loss of control can cause personal injury.*

c) **Hold the power tool by insulated gripping surfaces, when performing an operation where the cutting accessory or fasteners may contact hidden wiring or its own cord.** *Cutting accessory or fasteners contacting a "live" wire may make exposed metal parts of the power tool "live" and could give the operator an electric shock.*

2) Safety instructions when using long drill bits

a) **Never operate at higher speed than the maximum**

speed rating of the drill bit. *At higher speeds, the bit is likely to bend if allowed to rotate freely without contacting the workpiece, resulting in personal injury.*

- b) Always start drilling at low speed and with the bit tip in contact with the workpiece.** *At higher speeds, the bit is likely to bend if allowed to rotate freely without contacting the workpiece, resulting in personal injury.*
- c) Apply pressure only in direct line with the bit and do not apply excessive pressure.** *Bits can bend causing breakage or loss of control, resulting in personal injury.*

SYMBOLS



To reduce the risk of injury, user must read instruction manual



Warning



Wear eye protection



Wear ear protection




Wear dust mask



Double insulation

TECHNICAL DATA

Type Designation DX161U (161- designation of machinery, representative of impact drill)

Voltage		120V~60Hz
Rated power		8.5 A
No load speed		0-3000 /min
Impact rate		0-48000bpm
Chuck capacity		1/2" (13mm)
Max. Drilling capacity	Steel	1/2" (13mm)
	Wood	1-3/8" (35mm)
	Masonry	3/4" (20mm)
Protection class		 /II
Machine weight		5.41 lbs (2.45 kg)

ACCESSORIES

Auxiliary handle	1
Chuck key	1
Depth gauge	1

We recommend that you purchase your accessories from the same store that sold you the tool. Refer to the accessory packaging for further details. Store personnel can assist you and offer advice.

OPERATING INSTRUCTIONS



NOTE: Before using the tool, read the instruction book carefully.

INTENDED USE

The machine is intended for impact drilling in brick, concrete and stone as well as for drilling in wood, metal and plastic.

ASSEMBLY

1. CLAMPING THE AUXILIARY HANDLE (SEE FIG. A)

Rotate the handgrip counter-clockwise to loosen the auxiliary handle.

Slide the auxiliary handle onto the drill and rotate to the desired working position. Rotate the handgrip clockwise to clamp the auxiliary handle. Always use the auxiliary handle in operation.



WARNING! ALWAYS CHECK AND ROTATE THE HANDLE TIGHTLY BEFORE USING TO AVOID ANY ACCIDENT.

2. INSERTING A TOOL INTO CHUCK(SEE FIG. B)

When mounting the drill bit, insert bit between the chuck jaws as far as it will go. Ensure drill bit is in the center of the chuck jaws. Using the chuck key provided, there are three holes in which the chuck key should be inserted. Tighten them equally in turn at each of the three holes, not just at one hole. Your drill bit is now locked in the chuck. The bit can be removed by reversing the above procedure.



WARNING! BEFORE INSTALLING ACCESSORY. DO NOT ATTEMPT TO TIGHTEN DRILL BITS (OR ANY OTHER ACCESSORY) BY GRIPPING THE REAR PART OF THE CHUCK AND TURNING THE TOOL ON. DAMAGE TO THE CHUCK AND PERSONAL INJURY MAY RESULT.

3. INSTALLING/ ADJUSTING THE DEPTH GAUGE (SEE FIG. C)

Rotating the handgrip counter-clockwise to loosen the auxiliary handle, and insert the depth gauge into the upper hole of auxiliary handle.

Slide the depth gauge until the distance between the depth gauge end and the drill bit end is equal to the depth of hole you wish to make.

Then clamp/fasten the depth gauge by rotating the handle clockwise.

4. ON/OFF SWITCH AND LOCK-ON BUTTON (SEE FIG. D)

Depress on/off switch then lock-on button, release on/off switch first and lock-on button second. Your switch is now locked on for continuous use.

To switch off your tool just depress and release the on/off switch.

This tool has a variable speed switch that delivers higher speeds with increased On/Off switch pressure or delivers lower speeds with reduced On/Off switch pressure - speed is controlled by varying the pressure applied to the switch.

5. FORWARD/REVERSE ROTATION CONTROL LEVER

For drilling use forward rotation marked “◀◀” (lever is moved to the left)(SEE FIG. E1). Only use reverse rotation marked “▶▶” (lever is moved to the right) (SEE FIG. E2) to release a jammed drill bit.



WARNING! NEVER CHANGE THE DIRECTION OF ROTATION WHEN THE TOOL IS ROTATING, WAIT UNTIL IT HAS STOPPED.



WARNING! NEVER MOVE THE FORWARD/ REVERSE ROTATION CONTROL LEVER WHILE THE DRILL IS IN OPERATION OR THE ON/OFF SWITCH IS LOCKED AS THIS WILL DAMAGE THE DRILL.

6. DRILL/ HAMMER DRILL FUNCTION SELECTOR (SEE FIG. F)

When drilling masonry and concrete choose the “T” position. When drilling wood, metal, plastic choose the “S” position.

WORKING HINTS FOR YOUR DRILL

1. DRILLING MASONRY AND CONCRETE

Select the drill/ hammer drill function selector to the “T” position. Tungsten carbide drill bits should always be used for drilling masonry, concrete etc with a high speed.

2. DRILLING IN METAL

When drilling in metal, select the drill operating mode. Use high speed steel twist drills or hole saws. Use a center punch to start the hole. Lubricate drill bits with cutting oil when drilling in iron or steel. Use a coolant when drilling in nonferrous metals such as copper, brass or aluminum. Back the material to prevent binding and distortion on breakthrough.

3. PILOT HOLES

When drilling a large hole in tough material (i.e. steel), we recommend drilling a small pilot hole first before using a large drill bit.

4. DRILLING TILES

Select the drill/ hammer drill function selector to the “S” position to drill the tile. When tile has been penetrated, switch over to “T” position.

5. COOL THE MOTOR

If your power tool becomes too hot, set the speed to maximum and run no load for 2-3 minutes to cool the motor.

MAINTENANCE

Remove the plug from the socket before carrying out any adjustment, servicing or maintenance.

Your power tool requires no additional lubrication or maintenance. There are no user serviceable parts in your power tool. Never use water or chemical cleaners to clean your power tool. Wipe clean with a dry cloth. Always store your power tool in a dry place. Keep the motor ventilation slots clean. Keep all working controls free of dust. Occasionally you may see sparks through the ventilation slots. This is normal and will not damage your power tool.


If the supply cord is damaged, it must be replaced by the manufacturer, its service agent or similarly qualified persons in order to avoid a hazard.

LISTE DES ÉLÉMENTS

1. MANDRIN À CLÉ
2. JAUGE DE PROFONDEUR
3. SÉLECTEUR DE FONCTION DE PERCEUSE / MARTEAU
4. POIGNÉE AUXILIAIRE
5. CLÉ DE MANDRIN
6. LEVIER DE COMMANDE DE ROTATION AVANT ET ARRIÈRE
7. BOUTON DE VERROUILLAGE
8. BOUTON ON / OFF

Les accessoires illustrés ou décrits ne sont pas tous compris dans le cadre de la livraison standard.


SÉCURITÉ DU PRODUIT

 **AVERTISSEMENT:** Certaines des poussières produites en utilisant des outils électriques sont considérées par l'État de Californie comme susceptibles de provoquer le cancer, des anomalies congénitales et d'autres problèmes de reproduction.


Voici des exemples de ces produits chimiques:

- Plomb issu de peinture à base de plomb;
- Silice cristalline issue de briques et du ciment et autres produits de maçonnerie;
- Arsenic et chrome issus de bois traité chimiquement.

Votre risque de ces expositions varie en fonction de la fréquence à laquelle vous effectuez ce travail. Pour réduire votre exposition à ces produits chimiques: travaillez dans une zone bien ventilée; portez un équipement de sécurité approuvé, tel que des masques anti poussières spécialement conçus pour éliminer les particules microscopiques par filtrage.

 **AVERTISSEMENT:** Ce dispositif peut vous exposer aux produits chimiques notamment le plomb et le di-phtalate (de 2-éthylhexyle) (DEHP) qui sont reconnus dans l'État de Californie comme causant des cancers et des anomalies congénitales ou d'autres anomalies de la reproduction. Pour en savoir plus, veuillez consulter le site www.P65Warnings.ca.gov.

AVERTISSEMENTS GÉNÉRAUX CONCERNANT LA SÉCURITÉ DES OUTILS ÉLECTRIQUES

 **AVERTISSEMENT:** Lisez et assimilez toutes les instructions. Le non-respect des instructions ci-après peut entraîner un risque de choc électrique, d'incendie et/ou de blessures graves.

Conservez tous les avertissements et instructions pour pouvoir les consulter ultérieurement.

L'expression « outil électrique » dans tous les avertissements énumérés ci-dessous se réfère à votre outil électrique fonctionnant sur secteur (branché) ou à batterie (sans-fil).

- 1) Aire de travail
 - a) Veillez à ce que l'aire de travail soit propre et bien éclairée. Le désordre et le manque de lumière favorisent les accidents.
 - b) N'utilisez pas d'outils électriques dans un milieu présentant un risque d'explosion, par exemple en présence de liquides, de gaz ou de poussières inflammables. Les outils électriques créent des étincelles qui pourraient enflammer les poussières ou les vapeurs.
 - c) Gardez à distance les curieux, les enfants et les visiteurs lorsque vous travaillez avec un outil électrique. Ils pourraient vous distraire et vous faire faire une fausse manoeuvre.
- 2) Sécurité électrique
 - a) Les fiches des outils électriques doivent correspondre aux prises murales. Ne jamais modifier la fiche de quelque façon que ce soit. Ne pas utiliser de fiches d'adaptation avec des outils électriques mis à la terre (mis à la masse). Des fiches non modifiées et des prises qui leur correspondent réduiront le risque de choc électrique.
 - b) Évitez tout contact corporel avec des surfaces mises à la terre (tuyauterie, radiateurs, cuisinières, réfrigérateurs, etc. Le risque de choc électrique est plus grand si votre corps est en contact avec la terre.
 - c) N'exposez pas les outils électriques à la pluie ou à l'eau. La présence d'eau dans un outil électrique augmente le risque de choc électrique.

- d) **Ne maltraitez pas le cordon. Ne transportez jamais l'outil par son cordon et ne débranchez jamais la fiche en tirant sur le cordon. N'exposez pas le cordon à la chaleur, à des huiles, à des arrêtes vives ou à des pièces en mouvement.** *Un cordon endommagé augmente le risque de choc électrique.*
- e) **Lorsque vous utilisez un outil électrique à l'extérieur, utilisez un prolongateur adapté à une utilisation en extérieur.** *L'utilisation d'un cordon adapté à une utilisation extérieure réduit le risque de choc électrique.*
- f) **Si vous devez utiliser un outil électrique dans un endroit humide, utilisez un dispositif de courant résiduel (RCD) d'alimentation protégée.** *L'utilisation d'un RCD réduit le risque de choc électrique.*
- 3) Sécurité des personnes**
- a) **Restez alerte, concentrez-vous sur votre travail et faites preuve de bon sens. N'utilisez pas un outil électrique si vous êtes fatigué ou sous l'influence de drogues, d'alcool ou de médicaments.** *Un instant d'inattention lors de l'utilisation d'outils électriques peut entraîner des blessures graves.*
- b) **Utilisez des accessoires de sécurité. Portez toujours une protection oculaire.** *De l'équipement de sécurité tel que le masque antipoussière, les chaussures de sécurité antidérapantes, des casques durs ou des protections antibruit utilisés dans des conditions appropriées réduiront les blessures corporelles.*
- c) **Évitez les démarrages accidentels. Avant d'insérer la batterie dans l'outil, assurez-vous que son interrupteur est en position « OFF » (Arrêt) ou verrouillée.** *Le fait de transporter un outil avec le doigt sur la détente/l'interrupteur ou d'insérer la batterie dans un outil dont la détente est en position « ON » (Marche) peut causer un accident.*
- d) **Retirez les clés de réglage avant de mettre l'outil sous tension.** *Une clé restée attachée à une partie mobile de l'outil pourrait entraîner des blessures corporelles.*
- e) **Ne vous penchez pas trop en avant. Maintenez un bon appui et restez en équilibre en tout temps.** *Une bonne stabilité vous permet de mieux réagir à une situation inattendue.*
- f) **Habillez-vous convenablement. Ne portez ni vêtements flottants ni bijoux. Gardez les cheveux, les vêtements et les gants éloignés des pièces en mouvement.** *Les vêtements flottants, les bijoux ou les cheveux longs risquent d'être happés par des pièces en mouvement.*
- g) **Si un sac de récupération de la poussière est fourni avec un connecteur pour aspirateur, assurez-vous qu'il est correctement relié et utilisé de façon appropriée.** *L'utilisation de ce système réduit les dangers physiques et physiologiques liés à la poussière.*
- h) **Ne laissez pas les habitudes acquises par une utilisation fréquente d'outils relâcher notre vigilance et ignorer les principes de sécurité des outils.** *Une utilisation négligente peut causer des blessures graves en une fraction de seconde.*
- 4) Utilisation et entretien de l'outil**
- a) **Ne forcez pas l'outil. Utilisez l'outil approprié à la tâche.** *L'outil approprié fonctionne mieux et de façon plus sécuritaire. Respectez aussi la vitesse de travail qui lui est propre.*
- b) **N'utilisez pas un outil si l'interrupteur ne le met pas en marche ou ne peut l'arrêter.** *Un outil qui ne peut être contrôlé par l'interrupteur est dangereux et doit être réparé.*
- c) **Débranchez la batterie de l'outil ou mettez son interrupteur en position « OFF » (Arrêt) ou « LOCKED » (Verrouillé) avant d'effectuer un réglage, de changer d'accessoire ou de ranger l'outil.** *De telles mesures de sécurité préventive réduisent le risque de démarrage accidentel de l'outil.*
- d) **Rangez les outils hors de portée des enfants et d'autres personnes inexpérimentées.** *Les outils sont dangereux dans les mains d'utilisateurs novices.*
- e) **Prenez soin de bien entretenir les outils. Soyez attentif à tout désalignement ou coincement des pièces en mouvement, à tout bris ou à toute autre condition préjudiciable au bon fonctionnement de l'outil.** *Si vous constatez qu'un outil est endommagé, faites-le réparer avant de vous en servir. De nombreux accidents sont causés par des outils en mauvais état.*
- f) **Les outils de coupe doivent être toujours bien affûtés et propres.** *Des outils bien entretenus, dont les arêtes sont bien tranchantes, sont moins susceptibles de se coincer et plus faciles à contrôler.*
- g) **Utilisez l'outil électrique, les accessoires et les forets etc., en conformité avec ces instructions et de la manière conçue pour le type particulier d'outil électrique, prend en compte les conditions de travail et le travail qui doit être accompli.** *L'emploi de l'outil électrique pour des opérations différentes de celles pour lesquelles il a été conçu pourrait entraîner une situation dangereuse.*
- h) **Maintenez les poignées et les surfaces de prise sèches, propres et exemptes d'huile et de graisse.** *Des poignées et surfaces de prise glissantes ne permettent pas une manipulation et un contrôle sécurisés de l'outil dans des situations inattendues.*

5) Entretien

- a) **Ayez votre outil électrique entretenu par un réparateur agréé n'utilisant que des pièces de rechange identiques.** *Cela assurera que la sécurité de l'outil électrique est maintenue.*

AVERTISSEMENTS DE SÉCURITÉ DE FORAGE

1) Instructions de sécurité pour toutes opérations

- a) **Portez des protections auditives lorsque vous utilisez la perceuse à percussion.** *L'exposition au bruit peut entraîner une perte auditive.*
- b) **Utilisez des poignées auxiliaires, si elles sont fournies avec l'outil.** *Une perte de contrôle pourrait entraîner des blessures.*
- c) **Lors de l'exécution d'une opération au cours de laquelle l'outil de coupe peut venir en contact avec les fils cachés, tenez l'outil par ses surfaces isolées de préhension.** *Le contact avec un fil sous tension rendra les pièces métalliques exposées de l'outil sous tension et causera des chocs à l'opérateur.*

2) Instructions de sécurité lorsque l'utilisation de forets long

- a) **Ne jamais fonctionner à une vitesse supérieure à la vitesse maximale autorisée du foret.** *À des vitesses plus élevées, le foret risque de se plier s'il est autorisé à tourner librement sans toucher la pièce, entraînant des blessures corporelles.*
- b) **Commencez toujours le forage à basse vitesse avec la pointe du trépan tout en contactant la pièce.** *À des vitesses plus élevées, le foret risque de se plier s'il est autorisé à tourner librement sans toucher la pièce, entraînant des blessures corporelles.*
- c) **Appliquez la pression uniquement en ligne directe avec le foret et ne pas appliquer de pression excessive.** *Les forages peuvent se plier et provoquent une rupture ou une perte de contrôle, entraînant des blessures.*

SYMBOLES



Afin de réduire les risques de blessure, l'utilisateur doit lire ce mode d'emploi.



Avertissement



Portez un protecteur oculaire



Portez une protection auditive



Portez un masque anti poussières



Double isolation

DONNÉES TECHNIQUES

Type de désignation DX161U (161 - désignations de machines, représentatives du marteau)

Tension		120V~60Hz
Puissance nominale		8.5 A
Vitesse à vide		0-3000 /min
Taux d'impact		0-48000bpm
Calibre du mandrin		1/2" (13mm)
Diamètres de perçage max	Acier	1/2" (13mm)
	Bois	1-3/8" (35mm)
	Béton	3/4" (20mm)
Classe de protection		□/II
Poids de la machine		5.41 lbs (2.45 kg)

ACCESSOIRES

Poignée auxiliaire	1
Clé de mandrin	1
Jauge de profondeur	1

Nous vous recommandons d'acheter tous vos accessoires du même magasin qui vous a vendu l'outil. Pour de plus amples renseignements, consultez l'emballage de l'accessoire. Le personnel du magasin peut également vous conseiller.

FR

INSTRUCTIONS D'UTILISATION



REMARQUE: Avant d'utiliser cet outil, assurez-vous de lire attentivement le manuel d'utilisation.

UTILISATION PRÉVUE

La machine est destinée au perçage à percussion dans la brique, le béton et la pierre ainsi qu'au perçage dans le bois, le métal et le plastique.

ASSEMBLAGE

1. SERRAGE DE LA POIGNÉE AUXILIAIRE (VOIR FIG. A)

Tournez la poignée dans le sens antihoraire pour desserrer la poignée auxiliaire.

Faites glisser la poignée sur la perceuse et tournez-la jusqu'à la position de travail souhaitée. Tournez la poignée dans le sens horaire pour serrer la poignée auxiliaire. Utilisez toujours la poignée auxiliaire pendant le fonctionnement.



AVERTISSEMENT! VÉRIFIEZ ET TOURNEZ TOUJOURS FERMEMENT LA POIGNÉE AVANT L'UTILISATION POUR ÉVITER TOUT ACCIDENT.

2. INSÉRER UN OUTIL DANS LE MANDRIN (VOIR FIG. B)

Pour monter la mèche, insérez-la entre les mors du mandrin aussi loin que possible. Assurez-vous que la mèche se trouve au centre des mors du mandrin. Vous devez insérer la clé de mandrin fournie dans trous dans le mandrin. Serrez à force égale chacun des trois trous, pas seulement un. Votre mèche est à présent immobilisée dans le mandrin. Vous pouvez la retirer en inversant la procédure ci-dessus.



AVERTISSEMENT! AVANT D'INSTALLER L'ACCESSOIRE. N'ESSAYEZ PAS DE SERRER LES MÈCHES (OU TOUT AUTRE ACCESSOIRE) EN SAISSANT LA PARTIE ARRIÈRE DU MANDRIN ET EN METTANT L'OUTIL EN MARCHÉ. CELA POURRAIT ENDOMMAGER LE MANDRIN ET PROVOQUER DES BLESSURES.

3. INSTALLATION / RÉGLAGE DE LA JAUGE DE PROFONDEUR (VOIR FIG. C)

Tournez la poignée dans le sens antihoraire pour desserrer la poignée auxiliaire et insérez la jauge de profondeur dans le trou supérieur de la poignée auxiliaire.

Faites glisser la jauge de profondeur jusqu'à ce que la distance entre son extrémité et celle du foret soit égale à la profondeur du trou / de la vis que vous souhaitez faire.

Serrez ensuite la jauge de profondeur en tournant la poignée dans le sens des aiguilles d'une montre.

4. INTERRUPTEUR MARCHÉ / ARRÊT ET BOUTON DE VERROUILLAGE (VOIR FIG. D)


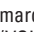
Appuyez sur l'interrupteur marche / arrêt puis sur le bouton de verrouillage, relâchez d'abord l'interrupteur marche / arrêt et puis le bouton de verrouillage.

Votre interrupteur est maintenant verrouillé pour une utilisation continue.

Pour éteindre votre outil, appuyez et relâchez simplement l'interrupteur marche / arrêt.

Cet outil a un interrupteur à vitesse variable qui fournit des vitesses plus élevées avec une pression de commutation On / Off forte ou des vitesses plus faibles avec une pression de commutation On / Off réduite - la vitesse est contrôlée en faisant varier la pression appliquée à l'interrupteur.

5. LEVIER DE COMMANDE DE ROTATION AVANT / ARRIÈRE

Pour le perçage, utilisez une rotation vers l'avant marquée «  » (le levier est déplacé vers la gauche) (VOIR FIG. E1). Utilisez uniquement la rotation inverse marquée «  » (le levier est déplacé vers la droite) (VOIR FIG. E2) pour libérer un foret coincé.

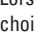



AVERTISSEMENT! NE CHANGEZ JAMAIS LA DIRECTION DE LA ROTATION LORSQUE L'OUTIL TOURNE, ATTENDEZ JUSQU'À CE QU'IL SOIT ARRÊTÉ.



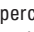
AVERTISSEMENT! NE JAMAIS DÉPLACER LE LEVIER DE COMMANDE DE ROTATION AVANT / ARRIÈRE PENDANT QUE LA PERCEUSE EST EN FONCTIONNEMENT OU QUE L'INTERRUPTEUR DE MARCHÉ / ARRÊT EST VERROUILLÉ, CAR CELA ENDOMMAGERA LA PERCEUSE.

6. SÉLECTEUR DE FONCTION DE FORAGE / MARTEAU (VOIR FIG. F)

Lorsque vous percez de la maçonnerie et du béton, choisissez la position «  ». Lorsque vous percez du bois, du métal, du plastique, choisissez la position «  ».

CONSEILS DE TRAVAIL POUR VOTRE PERCEUSE

1. FORAGE MAÇONNERIE ET BÉTON

Sélectionnez le sélecteur de fonction de perceuse / perceuse à percussion à «  » position. Les forets en carbure de tungstène doivent toujours être utilisés pour percer la maçonnerie, le béton, etc. à grande vitesse.

2. PERCER DU MÉTAL

Lorsque vous percez du métal, sélectionnez le mode de fonctionnement de perceuse.



Utilisez des forets hélicoïdaux en acier à grande vitesse ou des scies à trous. Utilisez un poinçon central pour

démarrer le trou. Lubrifiez les forets avec de l'huile de coupe pour percer du fer ou de l'acier. Utilisez un liquide de refroidissement lorsque vous percez dans des métaux non ferreux tels que du cuivre, du laiton ou de l'aluminium. Supportez le matériau pour l'empêcher de se plier et se tordre pendant le perçage.

3. TROUS PILOTES

Lorsque vous percez un grand trou dans un matériau dur (c'est-à-dire en acier), nous vous recommandons de percer un petit trou pilote avant d'utiliser un grand foret.

4. PERÇAGE DE CARREAU

Sélectionnez le sélecteur de fonction de perceuse / perceuse à percussion à «» position. Lorsque le carreau a été pénétré, passez en position «».

5. REFROIDISSEZ LE MOTEUR

Si votre outil électrique surchauffe, réglez la vitesse au maximum et faites fonctionner sans aucune charge pendant 2-3 minutes pour refroidir le moteur.

ENTRETIEN

Retirez la prise avant d'effectuer tout réglage, entretien ou maintenance.


Votre outil électrique ne nécessite aucune lubrification ou maintenance supplémentaire. Votre outil électrique ne contient aucune pièce réparable par l'utilisateur. N'utilisez jamais d'eau ou de produits chimiques pour nettoyer votre outil électrique. Essuyer avec un chiffon sec. Rangez toujours votre outil électrique dans un endroit sec. Les fentes de ventilation du moteur doivent être propres. Éviter les poussière sur toutes les commandes de travail. Parfois, vous pouvez voir des étincelles à travers les fentes de ventilation. Ceci est normal et n'endommagera pas votre outil électrique. Si le cordon d'alimentation est endommagé, il doit être remplacé par le fabricant, son agent de service ou des personnes de qualification similaire afin d'éviter tout danger.

LISTA DE COMPONENTES

1. MANDRIL CON LLAVE
2. MEDIDOR DE PROFUNDIDAD
3. SELECTOR DE FUNCIONES DEL TALADRO / MARTILLO
4. MANGO AUXILIAR
5. LLAVE DE MANDRIL
6. CONTROL DE ROTACIÓN HACIA DELANTE Y HACIA DETRÁS
7. BOTÓN DE BLOQUEO
8. INTERRUPTOR ENCENDIDO / APAGADO


No todos los accesorios ilustrados o descritos se incluyen junto con el producto estándar.

SEGURIDAD DEL PRODUCTO


 **ADVERTENCIA:** El polvo originado por la utilización de herramientas motorizadas contiene químicos que, según el Estado de California, causan cáncer, defectos congénitos y otros daños reproductivos. Algunos ejemplos de esos productos químicos son:

- El plomo de las pinturas a base de plomo;
- La sílice cristalina de los ladrillos, del cemento y de otros productos de albañilería;
- El arsénico y el cromo de la madera tratada químicamente.

El riesgo que se corre a causa del contacto con esos productos varía según la frecuencia con que usted realice este tipo de trabajos. Con el fin de reducir su exposición a esas sustancias químicas: trabaje en un área bien ventilada; utilice un equipo de seguridad adecuado, tal como una máscara contra el polvo especialmente diseñada para filtrar partículas microscópicas.

 **ADVERTENCIA:** Este producto puede exponerlo a sustancias químicas, como plomo y di (2-etilhexilo) ftalato (DEHP), que el estado de California reconoce como causantes de cáncer y defectos de nacimiento u otros daños reproductivos. Para más información visite www.P65Warnings.ca.gov.

ADVERTENCIAS DE SEGURIDAD GENERALES PARA LA HERRAMIENTA MOTORIZADA

 **ADVERTENCIA!** Lea y comprenda todas las instrucciones. El no seguir todas las instrucciones a continuación puede ocasionar descargas eléctricas, incendios y/o heridas graves.

Conserve todas las advertencias e instrucciones para consulta futura.

El término “herramienta eléctrica” que figura en todas las advertencias que aparecen a continuación hace referencia a la herramienta que funciona con la red de suministro eléctrico (con cable) o a la herramienta eléctrica accionada a baterías (sin cable).

1) Área de trabajo

- a) Mantenga su lugar de trabajo limpio y bien iluminado. Bancos de trabajo desordenados y lugares oscuros invitan a los accidentes.
- b) No utilice herramientas eléctricas en atmósferas explosivas, como por ejemplo en presencia de líquidos, inflamables, gases o polvo. Las herramientas eléctricas crean chispas que pueden encender el polvo o los vapores.
- c) Mantenga a los espectadores, niños y visitantes a una distancia prudente cuando esté utilizando una herramienta eléctrica. Las distracciones pueden hacerle perder el control.

2) Seguridad eléctrica

- a) Los enchufes de las herramientas eléctricas deben coincidir con el tomacorriente. No modifique de algún modo el enchufe. No utilice enchufes adaptadores con herramientas eléctricas conectadas a tierra. Si no se modifican los enchufes y se utilizan los tomacorrientes adecuados, se reducirá el riesgo de una descarga eléctrica.
- b) Evite el contacto del cuerpo con las superficies conectadas a tierra tales como tuberías, radiadores, estufas de cocina y refrigeradores. Existe mayor riesgo de que se produzcan descargas eléctricas si su cuerpo está conectado a tierra.
- c) No exponga las herramientas eléctricas a la lluvia ni a los ambientes húmedos. La entrada de agua en una herramienta eléctrica aumenta el riesgo de que se produzcan descargas eléctricas.

- d) **No abuse del cable. Nunca use el cable para transportar las herramientas ni para sacar el enchufe de un tomacorriente. Mantenga el cable alejado del calor, el aceite, los bordes afilados o las piezas móviles. Los cables dañados aumentan el riesgo de que se produzcan descargas eléctricas.**
- e) **Cuando opere una herramienta eléctrica en exteriores, use un cable de extensión adecuado para uso en exteriores. El uso de un cable adecuado para uso en exteriores reduce el riesgo de descargas eléctricas.**
- f) **Si operar una herramienta eléctrica en un lugar húmedo es inevitable, use un elemento protegido del dispositivo de corriente residual (RCD). El uso de un RCD reduce el riesgo de descargas eléctricas.**
- 3) Seguridad personal**
- a) **Manténgase alerta, fíjese en lo que está haciendo y use el sentido común cuando utilice una herramienta eléctrica. No use la herramienta cuando esté cansado o se encuentre bajo la influencia de drogas, alcohol o medicamentos. Un momento de distracción al utilizar herramientas eléctricas puede dar lugar a lesiones personales graves.**
- b) **Utilice equipo de seguridad. Use siempre protección ocular. La utilización del equipo de seguridad como máscara antipolvo, zapatos de seguridad antideslizantes, casco o protección auditiva para condiciones adecuadas reducirá el riesgo de lesiones personales.**
- c) **Evite el arranque accidental. Asegúrese de que el interruptor esté en la posición de trabado o de apagado antes de instalar el paquete de baterías. Transportar herramientas con el dedo en el interruptor o instalar el paquete de batería cuando el interruptor está encendido invitan a los accidentes.**
- d) **Retire las llaves o claves de ajuste antes de encender la herramienta. Una llave o clave de ajuste dejada en una parte giratoria de la herramienta puede causar una lesión personal.**
- e) **No intente alcanzar demasiado lejos. Mantenga un apoyo de los pies y un equilibrio adecuados en todo momento. El apoyo de los pies y el equilibrio adecuados permiten un mejor control de la herramienta en situaciones inesperadas.**
- f) **Vístase apropiadamente. No se ponga ropa holgada ni joyas. Mantenga su cabello, ropa y guantes alejados de las piezas móviles. La ropa holgada, las joyas o el pelo largo pueden quedar atrapados en las piezas móviles.**
- g) **Si se proporcionan dispositivos para la extracción y recolección de polvo, asegúrese que estos estén conectados y utilizados correctamente. El uso de estos dispositivos puede reducir peligros relacionados con el polvo.**
- h) **No permita que la familiaridad obtenida a partir del uso frecuente de otras herramientas le permita volverse complaciente e ignorar los principios de seguridad de la herramienta. Una acción descuidada puede causar lesiones severas en una fracción de segundo.**
- 4) Uso y cuidado de la herramienta**
- a) **No fuerce la herramienta. Emplee la herramienta correcta para la aplicación que desea. La herramienta correcta hará el trabajo mejor y con más seguridad a la capacidad nominal para la que está diseñada.**
- b) **No utilice la herramienta si el interruptor no la enciende o apaga. Toda herramienta que no se pueda controlar con el interruptor es peligrosa y debe ser reparada.**
- c) **Desconecte la batería de la herramienta o ponga el interruptor en la posición de trabado o de apagado antes de hacer cualquier ajuste, cambio de accesorios o guardar la herramienta. Estas medidas de seguridad preventivas reducen el riesgo de encender la herramienta accidentalmente.**
- d) **Guarde las herramientas que no esté usando fuera del alcance de los niños y otras personas no capacitadas. Las herramientas son peligrosas en las manos de los usuarios no capacitados.**
- e) **Mantenga las herramientas con cuidado. Compruebe la desalineación o el atasco de las piezas móviles, la ruptura de piezas y cualquier otra situación que pueda afectar el funcionamiento de las herramientas. Si la herramienta está dañada, hágala arreglar antes de usarla. Muchos accidentes son causados por herramientas mantenidas deficientemente.**
- f) **Conserve las herramientas de corte afiladas y limpias. Las herramientas mantenidas adecuadamente, con bordes de corte afilados, tienen menos probabilidades de atascarse y son más fáciles de controlar.**
- g) **Utilice la herramienta eléctrica, accesorios, brocas de la herramienta, etc. de acuerdo con estas instrucciones y de la manera adecuada para el tipo de herramienta eléctrica, teniendo en cuenta las condiciones de trabajo y el trabajo que se realizará. La utilización de la herramienta eléctrica para operaciones diferentes de aquellas para las que se encuentra diseñada podría dar lugar a una situación peligrosa.**
- h) **Mantenga las manijas y las superficies de sujeción secas, limpias y libres de aceite y grasa. Las**

manijas y superficies de sujeción resbaladizas no permiten el manejo y control seguros de la herramienta en situaciones inesperadas.

5) Reparación

- a) **La herramienta debe ser reparada por una persona calificada de servicio técnico y se deben utilizar partes de reemplazo idénticas.** Esto asegurará el mantenimiento de la seguridad de la herramienta eléctrica.

ADVERTENCIAS DE SEGURIDAD PARA LA PERFORACIÓN

1) Instrucciones de seguridad para todas las operaciones

- a) **Use protección auditiva al utilizar el taladro de impacto.** La exposición al ruido puede causar la pérdida de la audición.
- b) **La exposición al ruido puede causar pérdida auditiva.** La pérdida de control puede causar lesiones personales.
- c) **Sujete la herramienta por las áreas de agarre aisladas cuando realice una operación en la que la herramienta de corte pueda entrar en contacto con cables ocultos o con su propio cable.** El contacto con un cable que tenga corriente hará que ésta pase a las partes metálicas descubiertas de la herramienta y que el operador reciba descargas eléctricas.
- ### 2) Instrucciones de seguridad al usar brocas largas.
- a) **Nunca opere a una velocidad mayor que la capacidad máxima de velocidad de la broca.** A velocidades más altas, es probable que la broca se doble si se permite que gire libremente sin tocar la pieza de trabajo, lo que ocasiona lesiones personales.
- b) **Siempre comience a perforar a baja velocidad y con la punta de la broca en contacto con la pieza de trabajo.** A velocidades más altas, es probable que la broca se doble si se permite que gire libremente sin tocar la pieza de trabajo, lo que ocasiona lesiones personales.
- c) **Aplique presión solo en línea directa con la broca y no aplique presión excesiva.** Los bits pueden doblarse causando rotura o pérdida de control, lo que resulta en lesiones personales.

SÍMBOLOS



Para reducir el riesgo de lesiones, el usuario deberá leer el manual de instrucciones.



Advertencia



Use lentes de seguridad



Use protección auditiva




Use máscara contra el polvo



Doble aislamiento

DATOS TÉCNICOS

Tipo de designación DX161U (161 - nombre de mecánico, representante de taladro)

Voltaje		120V~60Hz
Potencia nominal		8.5 A
Velocidad sin carga		0-3000 /min
Tasa de impacto		0-48000bpm
Capacidad del porta brocas		1/2" (13mm)
Capacidad de perforación	Acero	1/2" (13mm)
	Madera	1-3/8" (35mm)
	Hormigón	3/4" (20mm)
Clase de protección del cargador		 /II
Peso de la máquina		5.41 lbs (2.45 kg)

ACCESORIOS

Mango auxiliar	1
Llave de mandril	1
Medidor de profundidad	1

Le recomendamos que compre sus accesorios en la misma tienda que le vendió la herramienta. Consulte el empaque de los accesorios para obtener más detalles. El personal de la tienda también puede ayudarle y aconsejarle.

ES

INSTRUCCIONES DE USO



NOTA: Antes de usar la herramienta, lea atentamente el manual de instrucciones.

POSIBLE USO

La máquina está diseñada para introducir y aflojar tornillos, así como para taladrar en madera, metal y plástico.

ENSAMBLAJE

1. SUJETANDO EL MANGO AUXILIAR (VER FIG. A)

Gire la empuñadura en sentido contrario a las agujas del reloj para aflojar el mango auxiliar.

Deslice el mango sobre el taladro y gire a la posición de trabajo deseada. Gire la empuñadura en el mismo sentido que las agujas del reloj para sujetar la manija auxiliar. Utilice siempre el asa auxiliar.



ADVERTENCIA! SIEMPRE COMPRUEBE Y GIRE EL MANGO APRETÁNDOLO ANTES DE SU USO PARA EVITAR CUALQUIER ACCIDENTE.

2. INSERTAR UNA BROCA EN EL MANDRIL (VER FIG. B)

Al montar la broca, inserte la broca en las abrazaderas del portabroca hasta donde sea posible. Asegúrese de que la broca esté en el centro de las abrazaderas del portabroca. Usando la llave de sujeción provista, inserte la llave en cada uno de los tres agujeros de llave en el mandril y gírelo para apretarlo. Esto debe completarse para cada agujero. Su broca ahora está bloqueada en el mandril. La broca se puede retirar invirtiendo el procedimiento anterior.



ADVERTENCIA! ANTES DE INSTALAR EL ACCESORIO. NO INTENTE APRETAR LAS BROCAS (NI NINGÚN OTRO ACCESORIO) AGARRANDO LA PARTE POSTERIOR DEL PORTABROCAS Y ENCENDIENDO LA HERRAMIENTA. SE PUEDEN DAÑAR EL PORTABROCAS Y CAUSAR LESIONES PERSONALES.

3. INSTALACIÓN / AJUSTE DEL MEDIDOR DE PROFUNDIDAD (VER FIG. C)

Gire la empuñadura en el mismo sentido a las agujas del reloj para aflojar el mango auxiliar e inserte el medidor de profundidad en el orificio superior del mango.

Deslice el medidor de profundidad hasta que la distancia entre el extremo del medidor de profundidad y el extremo de la broca sea igual a la profundidad del agujero/tornillo que desea realizar.

A continuación, sujete el medidor de profundidad girando la manija en el mismo sentido que las agujas del reloj.

4. INTERRUPTOR DE ENCENDIDO / APAGADO Y BOTÓN DE BLOQUEO (VER FIG. D)

Presione el interruptor de encendido/apagado y luego el botón de bloqueo suelte primero el interruptor de encendido/apagado y el botón de bloqueo en segundo lugar. El interruptor ahora está bloqueado para uso continuo.

Para apagar la herramienta, simplemente presione y suelte el interruptor de encendido/apagado.

Esta herramienta tiene un interruptor de velocidad variable que ofrece velocidades más altas con una mayor presión del interruptor de encendido / apagado o velocidades más bajas con una presión reducida del interruptor de encendido / apagado: la velocidad se controla variando la presión aplicada al interruptor.

5. PALANCA DE CONTROL DE ROTACIÓN HACIA ADELANTE / REVERSO

Para taladrar, utilice la rotación hacia adelante marcada con "◀◀" (la palanca se mueve hacia la izquierda) (VER FIG. E1) la rotación inversa marcada "▶▶" (la palanca se mueve hacia la derecha) (VER FIG. E2) para liberar una broca atascada.



ADVERTENCIA! NUNCA CAMBIE LA DIRECCIÓN DE ROTACIÓN MIENTRAS LA HERRAMIENTA ESTÁ GIRANDO, ESPERE HASTA QUE SE HAYA DETENIDO.



ADVERTENCIA! NUNCA MUEVA LA PALANCA DE CONTROL DE ROTACIÓN HACIA ADELANTE / REVERSA MIENTRAS EL TALADRO EN FUNCIONAMIENTO O EL INTERRUPTOR DE ENCENDIDO / APAGADO ESTÉ BLOQUEADO, YA QUE ÉSTO DAÑARÁ EL TALADRO.

6. SELECTOR DE FUNCIONES DEL TALADRO / MARTILLO (VER FIG. F)

Al perforar mampostería y objetos concretos, elija la posición "🔨". Al perforar madera, metal y plástico, elija la posición "🔩".

CONSEJOS DE TRABAJO PARA SU PULIDORA

1. PARA TALADRAR EN MAMPOSTERÍA Y HORMIGÓN

Seleccione el selector de funciones del taladro / martillo en "T". Las brocas de carburo de tungsteno siempre deben usarse para perforar mampostería y objetos concretos, etc. a alta velocidad.

2. PERFORACIÓN EN METAL

Cuando perfore en metal, seleccione el modo de operación de perforación. Use brocas helicoidales de acero de alta velocidad o sierras de perforación. Use un punzón central para iniciar el agujero. Lubrique las brocas con aceite de corte cuando las use en hierro o acero. Use anticongelante cuando perfore metales no ferrosos como cobre, latón o aluminio. Respalde el material para evitar que se atasque y deforme al abrirse.

3. AGUJEROS PILOTO

Al perforar un agujero grande en material resistente (es decir, acero), recomendamos perforar un agujero piloto pequeño primero antes de usar una broca grande.

4. PERFORACIÓN DE BALDOSAS

Seleccione el selector de funciones del taladro / martillo en "S". Cuando se haya penetrado la baldosa, cambie a la posición "T".

5. ENFRÍE EL MOTOR

Si su sierra caladora se calienta demasiado, especialmente cuando se usa a baja velocidad, ajuste la velocidad al máximo y no ejecute la carga durante 2-3 minutos para enfriar el motor.

MANTENIMIENTO

Retire el enchufe de la toma antes de realizar cualquier ajuste, servicio o mantenimiento.

Su herramienta eléctrica no requiere lubricación ni mantenimientos adicionales.

No hay piezas reparables por el usuario en su herramienta eléctrica. Nunca use agua o limpiadores químicos para limpiar su herramienta eléctrica.

Limpie con un paño seco. Guarde siempre su herramienta eléctrica en un lugar seco. Mantenga limpias las ranuras de ventilación del motor.

Mantenga todos los controles de trabajo libres de polvo. Ocasionalmente puede ver chispas a través de las ranuras de ventilación. Esto es normal y no dañará su herramienta eléctrica.

Si el cable de alimentación está dañado, debe ser sustituido por el fabricante, su agente de servicio o personas calificadas de manera similar para evitar un peligro.

CAT[®]



www.catpowertools.com



©2021 Caterpillar. CAT, CATERPILLAR, their respective logos, "Caterpillar Yellow," the "Power Edge" trade dress as well as corporate and product identity used herein, are trademarks of Caterpillar and may not be used without permission. Positec Group Limited, a licensee of Caterpillar Inc