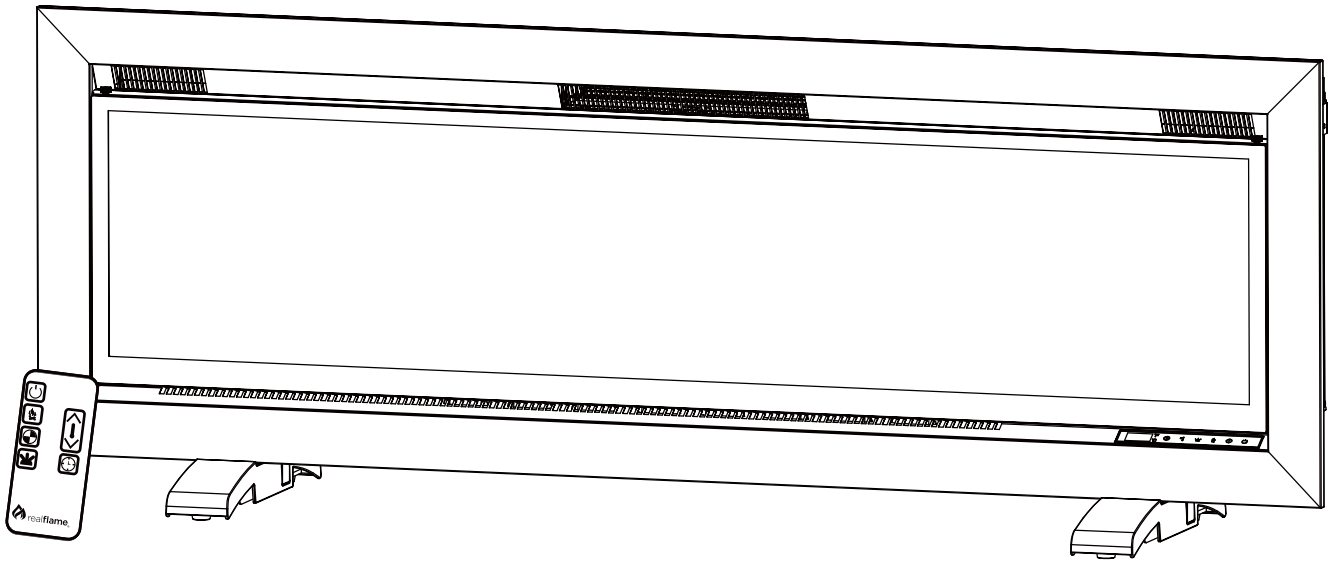




PO: _____
LOT: _____



Owner's Manual Model # 5560





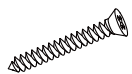
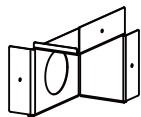

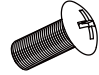
English • Français • Español

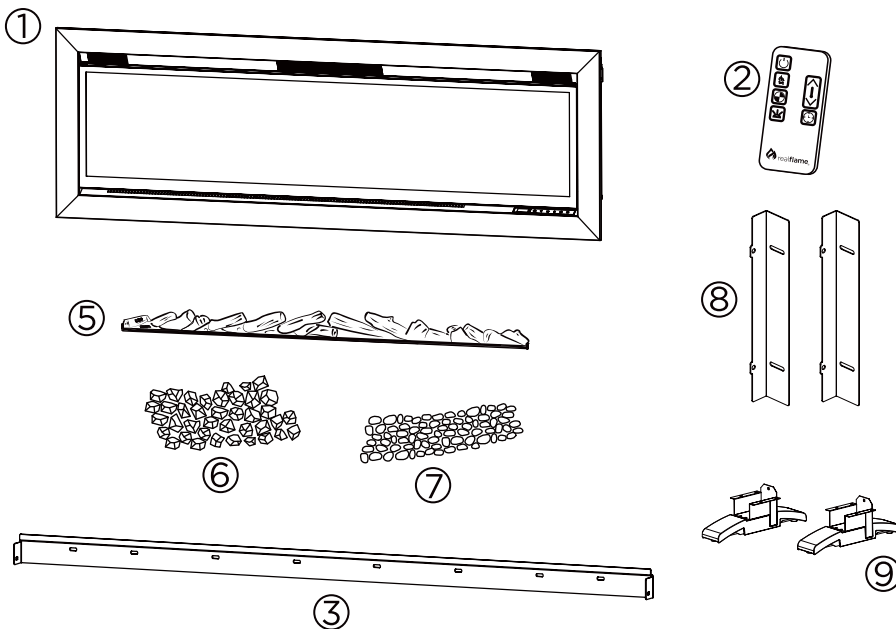
TABLE OF CONTENTS

Important Safety Instructions	3
Site Selection and Preparation	5
Operation and Features	6
Care and Maintenance	7
Installation	8
Hardwire Installation	13
Warranty	19
Return	20

PARTS LIST

Part Name	No.	Qty.
① Electric Firebox	N/A	1
② Remote Control	55550001	1
③ Mounting Bracket (Note: Attached to firebox)	55600002	1
④ Hardware Kit	55600004	1
⑤ Log Set	55600005	1
⑥ Crystal	55600006	1
⑦ Stone	55600007	1
⑧ Wall Hanger Bracket	55600008	2
⑨ Stand	55550003	2

Hardware Kit
A - Wall Screws M5-52 Screw - x8 
B - Dry Wall Anchors x8 
C - Front Frame Installation M4-8 Screw - x8 
D - Glass M5-35 Screw - x2 
E - M4 Wood Screws M4-30 - x4 
F - Hardwire Cover Plate 
G - Wire Nuts x3 
H - M5x10 Stand Screws M5-10 - x12 



④

IMPORTANT SAFETY INFORMATION

SAVE THIS USER'S GUIDE FOR FUTURE REFERENCE

When using electrical appliances, basic precautions should always be followed to reduce the risk of fire, electric shock, injury or death.

Read all instructions before installing or using this fireplace.

1. Electric fireplace is for indoor use only.
2. Do not modify the electric heater in any way. Use it only as described in this manual. Any other use not recommended by Real Flame® may cause a fire, electric shock, serious injury or death.
3. This heater is hot when in use. To avoid burns, do not let bare skin touch hot surfaces. If provided, use handles when moving this heater. Keep combustible materials, such as furniture, pillows, bedding, papers, clothes, and curtains at least 3 feet (0.9 m) from the front of the heater and keep them away from the sides and rear.
4. Always use properly grounded, fused and polarized outlets.
5. Always call a certified electrician if new circuits or outlets are required.
6. Extreme caution is necessary when any heater is used by, or near, children or people with disabilities. The unit should NEVER be left unattended.
7. The electric heater is not intended for use in bathrooms, laundry areas and similar indoor locations. Never locate heater where it may fall into a bathtub or in other areas where it may come into contact with water; dangerous electric shock could occur.
8. Do not operate any unit with a damaged cord or plug if the heater has malfunctioned, or if the fireplace has been dropped or damaged in any manner. Contact Real Flame® at 1-800-654-1704.
9. The cord may become hot when the fireplace is in operation. Do not run the cord under carpeting, furniture, or appliances. Do not cover cord with throw rugs, runners, or similar items.
10. To prevent people from tripping on the cord, make sure it is placed away from high traffic areas.
11. Do not insert or allow foreign objects to enter any ventilation or exhaust opening as this may damage the heater or result in electric shock.
12. To prevent a possible fire, do not block air intake or exhaust in any manner. Do not use on soft surfaces, like a bed, where openings may become blocked.
13. All electrical heaters have hot, arcing or sparking parts inside. Do not use in areas where gasoline, paint, or flammable liquids are used or stored or where the unit will be exposed to flammable vapors. Doing so could result in a fire or cause an explosion.
14. Do not burn wood or other materials in the electric heater; the unit or the wall could catch fire if you do.
15. To disconnect the unit, turn the firebox off and then remove the plug from the outlet.
16. Always unplug the electric heater when not in use for an extended period of time.

Glass Panel Information

1. The panel is made of tempered glass.
2. Under no circumstances should this product be operated with a broken or chipped glass panel.
3. Do not hit or slam the glass.
4. Do not use abrasive cleaners to clean the glass.

IMPORTANT SAFETY INFORMATION

SAVE THESE INSTRUCTIONS

WARNING



- Risk of electric shock
- Do not open
- Non-user serviceable parts inside

DESCRIPTIONS OF WARNINGS



NOTE

Procedures and techniques that are considered important enough to emphasize.




CAUTION

Procedures and techniques which, if not carefully followed, will result in damage to the equipment.



WARNING


Procedures and techniques which, if not carefully followed, will expose the user to the risk of fire, serious injury, illness or death.

 **NOTE** This equipment has been tested and found to comply with the limits for Class B digital device, pursuant to part 15 of the FCC Rules. These limits are designed to provide reasonable protection against harmful interference in a residential installation. This equipment generates, uses and can radiate radio frequency energy and, if not installed and used in accordance with the instructions, may cause harmful interference with radio or television reception. That can be determined by turning the equipment off and on. The user is encouraged to try to correct the interference by one or more of the following measures:

- Reorient or relocate the receiving antenna.
- Increase the separation between the equipment and the receiver.
- Connect the equipment into an outlet on a circuit different from that to which the receiver is connected.
- Consult the dealer or an experienced radio/TV technician for help.

Operation is subject to the following two conditions:

- (1) This device may not cause interference.
- (2) This device may accept any interference, including interference that may cause undesired operation of the device.

 **NOTE** A 15amp, 120-volt circuit is required. A dedicated circuit is preferred but not essential in all cases. A dedicated circuit will be required if, after installation, the circuit breaker trips or the fuse blows on a regular basis when the heater is operating. Additional appliances on the same circuit may exceed the current rating of the circuit breaker.

If you have any questions about our products, please contact Real Flame® customer service at 1-800-654-1704.

SITE SELECTION AND PREPARATION

WARNING

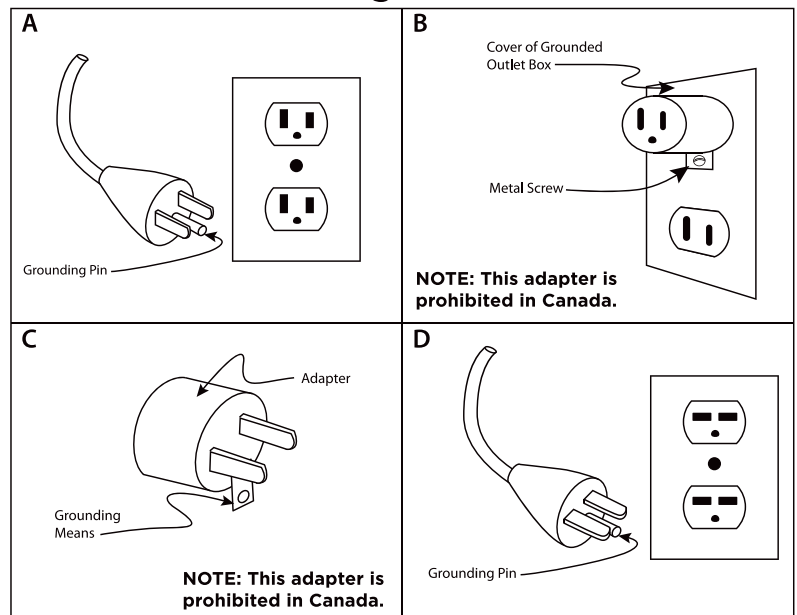
Ensure the power cord is not installed so that it is pinched or against a sharp edge and ensure that the power cord is stored or secured to avoid tripping or snagging to reduce the risk of fire, electric shock or injury to persons.

Construction and electrical outlet wiring must comply with local building codes and other applicable regulations to reduce the risk of fire, electric shock or injury to persons.

Do not attempt to wire your own outlets or circuits. To reduce the risk of fire, electric shock or injury to persons, always use a licensed electrician.

See Figure 1 for grounding instructions. This heater is for use on 120 volts. The cord has a plug as shown at A in Figure 1. An adapter as shown at C is available for connecting three-blade grounding-type plugs to two-slot receptacles. The green grounding lug extending from the adapter must be connected to a permanent ground such as a properly grounded outlet box. The adapter should not be used if a three-slot grounded receptacle is available.

Figure 1



NOTE

- The fireplace insert comes completely assembled and wired. Some tools may be required to prepare the site and install the trim.
- The assembled dimensions of the fireplace insert are 64.8" wide x 23.9" high x 14.7" deep.
- This fireplace does not require any venting.

Select a suitable location that is not susceptible to moisture and is away from drapes, furniture and high traffic. For ease of electrical hook up you may wish to position the fireplace near an existing outlet.

OPERATION AND FEATURES

Power

This will turn the unit ON/OFF. When turned back ON, the system will recall the last heat setting used.

Adjust Brightness

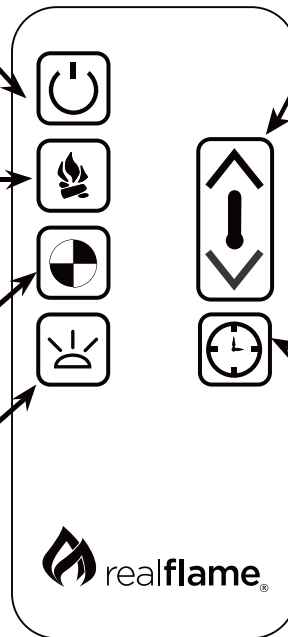
This allows you to raise or lower the level of flame brightness.

Adjust Flame

This allows you to change flame color.

Ember Bed

This allows you to change ember color.



Adjust Temperature

This allows programming of the thermostat. The firebox can be used without the heater if desired, simply cycle through the function until no temperature is displayed. Press and hold the down arrow for five seconds to switch temperature readout from °F to °C and back.

Timed Shut-Off

This allows you to set the fireplace to automatically shut OFF after the amount of time displayed on the screen. Timer can be set for thirty minutes up to six hour.

Using the Control Panel

Thermostat

°F or °C will be displayed along with the temperature on the main display. The firebox can be used without the heater if desired, simply cycle through the function until no temperature is displayed.

Adjust Heater

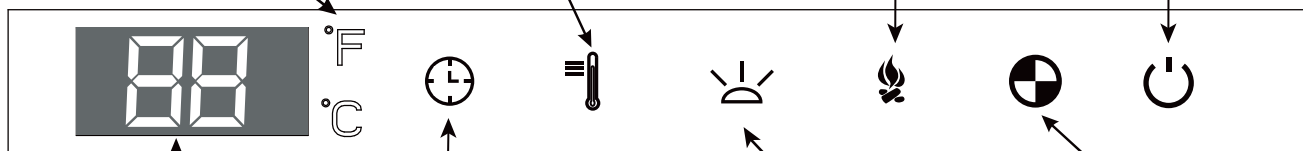
This function will cycle through the different temperature levels of the heater. Hold 5 seconds to switch readout between °F and °C.

Adjust Brightness

This function will cycle through the five different levels of flame brightness.

Power

This will turn the unit ON/OFF.



Main Display

All numerical information will be displayed on this screen along with the related function icon.

Timed Shut-Off

This allows you to set the fireplace to automatically shut OFF after the amount of time displayed on the screen. Timer can be set for thirty minutes up to six hour.

Adjust flame color

This function changes the flame color.

Ember bed

This allows you to change ember color.

OPERATION AND FEATURES

⚠ NOTE Although the heater has been turned off, the fan may still run to prevent overheating.

⚠ NOTE If the display screen reads 88 or EE, verify that all vents on the firebox are clear of any obstructions, then unplug the firebox and plug it back in to reset the firebox. If this problem persists, please contact Real Flame at 1-800-654-1704.

CARE AND MAINTENANCE

Remote Control Battery Replacement

- Slide the battery cover open by squeezing the release lever while pulling the battery out. Please see the underside of remote for instructions.
- Replace the dead battery with one CR2025 battery. Replacement batteries are not included with the firebox.
- Do not dispose of the dead battery in the municipal trash. Batteries should be disposed of at a local collection point for recycling batteries.
- Close the battery cover.

Light Emitting Diode

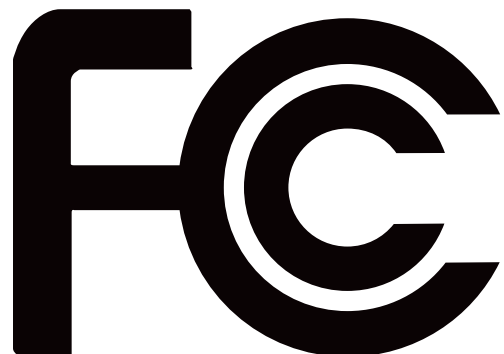
This firebox is fitted with LED (Light Emitting Diode) bulbs in place of conventional bulbs. These generate the same light levels as conventional bulbs, but use a fraction of the energy. These LED bulbs are maintenance free and should not require replacing during the life of the product.

Cleaning

⚠ WARNING Disconnect power before attempting any maintenance or cleaning to reduce the risk of fire, electric shock, injury or death.

⚠ CAUTION When transporting or storing the unit and cord, keep in a dry place, free from excessive vibration and store so as to avoid damage.

- Dust the unit using a clean dry cloth.
- Use warm water and a clean cloth to wipe off all painted surfaces. Do not use abrasive cleaners.
- Use a standard glass cleaner for the glass panel of the unit.



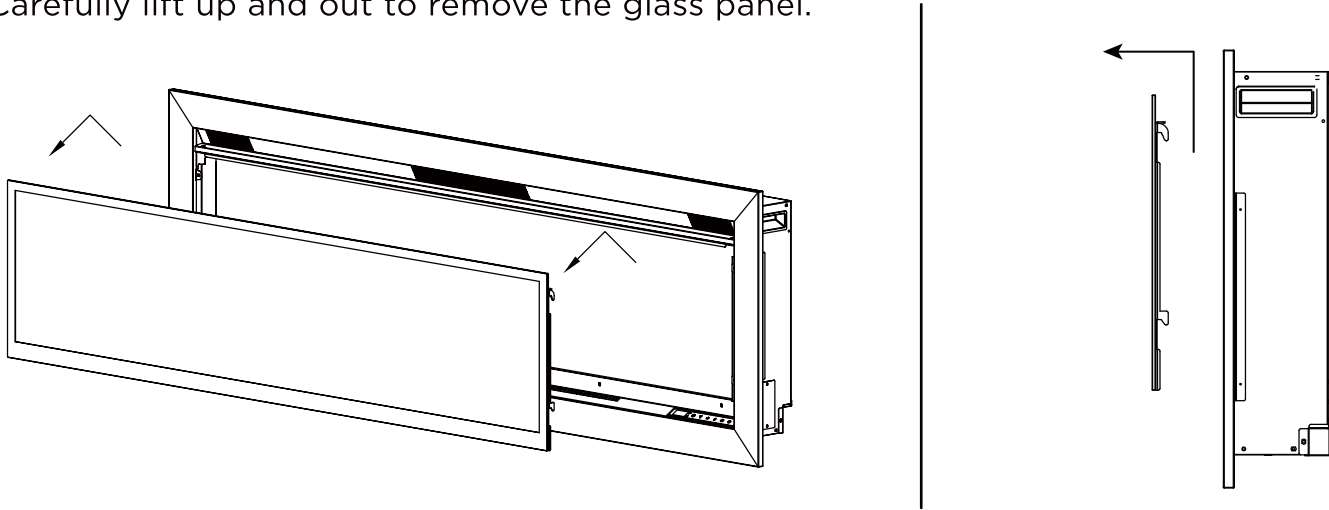
Installing the Fireplace: Method A

⚠ WARNING: Read and understand all instructions included with your fireplace before installing.

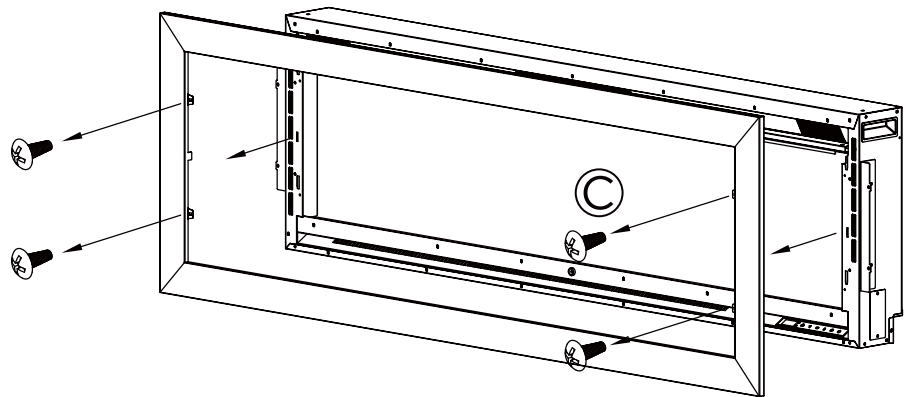
Note: A, B and C installation methods should be completed with the front frame and glass installation steps.

Method A: Follow the steps below to hang your fireplace on the wall.

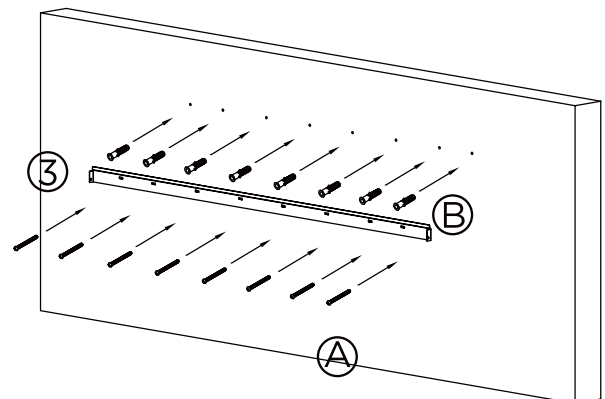
1.) Carefully lift up and out to remove the glass panel.



2.) Remove the screws (C) and then remove the frame.

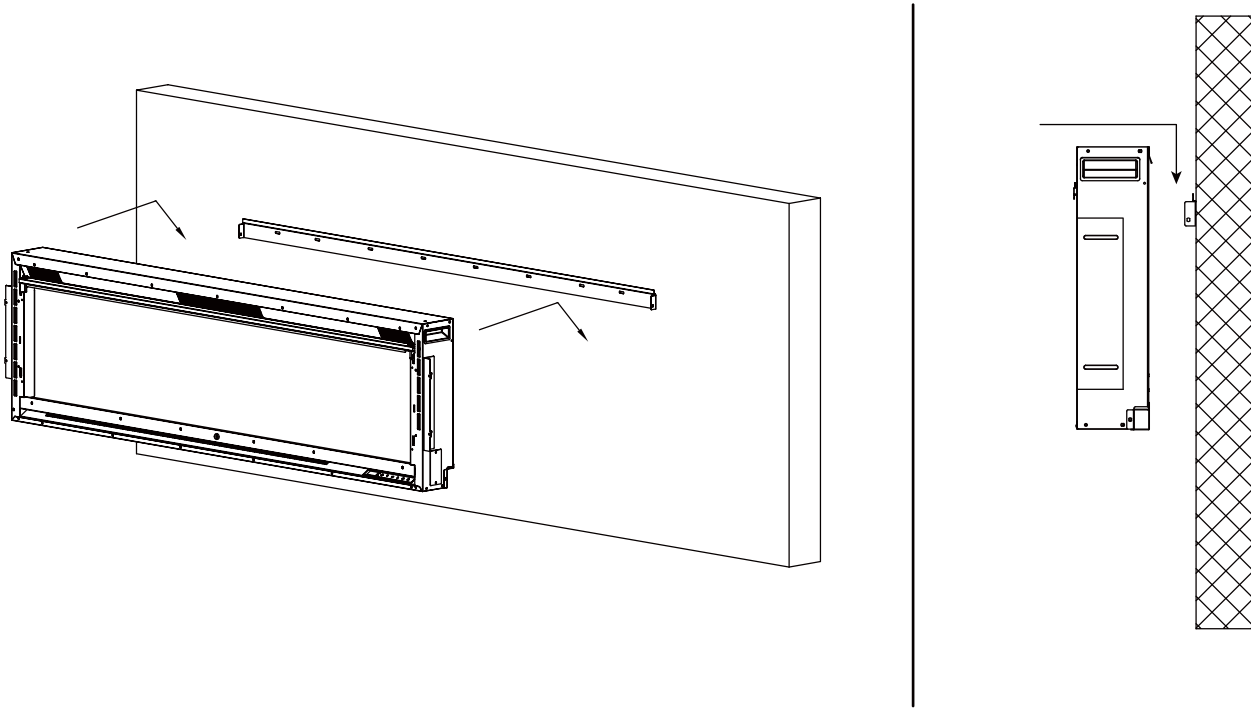


3.) Fix the mounting bracket (3) to the wall using drywall anchors (B) and wall screws (A).

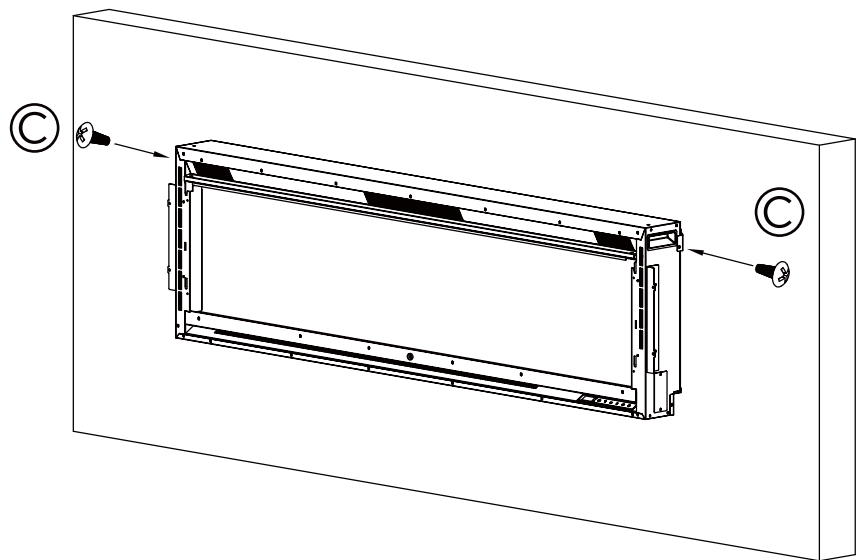


Installing the Fireplace: Method A

- 4.) With two people, lift the firebox up to the mounting bracket and place the ledge of the mounting bracket into the openings in the back of the firebox.



- 5.) Secure the firebox using the screws (C).



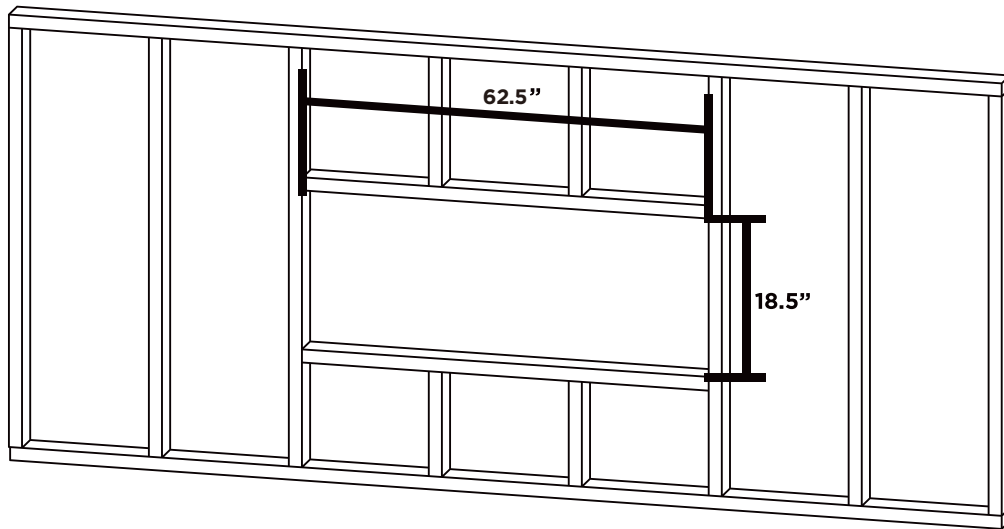
- 6.) See page 18 to install the front glass, frame and filler.

Method B: Installing the Fireplace

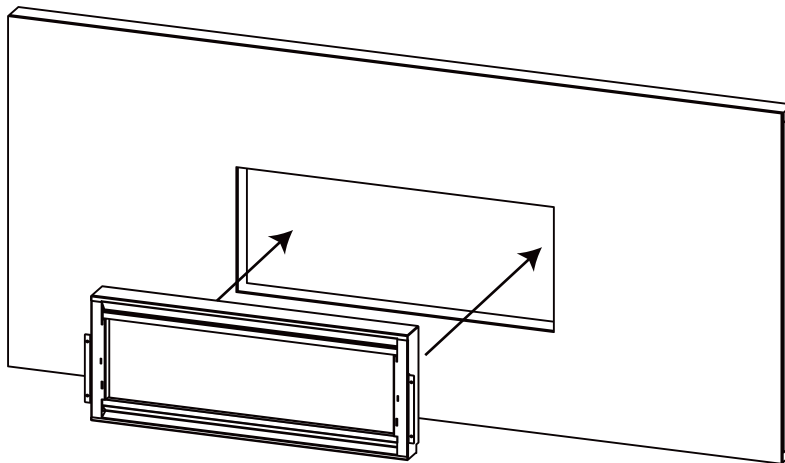
Note: A, B and C installation methods should be completed with the front frame and glass installation steps.

Method B: Follow the steps below to recess-mount your fireplace.

- 1.) Frame the opening for the firebox. The opening in the wall should be framed as shown below. **62.5" wide x 18.5" tall.**



- 2.) With the glass and frame removed (see page 8), insert the firebox into the wall opening to test fit.



Installing the Fireplace: Method B

NOTE: Because the mounting brackets are adjustable, the firebox can be mounted directly to the drywall (**Figure 1**) or directly to the studs by cutting out a strip of drywall (**Figure 2**).

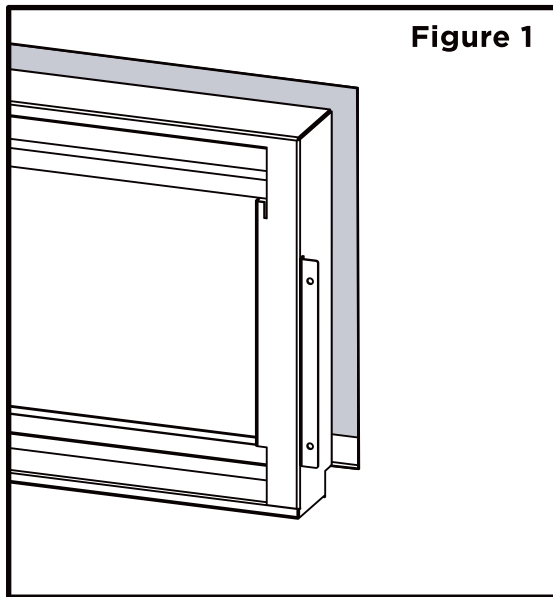


Figure 1

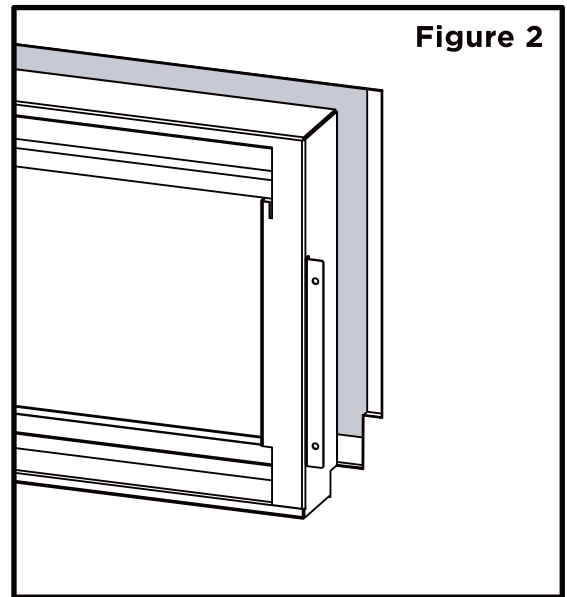
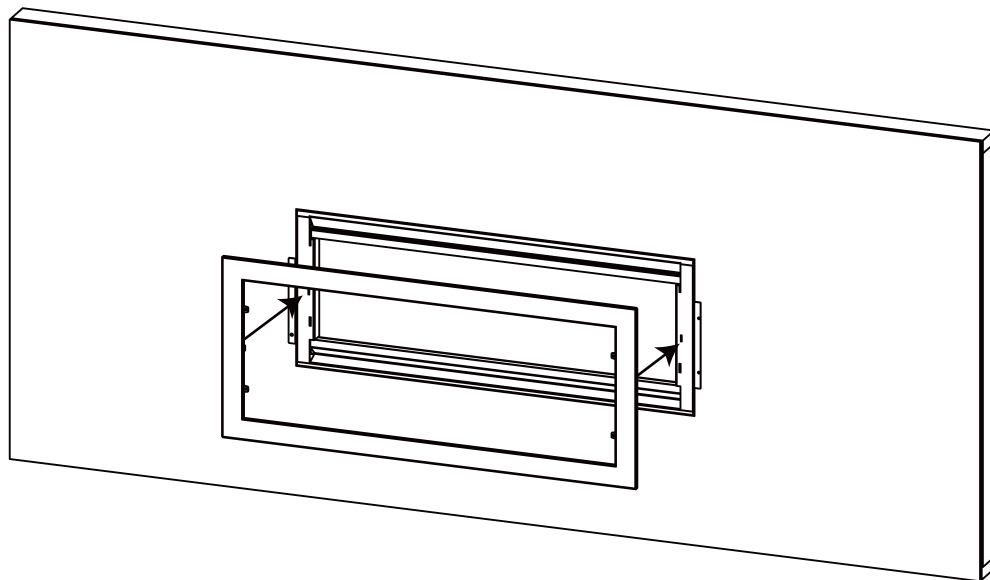


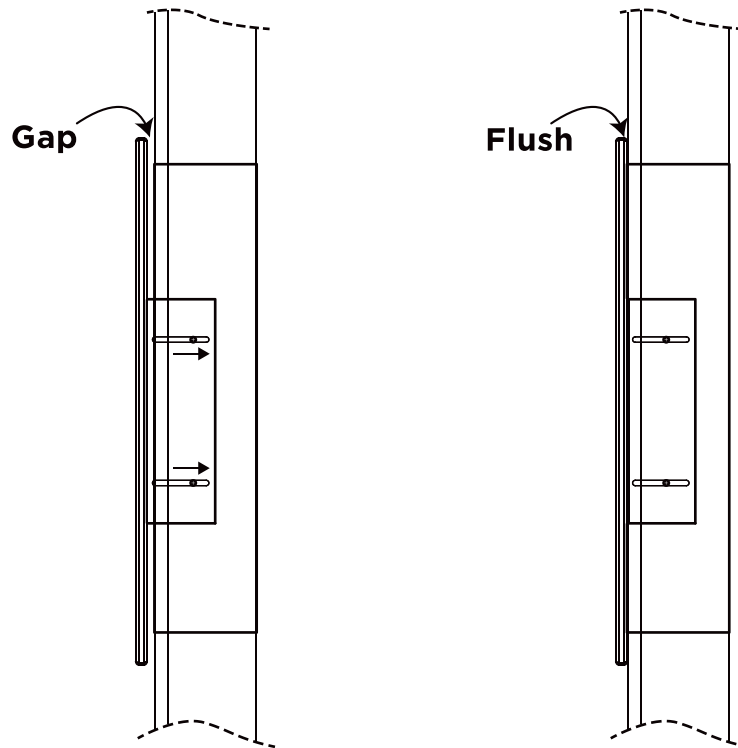
Figure 2

3.) Continue test fit by dry fitting the frame to the firebox. Check to make sure the frame is flush with the wall.

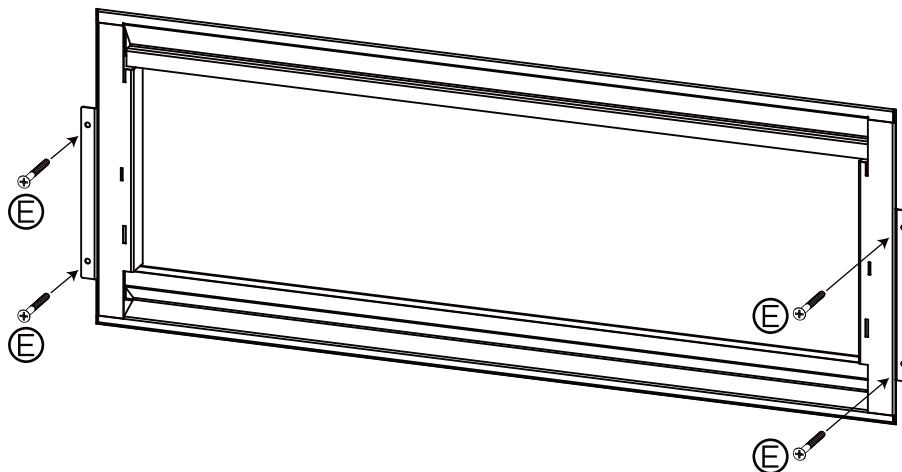


Installing the Fireplace: Method B

- 4.) If there is a gap between the frame and the wall, loosen the bracket screws and adjust the brackets to the desired depth based on the wall.



- 5.) Once the depth has been confirmed, tighten the side screws to fix the mounting plates in place. Replace the firebox in the opening and secure the firebox in place with the wood screws (E).



- 6.) See page 18 to install the front glass, frame and filler.

Installing the Fireplace: Method B

Follow the steps below for hardwired installation

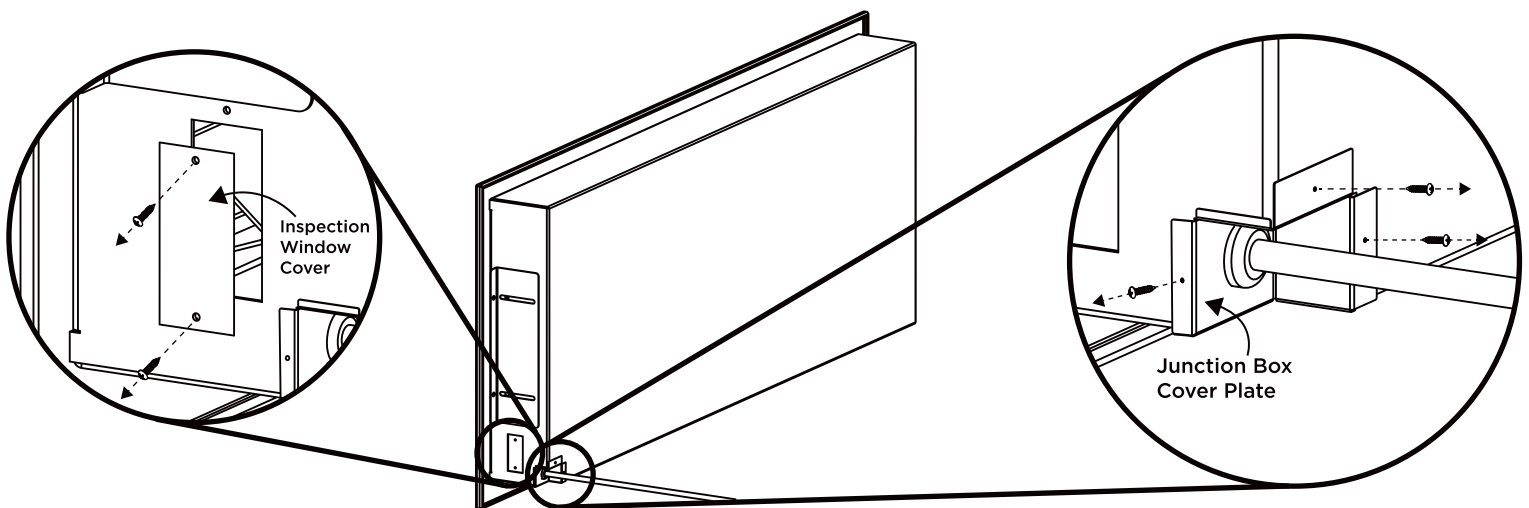
Note: Due to wide variances in local building codes; a professional contractor should be consulted before beginning this method of installation to ensure that installation is compliant with local requirements.

If it is necessary to hard-wire this fireplace, a qualified electrician must remove the cord connection and wire the fireplace directly to the household wiring. The dedicated circuit and power supply breaker must be rated for 120V, minimum 15 amps. The fireplace must be electrically connected and grounded in accordance with local codes.

In the absence of local codes, use the current CSA C22.1 Canadian Electrical Code in Canada or the current ANSI/NFPA 70 National Electrical Code in the United States.

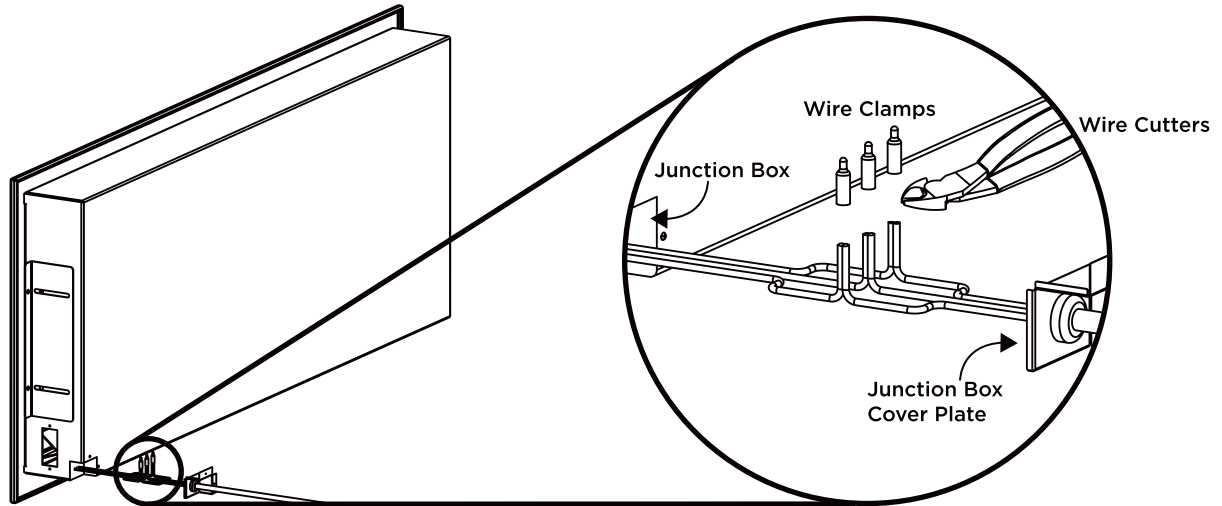
There are 3 wires from the fireplace junction: white (neutral), black (power L1), and yellow/green (ground) that connect to 120V power supply (breaker panel). See below.

- 1.) Remove 5 screws from the junction box cover plate and inspection window, located on the back and left side of the fireplace. Locate the cord bundle.

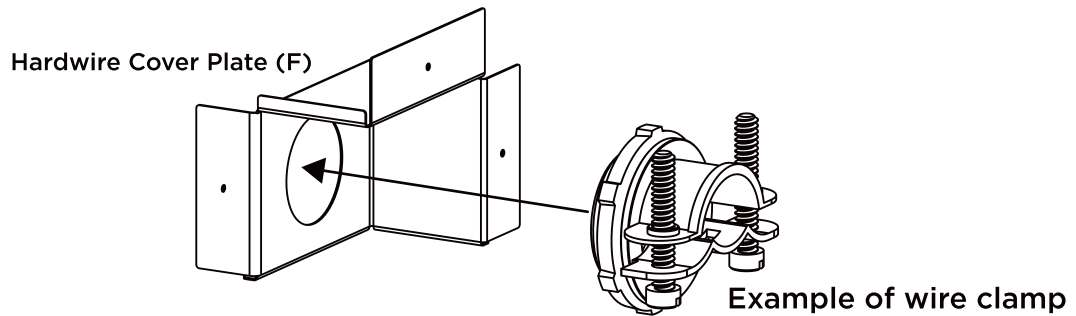


Installing the Fireplace: Method B

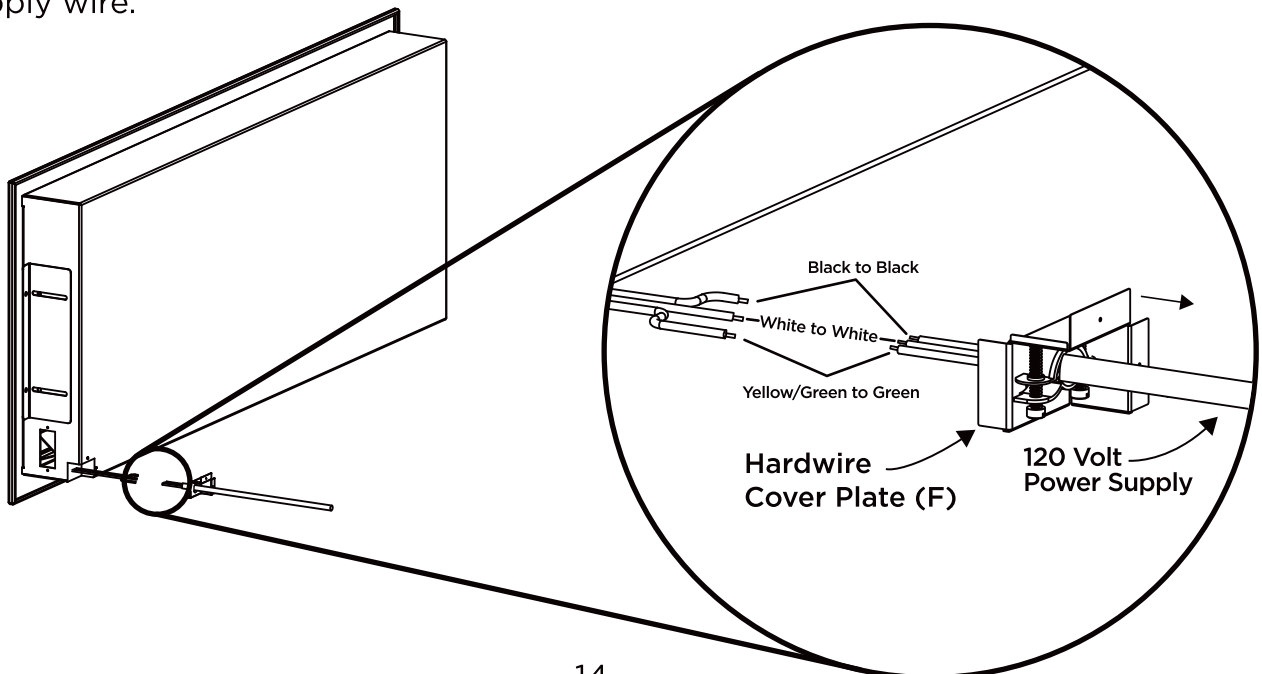
- 2.)** Separate the black, white and green/yellow wires from the cord bundle, removing cable ties if necessary. Disconnect wires by carefully cutting clamps that secure terminal wires to the power cord.



- 3-1.)** Secure clamp (not included) to the hardwire cover plate (F). Type of clamp needed may vary based on local codes.

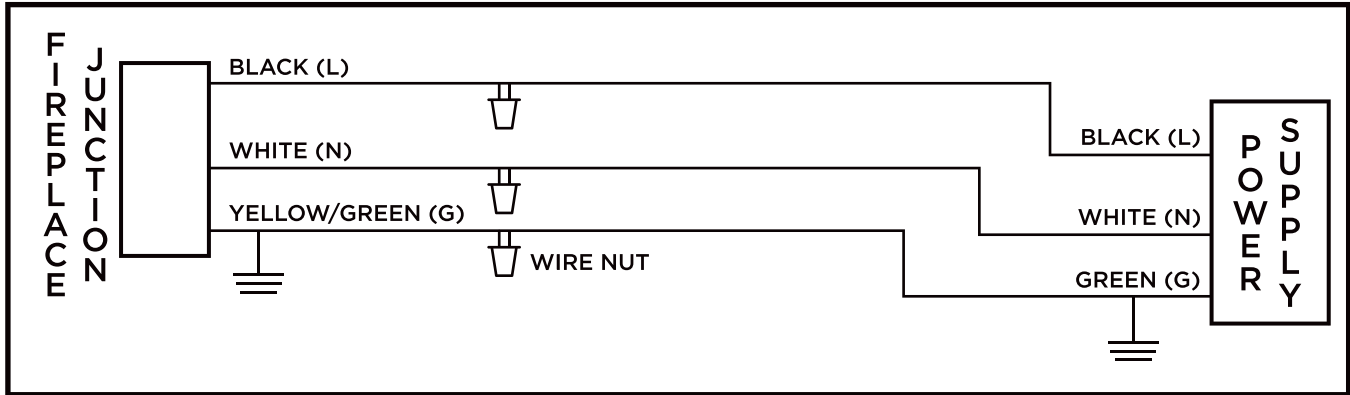


- 3-2.)** Feed supply cord wire through the hardwire cover plate (F) and clamp and secure in place with the clamp. Connect the green/yellow ground wire to the green supply ground wire, the white neutral wire to the white supply neutral wire, and the black live wire to the black live supply wire.

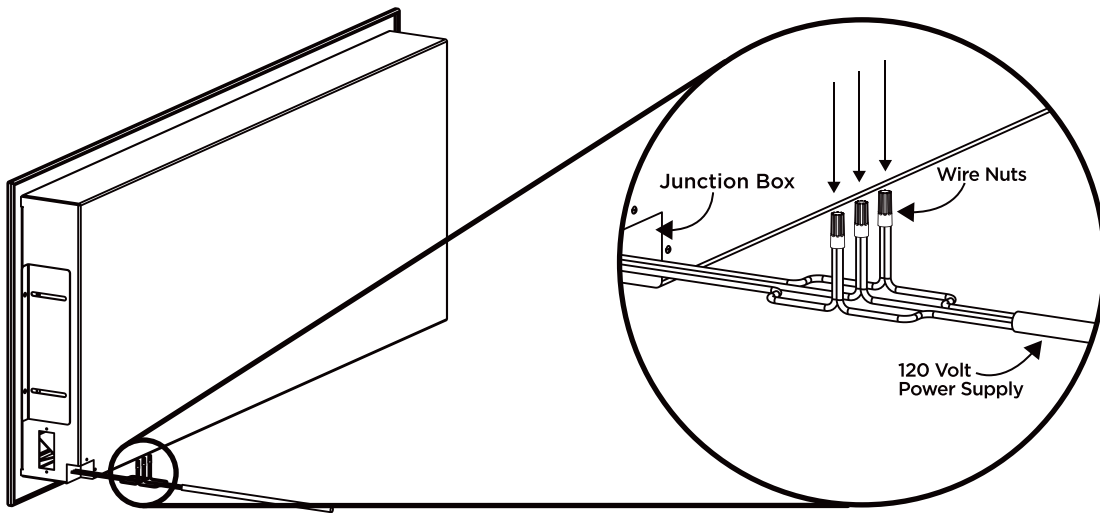


Installing the Fireplace: Method B

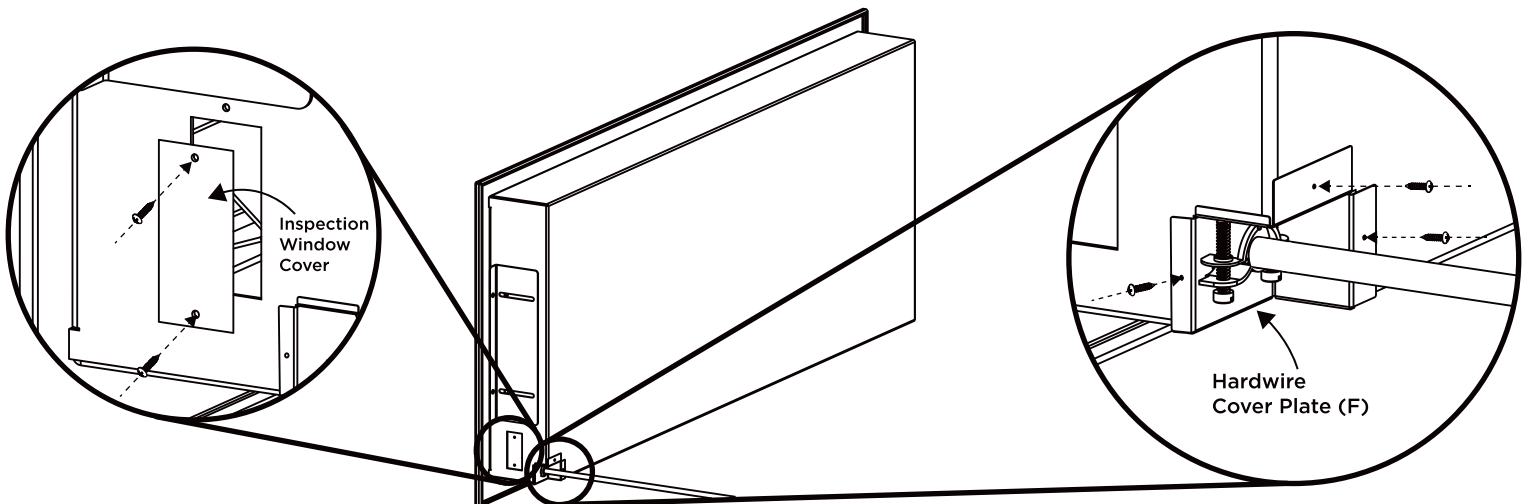
Wiring Diagram



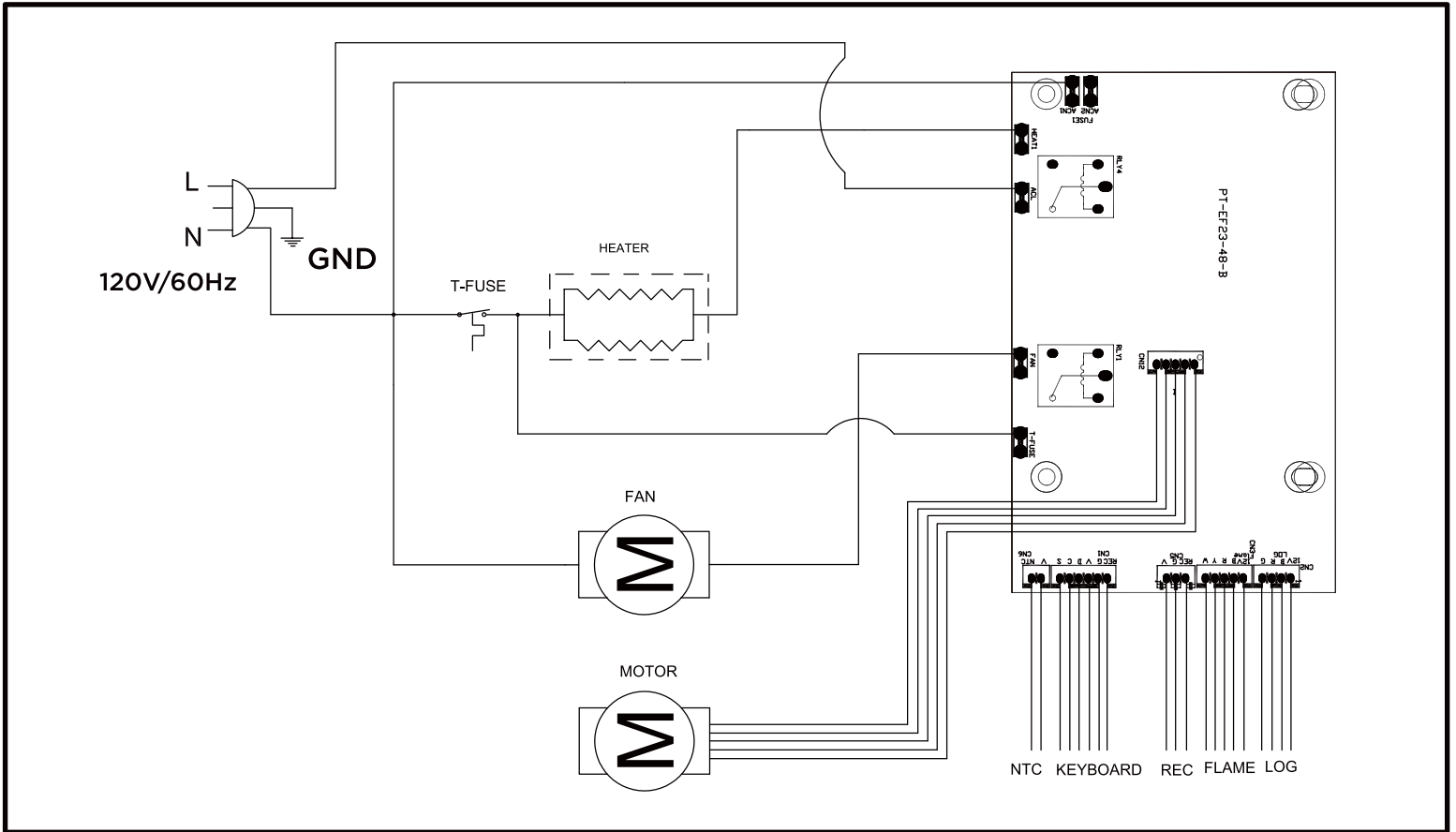
3-3.) Secure wires with wire nuts.



4.) Carefully push the cord bundle back into the fireplace. Check the connection through the inspection window to ensure wire nuts are in place. Replace the inspection window cover with the previously removed screws. Use the three screws previously removed in step one to secure the hardware cover plate (F).



Installing the Fireplace: Method B

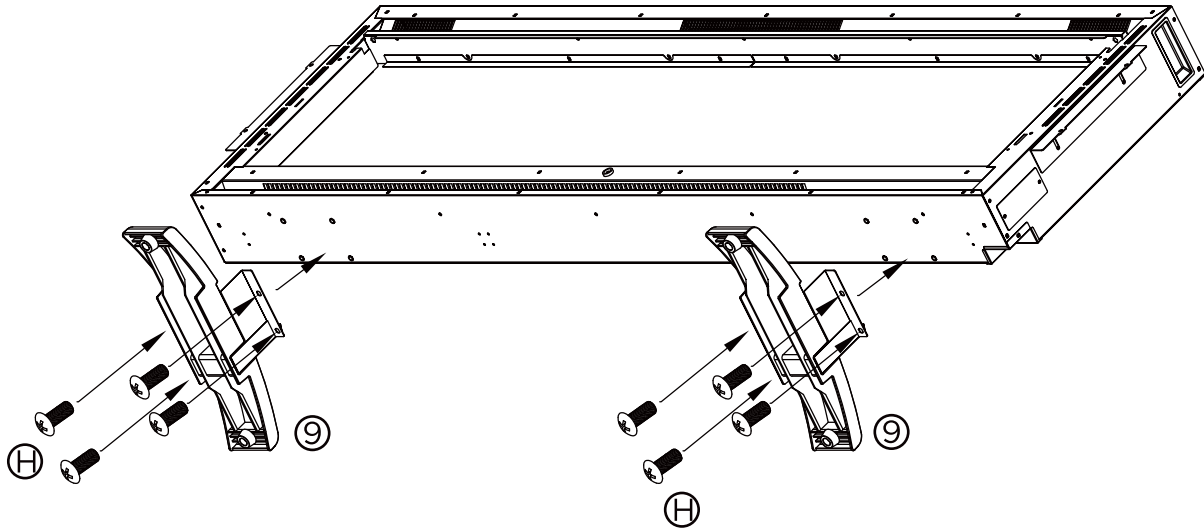


Installing the Fireplace: Method C

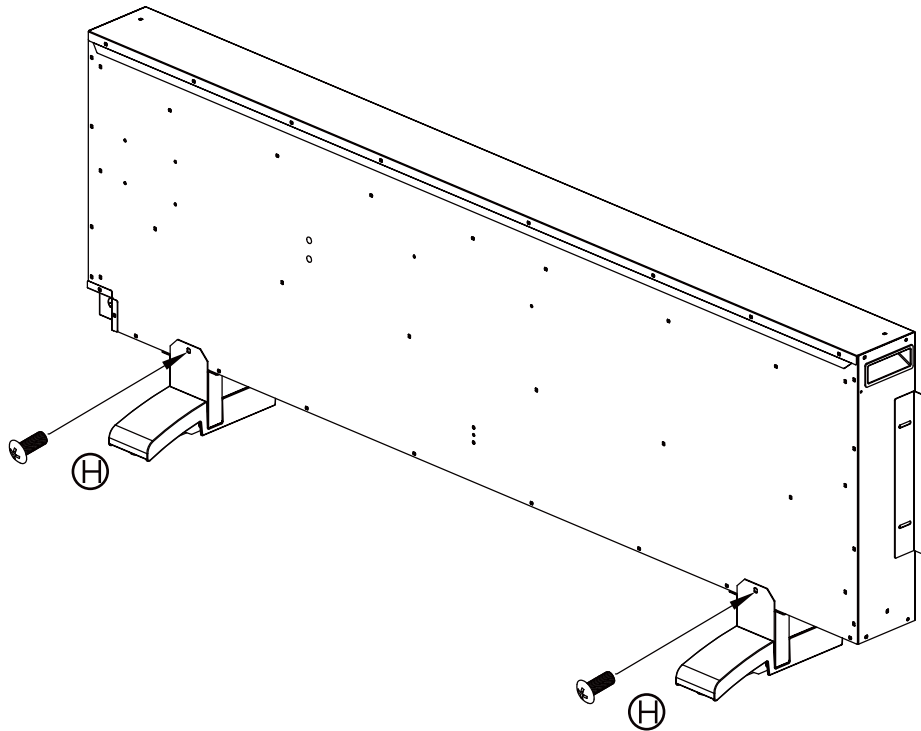
Note: A, B and C installation methods should be completed with the front frame and glass installation step.

Method C: Follow the steps below to install the fireplace stand.

1.) Attach each stand (9) to the fireplace using the screws (H) included.



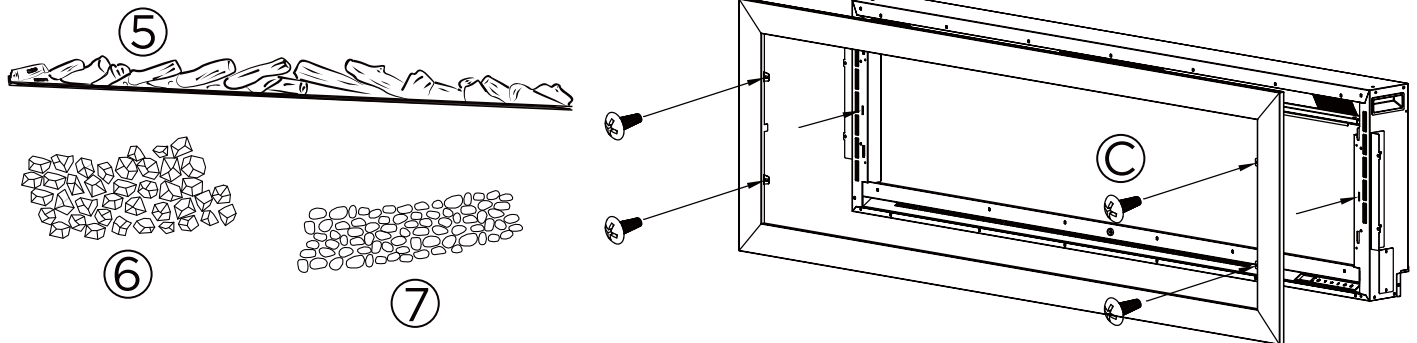
2.) Attach two screws (H) to the back of the fireplace.



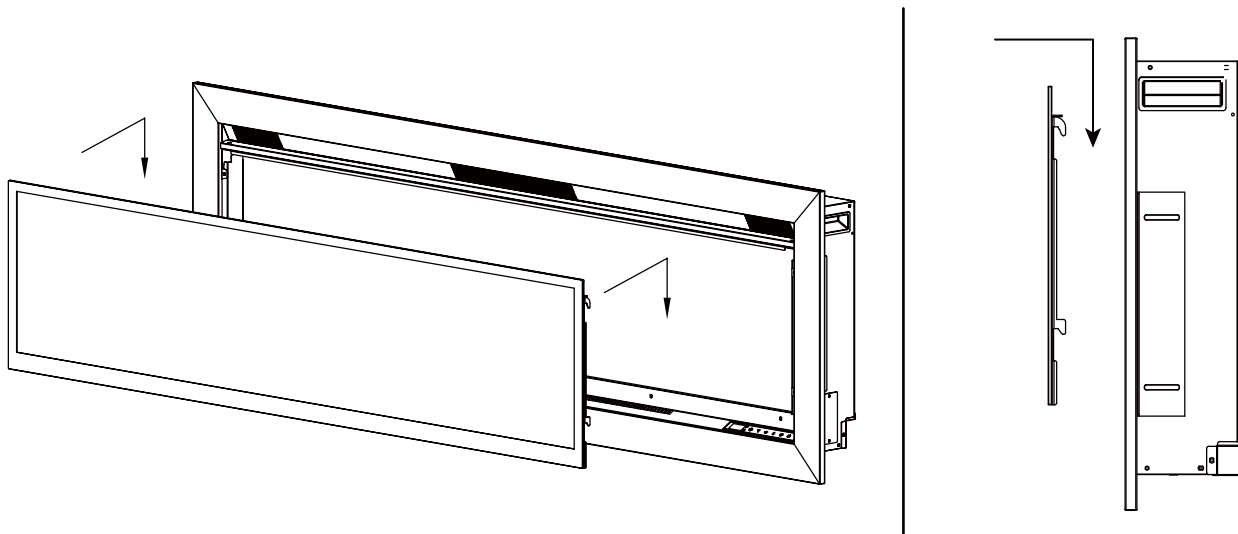
Installing the Fireplace

Follow the steps below to install the electric firebox front frame and glass.

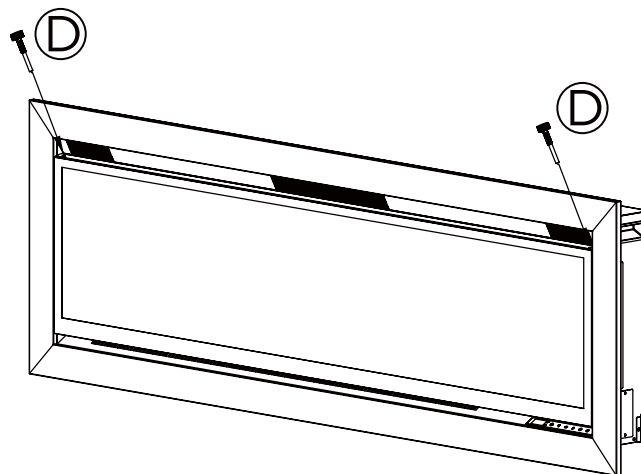
- 1.)** Select the log set (5), crystal (6) or stones (7) for the firebox bed. Install the front frame using four included screws (C).



- 2.)** Install the glass by aligning the clips with the openings on the front of the firebox. The filler may be changed out at any time by removing the glass and repeating these steps.



- 3.)** Secure the glass using the two remaining screws (D) in the top left and right corners of the frame.



WARRANTY

Limited Warranty

Real Flame® warrants that the following components of this Real Flame® fireplace ("the Product") will be free from manufacturing defects in material and workmanship after correct assembly and under normal use and proper maintenance for the periods indicated below, commencing with the date of purchase of the Product:

- The body - 1 year limited warranty.
- The internal components - 1 year limited warranty.

This non-transferable warranty extends to the original purchaser only, provided that the purchase was made through an authorized Real Flame dealer. The warranty is also subject to the following conditions and limitations:

This warranty does not extend to damages caused by shipping, improper assembly, installation or storage, installation that does not comply with building codes and ordinances, installation or operation not in accordance with the included manual, abuse, lack of maintenance, hostile environments, accident, natural weather, or unworkmanlike repairs. Modification of the Product, use of fuels other than what is approved by Real Flame, or use of parts installed from other manufactures will nullify this warranty.

This warranty applies to the functionality of the Product only and does not cover cosmetic issues such as scratches, dents, rust, oxidation, corrosion, areas discolored or cracked due to prolonged exposure to extreme heat, or damage caused by abrasive or chemical cleaners. However, should deterioration of parts occur to the degree of non-performance within the duration of the warranty period, Real Flame will provide a replacement part.

Real Flame requires reasonable proof of your date of purchase. Therefore, you should retain your sales receipt and/or invoice. Defective parts subject to this warranty will not be replaced without proof of purchase.

Real Flame must have the opportunity to verify the alleged defect. In order for any internal components to be covered under warranty, Real Flame requires the user to troubleshoot with a Real Flame Customer Service member to ensure proper operation and diagnosis of issue.

In the event of covered defects in warranted items, Real Flame will, at its sole option and discretion, replace the defective component, replace the Product or refund the purchase price. Real Flame is not responsible for the installation, labor or any other costs associated with the reinstallation. The foregoing is the exclusive remedy under the terms of this limited warranty. Real Flame will not be responsible for any incidental or consequential damages caused by defects in the Product. Some states do not allow the exclusion or limitation of incidental or consequential damages, so the above limitation or exclusion may not apply to you.

This limited warranty is the sole express warranty given by Real Flame. The duration of any implied warranty arising under the laws of any state, including implied warranty of merchantability or fitness for a particular purpose or use, is limited to the duration of the warranty specified above. Some states do not allow limitations on how long an implied warranty lasts, so this limitation may not apply to you.

This warranty gives you specific legal rights, and you may also have other rights which vary from State to State.

For warranty service:

1. Call Real Flame Customer Service at 1-800-654-1704 for technical support and troubleshooting.
2. If experiencing issues with finish, please fill out the 'Outdoor Warranty Claim' form at www.realflame.com.

RETURN POLICY

Return Policy

You may return your purchase within 90 days of receipt. No refunds will be issued for incomplete or unauthorized returns. All returned products must be 100% complete, adequately packaged in original packaging and in resalable condition. Products that have been assembled or modified will not be eligible for return. All items must be returned in their entirety, meaning all items included must be returned together. No returns or exchanges on discontinued items. Please begin the return process by contacting the store or company where you bought your Real Flame® item.

Replacement Parts

In the event that an item has been lost or damaged, either by the manufacturer or in shipping, you may request a replacement. Replacement parts are not available for all units and only given at Real Flame's discretion. We will assess any damage and find a solution, which could include shipping you a replacement. No replacements are available for discontinued items or repackaged (open box) products. Please call Real Flame Customer Service at 1-800-654-1704 for replacement parts before returning the damaged item. Please have the following information (which can be found in your instruction manual) ready before you call Customer Service:

- Model number of item
- 4-8 digit part number
- Lot code number
- Shipping address
- A picture of the damaged item may be requested. Pictures should be sent to csrep@realflame.com

Incorrect Order Received

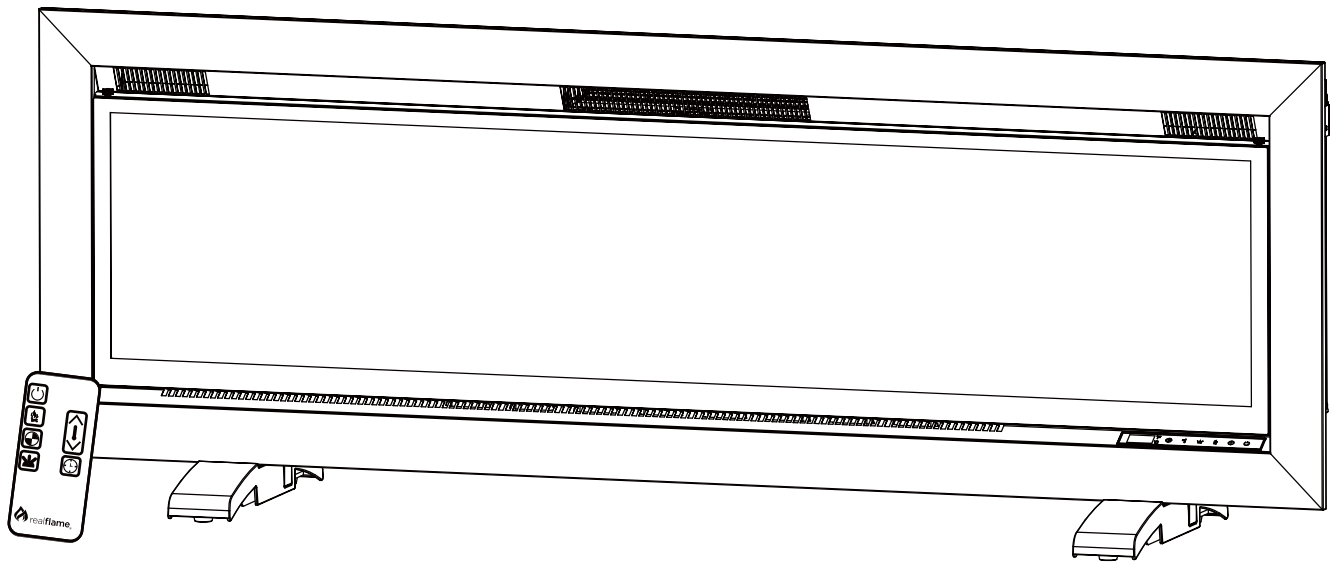
If you received something other than what you ordered, please contact Real Flame Customer Service at 1-800-654-1704 within 48 hours of receiving the item.

Refer to www.realflame.com for our complete return guidelines and policies.

Please register your fireplace for recall notifications, proof of ownership and quality assurance at <https://www.realflame.com/registration>.

Real Flame®
7800 Northwestern Ave.
Racine, WI 53406
USA

Customer Service: 1-800-654-1704 in USA
Service à la clientèle: 1-800-363-6443 in Canada
csrep@realflame.com



5560
Manuel du propriétaire

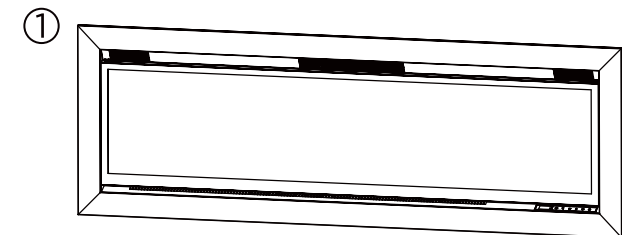
English • Français • Español

TABLE DES MATIÈRES

Informations importantes sur la sécurité.....	3
Sélection et préparation du lieu choisi.....	5
Utilisation et fonctionnalités.....	6
Nettoyage et entretien.....	7
Installation.....	8
Installation câblée.....	13
Garantie.....	19
Politique de retour.....	20

LISTE DES PIÈCES

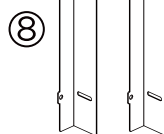
Nom	Nombre	Quantité
① Foyer	N/A	1
② Télécommande	55550001	1
③ Support de Montage <small>(Remarque: est fixé à l'arrière de la cheminée)</small>	55600002	1
④ Kit de Quincaillerie	55600004	1
⑤ Bûches	55600005	1
⑥ Cristaux	55600006	1
⑦ Pierres	55600007	1
⑧ Support	55600008	2
⑨ Pieds	55550003	2



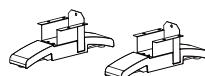
⑥



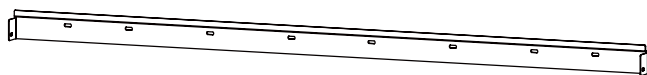
⑦



⑧



⑨



③

2

Kit de Quincaillerie

A - Vis Murales

M5-52 Vis - x8



B - Ancrages pour cloisons sèches

x8



C - Installation du cadre avant

M4-8 Vis - x8



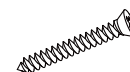
D - Verre

M5-35 Vis - x2

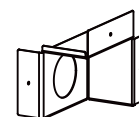


E - M4 Vis

M4-30 - x4



F - Plaque de couverture câblée



G - Serre-fils

x3



H - M5-10 Vis

M5-10 - x12



④

IMPORTANTES INSTRUCTIONS DE SÉCURITÉ

AVIS IMPORTANT Veuillez conserver ce guide d'utilisation pour référence ultérieure.

Lors de l'utilisation d'appareils électriques, vous devez toujours faire preuve de prudence en suivant toutes les instructions afin d'éviter les risques d'incendie, les décharges électriques et les blessures:

1. Lire toutes les instructions avant d'utiliser cet appareil.
2. L'appareil de chauffage devient chaud à l'usage. Pour éviter des brûlures, ne pas laisser la peau nue en contact avec les surfaces chaudes. La moulure entourant l'appareil de chauffage devient chaude lors de l'usage. Tenir les matériaux combustibles tels que les meubles, les coussins, la literie, les papiers, les vêtements et les rideaux à au moins 3 pieds (0,9 m) du devant, côtés et arrière de l'appareil.
3. Des précautions importantes doivent être prises lorsqu'un appareil de chauffage est utilisé par ou près d'enfants, de personnes à mobilité réduite, et est en usage sans supervision.
4. Toujours débrancher l'appareil de chauffage lorsqu'il n'est pas en usage.
5. Ne jamais utiliser l'appareil si le cordon d'alimentation ou la fiche de branchement sont endommagés; ou encore si l'appareil de chauffage ne fonctionne pas bien, s'il est tombé de haut ou a été endommagé de quelques manières. Apporter l'appareil à un service d'entretien autorisé pour un examen et une mise au point électrique ou mécanique ou une réparation complète.
6. N'est pas conçu pour un usage à l'extérieur.
7. Cet appareil de chauffage électrique n'est pas conçu pour être utilisé dans une salle de bain, une salle de lavage ou toute autre pièce intérieure similaire. Éviter de mettre l'appareil dans un endroit où il pourrait tomber dans une baignoire ou un contenant rempli d'eau.
8. Ne pas placer les cordons électriques sous un tapis, meubles ou appareils. Ne pas recouvrir les cordons électriques avec une carpe ou un tapis de couloir. Disposer les cordons électriques en dehors des lieux de passages fréquents afin de ne pas les abîmer.
9. Pour débrancher l'appareil, mettre le foyer hors tension, et débrancher ensuite de la prise de courant.
10. Connecter uniquement à des prises de courant correctement mise à la terre.
11. Ne pas laisser des objets étrangers entrer dans le système de ventilation ou la bouche d'évacuation; cela pourrait occasionner une décharge électrique, un incendie ou endommager l'appareil de chauffage.
12. Pour prévenir les risques d'incendie, ne pas obstruer l'entrée ou la sortie d'air de quelques manières. Ne pas utiliser sur une surface souple telle qu'un lit, qui pourrait obstruer les ouvertures.
13. Tous les appareils de chauffage électriques possèdent des parties chaudes, des arcs électriques ou des étincelles à l'intérieur de leurs composantes. Ne pas utiliser dans des endroits où on trouve de l'essence, de la peinture et où des liquides inflammables sont utilisés ou entreposés, et où l'appareil serait exposé à des vapeurs inflammables.
14. Ne pas modifier l'appareil de chauffage électrique. Utiliser selon l'usage décrit dans le manuel. Toute autre utilisation non recommandée par le fabricant peut occasionner des incendies, des décharges électriques, des blessures et même la mort.
15. Ne pas brûler du bois ou tout autre produit dans l'appareil de chauffage électrique.
16. Ne pas frapper sur le panneau de verre.
17. Toujours faire appel à un électricien agréé pour l'installation de nouveaux circuits ou de nouveaux branchements électriques.

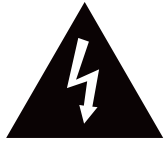
Information concernant le verre

1. Ce produit ne devrait jamais être utilisé avec un panneau de verre brisé ou fissuré.
2. Ne pas frapper ou donner des coups sur le verre.
3. Ne pas utiliser des nettoyants abrasifs pour nettoyer le verre.
4. Ce produit est composé de verre trempé.

IMPORTANTES INSTRUCTIONS DE SÉCURITÉ

GARDER CES INSTRUCTIONS EN RÉSERVE

AVERTISSEMENT



- Risque de décharge électrique.
- Ne pas ouvrir.
- Aucune pièce utilisable à l'intérieur.

DESCRIPTION DES AVERTISSEMENTS



REMARQUE

Procédures et techniques qui sont considérées assez importantes pour être signalées.



ATTENTION

Procédures et techniques, lesquelles, si elles ne sont pas suivies correctement, occasionneront un dommage à l'équipement.



AVERTISSEMENT

Procédures et techniques, lesquelles, si elles ne sont pas suivies correctement, exposeront l'utilisateur à un risque d'incendie, de blessures sérieuses ou à la mort.



REMARQUE Requiert un circuit de 15 ampères, 120 volts. Un circuit exclusif est préférable, mais pas toujours essentiel. Un circuit exclusif sera requis si, après l'installation, le disjoncteur se déclenche ou si les fusibles grillent à répétition lorsque l'appareil de chauffage est en usage. Plusieurs appareils sur un même circuit peuvent conduire à une surcharge du disjoncteur.



REMARQUE Cet appareil a été testé et trouvé conforme aux normes des dispositifs numériques de classe B, en vertu de la Partie 15 des règlements du FCC. Ces normes ont pour but d'offrir une protection raisonnable contre des interférences nuisibles dans une installation résidentielle. Cet appareil génère, utilise et peut rayonner de l'énergie en radiofréquence et, s'il n'est pas installé et utilisé selon les instructions, peut occasionner des interférences nuisibles à la réception radio et télévisuelle, lesquelles deviennent manifestes en éteignant et allumant l'équipement. L'utilisateur peut essayer de corriger l'interférence par une ou l'autre des mesures suivantes:

- Réorienter ou déplacer l'antenne de réception.
- Accroître la distance entre l'équipement et le récepteur.
- Brancher l'appareil dans une prise avec un circuit électrique différent de celui où le récepteur est branché.
- Consulter le détaillant ou un technicien expérimenté en radio/TV afin d'obtenir de l'aide.

Le fonctionnement est assujéti aux deux condition suivantes:

- (1) Ce dispositif n'occasionnera pas d'interférence nuisible.
- (2) Ce dispositif doit accepter toute interférence reçue, incluant des interférences qui peuvent occasionner des fonctionnements non désirés.

Pour toutes questions sur nos produits, veuillez contacter le service à clientèle de Real Flame au 1-800-654-1704.

SÉLECTION ET PRÉPARATION DU LIEU CHOISI



AVERTISSEMENT

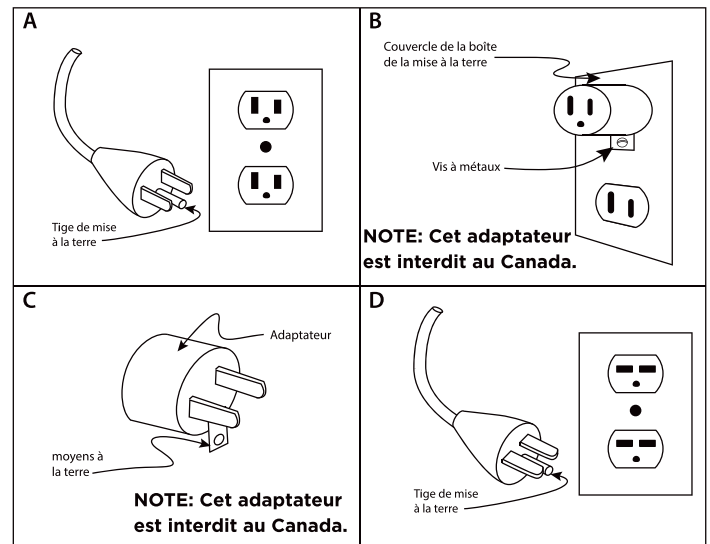
Vous assurer que le cordon d'alimentation est installé de façon à ce qu'il ne soit pas coincé ou mis sur un rebord tranchant, et vous assurer qu'il est mis à un endroit qui soit bien protégé pour éviter que l'on trébuche ou qu'il nuise à une bonne circulation afin de réduire le risque d'incendie, de décharge électrique ou de blessures.

Les constructions et le câblage des prises de courant doivent respecter les codes de bâtiment en vigueur dans votre région ainsi que tous les règlements applicables pour réduire le risque d'incendie, de décharge électrique ou de blessures.

Ne pas tenter de faire le câblage de votre circuit électrique vous-même. Afin de réduire le risque d'incendie, de décharge électrique et de blessures, toujours faire appel à un électricien agréé.

Voir la figure 1 pour l'instruction de mise à la terre. Vous devez utiliser cet appareil de chauffage sur un circuit de 120 volts. Le cordon d'alimentation possède une fiche comme il est illustré en « A » de la figure 1. Un adaptateur tel qu'illustré à la figure « C » est disponible pour brancher une fiche à trois broches avec mise à la terre dans une prise à deux fentes. La patte verte de mise à la terre sortant de l'adaptateur doit être branchée à une mise à la terre permanente telle qu'une boîte à prises correctement mise à la masse. L'adaptateur ne devrait pas être utilisé si une prise à trois fentes mise à la terre est disponible.

Fig. 1



Remarques

- Le foyer encastrable est livré complètement assemblé et câblé.
- Les dimensions assemblées du foyer sont 64,8" de large x 23,9" de haut x 14,7" de profondeur.
- Vous devez laisser 1/4" autour du foyer pour faciliter l'installation.
- Ce foyer ne requiert aucune ventilation.

Choisir l'endroit souhaité pour votre installation. Il devrait être non humide, éloigné des rideaux, des meubles et des passages fréquents. Pour faciliter le raccordement de votre foyer au circuit électrique, choisir un endroit près d'une prise électrique existante.

UTILISATION ET FONCTIONNALITÉS

Utilisation de la Télécommande

Alimentation (Veille)

Cela permet de mettre l'appareil en position ON/OFF (MARCHE/ARRÊT) lors du mode Veille.

Réglage de la brillance

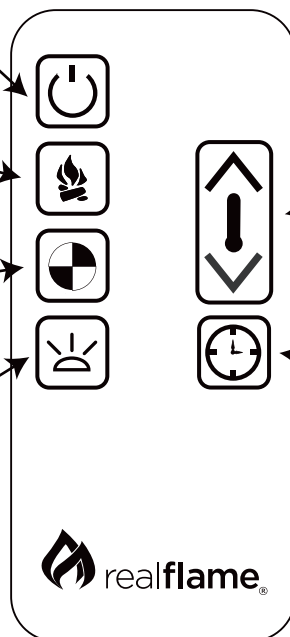
Cela vous permet de changer la couleur de la lumière.

Couleur de la flamme

Ce bouton permet de modifier la couleur de la flamme.

Réglage de la luminosité

Cela permet d'augmenter ou de réduire le niveau de luminosité de la flamme.



Thermostat

Allume et éteint le chauffage.

Arrêt automatisé

Vous permet un arrêt automatique après le temps affiché sur l'écran. La minuterie peut être réglée de 30 minutes à 6 heures.

Utilisation de panneau de contrôle

Réglage de la température

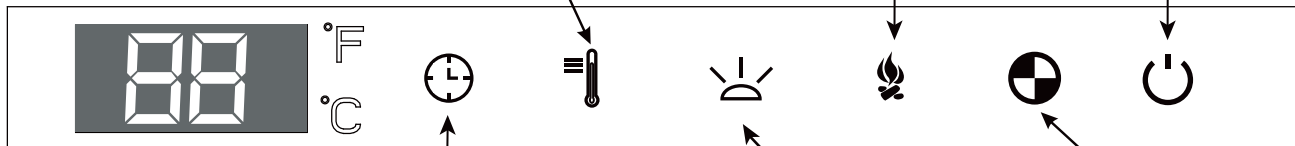
Cette fonction vous offre un cycle de différents niveaux de température.

Réglage de la luminosité

Cela permet d'augmenter ou de réduire le niveau de luminosité de la flamme.

Alimentation (Veille)

Cela permet de mettre l'appareil en position ON/OFF (MARCHE/ARRÊT) lors du mode Veille.



Arrêt automatisé

Vous permet un arrêt automatique après le temps affiché sur l'écran. La minuterie peut être réglée de 30 minutes à 6 heures.

Couleur de la flamme

Ce bouton permet de modifier la couleur de la flamme.

Réglage de la brillance

Cela vous permet de changer la couleur de la lumière.

UTILISATION ET FONCTIONNALITÉS

⚠ REMARQUE Même si le dispositif de chauffage est à l'arrêt, le ventilateur fonctionne toujours pour éviter toute surchauffe.

⚠ NOTE Si l'écran d'affichage indique 88 ou EE, vérifiez que toutes les bouches d'aération de la chambre de combustion ne contiennent aucune obstruction, puis débranchez la cheminée et rebranchez-la pour réinitialiser la chambre de combustion. Si ce problème persiste, contactez Real Flame au 1-800-654-1704.

NETTOYAGE ET ENTRETIEN

Remplacement de la pile

- Faire glisser le couvercle de la pile en pressant le levier de déverrouillage et retirer la pile. Voir la face intérieure de la télécommande pour les instructions.
- Remplacer la pile morte avec une pile CR2025. Aucune pile de remplacement n'est fournie avec la chambre de combustion.
- Ne pas jeter la pile morte avec les déchets municipaux. Les piles doivent être envoyées à un dépôt local pour le recyclage des piles.
- Refermer le couvercle de la pile.

Diode électroluminescente

Cette chambre de combustion est pourvue d'ampoules DEL et non d'ampoules conventionnelles. Elles génèrent la même lumière, mais utilisent une fraction de l'énergie. Ces ampoules DEL ne requièrent aucun soin et ne devraient pas avoir besoin d'être remplacées pour toute la durée de vie de ce produit.

Nettoyage

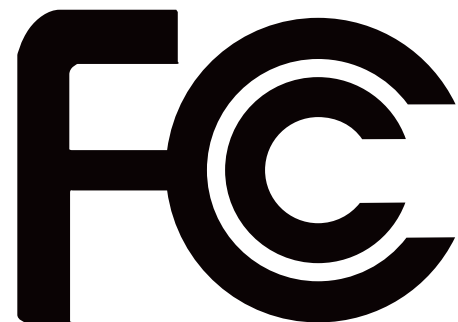
⚠ AVERTISSEMENT Débrancher toujours avant de procéder à un entretien ou un nettoyage afin de réduire le risque d'incendie, de décharge électrique, de blessures ou de mort.

⚠ ATTENTION Lors d'un transport ou de l'entreposage de l'appareil et de son cordon d'alimentation, garder toujours l'endroit sec, exempt de vibration et entreposer de façon à éviter des bris.

- Épousseter l'appareil en utilisant un chiffon propre et sec.
- Utiliser une eau tiède et un chiffon propre pour essuyer toutes les surfaces peintes. Ne pas utiliser de nettoyant abrasif.
- Utiliser un nettoyant pour verre pour nettoyer le panneau de verre de l'appareil.



Approuvé pour un usage au
Canada et aux États-Unis.



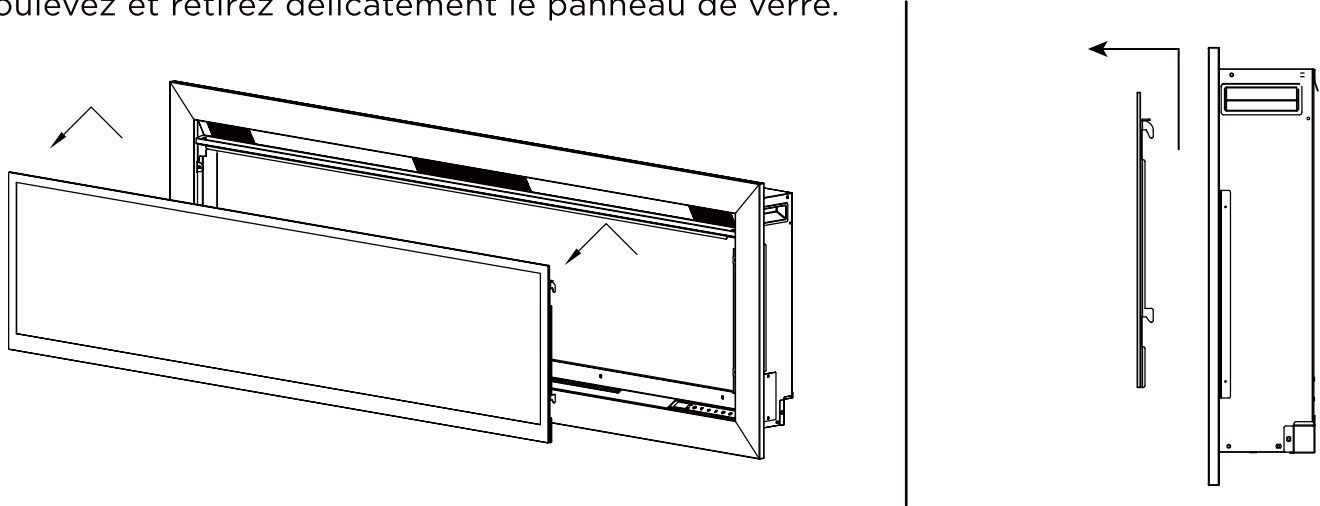
Installation du foyer: Méthode A

⚠ AVERTISSEMENT Lire et comprendre toutes les instructions avant d'installer cet appareil.

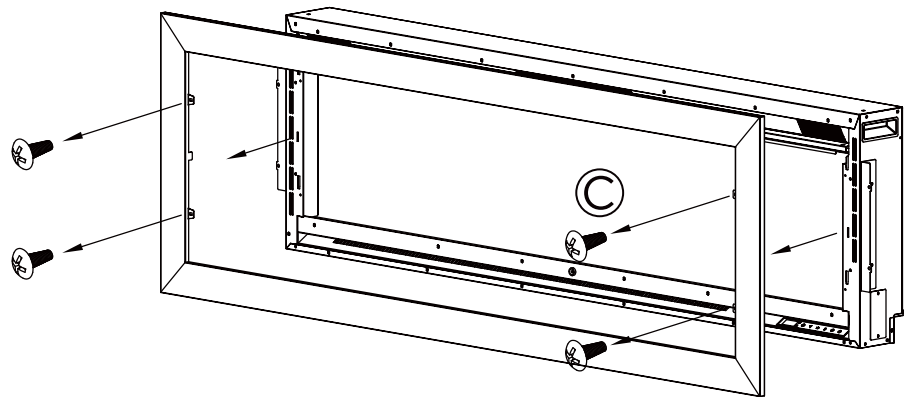
Remarque: Les méthodes d'installation A, B et C doivent être complétées par l'étape d'installation du cadre avant et de la vitre.

Méthode A: Suivez les étapes ci-dessous pour installer le foyer.

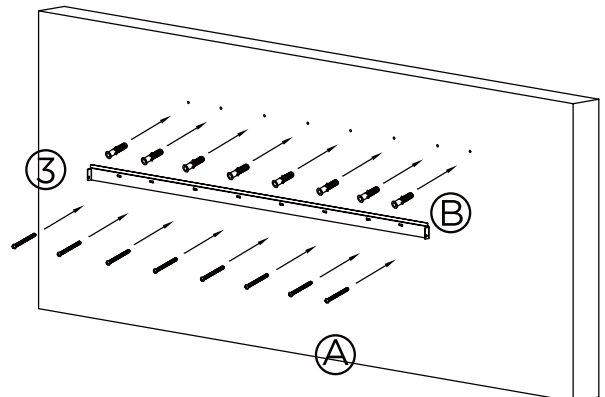
1.) Soulevez et retirez délicatement le panneau de verre.



2.) Retirez les vis (C), puis retirez le cadre.

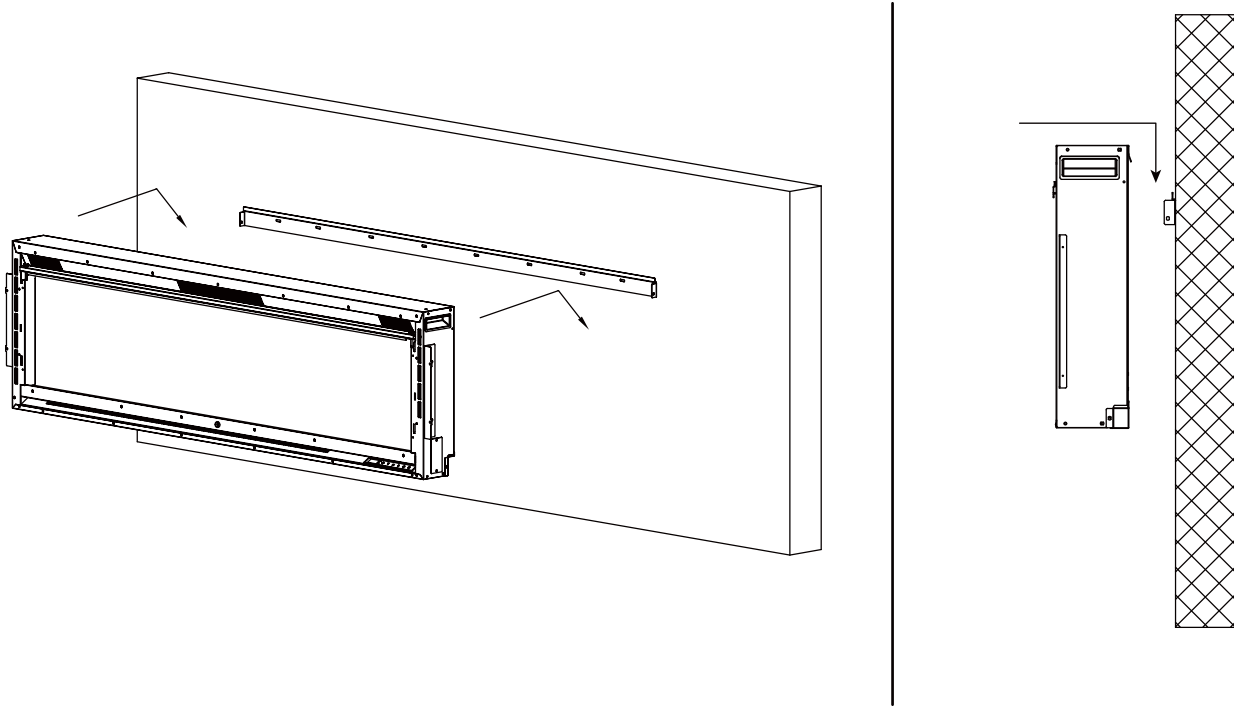


3.) Fixer le support de suspension mural (3) au mur à l'aide des vis (A) et ancrages pour cloisons sèches (B).

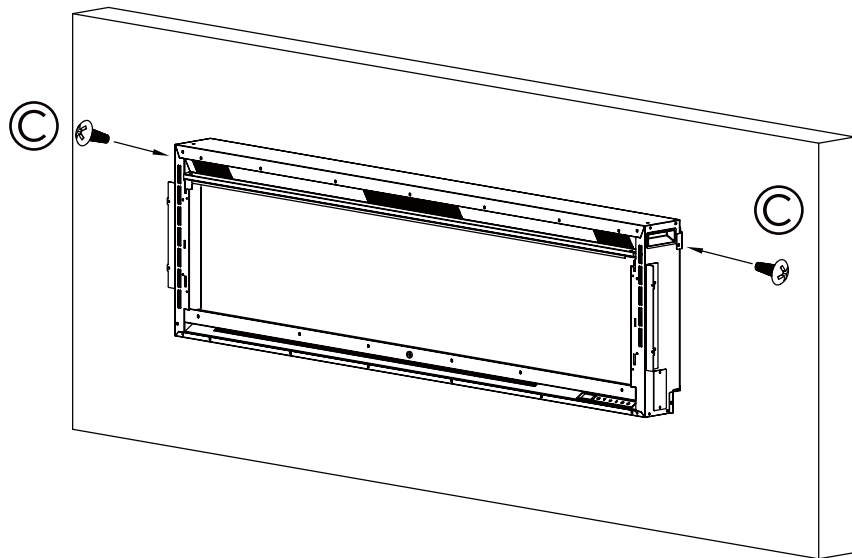


Installation du foyer: Méthode A

- 4.) Avec deux personnes, soulevez le foyer jusqu'au support de montage et placez le rebord du support de montage dans les ouvertures à l'arrière du foyer.



- 5.) Fixer le foyer à l'aide des vis (C).



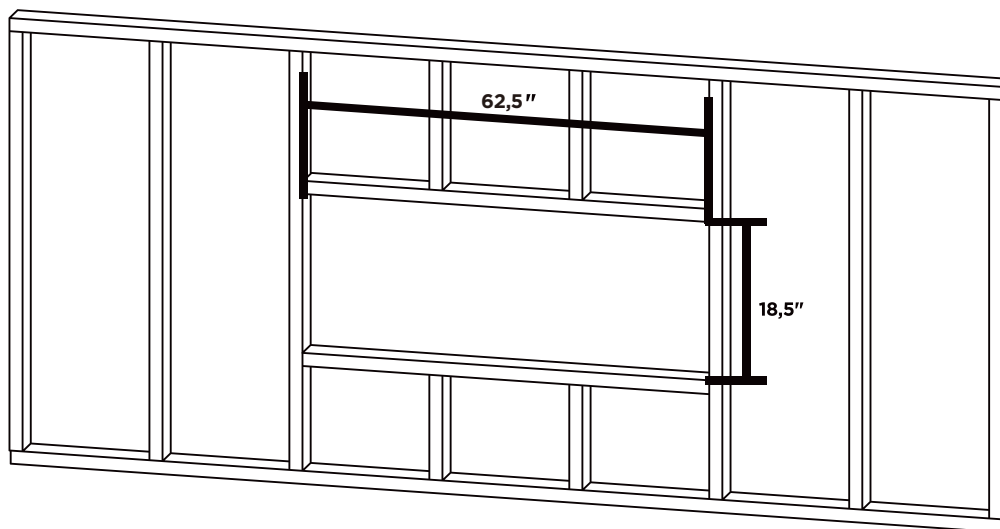
- 6.) Voir page 18 pour savoir comment installer la vitre avant et le remplissage.

Installation du foyer: Méthode B

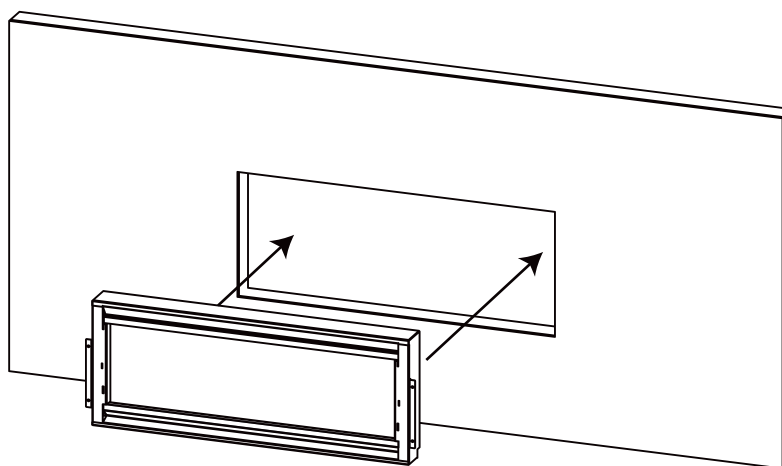
Remarque: Les méthodes d'installation A, B et C doivent être complétées par l'étape d'installation du cadre avant et de la vitre.

Méthode B: Suivez les étapes ci-dessous pour installer le foyer.

- 1.) L'ouverture de foyer. L'ouverture doit être comme indiqué cidessous.
62,5" de large x 18,5" de haut.

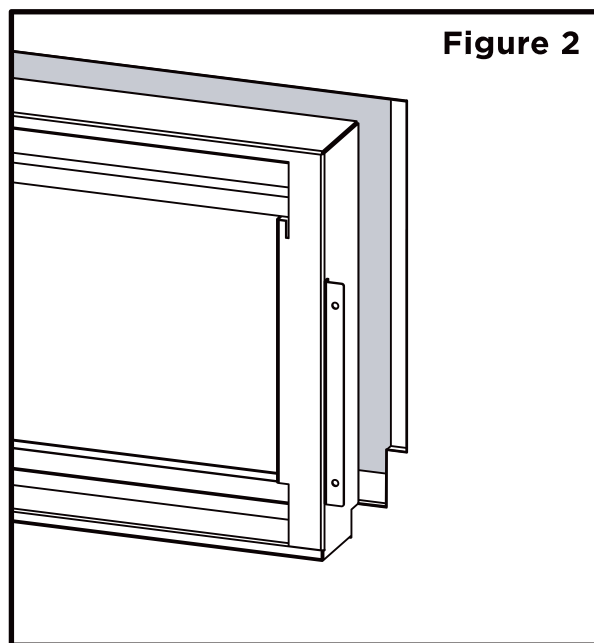
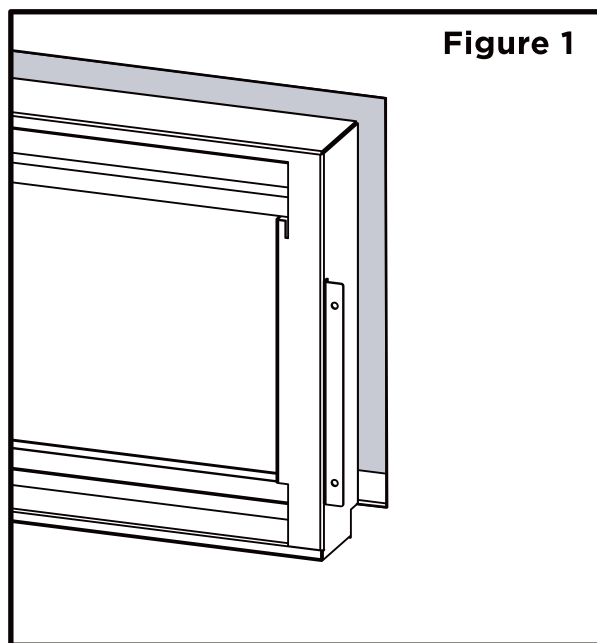


- 2.) Une fois la vitre et le cadre retirés, insérez le foyer dans l'ouverture murale pour tester l'ajustement de l'unité.

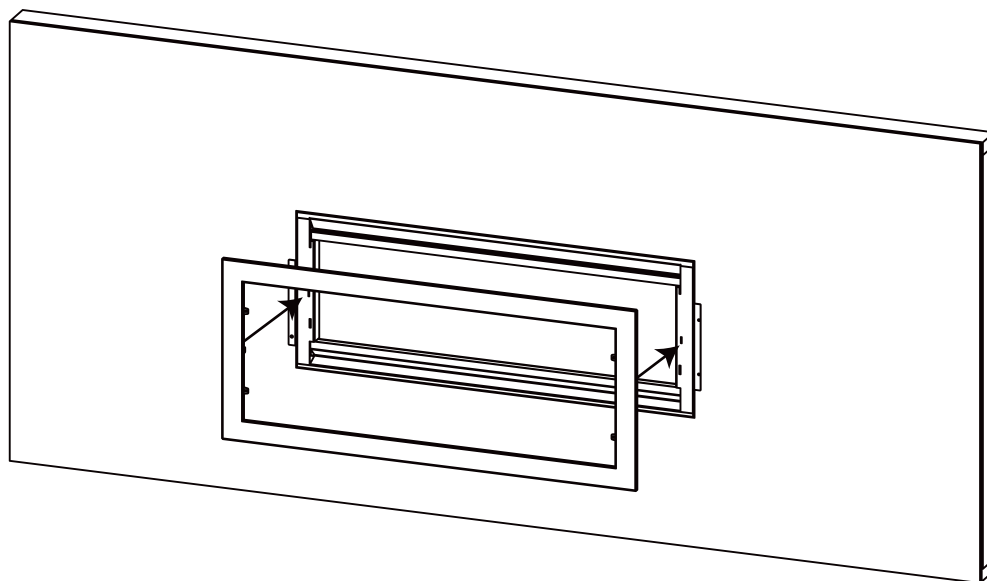


Installation du foyer: Méthode B

REMARQUE: Étant donné que les supports de montage sont réglables, le foyer peut être monté directement sur la cloison sèche (Figure 1) ou directement sur les montants en découpant une bande de cloison sèche (Figure 2).

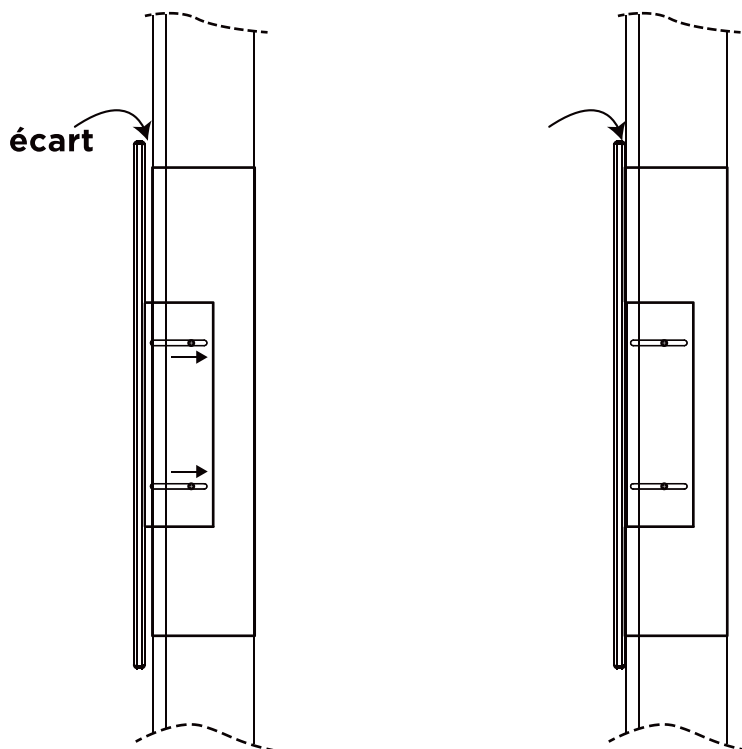


3.) Fixez le cadre au foyer et assurez-vous que le cadre affleure le mur.

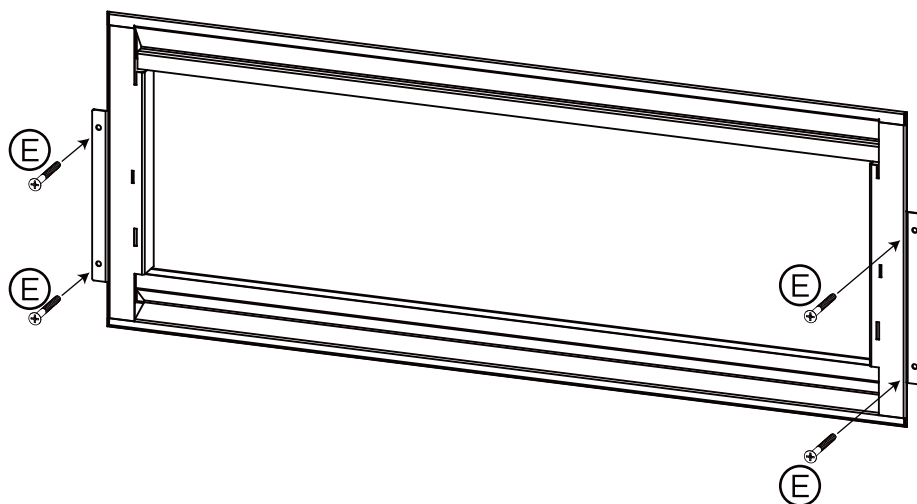


Installation du foyer: Méthode B

- 4.) S'il y a un espace entre le cadre et le mur, desserrez les vis du support et ajustez les supports à la profondeur souhaitée en fonction de votre mur.



- 5.) Une fois la profondeur confirmée, serrez les vis latérales pour fixer les plaques de montage en place. Replacez le foyer dans l'ouverture et fixez-le avec les vis incluses.



- 6.) Voir page 18 pour savoir comment installer la vitre avant et le remplissage.

Installation du foyer: Méthode B

Suivre les étapes ci-dessous pour réaliser le câblage.

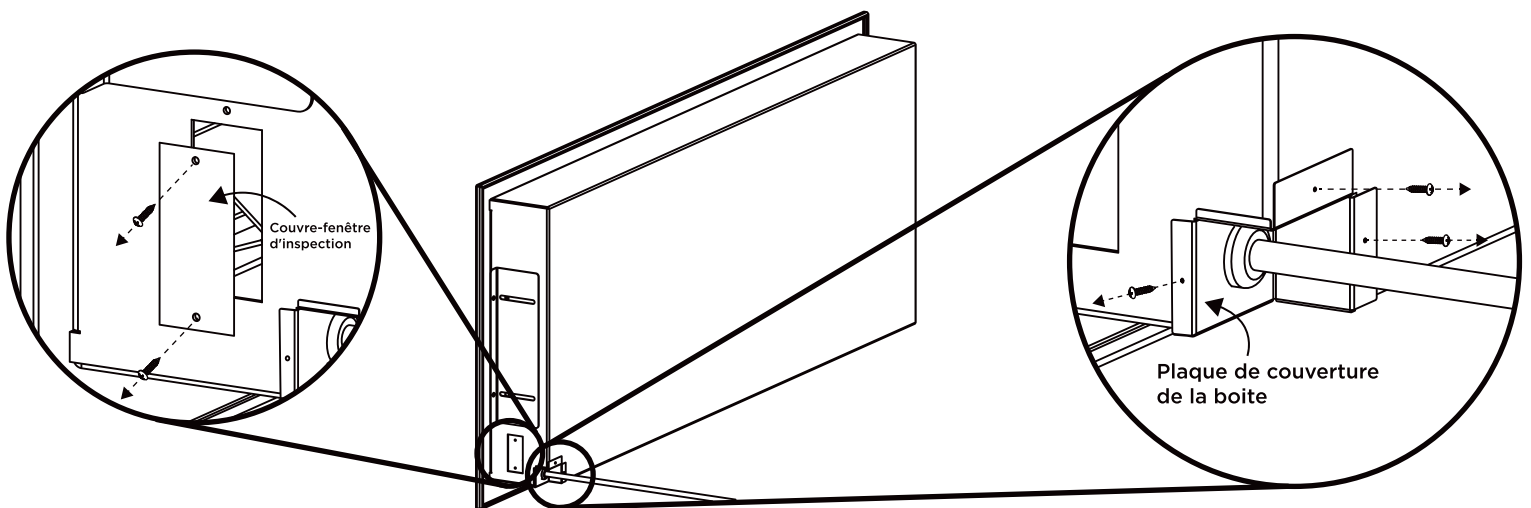
Remarque: En raison des écarts importants dans les codes locaux du bâtiment; un entrepreneur professionnel doit être consulté avant de commencer cette méthode d'installation pour s'assurer que l'installation est conforme aux exigences locales.

S'il est nécessaire de câbler ce foyer, un électricien qualifié doit retirer la connexion du cordon et raccorder le foyer directement au câblage domestique. Le disjoncteur dédié et le disjoncteur d'alimentation doivent être calibrés pour 120 V, minimum 15 ampères. Le foyer doit être connecté électriquement et mis à la terre conformément aux codes locaux.

En l'absence de codes locaux, utilisez le Code canadien de l'électricité CSA C22.1 en vigueur au Canada ou le Code national de l'électricité ANSI/NFPA 70 en vigueur aux États-Unis.

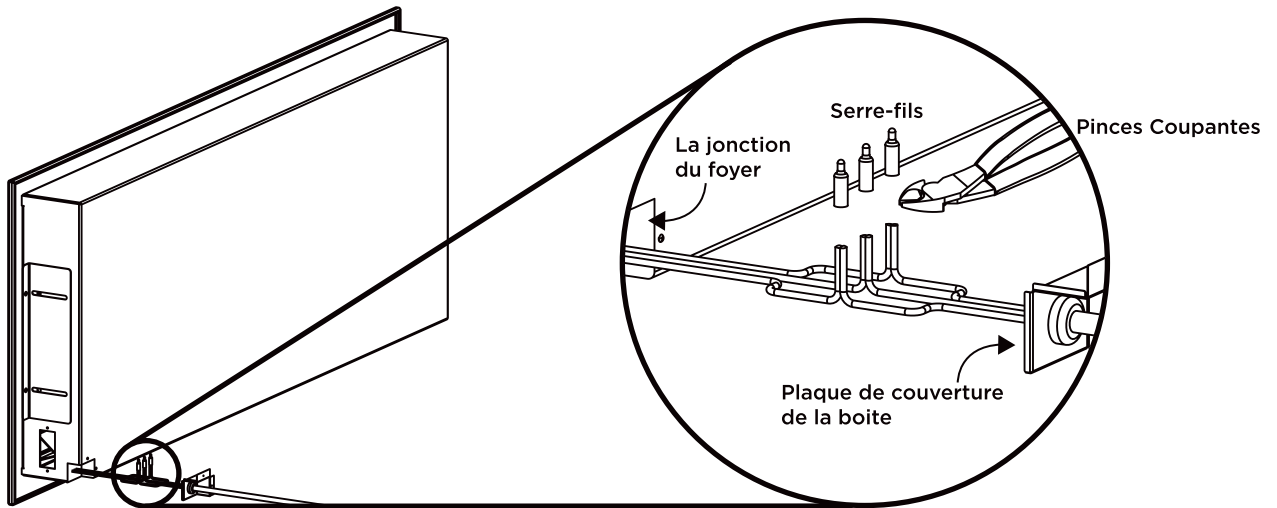
Il y a 3 fils: blanc (neutre), noir (alimentation) et jaune/vert (terre) qui se connectent à l'alimentation 120V (panneau de disjoncteurs). Voir ci-dessous.

- 1.) Retirez 5 vis de la plaque de couverture de la boîte de jonction et de la fenêtre d'inspection, situées à l'arrière et sur le côté gauche du foyer. Localisez le faisceau de cordons.

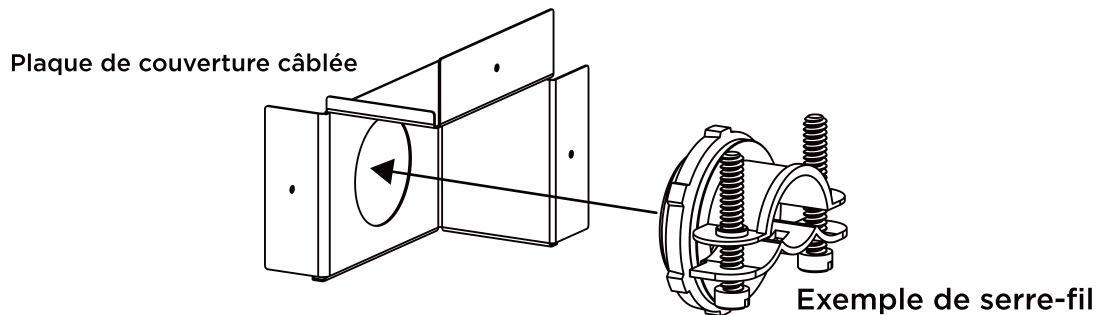


Installation du foyer: Méthode B

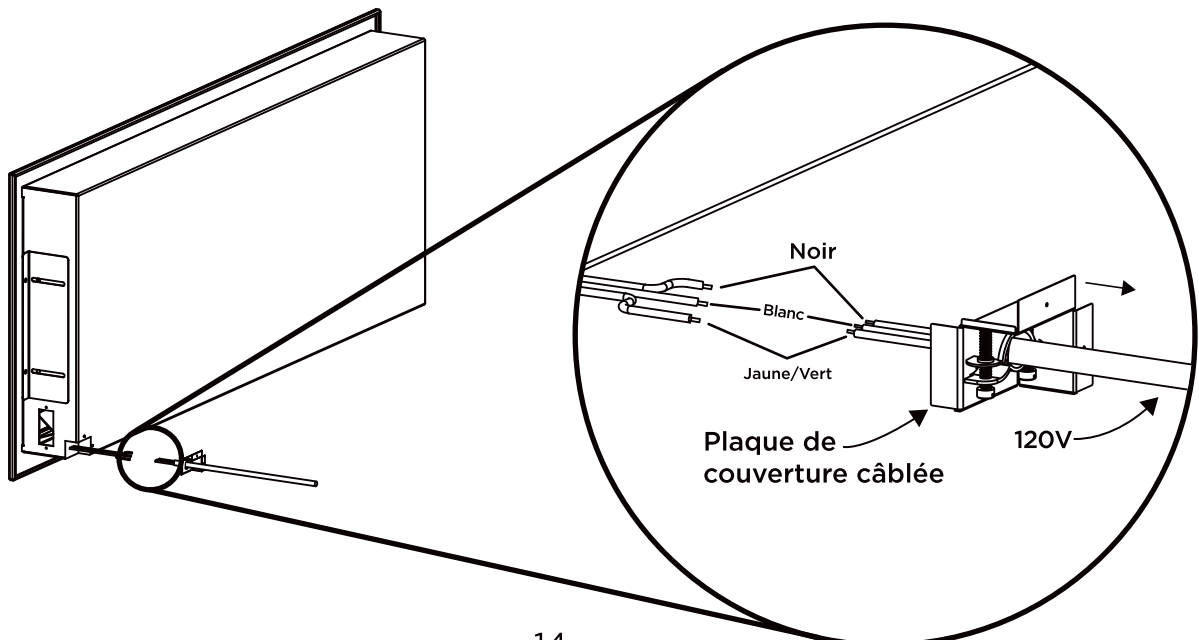
- 2.)** Séparez les fils noir, blanc et vert/jaune du faisceau de câbles, en retirant les attaches de câble si nécessaire. Débranchez les fils en coupant soigneusement les pinces qui fixent les fils terminaux au cordon d'alimentation.



- 3-1.)** Fixez la pince (non incluse) à la plaque de recouvrement du câble. Le type de pince nécessaire peut varier en fonction des codes locaux.

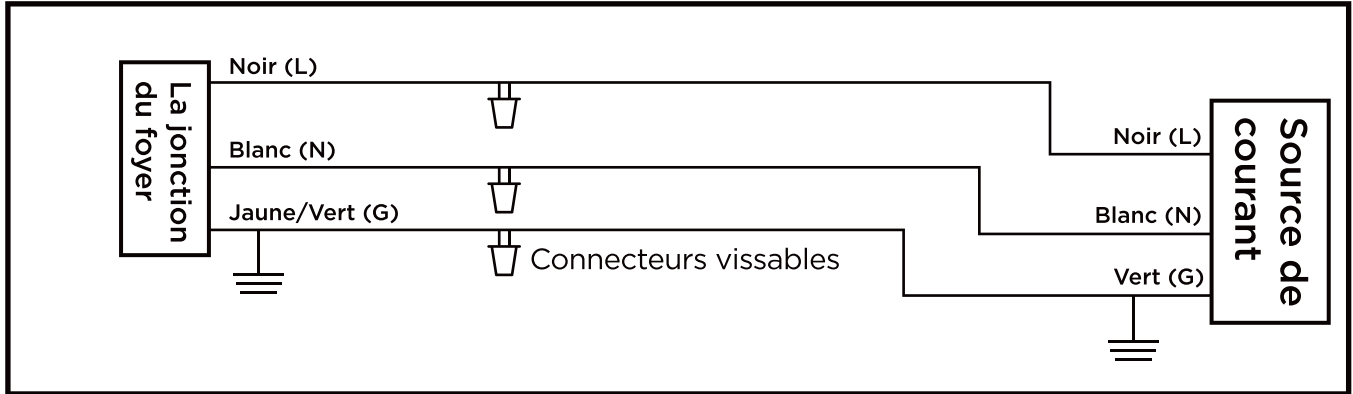


- 3-2.)** Faites passer les fils du cordon d'alimentation à travers la plaque de recouvrement du fil dur et serrez et fixez en place avec la pince. Connectez le fil vert/jaune (G) au fil de terre d'alimentation, le fil blanc (N) au neutre d'alimentation et le fil noir (L) au fil noir d'alimentation (L). Fixez avec connecteurs vissables.

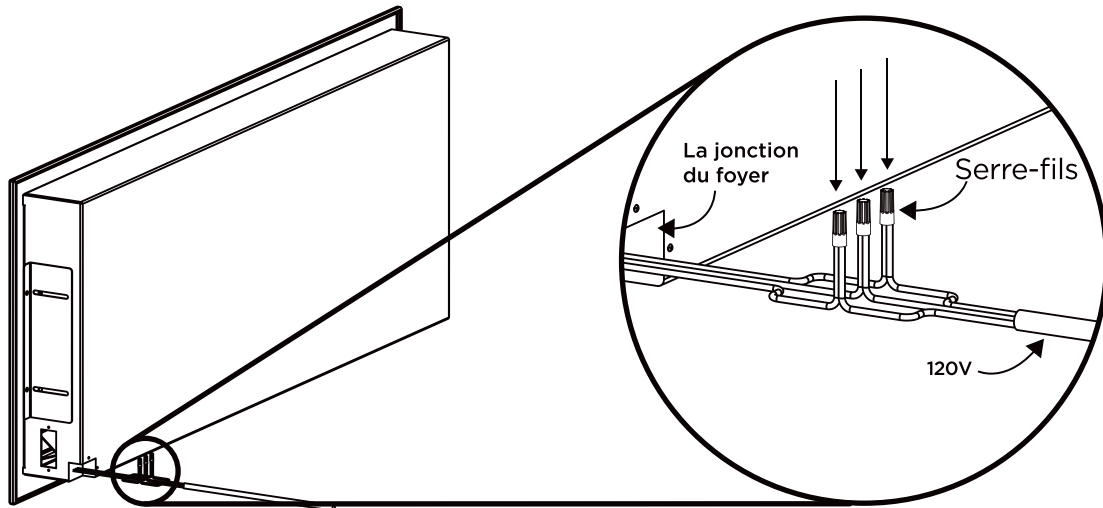


Installation du foyer: Méthode B

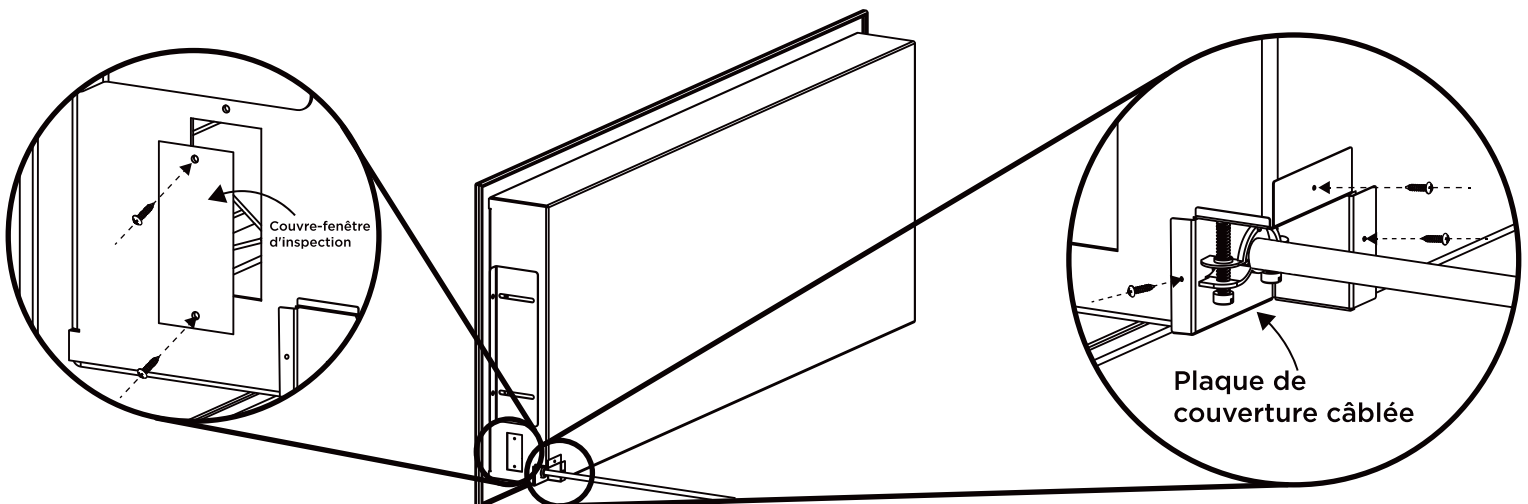
Diagramme



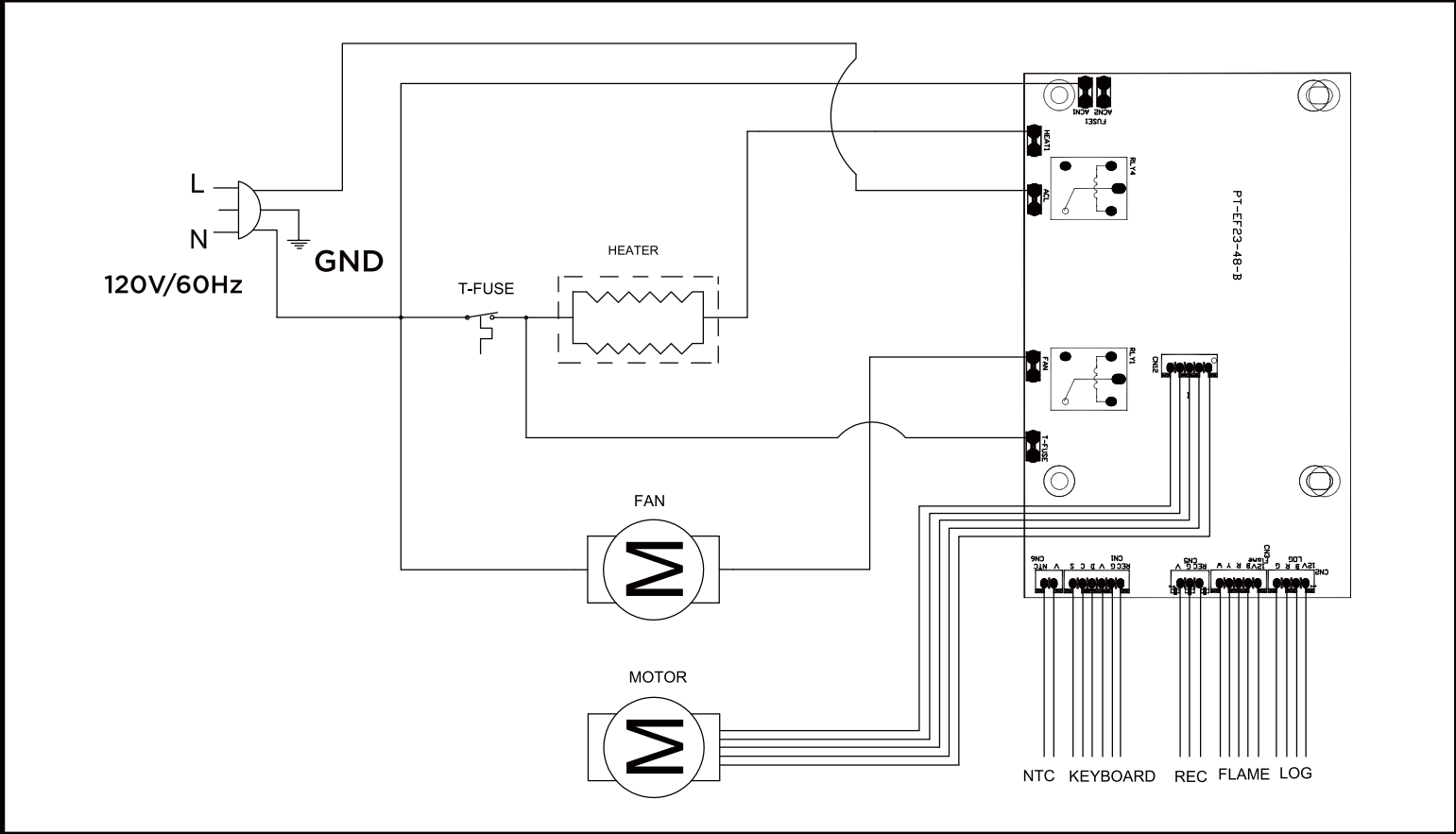
3-3.) Fixez les fils avec des connecteurs vissables.



4.) Poussez délicatement le faisceau de cordons dans le foyer. Vérifiez la connexion à travers la fenêtre d'inspection pour vous assurer que les serre-fils sont en place. Utilisez les 3 vis retirées précédemment à l'étape 1. Fixez le couvercle de la fenêtre d'inspection.



Installation du foyer: Méthode B

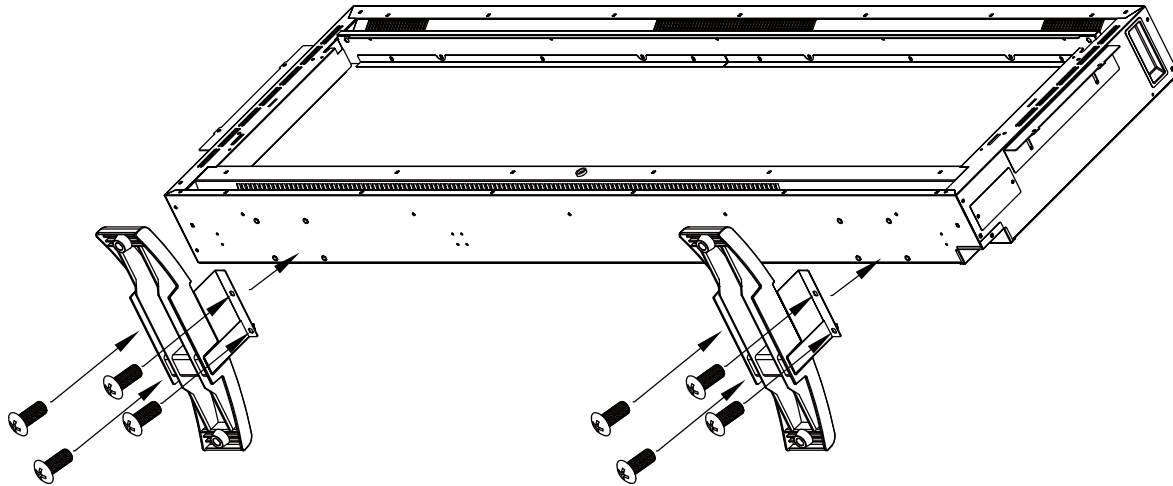


Installation du foyer: Méthode C

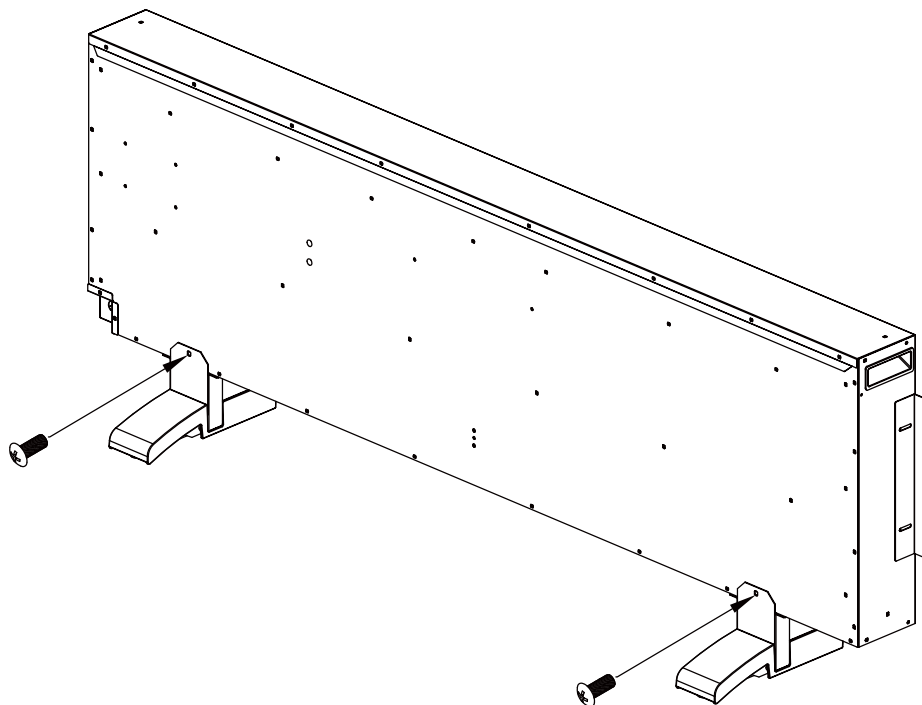
Remarque: Les méthodes d'installation A, B et C doivent être complétées par l'étape d'installation du cadre avant et de la vitre.

Méthode C: Suivre les étapes ci-dessous pour installer le support de foyer électrique.

1.) Fixez les pieds (9) au foyer à l'aide des vis (H) incluses.



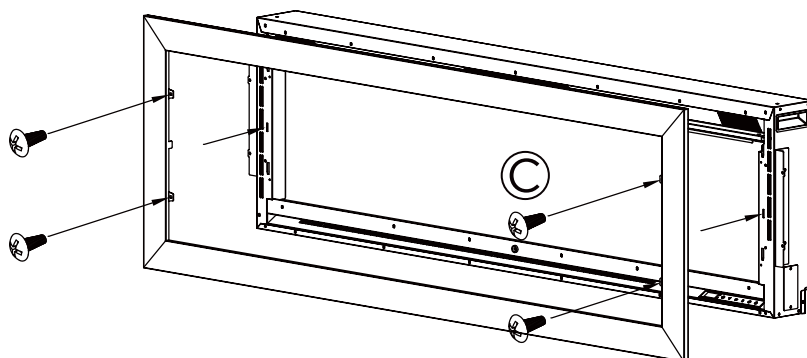
2.) Réglez à la verticale et serrez complètement les vis (H) derrière le foyer électrique.



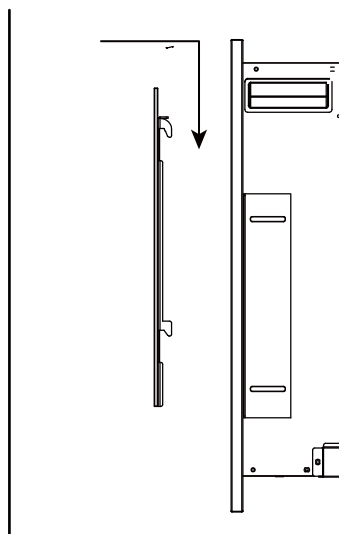
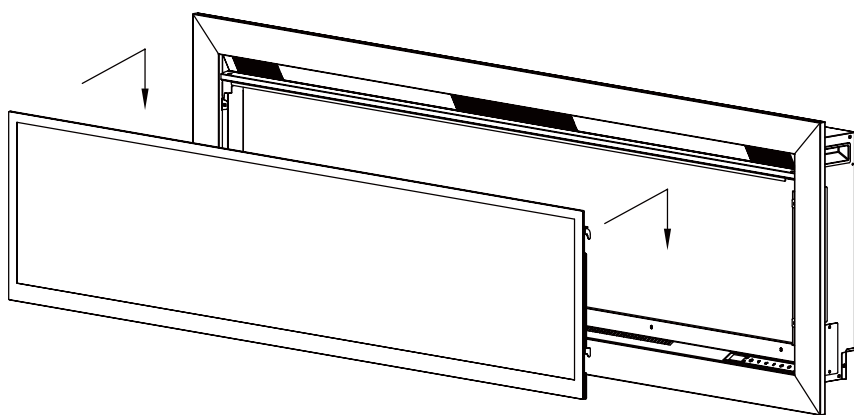
Installation du foyer

Suivez les étapes ci-dessous pour installer le foyer.

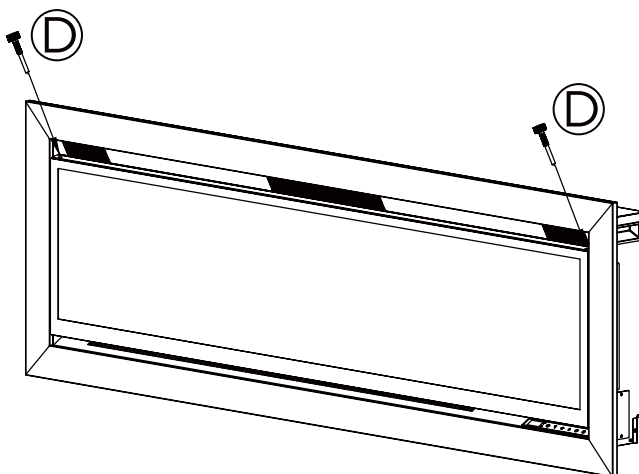
- 1.) Choisir les bûches (5), Les cristaux (6) ou les pierres (7) pour le fond du foyer. Installer le cadre avant à l'aide de quatre vis (C).



- 2.) Installer la vitre en alignant les attaches avec les ouvertures à l'avant du foyer. La charge peut être changée à tout moment en retirant le verre et en répétant ces étapes.



- 3.) Fixer la vitre à l'aide des deux vis restantes (D) dans les coins supérieurs gauche et droit du cadre.



GARANTIE

Garantie limitée

Real Flame® garantit que les composants suivants de ce foyer Real Flame® (« le Produit ») seront exempts de défauts de fabrication de matériaux et de main d'œuvre après un assemblage correct et dans des conditions normales d'utilisation et d'entretien pour les périodes indiquées ci-dessous, à compter de la date d'achat du Produit :

- Le corps - Garantie limitée de 1 an.
- Les composants internes - Garantie limitée de 1 an.

Cette garantie ne s'applique qu'à l'acheteur d'origine, à condition que l'achat ait été effectué auprès d'un revendeur agréé Real Flame. La garantie est également soumise aux conditions et limitations suivantes :

Cette garantie ne s'étend pas aux dommages causés par l'expédition, un assemblage, une installation ou un entreposage incorrects, une installation non conforme aux codes et normes du bâtiment, une installation ou un fonctionnement non conforme au manuel inclus, des abus, un manque d'entretien, des environnements hostiles, un accident, les intempéries ou les réparations impropres. La modification du produit, l'utilisation de carburants autres que ceux approuvés par Real Flame ou l'utilisation de pièces installées d'autres fabricants annulera cette garantie.

Cette garantie s'applique uniquement au fonctionnement du produit et ne couvre pas les problèmes cosmétiques tels que les rayures, les bosses, la rouille, l'oxydation, la corrosion ou la décoloration causées par la chaleur, zones décolorées ou fissurées en raison d'une exposition prolongée à une chaleur extrême, les nettoyeurs abrasifs et les nettoyeurs chimiques. Cependant, si une détérioration des pièces se produit au point de non-performance pendant la durée de la période de garantie, Real Flame fournira une pièce de rechange.

Real Flame nécessite une preuve raisonnable de votre date d'achat. Par conséquent, vous devez conserver votre reçu de caisse et / ou votre facture. Les pièces défectueuses soumises à cette garantie ne seront pas remplacées sans preuve d'achat.

Real Flame doit avoir la possibilité de vérifier le défaut allégué. Pour que tous les composants internes soient couverts par la garantie, Real Flame demande à l'utilisateur d'obtenir de l'aide auprès d'un membre du service client Real Flame pour assurer le bon fonctionnement et le diagnostic du problème.

En cas de défauts couverts d'articles garantis, Real Flame remplacera, à sa seule discrétion, le composant défectueux, le produit ou remboursera le prix d'achat. Real Flame n'est pas responsable de l'installation, de la main-d'œuvre ou de tout autre coût associé à la réinstallation. Ce qui précède est le recours exclusif aux termes de cette garantie limitée. Real Flame ne sera pas responsable des dommages accessoires ou indirects causés par des défauts dans le produit. Certains états n'autorisent pas l'exclusion ou la limitation des dommages accessoires ou indirects, de sorte que la limitation ou l'exclusion ci-dessus peut ne pas s'appliquer à vous.

Cette garantie limitée est la seule garantie donnée par Real Flame. La durée de toute garantie implicite découlant des lois de tout État, y compris la garantie implicite de qualité marchande ou d'adéquation à un usage ou à un usage particulier, est limitée à la durée de la garantie spécifiée ci-dessus. Certains États n'autorisent pas les limitations de la durée d'une garantie implicite, il se peut donc que cette limitation ne s'applique pas à vous.

Cette garantie vous donne des droits légaux spécifiques, et vous pouvez également avoir d'autres droits qui varient d'un État à l'autre.

Pour le service de garantie :

1. Contacter le service à la clientèle Real Flame au 1-800-654-1704 pour le support technique et le dépannage.
2. Si vous rencontrez des problèmes avec la finition, veuillez remplir le formulaire « Réclamation de garantie extérieure » sur www.realflame.com.

POLITIQUES DE RETOUR

Politiques de retour

L'achat peut être retourné dans les 90 jours suivant la réception. Il n'y aura aucun remboursement pour des retours incomplets ou non autorisés. Tous les produits retournés doivent être à 100 % complets, emballés d'une manière adéquate, dans l'emballage original et dans une condition revendable. Les produits qui ont été assemblés ou modifiés ne seront pas admissibles au retour. Tous les éléments doivent être retournés dans leur intégralité, ce qui signifie que tous les éléments inclus doivent être retournés ensemble. Aucuns échanges ou retours pour les articles retirés. Commencer le processus de retour en contactant le magasin ou l'entreprise où l'article Real Flame® a été acheté.

Pièces de remplacement

Dans le cas où un article ait été perdu ou détérioré, soit par le fabricant ou pendant le transport, une pièce de remplacement peut être demandée. Les pièces de remplacement ne sont pas disponibles pour tous les appareils et sont données à la discrétion de Real Flame. Nous évaluerons tout dommage et trouverons une solution, ce qui pourrait inclure la livraison du remplacement. Nous ne pouvons pas remplacer les articles retirés ou les produits réemballés (emballage ouvert). Appeler le Service à la clientèle de Real Flame 800-654-1704 pour les pièces de remplacement avant de retourner l'article endommagé. Avoir les informations suivantes (qui se trouvent dans le manuel d'utilisation) avant d'appeler le Service à la clientèle :

- Numéro de modèle de l'article
- Numéro de référence de 4-8 chiffres
- Numéro de code de lot
- Adresse de livraison
- Une photo de l'article endommagé peut être demandée. Les photos doivent être envoyées à csrep@realflame.com

Commande incorrecte reçue

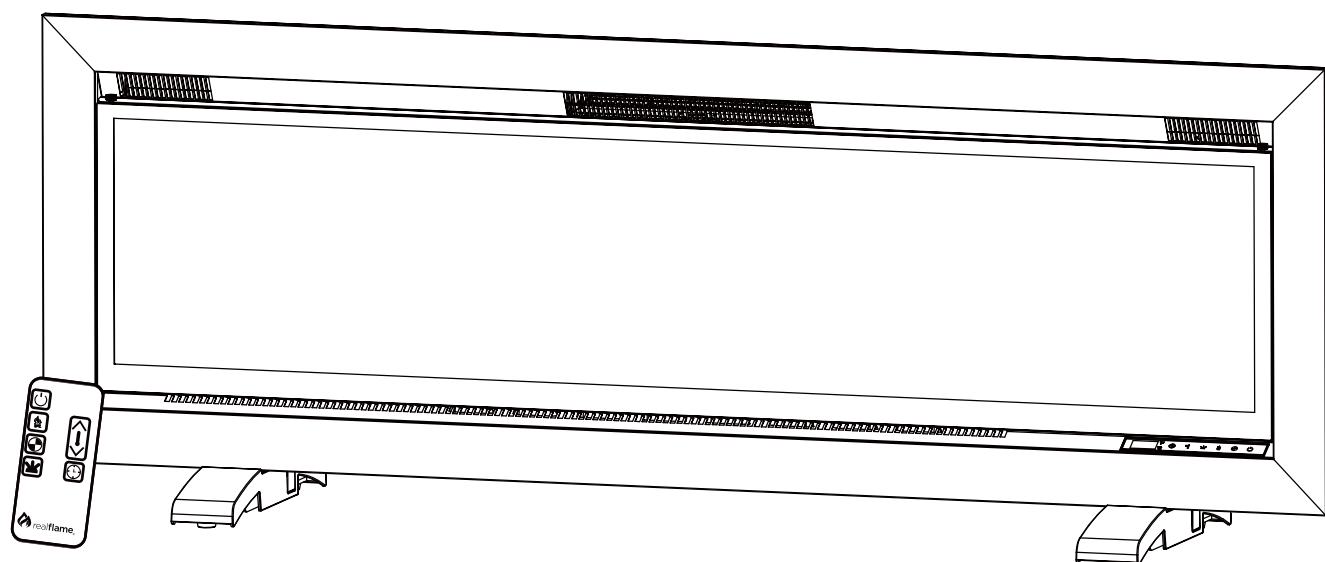
En cas de la réception de quelque chose d'autre que ce qui a été commandé, contacter le Service à la clientèle de Real Flame au 800-654-1704 dans un délai de 48 heures après avoir reçu l'article.

Consulter www.realflame.com pour nos directives et nos politiques de retour complètes.

Veuillez enregistrer votre foyer pour recevoir les notifications de rappel, les preuves de propriété et l'assurance qualité à l'adresse <https://www.realflame.com/registration>.

Real Flame®
7800 Northwestern Ave.
Racine, WI 53406
USA

Customer Service: 1-800-654-1704 in USA
Service à la clientèle: 1-800-363-6443 in Canada
csrep@realflame.com



5560
Manual del propietario

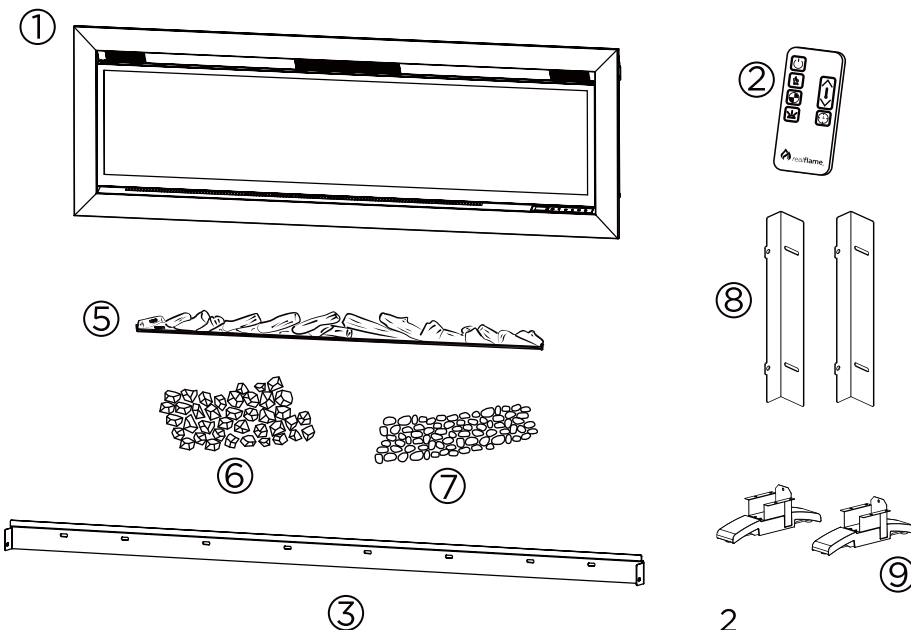
English • Français • Español



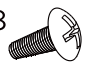
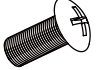
ÍNDICE

Instrucciones importantes de seguridad.....	3
Selección y preparación del sitio.....	5
Características y operación.....	6
Cuidado y mantenimiento.....	7
Instalación.....	8
Instalación cableada.....	13
Garantía.....	19
Política de devolución.....	20

LISTA DE PARTES

Nombre	Número	Cant.
① Chimenea	N/A	1
② Control Remoto	55550001	1
③ Soporte de Montaje <small>(Nota: Adjunto al calefactor eléctrico)</small>	55600002	1
④ Kit de hardware	55600004	1
⑤ Conjunto de Leñas	55600005	1
⑥ Cristal	55600006	1
⑦ Piedras	55600007	1
⑧ Soporte	55600008	2
⑨ Apoyo	55550003	2



Kit de Hardware
A - Tornillos de Pared M5-52 Tornillo - x8 
B - Anclajes para paneles de yeso x8 
C - Instalación del marco frontal M4-8 Tornillo - x8 
D - Vidrio M5-35 Tornillo - x2 
E - M4 Tornillo M4-30 - x4 
G - Placa de cubierta de cableado 
H - Tuercas de alambre x3 
F - M5-10 Tornillo M5-10 - x12 

④

INSTRUCCIONES IMPORTANTES DE SEGURIDAD

AVISO IMPORTANTE Conserve esta guía para el usuario para consultarla en el futuro.

Siempre que se utilicen equipos eléctricos, deben tomarse precauciones básicas para reducir el riesgo de incendio, choque eléctrico y lesiones físicas. Entre estas precauciones se incluyen las siguientes:

1. Lea todas las instrucciones antes de utilizar este aparato.
2. Durante el uso, el calefactor se calienta. Evite tocar las superficies calientes con la piel descubierta para evitar quemaduras. El reborde que rodea la salida del calefactor se calienta durante el funcionamiento. Mantenga los materiales combustibles, como muebles, almohadones, ropa de cama, papeles, prendas de vestir y cortinas al menos a 3 pies (0,9 m) de distancia de las partes delantera, posterior y laterales de la unidad.
3. Se debe actuar con máxima prudencia si el calefactor es utilizado por niños o personas con discapacidades, o cerca de ellos, y cada vez que se deje el equipo en funcionamiento y sin supervisión.
4. Desenchufe el calefactor eléctrico en todos los casos mientras no lo utilice.
5. No ponga en funcionamiento el equipo si posee roturas en el cable o el enchufe, si el calefactor ha estado funcionando mal o si se ha caído o roto de cualquier otra manera. Lleve el calefactor a un centro autorizado de servicio técnico para su revisión, reparación o la realización de ajustes eléctricos o mecánicos.
6. No lo utilice al aire libre.
7. Este calefactor no fue diseñado para su uso en baños, lavaderos ni habitaciones de características similares. Nunca coloque el calefactor en un lugar desde el que pueda caer dentro de una bañera o cualquier otro recipiente con agua.
8. No realice el tendido del cable por debajo de alfombras, muebles ni electrodomésticos. No cubra el cable con alfombrillas, tapetes o materiales similares. Coloque el cable alejado de áreas de alto tránsito, donde nadie se tropiece con él.
9. Para desconectar la unidad, apague el hogar y, a continuación, quite el enchufe del tomacorriente.
10. Conéctelo solamente a tomacorrientes con la conexión a tierra adecuada.
11. No introduzca ni permita la entrada de objetos extraños en las aberturas de ventilación o escape ya que podría ocasionar un choque eléctrico, incendio o la rotura del calefactor.
12. Para evitar un posible incendio, no obstruya la entrada ni la salida de aire de ninguna manera. No lo coloque sobre superficies blandas, como camas, ya que las aberturas podrían quedar obstruidas.
13. Todos los calefactores eléctricos poseen piezas calientes o que generan chispas o arcos eléctricos en su interior. No lo utilice en zonas en las que se empleen o guarden gasolina, pintura o líquidos inflamables, ni en lugares en los que la unidad esté expuesta a vapores inflamables.
14. No modifique el calefactor eléctrico. Utilícelo exclusivamente según se describe en este manual. Cualquier otro uso no recomendado por el fabricante puede provocar incendios, choques eléctricos, lesiones o la muerte.
15. No queme madera u otros materiales en el calefactor eléctrico.
16. No golpee el panel de vidrio.
17. Consulte a un electricista matriculado cada vez que precise nuevos circuitos o tomacorrientes.

Acerca del vidrio

1. Este producto no debe ponerse en funcionamiento en ninguna circunstancia si el panel de vidrio se encuentra roto o astillado.
2. No golpee ni cierre de golpe el vidrio.
3. No use limpiadores abrasivos para limpiar el vidrio.
4. Este producto posee vidrio templado.

INSTRUCCIONES IMPORTANTES DE SEGURIDAD

CONSERVE ESTAS INSTRUCCIONES

ADVERTENCIA



- Riesgo de choque eléctrico.
- No abrir.
- Contiene piezas que no pueden ser reparadas por el usuario.

DESCRIPCIÓN DE LAS ADVERTENCIAS

NOTA


Procedimientos y técnicas cuya importancia es suficiente para enfatizarlos.

PRECAUCIÓN

Procedimientos y técnicas que, de no seguirse con cuidado, producen daños al equipo.

ADVERTENCIA


Procedimientos y técnicas que, de no seguirse con cuidado, exponen al usuario a riesgos de incendio, lesiones graves, enfermedad o muerte.

 **NOTA** Este aparato se ha sometido a pruebas y se ha determinado que cumple con los límites correspondientes a dispositivos digitales de Clase B, de acuerdo con la sección 15 de las normas de la Comisión Federal de Comunicaciones (FCC) de los EE. UU. El objetivo de estos límites es ofrecer protección razonable contra las interferencias perjudiciales en instalaciones residenciales. Este aparato genera, utiliza y es capaz de irradiar energía de radiofrecuencia. Si no se lo instala y utiliza de acuerdo con las instrucciones, puede generar interferencias perjudiciales para la recepción de radio o televisión, lo cual puede confirmarse apagando y encendiendo el equipo. Se recomienda al usuario intentar corregir la interferencia mediante una o más de las siguientes acciones:

- Modificar la orientación o ubicación de la antena receptora.
- Aumentar la separación entre el equipo y el receptor.
- Conectar el equipo a un tomacorriente que no pertenezca al mismo circuito al que está conectado el receptor.
- Consultar al distribuidor o a un técnico de radio/televisión con experiencia para obtener ayuda.

El funcionamiento está sujeto a las dos condiciones siguientes:

- (1) Este dispositivo no debe provocar interferencias y;
- (2) Este dispositivo debe aceptar cualquier interferencia, inclusive las que pudieran provocar un funcionamiento distinto al deseado.

 **NOTA** Requiere un circuito de 15 A y 120 V. Es preferible contar con un circuito exclusivo, pero no es imprescindible en todos los casos. Es necesario un circuito exclusivo si, después de la instalación, el disyuntor se acciona o salta el fusible periódicamente al utilizar el calefactor. La conexión de otros aparatos al mismo circuito puede exceder la capacidad nominal de corriente del disyuntor.

SELECCIÓN Y PREPARACIÓN DEL SITIO

ADVERTENCIA

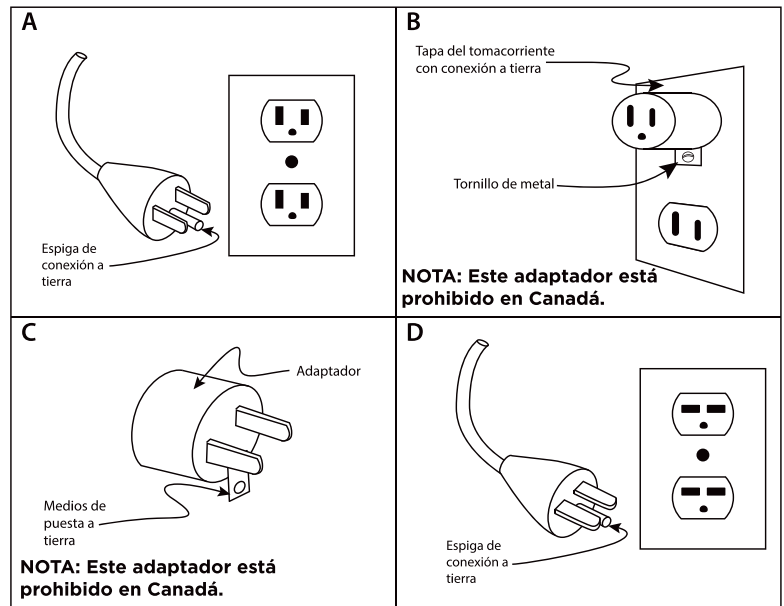
Compruebe que, al tenderlo, el cable de alimentación no quede atascado ni apoyado sobre bordes filosos. Compruebe también que el cable de alimentación se conserve o esté fijado de manera de evitar tropiezos o enganches para reducir el riesgo de incendio, choque eléctrico o lesiones físicas.

El cableado del edificio y del tomacorriente debe cumplir con los códigos edilicios locales y otras normas aplicables para reducir el riesgo de incendio, choque eléctrico y lesiones físicas.

No intente conectar nuevos tomacorrientes ni circuitos por su cuenta. Para reducir el riesgo de incendio, choque eléctrico o lesiones físicas, siempre recurra a un electricista matriculado.

Consulte las instrucciones de puesta a tierra en la figura 1. Este calefactor debe usarse a 120 V. El cable posee un enchufe como el que se ilustra en la parte A de la Figura 1. Hay disponibles conectores como el de la pieza C de la ilustración para conectar enchufes de tres espigas con conexión a tierra a receptáculos de dos orificios. El terminal de tierra verde que sobresale del adaptador debe conectarse a masa permanente, por ejemplo, a un tomacorrientes con la conexión a tierra adecuada. No se debe usar adaptador si cuenta con un tomacorriente de tres ranuras con conexión a tierra.

Fig. 1



NOTA

- El hogar insertable viene totalmente armado y cableado. Es posible que necesite algunas herramientas para preparar la ubicación y colocar el reborde decorativo.
- Las dimensiones ensambladas del hogar insertable son 64,8" de ancho x 23,9" de alto x 14,7" de profundidad".
- Debe dejar 1/4 "alrededor del inserto de la chimenea para facilitar la instalación.
- Este hogar no precisa ventilación.

Seleccione una ubicación adecuada que no es susceptible a la humedad y es alejado de las cortinas, muebles y de alto tráfico. Para facilitar la conexión es deseable situar la chimenea cerca de una toma de corriente existente.

CARACTERÍSTICAS Y OPERACIÓN

Uso del control remoto

Encendido

Enciende y apaga la unidad. Al volver a encenderla, el sistema recupera el último ajuste de calefacción utilizado.

Ajustar resplandor

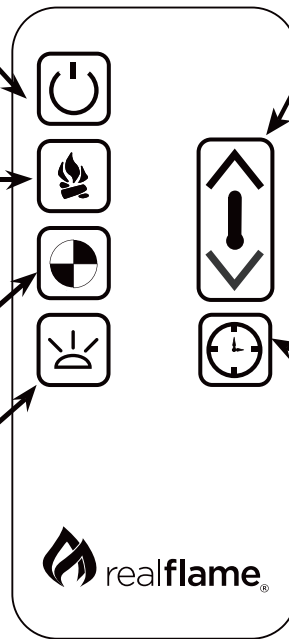
Permite aumentar o reducir el nivel de resplandor.

Ajustar la llama

Esto le permite ajustar el color de la llama.

Ajustar el brillo

Esta función se desplaza por los niveles de resplandor de la llama.



Ajustar temperatura

Permite programar el termostato. Si lo desea, es posible utilizar el hogar a leña sin activar el calefactor.

Apagado programado

Permite configurar el hogar para que se apague automáticamente una vez transcurrido el tiempo que se muestra en la pantalla. El temporizador se puede activar durante 30 minutos y durante un máximo de 6 horas.

Uso del panel de control

Ajustar temperatura

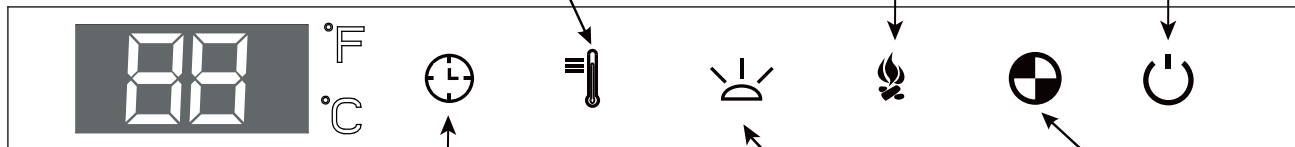
Permite programar el termostato. Si lo desea, es posible utilizar el hogar a leña sin activar el calefactor.

Ajustar resplandor

Permite aumentar o reducir el nivel de resplandor.

Encendido

Enciende y apaga la unidad. Al volver a encenderla, el sistema recupera el último ajuste de calefacción utilizado.



Ajustar temperatura

Permite programar el termostato. Si lo desea, es posible utilizar el hogar a leña sin activar el calefactor.

Ajustar la llama

Esto le permite ajustar el color de la llama.

Ajustar el brillo

Esta función se desplaza por los niveles de resplandor de la llama.

CARACTERÍSTICAS Y OPERACIÓN

⚠ NOTA Es posible que el ventilador continúe funcionando una vez apagado el calefactor para evitar el sobrecalentamiento.

⚠ NOTE Si la pantalla lee 88 o EE, verifique que todas las rejillas de ventilación de la cámara de combustión están libres de obstrucciones, desenchufe la caja de fuegos y vuelva a enchufarla para restablecer la cámara de combustión. Si el problema persiste, comuníquese con Real Flame al 1-800-654-1704.

CUIDADO Y MANTENIMIENTO

Cambio de baterías

- Para abrir la tapa de la batería, deslícela mientras presiona la palanca de liberación y extrae la batería. Consulte las instrucciones en la parte inferior del control remoto.
- Reemplace la batería descargada por una batería CR2025. El hogar no incluye baterías de repuesto.
- No deseche las baterías descargadas entre los residuos municipales. Las baterías deben depositarse en el punto local de recolección para el reciclado de baterías.
- Coloque la tapa de la batería.

Diodo emisor de luz

Este hogar posee lámparas LED (siglas en inglés de diodo emisor de luz) en lugar de bombillas tradicionales. Las lámparas LED generan los mismos niveles de luz que las convencionales, pero emplean una fracción de la energía. Las lámparas LED no necesitan mantenimiento y no debería ser necesario cambiarlas durante la vida útil del producto.

Limpieza

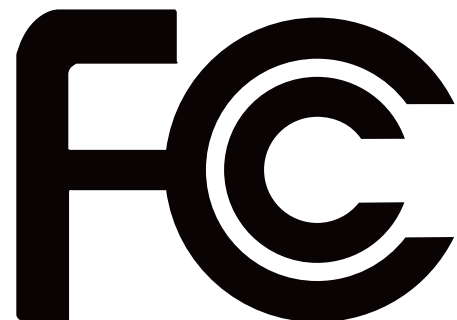
⚠ ADVERTENCIA Desconecte del suministro eléctrico antes de cualquier tarea de mantenimiento o limpieza para reducir el riesgo de incendio, choque eléctrico, lesión o muerte.

⚠ PRECAUCIÓN Al transportar o guardar la unidad y el cable, manténgalos en un lugar seco sin vibraciones excesivas y de manera de evitar daños.

- Quite el polvo de la unidad con un paño limpio y seco.
- Repase todas las superficies pintadas con un paño limpio y agua tibia. No use limpiadores abrasivos.
- Use un limpiavidrios común para limpiar el panel de vidrio de la unidad.



Uso aprobado en
los Estados Unidos y Canadá



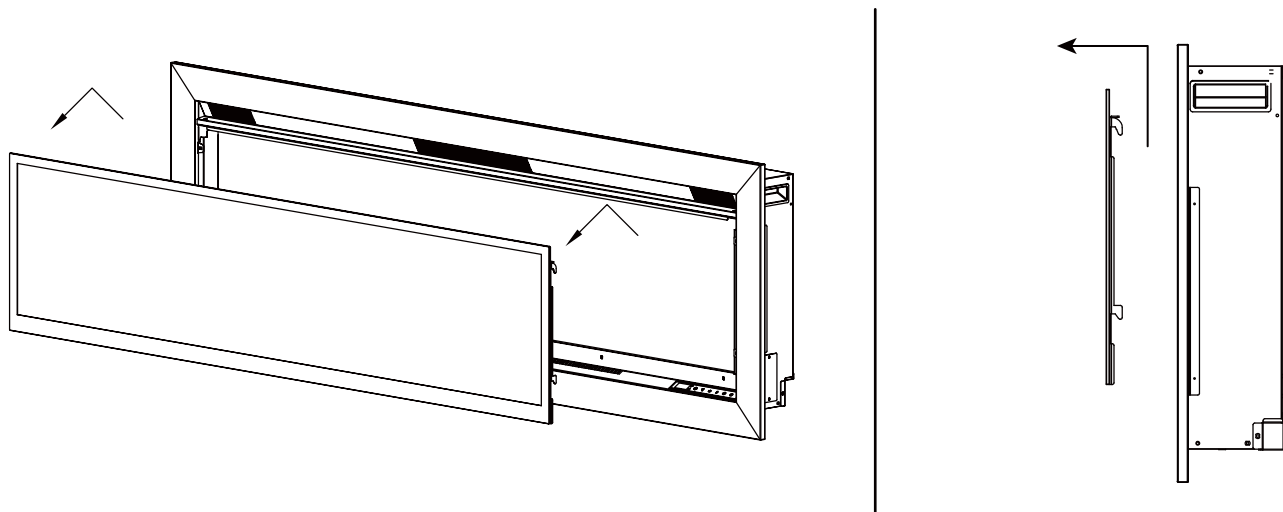
Instalación de la chimenea: Método A

ADVERTENCIA Lea y comprenda todos los manuales de instrucciones que se incluyen con esta unidad.

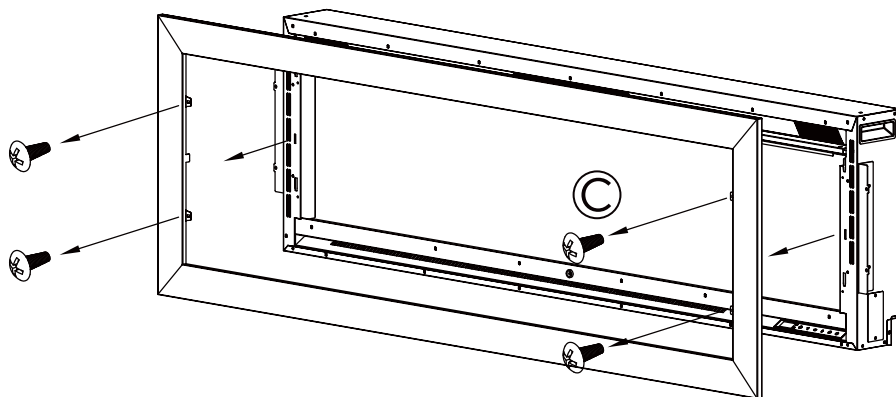
Nota: Los métodos de instalación A, B y C deben completarse con el paso de instalación del marco frontal y el vidrio.

Método A: Siga estos pasos para instalar la chimenea.

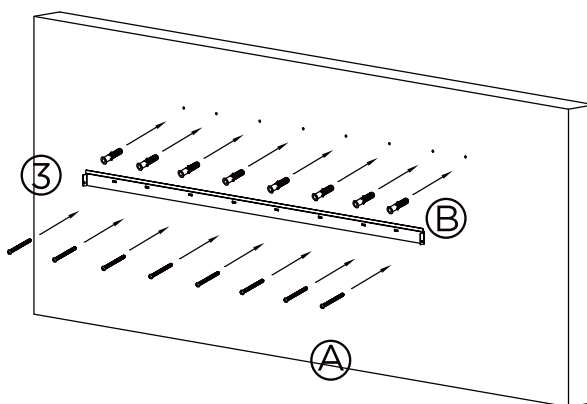
1.) Levante con cuidado hacia arriba y hacia afuera para quitar el panel de vidrio.



2.) Retire los tornillos (C) y luego retire el marco.

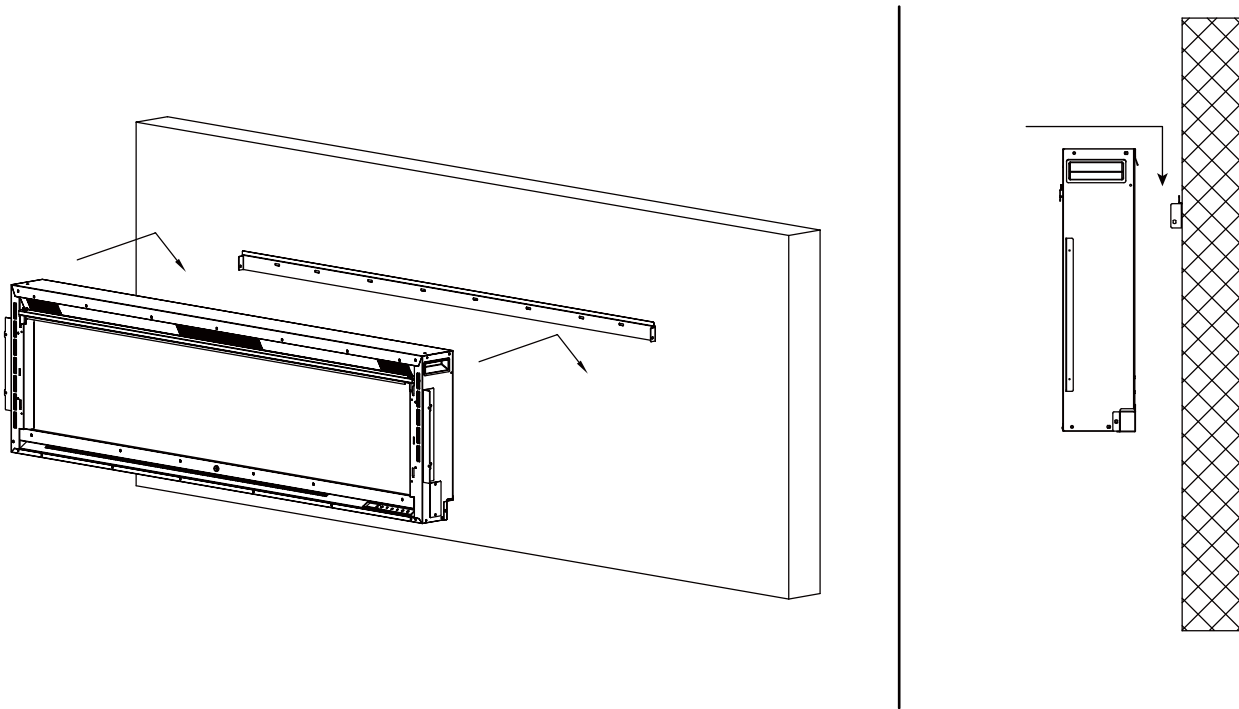


3.) Fije el soporte de pared (3) a la pared usando los tornillos (A) y anclajes para paneles de yeso (B).

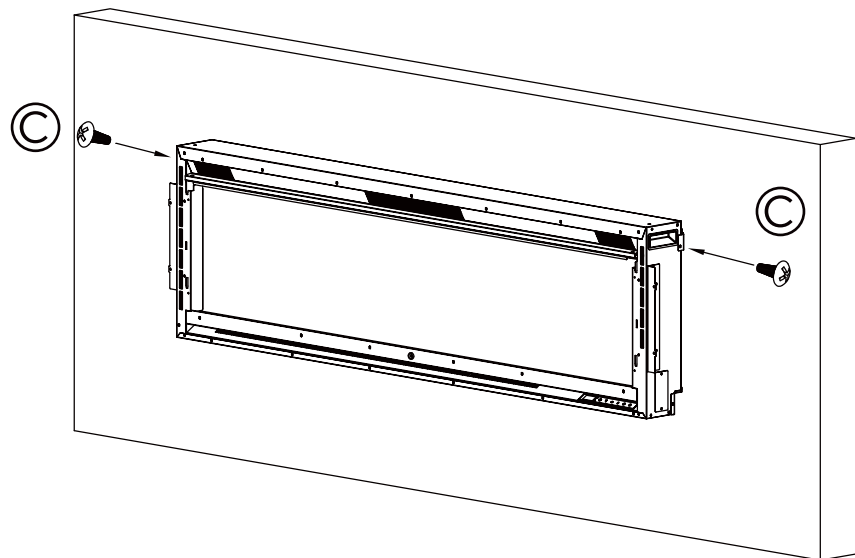


Instalación de la chimenea: Método A

- 4.) Con dos personas, levante la chimenea hasta el soporte de montaje y coloque el borde del soporte de montaje en las aberturas en la parte posterior de la chimenea.



- 5.) Fije la chimenea con los tornillos (C).



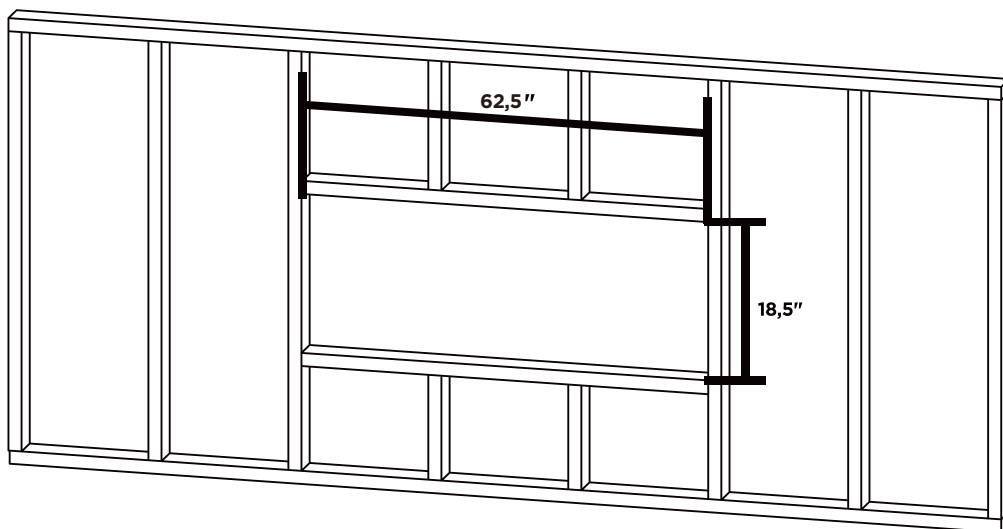
- 6.) Consulte la página 18 para ver cómo instalar el vidrio frontal y el relleno.

Instalación de la chimenea: Método B

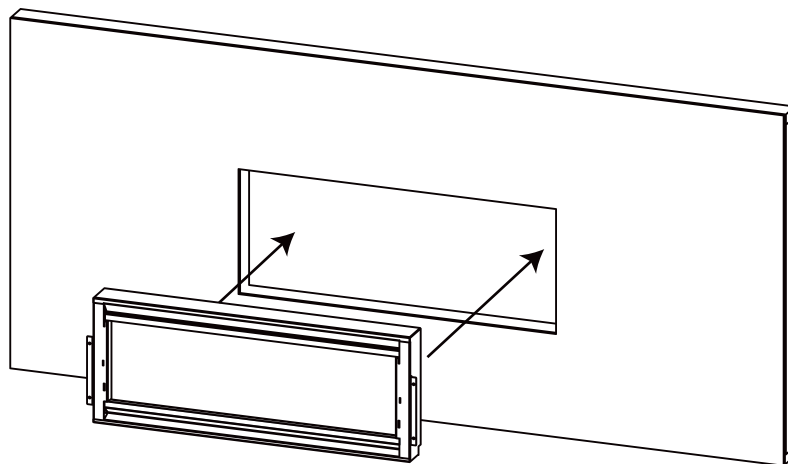
Nota: Los métodos de instalación A, B y C deben completarse con el paso de instalación del marco frontal y el vidrio.

Método B: Siga estos pasos para instalar la chimenea.

1.) Enmarque la abertura de la chimenea. **62,5" de ancho x 18,5" de alto.**

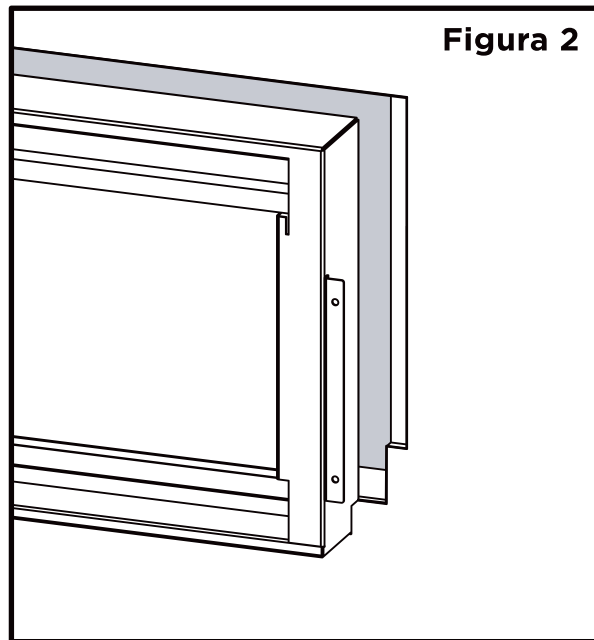
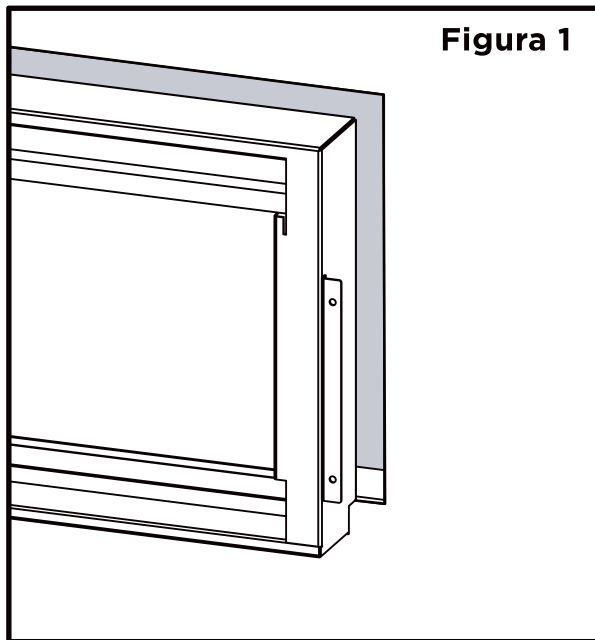


2.) Con el vidrio y el marco retirados, inserte la chimenea en la abertura de la pared para probar el ajuste de la unidad.

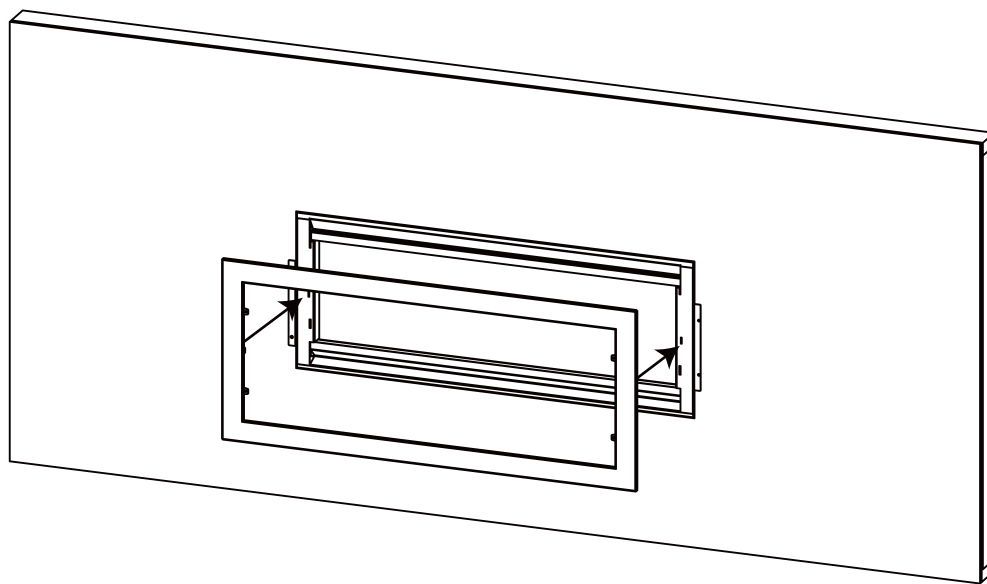


Instalación de la chimenea: Método B

NOTA: Debido a que los soportes de montaje son ajustables, la chimenea se puede montar directamente en el panel de yeso (Figura 1) o directamente en los montantes cortando una tira de panel de yeso (Figura 2).

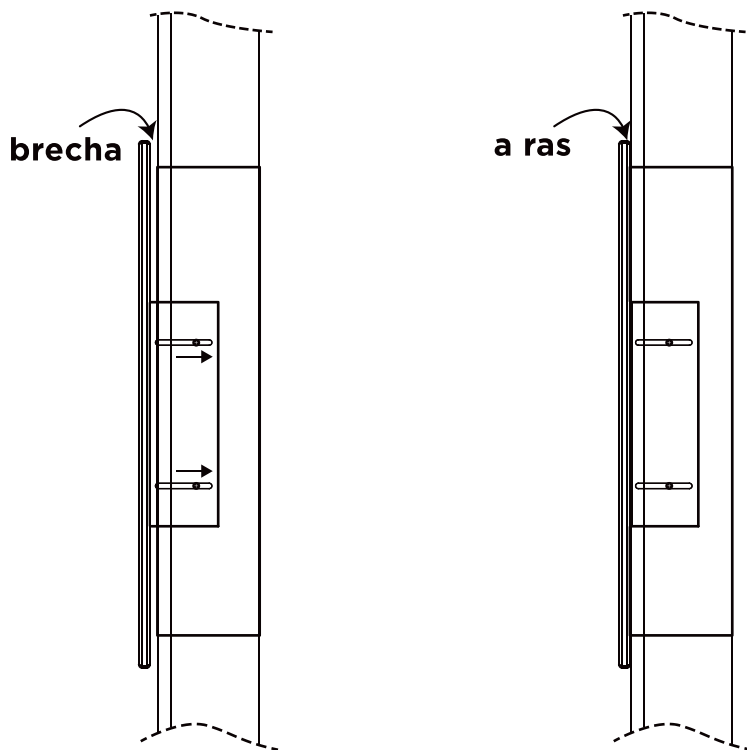


3.) Coloque el marco en la chimenea y verifique que el marco esté al ras con la pared.

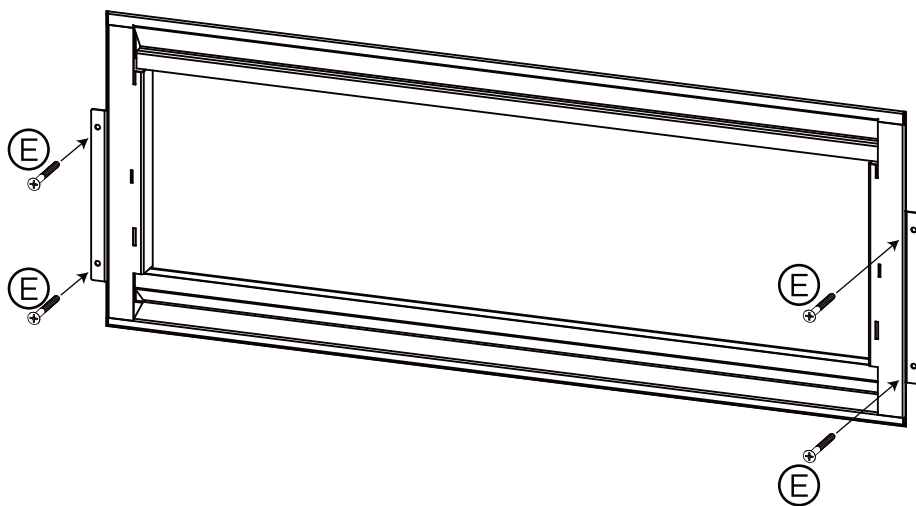


Instalación de la chimenea: Método B

- 4.) Si hay un espacio entre el marco y la pared, afloje los tornillos del soporte y ajuste los soportes a la profundidad deseada según su pared.



- 5.) Una vez que se haya confirmado la profundidad, apriete los tornillos laterales para fijar las placas de montaje en su lugar. Reemplace la chimenea en la abertura y asegúrela en su lugar con los tornillos incluidos.



- 6.) Consulte la página 18 para ver cómo instalar el vidrio frontal y el relleno.

Instalación de la chimenea: Método B

Siga los pasos siguientes para conectar el cableado

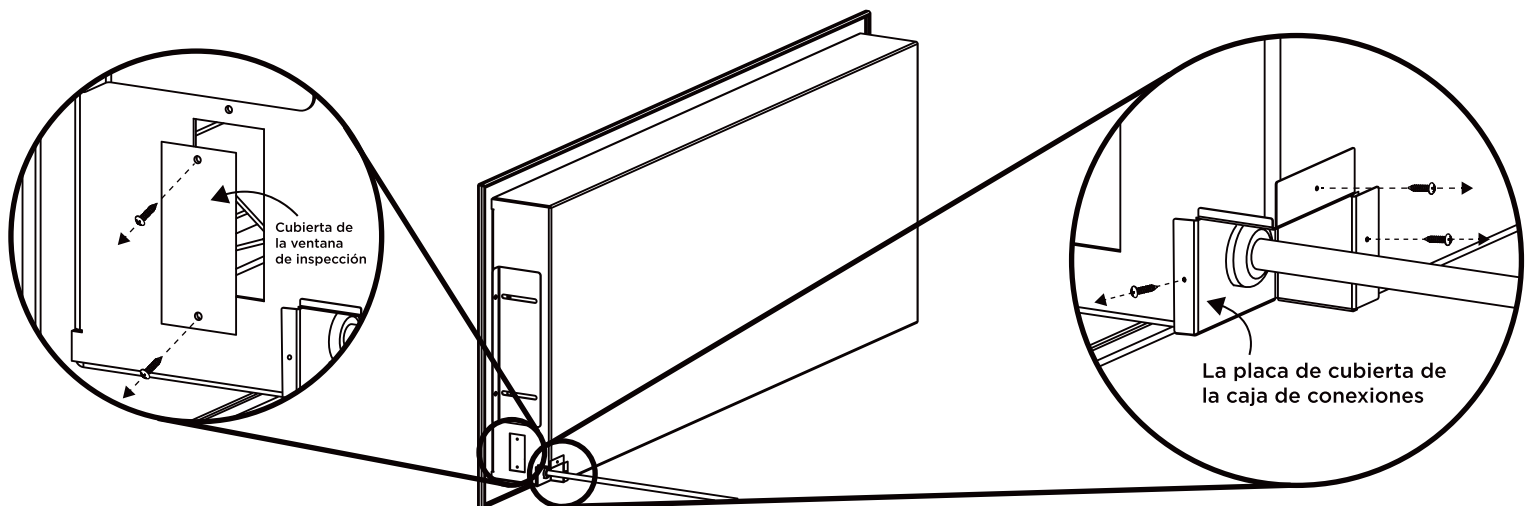
Nota: Debido a las grandes variaciones en los códigos de construcción locales, se debe consultar a un contratista profesional antes de comenzar con este método de instalación para asegurarse de que la instalación cumpla con los requisitos locales.

Si es necesario cablear esta chimenea, un electricista calificado debe quitar la conexión del cable y cablear la chimenea directamente al cableado doméstico. El circuito dedicado y el disyuntor de la fuente de alimentación deben tener una capacidad nominal de 120 V, un mínimo de 15 amperios. La chimenea debe estar conectada eléctricamente y conectada a tierra de acuerdo con los códigos locales.

En ausencia de códigos locales, use el Código Eléctrico Canadiense CSA C22.1 actual en Canadá o el Código Eléctrico Nacional ANSI / NFPA 70 actual en los Estados Unidos.

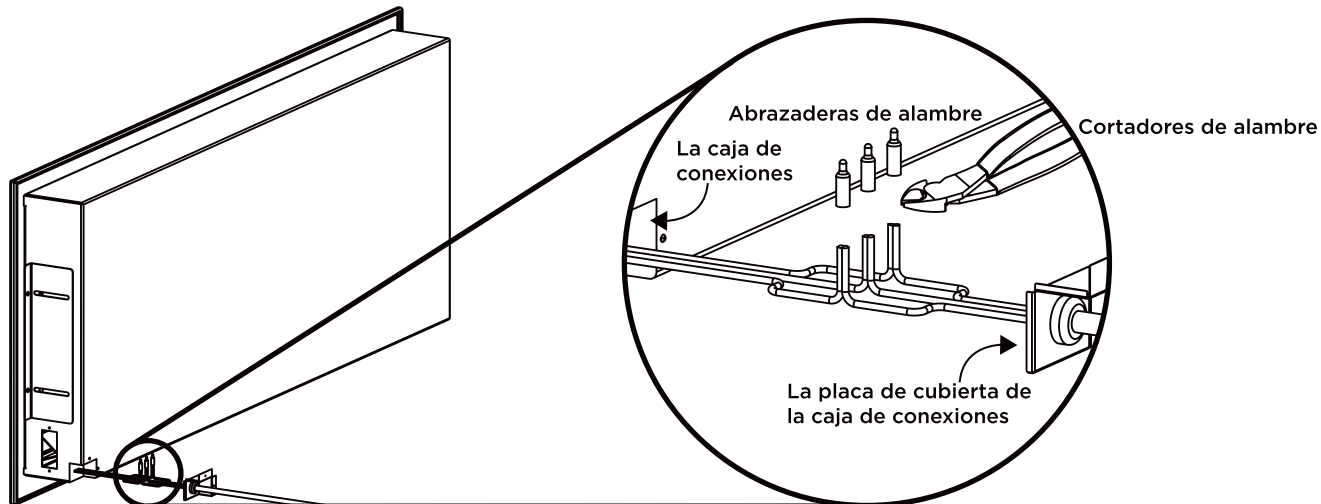
Hay 3 cables desde la unión de la chimenea: blanco (neutro), negro (alimentación) y amarillo / verde (tierra) que se conectan a la fuente de alimentación de 120 V (panel de interruptores). Vea abajo.

- 1.) Quite los 5 tornillos de la placa de cubierta de la caja de conexiones y la ventana de inspección, ubicadas en la parte posterior e izquierda de la chimenea. Busque el paquete de cables.

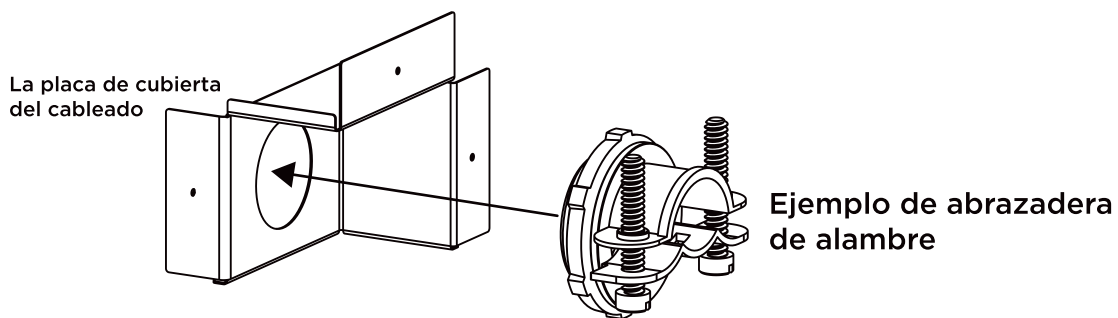


Instalación de la chimenea: Método B

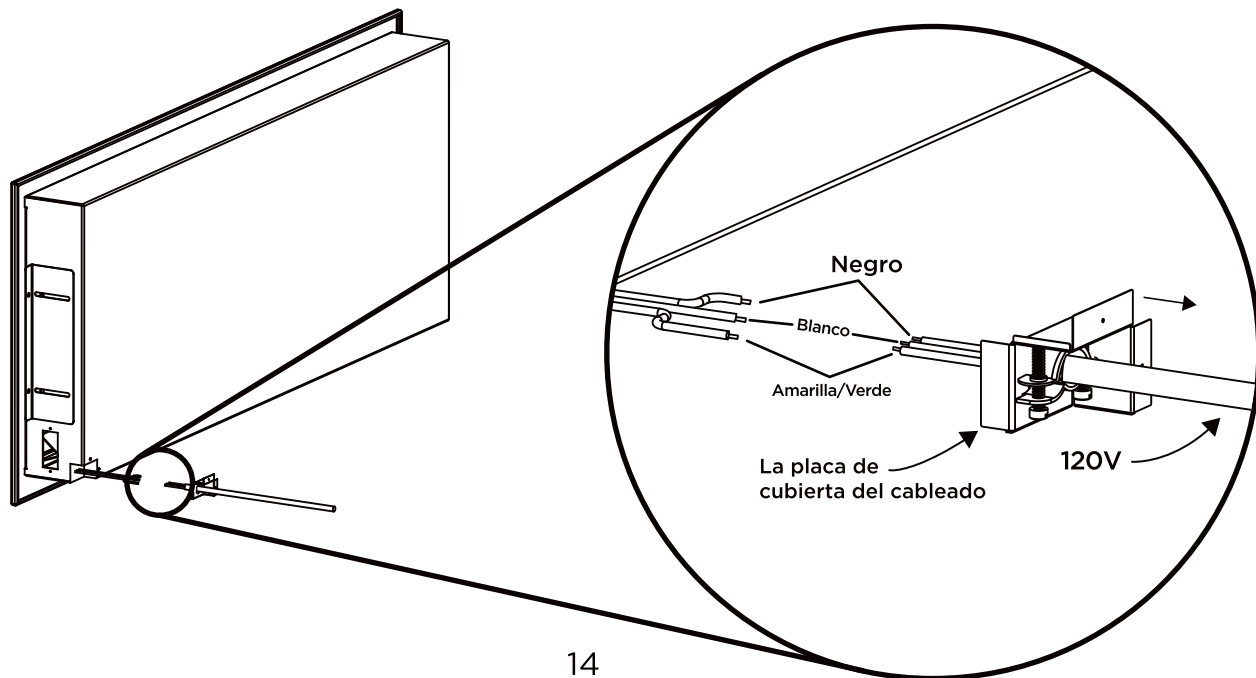
- 2.)** Separe los cables negro, blanco y verde / amarillo del paquete de cables, quitando las ataduras de cables si es necesario. Desconecte los cables cortando con cuidado las abrazaderas que aseguran los cables terminales al cable de alimentación.



- 3-1.)** Asegure la abrazadera (no incluida) a la placa de cubierta del cableado. El tipo de abrazadera necesaria puede variar según los códigos locales.

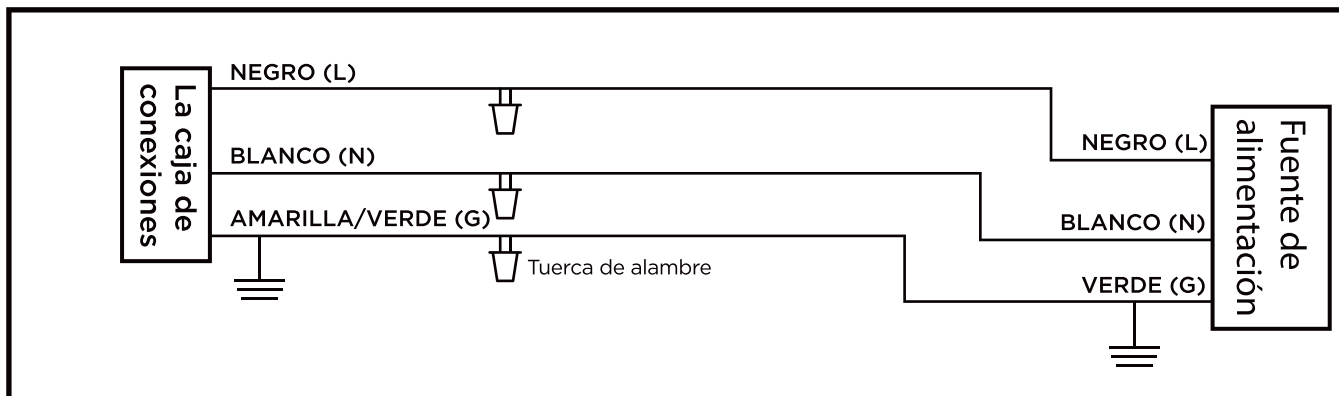


- 3-2.)** Pase el cable de suministro a través de la placa de cubierta del cableado y la abrazadera y asegúrelo en su lugar con la abrazadera. Conecte el cable verde / amarillo (G) al cable de tierra de suministro, el cable blanco (N) al neutro de suministro y el cable negro (L) al cable negro de suministro (L). Asegure con tuercas para alambre.

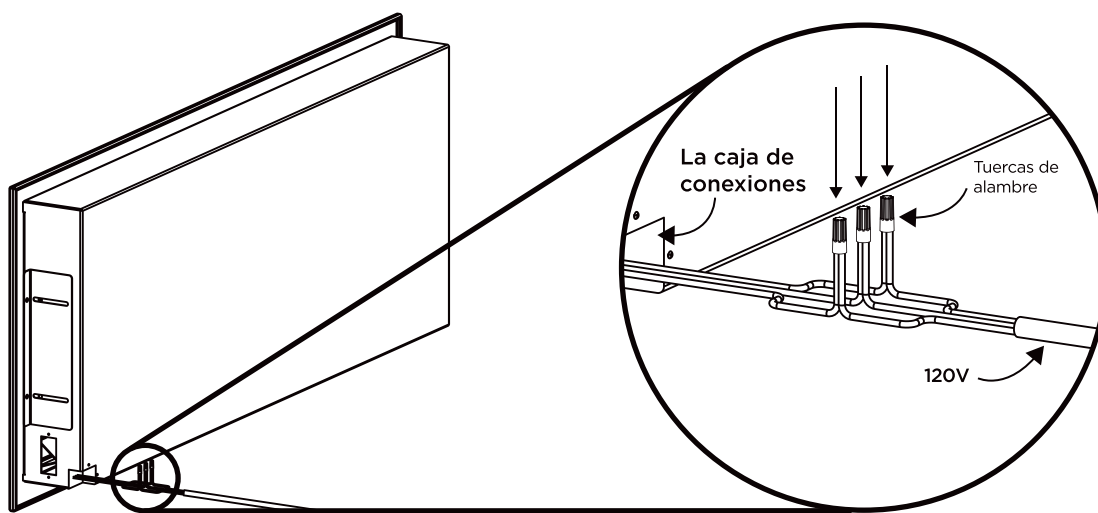


Instalación de la chimenea: Método B

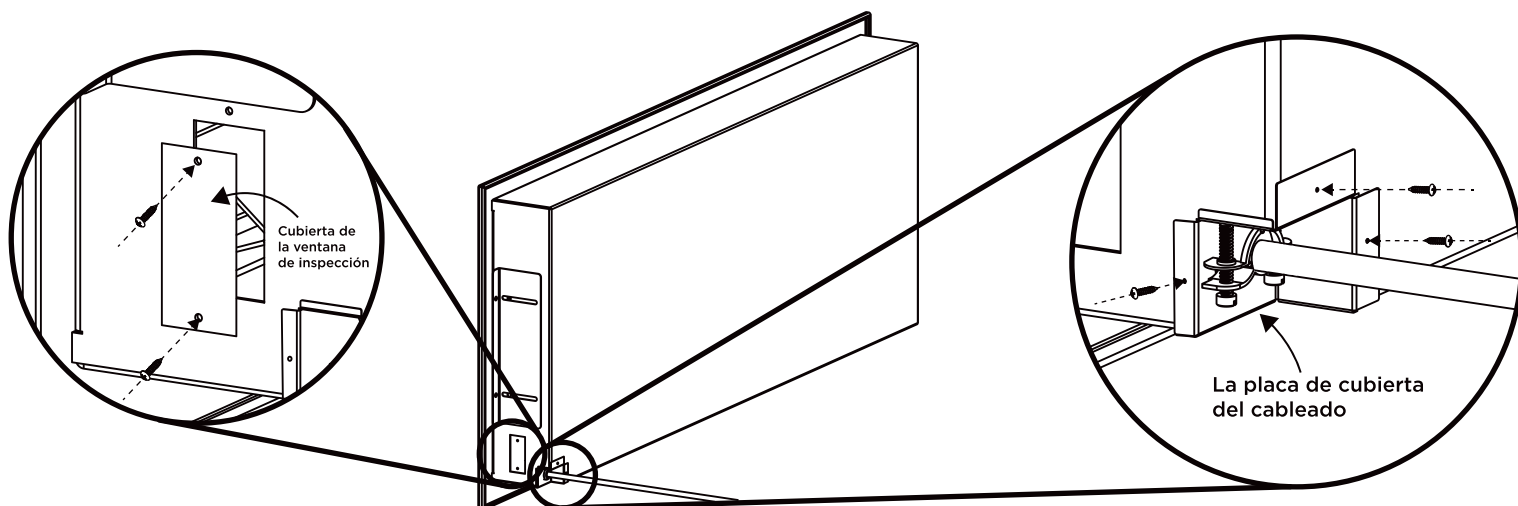
Diagrama



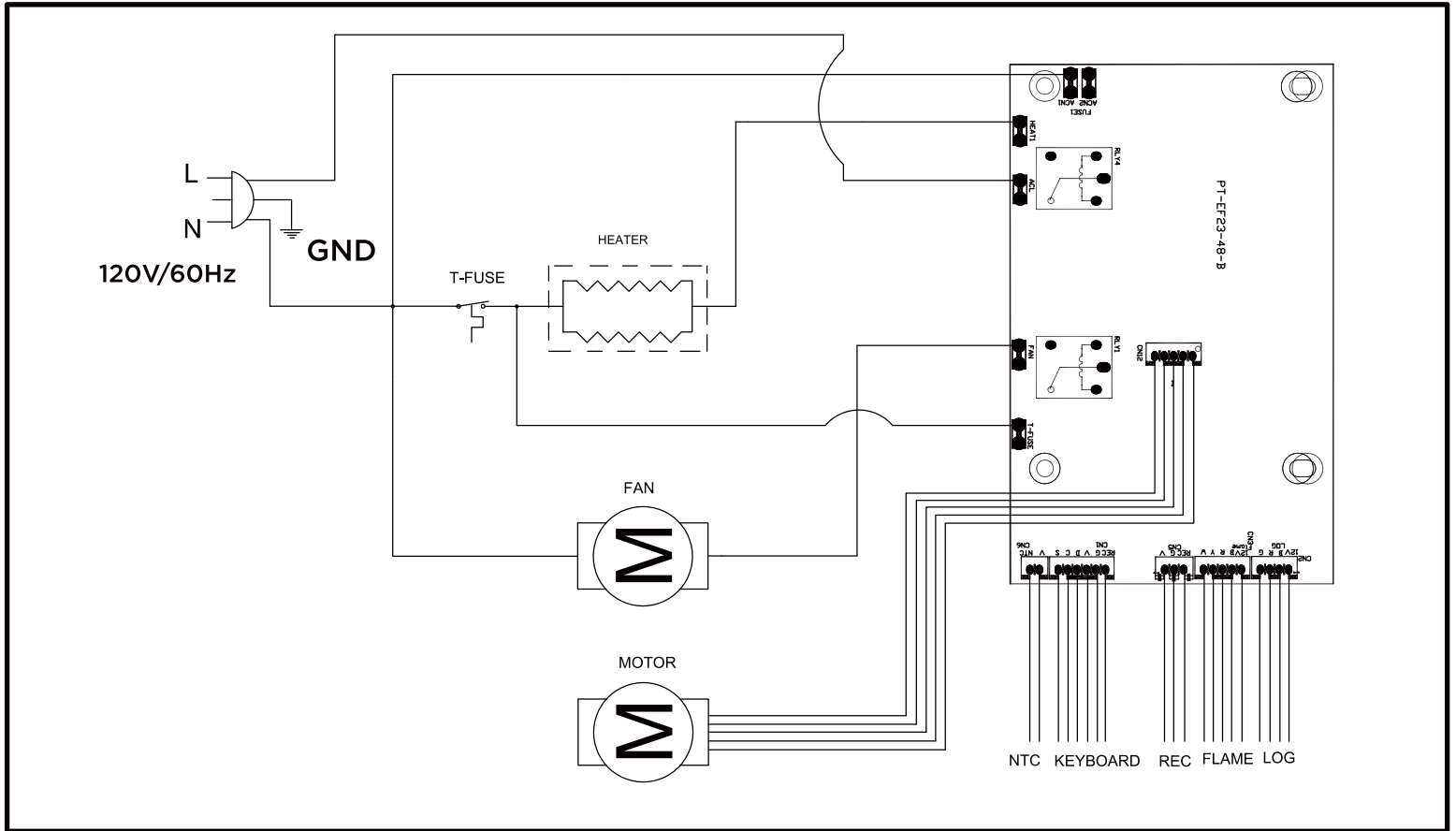
3-3.) Asegure los cables con tuercas para cables.



4.) Empuje con cuidado el haz de cables hacia el interior de la chimenea. Verifique la conexión a través de la ventana de inspección para asegurarse de que las tuercas para cables estén en su lugar. Utilice los 3 tornillos que quitó anteriormente en el paso 1. Asegure la placa de la cubierta de la ventana de inspección.



Instalación de la chimenea: Método B

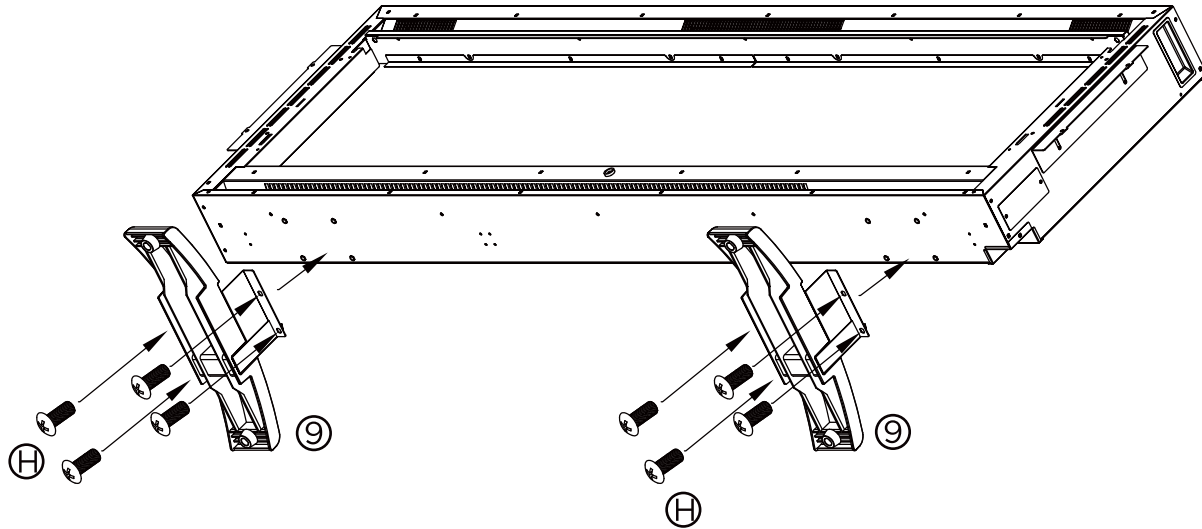


Instalación de la chimenea: Método C

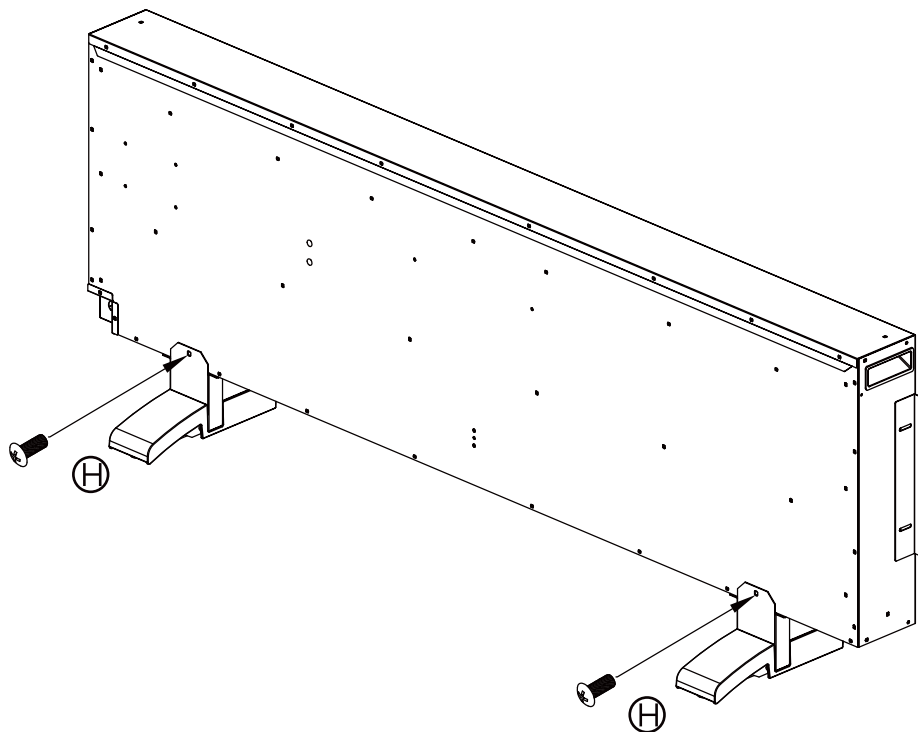
Nota: Los métodos de instalación A, B y C deben completarse con el paso de instalación del marco frontal y el vidrio.

Método C: Siga los siguientes pasos para instalar el soporte de la chimenea.

1.) Fije cada apoyo (9) a la chimenea con los tornillos (H) incluidos.



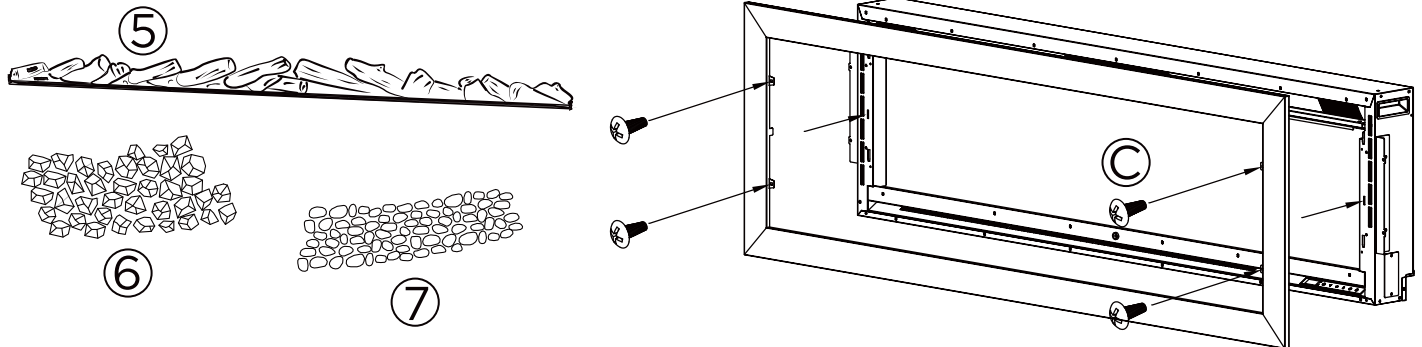
2.) Colóquelo en posición vertical y apriete completamente los tornillos (H) detrás de la chimenea.



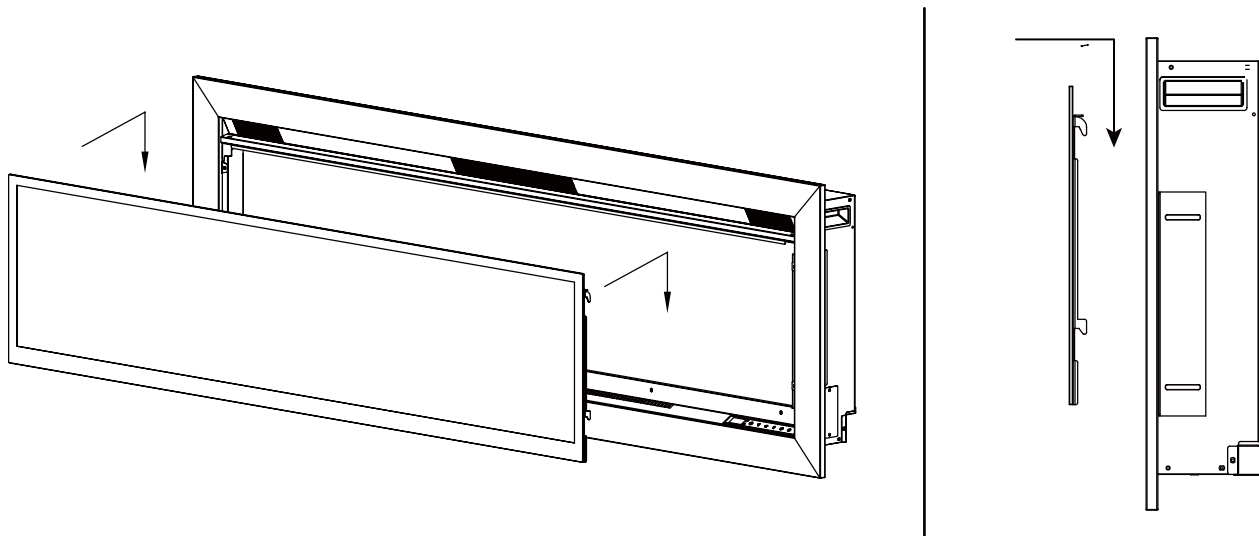
Instalación de la chimenea

Siga estos pasos para instalar la chimenea.

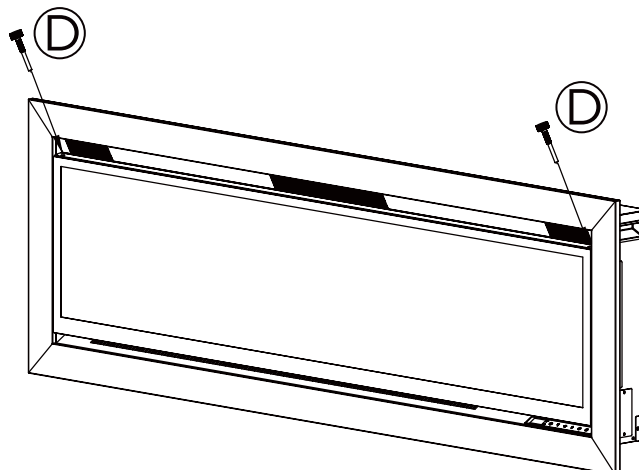
- 1.)** Seleccione el conjunto de leñas (5), cristal (6) o piedras (7) para el lecho de la chimenea. Instale el marco frontal usando los cuatro tornillos (C).



- 2.)** Instale el vidrio alineando los sujetadores con la abertura en la parte frontal de la chimenea. El relleno se puede cambiar en cualquier momento quitando el vidrio y repitiendo estos pasos.



- 3.)** Asegure el vidrio usando los dos tornillos restantes (D) en las esquinas superior izquierda y derecha del marco.



GARANTÍA

Garantía Limitada

Real Flame® garantiza que los siguientes componentes de esta chimenea Real Flame® ("el Producto") estará libre de defectos de fabricación y materiales después el ensamble correcto y bajo el uso normal y el mantenimiento adecuado de los periodos indicados más abajo, comenzando con la fecha de compra del Producto:

- El cuerpo - 1 año de garantía limitada.
- Los componentes internos - 1 año de garantía limitada.

Esta garantía se extiende al comprador original únicamente, siempre que la compra haya sido realizada a través de un distribuidor autorizado Real Flame. La garantía está también sujeta a las siguientes condiciones y limitaciones:

Esta garantía no se extiende a los daños ocasionados por transporte, ensamblaje inadecuado, instalación o almacenaje, instalación que no cumpla con los códigos y las ordenanzas de construcción, instalación u operación que no esté de acuerdo con el manual incluido, abuso, falta de mantenimiento, ambientes hostiles, accidentes, clima natural o reparaciones de baja calidad. La modificación del Producto, el uso de combustibles distintos a los aprobados por Real Flame, o el uso de piezas instaladas de otros fabricantes, anularán esta garantía.

Esta garantía se aplica a la funcionalidad del Producto únicamente y no cubre elementos cosméticos tales como raspones, hendiduras, corrosión, oxidación, corrosión, áreas decoloradas o agrietadas debido a la exposición prolongada al calor extremo decoloración causada por el calor, limpiadores abrasivos y limpiadores químicos. Sin embargo, si el deterioro de las piezas ocurre a un grado que impida el funcionamiento dentro del periodo de la garantía, Real Flame proporcionará una pieza de reemplazo.

Real Flame exige una prueba razonable de su fecha de compra. Por lo tanto, usted debe conservar su recibo de venta y/o la factura. Las partes defectuosas sujetas a esta garantía no serán reemplazadas sin la prueba de compra.

Real Flame debe tener la oportunidad de verificar el defecto que alega. Para que cualesquiera de los componentes internos estén amparados bajo esta garantía, Real Flame exige que el usuario haga una localización de la avería con un miembro de servicio al cliente de Real Flame para garantizar el funcionamiento adecuado y el diagnóstico del problema.

En el caso de defectos amparados de los elementos garantizados, Real Flame, a su discreción, reemplazará el componente defectuoso, reemplazará el Producto o reembolsará el precio de compra. Real Flame no es responsable por la instalación, mano de obra u otros costos relacionados con la reinstalación. Lo anterior es el recurso exclusivo según los términos de esta garantía limitada. Real Flame no será responsable de los daños accidentales o resultantes causados por defectos en el Producto. Algunos estados no permiten la inclusión o limitación de daños accidentales o resultantes, así que es posible que la limitación o la exclusión puede que no apliquen para usted.

Esta garantía limitada es la única garantía expresa otorgada por Real Flame. La duración de cualquier garantía implícita que surja según las leyes de cualquier estado, incluyendo la garantía de mercantilidad o adecuación para un fin o uso en particular, está limitada a la duración de la garantía especificada anteriormente. Algunos estados no permiten limitaciones en cuanto a la duración de la garantía implícita, de modo que esta limitación puede no ser aplicable en su caso.

Esta garantía le otorga derechos legales específicos y usted puede tener también otros derechos que varían de un estado a otro.

Para el servicio de garantía:

1. Llame al Servicio al cliente de Real Flame al 1-800-654-1704 para apoyo técnico y para solución de problemas.
2. Si tiene problemas con el acabado, por favor rellene el formulario "Reclamo de la Garantía en Exterior" en www.realflame.com.

POLÍTICA DE DEVOLUCIÓN

Política de devolución

Usted puede devolver su compra en el plazo de 90 días de haberla recibido. No se emitirán reembolsos por devoluciones incompletas o no autorizadas. Todos los productos devueltos deben estar 100% completos, adecuadamente empacados en su empaque original y en condiciones de reventa. Los productos que han sido ensamblados o modificados no reúnen los requisitos para la devolución. Todos los artículos deben ser devueltos en su totalidad, lo cual significa que todos los artículos incluidos deben ser devueltos juntos. No se aceptan devoluciones o cambios de artículos discontinuados. Comience el proceso de devolución comunicándose con la tienda o la compañía donde adquirió su artículo Real Flame®.

Piezas de repuesto

En caso de que un artículo se haya perdido o dañado por parte del fabricante o en el envío, usted puede solicitar un reemplazo. Las piezas de reemplazo no están disponibles para todas las unidades y solo se suministran a la discreción de Real Flame. Nosotros evaluaremos cualquier daño y encontraremos una solución, lo cual puede incluir enviarle un reemplazo. No hay reemplazos disponibles para artículos discontinuados o productos reempacados (caja que ha sido abierta). Llame a Servicio al cliente de Real Flame al 1-800-654-1704 para las piezas de repuesto antes de devolver el artículo dañado. Tenga lista la siguiente información consigo (la cual puede encontrar en su manual de instrucciones) antes de llamar al Servicio al cliente:

- Número de modelo del artículo
- Número de pieza de 4-8 dígitos
- Número de código del lote
- Dirección de envío
- Se puede solicitar una foto del artículo dañado. Las fotos se pueden enviar a csrep@realflame.com

Orden incorrecta recibida

Si usted recibió algo distinto de lo que ordenó, comuníquese con el Servicio al cliente de Real Flame al 1-800-654-1704 en el plazo de 48 horas de haber recibido el artículo.

Consulte www.realflame.com para las pautas y políticas completas de devolución.

Registre su chimenea para las notificaciones de retiro del mercado, prueba de titularidad y aseguramiento de la calidad en <https://www.realflame.com/registration>.

Real Flame®
7800 Northwestern Ave.
Racine, WI 53406
USA

Servicio al cliente: 1-800-654-1704 en EE. UU.
Service à la clientèle: 1-800-363-6443 in Canada
csrep@realflame.com