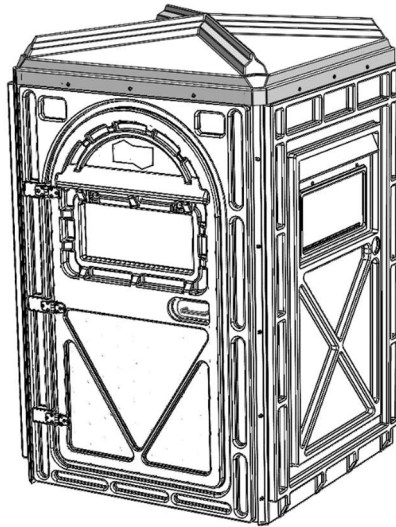




EDGE BLIND ASSEMBLY INSTRUCTIONS

Part Number: 04619V



www.terrainoutdoor.com

(989) 575-3122



ATTENTION! DO NOT RETURN TO RETAILER. IF THERE ARE ANY MISSING OR BROKEN COMPONENTS PLEASE CONTACT THE MANUFACTURER AT (989) 575-3122. REFERENCE BLIND MODEL: **EDGE 04619V** AND THE SPECIFIC COMPONENTS NAME FROM THE PARTS LIST.

EDGE BLIND USAGE INSTRUCTIONS AND WARNINGS

Thank you for your purchase of this Terrain Outdoor® Hunting Blind product. To ensure your personal safety, please take a moment to carefully read this Instruction Manual in its entirety before attempting to set-up, install, remove and/or otherwise use this Terrain Outdoor® Hunting Blind product(s). Failure to follow these instructions may result in serious injury or death!

If you have any questions about the installation, removal, and/or use of this product, or any other Terrain Outdoor® product(s) do not hesitate to call one of our customer service representatives at (989) 575-3122 or feel free to visit us online at www.terrainoutdoor.com. Our customer service representatives will answer any questions you may have about any of the complete line of Terrain Outdoor® products.

If you find damaged or missing parts in a newly purchased product, please contact the manufacturer at (989) 575-3122 for replacements.

Please note that **WARNING!** Statements have been placed throughout this Instruction Manual. These statements point out important safety information and instructions, which, if not followed could endanger the personal safety and/or property of the operator(s). It is imperative that the operator(s) of this product, or any other Terrain Outdoor® product(s) read and follow all the instructions and warnings contained in this Instruction Manual prior to attempting to use this Terrain Outdoor® product(s), or any other Terrain Outdoor® product(s). Failure to comply with these instructions and/or warnings may result in serious personal injury or death!

WARNING! Failure to read and strictly comply with the instructions contained in this Instruction Manual may result in serious injury or death!

WARNING! Prior to each hunt, you must inform someone of your hunting location, including the specific location of your blind and the expected duration of your hunt. Failure to follow these instructions may result in serious injury or death!

WARNING! The safe use and operation of this product(s) is the sole responsibility of the user. It is also the sole responsibility of the owner to provide any person(s) who borrow or purchase this product(s) with these instructions. Failure to follow these instructions may result in serious injury or death!

WARNING! Prior to each hunt, make sure that you have a signaling device (e.g., mobile phone, radio, whistle, signal flare or Personal Locator Device (PLD) in your possession and in an operable condition. This device must be within easy access shall you

experience the need to contact emergency assistance. Failure to follow these instructions may result in serious injury or death!

WARNING! This product(s) is designed for adult use only. No one under the age of 16 shall attempt to use this or any other product(s) without direct adult supervision. Failure to follow these instructions may result in serious injury or death!

WARNING! DO NOT modify, fix/repair, alter, bend, cut, weld, drill, or heat the blind in any way without explicit authorized and written instructions from the manufacturer. Additionally, do not attach anything to your blind without explicit authorized and written instructions from the manufacturer. Failure to follow these instructions may result in voided warranty, serious injury, or death!

WARNING! Never use any kind of fuel-burning products (heaters, lanterns, etc.) inside this enclosure. Use of fuel burning products can result in dangerous concentrations of carbon monoxide, a colorless and odorless gas. Breathing carbon monoxide will cause serious injury or death.

WARNING! Always use hearing protection when discharging firearms, especially within an enclosed space.

WARNING! This product is not fireproof. The plastic will burn if it comes into contact with an open flame or fuel source. Keep product away from direct flame. Failure to follow these instructions may result in serious injury or death!

WARNING! This product is for hunting purposes only! It is not to be used as a camping tent or for any other function. Failure to follow this warning may result in serious injury or death!

WARNING! Practice safe and proper firearms handling while using this product. Keep firearm or weapon **unloaded until seated** in the blind and no further movement is expected. **Unload the firearm or weapon prior to exiting** the blind. Failure to follow this warning may result in serious injury or death!

WARNING! Practice safe and proper firearms handling while using this product. Keep firearm pointed in the direction of least consequence with the safety **ON** in **SAFE** position at all times. Failure to follow this warning may result in serious injury or death!

California Prop 65 Warning: This product may contain a chemical known to the state of California to cause cancer, birth defects, or other reproductive harm.

If you have any questions about the assembly, installation or use of this product, or any other product, please do not hesitate to call one of our customer service representatives at (989) 575-3122 and they will answer all questions you may have about any of the complete line of products. Please have the product model number (04619V) and component part number ready before calling to better assist you.

ATTENTION! DO NOT RETURN TO RETAILER. IF THERE ARE ANY MISSING OR BROKEN COMPONENTS PLEASE CONTACT THE MANUFACTURER AT (989) 575-3122. REFERENCE BLIND MODEL: **EDGE 04619V** AND THE SPECIFIC COMPONENTS NAME FROM THE PARTS LIST.

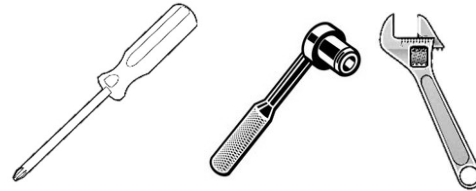
PARTS LIST

Part #	Description	Qty
2022	Bolt (¼-20 x 7/8")	33
2023	Bolt (10-32 X ¾")	9
6014	Nut (10-32 Lock Nut)	9
3014	Washer (¼ ID ¾ OD)	33
6013	Wing Nut (¼-20)	33
INS-TERRAIN-HANDLE	Door Handle	1
INS-TERRAIN-TURN-BUTTON	Window Latch	8
03864V-A	Common Sidewall	3
04627V-A	Door/Frame Assembly	1
03863V-A	Edge Roof	1
INS-COMMON TAB PLEXIGLASS	Windows	4
INS-COMMON LIVING HINGE	Window Hinge	4

TOOLS NEEDED

Phillips Screw Driver

¾" Socket Wrench **OR** Adjustable Crescent Wrench



SPECS

Size: 48"x48"x78" (LxWxH)

Weight: 91 lbs

Maximum Occupancy: One adult with gear

Color: Olive drab exterior, black interior

STORAGE AND CARE

All Terrain Outdoor® hunting blinds are made with an industrial grade UV Protected High Density Polyethylene material. All components and hardware is resistant to sun, moisture, and normal temperature fluctuation. This product has a 1 year limited warranty against defects in materials and workmanship.






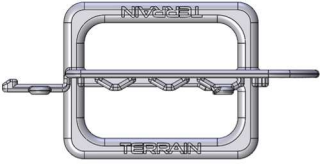

To extend the life of this product, keep out of prolonged exposure to sunlight in a shaded area. Keep in an area away from high winds. Make sure that all windows and the door are closed tightly when not in use.

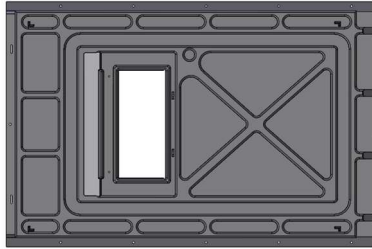
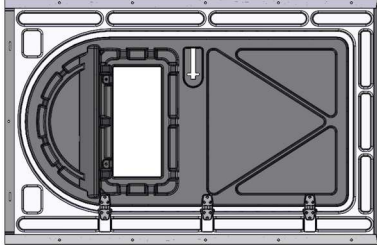
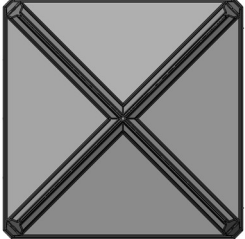


To remove surface blemishes and stains use a wet rag and mild detergent as needed. Rinse well. Bleach based cleaners may be used sparingly on the wall, roof, and door panels to remove stains - **AVOID WINDOWS**. Use only a non-abrasive cloth and a cleaner labeled for use with Acrylic or Plexiglass to clean the windows.

ATTENTION! DO NOT RETURN TO RETAILER. IF THERE ARE ANY MISSING OR BROKEN COMPONENTS PLEASE CONTACT THE MANUFACTURER AT (989) 575-3122. REFERENCE BLIND MODEL: **EDGE 04619V** AND THE SPECIFIC COMPONENTS NAME FROM THE PARTS LIST.

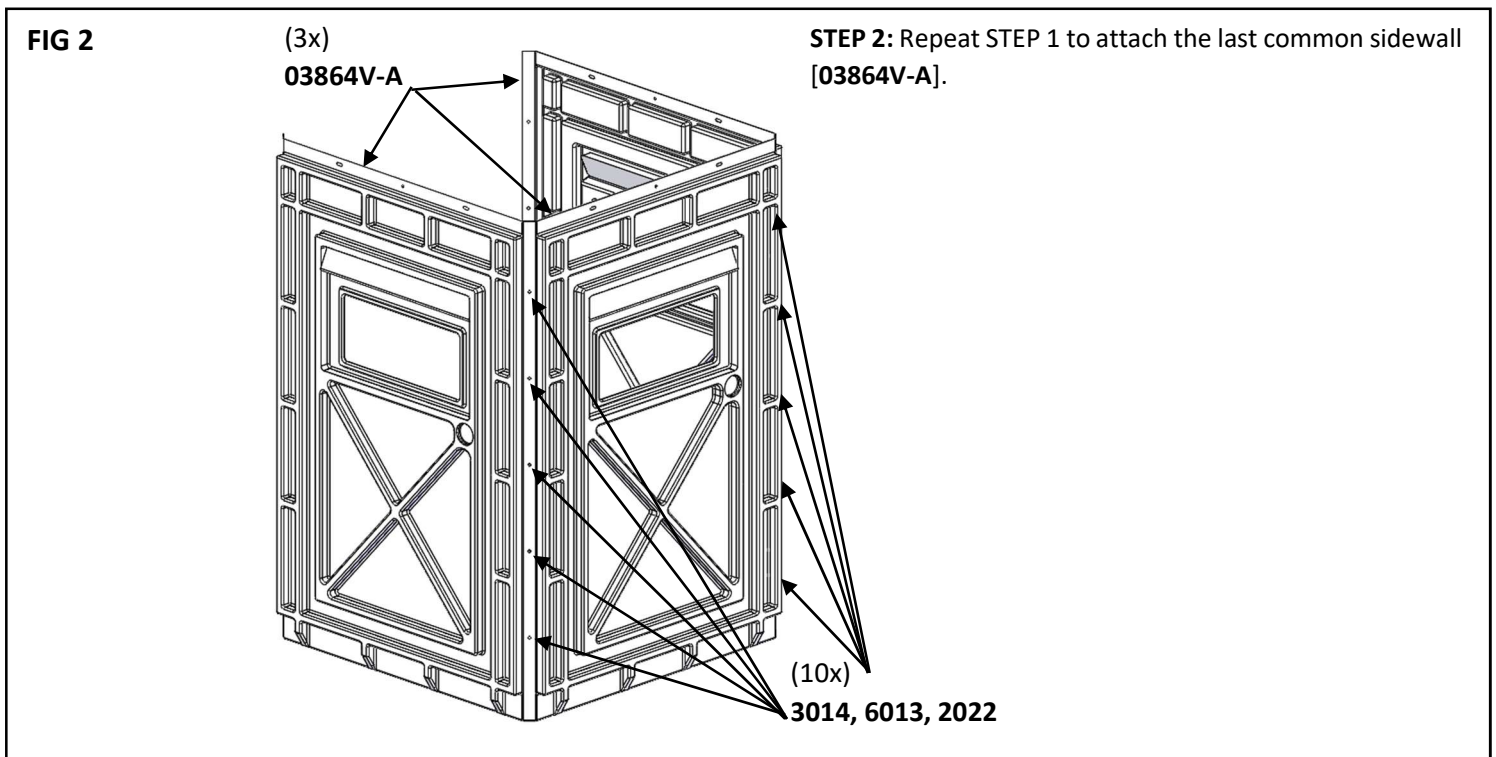
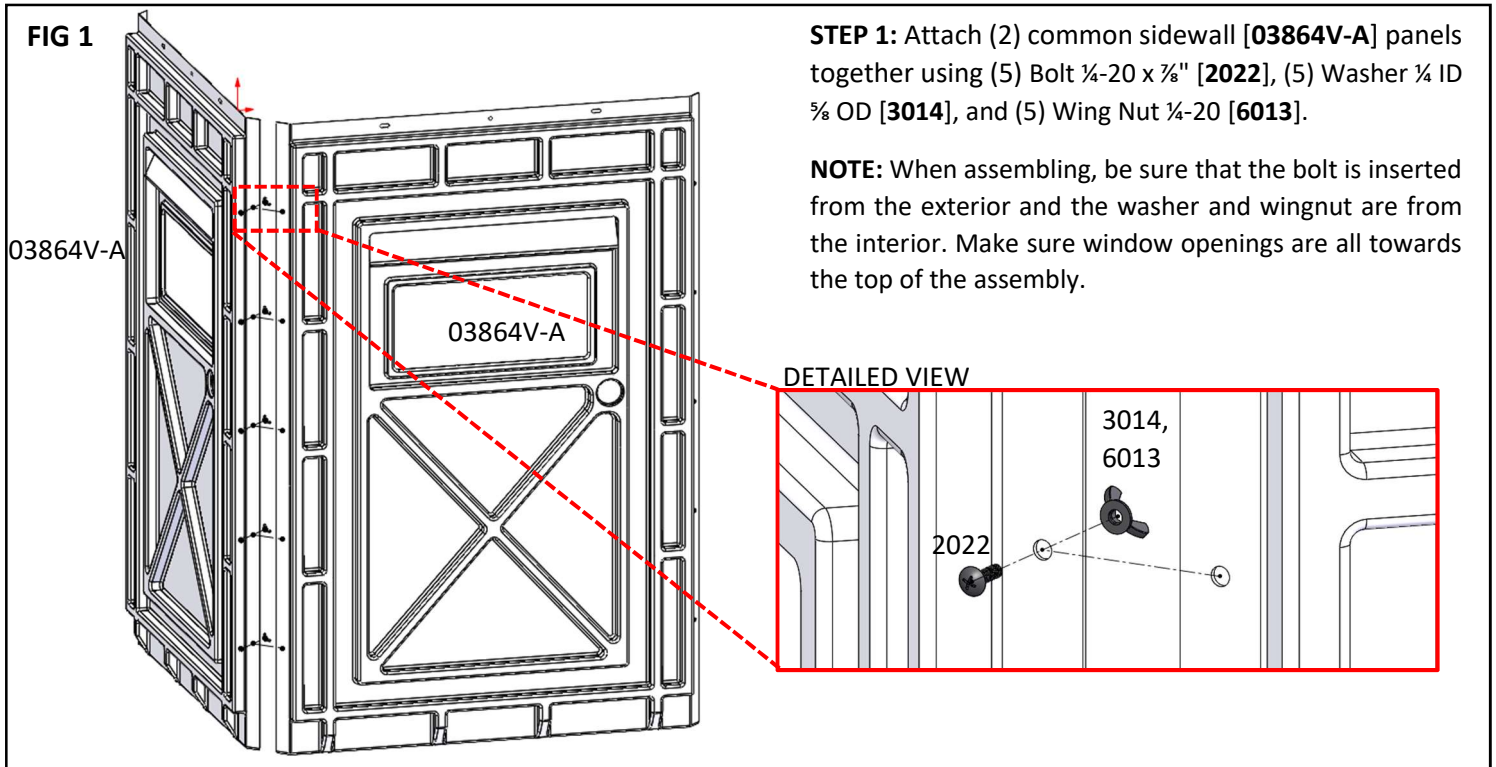
INCLUDED ITEMS AND HARDWARE LIST

Check to make sure you have all the required parts and hardware. If you find damaged or missing parts in a newly purchased product, please contact the manufacturer at (989) 575-3122 for replacements.

Part #	Description	Qty
2022	Bolt (¼-20 x 7/8")	33
		
2023	Bolt (10-32 X ¾")	9
		
6014	Nut (10-32 Lock Nut)	9
		
3014	Washer (¼ ID ¾ OD)	33
		
6013	Wing Nut (¼-20)	33
		
INS-TERRAIN-HANDLE	Door Handle	1
		
INS-TERRAIN-TURN-BUTTON	Window Latch	8
		

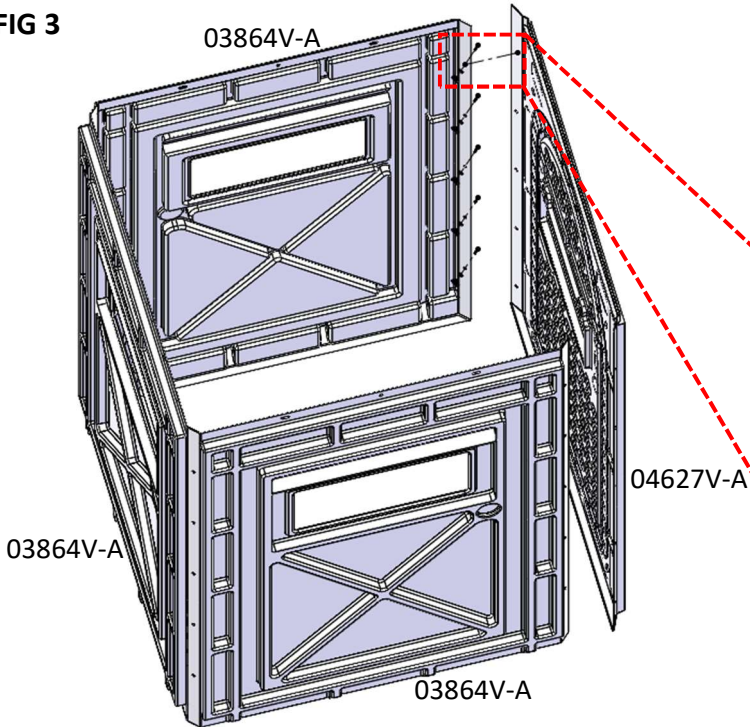
Part #	Description	Qty
03864V-A	Common Sidewall	3
		
04627V-A	Door/Frame Assembly	1
		
03863V-A	Edge Roof	1
		
INS-COMMON TAB PLEXIGLASS	Windows	4
		
INS-COMMON LIVING HINGE	Window Hinge	4
		

ATTENTION! DO NOT RETURN TO RETAILER. IF THERE ARE ANY MISSING OR BROKEN COMPONENTS PLEASE CONTACT THE MANUFACTURER AT (989) 575-3122. REFERENCE BLIND MODEL: **EDGE 04619V** AND THE SPECIFIC COMPONENTS NAME FROM THE PARTS LIST.



ATTENTION! DO NOT RETURN TO RETAILER. IF THERE ARE ANY MISSING OR BROKEN COMPONENTS PLEASE CONTACT THE MANUFACTURER AT (989) 575-3122. REFERENCE BLIND MODEL: **EDGE 04619V** AND THE SPECIFIC COMPONENTS NAME FROM THE PARTS LIST.

FIG 3



STEP 3: Attach (1) Door/Frame Assembly [004627V-A] panels to the assembly using (5) Bolt $\frac{1}{4}$ -20 x $\frac{7}{8}$ " [2022], (5) Washer $\frac{1}{4}$ ID $\frac{5}{8}$ OD [3014], and (5) Wing Nut $\frac{1}{4}$ -20 [6013].

DETAILED VIEW

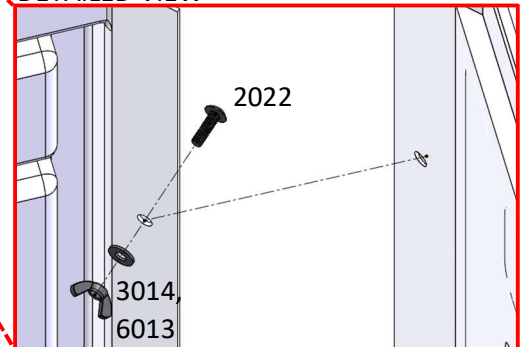
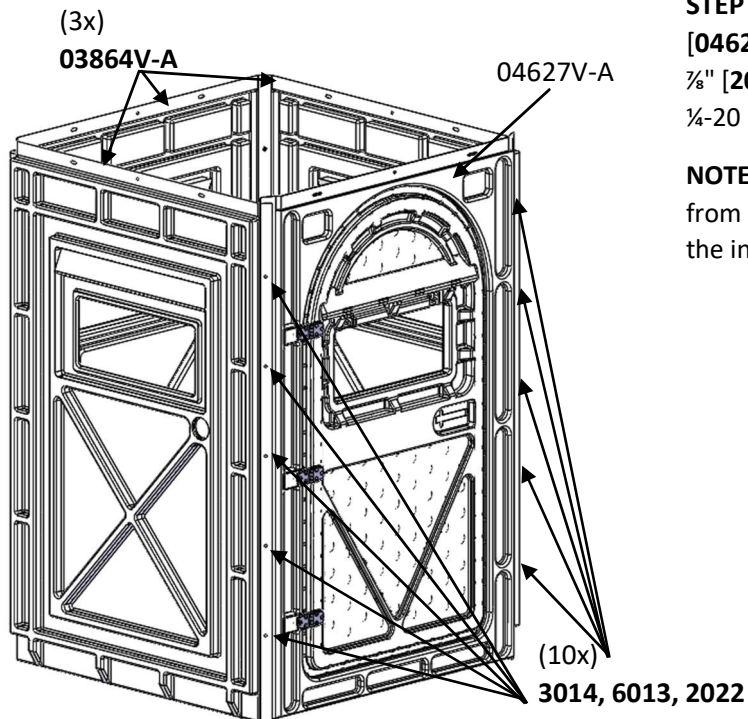


FIG 4



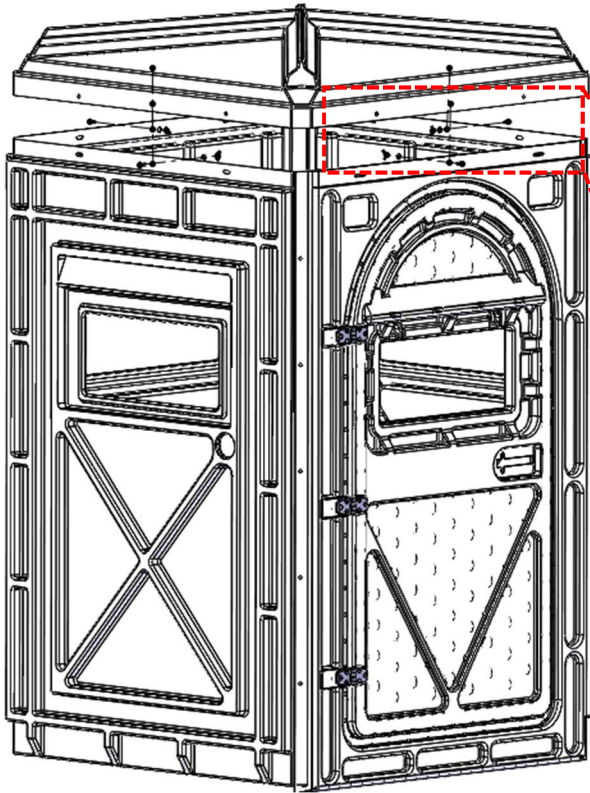
STEP 4: Finish fastening the Door/Frame Assembly [04627V-A] panels to the assembly using (5) Bolt $\frac{1}{4}$ -20 x $\frac{7}{8}$ " [2022], (5) Washer $\frac{1}{4}$ ID $\frac{5}{8}$ OD [3014], and (5) Wing Nut $\frac{1}{4}$ -20 [6013].

NOTE: When assembling, be sure that the bolt is inserted from the exterior and the washer and wingnut are from the interior.

READ THIS MANUAL IN ITS ENTIRETY BEFORE ASSEMBLING OR USING THIS PRODUCT.

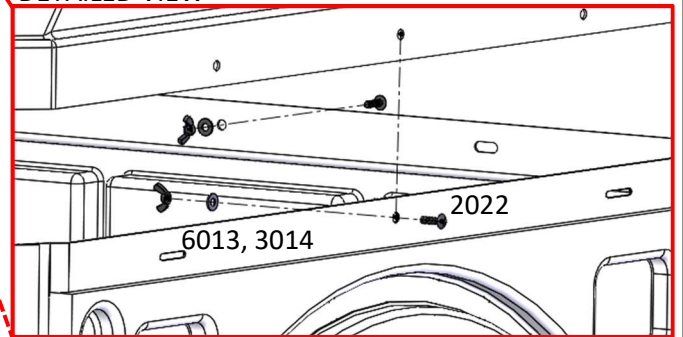
ATTENTION! DO NOT RETURN TO RETAILER. IF THERE ARE ANY MISSING OR BROKEN COMPONENTS PLEASE CONTACT THE MANUFACTURER AT (989) 575-3122. REFERENCE BLIND MODEL: **EDGE 04619V** AND THE SPECIFIC COMPONENTS NAME FROM THE PARTS LIST.

FIG 5



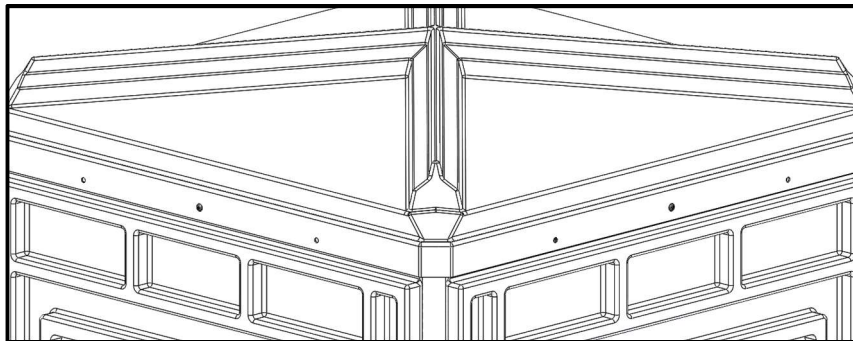
STEP 5: Fasten the Edge Roof [03863V-A] to the assembly using (4) Bolt ¼-20 x 7/8" [2022], (4) Washer ¼ ID 5/8 OD [3014], and (4) Wing Nut ¼-20 [6013]. Fasten only through the **MIDDLE HOLES** on each side.

DETAILED VIEW



Roof Support Note (optional): This product is not designed for sustained snow load. If the product will be unattended for any period of time through the winter months we recommend a 2x4 support being placed in the center of the structure. We recommend a 75-1/2" Length. Cut a 2x4 to this measurement. Lodge the support between the floor and the roof when blind is not in use. This will help support the roof under heavy snowfall. NOTE: If your roof does collapse it can be reset by disconnecting the roof and placing it on the ground. Once it is on the ground, stand on the roof to push the dent out and back into shape.

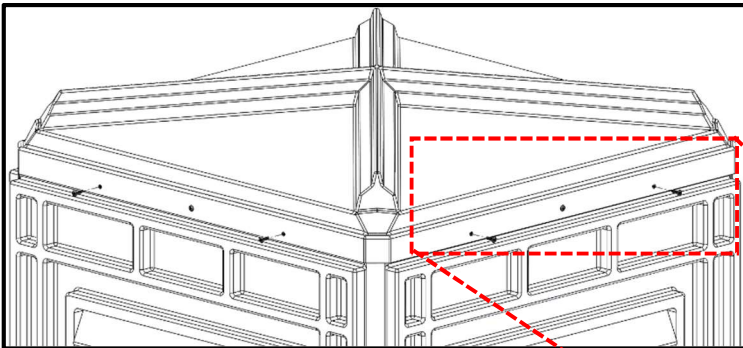
NOTE: When assembling, be sure that the bolt is inserted from the exterior and the washer and wingnut are from the interior. Make sure that the roof panel is resting **ON and OVER** the sidewall panels.



READ THIS MANUAL IN ITS ENTIRETY BEFORE ASSEMBLING OR USING THIS PRODUCT.

ATTENTION! DO NOT RETURN TO RETAILER. IF THERE ARE ANY MISSING OR BROKEN COMPONENTS PLEASE CONTACT THE MANUFACTURER AT (989) 575-3122. REFERENCE BLIND MODEL: **EDGE 04619V** AND THE SPECIFIC COMPONENTS NAME FROM THE PARTS LIST.

FIG 6



STEP 6: Finish fastening the Edge Roof [03863V-A] to the assembly with (8) Bolt ¼-20 x 7/8" [2022], (8) Washer ¼ ID 5/8 OD [3014], and (8) Wing Nut ¼-20 [6013]. Fasten through the holes on the Roof and the slots on the wall/door panels.

NOTE: When assembling, be sure that the bolt is inserted from the exterior and the washer and wingnut (NOT SHOWN IN PICTURES) are from the interior.

DETAILED VIEW

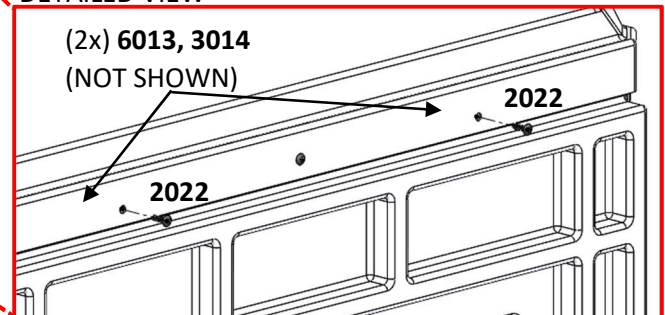
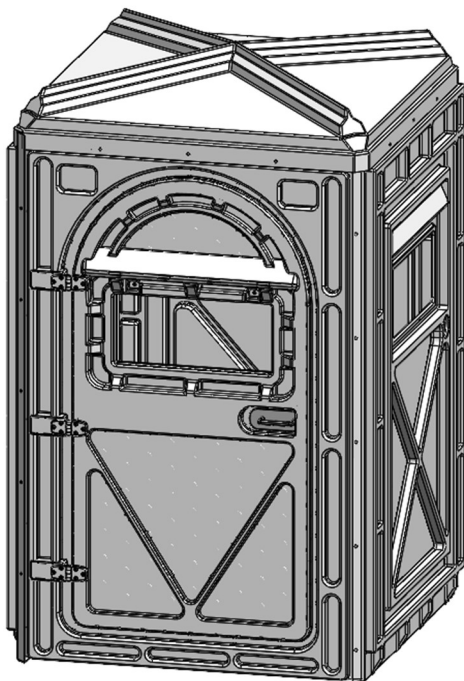
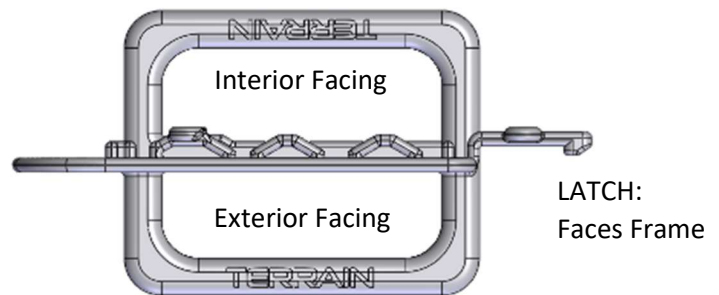


FIG 7



STEP 7: Install the Door Handle [INS-TERRAIN-HANDLE] into the Door/Frame Assembly [04627V-A] panel. This step does not require any additional hardware.

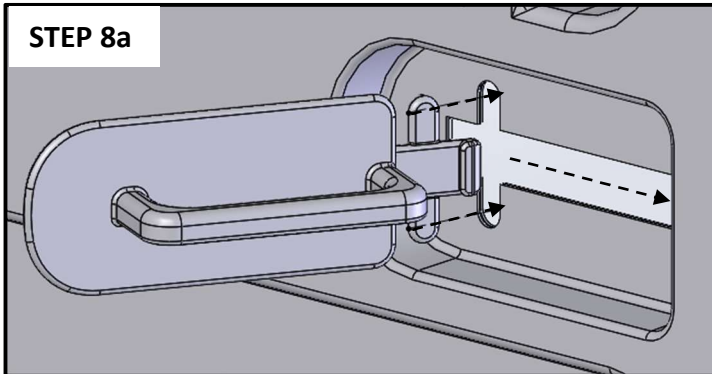
NOTE: When assembling, be sure the handle is in the correct orientation as shown. The TERRAIN text faces up, the LATCH faces towards the frame, and the WEATHER COVER is on the exterior.



READ THIS MANUAL IN ITS ENTIRETY BEFORE ASSEMBLING OR USING THIS PRODUCT.

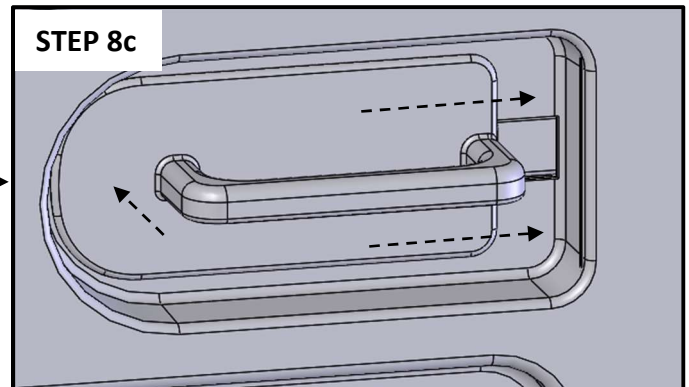
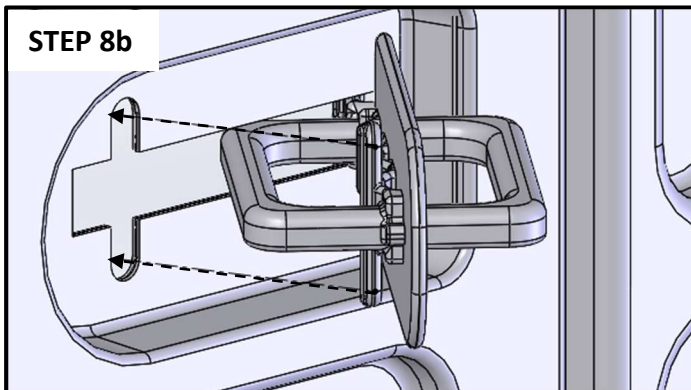
ATTENTION! DO NOT RETURN TO RETAILER. IF THERE ARE ANY MISSING OR BROKEN COMPONENTS PLEASE CONTACT THE MANUFACTURER AT (989) 575-3122. REFERENCE BLIND MODEL: **EDGE 04619V** AND THE SPECIFIC COMPONENTS NAME FROM THE PARTS LIST.

FIG 8



STEP 8a: Install the Door Handle [INS-TERRAIN-HANDLE] into the Door/Frame Assembly [04627V-A] from the exterior of the panel. Insert the tabs near the latch on the Door Handle into the slot as shown. Slide the partially installed handle towards the door frame.

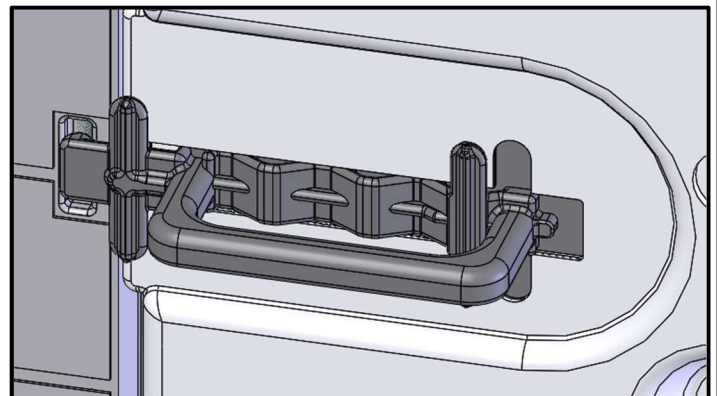
STEP 8b: Push the back set of tabs on the Door Handle through the slot. This is a tight fit, designed to be a snap fit. The tabs are angled to assist with installation.



STEP 8c: While applying pressure in on the handle to keep the tabs in the slot, slide the handle towards the door frame.

NOTE: While the handle is removable, it is designed to be installed only once. Refrain from removing and reinstalling the handle more than needed.

DETAILED VIEW - INTERIOR



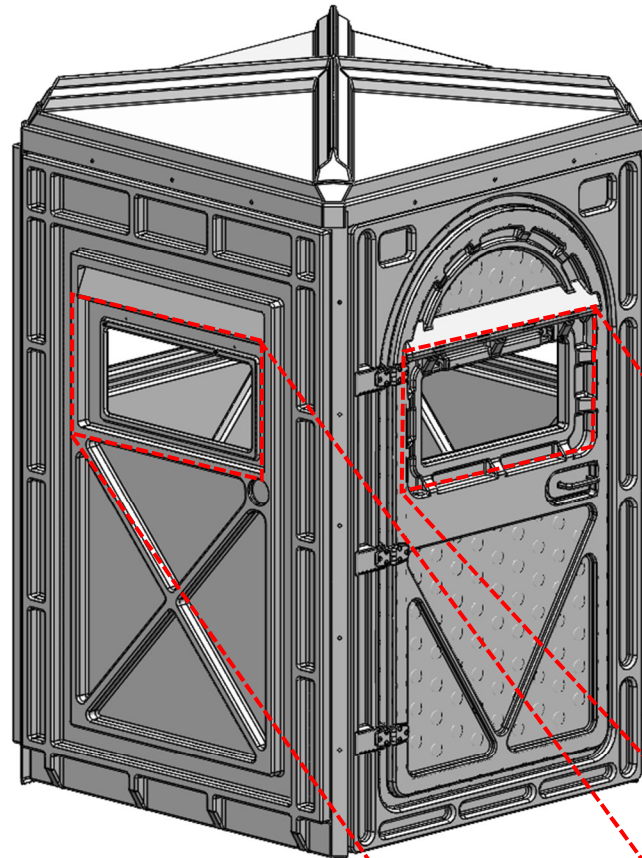
READ THIS MANUAL IN ITS ENTIRETY BEFORE ASSEMBLING OR USING THIS PRODUCT.

ATTENTION! DO NOT RETURN TO RETAILER. IF THERE ARE ANY MISSING OR BROKEN COMPONENTS PLEASE CONTACT THE MANUFACTURER AT (989) 575-3122. REFERENCE BLIND MODEL: **EDGE 04619V** AND THE SPECIFIC COMPONENTS NAME FROM THE PARTS LIST.

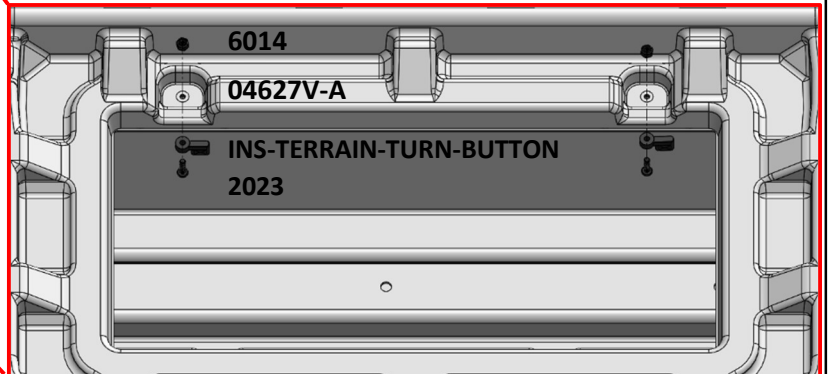
FIG 9

STEP 9: Install (8) Window Latches [**INS-TERRAIN-TURN-BUTTON**] into the Door/Frame Assembly [**04627V-A**] and (3) Common Sidewall Panels [**03864V-A**]. Use (8) Bolts (10-32 X ¾") [**2023**] and (8) Nuts (10-32 Lock Nut) [**6014**].

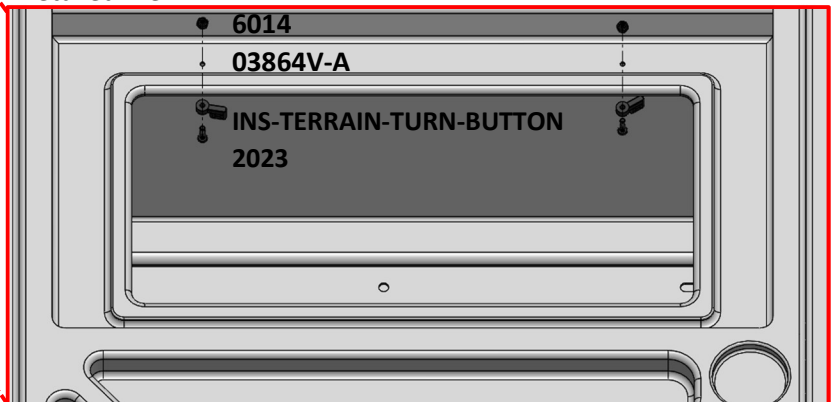
NOTE: Install using Bolt and Window Latch from the interior and the Nut from the exterior. Tighten just enough to keep latches open or closed - **DO NOT OVERTIGHTEN.**



Detailed View



Detailed View



ATTENTION! DO NOT RETURN TO RETAILER. IF THERE ARE ANY MISSING OR BROKEN COMPONENTS PLEASE CONTACT THE MANUFACTURER AT (989) 575-3122. REFERENCE BLIND MODEL: **EDGE 04619V** AND THE SPECIFIC COMPONENTS NAME FROM THE PARTS LIST.

FIG 10

STEP 10: Attach (4) Windows [INS-COMMON TAB PLEXIGLASS] to (4) Window Hinges [INS-COMMON LIVING HINGE]. Groove in Window must snap into place on tab of Window Hinge. If installed correctly and fully, a small snapping noise can be heard.

NOTE: Window Hinges may be loose in the box OR connected to the wall/door panels.

Detailed View

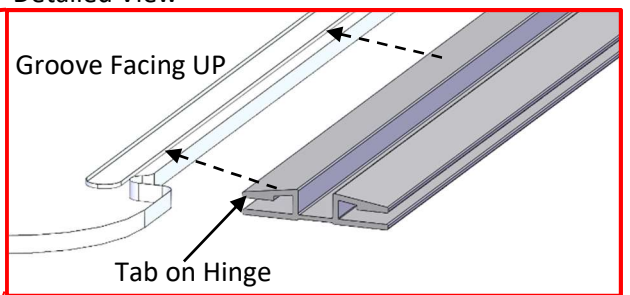


FIG 11

STEP 11: Attach (4) assembled Window/Hinges to the Sidewalls and Door panel. Install from the interior of the blind, and keep the Tab on the Hinge and the Groove on the Window facing UP. Press fully over edge of window cut out. If installed correctly and fully, a small snapping noise can be heard.

NOTE: Window is designed to fold open completely. If Hinge binds on itself during opening or closing it is installed incorrectly.

Detailed View

