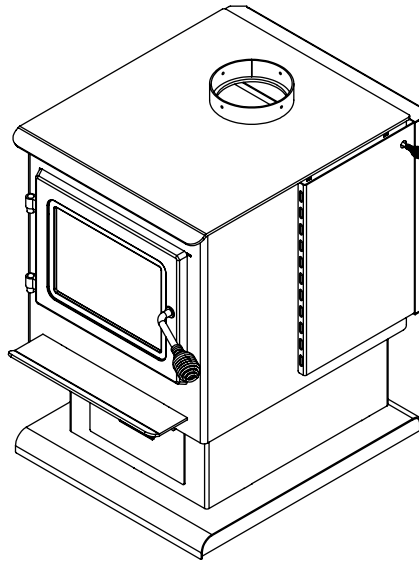


	<h1>OPERATING INSTRUCTIONS AND OWNER'S MANUAL</h1>	Model #
		T100

READ INSTRUCTIONS CAREFULLY: YOUR SAFETY IS IMPORTANT TO YOU AND TO OTHERS. Read and follow all instructions. Place instructions in a safe place for future reference. Do not allow anyone who has not read these instructions to assemble, light, adjust or operate the stove.

TARGHEE WOOD FIRE STOVE




PRODUCT SPECIFICATIONS AND APPEARANCE ARE SUBJECT TO CHANGE WITHOUT NOTICE. PRODUCT IMAGE MAY NOT BE PRECISE.

THE AUTHORITY HAVING JURISDICTION (SUCH AS MUNICIPAL BUILDING DEPARTMENT, FIRE DEPARTMENT, FIRE PREVENTION BUREAU, ETC.) SHOULD BE CONSULTED BEFORE INSTALLATION TO DETERMINE ANY NEED TO OBTAIN A PERMIT. OBSERVE ALL LOCAL BUILDING CODES.

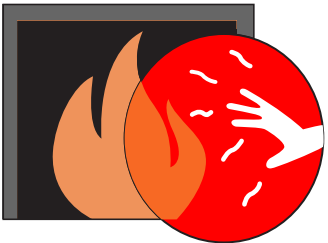
⚠ WARNING: IN CASE OF CHIMNEY FIRE:

- 1. CLOSE AIR INLET CONTROL BY PUSHING AIR CONTROL IN TOWARDS STOVE.**
- 2. GET OUT OF THE HOUSE OR BUILDING.**
- 3. CALL THE FIRE DEPARTMENT.**

⚠ CAUTION: A CHIMNEY FIRE MAY CAUSE IGNITION OF WALL STUDS OR RAFTERS WHICH WERE ASSUMED TO BE A SAFE DISTANCE FROM THE CHIMNEY. IF A CHIMNEY FIRE HAS OCCURRED, HAVE YOUR CHIMNEY INSPECTED BY A QUALIFIED EXPERT BEFORE USING AGAIN.



DANGER



HOT GLASS WILL CAUSE BURNS. DO NOT TOUCH GLASS UNTIL COOLED.

NEVER ALLOW CHILDREN TO TOUCH THE GLASS.

- Due to the high surface temperatures this unit should be located an appropriate distance from any and all combustible materials. Comply with all clearances to combustibles, see page 5.
- Assembled stove must be connected to a flue vented to the outdoors in accordance with local guidelines, see installation requirements & guidelines page 6 through page 12.
- Only use with permitted fuels, see page 15. **DO NOT BURN GARBAGE.**

THIS WOOD HEATER HAS A MANUFACTURER-SET MINIMUM LOW BURN RATE THAT MUST NOT BE ALTERED. IT IS AGAINST FEDERAL REGULATIONS TO ALTER THIS SETTING OR OTHERWISE OPERATE THIS WOOD HEATER IN A MANNER INCONSISTENT WITH OPERATING INSTRUCTIONS IN THIS MANUAL.

GENERAL HAZARD WARNING:

- ⚠ FAILURE TO COMPLY WITH THE PRECAUTIONS AND INSTRUCTIONS PROVIDED WITH THIS STOVE, CAN RESULT IN DEATH, SERIOUS BODILY INJURY AND PROPERTY LOSS OR DAMAGE FROM HAZARDS OF FIRE, EXPLOSION, BURN, ASPHYXIATION, CARBON MONOXIDE POISONING, AND/OR ELECTRICAL SHOCK.
- ⚠ ONLY PERSONS WHO CAN UNDERSTAND AND FOLLOW THE INSTRUCTIONS SHOULD USE OR SERVICE THIS STOVE.
- ⚠ IF YOU NEED ASSISTANCE OR STOVE INFORMATION SUCH AS AN INSTRUCTIONS MANUAL, LABELS, ETC. CONTACT THE MANUFACTURER.

CAUTION:

- ⚠ IF THE STOVE OR STOVE PIPE GLOWS RED THE UNIT IS OVERFIRING. CLOSE STOVE DOOR AND IMMEDIATELY SHUT ALL AIR CONTROLS (PUSH AIR CONTROL TO THE "IN" POSITION) TO REDUCE AIR SUPPLY AND SLOW DOWN COMBUSTION.

CAUTION:

- ⚠ DO NOT CONNECT A WOOD BURNING STOVE TO AN ALUMINUM TYPE B GAS VENT. Use only the exhaust ventilation systems specified in these instructions.

WARNING:

- ⚠ FIRE, BURN, INHALATION, AND EXPLOSION HAZARD. KEEP SOLID COMBUSTIBLES, SUCH AS BUILDING MATERIALS, PAPER OR CARDBOARD, A SAFE DISTANCE AWAY FROM THE STOVE AS RECOMMENDED BY THE INSTRUCTIONS NEVER USE THE STOVE IN SPACES WHICH DO OR MAY CONTAIN VOLATILE OR AIRBORNE COMBUSTIBLES, OR PRODUCTS SUCH AS GASOLINE, SOLVENTS, PAINT THINNER, DUST PARTICLES OR UNKNOWN CHEMICALS.

- ⚠ **WARNING:** This product can expose you to chemicals including lead and lead compounds, which are known to the State of California to cause cancer and birth defects or other reproductive harm. For more information visit www.P65Warnings.ca.gov

CAUTION:

- ⚠ A DRAFT READING OF 0.05 TO 0.06 INCHES WATER COLUMN OF NEGATIVE PRESSURE IN THE CHIMNEY IS REQUIRED FOR PROPER BURNING OF THIS STOVE. OTHER APPLIANCES, ENVIRONMENTAL FACTORS, CHIMNEY TEMPERATURE, AND CHIMNEY INSTALLATION CAN AFFECT AND ALTER DRAFT. BE ATTENTIVE TO YOUR STOVE'S OPERATION.

Contents

SPECIFICATIONS.....	3	CHIMNEY REQUIREMENTS.....	10
SAFETY PRECAUTIONS.....	4	VENTILATION.....	13
CLEARANCE TO COMBUSTIBLES.....	5	OPERATION.....	14
INSTALLATION.....	6	MAINTENANCE.....	18
CHIMNEY CONNECTORS REQUIREMENTS AND INSTALLATION.....	7	TROUBLESHOOTING.....	21
ADDITIONAL MOBILE HOME REQUIREMENTS....	9	SERVICE PARTS.....	22

SPECIFICATIONS

Model #	T100
	DIMENSIONS
Stove Dimensions WxLxH [in (cm)]	20 x 28.75 x 31 (50.8 x 73 x 78.7)
Flue Collar	6.0 in. Round
	OPERATION SPECIFICATIONS
Fuel	Wood
Maximum Burn Time (Mins.)*	455
	EPA and SAFETY COMPLIANCE SPECIFICATIONS
EPA Compliance**	Certified
Heat Output Range (BTU/HR)	15,447 48,573
Particulate Emissions (g/hr)	1.84
Avg Overall Efficiency (HHV)	73% (1)(2)
Avg Overall Efficiency (LHV)	78% (1)(3)
Optimal Efficiency (LHV)	78% (3)(4)
Optimal Heat Transfer Energy (HHV)	76% (2)(4)(5)
Tested To	UL-1482-11 7th Edition Standard for solid-fuel type room heater
	ULC S627-21 Standard for Space Heaters for use with Solid Fuels

*Maximum burn times are heavily dependent on the type of wood burned in the stove, so these numbers may vary.

** U.S. ENVIRONMENTAL PROTECTION AGENCY Certified to comply with 2020 particulate emission standards using cord wood.

Wood Stove Efficiency Reference:

1. Measured per CSA B415.1-10
2. Higher Heating Value of the fuel
3. Lower Heating Value of the fuel
4. Low Burn Rate & Extended Burn Time
5. Heat transfer efficiency represents the appliance's ability to convert the energy contained in the solid fuels into energy transferred to the room in the form of heat and does not take into account the chemical losses during combustion.

PLEASE READ THIS ENTIRE MANUAL BEFORE YOU INSTALL AND USE YOUR NEW STOVE. FAILURE TO FOLLOW INSTRUCTIONS MAY RESULT IN PROPERTY DAMAGE, BODILY INJURY, OR EVEN DEATH.

THIS WOOD HEATER NEEDS PERIODIC INSPECTION AND REPAIR FOR PROPER OPERATION. IT IS AGAINST FEDERAL REGULATIONS TO OPERATE THIS WOOD HEATER IN A MANNER INCONSISTENT WITH OPERATING INSTRUCTIONS IN THIS MANUAL.

SAFETY PRECAUTIONS

HAVE AN ESTABLISHED PLAN FOR WHAT TO DO IN THE EVENT OF A FIRE. CONTACT YOUR LOCAL FIRE AUTHORITY TO ACQUIRE INFORMATION AND A PLAN FOR WHAT TO DO IN THE EVENT OF A CHIMNEY FIRE.

⚠ WARNING: FOR INSTALLATIONS IN A MOBILE HOME, DO NOT INSTALL IN A SLEEPING ROOM. OBEY ALL ADDITIONAL REQUIREMENTS. SEE PAGE 9.

⚠ CAUTION: DO NOT CONNECT TO OR USE IN CONJUNCTION WITH ANY AIR DISTRIBUTION DUCTWORK UNLESS SPECIFICALLY APPROVED FOR SUCH INSTALLATIONS.

⚠ CAUTION: DO NOT USE CHEMICALS OR FLUIDS TO START THE FIRE.

⚠ CAUTION: DO NOT BURN GARBAGE OR FLAMMABLE FLUIDS SUCH AS GASOLINE, NAPHTHA OR ENGINE OIL.

⚠ CAUTION: HOT WHILE IN OPERATION. KEEP CHILDREN, CLOTHING AND FURNITURE AWAY. CONTACT MAY CAUSE SKIN BURNS.

⚠ CAUTION: DO NOT STORE FLAMMABLE VAPORS, LIQUIDS, OR SOLID FUELS WITHIN THE VICINITY OF THIS STOVE, NEAR ELECTRICITY SOURCES, OR NEAR ASH REMOVAL SITES.

⚠ CAUTION: THIS STOVE HAS ONLY BEEN TESTED WITH FIRES BUILT DIRECTLY ON THE PROVIDED FIRE BRICKS AT BOTTOM OF FIREBOX. DO NOT USE ANY ACCESSORY TO ELEVATE FIRE.

⚠ WARNING: NEVER LEAVE A RUNNING STOVE UNATTENDED WHILE DOOR IS OPEN. THE DOOR MAY ONLY BE OPEN FOR FIRE STARTING AND FIRE TENDING. TO CLOSE: FIRMLY ROTATE DOOR HANDLE CLOCK WISE UNTIL THE DOOR IS SECURELY LATCHED.

⚠ WARNING: NEVER LEAVE CHILDREN NEAR THE STOVE UNATTENDED WHILE THE STOVE IS OPERATING.

⚠ WARNING: OTHER THAN THE DESIGNED AIR CONTROL WITH THE PRIMARY AIR INLET AIR CONTROL, DO NOT TAMPER WITH AIR SUPPLY IN CHIMNEY OR INLET DUCT AS AN ATTEMPT TO INCREASE FIRING RATE.

CARBON MONOXIDE

WARNING:

⚠ WHEN USED WITHOUT ADEQUATE COMBUSTION AND VENTILATION AIR OR WITH PROHIBITED FUELS, THIS STOVE MAY GIVE OFF EXCESSIVE CARBON MONOXIDE, AN ODORLESS, POISONOUS GAS.

WARNING:

⚠ EARLY SIGNS OF CARBON MONOXIDE POISONING RESEMBLE THE FLUE, WITH HEADACHE, DIZZINESS AND/OR NAUSEA. IF YOU HAVE THESE SIGNS, STOVE MAY NOT BE WORKING PROPERLY. GET FRESH AIR AT ONCE! HAVE STOVE SERVICED.

SOME PEOPLE - PREGNANT WOMEN, PERSONS WITH HEART OR LUNG DISEASE, ANEMIA, THOSE UNDER THE INFLUENCE OF ALCOHOL, THOSE AT HIGH ALTITUDES - ARE MORE AFFECTED BY CARBON MONOXIDE THAN OTHERS.

Regardless of how safe this stove is, every fuel burning appliance creates Carbon Monoxide. It is strongly recommended to reduce risk to you and your loved ones as much as possible by installing a Carbon Monoxide detector. Follow the installation, operation, & maintenance instructions provided by the manufacturer of your detector.

SMOKE DETECTORS

Have at least 1 smoke detector on each floor of your building. Follow the installation, operation, & maintenance instructions provided by the manufacturer of your detector. Avoid nuisance alarms by not placing the detector outside the immediate vicinity of the stove. Typically a good installation location for smoke detectors is near bedrooms.

FOR MORE SAFETY INFORMATION

For auxiliary information regarding wood stove safety and operation information contact the National Fire Protection Association (NFPA) by mail at:

NFPA, Batterymarch Park, Quincy, MA 02269

or visit the NFPA website:

<https://www.nfpa.org/>

CLEARANCE TO COMBUSTIBLES

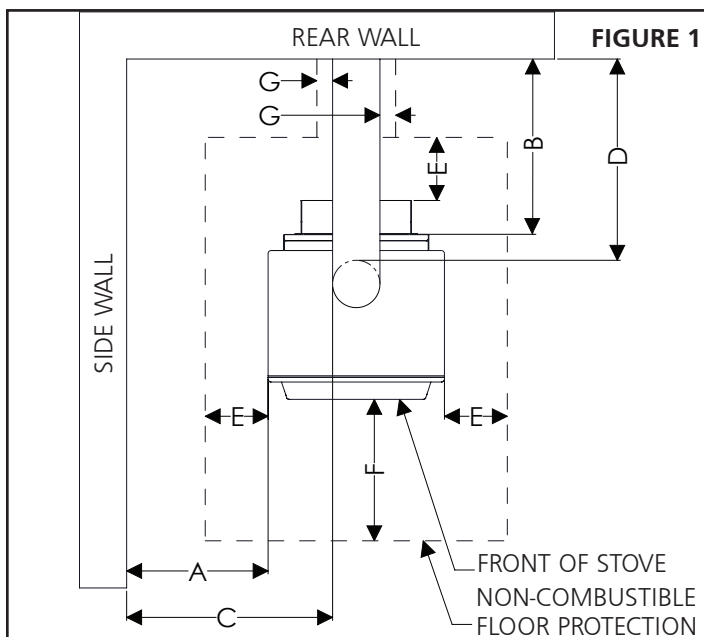
(Refer to Figure 1 and Table 1)

The following stated clearances represent the minimum distances between the stove and any other object. No objects should encroach into this space. This includes but is not limited to carpet, furniture, children, pets, clothing, fuel, or any other object. These clearances may not be reduced by any means or regulatory authority within United States or Canada.

The stove shall not be less than 20 inches (51 cm) (A) from a side wall and [U.S. - 8.25 inches (21 cm); Canada - 12.25 inches (31 cm)] (B) from the back wall. The wall of a vertical vent pipe must not be less than 26.75 inches (68 cm) (C) from any wall.

The Minimum floor-to-ceiling distance of the room is 84 inches (213.4 cm).

The minimum distance between the ceiling and the wall of any horizontal vent pipe is 18 inches (45.7 cm).

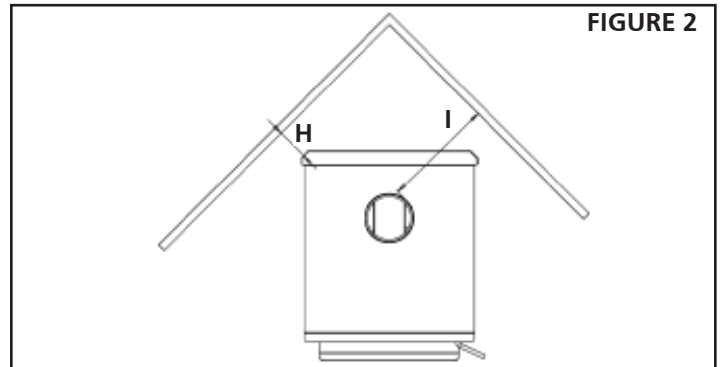


	USA	CANADA
A	20 in. (51 cm)	20 in. (51 cm)
B	8.25 in. (21 cm)	12.25 in. (31 cm)
C	26.75 in. (68 cm)	26.75 in. (68 cm)
D	14 in. (35.6 cm)	18 in. (45.8 cm)
E	8 in. (20.3 cm)	8 in. (20.3 cm)
F	16 in. (40.6 cm)	18 in. (45.7 cm)
G	2 in. (5.1 cm)	2 in. (5.1 cm)
H	6.5 in. (16.5 cm)	8.5 in. (21.6 cm)
I	16 in. (40.6 cm)	18 in. (45.8 cm)

Table 1

CORNER INSTALLATION

The stove shall not be less than [U.S. - 6.5 inches (16.5 cm); Canada - 8.5 inches (21.6 cm)] (H) from a corner. The wall of a vertical vent pipe must not be less than [U.S. - 16 inches (40.6 cm); Canada - 18 inches (45.8 cm)] (I) from any corner.



FLOORING SPACE (Refer to Figure 1 and Table 1)

The floor protector must extend at least [in U.S. - 16 in. (40.6 cm); in Canada - 18 in. (45.7 cm)] (F) to the front and at least 8 in. (20.3 cm) (E) beyond each side of the fuel loading and ash removal opening. The floor protection must extend under the flue connector and extend 2 in. (5.1 cm) (G) beyond each side of the pipe.

FLOORING MATERIAL

The stove may be installed on solid concrete or solid masonry flooring. A combustible floor must be protected with non-insulated ember board per CSA B365. Space heaters meeting the requirements of CAN/ULC-S627 are suitable for installation on a combustible floor and do not require radiant floor protection.

ACCESSORY INSTALLATION

BLOWER KIT (F500308) (Not Included)

The blower may be mounted to the rear of the stove. When plugged in and while the stove is in use this blower will propagate air along the outside of the fire box, warming the air before it is then circulated into the area to be heated.

⚠ WARNING: BLOWER MUST BE DISCONNECTED FROM POWER SUPPLY BEFORE INSTALLING. IT IS ONLY INTENDED FOR USE WITH THIS STOVE.

Using a 5/16" open end or socket wrench, remove the 4 screws holding the rear panel. Attach the blower mounting box to the rear of the unit using 4 of the supplied #10 screws. Mount the blower assembly to the mounting box with the 4 remaining #10 screws.

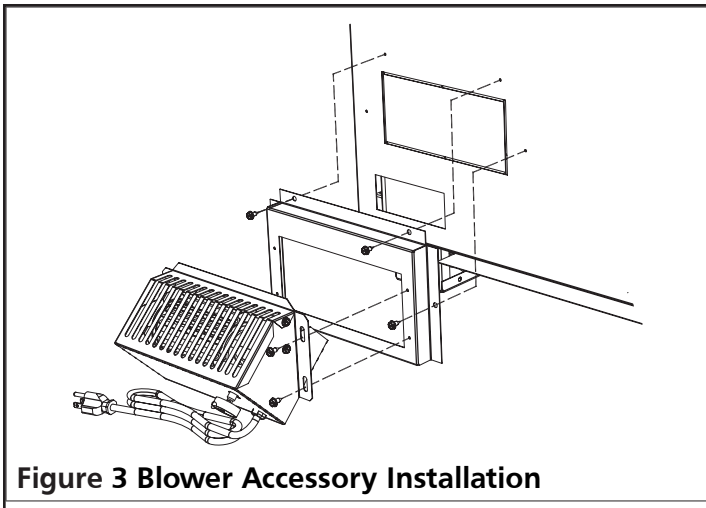


Figure 3 Blower Accessory Installation

ELECTRICAL CONSIDERATIONS

The Blower Motor requires 120V, 60 Hz AC and will draw 0.26 amps of current. If you plan to ever use the blower, the rear of the stove will need to be within power cord distance, which is roughly 65 inches (165 cm) of an electrical outlet. Lay the power cord out such that it will not come into contact with the stove's surface so it does not overheat and get damaged. Keep power cord at least 12 inches from stove surfaces.

OUTSIDE AIR KIT (F500308)

Air starvation and icing can cause the stove to smoke into the room. Adequate ventilation from an outside air kit is required to prevent this. The air intake(s) at the exterior of the structure shall:

— Include dampers that:

1. Allow 100 % closure; and
2. Are provided with an indicator showing the approximate position of the damper.

— Be designed to:

1. Prevent material from dropping into any area beneath the structure;
2. Prevent rodents from entering from the outside;
3. Permit zero clearance to combustible construction; and
4. Weather hoods shall not permit line of sight access to the intake opening.

Where a space heater is constructed with one or more inlets to provide combustion air from the outdoors, all openings, including the fuel-charging door, the ashpit door, and clearances between parts or components where ambient air might leak into the heat exchanger, or the products of combustion might leak out, shall be adequately and durably sealed to prevent more than insignificant leakage.

Wood Fire Stove

INSTALLATION

Take measurements of your space and plan for your chimney system as detailed in the following instructions.

This stove may also be installed for use in a mobile home in the U.S. ONLY. In addition to the following instructions, review and adhere to the mandatory requirements on page 9.

⚠ WARNING: When this stove is not properly installed, a house fire may result. To reduce the risk of fire, follow the installation instructions. Contact local building or fire officials about restrictions and installation inspection requirements in your area.

TOOLS REQUIRED (NOT SUPPLIED)

- Safety Glasses
- Gloves
- Pencil
- Tape Measure
- Tin Snips
- Phillips Screwdriver or comparable electric screw driver & drill bit.
- A friend (the stove is heavy, do not attempt to move the stove without assistance)

PARTS & MATERIALS REQUIRED (NOT SUPPLIED)

- Floor Protection (see "FLOORING SPACE" and "FLOORING MATERIAL" on page 5)
- If for use not in a mobile home: 24 MSG (minimum standard gauge) black, or 26 MSG blue steel, Chimney Connector single wall stove pipe having 6" (152mm) diameter.
If for use in a mobile home: see MOBILE HOME REQUIREMENTS
- UL 103HT (US)/ULC-S629 (CAN) listed manufactured chimney or approved lined masonry chimney. Must have a minimum 6" (152mm) diameter to maximum 10" (254mm) or otherwise maximum 85 sq. in. (550 sq. cm) area specifically for lined masonry chimney. Install per chimney manufacturer's instructions.
- Furnace Cement (manufacturer recommends Rutland Code 78 or equivalent)

⚠ CAUTION: ANY DEVIATION OR ALTERATION FROM THESE INSTALLATION INSTRUCTIONS MAY RESULT IN DAMAGE TO YOU, THE STOVE, YOUR CHIMNEY, AND YOUR HOME. YOUR WARRANTY MAY BECOME VOID. READ AND FOLLOW ALL INSTRUCTIONS. Contact Grand Teton with any comments, concerns, or questions.

POSITIONING THE STOVE

When deciding on a location for the stove, choose a location that will favor the most efficient heat distribution possible throughout the house. Install the stove in the room where the most time is spent and in the most spacious room possible. A stove installed in an open living room will have a higher efficiency than one placed in a basement or outdoors in sub-freezing temperatures. Burning dry wood will also make the stove more efficient than burning wet wood.

When deciding on the position and orientation of the stove be sure to obey all clearance to combustibles, have the stove on smooth level floor and not raised up, and if using the blower accessory have the stove within 65 inches (165 cm) distance of a 120v electrical supply.

⚠ WARNING: DO NOT INSTALL NEAR EXITS OR STAIRS. ENSURE STOVE CAN NOT BLOCK AN EVACUATION IN THE EVENT OF A FIRE.

CHIMNEY CONNECTORS REQUIREMENTS AND INSTALLATION

If you have any questions regarding ventilation options of your stove, contact either:

- The manufacturer Enerco Group Company at 1-866-740-2497/1-800-251-0001. Our office hours are 8:00 AM – 5:00 PM, EST, Monday through Friday.
- The National Fire Protection Association (NFPA) and request a copy of the latest editions of NFPA Standard 211 and NFPA Standard 908. The mailing address of the NFPA is Battery March Park, Quincy, MA 02269.

⚠ CAUTION: THIS STOVE SHALL NOT BE INSTALLED IN A BEDROOM OR BATHROOM.

⚠ CAUTION: DO NOT INSTALL IN AN ALCOVE.

The chimney connector must be stove pipe meeting these requirements:

- Have a 6 inch (152 mm) diameter
- Single wall
- Be made of 24 MSG (minimum standard gauge) blue steel.

Insert the chimney pipe's crimped edge into the stove's exhaust at the top of the stove. Secure the pipe in place with three sheet metal screws through three evenly spaced holes.

Any additional connector pipes or elbows should be installed with crimped end on the stove end of the

path (not on the chimney end) and should be secured with three evenly spaced sheet metal screws.

The following venting pipe precautions need to be adhered to:

- At least 2 feet (61 cm) of vertical pipe coming out of the stove is required, at minimum before the system is permitted to have a horizontal section of venting.
- NOTE: Do not install the chimney directly at the outlet of the appliance. A chimney connector (flue pipe) is required unless the appliance is specifically approved for that type of installation.
- Horizontal vent pipe must be sloped downward away from the chimney 1/4" (0.6 cm) for every 1' (0.3m).
- Minimum clearance between the highest point of horizontal vent pipe and the ceiling is 18" (45.7 cm)
- A total of two (2) elbows are permitted for venting installation. Do not exceed two elbows as this may result in inadequate draft and cause leakage of smoke. When using elbows the integrity of the draft can be best protected by using non adjustable corrugated elbows.

⚠ CAUTION: THE JOINTS OF ANY AND ALL CONNECTIONS FOR ANY VENTILATION SYSTEMS (COMBUSTION EXHAUST AND OPTIONAL INLET AIR DUCT) MUST BE SEALED WITH HIGH TEMPERATURE SILICONE.

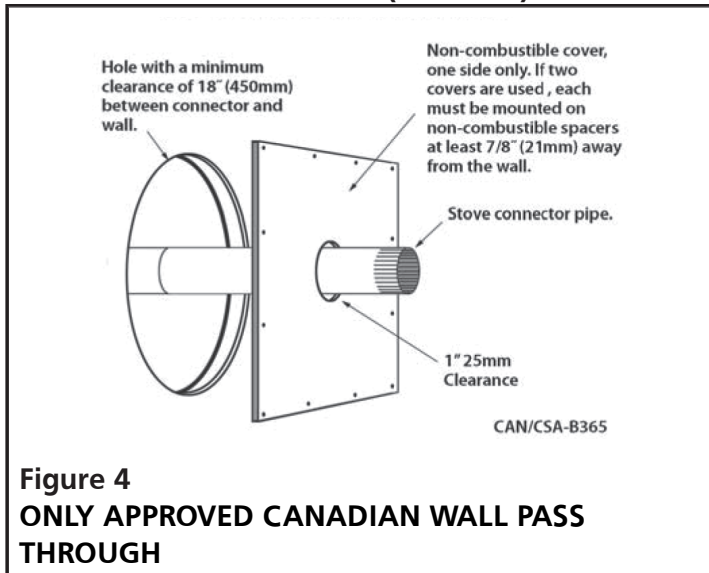
⚠ CAUTION: A CHIMNEY CONNECTOR SHALL NOT PASS THROUGH AN ATTIC OR ROOF SPACE, CLOSET OR SIMILAR CONCEALED SPACE, OR A FLOOR, OR CEILING. WHERE PASSAGE THROUGH A WALL, OR PARTITION OF COMBUSTIBLE CONSTRUCTION IS DESIRED, THE INSTALLATION SHALL CONFORM TO CAN/CSA-B365, INSTALLATION CODE FOR SOLID-FUEL-BURNING APPLIANCES AND EQUIPMENT.

⚠ CAUTION: DO NOT CONNECT THIS UNIT TO A CHIMNEY FLUE SERVING ANOTHER APPLIANCE.

Where passage through a wall or partition of combustible construction is desired, the installation shall conform to chimney manufacturer's instructions.

NOTE: In Canada, installation must conform to CAN/CSA-B365 when passing through combustible construction, illustrated in Figure 4 on next page.

NFPA 211 (US ONLY) APPROVED WALL PASS THROUGH TECHNIQUES



air space between the outer wall of the chimney length and combustibles.

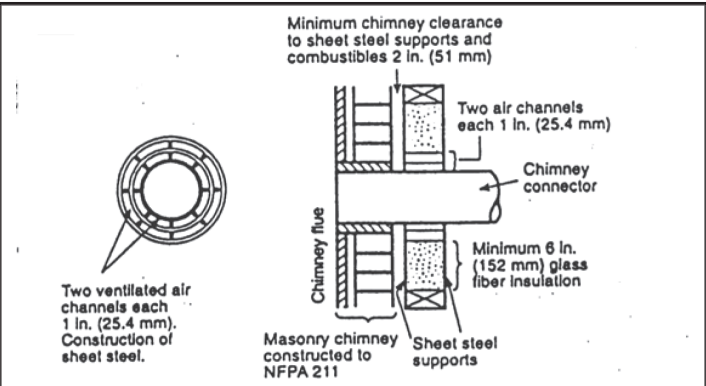


Figure 7 (US ONLY)
Ventilated Thimble: Sheet steel chimney connector, minimum 24 gauge in thickness, with a ventilated thimble, minimum 24 gauge in thickness, having two 1 inch (25.4 mm) air channels, separated from combustibles by a minimum of 6 inches (152 mm) of glass fiber insulation. Opening shall be covered, and thimble supported with a sheet steel support, minimum 24 gauge in thickness.

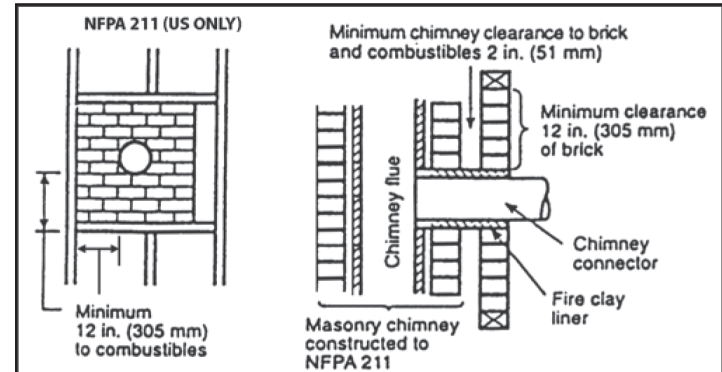


Figure 5 (US ONLY)
Brick Masonry: Minimum 3.5 inch (89 mm) thick brick masonry all framed into combustible wall with a minimum of 12 inch (305 mm) brick separation from clay liner to combustibles. The fire clay liner shall run from outer surface of brick wall to, but not beyond, the inner surface of chimney flue liner and shall be firmly cemented in place.

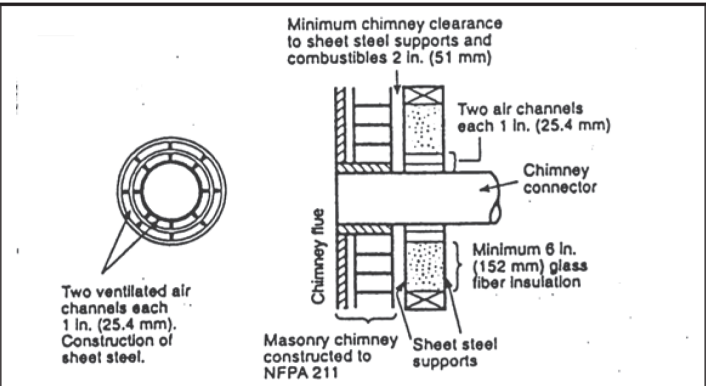


Figure 8 (US ONLY)
Chimney Section Pass-through: Solid insulated, listed factory-built chimney length with an inside diameter 2 inches (51 mm) larger than the chimney connector and having 1 inch (25.4 mm) or more of insulation, serving as a pass-through for a single wall sheet steel chimney connector of minimum 24 gauge thickness, with a minimum 2 inches (51 mm) of air space between the outer wall of chimney section and combustibles. Minimum length of chimney section shall be 12 inches (305 mm) chimney section spaced 1 inch (25.4 mm) away from connector using sheet steel support plates on both ends of chimney section. Opening shall be covered, and chimney section supported on both sides with sheet steel support securely fastened to wall surfaces of minimum 24 gauge thickness. Fasteners used to secure chimney section shall not penetrate chimney flue liner.

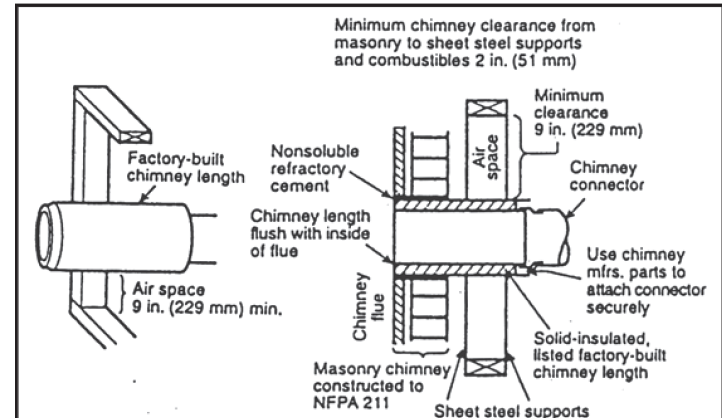


Figure 6 (US ONLY)
Insulated Sleeve: Solid-insulated, listed factory-built chimney length of the same inside diameter as the chimney connector and having 1 inch (25.4 mm) or more of insulation with a minimum 9 inch (229 mm)

ADDITIONAL MOBILE HOME REQUIREMENTS

NOTE: Only approved for US mobile home, not approved for mobile home in Canada.

All mobile home installations must be made in accordance to Manufactured Home and Safety Standard (HUD), CFR 3280, part 24.

PARTS & MATERIALS REQUIRED (NOT SUPPLIED)

⚠ CAUTION: IT IS IMPORTANT TO USE ONLY THE SPECIFIED COMPONENTS. USE OF COMPONENTS OTHER THAN SPECIFIED COMPONENTS MAY RESULT IN INCREASED RISK TO YOU, YOUR STOVE, AND YOUR HOME.

- #8 grounding wire.
 - Two (2) National Electrical Code (NEC) approved grounding device.
 - A paint penetrating washer, such as a star washer.
- All components of the ventilation system listed below must be of the HT type and listed to UL 103 HT. Install per chimney manufacturer's instructions.
- Stove pipe having 6" (152mm) diameter and made of either 24 MSG (minimum standard gauge) black or 26 MSG blue steel.
 - Ceiling thimble suitable for use in mobile home.
 - Roof thimble suitable for use in mobile home.
 - Spark arrestor suitable for use in mobile home.
 - Roof flashing suitable for use in mobile home.
 - Chimney cap which does not permit the entrance of a 1/2" (13 mm) diameter rod.
 - A factory-built chimney, minimum 15 ft (4.6m) tall which conforms to ULC-S629, Standard for 650 °C Factory-Built Chimneys.

ADDITIONAL INSTALLATION REQUIREMENTS

⚠ CAUTION: THE STRUCTURAL INTEGRITY OF THE MOBILE HOME FLOOR, WALL, CEILING, AND ROOF MUST BE MAINTAINED.

- The stove must be installed on a level surface which can support the weight of the stove.
 - The stove must be bolted to the level surface so that it permanently secured and can not be moved, tipped, or have ventilation seals compromised.
 - The stove must be grounded with #8 grounding wire and terminated at each end with a National Electrical Code (NEC) approved grounding device. A paint penetrating washer such as a star washer shall be installed where connected to steel frame of the Mobile Home.
 - The use of outside combustion air is mandatory when installing this wood stove in a mobile or manufactured home.
 - The outside air connection pipe protrudes from the bottom center of the stove; a kit (F500313) is available from Enerco Group, Inc. designed for connecting this unit to outside combustion air.
 - If it is not feasible to use the F500313 outside air hookup kit in your stove installation, other materials may be used, provided the following rules are followed:
 - The duct must have a minimum diameter of 4 inches (10.2 cm).
 - The duct must be made of metal exclusively, not other materials such as plastic.
- The end of this duct on the outside of the mobile home must meet the following requirements:
- The duct hole must be equipped with a screen which prevents rodents from infiltrating.
 - The duct hole must be kept free of leaves, snow, ice, or other debris that could restrict air supply when the appliance is in operation.
- When the chimney exits the mobile home at a location other than through the roof, and exits at a point 7 feet (2.1 m) or less above the ground level on which the mobile home is positioned, a guard or method of enclosing the chimney shall be provided at the point of exit for a height up to 7 feet. The openings in a chimney guard shall not permit:
 - The entrance of a 3/4 inch (19.1 mm) diameter rod; and
 - Contact with the chimney by a 1/2 inch (12.7 mm) diameter rod inserted through the opening a distance of 4 inches (102 mm).

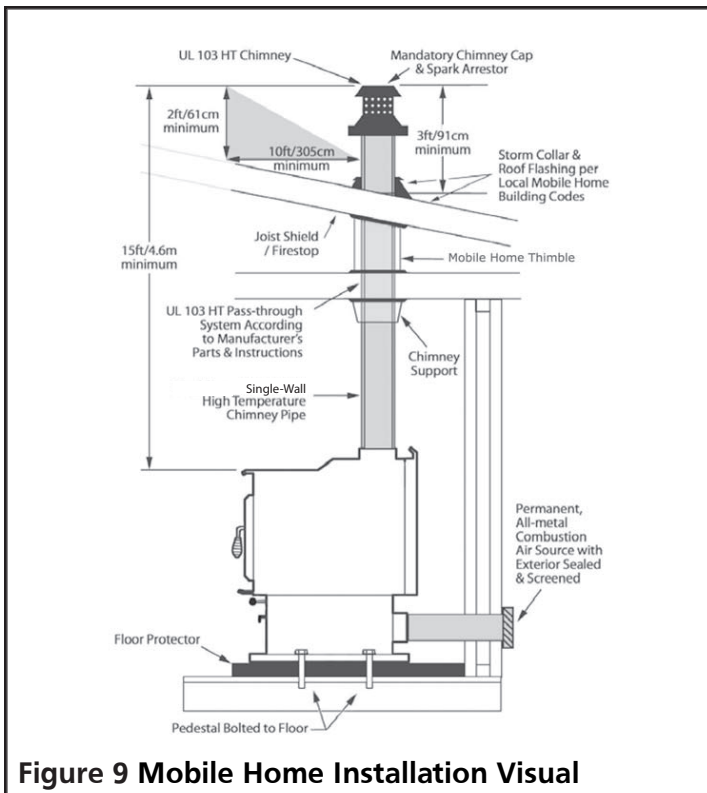


Figure 9 Mobile Home Installation Visual

- The joints of any and all connections for both of ventilation systems (the inlet air and the combustion exhaust) must be sealed with high temperature silicone.
- The chimney must comply with all applicable codes and requirements of the authority having jurisdiction.
- The chimney must be removed for any mobile home transportation, and reinstalled per all instructions after transportation.

CHIMNEY REQUIREMENTS

GENERAL

⚠ CAUTION: DO NOT USE MAKESHIFT COMPROMISES WHEN INSTALLING THE VENTING SYSTEM; HAVE EXISTING CHIMNEY SYSTEMS INSPECTED BEFORE USE AND BE CERTAIN ALL NEW CHIMNEY SYSTEMS ARE INSTALLED TO THE MANUFACTURER'S SPECIFICATIONS AND WITH ONLY UL LISTED COMPONENTS (ULC IF CANADA).

For the sake of exhausting combustion products and also establishing a draft which provides oxygen for combustion, the stove must be installed for use in conjunction with one of the following approved chimney systems:

- A chimney complying with the requirements for Type HT (2100 °F) chimneys in the Standard for Chimneys, Factory-Built, Residential Type and Building Heating Appliance, UL 103 or ULC S629 or a code-approved masonry chimney with a flue liner.
- The chimney size should not be less than or more than three times greater than the cross-sectional area of the flue collar.
- An existing fireplace that is structurally sound, incorporates flue liner (clay tile which protects chimney), has its damper closed and sealed, and has been approved for conversion by a qualified expert.

Any/All chimney systems:

- Must meet the following minimum requirements:
 - Be at least 15 feet (4.6 m) tall or at maximum 45 feet (14 m), measured from the top of the stove to the tip of the chimney cap.
 - Must be at least 3 feet above the roof, measured from the highest point of contact with the roof and the tip of the chimney cap.
 - Must be at least 2 feet (61 cm) above the highest point of the slope of the roof within 10 feet (305 cm) horizontally.
 - Shall be able to be readily removed at or below an elevation of 13-1/2 feet (4.1 m) above ground level and reinstalled without the use of special tools or instructions. The chimney assembly shall be provided with a mechanical securement means to secure the chimney to the ceiling support box.
- Must have a negative pressure of 0.05 to 0.06 inches water column to create an appropriate draft.
- Must not be stove pipe material. Instead, only the three structures specified above may be used.
- Must not be installed for the purposes of venting a cellar or basement.
- Must not be used for this stove if it also serves any other appliance.
- Must not be obstructed by the chimney connector pipes, such as the Figure 10 below illustrates.

Contact your local building authority for approved methods of installation and any necessary permits and/or inspections.

MANUFACTURED CHIMNEY INSTRUCTIONS & DIAGRAM

⚠ WARNING: DO NOT USE SINGLE-WALL CONNECTION PIPE AS A CHIMNEY.

This stove is designed to be used with either a UL 103 or ULC S629 (CAN) listed manufactured chimney or an approved UL-1777 (US)/ULC S635 or ULCS640 (CAN) lined masonry chimney. Not all manufactured chimney are UL 103 or ULC S629 (CAN). Home centers, hardware stores, HVAC supply stores, and the Online websites of chimney manufacturers will be able to provide stove pipe that is rated to these standards.

This listing indicates that the Chimney is rated for high temperatures up to 2100°F (1149°C).

Only use components that all come from the same manufacturer. Do not mix brands of components for the same ventilation system.

The following figures illustrate various methods and requirements of using a manufactured chimney and connection pipes to vent the wood stove.

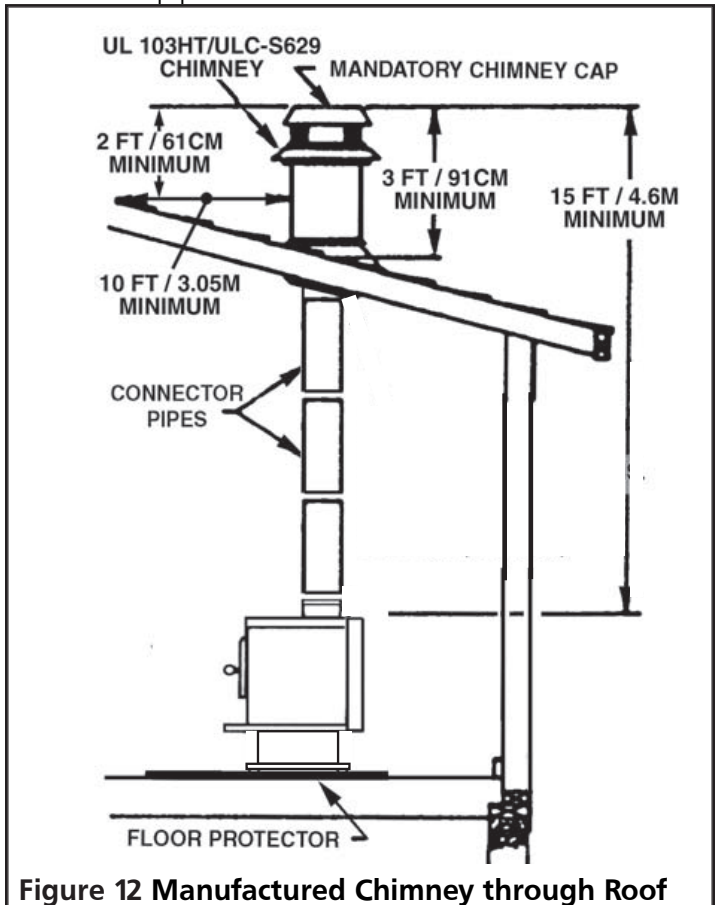


Figure 12 Manufactured Chimney through Roof

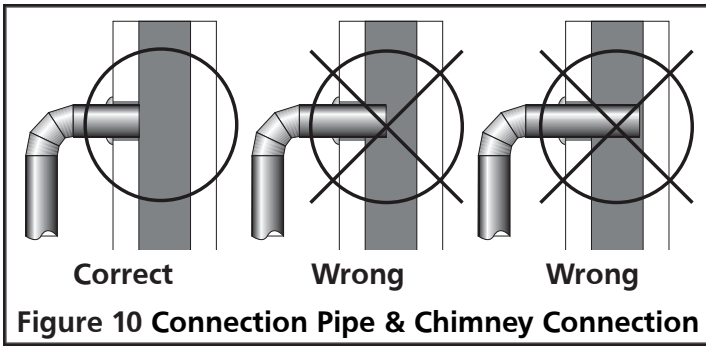


Figure 10 Connection Pipe & Chimney Connection

LINED MASONRY CHIMNEY INSTRUCTIONS & DIAGRAM

This stove is designed to be vented through a masonry chimney with flue liner (clay tile which protects chimney) which conforms to local building codes, fire codes, and latest edition of NFPA 211 US or CAN/CSA-B365.

1. Clean the code-approved lined masonry chimney
2. Inspect the lining of the chimney and make any required repairs.
3. If the connection piping from the stove to a masonry chimney is made through a combustible wall, consult a qualified mason or chimney dealer for consultation. To ensure safety, the installation should only be done by a qualified installer. The installation must conform to the regulations established by local fire codes and building codes.

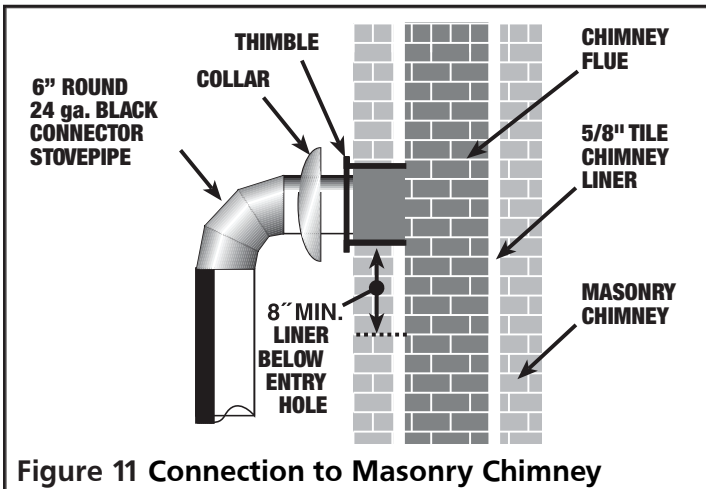


Figure 11 Connection to Masonry Chimney

If there is an opening at the base of the chimney it must be closed tightly.

EXISTING FIREPLACE INSTRUCTIONS & DIAGRAM

This stove may be vented through a fireplace with flue liner (clay tile which protects chimney) only if all of the warnings, requirements and processes below are obeyed. Installation should be executed so that the system can be dismantled for periodic cleaning and inspection.

⚠ WARNING: VENTING A STOVE INTO A FIREPLACE BY ANY METHOD NOT EXPLICATIVELY COVERED, OR WHICH OTHERWISE DOES NOT SATISFY LOCAL CODES, SHOULD NOT BE ATTEMPTED. DOING SO WILL VOID THE WARRANTY ON THIS STOVE, AND MAY CREATE A HAZARD IN YOUR HOME.

⚠ CAUTION: HAVE A QUALIFIED EXPERT INSPECT THE FIREPLACE CHIMNEY AND APPROVE IT FOR CONVERSION FOR USE WITH A WOOD STOVE.

NOTE: MANY FIREPLACES ARE DESIGNED TO WITHSTAND CONTACT WITH COMBUSTIBLES AT THE FLOOR BUT MAY NOT HAVE BEEN TESTED FOR USE WITH A WOOD STOVE. CONNECTION OF A WOOD STOVE TO FIREPLACE CHIMNEY MAY VOID EXISTING WARRANTY ON THE FIREPLACE CHIMNEY.

1. Inspect the chimney. Any questions regarding the condition of the chimney may be directed at a qualified licensed contractor, qualified engineer, competent mason, certified Chimney Sweep, or knowledgeable inspector. The chimney must be:
 - Structurally sound
 - Equipped with flue liner that is in good condition. **If the chimney is unlined or damaged it can not be approved for conversion for use with this wood stove.**
 - Able to be secured and sealed at the throat damper and (if present) clean out or other openings at the base of the chimney which could leak the pressure seal.
2. If the connection piping from the stove to a masonry chimney is to be made through a combustible wall, consult a qualified mason or chimney dealer for consultation. To ensure safety, the installation should only be done by a qualified installer. The installation must conform to the regulations established by local fire codes and building codes.

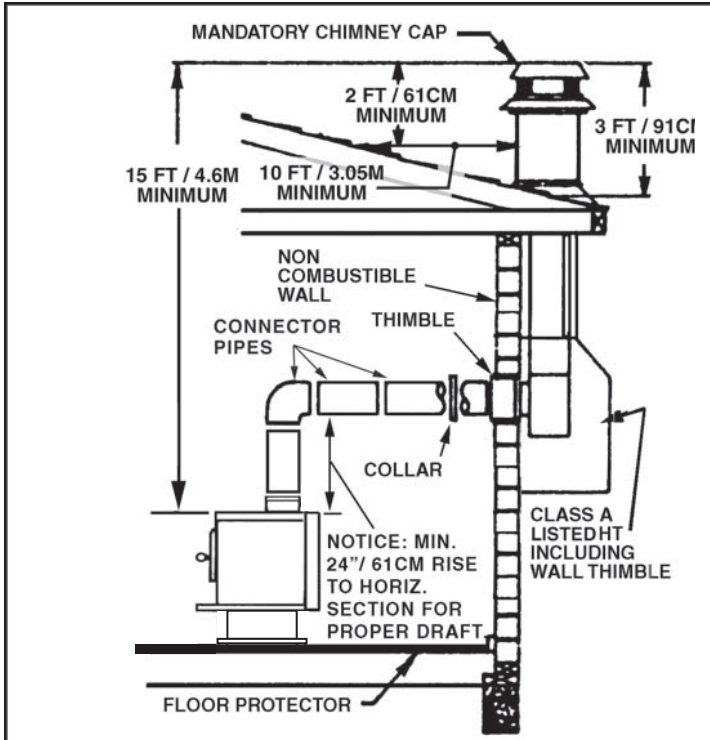


Figure 13
Manufactured Chimney through Masonry Wall

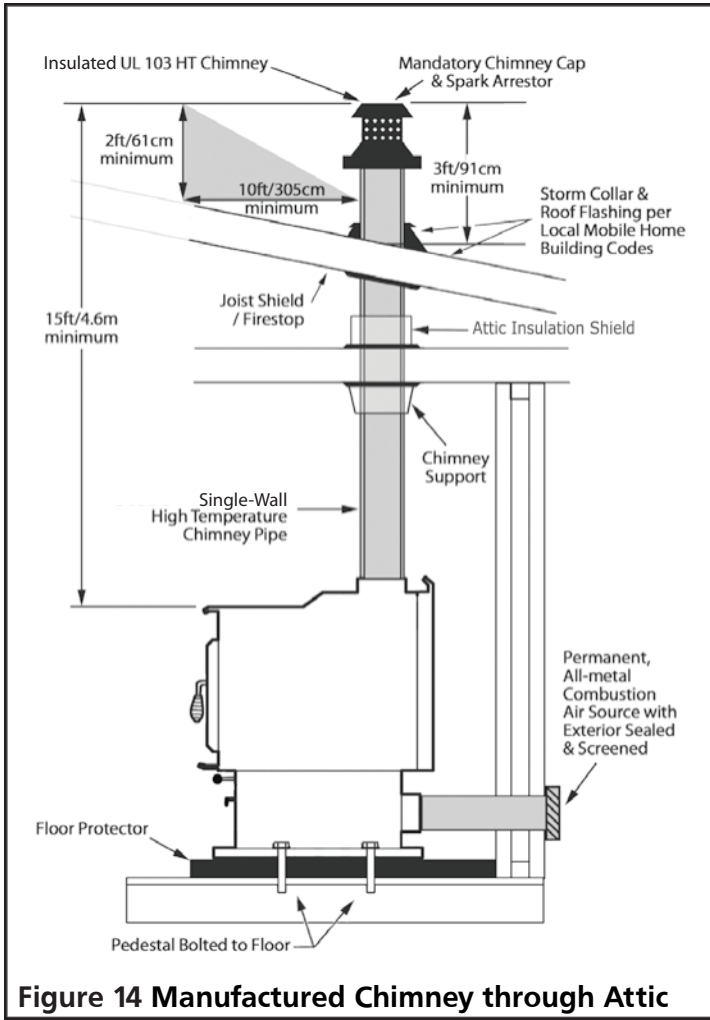


Figure 14
Manufactured Chimney through Attic

3. The stove pipe must enter the chimney at least 8 inches higher than the bottom of the chimney liner. The distance between the ceiling and the vent pipe edge closest to the ceiling must be at least 18 inches (46 cm).
4. Install a thimble into the created opening. The thimble must:
 - Be made of clay
 - Be at least 5/8 inch (16 mm) thick
 - Be oversized for stovepipe so that there is approximately a 1/2 inch (13 mm) air gap. This is a requirement so that the pipe can safely expand and contract as it warms and cools.
 - Be located so that it will be surrounded by either 12 inches (305 mm) or masonry brickwork or 24 inches (61 cm) of stone.
 - Be installed so that its butt is flush with the chimney lining (see Figure 11 page 10)
5. Secure the thimble with refractory mortar.
6. Install the stove pipe so that it is as far as possible into the thimble without protruding passed the flue lining (again, see Figure 11 page 10)
7. In order to maintain continuity of airtightness at the location where the chimney or other component penetrates the air barrier system, seal the airspace between the stove pipe and the thimble with either high temperature sealant or ceramic wool.
8. Using either high-temperature caulk, ceramic wool, or furnace cement secure and seal the throat damper and (if present) any clean out or other openings at the base of the chimney.

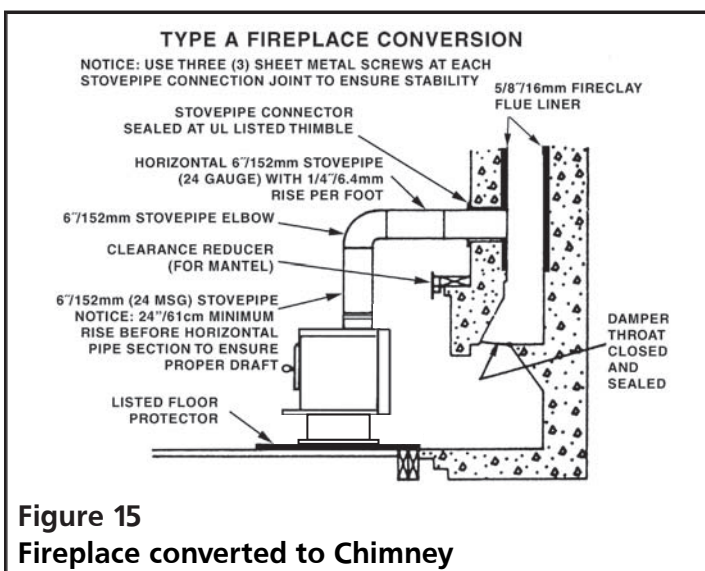


Figure 15
Fireplace converted to Chimney

VENTILATION

IMPORTANT: Make sure nothing is blocking the air movement around the stove so there is enough makeup air to allow the stove to operate correctly when an outside air kit is not used.

Air introduction to stove happens in three locations:

1. The Lower Primary Air Orifice (LPAO), behind the door.
2. The primary air inlet.
3. The secondary stage air tubes.

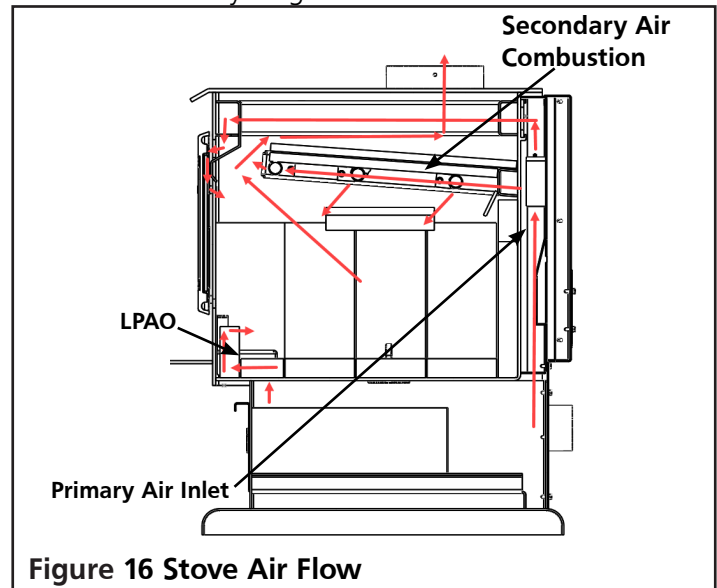


Figure 16 Stove Air Flow

- By pushing the air control (on the side of the stove) into the stove the primary air inlet hole at the back of the stove is closed.
- Pulling the primary air inlet air control away from the stove increases the size of the opening for air to enter the firebox.

In general, the further the air control is pulled out the hotter the stove will get. The best position for the air control will depend on the chimney specifications, weather, and fuel.

In order to find the best position for the air control in your installation, start a stove fire as this manual details. For 15 to 20 minutes have the air control pulled away from the stove to fully open the Primary Air Inlet. At the secondary air combustion (top of the firebox) you should be able to observe a secondary combustion taking place. Push the air control in towards the stove to the desired heat setting. If the secondary combustion disappears, restart it by pulling the air control away from the stove. Move the air control to the desired heat setting by gradually pushing it in and ensuring that secondary air combustion is still being supported. Secondary air combustion is important for maximizing the heat transfer from the stove to you and minimizing the amount of smoke which can condense within your chimney as creosote.

NOTE: SECONDARY COMBUSTION MINIMIZES, BUT DOES NOT ELIMINATE, CREOSOTE FORMATION AND BUILD UP IN CHIMNEY.

⚠ WARNING: Additional combustion air should be provided from the outdoors if these or other indications suggest that infiltration air is inadequate:

- **The solid-fuel-fired appliance does not draw steadily, experiences smoke roll-out, burns poorly, or back-drafts whether or not there is combustion present.**
- **Existing fuel-fired equipment in the house, such as fireplaces or other heating appliances, smell, do not operate properly, suffer smoke roll-out when opened, or back-draft, whether or not there is combustion present.**
- **Any of the above symptoms are alleviated by opening a window slightly on a calm (windless) day.**
- **The house is equipped with a well-sealed vapor barrier and tight fitting windows and/or has any powered devices which exhaust house air.**
- **There is excessive condensation on windows in the winter and**
- **A ventilation system is stalled in the house.**

CHIMNEY DRAFT CONSIDERATIONS

Draft is the force which moves air from the appliance up through the chimney. The amount of draft in your chimney depends on the length of the chimney, local geography, nearby obstructions and other factors. Too much draft may cause excessive temperatures in the appliance. Inadequate draft may cause backpuffing into the room and 'plugging' of the chimney. Inadequate draft will also cause the appliance to leak smoke into the room through appliance and chimney connector joints.

An uncontrollable burn or excessive temperature indicates excessive draft.

Please be mindful of installation location: Inversion and other air quality issues can arise in valleys or if unit is installed close to neighboring homes. To achieve and maintain the draft:

- After the fuel has burned out and you are finished with the stove, open the Primary Air Inlet all the way by pulling the air control away from the heater.
- Obey all chimney requirements, page 7 through page 12.

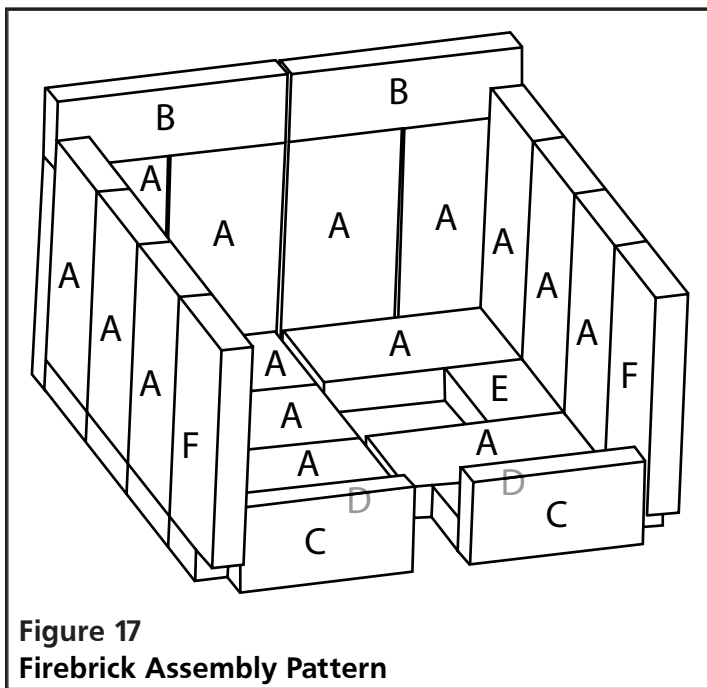
- Seal any and all connections of intake and exhaust piping.
- Avoid elbows and long horizontal runs of piping.
- Clean exhaust piping frequently.
- Warm the chimney up by building a large fire at the beginning of use of the stove. **DO NOT OVERFIRE THE STOVE. IT IS NEVER PERMITTED TO OVERFIRE THE STOVE.**
- If another appliance is venting air outside and creating a negative pressure, air can be sucked down your chimney in the reverse direction instead of exhausting out of the heater. Nullify that effect by opening a nearby door or window.

FIREBRICKS

Firebricks which line the firebox should already be installed in your wood burning stove. Inspect the firebricks inside your stove to ensure that they have not shifted or shattered during shipping or installation.

⚠ CAUTION: NEVER OPERATED STOVE WITHOUT FIREBRICKS IN PLACE AS SHOWN.

BEFORE FIRING, PUSH FIREBRICKS TOWARDS REAR OF THE STOVE. THERE SHOULD BE NO GAPS BETWEEN FIREBRICKS.



**Figure 17
Firebrick Assembly Pattern**

NOTE: WHEN REMOVING OR INSTALLING FIREBRICK BE SURE TO NOT DAMAGE THE FIREBRICKS.

- Once your wood-burning stove is properly installed, building an effective fire requires good firewood (using the correct wood in the correct amount) and good fire-building practices. The following section will help you obtain the best efficiency from your wood stove.

OPERATION

⚠ CAUTION: NEVER ATTEMPT TO USE ANY OF THE FOLLOWING MATERIALS AS FUEL.

- Unseasoned wood (green, wet, or freshly cut wood);
- Pressure treated wood;
- Paper products, cardboard, or particleboard;
- Salt water driftwood or other previously salt water saturated materials;
- Garbage;
- Animal remains or manures;
- Lawn clippings or yard waste;
- Waste petroleum products,
- Materials containing
 - asbestos
 - plastic
 - rubber (including tires)
- Petroleum products such as
 - paints
 - paint thinners
 - asphalt products

Burning these materials may result in release of toxic fumes or render the heater ineffective and cause smoke.

APPROVED FUEL:

⚠ CAUTION: BURN UNTREATED WOOD ONLY. OTHER MATERIALS SUCH AS WOOD PRESERVATIVES, METAL FOILS, COAL, PLASTIC, GARBAGE, SULPHUR, OR OIL, MAY DAMAGE THE STOVE.

Natural cordwood is the only fuel approved for use with these wood burning stoves. Abide by the specifications below:

- Hardwood that has been air dried (seasoned) for at least 1 year. Properly seasoned wood is darker, has cracks in the end grain, and sounds hollow when smacked against another piece of wood.
- The wood should be 16 inches (41 cm) long.
- If a log has a diameter larger than 6 inches the log should be split.
- The humidity content of the wood must be less than 19%-25% of the weight of the log.

- Newly-cut logs can have a moisture content (MC) of 80% or more, depending on species. Since wood shrinks, and can also split, twist or otherwise change shape as it dries, most wood is dried before being used. Air drying, or 'seasoning,' is the most common method used for cord wood. In most parts of the United States, the minimum moisture content that can be generally obtained in air drying is about 12 to 15 percent. Most air-dried material is usually closer to 20 percent moisture content when used.
- To test your firewood, simply push the pins into the wood and wait for a reading. Remember, don't just stick the meter into the ends of your firewood. To get the most accurate reading, split the wood and test the center. The center of the log will contain the most moisture.

⚠ CAUTION: Attempts to use wet or unseasoned wood will result in:

- **Ignition difficulty.**
- **Accelerated creosote build-up resulting in chimney fire.**
- **Incomplete combustion.**
- **Low heat yield.**
- **Blackening of the glass in door.**

Some fire starters may be used at the very beginning to help wood catch fire. Examples of potentially effective fire starters include paper wads, cardboard, saw dust, wax, and similar products marketed explicitly for the purpose of starting fires. Burning these materials may result in the release of toxic fumes, rendering the stove ineffective, and causing smoke. Research and understand the guidelines and risks for your chosen fire starter(s).

⚠ CAUTION: NEVER USE GASOLINE, GASOLINE-TYPE LANTERN FUEL, KEROSENE, CHARCOAL LIGHTER FLUID, OR SIMILAR LIQUIDS TO START OR 'FRESHEN UP' A FIRE IN THIS STOVE. KEEP ALL SUCH LIQUIDS WELL AWAY FROM THE STOVE WHILE IT IS IN USE.

Do not store fire wood or fire starting materials on floor protector, underneath stovepipe, or anywhere withing minimum clearances from combustible surfaces specified on page 5.

Wood should be stored in a dry, well ventilated area.

OPERATING PRECAUTIONS

⚠ CAUTION: A CHIMNEY FIRE MAY CAUSE IGNITION OF WALL STUDS OR RAFTERS WHICH WERE ASSUMED TO BE A SAFE DISTANCE FROM THE CHIMNEY. IF A CHIMNEY FIRE HAS OCCURRED, HAVE YOUR CHIMNEY INSPECTED BY A QUALIFIED EXPERT BEFORE USING AGAIN.

1. Inspect stovepipe at the start of the season and at least once every 60 days. Replace immediately if stovepipe is rusting or leaks smoke into room.
2. Use only the approved fuel.

⚠ WARNING: BURNING FUELS OTHER THAN CORDWOOD, PARTICULARLY COAL AND CHARCOAL, CAN RESULT IN HAZARDOUS CONCENTRATIONS OF CARBON MONOXIDE BEING EMITTED INTO THE DWELLING. FOR THESE REASONS, NEVER BURN COAL OR CHARCOAL IN THIS CORDWOOD STOVE. INSTALLING A CARBON MONOXIDE DETECTOR AND BEING AWARE OF THE SYMPTOMS OF CARBON MONOXIDE POISONING CAN HELP REDUCE THE RISK OF CARBON MONOXIDE RELATED ISSUES.

3. Inspect the glass door. **CAUTION:** Do not operate if the glass is cracked or broken. Never load fuel above firebrick height that would cause the stove to overfire.
4. Do not position fuel against the glass.

⚠ WARNING: THIS UNIT WAS DESIGNED FOR OPERATION ONLY WITH THE DOOR CLOSED AND TIGHTLY LATCHED. OPERATING THIS UNIT WITH THE DOOR LATCHED LOOSELY OR OPEN WILL ALLOW EXCESSIVE COMBUSTION AIR TO REACH THE FIRE AND WILL RESULT IN DANGEROUSLY HIGH UNIT TEMPERATURES. HIGH UNIT TEMPERATURES "OVERFIRING" CAN DAMAGE THE UNIT, VOID THE WARRANTY OR IGNITE CREOSOTE DEPOSITED IN THE CHIMNEY SYSTEM BY PREVIOUS, SLOW BURNING FIRES.

5. Do not obstruct the lower air inlet (bottom of the firebox by door) or the secondary air tubes (along the top of the firebox).

PAINT CURING

NOTE: BECAUSE OF HIGH OPERATING TEMPERATURES, THIS STOVE USES A SPECIAL HIGH-TEMPERATURE PAINT. TO ENABLE THE PAINT TO BOND DURABLY TO THE STOVE, FOLLOW THE FOLLOWING PROCEDURE:

1. Build a small fire in the stove for 20 minutes.
2. Build another small fire in the stove which lasts 20 minutes.
3. Build a final medium sized fire in the stove which lasts 20 minutes.

The paint curing process is now complete. Provide cross ventilation to eliminate odors or smoke cause by curing process.

HIGH FIRE WITH A COLD START

To start the fire from a "cold" stove:

1. Inspect that all seals on the door, ash drawer, and ash plug are in good condition. Close the ash drawer. Plug ash hole. Inspect the chimney and chimney connector, see maintenance on page 19.

⚠ CAUTION: DO NOT OPERATE STOVE IF THE GLASS IS BROKEN.

⚠ WARNING: THE CHIMNEY CONNECTOR MUST BE IN GOOD CONDITION AND BE KEPT CLEAN TO SAFELY USE THIS STOVE.

2. Cut and split approximately 15 kindling pieces 16 inches long. Half of them should be approximately 3/4 inch square, the rest 1/2 inch square. The kindling should be very dry and weigh approximately 3.2 lbs.

⚠ WARNING: DO NOT USE GRATE OR ELEVATE FIRE – BUILD WOOD FIRE DIRECTLY ON HEARTH. DO NOT OPERATE WITH THE MAIN DOOR OPEN – OPERATING THE STOVE WITH THE MAIN DOOR OPEN WILL CREATE AN OVER-FIRE.

- Cut and split approximately 15 start-up fuel pieces 16 inches long. Half of the pieces should be larger cross-section (approximately 1 ½ inches square) and the rest smaller cross-section (approximately 1 inch's square) weighing approximately 5.5 lbs. These can be split from larger fuel pieces that are in the range of 19-25% moisture (Dry-basis). The total weight of the start-up fuel should be approximately 8.7 lbs.

CAUTION: WHEN TENDING THE STOVE ALWAYS WEAR FIRE RETARDANT CLOTHING AND PROTECTIVE EYEWARE.

- Arrange the start-up fuel pieces in a grid as follows: Place two of the larger pieces close together going front to back. Next, two more pieces the same size left to right close together and towards the rear of the stove. Place about seven of the small pieces front to back on top of the grid. Place the remaining start up fuel sideways on top.
- Next arrange the kindling pieces in a similar alternation grid pattern with the larger pieces first followed by the smallest with a layer of three pieces going left to right as shown with six or seven pieces on the top. Be sure to keep the pieces close together and towards the rear of the stove stacking upwards. See Figure 18.



Figure 18

Start up fuel and kindling on top, start up fuel on the bottom, stacked in the fire box from largest cross-section on the bottom to smallest on the top.

WARNING: NEVER LEAVE A RUNNING STOVE UNATTENDED WHILE DOOR IS OPEN. THE DOOR MAY ONLY BE OPEN FOR FIRE STARTING AND FIRE TENDING. TO CLOSE: FIRMLY ROTATE DOOR HANDLE CLOCK WISE UNTIL THE DOOR IS SECURELY LATCHED. DO NOT SLAM THE DOOR.

- To start make sure the air control is pulled all the way out.
- Using a propane torch, light the top front of the kindling grid, just under the air tubes, between the middle and rear tubes. The torch should be operated for 60 seconds.
- Close the door after operating the torch.
- Make sure the air control is still in the maximum open position.
- Leave blower fan off for the kindling burn.

ADDING THE HIGH FIRE FUEL LOAD

- When the kindling and start up fuel have burned down by approximately 2/3, rake the remaining coals and fuel pieces forward until they are equally distributed and level.
- Place the largest fuel piece in the center of the firebox with two smaller pieces on the either side packed tightly together and making sure there is space on both sides of the load for good air flow.
- Place the remaining pieces on top of the bottom pieces packed tightly as well. All fuel pieces should be in a front- to-back orientation. Air control should be set to maximum open (all the way out).
- Close the door and after about 6 minutes of putting in the high load, turn the blower fan on high.

LOW FIRE FUELING AND OPERATION (LOADING ON COALS AFTER HIGH FIRE OPERATION)

1. At the end of the high fire (around 3.7lbs remaining), smash and rake the remaining coals forward until they are equally distributed and level across the firebox.
2. Place the three largest pieces in first, they should be close together with small gaps between. Place the remaining pieces on top of the first leaving gaps in the wood.
3. Immediately close the door and open the air control to maximum open (all the way out).
4. Leave the air control on the max setting for about 4 minutes. Then push the air control to the Medium setting (7mm out from fully closed) for 10 minutes before moving the air control to the lowest possible setting.
5. Approximately 30 minutes after loading the low, turn the blower fan on to the low setting.

MEDIUM FIRE FUELING AND OPERATION (LOADING ON COALS AFTER HIGH FIRE OPERATION)

1. At the end of the high fire (around 3.7lbs remaining), smash and rake the remaining coals forward until they are equally distributed and level across the firebox.
2. Place the three largest pieces in first, they should be close together with small gaps between. Place the remaining pieces on top of the first leaving gaps in the wood.
3. Immediately close the door and open the air control to maximum open (all the way out).
4. Leave the air control on the max setting for about 10 minutes. Then push the air control to the Medium setting (7mm out from fully closed) for the remainder of the burn.
5. Also, turn the blower fan on to low when the air shutter is set to Medium.

⚠ CAUTION: IF THE STOVE OR STOVE PIPE GLOWS RED THE UNIT IS OVERFIRING. CLOSE STOVE DOOR AND IMMEDIATELY SHUT AIR CONTROL (PUSH AIR CONTROL TO THE "IN" POSITION) TO REDUCE AIR SUPPLY AND SLOW DOWN COMBUSTION.

⚠ WARNING: IN CASE OF CHIMNEY FIRE:

- 1. CLOSE AIR INLET CONTROL BY PUSHING AIR CONTROL IN TOWARDS STOVE.**
- 2. GET OUT OF THE HOUSE OR BUILDING.**
- 3. CALL THE FIRE DEPARTMENT.**

MINIMIZING CREOSOTE FORMATION

See "MAINTENANCE" on page 18 for an explanation on Creosote formation and removal. To slow the build up of creosote within your chimney, comply with the following guidelines:

- Burn only the recommended fuel "APPROVED FUEL" on page 15.
- Do not mix green or wet wood with the approved fuel. Wood that does not ignite but instead hisses, sizzles, and blackens is definitely too wet. It will cause accelerated creosote build up in chimney and will also reduce the heat output of the stove.
- Only add to ½ the fuel capacity of the fire box at a time to ensure thorough combustion and temper the amount of smoke produced.
- Every time fuel is added, fully open the Primary Air Inlet by pulling the air control away from the stove.
- Periodically throughout the day, fully open the Primary Air Inlet by pulling the air control away from the stove for a few minutes. This will help keep the chimney at a warm temperature and subsequently reduce the condensation of creosote.

DISPOSAL OF ASHES

Whenever ash accumulates within the fire box or ash pan to a height of 3-4 inches:

1. After ashes have cooled, remove ash plug and carefully sweep ashes down into the ash bin.
2. Replace ash plug, remove ash bin, and empty into a suitable container.
NOTE: You may also purchase a Ash Vacuum, model# AV65GALB/AV65GALSS.
3. Ashes should be placed in a metal container with a tight fitting lid and moved outdoors immediately. The closed container of ashes should be placed on a noncombustible floor or on the ground, well away from all combustible materials, pending final disposal. If the ashes are disposed of by burial in soil or otherwise locally dispersed, they should be retained in the closed container until all cinders have thoroughly cooled.
4. Other waste shall not be placed in ash containers.

MAINTENANCE

DAILY MAINTENANCE

- Inspect the firebox for ash accumulation; remove excess ash and follow instructions below regarding disposal.

MONTHLY MAINTENANCE

- Check the blower for dust accumulation (if installed); check the door handle for proper operation and to be certain an airtight seal is still being made by the door.
- Inspect the chimney system and chimney connector and sweep if necessary. Although cleaning may be required less than monthly, ALWAYS inspect the venting system monthly to decrease the chance of a chimney fire.

- Visually inspect the ceramic fiberboards in the firebox for cracks and/or breakage. Slight surface cracks will not affect the performance of the boards, but cracked or crumbling boards should be replaced immediately.
- Visually inspect the secondary combustion pipes for cracks, warping and corrosion. Although these tubes are constructed from stainless steel, they operate at very high temperatures and can eventually wear out from normal use.

YEARLY MAINTENANCE

- Check all gaskets (window and door) for wear and to be certain they still maintain an airtight seal. See the following page for instructions.
- Thoroughly clean the chimney system and the chimney connector system. Since the chimney connector is generally exposed to high exhaust temperatures, inspect it carefully for leaks and weak spots; replace any questionable pieces. In the case of straight through the roof chimney system, be certain to remove the ceramic fiberboards before pushing the chimney sweeping brush down into the firebox. Forcefully hitting the top of the board with a cleaning brush or rod can damage or destroy the boards.
- Remove all ash from the stove. Leave the air control open during the non-heating months to allow some air to flow through the stove to help prevent corrosion.

⚠ WARNING: DO NOT ATTEMPT TO CLEAN OR SERVICE WHILE THE STOVE IS HOT. BEFORE OPENING THE STOVE DOOR FOR ANY TYPE OF SERVICE, BE SURE THAT THE STOVE IS COOL AND THAT THE BLOWER IS UNPLUGGED.

⚠ WARNING: USE ONLY MANUFACTURER'S REPLACEMENT PARTS. USE OF ANY OTHER PARTS COULD CAUSE INJURY OR DEATH.

CREOSOTE - FORMATION AND NEED FOR REMOVAL

Failure to remove creosote may result in a dangerous chimney fire.

When wood is burned slowly, it produces tar and other organic vapors, which combine with expelled moisture to form creosote. The creosote vapors condense in the relatively cool chimney flue of a slow-burning fire. As a result, creosote residue accumulates on the flue lining. When ignited this creosote makes an extremely hot fire. The chimney connector and chimney should be inspected at least once every two months during the heating season to determine if a creosote buildup has occurred. If a significant layer of creosote has accumulated (eighth of an inch, 3 mm, or more) it should be removed to reduce the risk of a chimney fire.

Establish a routine for the fuel, wood burner and firing technique. Check daily for creosote build-up until experience shows how often you need to clean to be safe. Be aware that the hotter the fire the less creosote is deposited, and weekly cleaning may be necessary in mild weather even though monthly cleaning may be enough in the coldest months. Contact your local municipal or provincial fire authority for information on how to handle a chimney fire. Have a clearly understood plan to handle a chimney fire.

CLEANING GLASS

Be certain the stove and the glass are completely cool. The build-up on the glass will generally be light and water is normally sufficient to remove the deposits. If stubborn soot persists, use a cleaner made specifically for this purpose. Rinse the glass with clean water and dry the glass before resuming normal operation. These cleanings help prevent the accumulation of acidic ash build up which can weaken the glass and result in cracks. It is not acceptable to operate the stove with cracked or broken glass.

⚠ WARNING: DO NOT CLEAN GLASS WITH ABRASIVE CLEANERS OR BY ANY OTHER PROCESS WHICH MAY SCRATCH OR DAMAGE THE GLASS. DO NOT CLEAN WHEN HOT!

REPLACING GLASS

⚠ WARNING: DO NOT ABUSE THE GLASS DOOR BY STRIKING IT OR SLAMMING THE DOOR SHUT.

Replace the door glass only with 5 mm high-temperature ceramic single-pane glass. The glass size is 15 in.(381 mm) x 11.25 in.(285.75 mm). DO NOT use substitute materials! Never replace ceramic glass with tempered or any other type of glass. Contact the manufacturer for more information on ordering factory original or equivalent parts.

1. Remove the door from the stove and rest it face down on a firm work surface.
2. Using a 5/16" wrench, remove the ten window bracket retaining screws.
3. Remove the four window tabs from the door. Take extra care to avoid shards of glass if the glass window has been broken.
4. Lift the old glass panel out of the door and discard.
5. The glass panel must be wrapped with a self-adhesive fiberglass rope gasket. If you purchased a new glass, it will come already wrapped. If reusing the same piece of glass, remove old gasket, scrape off old adhesive and wrapped with the new gasket. This gasket serves to cushion the glass from the cast iron door.
6. Reinstall the window retaining tabs using the ten screws previously removed. Do not over-tighten the screws.

REMOVING DAMAGED GASKETS

Over time the sealing gaskets along the glass (3mm x 16mm flat, fiberglass rope) and door (9/16" dia. fiberglass rope) may lose their rigidity. These seals are essential for providing a seal which allows the stove to operate safely. Inspect the gaskets periodically, and if they become worn contact the manufacturer for information on original or equivalent gasket.

To replace the gasket:

1. Ensure that all coals and fuel are extinguished and that the stove is cool to the touch.
2. Remove old gasket and clean the gasket gutter.
3. Apply a thin coat of high temperature gasket cement along the inside of the gasket gutter.
4. Press the beginning of the replacement gasket into the most up and most left position of the prepared gasket gutter.

- Continue pressing the replacement gasket clockwise along the gasket gutter until it has wrapped back to where the gasket was pressed in initially.
- Trim any excess replacement gasket away, and press the remaining butt into the gutter to complete the seal.
- Close the door, drawer, or ash plunger and allow 3 to 4 hours for the cement to set before operating the stove.

Replacing Air Tubes

NOTE: HANDLE THE FRONT AIR TUBE DELICATELY TO AVOID DAMAGING IT OR DAMAGING THE STOVE ITSELF.

- Use a 5/16" open end or socket wrench to remove the screw securing the air tube.
- Remove the air tube by sliding it into the space to the right, followed by sliding the tube left and partially forward, and finally remove the tube by sliding to the right and out of the firebox. Overall this pattern looks like the letter Z. See Figure 19.



Figure 19 Front Air Tube Removal

- Installation of the same, or a replacement, front air tube is step 1 done in reverse. The other air tubes may be removed and replaced by the same manner.

CERAMIC FIBERBOARD REPLACEMENT

To replace a cracked or broken board, first remove the front burner tube as described above. Then tilt the front of the board down and slide out the board you need to replace. Install the new board (the two boards should sit flush on the tubes side by side). Replace the tube previously removed.

To replace the ceramic blanket, follow the previous steps to remove the ceramic boards, then pull out the blanket. Replace with new blanket following the previous steps in reverse order.

BLOWER CLEANING

To remove debris such as dust and dirt, lightly vacuum the outside of the enclosure of the 120 Volt / 60 Hz / 0.26 Amp blower. Be sure that the motor is unplugged before vacuuming, or before performing any other stove maintenance.

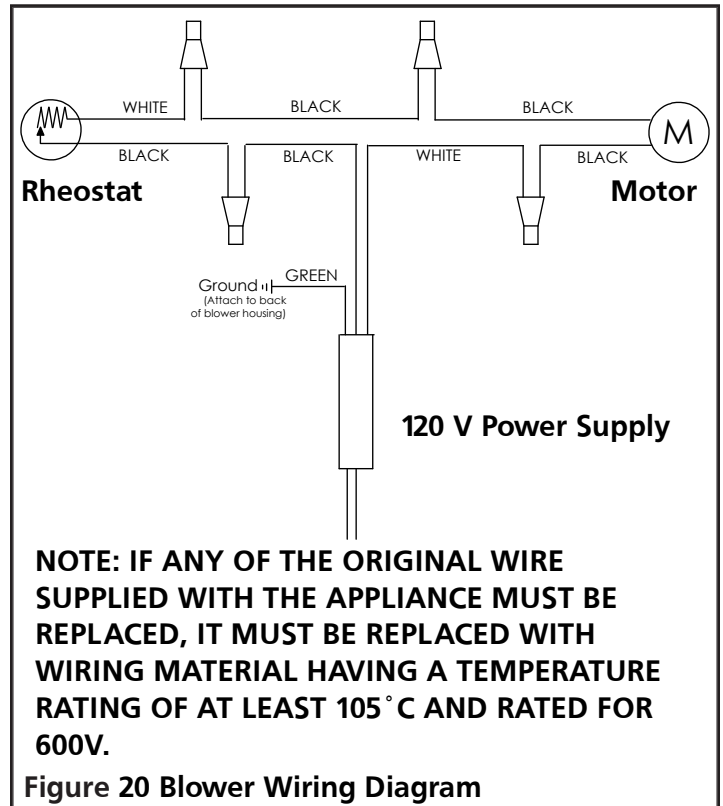


Figure 20 Blower Wiring Diagram

DOOR LATCH

When opening and closing the door repeatedly it is possible to unintentionally move the door handle thread so that the door no longer latches shut. If this happens, open the door and inspect the position of the door handle thread. Adjust the door handle until it is possible to close and seal the door tightly with the latch by rotating the handle counterclockwise.

- Rotate the door handle clockwise to extend the latch further into the firebox to allow the door latch to catch the inside frame of the stove.
- Rotate the door handle counterclockwise to decrease the distance between the latch and the stove.



Figure 21 Door Handle Latch Gap

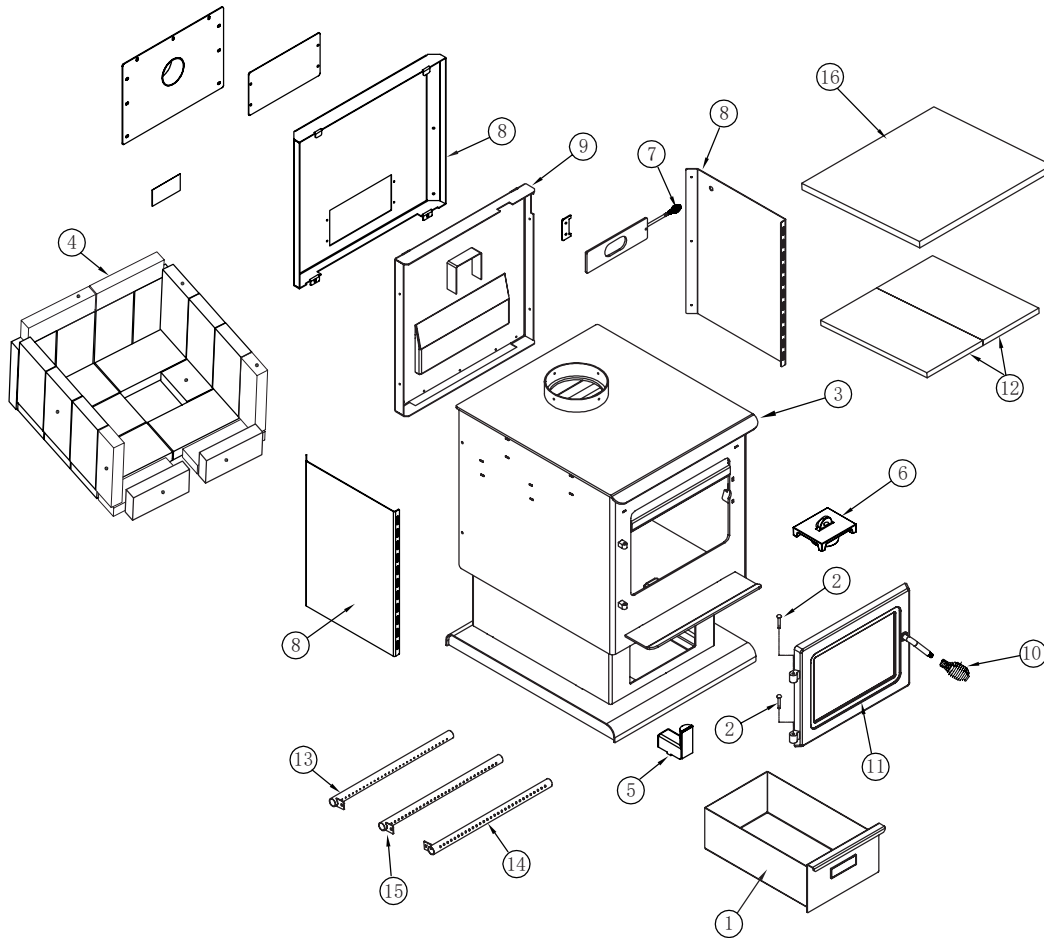
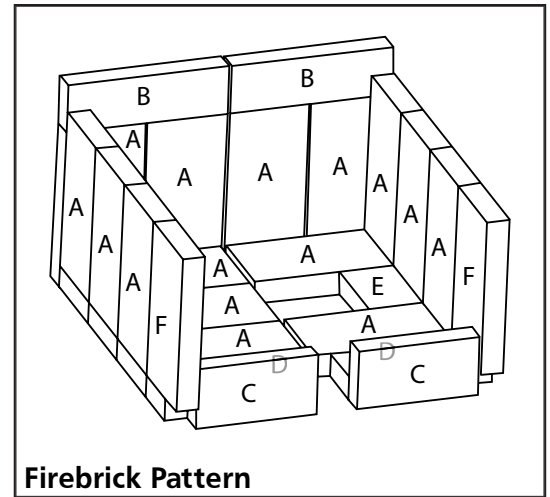
TROUBLESHOOTING

SYMPTOM	CAUSE	SOLUTION
Stove smokes into room	Weak Draft.	Be certain chimney is sufficiently tall. Refer to Chimney Requirements on Page 10. If necessary, add additional height to chimney.
	Negative Pressure in the Home.	Add an outside combustion air hookup to the unit.
Fire is difficult to start	Weak Draft.	Be certain chimney is sufficiently tall. Refer to Chimney Requirements on Page 10. If necessary, add additional height to chimney.
	Cold Chimney	Heat the flue by burning crumbled newspaper in the stove.
		Install an insulated chase around external chimney.
	Downdraft in Chimney	Be certain chimney is sufficiently tall. Refer to Chimney Requirements on Page 10.
Try heating the flue with a hair dryer to correct the draft.		
Glass is dirty	Wet or Green Wood.	Only burn wood that is seasoned for at least one year and that is dry and free of ice and snow..
	Operating Stove at Low Burn Rate.	Operate the stove at higher burn rates to help keep the glass clean.
	Wood Loaded too Close to Glass.	Never load wood so that it is touching the glass viewing window.
Coals build up in firebox	Operating Stove at High Burn Rates.	Reduce combustion air control and allow coals to burn down before reloading.
Fire burns out of control	Excessive Draft.	Reduce chimney height.
	Air Leakage.	Inspect window and door gaskets and replace if necessary.
	Burning Excessively Dry Wood.	Only burn seasoned cord wood. Do not burn kiln dried or pallet wood.
Excessive smoke from stack	Operating Stove at Low Burn Rate.	Operate the stove at a higher burn rate which will create secondary combustion.
	Wet or Green Wood.	Only burn wood that is seasoned for at least one year and that is dry and free of ice and snow.
	Not Charring Fresh Wood Load	Char the fresh wood load until it is completely ignited and active secondary combustion is present in the firebox.

SERVICE PARTS MODEL T100

NOTE: Not all parts available. For questions contact Manufacturer.

ITEM NO.	PART NUM.	BRICK SIZE
A	66710	9" x 4.5" x 1.25"
B	66822	9" x 2.5" x 1.25"
C	66823	6.75" x 3.25" x 1.25"
D	66914	8" x 2.5" x 1.25"
E	66824	4.5" x 4.25" x 1.25"
F	66825	9" x 2.75" x 1.25"



⚠ WARNING: Failure to position the parts in accordance with these diagrams or failure to use only parts specifically approved with this stove may result in property damage or personal injury.

ITEM NO.	PART NUM.	DESCRIPTION
1	66851	Ash Pan
2	66852	Door Pin
3	N/A	Main Housing
4	*	Fire Bricks - See Table Above
5	N/A	Igniter
6	66715	Ash Plug
7	66853	Flue Spring Handle
8	N/A	Back Panel & Heat Shields

ITEM NO.	PART NUM.	DESCRIPTION
9	N/A	Blower Panel
10	66836	Spring Handle
11	66624	Door
12	66717	Ceramic Board
13	66718	Rear Air Tube
14	66719	Front Air Tube
15	66720	Middle Air Tube
16	66721	Ceramic Blanket

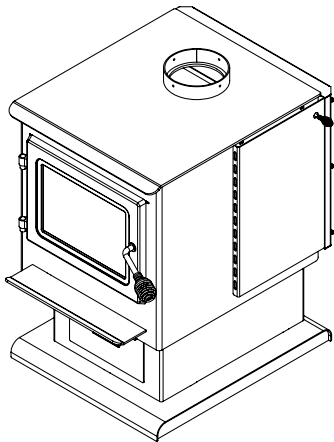


OPERATING INSTRUCTIONS AND OWNER'S MANUAL

Model #

T100

READ INSTRUCTIONS CAREFULLY: YOUR SAFETY IS IMPORTANT TO YOU AND TO OTHERS. Read and follow all instructions. Place instructions in a safe place for future reference. Do not allow anyone who has not read these instructions to assemble, light, adjust or operate the stove.



WARNING:

USE ONLY MANUFACTURER'S REPLACEMENT PARTS. USE OF ANY OTHER PARTS COULD CAUSE INJURY OR DEATH. REPLACEMENT PARTS ARE ONLY AVAILABLE DIRECT FROM THE FACTORY AND MUST BE INSTALLED BY A QUALIFIED SERVICE AGENCY.

PARTS ORDERING INFORMATION:

PURCHASING: ACCESSORIES MAY BE PURCHASED AT ANY GRAND TETON LOCAL DEALER OR DIRECT FROM THE FACTORY.

FOR INFORMATION REGARDING SERVICE:

Please call Toll-Free 1-866-740-2497/1-800-251-0001 • Weekends/After Hours 423-488-6316 • grandtetoncollection.com

Our office hours are 8:00 AM – 5:00 PM, EST, Monday through Friday.

Please include the model number, date of purchase, and description of problem in all communication.

LIMITED WARRANTY:

The company warrants this product (excluding firebricks) to be free from imperfections in material or workmanship, under normal and proper use in accordance with instructions of The Company, for a period of 5 years from the date of delivery to the buyer. The Company, at its option, will repair or replace products returned by the buyer to the factory, transportation prepaid within said five year period and found by the Company to have imperfections in material or workmanship.

If a part is damaged or missing, call our Technical Support Department at 1-866-740-2497/1-800-251-0001.

Address any Warranty Claims to the Service Department, Enerco Group, Inc., 4560 W. 160TH ST., CLEVELAND, OHIO 44135. Include your name, address and telephone number and include details concerning the claim. Also, supply us with the purchase date and the name and address of the dealer from whom you purchased our product.

The foregoing is the full extent of the responsibility of the Company. There are no other warranties, express or implied. Specifically there is no warranty of fitness for a particular purpose and there is no warranty of merchantability. In no event shall the Company be liable for delay caused by imperfections, for consequential damages, or for any charges of the expense of any nature incurred without its written consent. The cost of repair or replacement shall be the exclusive remedy for any breach of warranty. There is no warranty against infringement of the like and no implied warranty arising from course of dealing or usage of trade. This warranty will not apply to any product which has been repaired or altered outside of the factory in any respect which in our judgment affects its condition or operation.

Some states do not allow the exclusion or limitation of incidental or consequential damages, so the above limitation or exclusion may not apply to you. This Warranty gives you specific legal rights, and you may have other rights which vary from state to state.

Enerco Group, Inc. reserves the right to make changes at any time, without notice or obligation, in colors, specifications, accessories, materials and models.

Enerco Group, Inc., 4560 W. 160TH ST., CLEVELAND, OHIO 44135 • 1-866-740-2497/1-800-251-0001
© 2023, Enerco Group. All rights reserved



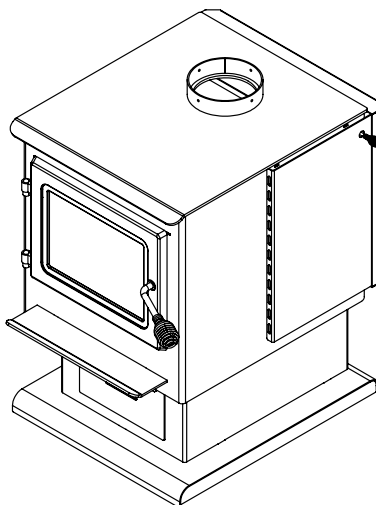
MODE D'EMPLOI ET GUIDE DU PROPRIÉTAIRE

N° de modèle

T100

LISEZ CES INSTRUCTIONS ATTENTIVEMENT : VOTRE SÉCURITÉ, ET CELLE DES AUTRES, EST IMPORTANTE. Lisez et observez toutes les instructions. Placez le mode d'emploi dans un endroit sûr pour pouvoir le consulter plus tard. Ne laissez personne n'ayant pas lu ce mode d'emploi assembler, allumer, ajuster ou faire fonctionner ce poêle.

POÊLE À BOIS TARGHEE



LES SPÉCIFICATIONS ET L'APPARENCE DU PRODUIT PEUVENT ÊTRE MODIFIÉES SANS PRÉAVIS. L'IMAGE DU PRODUIT PEUT NE PAS ÊTRE PRÉCISE.

L'AUTORITÉ DÉTENANT LA COMPÉTENCE NÉCESSAIRE (COMME LE SERVICE MUNICIPAL DU BÂTIMENT, LE SERVICE DE POMPIERS, LE BUREAU DE PRÉVENTION DES INCENDIES, ETC.) DOIT ÊTRE CONSULTÉE AVANT L'INSTALLATION POUR DÉTERMINER SI UN PERMIS SERA REQUIS. OBSERVEZ TOUS LES CODES DU BÂTIMENT DE VOTRE RÉGION.

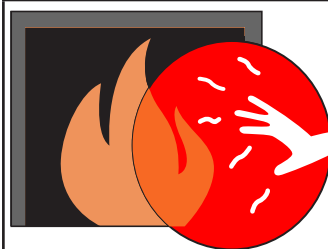
⚠️ AVERTISSEMENT : EN CAS DE FEU DE CHEMINÉE :

1. FERMEZ L'ENTRÉE D'AIR EN POUSSANT LA TIGE DE COMMANDE D'AIR VERS LE POÊLE.
2. SORTEZ DE LA MAISON OU DU BÂTIMENT.
3. APPELEZ LE SERVICE DE POMPIERS.

⚠️ **MISE EN GARDE** : UN FEU DE CHEMINÉE PEUT PROVOQUER L'ALLUMAGE DES POTEAUX MURAUX OU DES POUTRES QUI SEMBLent À DISTANCE SÛRE DE LA CHEMINÉE. SI UN FEU DE CHEMINÉE EST SURVENU, FAITES INSPECTER LA CHEMINÉE PAR UN SPÉCIALISTE AVANT DE L'UTILISER DE NOUVEAU.



DANGER



LE VERRE CHAUD CAUSE DES BRÛLURES.

NE TOUCHEZ PAS LE VERRE AVANT QU'IL SOIT REFOIDI.

NE LAISSEZ JAMAIS LES ENFANTS TOUCHER LE VERRE.

- À cause de températures élevées en surface, cet appareil devrait être installé à distance appropriée de tout matériau combustible. Conformez-vous aux distances de dégagement des matériaux combustibles; consultez la page 5.
- Le poêle assemblé doit être raccordé à un conduit évacué à l'extérieur en vertu des directives de la région; consultez Exigences et directives d'installation, pages 6 à 12.
- N'utilisez le poêle qu'avec le combustible permis; consultez la page 14. **NE FAITES JAMAIS BRÛLER DE DÉCHETS.**

CE POËLE A UN TAUX DE COMBUSTION MINIMUM RÉGLÉ PAR LE FABRICANT NE DEVANT PAS ÊTRE MODIFIÉ. LA MODIFICATION DE CE RÉGLAGE OU LE FONCTIONNEMENT DE CE DISPOSITIF DE CHAUFFAGE À BOIS DE FAÇON NON CONFORME AUX INSTRUCTIONS DANS CE MANUEL VONT À L'ENCONTRE DES RÈGLEMENTS FÉDÉRAUX.

AVERTISSEMENT SUR LES DANGERS GÉNÉRAUX :

- ⚠ UN MANQUEMENT DE SE CONFORMER AUX PRÉCAUTIONS ET INSTRUCTIONS FOURNIES AVEC CE POËLE PEUT PROVOQUER LA MORT, DES BLESSURES GRAVES ET LA PERTE OU LE DOMMAGE AUX BIENS CAUSÉS PAR LE FEU, L'EXPLOSION, LES BRÛLURES, L'ASPHYXIE, L'INTOXICATION AU MONOXYDE DE CARBONE ET/OU LA DÉCHARGE ÉLECTRIQUE.
- ⚠ SEULES LES PERSONNES AYANT COMPRIS ET OBSERVÉ LES INSTRUCTIONS PEUVENT UTILISER OU ENTREtenir CE POËLE.
- ⚠ SI VOUS AVEZ BESOIN D'AIDE OU D'INFORMATION AU SUJET DU POËLE, COMME UN MANUEL D'INSTRUCTIONS, DES ÉTIQUETTES, ETC., CONTACTEZ LE FABRICANT.

MISE EN GARDE :

- ⚠ SI LE POËLE OU LE RACCORD DE CHEMINÉE RELUIT EN ROUGE, L'APPAREIL SURCHAUFFE. FERMEZ LA PORTE DU POËLE ET FERMEZ IMMÉDIATEMENT TOUTES LES COMMANDES D'AIR (PRESSEZ LA TIGE DE COMMANDE D'AIR EN POSITION ENTRÉE) POUR RÉDUIRE L'APPROVISIONNEMENT EN AIR ET RALENTIR LA COMBUSTION.

MISE EN GARDE :

- ⚠ NE RELIEZ JAMAIS UN POËLE À BOIS À UN CONDUIT DE GAZ DE TYPE B EN ALUMINIUM. N'utilisez que les systèmes de sortie d'air indiqués dans ces instructions.

AVERTISSEMENT :

- ⚠ DANGER D'INCENDIE, DE BRÛLURE, D'INHALATION ET D'EXPLOSION. GARDER LES MATÉRIAUX COMBUSTIBLES SOLIDES, COMME LES MATÉRIAUX DE CONSTRUCTION, LE PAPIER OU LE CARTON, À UNE DISTANCE SÛRE DU POËLE. COMME LE RECOMMANDE CE MODE D'EMPLOI, NE PAS UTILISER LE POËLE DANS DES ENDROITS CONTENANT OU POUVANT CONTENIR DES SUBSTANCES COMBUSTIBLES VOLATILES OU SUSPENDUES DANS L'AIR OU ENCORE DES PRODUITS COMME L'ESSENCE, LES SOLVANTS, LE DILUANT À PEINTURE, LES PARTICULES DE POUSSIÈRE OU LES PRODUITS CHIMIQUES INCONNUS.

- ⚠ **AVERTISSEMENT :** Ce produit peut vous exposer à des produits chimiques, dont le plomb et les composés de plomb, connus par l'état de la Californie pour causer le cancer, des malformations congénitales ou autres anomalies de la reproduction. Pour plus d'information, rendez-vous à WWW.P65Warnings.CA.GOV

MISE EN GARDE :

- ⚠ UN TIRAGE DE 0,05 À 0,06 POUCE DE PRESSION NÉGATIVE DE COLONNE D'EAU DANS LA CHEMINÉE EST NÉCESSAIRE POUR QUE CE POËLE BRÛLE CORRECTEMENT. LES AUTRES APPAREILS, LES FACTEURS ENVIRONNEMENTAUX, LA TEMPÉRATURE DE LA CHEMINÉE ET L'INSTALLATION DE LA CHEMINÉE PEUVENT TOUS AFFECTER ET MODIFIER LE TIRAGE. SOYEZ ATTENTIFS AU FONCTIONNEMENT DE VOTRE POËLE.

Table des matières

SPÉCIFICATIONS.....	3	EXIGENCES POUR LA CHEMINÉE.....	10
CONSIGNES DE SÉCURITÉ.....	4	VENTILATION.....	13
DÉGAGEMENT DES COMBUSTIBLES.....	5	FONCTIONNEMENT.....	14
INSTALLATION.....	6	ENTRETIEN.....	18
EXIGENCES ET INSTALLATION DES RACCORDS DE CHEMINÉE.....	7	DÉPANNAGE.....	21
EXIGENCES SUPPLÉMENTAIRES POUR MAISONS MOBILES.....	9	PIÈCES DE SERVICE.....	22

SPÉCIFICATIONS

N° de modèle	T100
	DIMENSIONS
Dimensions du poêle LargXLongXHaut [po (cm)]	20 x 28,75 x 31 (50,8 x 73 x 78,7)
Collet de conduit	6,0 po, rond
	SPÉCIFICATIONS DE FONCTIONNEMENT
Combustible	Bois
Durée de combustion maximale (min)*	455
	SPÉCIFICATIONS EPA ET DE CONFORMITÉ POUR LA SÉCURITÉ
Conformité EPA**	Homologué
Gamme de production de chaleur (BTU/HR)	15,447 à 48,573
Émissions de particules (g/h)	1,84
Efficacité globale moyenne (HHV)	73% (1)(2)
Efficacité globale moyenne (LHV)	78% (1)(3)
Efficacité optimale (LHV)	78% (3)(4)
Énergie de transfert optimal de chaleur (HHV)	76% (2)(4)(5)
Testé selon	UL-1482-11 7 ^e Édition Norme sur les radiateurs de type combustible solide
	ULC S627-21 Norme sur les appareils de chauffage à combustibles solides

* Les durées de combustion maximales varient largement selon le type de bois brûlé dans le poêle. Ces chiffres peuvent donc varier.

** Homologué par l'*U.S. ENVIRONMENTAL PROTECTION AGENCY* pour la conformité aux normes 2020 d'émissions de particules en employant du bois de corde.

Référence concernant l'efficacité d'un poêle à bois :

1. Mesurée conformément à la norme CSA B415.1-10
2. La valeur la plus élevée de chauffage du carburant
3. La valeur la plus faible de chauffage du carburant
4. Un faible taux de combustion et un temps accru de combustion
5. L'efficacité du transfert de chaleur représente la capacité de l'appareil à convertir l'énergie contenue dans les carburants solides en énergie transférée dans la pièce sous forme de chaleur, et elle ne prend pas en compte les pertes chimiques pendant la combustion.

VEUILLEZ LIRE CE MANUEL AU COMPLET AVANT D'INSTALLER ET D'UTILISER VOTRE NOUVEAU POÊLE. UN MANQUEMENT DE SUIVRE LES INSTRUCTIONS PEUT PROVOQUER DES DOMMAGES AUX BIENS, DES BLESSURES, OU MÊME LA MORT.

POUR BIEN FONCTIONNER, CE DISPOSITIF DE CHAUFFAGE À BOIS EXIGE D'ÊTRE INSPECTÉ ET RÉPARÉ PÉRIODIQUEMENT. LE FONCTIONNEMENT DE CE DISPOSITIF DE CHAUFFAGE À BOIS DE FAÇON NON CONFORME AUX INSTRUCTIONS D'UTILISATION DANS CE MANUEL VA À L'ENCONTRE DES RÈGLEMENTATIONS FÉDÉRALES.

CONSIGNES DE SÉCURITÉ

ÉTABLISSEZ UN PLAN DÉCRIVANT CE QUE VOUS DEVEZ FAIRE EN CAS D'INCENDIE. CONTACTEZ VOS AUTORITÉS LOCALES EN MATIÈRE D'INCENDIE POUR OBTENIR PLUS D'INFORMATION ET POUR PRÉVOIR QUOI FAIRE EN CAS DE FEU DE CHEMINÉE.

⚠ AVERTISSEMENT : POUR L'INSTALLATION DANS UNE MAISON MOBILE, N'INSTALLEZ PAS LE POÊLE DANS UNE CHAMBRE À COUCHER. OBSERVEZ TOUTES LES AUTRES EXIGENCES SUPPLÉMENTAIRES. CONSULTEZ LA PAGE 9.

⚠ MISE EN GARDE : NE RELIEZ PAS LE POÊLE À DES CONDUITS DE DISTRIBUTION D'AIR ET NE L'UTILISEZ PAS EN CONJONCTION AVEC CEUX-CI, À MOINS D'AVOIR OBTENU UNE AUTORISATION SPÉCIALE POUR UNE TELLE INSTALLATION.

⚠ MISE EN GARDE : N'UTILISEZ JAMAIS DE PRODUITS CHIMIQUES OU DE LIQUIDES POUR ALLUMER LE FEU.

⚠ MISE EN GARDE : NE BRÛLEZ PAS DE DÉCHETS OU DE LIQUIDES INFLAMMABLES COMME L'ESSENCE, LE NAPHTALÈNE OU L'HUILE MOTEUR.

⚠ MISE EN GARDE : CHAUD PENDANT LE FONCTIONNEMENT. GARDER LES ENFANTS, LES VÊTEMENTS ET LES MEUBLES LOIN DE L'APPAREIL. LE CONTACT PEUT CAUSER DES BRÛLURES À LA PEAU.

⚠ MISE EN GARDE : NE RANGEZ PAS DE VAPEURS, LIQUIDES OU CARBURANTS SOLIDES INFLAMMABLES À PROXIMITÉ DU POÊLE, PRÈS DES SOURCES D'ÉLECTRICITÉ OU PRÈS DES SITES D'ÉLIMINATION DES CENDRES.

⚠ MISE EN GARDE : CE POÊLE N'A ÉTÉ TESTÉ QU'AVEC DES FEUX DIRECTEMENT ALLUMÉS SUR LES BRIQUES RÉFRACTAIRES INSTALLÉES AU FOND DE LA CHAMBRE DE COMBUSTION. N'UTILISEZ AUCUN ACCESSOIRE POUR ÉLEVER LE FEU.

⚠ AVERTISSEMENT : NE LAISSEZ JAMAIS LE POÊLE FONCTIONNER SANS SURVEILLANCE SI SA PORTE EST OUVERTE. LA PORTE NE DOIT ÊTRE OUVERTE QUE POUR ALLUMER LE FEU ET ENTREtenir LE FEU. POUR LA FERMER : FAITES PIVOTER FERMEMENT LA POIGNÉE DE LA PORTE DANS LE SENS DES AIGUILLES D'UNE MONTRE JUSQU'À CE QUE LA PORTE SOIT BIEN VERROUILLÉE.

⚠ AVERTISSEMENT : NE LAISSEZ JAMAIS LES ENFANTS SANS SURVEILLANCE À PROXIMITÉ DU POÊLE PENDANT QUE CELUI-CI EST EN MARCHÉ.

⚠ AVERTISSEMENT : AUTREMENT QU'AVEC LA COMMANDE D'AIR DÉSIGNÉE, LA TIGE DE COMMANDE D'AIR POUR L'ENTRÉE D'AIR PRINCIPALE, NE MODIFIEZ PAS L'APPROVISIONNEMENT EN AIR DANS LA CHEMINÉE OU DANS UN CONDUIT D'ENTRÉE POUR TENTER DE HAUSSER LE TAUX DE COMBUSTION.

MONOXYDE DE CARBONE

AVERTISSEMENT :

⚠ LORSQU'IL EST UTILISÉ SANS SUFFISAMMENT D'AIR DE COMBUSTION ET DE VENTILATION OU AVEC DES COMBUSTIBLES INTERDITS, CE POÊLE PEUT PRODUIRE UN EXCÈS DE MONOXYDE DE CARBONE, QUI EST UN GAZ SANS ODEUR DANGEREUX.

AVERTISSEMENT :

⚠ LES SIGNES PRÉCOCES DE L'INTOXICATION AU MONOXYDE DE CARBONE RESSEMBLENT AUX SYMPTÔMES DE LA GRIPPE, AVEC MAUX DE TÊTE, ÉTOURDISSEMENTS OU NAUSÉE. SI VOUS RESSENTEZ CES SYMPTÔMES, IL EST POSSIBLE QUE LE POÊLE NE FONCTIONNE PAS CORRECTEMENT. SORTEZ AU GRAND AIR IMMÉDIATEMENT! FAITES RÉPARER LE POÊLE.

CERTAINES PERSONNES, COMME LES FEMMES ENCEINTES, LES PERSONNES ATTEINTES D'UNE MALADIE DU CŒUR OU DES POUMONS, LES PERSONNES SOUS L'EMPRISE DE L'ALCOOL, LES PERSONNES À HAUTE ALTITUDE, SONT PLUS AFFECTÉES PAR LE MONOXYDE DE CARBONE QUE LES AUTRES.

Bien que ce poêle soit sûr, tout appareil de combustion produit du monoxyde de carbone. Il est vivement recommandé de réduire les risques autant que possible, pour vous et vos proches, en installant un détecteur de monoxyde de carbone. Suivez les instructions d'installation, de fonctionnement et d'entretien fournis par le fabricant de votre détecteur.

DÉTECTEURS DE FUMÉE

Ayez au moins un détecteur de fumée à chaque étage de votre bâtiment. Suivez les instructions d'installation, de fonctionnement et d'entretien fournis par le fabricant de votre détecteur. Évitez les fausses alarmes en ne plaçant pas le détecteur à l'extérieur de la toute proximité du poêle. Normalement, un bon endroit pour l'installation des détecteurs de fumée est près des chambres à coucher.

POUR PLUS D'INFORMATION EN MATIÈRE DE SÉCURITÉ

Pour obtenir des renseignements complémentaires en matière de sécurité et de fonctionnement des poêles à bois, contactez la *National Fire Protection Association* (NFPA) par la poste en écrivant à :

NFPA, Batterymarch Park, Quincy, MA 02269

ou visitez le site Web de la NFPA :

<https://www.nfpa.org/>

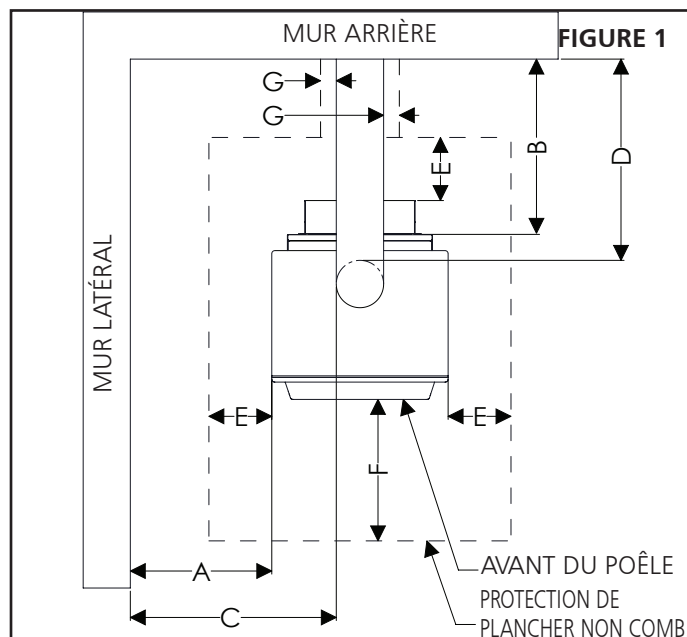
DISTANCE DE DÉGAGEMENT DES MATÉRIEAUX COMBUSTIBLES

(Consultez la figure 1 et le tableau 1) Les distances ici mentionnées sont les distances minimums entre le poêle et tout autre objet. Aucun objet ne devrait dépasser ces limites. Ceci inclut, sans s'y limiter, tapis, meubles, enfants, animaux, vêtements, carburant ou tout autre objet. Ces distances ne peuvent être réduites d'aucune façon ou par aucune autorité réglementaire aux États-Unis et au Canada.

Le poêle ne doit pas être situé à moins de 20 pouces (51 cm) (A) d'un mur latéral et [U.S. - 8,25 pouces (21 cm); Canada - 12,25 pouces (31 cm)] (B) du mur arrière. La paroi du conduit de ventilation vertical ne doit pas être à moins de 26,75 pouces (68 cm) (C) de tout mur.

La distance minimum du plancher au plafond, dans la pièce, doit être de 84 pouces (2 134 mm).

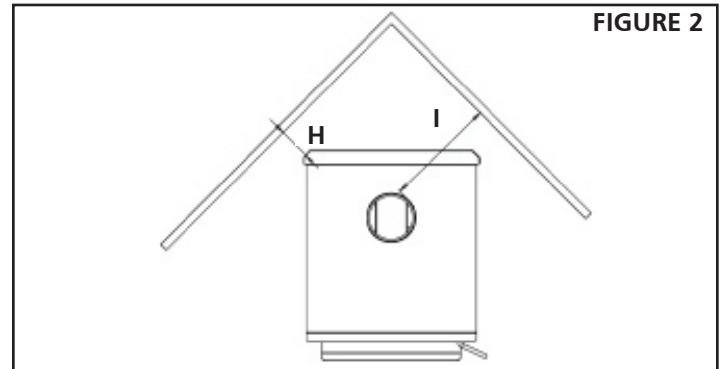
La distance minimum entre le plafond et la paroi de tout conduit de ventilation vertical doit être de 18 pouces (46 cm).



	États-Unis	CANADA
A	20 po (51 cm)	20 po (51 cm)
B	8,25 po (21 cm)	12,25 po (31 cm)
C	26,75 po (68 cm)	26,75 po (68 cm)
D	14 po (35,6 cm)	18 po (45,8 cm)
E	8 po (20,3 cm)	8 po (20,3 cm)
F	16 po (40,6 cm)	18 po (45,7 cm)
G	2 po (5,1 cm)	2 po (5,1 cm)
H	6,5 po (16,5 cm)	8,5 po (21,6 cm)
I	16 po (40,6 cm)	18 po (45,8 cm)

INSTALLATION EN COIN

Le poêle ne doit pas être à moins de [U.S. - 6,5 pouces (16,5 cm); Canada - 8,5 pouces (21,6 cm)] (H) d'un coin. La paroi du conduit de ventilation vertical ne doit pas être à moins de [U.S. - 16 pouces (40,6 cm); Canada - 18 pouces (45,8 cm)] (I) de tout coin.



REVÊTEMENT DE PLANCHER

(Consultez la figure 1 et le tableau 1) La protection du plancher doit se prolonger jusqu'à au moins [aux É.-U. - 16 po (40,6 cm); au Canada - 18 po (45,7 cm)] (F) à l'avant et au moins 8 po (20,3 cm) (E) au-delà de chaque côté de l'ouverture de chargement du combustible et d'élimination des cendres. La protection du plancher doit se prolonger sous le raccord de conduit et 2 po (5,1 cm) (G) au-delà de chaque côté du conduit.

MATÉRIAU DU REVÊTEMENT DE PLANCHER

Le poêle peut être installé sur du béton armé ou sur un sol en maçonnerie. Un plancher combustible doit être protégé par un panneau de braise non isolé selon la norme CSA B365. Les appareils de chauffage qui répondent aux exigences de la norme CAN/ULC-S627 peuvent être installés sur un plancher combustible et n'exigent pas la protection des planchers radiants.

INSTALLATION DES ACCESSOIRES

TROUSSE DE SOUFFLEUR (F500308) (Non Inclus)

Le souffleur peut être installé à l'arrière du poêle. Lorsqu'il est branché et que le poêle est en marche, ce souffleur propage l'air le long de l'extérieur de la chambre de combustion, le réchauffant avant qu'il circule dans la pièce à réchauffer.

⚠ AVERTISSEMENT : LE SOUFFLEUR DOIT ÊTRE DÉBRANCHÉ DE LA SOURCE D'ÉLECTRICITÉ AVANT L'INSTALLATION. CE SOUFFLEUR NE PEUT ÊTRE UTILISÉ QU'AVEC CE POÊLE.

À l'aide d'une clé ouverte ou à douille de 5/16 po, retirez les 4 vis retenant le panneau arrière. Fixez le boîtier de fixation du souffleur à l'arrière de l'appareil en utilisant 4 des vis n° 10 fournies. Fixez l'assemblage du souffleur au boîtier de fixation avec les 4 vis n° 10 qui restent.

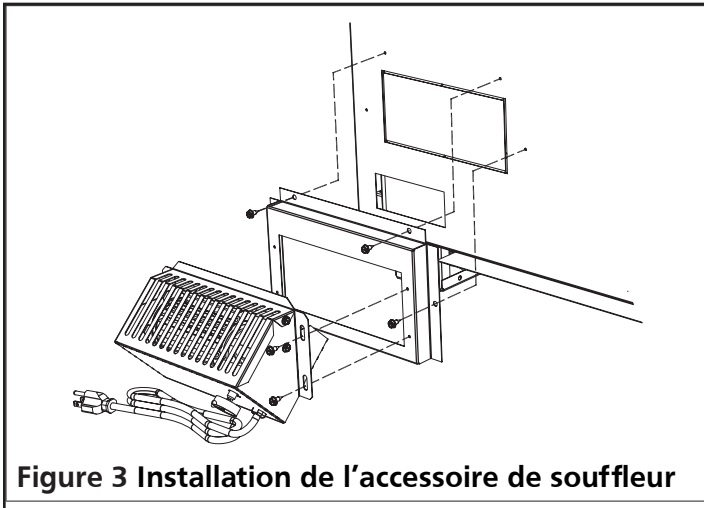


Figure 3 Installation de l'accessoire de souffleur

CONSIDÉRATIONS ÉLECTRIQUES

Le moteur du souffleur exige une alimentation de 110 V, 60 Hz CA et consommera 0,55 AMP d'électricité. Si vous prévoyez d'utiliser le souffleur, l'arrière du poêle devra se trouver à l'intérieur d'une distance accessible par le cordon d'alimentation, soit à environ 65 pouces (165 cm) d'une prise de courant. Placez le cordon d'alimentation de façon à ce qu'il ne touche nullement toute surface du poêle afin qu'il ne surchauffe pas et ne soit pas endommagé. Gardez le cordon d'alimentation à au moins 12 pouces des surfaces du poêle.

TROUSSE D'AIR EXTÉRIEUR (F500313)

Le manque d'air et le givrage peuvent faire que l'appareil fume dans la pièce. Une ventilation adéquate à partir d'une trousse d'air extérieur est nécessaire pour éviter cela. La ou les prises d'air à l'extérieur de la structure doivent:

— Inclure des clapets qui :

1. Permettent une fermeture à 100 %; et
2. Sont dotés d'un indicateur de la position approximative du clapet.

— Être conçues pour :

1. Empêcher que des matériaux tombent dans toute zone située sous la structure;
2. Empêcher que les rongeurs puissent pénétrer par l'extérieur;
3. Permettre un dégagement nul de la construction combustible; et
4. Avoir des capots d'étanchéité qui ne permettent pas d'avoir une vue directe sur l'ouverture d'admission.

Lorsqu'un appareil de chauffage est construit avec une ou plusieurs entrées pour fournir de l'air de combustion provenant de l'extérieur, toutes les ouvertures, y compris la porte de chargement du combustible, la

porte du cendrier et les dégagements entre les pièces ou les composants où l'air ambiant pourrait s'infiltrer dans l'échangeur de chaleur et où les produits de la combustion pourraient s'échapper, doivent être scellées de façon adéquate et durable pour empêcher toute fuite plus qu'insignifiante.

INSTALLATION

Mesurez votre espace et planifiez l'installation de votre système de cheminée, comme nous le décrivons en détail dans les instructions qui suivent.

Ce poêle peut aussi être installé dans une maison mobile aux États-Unis UNIQUEMENT. En plus de suivre les instructions, lisez et observez les exigences obligatoires à la page 9.

⚠ AVERTISSEMENT : Si ce poêle est mal installé, un incendie de domicile peut survenir. Pour réduire le risque d'incendie, observez toutes les instructions d'installation. Communiquez avec vos autorités locales du bâtiment ou des incendies pour vous renseigner sur les restrictions et exigences d'inspection des installations dans votre région.

OUTILS REQUIS (NON FOURNIS)

- Lunettes de sécurité
- Gants
- Crayon
- Ruban à mesurer
- Cisailles à tôle
- Tournevis Phillips (cruciforme) ou visseuse électrique comparable avec embout.
- Un ami (le poêle est lourd, ne tentez pas de le déplacer sans assistance)

PIÈCES ET MATÉRIAUX REQUIS (NON FOURNIS)

- Protection du plancher (consultez « REVÊTEMENT DE PLANCHER » et « MATÉRIAU DU REVÊTEMENT DE PLANCHER » à la page 5).
- Si l'installation ne se fait pas dans une maison mobile : tuyau de raccordement de la cheminée à paroi simple en acier noir 24 MSG (calibre minimum standard) ou bleui 26 MSG de 6 po (152 mm) de diamètre.
Si l'installation est dans une maison mobile : consultez EXIGENCES POUR MAISONS MOBILES
- Cheminée fabriquée homologuée UL 103HT (ÉU)/ULC-S629 (CAN) ou cheminée en maçonnerie doublée approuvée. L'espace doit être d'un minimum de 6 po (152 mm) de diamètre à un maximum de 10 po (254 mm) ou, sinon, d'un maximum de 85 pouces carrés (550 cm carrés) spécifiquement pour cheminée en maçonnerie. Installez la cheminée en vertu des instructions de son fabricant.
- Ciment à poêle (le fabricant recommande Rutland Code 78 ou un produit équivalent)

⚠ MISE EN GARDE : TOUTE DÉVIATION OU MODIFICATION DE CES INSTRUCTIONS D'INSTALLATION PEUT VOUS BLESSER OU ENDOMMAGER LE POÊLE, LA CHEMINÉE OU VOTRE DEMEURE. VOTRE GARANTIE POURRAIT AUSSI ÊTRE ANNULÉE. LISEZ ET OBSERVEZ TOUTES LES INSTRUCTIONS. Communiquez avec Grand Teton pour vos commentaires, préoccupations ou questions.

POSITION DU POÊLE

En choisissant l'emplacement du poêle, choisissez un endroit qui favorisera la meilleure distribution de chaleur possible dans toute la maison. Installez le poêle dans une pièce où vous passez le plus de votre temps et dans la pièce la plus spacieuse possible. Un poêle installé dans une salle de séjour ouverte donnera un meilleur rendement qu'un poêle installé dans un sous-sol ou à l'extérieur en températures sous le point de congélation. Également, le fait de brûler du bois sec donne au poêle un meilleur rendement que le fait de brûler du bois humide.

En choisissant la position et l'orientation du poêle, observez tous les dégagements des matériaux combustibles, assurez-vous que le poêle est sur un plancher à niveau et non pas surélevé, et, si vous utilisez l'accessoire de souffleur, veillez à ce que le poêle se trouve à l'intérieur d'une distance de 65 pouces (165 cm) d'une source d'électricité de 120 V.

⚠ AVERTISSEMENT : N'INSTALLEZ PAS LE POÊLE PRÈS DE SORTIES OU D'ESCALIERS. ASSUREZ-VOUS QUE LE POÊLE NE NUIT NULLEMENT À L'ÉVACUATION EN CAS D'INCENDIE.

EXIGENCES POUR RACCORDS DE CHEMINÉE ET INSTALLATION

Pour toute question au sujet des options de ventilation de votre poêle, contactez soit :

- Le fabricant, Enerco Group, au 1-866-740-2497/1-800-251-0001. Nos heures d'ouverture sont de 8 h à 17 h HNE, du lundi au vendredi.
- La *National Fire Protection Association* (NFPA) pour demander un exemplaire des plus récentes versions des normes NFPA Standard 211 et NFPA Standard 908. L'adresse postale de la NFPA est Battery March Park, Quincy, MA 02269.

⚠ MISE EN GARDE : CE POÊLE NE DOIT JAMAIS ÊTRE INSTALLÉ DANS UNE CHAMBRE À COUCHER OU UNE SALLE DE BAIN.

⚠ MISE EN GARDE : NE PAS INSTALLER DANS UNE ALCÔVE.

Le raccord de cheminée doit être pour tuyau de poêle et se conformer à ces exigences :

- Avoir un diamètre de 6 po (152 mm)
- Paroi unique
- Fabriqué d'acier bleui de 24 MSG (calibre standard minimum)

Insérez le rebord plissé du tuyau de cheminée dans la sortie d'air du poêle dans le haut de celui-ci. Fixez le Poêle à Bois

tuyau en place avec trois vis à tôle, dans trois orifices uniformément espacés.

Tout autre raccord ou coude doit être installé avec son rebord plissé dans l'extrémité « poêle » du passage (et non pas l'extrémité « cheminée ») et doit être fixé avec trois vis à tôle uniformément espacées.

Les précautions suivantes, concernant la tuyauterie d'évacuation, doivent être observées :

- Vous devez au moins 2 pieds (61 cm) de tuyau vertical ressortant du poêle, au minimum, avant que le système puisse avoir une section d'évacuation horizontale.
- REMARQUE: N'installez pas la cheminée directement à la sortie de l'appareil. Un raccord de cheminée (conduit de fumée) est nécessaire, sauf si l'appareil est spécialement approuvé pour ce type d'installation.
- Le tuyau horizontal doit être incliné vers le bas à l'écart de la cheminée, au taux de 1/4 pouce (0,6 cm) pour chaque 1 pouce (0,3 m).
- Le dégagement minimum entre le point le plus élevé du tuyau horizontal et le plafond doit être de 18 pouces (45,7 cm)
- Un total de deux (2) coudes est permis pour l'installation de l'évacuation. N'utilisez jamais plus de deux coudes, car ceux-ci peuvent provoquer un mauvais tirage et des fuites de fumée. Lorsque vous utilisez des coudes, vous pouvez protéger l'intégrité du tirage en employant des coudes ondulés non ajustables.

⚠ MISE EN GARDE : LES JOINTS ET RACCORDS DE TOUT SYSTÈME DE VENTILATION (SORTIE D'AIR DE COMBUSTION ET CONDUITE D'ENTRÉE D'AIR FACULTATIVE) DOIVENT ÊTRE SCELLÉS AU SILICONE POUR HAUTE TEMPÉRATURE.

⚠ MISE EN GARDE : UN RACCORD DE CHEMINÉE NE DOIT PAS TRAVERSER UN GRENIER OU UN ESPACE DE TOITURE, UN PLACARD OU AUTRE ESPACE DISSIMULÉ SEMBLABLE, OU UN PLANCHER OU PLAFOND. SI LE PASSAGE AU TRAVERS UN MUR OU UNE CLOISON COMBUSTIBLE EST REQUIS, L'INSTALLATION DOIT SE CONFORMER À LA NORME CAN/CSA-B365, CODE D'INSTALLATION DES APPAREILS À COMBUSTIBLES SOLIDES ET DU MATÉRIEL CONNEXE.

⚠ MISE EN GARDE : NE RACCORDEZ PAS CET APPAREIL À UN CONDUIT DE CHEMINÉE SERVANT À UN AUTRE APPAREIL.

Lorsqu'un passage à travers un mur ou une cloison fabriqués d'un matériau combustible est requis, l'installation doit se conformer aux instructions du fabricant de la cheminée.

REMARQUE : Au Canada, l'installation doit se conformer à la norme CAN/CSA-B365 pour le passage au travers une construction combustible, comme dans la figure 4 à la page suivante.

Mode d'emploi et guide du propriétaire

TECHNIQUE DE PASSE-MUR APPROUVÉE NFPA 211 (ÉU SEULEMENT)

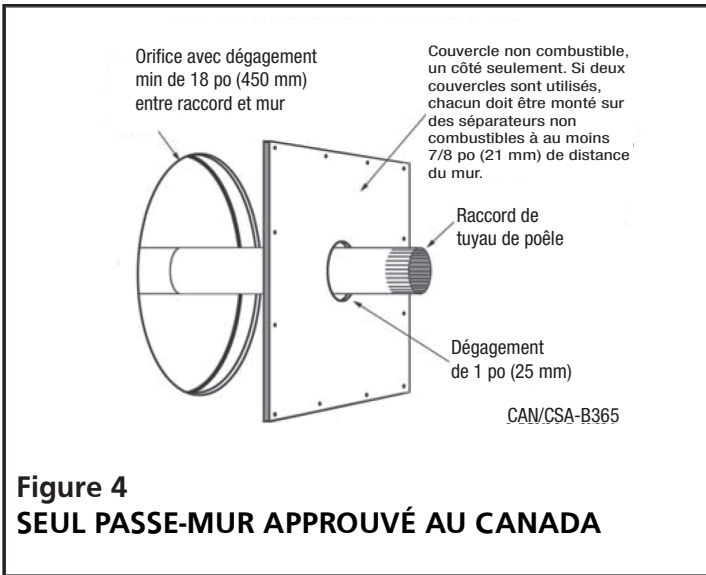


Figure 4
SEUL PASSE-MUR APPROUVÉ AU CANADA

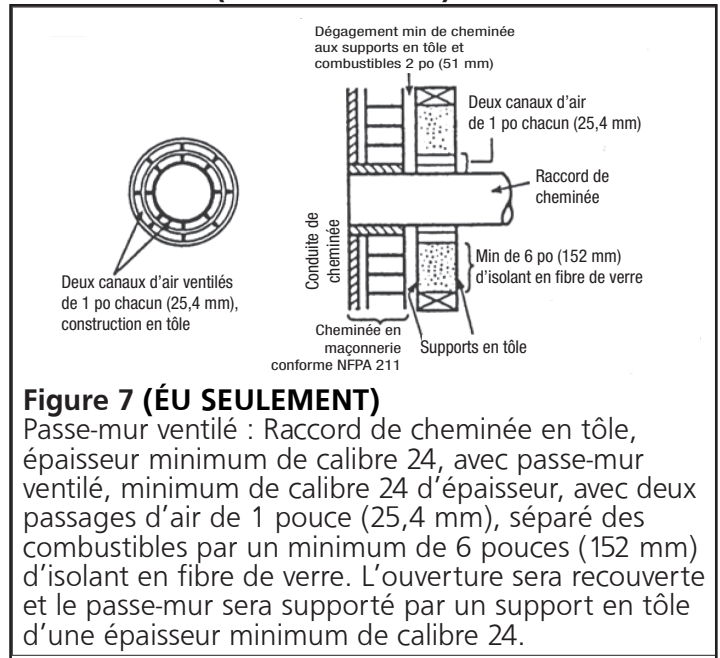


Figure 7 (ÉU SEULEMENT)
Passe-mur ventilé : Raccord de cheminée en tôle, épaisseur minimum de calibre 24, avec passe-mur ventilé, minimum de calibre 24 d'épaisseur, avec deux passages d'air de 1 pouce (25,4 mm), séparé des combustibles par un minimum de 6 pouces (152 mm) d'isolant en fibre de verre. L'ouverture sera recouverte et le passe-mur sera supporté par un support en tôle d'une épaisseur minimum de calibre 24.

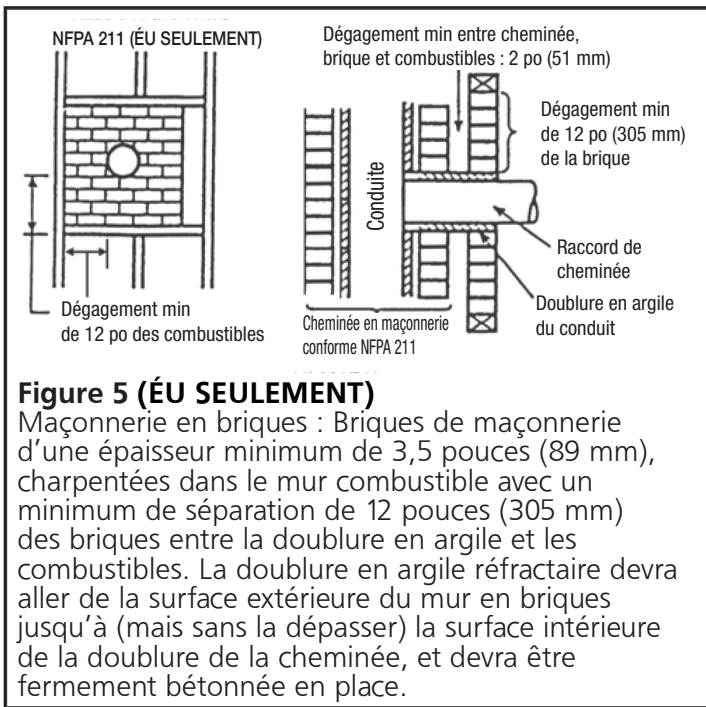


Figure 5 (ÉU SEULEMENT)
Maçonnerie en briques : Briques de maçonnerie d'une épaisseur minimum de 3,5 pouces (89 mm), charpentées dans le mur combustible avec un minimum de séparation de 12 pouces (305 mm) des briques entre la doublure en argile et les combustibles. La doublure en argile réfractaire devra aller de la surface extérieure du mur en briques jusqu'à (mais sans la dépasser) la surface intérieure de la doublure de la cheminée, et devra être fermement bétonnée en place.

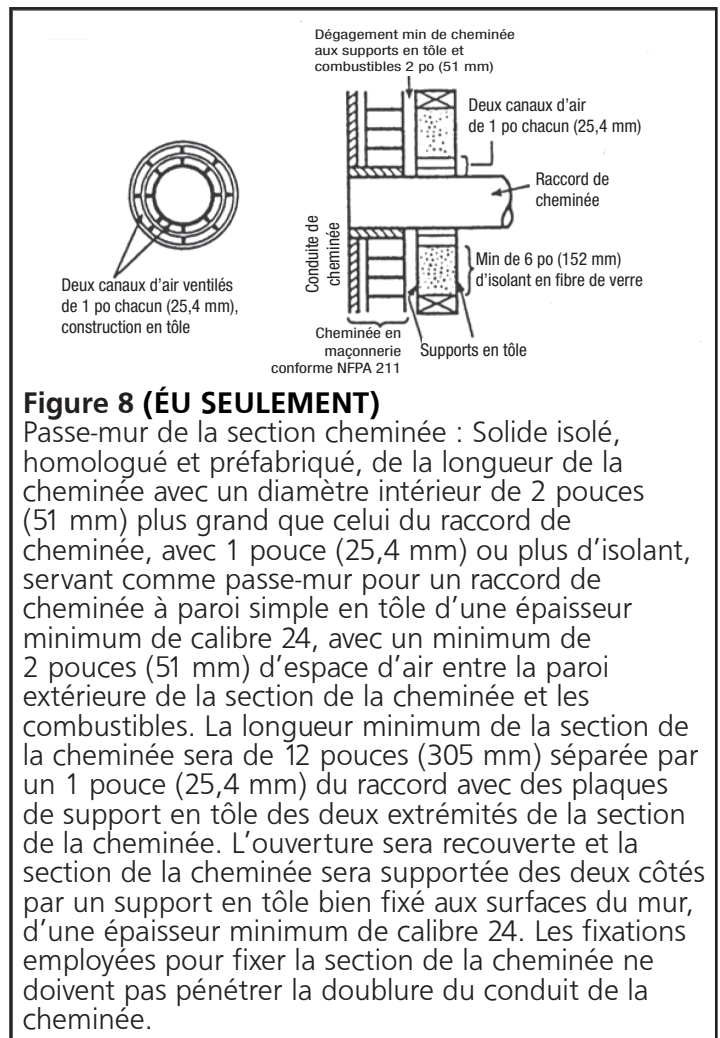


Figure 8 (ÉU SEULEMENT)
Passe-mur de la section cheminée : Solide isolé, homologué et préfabriqué, de la longueur de la cheminée avec un diamètre intérieur de 2 pouces (51 mm) plus grand que celui du raccord de cheminée, avec 1 pouce (25,4 mm) ou plus d'isolant, servant comme passe-mur pour un raccord de cheminée à paroi simple en tôle d'une épaisseur minimum de calibre 24, avec un minimum de 2 pouces (51 mm) d'espace d'air entre la paroi extérieure de la section de la cheminée et les combustibles. La longueur minimum de la section de la cheminée sera de 12 pouces (305 mm) séparée par un 1 pouce (25,4 mm) du raccord avec des plaques de support en tôle des deux extrémités de la section de la cheminée. L'ouverture sera recouverte et la section de la cheminée sera supportée des deux côtés par un support en tôle bien fixé aux surfaces du mur, d'une épaisseur minimum de calibre 24. Les fixations employées pour fixer la section de la cheminée ne doivent pas pénétrer la doublure du conduit de la cheminée.

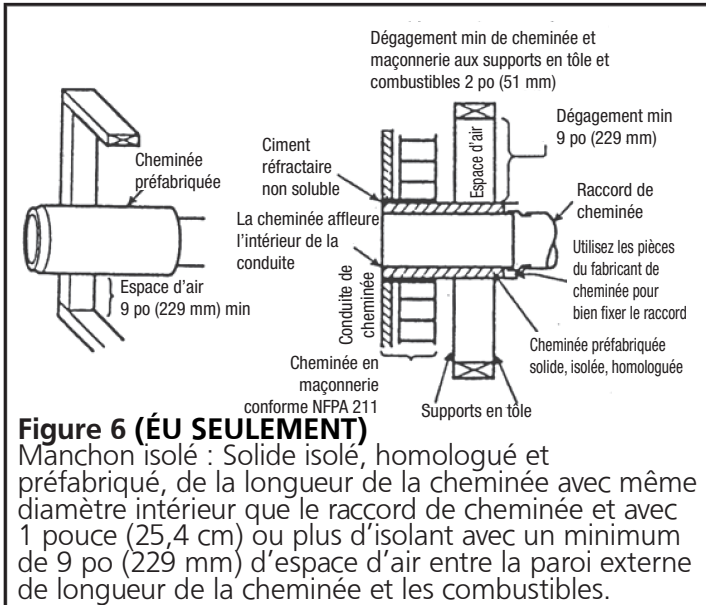


Figure 6 (ÉU SEULEMENT)
Manchon isolé : Solide isolé, homologué et préfabriqué, de la longueur de la cheminée avec même diamètre intérieur que le raccord de cheminée et avec 1 pouce (25,4 cm) ou plus d'isolant avec un minimum de 9 po (229 mm) d'espace d'air entre la paroi externe de la cheminée et les combustibles.

EXIGENCES SUPPLÉMENTAIRES POUR MAISONS MOBILES

REMARQUE: Uniquement approuvé pour la maison mobile aux États-Unis, non approuvé pour la maison mobile au Canada.

Toutes les installations dans une maison mobile doivent se conformer à la norme *Manufactured Home and Safety Standard (HUD), CFR 3280, part 24.*

PIÈCES ET MATÉRIAUX REQUIS (NON FOURNIS)

⚠ MISE EN GARDE : IL EST IMPORTANT DE N'UTILISER QUE LES COMPOSANTS INDICUÉS. L'UTILISATION DE COMPOSANTS AUTRES QUE LES COMPOSANTS INDICUÉS PEUT HAUSSER LES RISQUES POUR VOUS, LE POÊLE ET VOTRE DEMEURE.

- Fil de mise à la terre n° 8.
- Deux (2) dispositifs de mise à la terre homologués *National Electrical Code (NEC)*.
- Une rondelle pénétrant dans la peinture, comme une rondelle en étoile.

Tous les composants du système de ventilation indiqués ci-dessous doivent être de type HT et homologués UL 103 HT. Installez la cheminée en vertu des instructions de son fabricant.

- Tuyau de poêle 6 po (152 mm) de diamètre et fabriqué d'acier noir 24 MSG (calibre standard minimum) ou d'acier bleui 26 MSG.
- Passe-mur de plafond convenant pour une maison mobile.
- Passe-mur de toit convenant pour une maison mobile.
- Pare-étincelles convenant pour une maison mobile.
- Solin de toit convenant pour une maison mobile.
- Chapeau de cheminée ne permettant pas l'insertion d'une tige d'un diamètre de 1/2 po (13 mm).
- Une cheminée fabriquée en usine, d'un minimum de 15 pi (4,6 m), conforme à ULC-S629, Norme sur les cheminées préfabriquées pour des températures n'excédant pas 650 °C.

EXIGENCES SUPPLÉMENTAIRES POUR L'INSTALLATION

⚠ MISE EN GARDE : DANS UNE MAISON MOBILE, L'INTÉGRITÉ STRUCTURALE DU PLANCHER, DES MURS, DU PLAFOND ET DU TOIT DOIT ÊTRE PRÉSERVÉE.

- Le poêle doit être installé sur une surface à niveau en mesure de supporter le poids du poêle.
- Le poêle doit être boulonné sur la surface à niveau de façon à être fixé de façon permanente et à ne pas pouvoir être déplacé ou incliné et de façon à prévenir la compromission de ses joints de ventilation.
- Le poêle doit être mis à la terre avec un fil de mise à la terre n° 8 acheminé à chaque extrémité à un dispositif de mise à la terre homologué *National Electrical Code (NEC)*. Une rondelle pénétrant dans la peinture, comme une rondelle en étoile, doit être installée au point de connexion avec la charpente en acier de la maison mobile.

- L'utilisation d'air de combustion de l'extérieur est obligatoire pour l'installation de ce poêle à bois dans une maison mobile ou préfabriquée.
 - Le tuyau de raccord pour l'air extérieur ressort du bas du poêle, au centre. Une trousse (F500313) est offerte par Enerco Group, Inc. pour raccorder le poêle à l'air de combustion extérieur.
 - S'il n'est pas possible d'utiliser la trousse F500313 pour le raccord d'air extérieur lors de l'installation du poêle, d'autres matériaux peuvent être utilisés sous réserve que les règlements suivants soient observés :
 - Le raccord doit avoir un diamètre minimum de 4 pouces (10,2 cm).
 - Le raccord doit être fabriqué exclusivement de métal et d'aucun autre matériau, comme le plastique.
- L'extrémité du raccord à l'extérieur de la maison mobile doit se conformer aux exigences suivantes :
- L'orifice du raccord doit être doté d'un écran pour prévenir la pénétration des rongeurs.
 - L'orifice du raccord doit en tout temps être libre de feuilles, de neige, de glace ou d'autres débris pouvant nuire à l'approvisionnement en air pendant que le poêle fonctionne.
- Lorsque la cheminée sort de la maison mobile à un endroit autre que le toit, et qu'elle sort à un point situé à 7 pieds (2,1 m) ou moins au-dessus du niveau du sol sur lequel la maison mobile est placée, une protection ou une méthode permettant d'entourer la cheminée doit être fournie au point de sortie sur une hauteur maximale de 7 pieds. Les ouvertures d'un protège-cheminée ne doivent pas permettre :
 - L'entrée d'une tige de 3/4 de pouce (19,1 mm) de diamètre; et
 - Un contact avec la cheminée par une tige de 1/2 po (12,7 mm) de diamètre insérée dans l'ouverture à une distance de 4 po (102 mm).

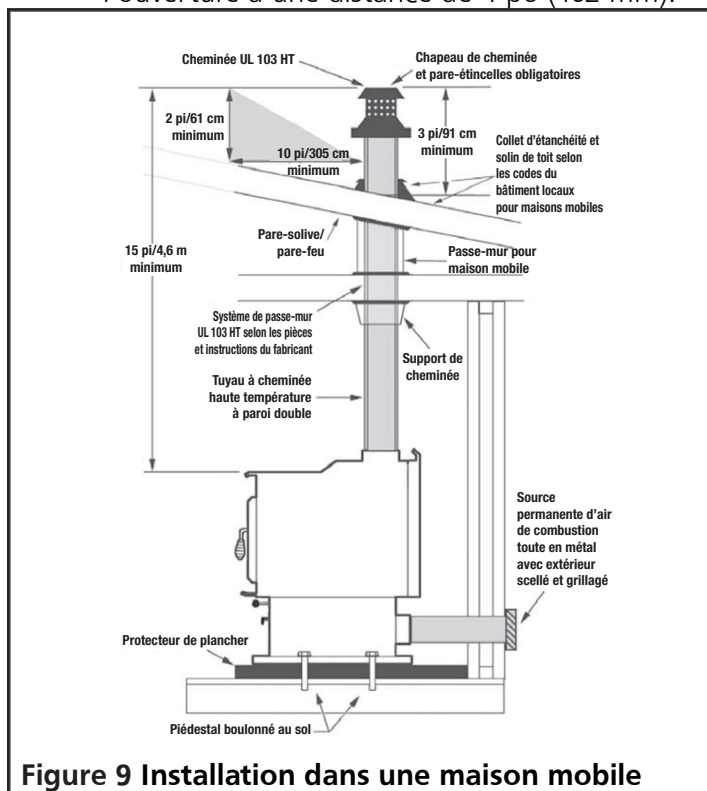


Figure 9 Installation dans une maison mobile

- Les joints de tous les raccords pour les deux systèmes de ventilation (entrée d'air et sortie d'air de combustion) doivent être scellés avec du silicone pour températures élevées.
- La cheminée doit se conformer à l'ensemble des codes et exigences de l'autorité compétente.
- La cheminée doit être retirée pour le transport de la maison mobile et réinstallée, en vertu des instructions, après le transport.

EXIGENCES RELATIVES À LA CHEMINÉE GÉNÉRALITÉS

⚠ MISE EN GARDE : LORS DE L'INSTALLATION DU SYSTÈME DE VENTILATION, N'OPTÉZ JAMAIS POUR DES COMPROMIS IMPROVISÉS; FAITES INSPECTER LES SYSTÈMES DE CHEMINÉE EXISTANTS AVANT DE LES UTILISER ET ASSUREZ-VOUS QUE TOUT SYSTÈME DE CHEMINÉE NEUF EST INSTALLÉ EN VERTU DES SPÉCIFICATIONS DU FABRICANT, UNIQUEMENT AVEC DES COMPOSANTS HOMOLOGUÉS UL (ULC AU CANADA).

Pour la sortie des produits de combustion et pour la réalisation du tirage nécessaire pour alimenter la combustion en oxygène, le poêle doit être installé pour l'utilisation en conjonction avec les deux systèmes de cheminée approuvés suivants :

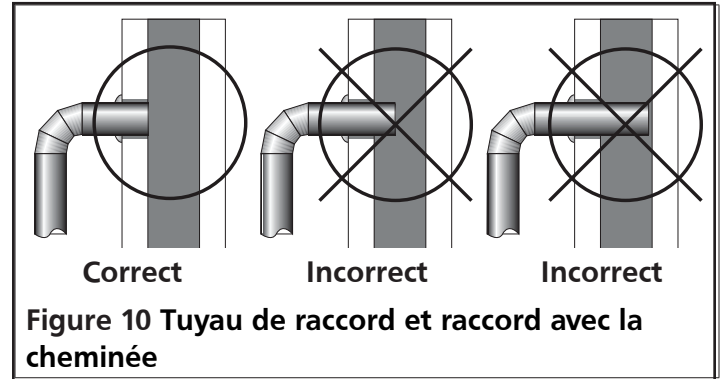
- Une cheminée conforme aux exigences relatives aux cheminées de type HT 2, 100 °F (1,149 °C) dans la norme *Standard for Chimneys, Factory-Built, Residential Type and Building Heating Appliance, UL 103* ou ULC S629 ou une cheminée en maçonnerie conforme au code et dotée d'un tubage.
- La taille de la cheminée ne doit pas être inférieure ou supérieure plus de trois fois supérieure à la section transversale zone de la buse de cheminée.
- Un foyer déjà en place, structurellement solide, qui comporte un tubage (aussi appelé « doublure », les tuiles d'argile qui protègent la cheminée), dont le clapet coupe-feu est fermé et scellé et qui a été approuvé à des fins de conversion par un spécialiste qualifié.

Tout système de cheminée :

- Doit se conformer à ces exigences au minimum :
 - Avoir une hauteur d'au moins 15 pieds (4,6 m) ou à un maximum de 45 pieds (14 m), mesurée du haut du poêle jusqu'au bout du chapeau de cheminée
 - Avoir au moins 3 pieds au-dessus du toit, mesurés du point de contact le plus élevé avec le toit et le bout du chapeau de cheminée.
 - Avoir au moins 2 pieds (61 cm) au-dessus du point le plus élevé de l'inclinaison du toit dans les 10 pieds (305 cm) à l'horizontale.
 - Doit pouvoir être facilement démonté à une hauteur de 13-1/2 pi (4,1 m) au-dessus du sol ou en dessous, et réinstallé sans l'utilisation d'outils ou d'instructions spéciales. L'ensemble de cheminée doit être muni d'un moyen de fixation mécanique pour fixer la cheminée au caisson de support du plafond.
- Avoir une pression négative de 0,05 à 0,06 pouce de colonne d'eau pour créer un tirage suffisant.

- Ne pas être fabriqué d'un matériau de tuyau de poêle. Seules les trois structures indiquées ci-dessus peuvent être utilisées.
- Ne doit pas être installé pour la ventilation d'une cave ou d'un sous-sol.
- Ne doit pas être utilisé pour ce poêle s'il sert aussi à un autre appareil.
- Ne doit pas être obstrué par les tuyaux de raccord de la cheminée, comme dans la figure 8 ci-dessous.

Contactez vos autorités locales du bâtiment pour vous renseigner sur les méthodes d'installation approuvées et les permis et/ou inspections nécessaires.



INSTRUCTIONS ET DIAGRAMME : CHEMINÉE EN MAÇONNERIE DOUBLÉE

Ce poêle est conçu pour l'évacuation par l'entremise d'une cheminée en maçonnerie avec tubage (tuiles d'argile protégeant la cheminée) qui se conforme aux codes locaux du bâtiment, au code d'incendie et de la plus récente version de la norme NFPA 211 aux États-Unis ou CAN/CSA-B365.

1. Nettoyez la cheminée en maçonnerie doublée conforme au code
2. Inspectez le tubage de la cheminée et apportez-y toute réparation requise.
3. Si le tuyau de raccord du poêle à la cheminée en maçonnerie traverse un mur combustible, consultez un maçon qualifié ou détaillant de cheminées. Pour la sécurité, l'installation ne doit être faite que par un installateur qualifié. L'installation doit se conformer aux règlements stipulés par le code d'incendie et le code du bâtiment locaux.

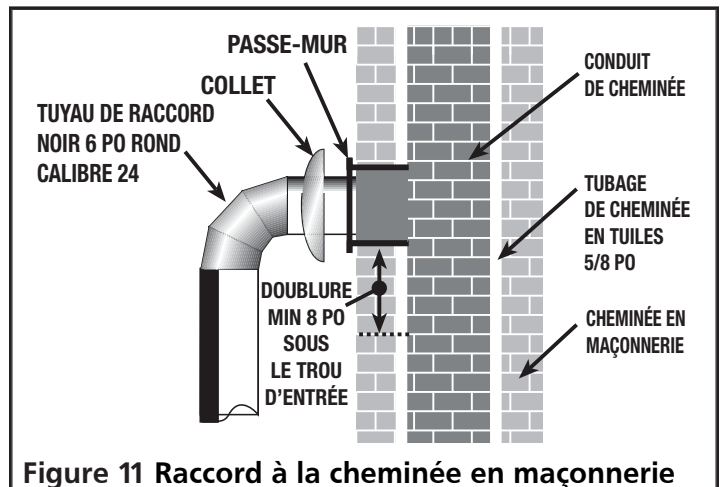


Figure 11 Raccord à la cheminée en maçonnerie

S'il existe une ouverture au bas de la cheminée, elle doit être étroitement fermée.

INSTRUCTIONS ET DIAGRAMME : CHEMINÉE PRÉFABRIQUÉE

⚠ AVERTISSEMENT : N'UTILISEZ PAS DE TUYAU DE RACCORD À PAROI UNIQUE COMME CHEMINÉE.

Ce poêle est conçu pour être utilisé avec une cheminée préfabriquée homologuée UL 103 ou ULC S629 (CAN) ou une cheminée en maçonnerie doublée approuvée UL-1777 (US)/ULC S635 or ULCS640 (CAN). Ce ne sont pas toutes les cheminées préfabriquées qui sont conformes UL 103 ou ULC S629 (CAN). Les centres de rénovation, les quincailleries et les établissements de fournitures pour chauffage/climatisation, ainsi que les sites Web des fabricants de cheminées, pourront vous fournir un tuyau de poêle conforme à ces normes.

Cette homologation indique que la cheminée convient pour les températures élevées jusqu'à 2 100 °F (1 149 °C).

N'utilisez que les composants qui viennent du même fabricant. Ne mélangez pas les marques des composants pour un même système de ventilation.

Les illustrations suivantes vous montrent les diverses méthodes et exigences pour l'utilisation d'une cheminée préfabriquée et de tuyaux de raccord pour l'évacuation du poêle.

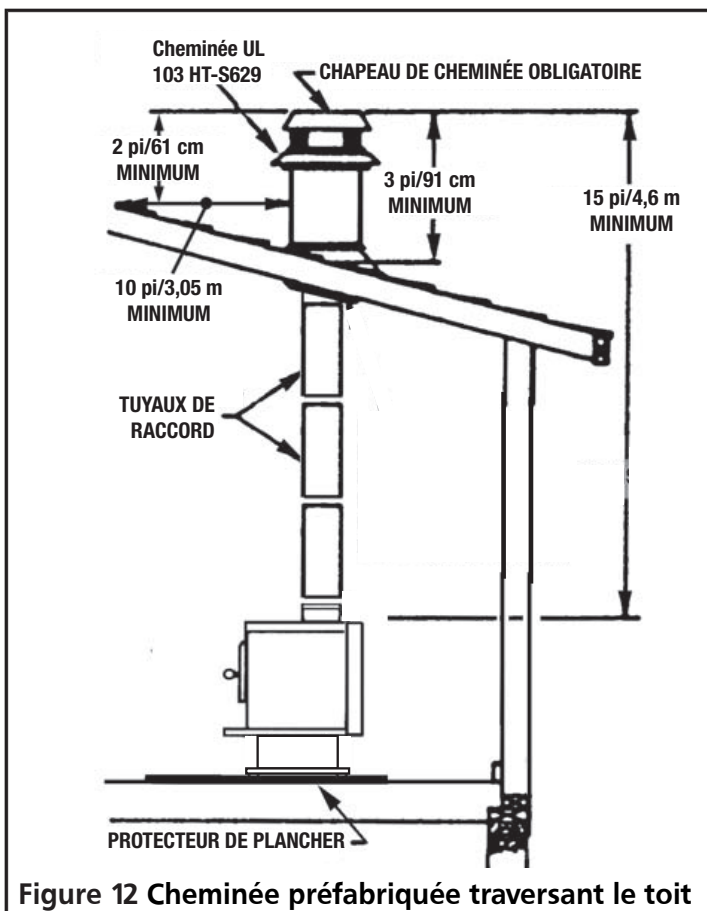


Figure 12 Cheminée préfabriquée traversant le toit

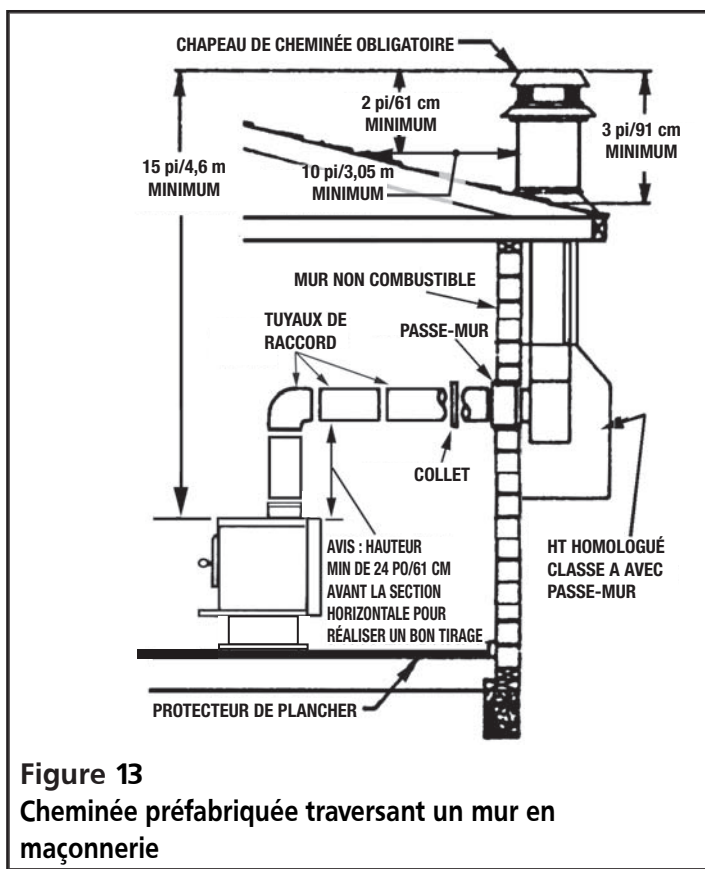


Figure 13 Cheminée préfabriquée traversant un mur en maçonnerie

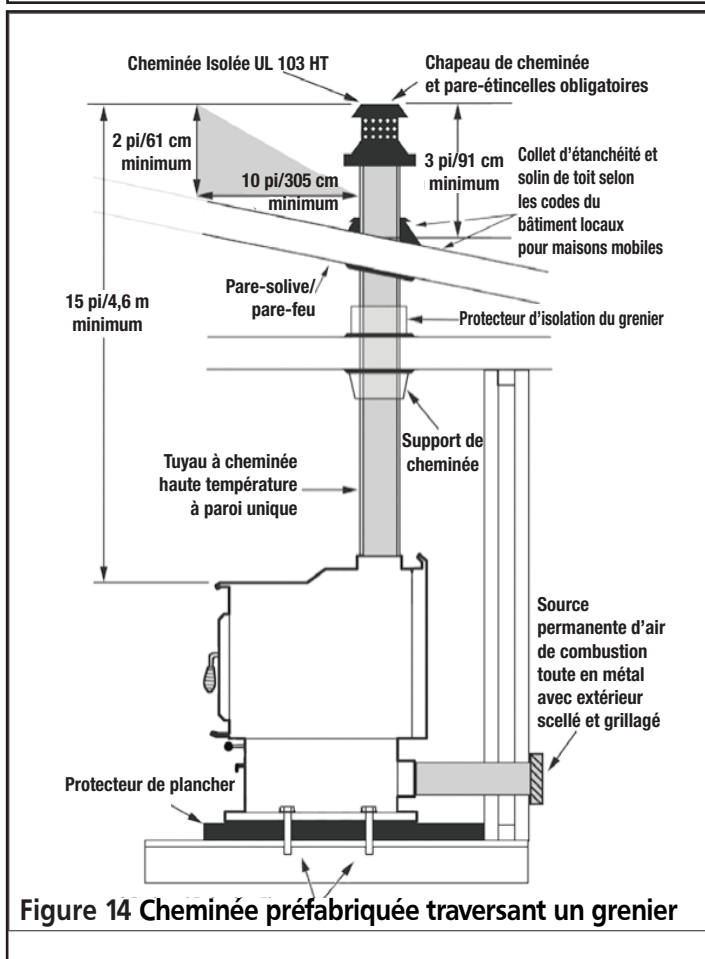


Figure 14 Cheminée préfabriquée traversant un grenier

INSTRUCTIONS ET DIAGRAMME : FOYER EXISTANT

Ce poêle peut être évacué à travers un foyer avec tubage (tuiles d'argile protégeant la cheminée), mais uniquement si vous observez l'ensemble des avertissements, exigences et processus indiqués. L'installation doit être faite de façon à ce que tout le système puisse être démonté pour un nettoyage et une inspection périodiques.

⚠ AVERTISSEMENT : L'ÉVACUATION D'UN POÊLE DANS UN FOYER PAR TOUTE MÉTHODE N'AYANT PAS ÉTÉ EXPLICITEMENT COUVERTE ICI OU QUI NE SE CONFORME PAS AUX CODES LOCAUX NE DOIT JAMAIS ÊTRE TENTÉE. SI VOUS LE FAITES, LA GARANTIE DE CE POÊLE SERA ANNULÉE ET VOUS RISQUERIEZ DE POSER UN DANGER POUR VOTRE DEMEURE.

⚠ MISE EN GARDE : FAITES APPEL À UN EXPERT POUR L'INSPECTION DE LA CHEMINÉE DU FOYER, QUI DEVRA AUSSI APPROUVER SA CONVERSION POUR L'UTILISATION AVEC UN POÊLE À BOIS.

REMARQUE : DE NOMBREUX FOYERS SONT CONÇUS POUR SUPPORTER LE CONTACT AVEC LES MATIÈRES COMBUSTIBLES AU NIVEAU DU PLANCHER, MAIS POURRAIENT NE PAS AVOIR ÉTÉ TESTÉS POUR UN POÊLE À BOIS. LE RACCORD D'UN POÊLE À BOIS À UNE CHEMINÉE DE FOYER PEUT ANNULER LA GARANTIE ACTUELLE DE LA CHEMINÉE DU FOYER.

1. Inspectez la cheminée. Toute question au sujet de la condition de la cheminée devra être posée à un entrepreneur agréé qualifié, un ingénieur qualifié, un maçon compétent, un ramoneur agréé ou un inspecteur bien renseigné. La cheminée doit :

- Être structurellement solide
- Être dotée d'un tubage en bonne condition.
Si la cheminée n'a pas de tubage ou si elle est endommagée, elle ne pourra pas être approuvée pour la conversion en vue de l'utilisation avec ce poêle à bois.
- Pouvoir être fixée et scellée au niveau du clapet et (le cas échéant) nettoyée et ne pas avoir d'ouvertures à la base pouvant provoquer des fuites au joint.

2. Si le tuyau de raccord du poêle à la cheminée en maçonnerie doit traverser un mur combustible, consultez un maçon qualifié ou un détaillant de cheminées. Pour la sécurité, l'installation ne doit être faite que par un installateur qualifié. L'installation doit se conformer aux règlements établis par les codes d'incendie et du bâtiment locaux.

3. Le tuyau du poêle doit pénétrer dans la cheminée au moins 8 pouces plus haut que le bas du tubage. La distance entre le plafond et le rebord du tuyau d'évacuation le plus rapproché du plafond doit être d'au moins 18 pouces (46 cm).
4. Installez un passe-mur dans l'ouverture créée. Le passe-mur :
 - Doit être fabriqué d'argile
 - Doit avoir une épaisseur minimum de 5/8 pouce (16 mm)
 - Être surdimensionné par rapport au tuyau de poêle de façon à ce qu'il y ait un écart d'environ 1/2 pouce (13 mm) pour l'air. Ceci est obligatoire afin que le tuyau puisse s'élargir et se contracter selon la température.
 - Doit être placé de façon à être entouré de 12 pouces (305 mm) de briquetage ou 24 pouces (61 cm) de pierre.
 - Doit être installé de façon à ce que son rebord affleure la doublure de la cheminée (consultez la figure 9, page 10).
5. Fixez le passe-mur en place avec du mortier réfractaire.
6. Installez le tuyau de poêle afin qu'il soit inséré aussi profondément que possible dans le passe-mur sans dépasser la doublure du conduit de cheminée (ici encore, consultez la figure 9, page 10)
7. Afin de maintenir la continuité de l'étanchéité à l'air à l'endroit où la cheminée ou un autre élément pénètre dans le système de pare-air, scellez l'espace d'air entre le tuyau de poêle et le passe-mur avec un agent scellant haute température ou de la laine de céramique.
8. Avec du coulis haute température, de la laine de céramique ou du ciment à poêle, fixez et scellez le clapet et, le cas échéant, nettoyez toute autre ouverture à la base de la cheminée.

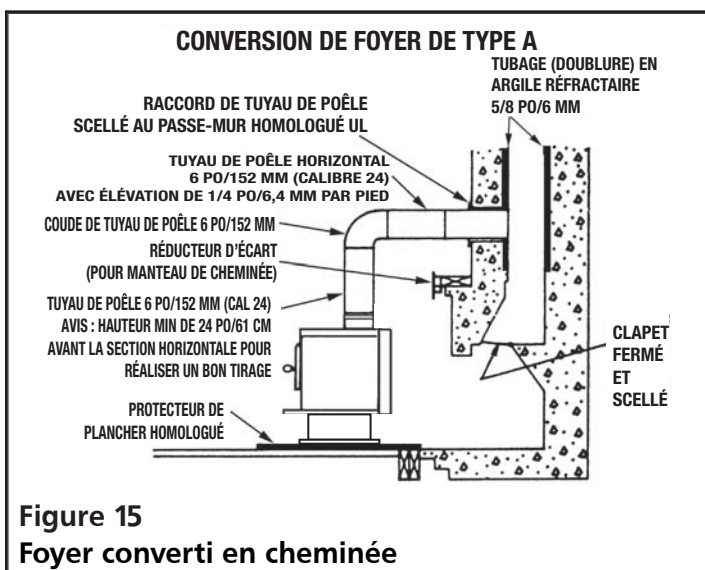


Figure 15
Foyer converti en cheminée

VENTILATION

IMPORTANT : Assurez-vous que rien ne bloque la circulation de l'air autour du poêle afin qu'il y ait suffisamment d'air d'appoint pour permettre au poêle de fonctionner correctement lorsqu'un kit d'air extérieur n'est pas utilisé.

L'entrée d'air dans le poêle se produit à trois endroits :

1. L'orifice inférieur principal d'entrée d'air, derrière la porte.
2. L'entrée d'air principale.
3. Les tubes d'air secondaires.

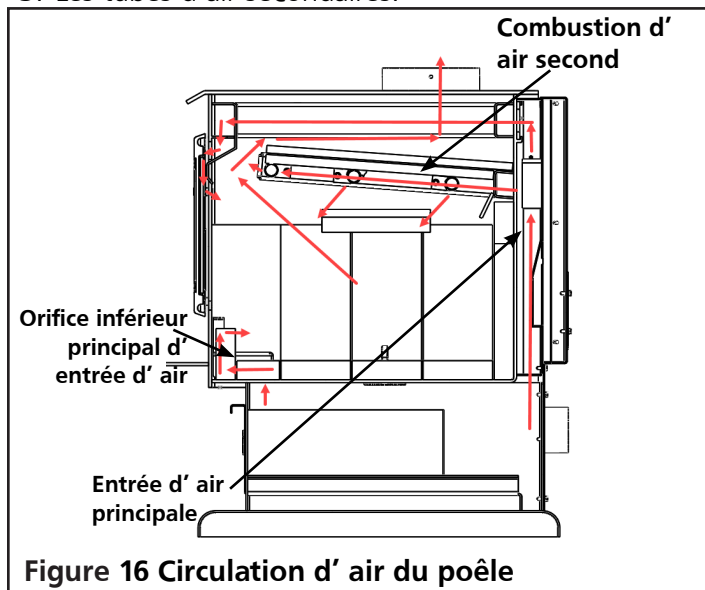


Figure 16 Circulation d'air du poêle

- En enfonçant la tige de commande d'air (à l'arrière du poêle) dans le poêle, l'orifice principal d'entrée d'air à l'arrière du poêle se ferme.
- En tirant la tige de commande d'air vers l'extérieur du poêle, vous faites augmenter la taille de l'ouverture où l'air pénètre dans la chambre de combustion.

En général, plus la tige de commande d'air est tirée vers l'extérieur, plus le poêle sera chaud. La position idéale de la tige de commande d'air varie selon les spécifications de la cheminée, les conditions météorologiques et le combustible.

Pour trouver la position idéale de la tige de commande d'air pour votre cas particulier, allumez un feu dans le poêle de la façon décrite dans ce manuel. Pendant 10 à 20 minutes, laissez la tige de commande d'air sortie du poêle pour ouvrir complètement l'entrée d'air principale. À l'endroit de la combustion d'air secondaire (dans le haut de la chambre de combustion), vous devriez pouvoir voir se produire une combustion secondaire. Poussez la tige de commande d'air dans le poêle au réglage de chaleur désiré. Si la combustion secondaire disparaît, rallumez-la en tirant la tige de commande d'air hors du poêle. Déplacez la tige de commande d'air au réglage de chaleur désiré en la poussant graduellement tout en vous assurant que la combustion secondaire continue de se produire. La combustion secondaire est importante, car elle sert à maximiser le transfert de chaleur du poêle à la pièce et à minimiser la quantité de fumée pouvant se condenser dans la cheminée sous forme de crésote.

REMARQUE : LA COMBUSTION SECONDAIRE MINIMISE, MAIS N'ÉLIMINE PAS, LA FORMATION DE CRÉOSOTE ET SON ACCUMULATION DANS LA CHEMINÉE.

- ⚠ AVERTISSEMENT :** Un air de combustion additionnel doit être fourni à partir de l'extérieur si ces indications, ou d'autres, portent à croire que l'infiltration d'air est inadéquate :
- Le tirage du poêle à combustible solide n'est pas uniforme, ou le poêle laisse s'échapper des rouleaux de fumée, brûle mal ou refole l'air, que la combustion soit ou non présente.
 - L'équipement au combustible déjà présent dans la maison, comme un foyer ou autre appareil de chauffage, émet une odeur, ne fonctionne pas correctement, laisse s'échapper des rouleaux de fumée lorsqu'il est ouvert ou refole l'air, que la combustion soit ou non présente.
 - N'importe lequel de ces symptômes est amenaisé en ouvrant légèrement une fenêtre si la journée n'est pas venteuse.
 - La maison est dotée d'un pare-vapeur bien scellé et de fenêtres bien ajustées et/ou a des appareils électriques qui consomment l'air dans la maison.
 - Il y a une condensation sur les fenêtres pendant l'hiver, et
 - Un système de ventilation est arrêté dans la maison.

CONSIDÉRATIONS LIÉES AU TIRAGE DE LA CHEMINÉE

Le tirage est la force qui déplace l'air du poêle vers la cheminée. La force de tirage dans votre cheminée varie selon la longueur de la cheminée, l'emplacement géographique, les obstructions avoisinantes et autres facteurs. Un trop fort tirage peut causer une température excessive dans le poêle. Un tirage inadéquat peut causer le refolement de fumée dans la pièce et le « colmatage » de la cheminée. Un tirage inadéquat provoque aussi une fuite de fumée dans la pièce à partir du poêle et des raccords de cheminée. Un brûlage incontrôlé et une température excessive indiquant que le tirage est excessif. Pensez bien au lieu de l'installation : l'inversion, et autres problèmes de qualité de l'air, peuvent survenir dans les vallées ou si le poêle est installé près de maisons avoisinantes. Pour réaliser et conserver le tirage :

- Une fois que le combustible est brûlé et que vous avez fini d'utiliser le poêle, ouvrez complètement l'entrée d'air principale en tirant la tige de commande d'air hors du poêle.
- Observez toutes les exigences liées à la cheminée, de la page 7 à la page 12.
- Scellez tous les raccords des tuyaux d'entrée et de sortie.
- Évitez d'utiliser des coudes et de grandes longueurs de tuyau horizontal.
- Nettoyez fréquemment les tuyaux d'évacuation.
- Réchauffez la cheminée en allumant un grand feu lorsque vous commencez à utiliser le poêle. **NE SURCHAUFFEZ PAS LE POÊLE. IL N'EST JAMAIS PERMIS DE SURCHAUFFER LE POÊLE.**
- Si un autre appareil évacue de l'air à l'extérieur et crée une pression négative, l'air pourrait être aspiré dans le sens inverse au lieu de sortir du poêle. Réglez cet effet en ouvrant une porte ou fenêtre à proximité.

BRIQUES RÉFRACTAIRES

Les briques réfractaires entourant la chambre de combustion devraient avoir déjà été installées dans votre poêle à bois. Inspectez les briques réfractaires à l'intérieur du poêle pour vous assurer qu'elles n'ont pas été déplacées ou fracassées pendant le transport ou l'installation.

⚠ MISE EN GARDE : NE FAITES JAMAIS FONCTIONNER LE POÊLE SANS BRIQUES RÉFRACTAIRES EN PLACE, COMME INDIQUÉ. AVANT L'ALLUMAGE, PUSSEZ LES BRIQUES RÉFRACTAIRES VERS L'ARRIÈRE DU POÊLE. IL NE DEVRAIT Y AVOIR AUCUN ÉCART ENTRE LES BRIQUES RÉFRACTAIRES.

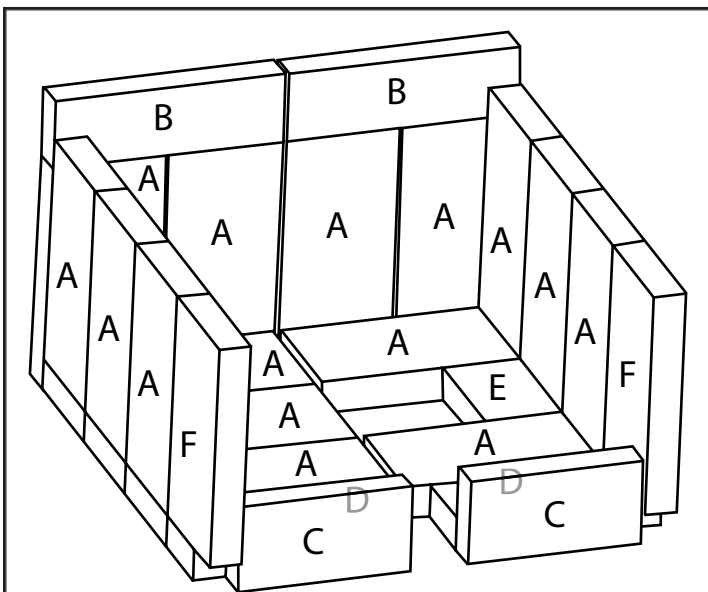


Figure 17
Motif d'assemblage des briques réfractaires dans un poêle moyen

REMARQUE : EN ENLEVANT OU INSTALLANT LES BRIQUES RÉFRACTAIRES

- Une fois que votre poêle à bois est bien installé, vous devrez avoir du bon bois (bois approprié et quantité appropriée) et de bonnes pratiques pour bâtir votre feu. La section qui suit vous aidera à obtenir la meilleure efficacité possible de votre poêle.

FONCTIONNEMENT

⚠ MISE EN GARDE : N'UTILISEZ JAMAIS LES MATÉRIAUX SUIVANTS COMME COMBUSTIBLE.

- Bois non sec (vert, humide ou fraîchement coupé);
- Bois traité sous pression;
- Produits de papier, carton, aggloméré;
- Bois flotté d'eau salée ou autre matériau auparavant saturé d'eau salée;
- Déchets;
- Restes d'animaux ou fumier;
- Résidus de tonte de gazon et déchets de jardin;
- Déchets de produits pétroliers;
- Matériaux contenant
 - amiante
 - plastique
 - caoutchouc (dont les pneus)
- Produits de pétrole comme
 - peintures
 - diluants à peinture
 - produits d'asphalte

La combustion de ces matériaux peut entraîner la libération de fumées toxiques ou rendre le radiateur inefficace et provoquer de la fumée.

COMBUSTIBLE AUTORISÉ :

⚠ MISE EN GARDE : NE BRÛLEZ QUE DU BOIS NON TRAITÉ. D'AUTRES MATÉRIAUX COMME LES AGENTS DE CONSERVATION DU BOIS, LA FEUILLE MÉTALLIQUE, LE CHARBON, LE PLASTIQUE, LES DÉCHETS, LE SOUFRE OU L'HUILE PEUVENT ENDOMMAGER LE POÊLE.

Le bois de corde naturel est le seul combustible permis pour l'utilisation dans ces poêles à bois. Observez les spécifications ci-dessous :

- Bois franc séché à l'air pendant au moins un an. Du bois convenablement séché est plus sombre, son grain est fissuré au extrémités, et il donne un son « vide » s'il est frappé contre un autre morceau de bois.
- Le bois doit mesurer de 16 pouces (41 cm) de longueur.
- Si une bûche a un diamètre de plus de 6 pouces, elle devra être fendue.
- La teneur en humidité du bois doit être inférieure à 19 %-25 % du poids de la bûche.
- Les bûches récemment coupées peuvent contenir 80 % ou plus d'humidité, selon l'espèce. Comme le bois rétrécit et peut aussi se fendre, se tordre ou autrement changer pendant qu'il sèche, la majorité du bois est séchée avant l'utilisation. Le séchage à l'air est le mode de séchage le plus fréquent pour le bois de corde. Presque partout aux États-Unis, la teneur minimum en humidité réalisée par le séchage à l'air est d'environ 12 à 15 %. La plupart du matériel séché à l'air contient plus souvent près

de 20 % d'humidité au moment de l'utilisation. Pour tester votre bois de chauffage, insérez les tiges dans le bois et attendez le résultat. Il ne suffit pas d'enfoncer le détecteur dans les extrémités du bois. Pour un résultat plus précis, fendez le bois et testez-en le centre. Le centre de la bûche est l'endroit le plus humide.

- ⚠ MISE EN GARDE : Toute tentative d'utiliser du bois humide ou non sec causera :**
- Des difficultés d'allumage
 - Une accumulation accélérée de crésote provoquant un feu de cheminée
 - Une combustion incomplète
 - Peu de chaleur produite
 - Le noircissement du verre de la porte

Certains allume-feux peuvent être utilisés au tout départ pour aider à faire prendre le bois. Quelques exemples d'allume-feux potentiellement efficaces : boules de papier, carton, sciure, cire et autres produits explicitement vendus pour allumer le feu. Le fait de brûler ces matières peut causer l'émission de fumées/vapeurs toxiques, rendre le poêle inefficace ou causer de la fumée. Faites des recherches et comprenez les directives et risques liés à l'allume-feu que vous choisissez.

- ⚠ MISE EN GARDE : N'UTILISEZ JAMAIS D'ESSENCE, D'HUILE À LANTERNE DE TYPE ESSENCE, DE KÉROSÈNE, D'ALLUME-FEU AU CHARBON OU DE LIQUIDES SEMBLABLES POUR ALLUMER OU « RAVIVER » UN FEU DANS CE POÊLE. GARDEZ CES LIQUIDES TRÈS À L'ÉCART DU POÊLE PENDANT QUE CELUI-CI EST EN MARCHÉ.**

Ne rangez pas le bois de chauffage ou les matières allume-feu sur le protecteur de plancher, sous le tuyau de poêle ou à tout endroit à l'intérieur des distances de dégagement minimums des matières combustibles indiquées à la page 5.

Le bois doit être conservé dans un endroit sec et bien aéré.

PRÉCAUTIONS LIÉES AU FONCTIONNEMENT

- ⚠ MISE EN GARDE : UN FEU DE CHEMINÉE PEUT PROVOQUER L'ALLUMAGE DES POTEAUX MURAUX OU DES POUTRES QUI SEMBLENT À DISTANCE SÛRE DE LA CHEMINÉE. SI UN FEU DE CHEMINÉE EST SURVENU, FAITES INSPECTER LA CHEMINÉE PAR UN SPÉCIALISTE AVANT DE L'UTILISER DE NOUVEAU.**

1. Inspectez le tuyau de poêle au début de la saison et au moins tous les 60 jours. Remplacez-le immédiatement s'il rouille ou laisse de la fumée s'échapper dans la pièce.
2. N'utilisez que le combustible approuvé.

- ⚠ AVERTISSEMENT : LE FAIT DE BRÛLER DES COMBUSTIBLES AUTRES QUE LE BOIS DE CORDE, PARTICULIÈREMENT LE CHARBON OU CHARBON DE BOIS, PEUT PROVOQUER UNE CONCENTRATION DANGEREUSE DE MONOXYDE DE CARBONE DANS LA DEMEURE. POUR CES RAISONS, NE FAITES JAMAIS BRÛLER DU CHARBON OU CHARBON DE BOIS DANS CE POÊLE À BOIS. L'INSTALLATION D'UN DÉTECTEUR DE MONOXYDE DE CARBONE ET LA CONNAISSANCE DES SYMPTÔMES DE L'INTOXICATION AU MONOXYDE DE CARBONE PEUVENT AIDER À RÉDUIRE LE RISQUE DE PROBLÈMES LIÉS AU MONOXYDE DE CARBONE.**

3. Inspectez la porte en verre. **MISE EN GARDE :** N'utilisez pas le poêle si le verre est craquelé ou brisé. Ne chargez jamais de combustible au-dessus de la hauteur des briques réfractaires, ce qui entraînerait une surchauffe du poêle.
4. Ne placez pas le bois contre le verre.

- ⚠ AVERTISSEMENT : CET APPAREIL EST CONÇU POUR ÊTRE UTILISÉ UNIQUEMENT AVEC LA PORTE FERMÉE ET FERMEMENT ENCLENCHÉE. L'UTILISATION DE CET APPAREIL SI LA PORTE EST LÂCHEMENT ENCLENCHÉE OU OUVERTE CAUSERA QU'UN EXCÈS D'AIR DE COMBUSTION ATTEIGNE LE FEU ET QUE LE FEU DEVIENNENT DANGEREUSEMENT TROP CHAUD. TEMPÉRATURES ÉLEVÉES – LA « SURCHAUFFE » PEUT ENDOMMAGER LE POÊLE, ANNULER LA GARANTIE OU ALLUMER LE CRÉOSOTE LAISSÉ DANS LE SYSTÈME DE CHEMINÉE PAR LES FEUX LENTS PRÉCÉDENTS.**

5. N'obstruez pas l'entrée d'air inférieur (au bas de la chambre de combustion, près de la porte) ou les tubes d'air secondaires (le long du haut de la chambre de combustion),

CUISSON DE LA PEINTURE

REMARQUE : COMME IL FONCTIONNE À TEMPÉRATURE ÉLEVÉE, CE POÊLE EST ENDUIT D'UNE PEINTURE SPÉCIALE POUR HAUTES TEMPÉRATURES. AFIN QUE LA PEINTURE ADHÈRE AU POÊLE DE FAÇON DURABLE, SUIVEZ LA PROCÉDURE SUIVANTE :

1. Faites brûler un petit feu dans le poêle pendant 20 minutes.
2. Faites brûler un autre petit feu dans le poêle pendant 20 minutes.
3. Faites brûler un feu moyen dans le poêle pendant 20 minutes.

Le processus de cuisson de la peinture est maintenant terminé. Assurez-vous d'avoir une ventilation traversante pour éliminer les odeurs ou la fumée provoquées par le processus de cuisson de la peinture.

FEU DE HAUTE INTENSITÉ AVEC ALLUMAGE À FROID

Pour démarrer le feu sur un réchaud « froid » :

1. Inspectez tous les joints de la porte, du tiroir à cendres et du bouchon à cendres pour vous assurer qu'ils sont en bonne condition. Fermez le tiroir à cendres. Obturez l'orifice de sortie des cendres. Inspectez la cheminée et les raccords de cheminée. Consultez Entretien à la page 8.

⚠ MISE EN GARDE : N'UTILISEZ PAS CE POÊLE SI LE VERRE EST BRISÉ.

⚠ AVERTISSEMENT : LE RACCORD DE CHEMINÉE DOIT ÊTRE EN BONNE CONDITION ET GARDÉ PROPRE POUR L'UTILISATION SÉCURITAIRE DE CE POÊLE.

2. Coupez et fendez environ 15 morceaux de bois d'allumage de 16 po (40 cm) de longueur. La moitié d'entre eux devrait être d'environ 1 po de pouce carré, le reste de 1/2 pouce carré. Le bois d'allumage doit être très sec et peser environ 3,2 livres.

⚠ AVERTISSEMENT : N'UTILISEZ PAS DE GRILLE ET N'ÉLEVEZ PAS LE FEU. LE FEU DOIT ÊTRE FAIT AU BAS DE LA CHAMBRE DE COMBUSTION MÊME. N'UTILISEZ PAS LE POÊLE AVEC LA PORTE PRINCIPALE OUVERTE. LE FONCTIONNEMENT DU POÊLE AVEC LA PORTE PRINCIPALE OUVERTE CAUSERA UNE SURCHAUFFE.

3. Coupez et fendez environ 15 morceaux de combustible d'allumage 16 po (40 cm) de longueur. La moitié des morceaux doivent avoir une section transversale plus grande (environ 1 1/2 po / 4 cm carré) et le reste une section transversale plus petite (environ 1 po / 2,5 carré) pesant environ 5,5 livres. Ceux-ci peuvent être séparés des plus gros morceaux de combustible avec une teneur en humidité de 19-25 % (base sèche). Le poids total du combustible d'allumage doit être d'environ 8,7 lb.

⚠ MISE EN GARDE : EN ENTREtenant LE FEU, PORTEZ TOUJOURS DES VÊTEMENTS IGNIFUGES ET UNE PROTECTION DES YEUX.

4. Disposez les morceaux de combustible d'allumage en forme de grille comme suit: Placez deux des plus gros morceaux à environ rapprochés, d'avant en arrière. Ensuite, deux autres morceaux de la même taille de gauche à droite, rapprochés et vers l'arrière du poêle. Placez environ sept des petits morceaux d'avant en arrière sur le dessus de la grille. Placez le combustible d'allumage restant sur le côté sur le dessus.

5. Ensuite, disposez les morceaux de bois d'allumage en forme de grille alternée similaire avec les plus gros morceaux suivis par les plus petits, avec une couche de trois morceaux allant de gauche à droite comme indiqué et six ou sept morceaux sur le dessus. Assurez-vous de garder les pièces rapprochées et vers l'arrière du poêle en les empilant vers le haut. Voir la figure 18.



Figure 18

Allumez le combustible et le petit bois sur le dessus et allumez le combustible empilé dans la boîte à feu. Commencez par la plus grande section transversale et montez à la plus petite sur le dessus.

⚠ AVERTISSEMENT : NE LAISSEZ JAMAIS LE POÊLE FONCTIONNER SANS SURVEILLANCE SI SA PORTE EST OUVERTE. LA PORTE NE DOIT ÊTRE OUVERTE QUE POUR ALLUMER LE FEU ET ENTREtenir LE FEU. POUR LA FERMER : FAITES PIVOTER FERMEMENT LA POIGNÉE DE LA PORTE DANS LE SENS DES AIGUILLES D'UNE MONTRE JUSQU'À CE QUE LA PORTE SOIT BIEN VERROUILLÉE. NE CLAQUEZ PAS LA PORTE.

6. Pour commencer, assurez-vous que la commande pneumatique est complètement retirée.
7. À l'aide d'une torche au propane, allumez la partie supérieure avant de la grille d'allumage, juste sous les tubes à air, entre les tubes central et arrière. La torche doit fonctionner pendant 60 secondes.
8. Fermez la porte après avoir fait fonctionner la torche.
9. Assurez-vous que la commande d'air est toujours dans la position d'ouverture maximale.
10. Laissez le ventilateur soufflant éteint pour la combustion du bois d'allumage.

AJOUT DE LA CHARGE DE COMBUSTIBLE HIGH FIRE

1. Lorsque le bois d'allumage et le combustible ont brûlé d'environ 2/3, ratissez les charbons et les morceaux de combustible restants vers l'avant jusqu'à ce qu'ils soient uniformément répartis et de niveau.
2. Placez le plus gros morceau de bois au centre de la chambre de combustion avec deux petits morceaux étroitement espacés de chaque côté, et en veillant à ce qu'il y ait de l'espace des deux côtés de la charge pour une bonne circulation de l'air.
3. Placez les morceaux restants sur les morceaux du bas bien emballé aussi. Tous les morceaux de combustible doivent être orientés d'avant en arrière. La commande d'air doit être réglé en position d'ouverture maximale (complètement retirée).
4. Fermez la porte et après environ 6 minutes d'installation de la charge élevée, mettez le ventilateur soufflant en position haute.

ALIMENTATION ET FONCTIONNEMENT À FEU FAIBLE (CHARGEMENT SUR LES CHARBONS APRÈS UNE UTILISATION À FEU ÉLEVÉ)

1. Après un feu à haute intensité (environ 3,7 livres restantes), écraser et ratissez les charbons restants vers l'avant jusqu'à ce qu'ils soient uniformément répartis et de niveau dans la chambre de combustion.
2. Placez les trois plus gros morceaux en premier. Ceux-ci doivent légèrement espacés. Placez les morceaux restants sur le premier laisser des trous dans le bois.
3. Fermez immédiatement la porte de chargement et réglez la commande d'air sur la position d'ouverture maximale (complètement retirée).
4. Laissez la commande d'air sur le réglage le plus élevé pendant environ 4 minutes. Poussez ensuite la commande d'air sur le réglage moyen (7 mm à partir de la fermeture complète) pendant 10 minutes avant de déplacer la commande d'air sur le réglage le plus bas possible.
5. Environ 30 minutes après avoir chargé le bas, allumez le ventilateur soufflant au réglage bas.

ALIMENTATION ET FONCTIONNEMENT À FEU MOYEN (CHARGEMENT SUR LES CHARBONS APRÈS UNE UTILISATION À FEU ÉLEVÉ)

1. Après un feu à haute intensité (environ 3,7 livres restantes), écraser et ratissez les charbons restants vers l'avant jusqu'à ce qu'ils soient uniformément répartis et de niveau dans la chambre de combustion.

2. Placez les trois plus gros morceaux en premier. Ceux-ci doivent légèrement espacés. Placez les morceaux restants sur le premier laisser des trous dans le bois.
3. Fermez immédiatement la porte de chargement et réglez la commande d'air sur la position d'ouverture maximale (complètement retirée).
4. Laissez la commande d'air sur le réglage le plus élevé pendant environ 10 minutes. Poussez ensuite la commande d'air sur le réglage moyen (7 mm à partir de la fermeture complète) pour le reste de la brûlure.
5. En outre, allumez le ventilateur soufflant à faible lorsque l'obturateur d'air est réglé sur Moyen.

⚠ MISE EN GARDE : SI LE POÊLE OU LE TUYAU DU POÊLE RELUIT EN ROUGE, C'EST QUE LE POÊLE SURCHAUFFE. FERMEZ LA PORTE DU POÊLE ET FERMEZ IMMÉDIATEMENT TOUTES LES COMMANDES D'AIR (PRESSEZ LA TIGE DE COMMANDE D'AIR EN POSITION ENTRÉE) POUR RÉDUIRE L'APPROVISIONNEMENT EN AIR ET RALENTIR LA COMBUSTION.

⚠ AVERTISSEMENT : EN CAS DE FEU DE CHEMINÉE :

1. **FERMEZ LA TIGE DE COMMANDE D'AIR EN LA POUSSANT VERS LE POÊLE.**
2. **SORTEZ DE LA MAISON OU DU BÂTIMENT.**
3. **APPELEZ LE SERVICE DE POMPIERS.**

MINIMISER LA FORMATION DE CRÉOSOTE

Consultez ENTRETIEN à la page 18 pour voir une explication au sujet de la formation de créosote et la façon de l'éliminer. Pour ralentir l'accumulation de créosote dans la cheminée, observez les directives suivantes :

- Ne brûlez que le combustible recommandé dans la section COMBUSTIBLE APPROUVÉ à la page 14.
- Ne mélangez pas de bois vert ou de bois mouillé avec le combustible approuvé. Le bois qui ne s'allume pas, mais qui siffle, grésille et noircit est trop mouillé. Il causera une accélération de l'accumulation de créosote dans la cheminée et réduira la production de chaleur du poêle.
- Ne remplissez la chambre de combustion qu'à la moitié de sa capacité pour une bonne combustion et pour réduire la quantité de fumée produite.
- Chaque fois que vous ajoutez du combustible, ouvrez complètement l'entrée d'air principale en tirant la tige de commande d'air vers l'extérieur du poêle.
- Périodiquement pendant la journée, ouvrez complètement l'entrée d'air principale en tirant la tige de commande d'air vers l'extérieur du poêle. Ceci aidera à garder la cheminée à température chaude, ce qui réduira la condensation de créosote.

ÉLIMINER LES CENDRES

Lorsque de la cendre s'accumule dans la chambre de combustion ou dans le plateau à cendres à une hauteur de 3-4 pouces :

1. Une fois que les cendres se sont refroidies, retirez le bouchon et balayez soigneusement les cendres dans le contenant à cendres.
2. Remettez le bouchon en place, retirez le contenant à cendres et videz-le dans un contenant convenable.
REMARQUE : Vous pouvez aussi vous procurer un aspirateur à cendre, modèle n° AV65GALB/AV65GALSS.
3. Placez les cendres dans un contenant en métal avec un couvercle bien ajusté et déplacé à l'extérieur immédiatement. En attendant l'élimination, le contenant de cendres fermé doit alors être placé sur un plancher non combustible ou sur le sol, bien éloigné de toute matière combustible. Si les cendres sont éliminées par enfouissement dans le sol ou autrement dispersées à l'échelle locale, conservez-les d'abord dans le contenant fermé jusqu'à ce que les braises se soient entièrement refroidies.
4. Ne placez jamais d'autres déchets dans les contenants à cendres.

ENTRETIEN QUOTIDIEN

- Inspectez la chambre de combustion pour voir l'accumulation de cendre; retirez l'excès de cendre et suivez les instructions ci-dessous pour les éliminer.

ENTRETIEN MENSUEL

- Vérifiez le souffleur (si installé) pour voir si de la poussière s'y est accumulée; vérifiez la poignée de la porte pour vous assurer qu'elle fonctionne bien et pour confirmer que la porte forme toujours un joint étanche.
- Inspectez le système de cheminée et le raccord de cheminée, et ramenez-le au besoin. Bien qu'il ne soit pas nécessaire de faire le nettoyage chaque mois, assurez-vous de TOUJOURS inspecter le système de ventilation chaque mois pour réduire la possibilité de feux de cheminée.
- Inspectez visuellement les panneaux de fibres de céramique pour voir s'ils sont craquelés ou brisés. Les légères fissures en surface n'affectent pas le rendement des panneaux, mais les panneaux craqués ou déchiquetés doivent être remplacés immédiatement.
- Inspectez visuellement les tuyaux de combustion secondaires à l'affût de fissures, de déformations et de corrosion. Bien que ces tubes soient fabriqués d'acier inoxydable, ils sont dans un environnement à très haute température et peuvent finir par s'user dans le cadre d'une utilisation normale.

ENTRETIEN ANNUEL

- Vérifiez tous les joints (fenêtre et porte) pour voir s'ils sont usés et pour confirmer qu'ils continuent de former un joint étanche à l'air. Suivez les instructions à la page suivante.
- Nettoyez complètement le système de cheminée et le système de raccords de cheminée. Comme le raccord de cheminée est normalement exposé à des températures d'évacuation élevées, inspectez-le de près à l'affût de fuites et de points faibles; remplacez toute pièce douteuse. Pour les systèmes où la cheminée traverse le toit directement, retirez les panneaux en céramique avant de pousser la brosse de ramonage dans la cheminée jusqu'à la chambre de combustion. Le fait de frapper le haut des panneaux avec une brosse ou une tige peut endommager ou même détruire les panneaux.
- Retirez toutes les cendres du poêle. Laissez la tige de commande d'air ouverte pendant les mois sans chauffage afin de permettre à l'air de circuler dans le poêle pour aider à prévenir la corrosion.

⚠ AVERTISSEMENT : NE TENTEZ PAS DE NETTOYER OU D'ENTREtenir LE POÊLE PENDANT QU'IL EST CHAUD. AVANT D'Ouvrir LA PORTE DU POÊLE À BOIS POUR TOUT TYPE DE SERVICE, ASSUREZ-VOUS QUE LE POÊLE EST FROID ET QUE LE SOUFFLEUR EST DÉBRANCHÉ.

⚠ AVERTISSEMENT : N'UTILISEZ QUE LES PIÈCES DE RECHANGE DU FABRICANT. L'UTILISATION DE TOUTE AUTRE PIÈCE POURRAIT CAUSER DES BLESSURES OU LA MORT.

CRÉOSOTE – FORMATION ET BESOIN DE L'ÉLIMINER

Un manquement d'éliminer le créosote peut provoquer un incendie dangereux dans la cheminée.

Lorsque le bois brûle lentement, il produit du goudron et autres vapeurs organiques qui se combinent avec l'humidité produite pour former le créosote. Les vapeurs de créosote se condensent dans la cheminée relativement froide d'un feu lent. Ainsi, des résidus de créosote s'accumulent dans le conduit de la cheminée. Lorsqu'il s'allume, le créosote produit un feu très chaud. Le raccord de la cheminée et la cheminée même devraient être inspectés au moins une fois tous les deux mois pendant la saison de chauffage pour déterminer si une accumulation de créosote s'est produite. Si une couche importante de créosote s'est accumulée (une huitième de pouce, 3 mm, ou plus), elle doit être éliminée pour réduire le risque de feu de cheminée.

Établissez-vous une routine pour le combustible, le brûlage et l'allumage. Vérifiez chaque jour l'accumulation de crésote jusqu'à ce que l'expérience vous révèle à quelle fréquence vous devez l'éliminer pour votre sécurité. Nous vous rappelons que plus le feu est chaud, moins de crésote s'accumule. Ainsi, un nettoyage chaque semaine pourrait être nécessaire pendant les temps plus doux, alors qu'un nettoyage mensuel pourrait suffire pendant les mois plus froids. Communiquez avec votre autorité des incendies municipale ou provinciale pour apprendre comment affronter un feu de cheminée. Ayez un plan compréhensible à suivre en cas de feu de cheminée.

NETTOYAGE DU VERRE

Assurez-vous que le poêle et le verre sont entièrement refroidis. L'accumulation sur le verre est normalement légère et de l'eau suffit habituellement pour éliminer les dépôts. Si de la suie tenace persiste, utilisez un nettoyant spécialement conçu pour l'éliminer. Rincez le verre à l'eau propre et laissez-le sécher avant de reprendre l'utilisation du poêle. Ces nettoyages aident à prévenir l'accumulation de cendres acides qui peuvent affaiblir le verre et causer qu'il se fissure. Il n'est jamais acceptable de faire fonctionner le poêle si le verre est fissuré ou brisé.

⚠ AVERTISSEMENT : NE NETTOYEZ PAS LE VERRE AVEC UN NETTOYANT ABRASIF OU DE TOUTE AUTRE FAÇON RISQUANT D'ÉGRATIGNER OU D'ENDOMMAGER LE VERRE. NE NETTOYEZ PAS LE VERRE S'IL EST CHAUD!

REMPACEMENT DU VERRE

⚠ AVERTISSEMENT : N'ENDOMMAGEZ PAS LA PORTE EN VERRE EN LA FRAPPANT OU EN LA CLAQUANT.

Remplacez le verre de la porte du poêle uniquement par un verre en céramique à vitrage simple de 5 mm pour hautes températures. La taille du verre est de 15 po (381 mm) x 11,25 po (285,75 mm). NE REMPLACEZ pas les matériaux par d'autres! Ne remplacez jamais le verre de céramique par du verre trempé ou tout autre type de verre. Contactez le fabricant pour plus d'information sur la façon de commander des pièces originales du fabricant ou des pièces équivalentes.

1. Retirez la porte du poêle et placez-la, face vers le bas, sur une surface de travail ferme.
2. Avec une clé de 5/16 po, retirez les dix vis des languettes de retenue.

3. Retirez les quatre languettes de retenue de la porte. Si le verre a été brisé, soyez prudents pour éviter les tessons et éclats de verre.
4. Soulevez l'ancien panneau de verre de la porte et jetez-le.
5. Le panneau de verre doit être entouré d'un joint en cordon autoadhésif à la fibre de verre. Si vous avez acheté un nouveau panneau de verre, il aura déjà été entouré. Si vous réutilisez le même panneau de verre, retirez l'ancien joint, grattez l'adhésif qui reste, et entourez le panneau avec le nouveau joint. Ce joint sert à amortir le verre contre la porte en fonte.
6. Réinstallez les languettes de retenue avec les dix vis enlevées plut tôt. Veillez à ne pas trop serrer les vis.

ENLEVER LES JOINTS ENDOMMAGÉS

Au fil du temps, les joints d'étanchéité autour du verre (cordon plat en fibre de verre, 3 mm x 16 mm) et de la porte (cordon de fibre de verre, dia. de 9/16 po) peuvent perdre leur rigidité. Ces joints sont essentiels pour sceller le poêle et lui permettre de fonctionner en toute sécurité. Inspectez les joints périodiquement et, s'ils viennent à s'user, contactez le fabricant pour plus d'information sur la façon de vous procurer un joint original ou équivalent.

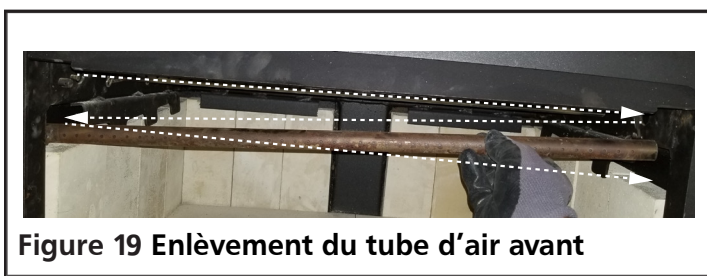
Pour remplacer le joint :

1. Assurez-vous que les braises et le bois sont bien éteints et que le poêle est froid au toucher.
2. Retirez l'ancien joint et nettoyez la rainure du joint.
3. Appliquez une mince couche d'adhésif haute température pour joints d'étanchéité à l'intérieur de la rainure.
4. Pressez l'extrémité de début du joint de rechange dans la position la plus haute et la plus à gauche de la rainure préparée.
5. Continuez à presser le joint de rechange en place, dans le sens des aiguilles d'une montre, tout le long de la rainure, jusqu'à ce que vous reveniez au point de départ.
6. Coupez l'excès et pressez le bout restant dans la rainure pour compléter le scellement.
7. Fermez la porte, le tiroir ou le piston à cendres et patientez de 3 à 4 heures pour que l'adhésif prenne avant d'utiliser le poêle de nouveau.

Remplacement des tubes d'air

REMARQUE : MANIPULEZ DÉLICATEMENT LE TUBE D'AIR POUR NE PAS L'ENDOMMAGER OU ENDOMMAGER LE POËLE.

1. À l'aide d'une clé ouverte ou à douille de 5/16 po, retirez les vis retenant le tube d'air.
2. Retirez le tube d'air en le glissant dans l'espace à droite, puis faites-le glisser vers la gauche et partiellement vers l'avant, et, enfin, retirez le tube en le glissant vers la droite et hors de la chambre de combustion. Ce mouvement ressemble à la lettre Z. Voyez la figure 19.



3. L'installation du même tube d'air (ou d'un tube d'air de rechange) se fait de la même façon qu'à l'étape 1, mais à l'inverse. Les autres tubes d'air pourraient avoir à être enlevés et remplacés de la même façon.

REPLACEMENT DU PANNEAU DE FIBRES DE CÉRAMIQUE

Pour remplacer un panneau fissuré ou brisé, retirez d'abord le tube de brûleur avant de la façon décrite ci-dessus. Ensuite, inclinez l'avant du panneau vers le bas et faites glisser le panneau que vous voulez remplacer. Installez le nouveau panneau (les deux panneaux devraient affleurer les tubes, côte à côte). Remettez en place le tube enlevé.

Pour remettre en place la couverture céramique, suivez les étapes précédentes pour retirer les panneaux en céramique, puis tirez la couverture. Remplacez-la par une nouvelle couverture en suivant les étapes précédentes, mais en ordre inverse.

NETTOYAGE DU SOUFFLEUR

Pour retirer les débris comme la poussière et la saleté, passez délicatement le tuyau d'un aspirateur à l'extérieur du boîtier du souffleur de 110 Volts/60 Hz/0,55 AMP. Avant de passer l'aspirateur ou de faire tout entretien du poêle, assurez-vous que le moteur est débranché.

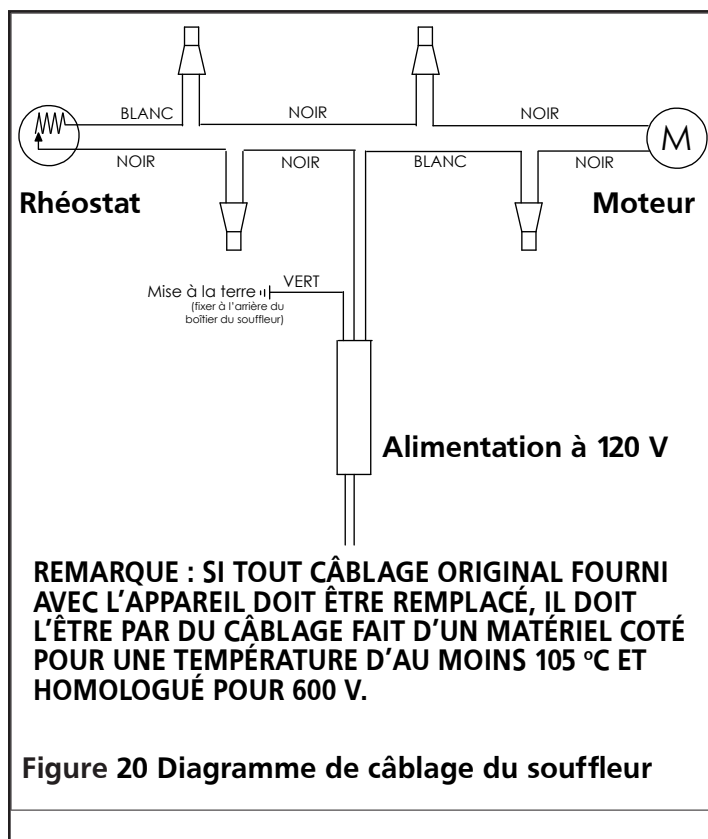


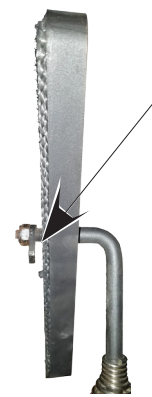
Figure 20 Diagramme de câblage du souffleur

LOQUET DE PORTE

En ouvrant et fermant la porte de façon répétitive, il est possible de déplacer par mégarde le filetage de la poignée de porte de façon à ce que la porte ne se referme plus correctement. Si ceci se produit, ouvrez la porte et inspectez la position du filetage de la poignée. Ajustez la poignée de porte jusqu'à ce qu'il devienne possible de fermer et de sceller fermement la porte avec le loquet en faisant tourner la poignée dans le sens contraire des aiguilles d'une montre.

- Faites pivoter la poignée de porte dans le sens des aiguilles d'une montre pour allonger le loquet plus loin dans la chambre de combustion afin de lui permettre de s'enclencher dans le cadre intérieur du poêle.
- Faites pivoter la poignée de porte dans le sens contraire des aiguilles d'une montre pour réduire la distance entre le loquet et le poêle.

Figure 21 Écart du loquet de la poignée de porte



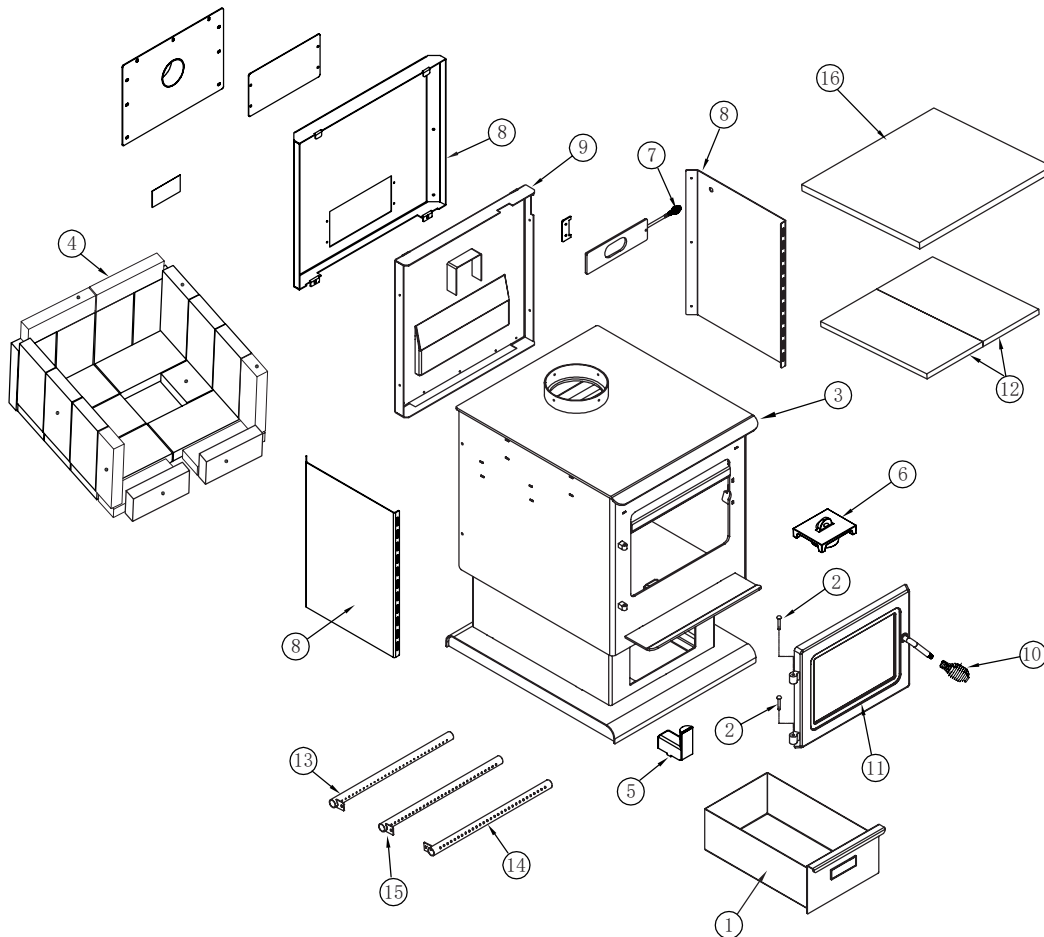
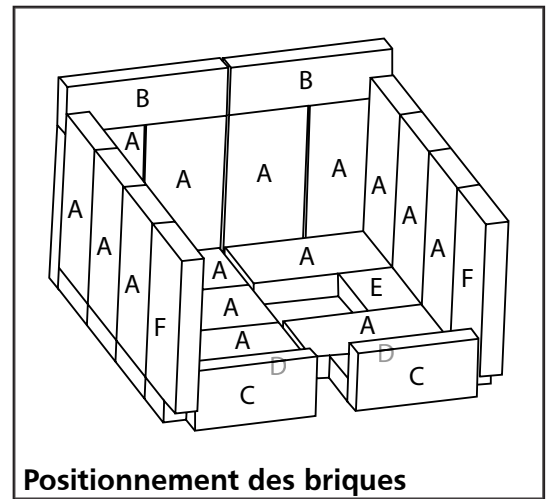
DÉPANNAGE

SYMPTÔME	CAUSE	SOLUTION
De la fumée s'échappe du poêle dans la pièce	Tirage faible.	Assurez-vous que la cheminée est d'une longueur suffisante. Consultez Exigences pour la cheminée à la page 10. Au besoin, ajoutez de la hauteur à la cheminée.
	Pression négative dans la demeure.	Ajoutez un raccord d'air de combustion extérieur au poêle.
Le feu est difficile à allumer	Tirage faible.	Assurez-vous que la cheminée est d'une longueur suffisante. Consultez Exigences relatives à la cheminée à la page 10. Au besoin, ajoutez de la hauteur à la cheminée.
	Cheminée froide.	Réchauffez la cheminée en brûlant du papier journal chiffonné dans le poêle.
		Installez une enceinte isolée autour de la cheminée externe.
	Retour d'air dans la cheminée.	Assurez-vous que la cheminée est d'une longueur suffisante. Consultez Exigences relatives à la cheminée à la page 10.
Tentez de réchauffer le conduit avec un séchoir à cheveux pour corriger le tirage.		
Le verre est sale	Bois vert ou humide.	Ne brûlez que du bois séché pendant au moins un an, sans glace ou neige.
	Poêle fonctionnant à un taux de combustion lent.	Faites fonctionner le poêle à un taux de combustion supérieur pour garder le verre propre.
	Bois chargé trop près du verre.	Ne chargez jamais le bois de façon à ce qu'il touche le verre de la fenêtre.
Accumulation de charbon dans la chambre de combustion	Poêle fonctionnant à un taux de combustion élevé.	Réduisez l'entrée d'air de combustion et laissez le charbon brûler avant de recharger le poêle.
Le feu brûle sans contrôle	Tirage excessif.	Réduisez la hauteur de la cheminée.
	Fuites d'air.	Inspectez les joints de la fenêtre et de la porte et remplacez-les au besoin.
	Le bois que vous brûlez est trop sec.	Ne brûlez que du bois de corde sec. Ne brûlez pas de bois séché au séchoir ou de bois de palette.
Excès de fumée de la cheminée	Le poêle fonctionne à un taux de combustion lent.	Faites fonctionner le poêle à un taux de combustion plus élevé pour créer une combustion secondaire.
	Bois vert ou humide.	Ne brûlez que du bois séché pendant au moins un an, sans glace ou neige.
	Un nouveau chargement de bois ne se carbonise pas.	Laissez le bois se carboniser jusqu'à ce qu'il soit enflammé et que la combustion secondaire active soit présente dans la chambre de combustion.

PIÈCES DE SERVICE – MODÈLE T100

REMARQUE : Certaines pièces ne sont pas disponibles. Pour toute question, communiquez avec le fabricant.

N° D'ART.	N° DE PIÈCE	TAILLE DE BRIQUE
A	66710	23 x 11 x 3 cm (9 x 4,5 x 1,25 po)
B	66822	23 x 6 x 3 cm (9 x 2,5 x 1,25 po)
C	66823	17 x 8 x 3 cm (6,75 x 3,25 x 1,25 po)
D	66914	20 x 6 x 3 cm (8 x 2,5 x 1,25 po)
E	66824	11 x 11 x 3 cm (4,5 x 4,25 x 1,25 po)
F	66825	23 x 7 x 3 cm (9 x 2,75 x 1,25 po)



⚠ AVERTISSEMENT :
Le fait de manquer de placer les pièces en vertu de ces diagrammes ou tout manquement de n'utiliser que des pièces approuvées pour ce poêle particulier peut causer des dommages aux biens ou des blessures.

N° d'art.	N° DE PIÈCE	DESCRIPTION
1	66851	Tiroir à cendres
2	66852	Goujon de Porte
3	S. O.	Boîtier principal
4	*	Briques réfractaires – voir le tableau ci-dessus
5	S. O.	Allumeur
6	66715	Bouchon à cendres
7	66853	Poignée à ressort de Cheminée
8	S. O.	Panneau arrière et écran thermique

N° d'art.	N° DE PIÈCE	DESCRIPTION
9	S. O.	Panneau du souffleur
10	66836	Poignée à ressort
11	66724	Porte
12	66717	Panneau en céramique
13	66718	Tube d'air arrière
14	66719	Tube d'air avant
15	66720	Tube d'air du centre
16	66721	Couverture céramique

THIS PAGE INTENTIONALLY LEFT BLANK
ESTA PÁGINA INTENCIONALMENTE SE DEJA EN BLANCO
CETTE PAGE A ÉTÉ INTENTIONNELLEMENT LAISSÉE VIERGE

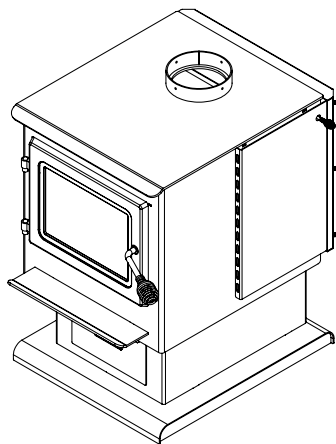


MODE D'EMPLOI ET GUIDE DU PROPRIÉTAIRE

N° de modèle

T100

LISEZ CES INSTRUCTIONS ATTENTIVEMENT : VOTRE SÉCURITÉ, ET CELLE DES AUTRES, EST IMPORTANTE. Lisez et observez toutes les instructions. Placez le mode d'emploi dans un endroit sûr pour pouvoir le consulter plus tard. Ne laissez personne n'ayant pas lu ce mode d'emploi assembler, allumer, ajuster ou faire fonctionner ce poêle.



AVERTISSEMENT :

N'UTILISEZ QUE LES PIÈCES DE RECHANGE DU FABRICANT. L'UTILISATION DE TOUTE AUTRE PIÈCE POURRAIT CAUSER DES BLESSURES OU LA MORT. LES PIÈCES DE RECHANGE NE SONT OFFERTES QUE PAR L'ENTREMISE DE L'USINE DIRECTEMENT ET DOIVENT ÊTRE INSTALLÉES PAR UN TECHNICIEN QUALIFIÉ.

INFORMATION DE COMMANDE POUR LES PIÈCES :

ACHAT : LES ACCESSOIRES PEUVENT ÊTRE ACHETÉS CHEZ TOUT DÉTAILLANT GRAND TETON OU DIRECTEMENT DE L'USINE.

INFORMATION AU SUJET DU SERVICE :

Veuillez composer le numéro sans frais 1-866-740-2497/1-800-251-0001 • Fins de semaine/après les heures d'ouverture 423-488-6316 • grandtetoncollection.com

Nos heures d'ouverture sont de 8 h à 17 h, HNE, du lundi au vendredi.

Dans toutes vos communications, veuillez mentionner votre numéro de modèle, date d'achat et description du problème.

GARANTIE LIMITÉE :

L'entreprise garantit que ce produit (hors briques) sera libre d'imperfections matérielles ou de main-d'œuvre, dans le cadre d'une utilisation normale et appropriée en conformité avec les instructions fournies par l'entreprise, pour une période de 5 années suivant la date de livraison à l'acheteur. L'entreprise, à son choix, réparera ou remplacera les produits retournés par l'acheteur à l'usine, frais de transport payés, au cours de cette période d' cinq ans, si l'entreprise constate que le produit présente des imperfections matérielles ou de main-d'œuvre.

Si une pièce est endommagée ou manquante, communiquez avec notre service du soutien technique au 1-866-740-2497/1-800-251-0001.


Acheminez toute réclamation sous garantie à Service Department, Enerco Group, Inc., 4560 W. 160 TH ST., CLEVELAND, OHIO 44135. Incluez votre nom, votre adresse et votre numéro de téléphone, et précisez les détails de votre réclamation. Également, fournissez-nous la date d'achat du produit et le nom et l'adresse du détaillant chez qui vous avez acheté le produit.

Ce qui précède constitue l'intégrité de la responsabilité de l'entreprise. Il n'existe aucune autre garantie expresse ou implicite. Plus précisément, il n'existe aucune garantie d'adaptation à un usage particulier ou de qualité marchande. L'entreprise ne sera en aucun cas responsable des retards causés par les imperfections, des dommages consécutifs ou des frais de tout type encourus sans consentement par écrit. Le coût de réparation ou de remplacement constituera le recours exclusif pour toute violation de la garantie. Il n'existe aucune garantie contre ces violations et aucune garantie implicite découlant du commerce ou de l'usage commercial. La garantie ne s'applique pas aux produits qui ont été réparés ou modifiés à l'extérieur de l'usine, de quelque façon que ce soit, qui, selon notre avis, affecte sa condition ou son fonctionnement.

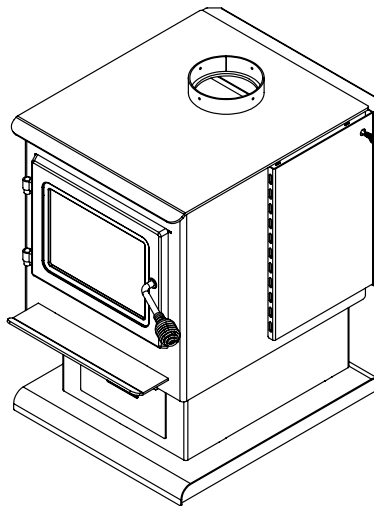
Certains États ne permettent pas l'exclusion ou la limitation des dommages accessoires et consécutifs. Ainsi, la limitation ou exclusion ci-dessus pourrait ne pas s'appliquer à vous. Cette garantie vous confère des droits juridiques particuliers et vous pourriez aussi avoir d'autres droits qui peuvent varier d'un État à l'autre.

Enerco Group, Inc. se réserve le droit d'apporter des changements en tout temps, sans préavis ou obligation, aux couleurs, spécifications, accessoires, matériaux et modèles.

Enerco Group Inc., 4560 W. 160TH ST., CLEVELAND, OHIO 44135 • 1-866-740-2497/1-800-251-0001
© 2023, Enerco Group. Tous droits réservés

	<h1 style="text-align: center;">INSTRUCCIONES DE OPERACIÓN Y MANUAL DEL PROPIETARIO</h1>	Modelo
		T100
<p>LEA CUIDADOSAMENTE LAS INSTRUCCIONES: SU SEGURIDAD ES IMPORTANTE PARA USTED Y PARA LOS DEMÁS. Lea y siga todas las instrucciones. Conserve estas instrucciones en un lugar seguro para futura referencia. No permita que nadie que no haya leído estas instrucciones arme, encienda, ajuste o use la estufa.</p>		

ESTUFA A LEÑA TARGHEE



LAS ESPECIFICACIONES Y EL ASPECTO DEL PRODUCTO PUEDEN CAMBIAR SIN AVISO PREVIO. LA IMAGEN DEL PRODUCTO PUEDE NO SER EXACTA.


HAY QUE CONSULTAR CON LA AUTORIDAD QUE TENGA JURISDICCIÓN (COMO LA MUNICIPALIDAD, DEPARTAMENTO DE BOMBEROS, OFICINA DE PREVENCIÓN DE INCENDIOS, ETC.) ANTES DE LA INSTALACIÓN PARA DETERMINAR SI ES NECESARIO OBTENER UN PERMISO. RESPETE TODAS LAS NORMAS DE CONSTRUCCIÓN LOCALES.

⚠ ADVERTENCIA: SI SALE FUEGO POR LA CHIMENEA:

1. CIERRE EL CONTROL DE ENTRADA DE AIRE EMPUJANDO EL CONTROL DE AIRE HACIA LA ESTUFA.
2. SALGA DE LA CASA O DEL EDIFICIO.
3. LLAME A LOS BOMBEROS.

⚠ CUIDADO: FUEGO POR LA CHIMENEA PODRÍA HACER QUE SE INCENDIEN LAS VIGAS DE LA PARED O LAS VIGAS DEL TECHO QUE SE PENSABA QUE ESTABAN A UNA DISTANCIA SEGURA DE LA CHIMENEA. SI HA SALIDO FUEGO POR LA CHIMENEA, HAGA QUE UN EXPERTO CALIFICADO INSPECCIONE SU CHIMENEA ANTES DE UTILIZARLA DE NUEVO.

⚠ **PELIGRO**



EL **VIDRIO CALIENTE** PROVOCA QUEMADURAS.

NO TOQUE EL VIDRIO HASTA QUE SE HAYA ENFRIADO.

NUNCA PERMITA QUE LOS NIÑOS TOQUEN EL VIDRIO.

- Debido a las altas temperaturas de la superficie, esta unidad debe ubicarse a una distancia adecuada de todos y cada uno de los materiales combustibles. Cumpla con todas las distancias a combustibles, consulte la página 5.
- La estufa armada debe conectarse a una chimenea ventilada al exterior y de acuerdo con las pautas locales. Consulte los requisitos y pautas de instalación desde la página 6 hasta la página 12.
- Úselo únicamente con combustibles permitidos, consulte la página 15. **NO QUEME BASURA.**

ESTE CALEFACTOR A LEÑA TIENE UNA VELOCIDAD DE QUEMADO MÍNIMO BAJA, CONFIGURADA POR EL FABRICANTE, QUE NO DEBE ALTERARSE. LAS REGLAMENTACIONES FEDERALES PROHÍBEN ALTERAR ESTE AJUSTE O UTILIZAR ESTA ESTUFA A LEÑA DE ALGUNA MANERA QUE NO ESTÉ INDICADA EN LAS INSTRUCCIONES DE OPERACIÓN DE ESTE MANUAL.

ADVERTENCIA GENERAL DE PELIGRO:

⚠ EL NO CUMPLIR CON LAS PRECAUCIONES E INSTRUCCIONES QUE VIENEN CON ESTA COCINA PUEDE CAUSAR LA MUERTE, LESIONES GRAVES Y PÉRDIDAS Y DAÑOS MATERIALES DERIVADOS DEL PELIGRO DE INCENDIO, EXPLOSIÓN, QUEMADURAS, ASFIXIA, ENVENENAMIENTO CON MONÓXIDO DE CARBONO, Y/O DESCARGAS ELÉCTRICAS.

⚠ SOLO LAS PERSONAS QUE ENTIENDAN Y PUEDAN SEGUIR LAS INSTRUCCIONES DEBEN USAR O MANTENER ESTA COCINA.

⚠ SI NECESITA AYUDA O INFORMACIÓN ACERCA DE LA ESTUFA, COMO UN MANUAL DE INSTRUCCIONES, ETIQUETAS, ETC., PÓNGASE EN CONTACTO CON EL FABRICANTE.

CUIDADO:

⚠ SI LA ESTUFA O LA TUBERÍA DE LA MISMA BRILLA AL ROJO, LA UNIDAD ESTÁ SOBREALENTANDO. CIERRE LA PUERTA DE LA ESTUFA Y CIERRE INMEDIATAMENTE TODOS LOS CONTROLES DE AIRE (EMPUJE EL CONTROL DE AIRE HACIA "ADENTRO") PARA REDUCIR EL SUMINISTRO DE AIRE Y DISMINUIR LA COMBUSTIÓN.

CUIDADO:

⚠ NO CONECTE UNA ESTUFA A LEÑA A UNA TUBERÍA DE ALUMINIO TIPO B PARA VENTILACIÓN A GAS. Utilice únicamente los sistemas de ventilación de salida especificados en estas instrucciones.

ADVERTENCIA:

⚠ PELIGRO DE INCENDIO, QUEMADURAS, INHALACIÓN Y EXPLOSIÓN. MANTENGA LOS COMBUSTIBLES SÓLIDOS, TALES COMO MATERIALES DE CONSTRUCCIÓN, PAPEL O CARTÓN, A UNA DISTANCIA SEGURA DE LA ESTUFA, TAL COMO SE RECOMIENDA EN LAS INSTRUCCIONES. NUNCA USE LA ESTUFA EN ESPACIOS QUE CONTENGAN O PODRÍAN CONTENER COMBUSTIBLES VOLÁTILES O GASEOSOS, NI PRODUCTOS COMO GASOLINA, SOLVENTES, DILUYENTES DE PINTURA, PARTÍCULAS DE POLVO O PRODUCTOS QUÍMICOS DESCONOCIDOS.

⚠ **ADVERTENCIA:** Este producto puede exponerlo a productos químicos, incluyendo plomo y compuestos de plomo, que de acuerdo con el Estado de California producen cáncer y defectos de nacimiento u otros daños reproductivos. Por mayor información, visite www.P65Warnings.ca.gov

CUIDADO:

⚠ SE REQUIERE UNA CORRIENTE DE AIRE DE 0,05 A 0,06 PULGADAS DE COLUMNA DE AGUA DE PRESIÓN NEGATIVA EN LA CHIMENEA PARA QUE ESTA ESTUFA PUEDA FUNCIONAR CORRECTAMENTE. OTROS ELECTRODOMÉSTICOS, FACTORES AMBIENTALES, TEMPERATURA DE LA CHIMENEA Y LA INSTALACIÓN DE LA CHIMENEA PUEDEN AFECTAR Y ALTERAR LA CORRIENTE DE AIRE. ESTÉ ATENTO AL FUNCIONAMIENTO DE SU ESTUFA.

Índice

ESPECIFICACIONES.....	3	REQUISITOS DE LA CHIMENEA.....	10
PRECAUCIONES DE SEGURIDAD.....	4	VENTILACIÓN.....	13
DISTANCIA A COMBUSTIBLES.....	5	OPERACIÓN.....	14
INSTALACIÓN.....	6	MANTENIMIENTO.....	18
REQUISITOS E INSTALACIÓN DE LOS CONECTORES DE CHIMENEA.....	7	RESOLUCIÓN DE PROBLEMAS.....	21
REQUISITOS ADICIONALES PARA CASA RODANTE.....	9	PIEZAS DE REPUESTO.....	22

ESPECIFICACIONES

Modelo	T100
	TAMAÑO
Tamaño de la estufa An. x La. x Al. [pulgadas (cm)]	20 x 28,75 x 31 (50,8 x 73 x 78,7)
Chimenea	Redonda, de 6,0 pulgadas
	ESPECIFICACIONES DE OPERACIÓN
Combustible	Madera
Tiempo máximo de combustión (mínimo)*	455
	ESPECIFICACIONES DE CUMPLIMIENTO DE SEGURIDAD Y EPA
Conformidad con el EPA***	Certificada
Rango de salida de calor (BTU/HR)	15,447 a 48,573
Emisiones de partículas (g/h)	1,84
Eficiencia general promedio (HHV)	73% (1)(2)
Eficiencia general promedio (LHV)	78% (1)(3)
Eficiencia óptima (LHV)	78% (3)(4)
Energía de transferencia de calor óptima (HHV)	76% (2)(4)(5)
Probada para las normas	UL-1482-11 7ª Edición Estándar para unidades ambientales que usan combustibles sólidos.
	ULC S627-21 Estándar para calefactores ambientales que usan combustibles sólidos.

* Los tiempos máximos de combustión dependen en gran medida del tipo de leña que se queme en la estufa, por lo que estos datos pueden variar.

** AGENCIA DE PROTECCIÓN AMBIENTAL DE LOS ESTADOS UNIDOS. Certificada en el cumplimiento con las normas de emisión de partículas de 2020 utilizando combustible de madera curada.

Referencia de eficiencia de la estufa de leña:

1. Medido según CSA B415.1-10
2. Valor calorífico superior del combustible
3. Valor calorífico inferior del combustible
4. Velocidad de combustión baja y tiempo de combustión prolongado
5. La eficiencia de transferencia de calor representa la capacidad que tiene el artefacto para convertir la energía contenida en los combustibles sólidos en energía transferida a la habitación en forma de calor y no tiene en cuenta las pérdidas químicas durante la combustión.

LEA COMPLETAMENTE ESTE MANUAL ANTES DE INSTALAR Y UTILIZAR SU NUEVA ESTUFA. EL NO SEGUIR ESTAS INSTRUCCIONES PODRÍA CAUSAR DAÑOS MATERIALES, LESIONES O INCLUSO LA MUERTE.

ESTE CALEFACTOR A MADERA NECESITA INSPECCIÓN Y REPARACIÓN PERIÓDICAS PARA SU CORRECTO FUNCIONAMIENTO. LAS REGLAMENTACIONES FEDERALES PROHÍBEN UTILIZAR ESTE CALEFACTOR A LEÑA DE ALGUNA MANERA QUE NO ESTÉ INDICADA EN LAS INSTRUCCIONES DE OPERACIÓN DE ESTE MANUAL.

PRECAUCIONES DE SEGURIDAD

TENGA UN PLAN ESTABLECIDO SOBRE QUÉ HACER EN CASO DE INCENDIO. PÓNGASE EN CONTACTO CON SU DEPARTAMENTO DE BOMBEROS LOCAL PARA OBTENER INFORMACIÓN Y UN PLAN SOBRE QUÉ HACER EN CASO DE INCENDIO DE LA CHIMENEA.

⚠️ ADVERTENCIA: SI SE INSTALA EN UNA CASA RODANTE, NO LA INSTALE EN UN DORMITORIO. OBEDEZCA TODOS LOS REQUISITOS ADICIONALES. CONSULTE LA PÁGINA 9.

⚠️ CUIDADO: NO LA CONECTE NI USE JUNTO CON CUALQUIER OTRO CONDUCTO DE DISTRIBUCIÓN DE AIRE A MENOS QUE SEA APROBADO ESPECÍFICAMENTE PARA DICHAS INSTALACIONES.

⚠️ CUIDADO: NO USE LÍQUIDOS NI PRODUCTOS QUÍMICOS PARA ENCENDER EL FUEGO.

⚠️ CUIDADO: NO QUEME BASURA O LÍQUIDOS INFLAMABLES COMO GASOLINA, NAFTA O ACEITE DE MOTOR.

⚠️ CUIDADO: SE CALIENTA CUANDO ESTÁ FUNCIONANDO. MANTENGA ALEJADOS A LOS NIÑOS, LA ROPA Y LOS MUEBLES. EL CONTACTO PUEDE CAUSAR QUEMADURAS EN LA PIEL.

⚠️ CUIDADO: NO ALMACENE COMBUSTIBLES GASEOSOS, LÍQUIDOS O SÓLIDOS INFLAMABLES CERCA DE ESTA ESTUFA, CERCA DE FUENTES DE ELECTRICIDAD O DE LOS LUGARES DE EXTRACCIÓN DE CENIZAS.

⚠️ CUIDADO: ESTA ESTUFA SÓLO HA SIDO PROBADA CON FUEGOS HECHOS DIRECTAMENTE SOBRE LOS LADRILLOS REFRACTARIOS SUMINISTRADOS EN LA PARTE INFERIOR DE LA CAJA DE FUEGO. NO USE NINGÚN ACCESORIO PARA ELEVAR EL FUEGO.

⚠️ ADVERTENCIA: NUNCA DEJE UNA ESTUFA EN FUNCIONAMIENTO SIN SUPERVISIÓN MIENTRAS LA PUERTA ESTÉ ABIERTA. LA PUERTA SE PUEDE ABRIR SOLAMENTE PARA ENCENDER Y APAGAR EL FUEGO. PARA CERRARLA: GIRE FIRMEMENTE LA MANIJA DE LA PUERTA EN SENTIDO HORARIO HASTA QUE LA PUERTA ESTÉ BIEN TRABADA.

⚠️ ADVERTENCIA: NUNCA DEJE QUE LOS NIÑOS ESTÉN SIN SUPERVISIÓN CERCA DE LA ESTUFA MIENTRAS ESTÉ EN FUNCIONAMIENTO.

⚠️ ADVERTENCIA: NO MODIFIQUE EL SUMINISTRO DE AIRE POR LA CHIMENEA O POR EL CONDUCTO DE ENTRADA PARA INTENTAR AUMENTAR EL FUEGO. EL ÚNICO CONTROL DE AIRE DISEÑADO PARA AJUSTAR LA ENTRADA DE AIRE PRINCIPAL ES EL CONTROL DE AIRE.

MONÓXIDO DE CARBONO

ADVERTENCIA:

⚠️ SI SE UTILIZA SIN SUFICIENTE AIRE DE COMBUSTIÓN Y DE VENTILACIÓN O CON COMBUSTIBLES PROHIBIDOS, ESTA ESTUFA PUEDE PRODUCIR MONÓXIDO DE CARBONO EXCESIVO, UN GAS VENENOSO E INODORO.

ADVERTENCIA:

⚠️ LOS INDICADORES INICIALES DE ENVENENAMIENTO POR MONÓXIDO DE CARBONO PUEDEN PARECER UNA GRIPE, CON DOLOR DE CABEZA, MAREOS Y/O NAUSEA. SI TIENE ALGUNO DE ESTOS SÍNTOMAS, PUEDE SER QUE LA ESTUFA NO ESTÉ FUNCIONANDO CORRECTAMENTE. ¡OBTENGA AIRE FRESCO INMEDIATAMENTE! HAGA QUE REPAREN LA ESTUFA.

ALGUNAS PERSONAS, COMO MUJERES EMBARAZADAS, PERSONAS CON ENFERMEDADES CARDÍACAS O PULMONARES, ANEMIA, AQUELLAS BAJO LA INFLUENCIA DEL ALCOHOL O AQUELLAS QUE SE ENCUENTREN A GRAN ALTITUD, SE VEN MÁS AFECTADAS POR EL MONÓXIDO DE CARBONO QUE OTRAS.

Independientemente de lo segura que sea esta estufa, todo artefacto que queme combustible generará monóxido de carbono. Le recomendamos encarecidamente reducir el riesgo para usted y sus seres queridos, tanto como sea posible, mediante la instalación de un detector de monóxido de carbono. Siga las instrucciones de instalación, operación y mantenimiento proporcionadas por el fabricante de su detector.

DETECTORES DE HUMO

Tenga al menos 1 detector de humo en cada piso de su edificio. Siga las instrucciones de instalación, operación y mantenimiento proporcionadas por el fabricante de su detector. No coloque el detector muy cerca de la estufa para evitar molestias por falsas alarmas. Normalmente, una buena ubicación para la instalación de detectores de humo es cerca de los dormitorios.

PARA OBTENER MÁS INFORMACIÓN DE SEGURIDAD

Para obtener información adicional sobre la seguridad y el funcionamiento de la estufa a leña, comuníquese con la Asociación Nacional de Protección contra Incendios (NFA) por correo a:

NFA, Batterymarch Park, Quincy, MA 02269

o visite el sitio Web de la NFA:

<https://www.nfpa.org/>

DISTANCIA A COMBUSTIBLES

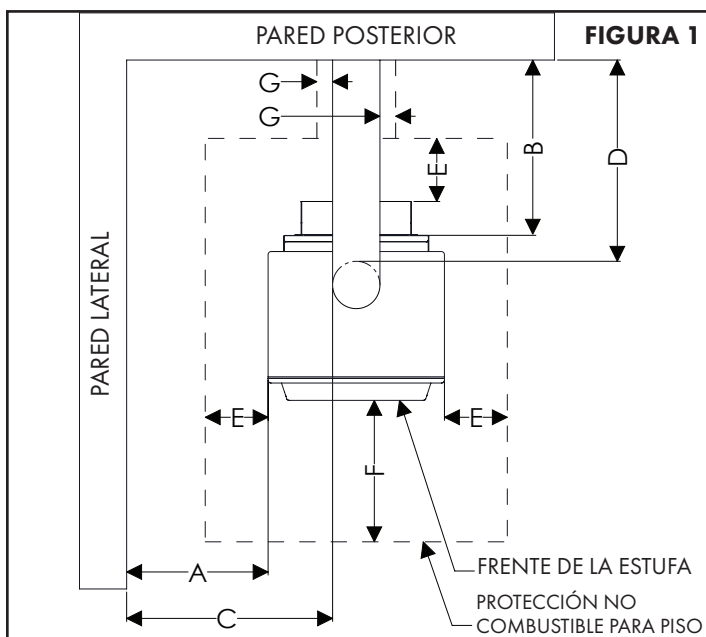
(Consulte la Figura 1 y la Tabla 1)

Las siguientes distancias representan las distancias mínimas entre la estufa y cualquier otro objeto. Ningún objeto debe invadir este espacio. Esto incluye, entre otros, alfombras, muebles, niños, mascotas, ropa, combustible o cualquier otro objeto. Estos espacios libres no se pueden reducir por ningún medio o autoridad reguladora dentro de los Estados Unidos o Canadá.

La estufa no debe estar a menos de 20 pulgadas (51 cm) (A) de una pared lateral y a [U.S. - 8.25 pulgadas (21 cm); Canadá - 12.25 pulgadas (31 cm)] (B) de la pared trasera. La pared de la tubería vertical de ventilación no debe estar a menos de 26.75 pulgadas (68 cm) (C) de cualquier otra pared.

La distancia mínima del piso al techo de la habitación es de 84 pulgadas (213,4 cm).

La distancia mínima entre el techo y la pared de cualquier tubo de ventilación horizontal es de 18 pulgadas (45,7 cm).

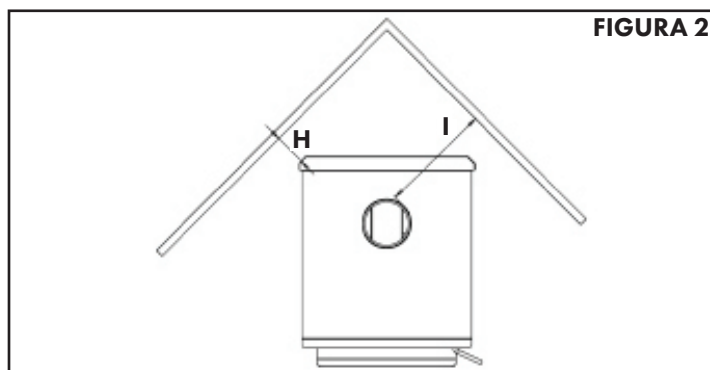


	EE. UU.	CANADÁ
A	20" (51 cm)	20" (51 cm)
B	8,25" (21 cm)	12,25" (31 cm)
C	26.75" (68 cm)	26,75" (68 cm)
D	14" (35,6 cm)	18" (45,8 cm)
E	8" (20,3 cm)	8" (20,3 cm)
F	16" (40,6 cm)	18" (45,7 cm)
G	2" (5,1 cm)	2" (5,1 cm)
H	6,5" (16,5 cm)	8,5" (21,6 cm)
I	16" (40,6 cm)	18" (45,8 cm)

Tabla 1

INSTALACIÓN EN UNA ESQUINA

La estufa no debe estar a menos de [U.S. - 6,5 pulgadas (16,5 cm); Canadá - 8,5 pulgadas (21,6 cm)] (H) de una esquina. La pared de una tubería vertical de ventilación no debe estar a menos de [U.S. - 16 pulgadas (40,6 cm); Canadá - 18 pulgadas (45,8 cm)] (I) de cualquier pared.



ESPACIO EN EL PISO (Consulte la Figura 1 y la Tabla 1)

El protector de piso debe extenderse al menos [en EE. UU.: 16 pulgadas (40,6 cm); en Canadá: 18 pulgadas (45,7 cm)] (F) hacia el frente y al menos 8 pulgadas (20,3 cm) (E) más allá de cada lado de las aberturas de carga de combustible y de eliminación de cenizas. La protección del piso debe extenderse debajo del conector de la chimenea, y extenderse 2 pulgadas (5,1 cm) (G) más allá de cada lado de la tubería.

MATERIAL PARA PISOS

La estufa puede instalarse sobre pisos de concreto sólido o mampostería sólida. Un piso combustible debe protegerse con un tablero de brasas sin aislamiento según CSA B365. Los calefactores ambientales que cumplen con los requisitos de la CAN/ULC-S627 son adecuados para instalarse sobre un piso combustible y no requieren protección de piso contra la radiación.

INSTALACIÓN DE ACCESORIOS

JUEGO DE VENTILADOR (F500308) (No Incluido)

El ventilador puede montarse en la parte posterior de la estufa. Cuando está enchufado y mientras la estufa está encendida, este ventilador propagará aire a lo largo del exterior de la caja de fuego, calentando el aire antes de hacerlo circular hacia el área a calefaccionar.

⚠️ ADVERTENCIA: EL VENTILADOR DEBE ESTAR DESCONECTADO DE LA FUENTE DE ALIMENTACIÓN ANTES DE INSTALARLO. ESTÁ DISEÑADO PARA UTILIZARLO SOLAMENTE CON ESTA ESTUFA.

Con una llave tubo o de extremo abierto de 5/16", remueva los 4 tornillos que sujetan el panel posterior. Fije la caja de montaje del ventilador a la parte posterior de la unidad con 4 de los tornillos No. 10 suministrados. Monte el mecanismo del ventilador en la caja de montaje con los 4 tornillos No. 10 restantes.

escaparse, deberán sellarse adecuada y duraderamente para evitar más fugas que las insignificantes.

INSTALACIÓN

Tome las medidas de su espacio y planifique su sistema de chimenea como se detalla en las siguientes instrucciones.

Esta estufa también se puede instalar en una casa rodante SOLO en EE. UU.. Además de las siguientes instrucciones, revise y cumpla los requisitos obligatorios de la página 9.

⚠ ADVERTENCIA: Si esta estufa no se instala correctamente, puede producir un incendio en la casa. Para reducir el riesgo de incendio, siga las instrucciones de instalación. Comuníquese con los funcionarios locales de edificios o incendios para averiguar las restricciones y los requisitos de inspección de instalación en su área.

HERRAMIENTAS NECESARIAS (NO INCLUIDAS)

- Gafas protectoras
- Guantes
- Lápiz
- Cinta métrica
- Tijeras para hojalata
- Destornillador Phillips o destornillador eléctrico y punta equivalente.
- Un amigo (la estufa es pesada, no intente moverla sin ayuda).

PIEZAS Y MATERIALES NECESARIOS (NO INCLUIDOS)

- Protección del piso (consulte "ESPACIO EN EL PISO" y "MATERIALES PARA PISO" en la página 5)
- Si no se usa en una casa rodante: Tubo de pared simple con conector de chimenea de 24 MSG (calibre mínimo estándar) negro o de acero azul 26 MSG, de 6 pulgadas (152 mm) de diámetro.
Si se usa en una casa rodante: consulte REQUISITOS PARA CASA RODANTE
- Chimenea fabricada con certificación UL 103HT (EE. UU.)/ULC-S629 (CAN) o chimenea de mampostería con revestimiento aprobado. Debe tener un diámetro mínimo de 6 pulgadas (152 mm) hasta un máximo de 10 pulgadas (254 mm), o un área máxima de 85 pulgadas cuadradas (550 cm²) específicamente para chimenea de mampostería con revestimiento aprobado. Realice la instalación según las instrucciones del fabricante de la chimenea.
- Cemento para horno (el fabricante recomienda el código 78 de Rutland o equivalente)

⚠ CUIDADO: CUALQUIER DESVIACIÓN O ALTERACIÓN DE ESTAS INSTRUCCIONES DE INSTALACIÓN PUEDE CAUSARLE DAÑOS A USTED, LA ESTUFA, SU CHIMENEA Y SU HOGAR. SU GARANTÍA PUEDE ANULARSE. LEA Y SIGA TODAS LAS INSTRUCCIONES. Comuníquese con Grand Teton si tiene comentarios, inquietudes o preguntas.

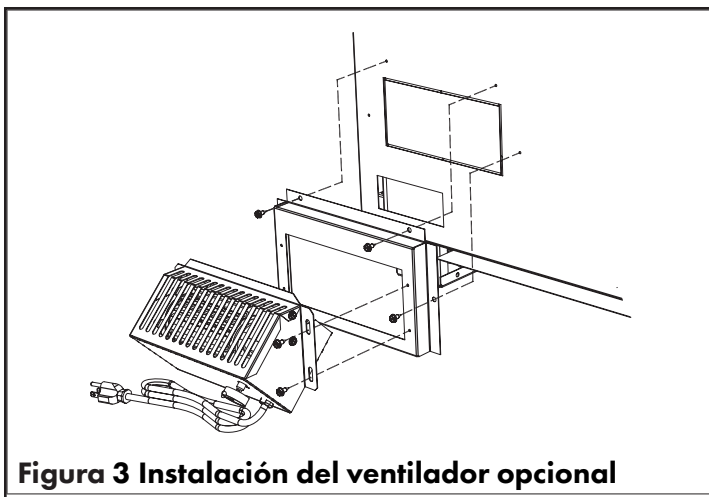


Figura 3 Instalación del ventilador opcional

CONSIDERACIONES ELÉCTRICAS

El motor del ventilador requiere 120 V CA, 60 Hz y consumirá 0,55 A de corriente. Si alguna vez planea usar el ventilador, la parte posterior de la estufa deberá estar a no más de 65 pulgadas (165 cm) de un tomacorriente, ya que este es el largo del cable de alimentación. Instale el cable de alimentación de manera que no entre en contacto con la superficie de la estufa para que no se sobrecaliente y se dañe. Mantenga el cable de alimentación por lo menos a 12 pulgadas de las superficies de la estufa.

JUEGO DE AIRE EXTERIOR (F500313)

La falta de aire y la formación de hielo pueden hacer que la estufa eche humo en la habitación. Se requiere ventilación adecuada de un juego de aire exterior para evitar esto. Las tomas de aire en el exterior de la estructura deberán:

— Incluir compuertas que:

1. Permitan el cierre al 100 %; y
2. Están provistas de un indicador que muestre la posición aproximada de la compuerta.

— Estar diseñadas para:

1. Evitar que caiga material en cualquier área debajo de la estructura;
2. Evitar la entrada de roedores desde el exterior;
3. Permitir cero espacio libre a la construcción combustible; y
4. Las cubiertas protectoras no deben permitir el acceso directo a la abertura de entrada.

Cuando un calefactor esté construido con una o más entradas para proporcionar aire de combustión desde el exterior, todas las aberturas, incluidas la puerta de carga de combustible, la puerta del depósito de cenizas y los espacios libres entre las piezas o componentes dónde el aire ambiente pueda filtrarse hacia el intercambiador de calor, o por dónde los productos de combustión puedan

UBICACIÓN DE LA ESTUFA

Al decidir la ubicación de la estufa, elija un lugar que favorezca la distribución de calor más eficiente posible en toda la casa. Instale la estufa en la habitación donde pase la mayor parte del tiempo, y en la habitación más espaciosa que tenga. Una estufa instalada en una sala de estar abierta tendrá una mayor eficiencia que una instalada en un sótano o al aire libre, a temperaturas bajo cero. Quemar madera seca también hará que la estufa sea más eficiente que quemar madera húmeda.

Al decidir la posición y la orientación de la estufa, asegúrese de respetar todo el espacio libre para los combustibles, coloque la estufa en un piso liso y nivelado y no elevado, y si utiliza el ventilador, ubique la estufa dentro las 65 pulgadas (165 cm) de distancia a un tomacorriente eléctrico de 120 V.

⚠ ADVERTENCIA: NO LA INSTALE CERCA DE SALIDAS O ESCALERAS. ASEGÚRESE DE QUE LA ESTUFA NO PUEDA BLOQUEAR UNA EVACUACIÓN EN CASO DE INCENDIO.

REQUISITOS E INSTALACIÓN DE LOS CONECTORES DE CHIMENEA

Si tiene alguna pregunta sobre las opciones de ventilación de su estufa, comuníquese con:

- El fabricante, Enerco Group, al 1-866-740-2497/ 1-800-251-0001. Nuestro horario de atención es de 8:00 AM. a 5:00 PM, hora estándar del este, de lunes a viernes.
- La Asociación Nacional de Protección contra Incendios (NFPA), y solicite una copia de las últimas ediciones de las normas NFPA 211 y 908. La dirección postal de la NFPA es Battery March Park, Quincy, MA 02269.

⚠ CUIDADO: ESTA ESTUFA NO DEBE INSTALARSE EN UN DORMITORIO O BAÑO.

⚠ CUIDADO: NO LA INSTALE EN UN HUECO.

El conector de la chimenea debe ser un tubo para estufa que cumpla con estos requisitos:

- Tener un diámetro de 6 pulgadas (152 mm)
- Tener pared simple
- Estar hecho de acero azul 24 MSG (calibre mínimo estándar).

Inserte el borde rizado de la tubería de la chimenea en el escape de la estufa, en la parte superior de la misma. Asegure la tubería en su lugar con tres tornillos para láminas de metal a través de tres orificios espaciados uniformemente.

Cualquier tubo conector adicional o codos deben instalarse con el extremo rizado apuntando hacia la estufa (no apuntando hacia la chimenea) y deben asegurarse con tres tornillos para láminas de metal espaciados uniformemente.

Deben respetarse las siguientes precauciones con las tuberías de ventilación:

- Se requieren como mínimo 2 pies (61 cm) de tubería vertical a la salida de la estufa, antes de que el sistema pueda tener una sección horizontal de ventilación.
- NOTA: No instale la chimenea directamente en la salida del artefacto. Se requiere un conector de chimenea (tubo de salida de humos) a menos que el artefacto esté aprobado específicamente para ese tipo de instalación.
- El tubo de ventilación horizontal debe tener una pendiente hacia abajo (al alejarse de la chimenea) de 1/4 de pulgada (0,6 cm) por cada pie (0,3 m).
- La separación mínima entre el punto más alto de la tubería de ventilación horizontal y el techo debe ser de 18 pulgadas (45,7 cm)
- Se permite un máximo de dos (2) codos para la instalación de ventilación. No exceda los dos codos, ya que podría causar una corriente de aire inadecuada y provocar una fuga de humo. Cuando se utilizan codos, la mejor forma de proteger la integridad de la corriente de aire es utilizando codos ondulados no ajustables.

⚠ CUIDADO: LAS JUNTAS DE TODAS Y CADA UNA DE LAS CONEXIONES DE CUALQUIER SISTEMA DE VENTILACIÓN (SALIDA DE COMBUSTIÓN Y TUBERÍA OPCIONAL DE ENTRADA DE AIRE) DEBEN SELLARSE CON SILICONA PARA ALTA TEMPERATURA.

⚠ CUIDADO: UN CONECTOR DE CHIMENEA NO DEBE PASAR A TRAVÉS DE UN ÁTICO O ESPACIO DE TECHO, UN ARMARIO O ESPACIO CERRADO SIMILAR, UN PISO O UN TECHO. DONDE SE DESEE PASAR A TRAVÉS DE UNA PARED O PARTICIÓN DE MATERIAL COMBUSTIBLE, LA INSTALACIÓN DEBERÁ CUMPLIR CON CAN/CSA-B365, NORMA DE INSTALACIÓN PARA ELECTRODOMÉSTICOS Y EQUIPOS DE COMBUSTIBLE SÓLIDO.

⚠ CUIDADO: NO CONECTE ESTA UNIDAD A UNA CHIMENEA QUE ALIMENTE A OTRO APARATO.

Donde desee atravesar una pared o partición de material combustible, la instalación debe cumplir con las instrucciones del fabricante de la chimenea.

NOTA: En Canadá, la instalación debe cumplir con CAN/CSA-B365 al atravesar un material combustible, tal como se muestra en la Figura 4 de la página siguiente.

TÉCNICAS PARA ATRAVESAR UNA PARED APROBADAS POR NFPA 211 (SOLO PARA EE. UU.)

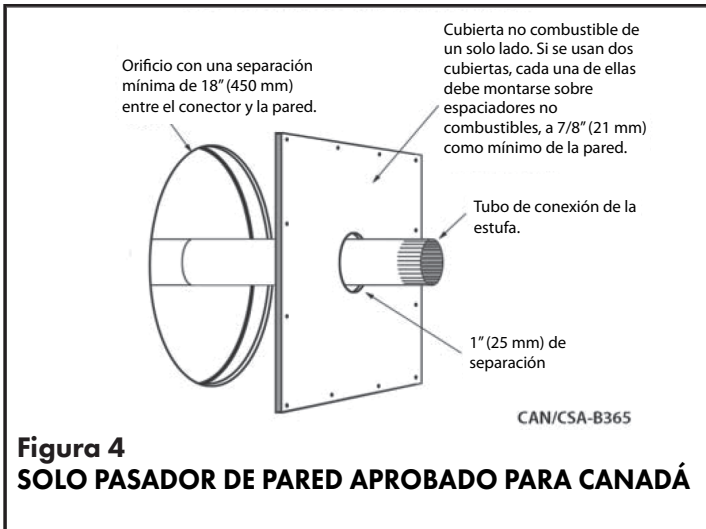


Figura 4
SOLO PASADOR DE PARED APROBADO PARA CANADÁ

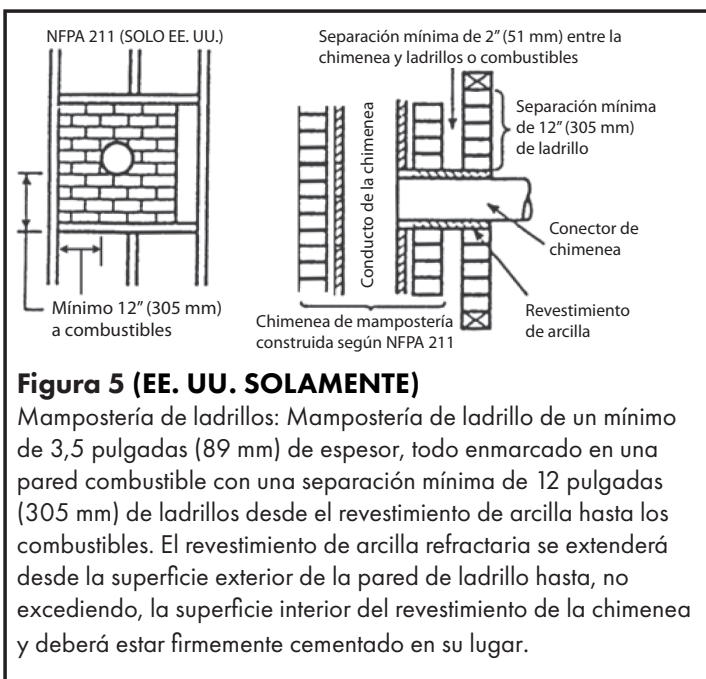


Figura 5 (EE. UU. SOLAMENTE)
Mampostería de ladrillos: Mampostería de ladrillo de un mínimo de 3,5 pulgadas (89 mm) de espesor, todo enmarcado en una pared combustible con una separación mínima de 12 pulgadas (305 mm) de ladrillos desde el revestimiento de arcilla hasta los combustibles. El revestimiento de arcilla refractaria se extenderá desde la superficie exterior de la pared de ladrillo hasta, no excediendo, la superficie interior del revestimiento de la chimenea y deberá estar firmemente cementado en su lugar.

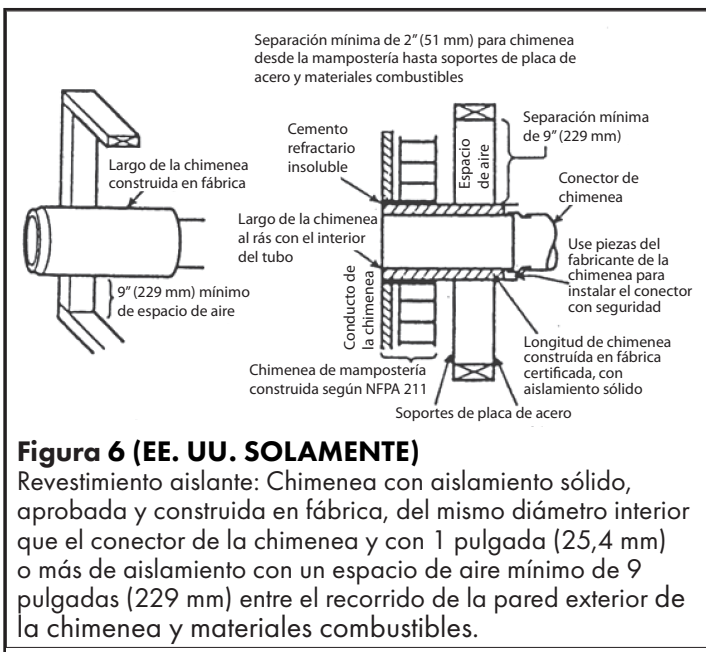


Figura 6 (EE. UU. SOLAMENTE)
Revestimiento aislante: Chimenea con aislamiento sólido, aprobada y construida en fábrica, del mismo diámetro interior que el conector de la chimenea y con 1 pulgada (25,4 mm) o más de aislamiento con un espacio de aire mínimo de 9 pulgadas (229 mm) entre el recorrido de la pared exterior de la chimenea y materiales combustibles.

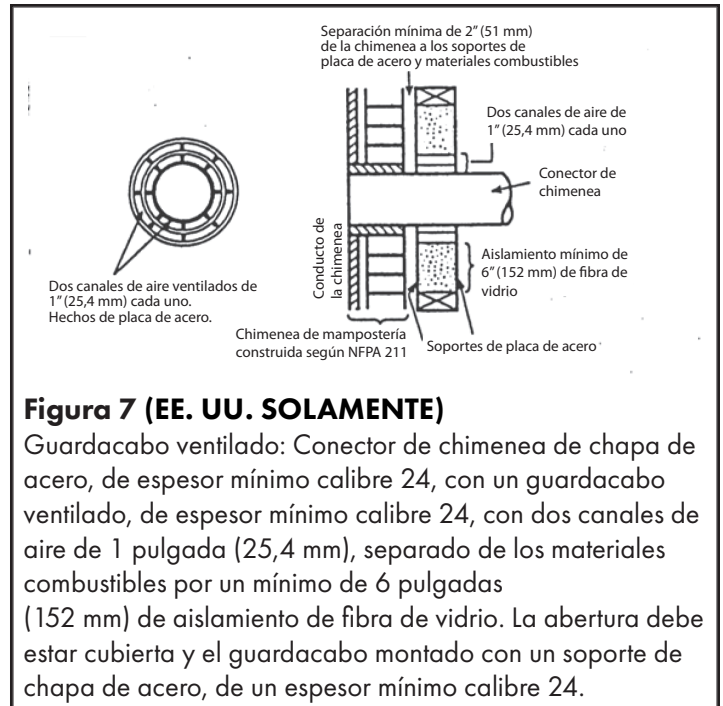


Figura 7 (EE. UU. SOLAMENTE)
Guardacabo ventilado: Conector de chimenea de chapa de acero, de espesor mínimo calibre 24, con un guardacabo ventilado, de espesor mínimo calibre 24, con dos canales de aire de 1 pulgada (25,4 mm), separado de los materiales combustibles por un mínimo de 6 pulgadas (152 mm) de aislamiento de fibra de vidrio. La abertura debe estar cubierta y el guardacabo montado con un soporte de chapa de acero, de un espesor mínimo calibre 24.

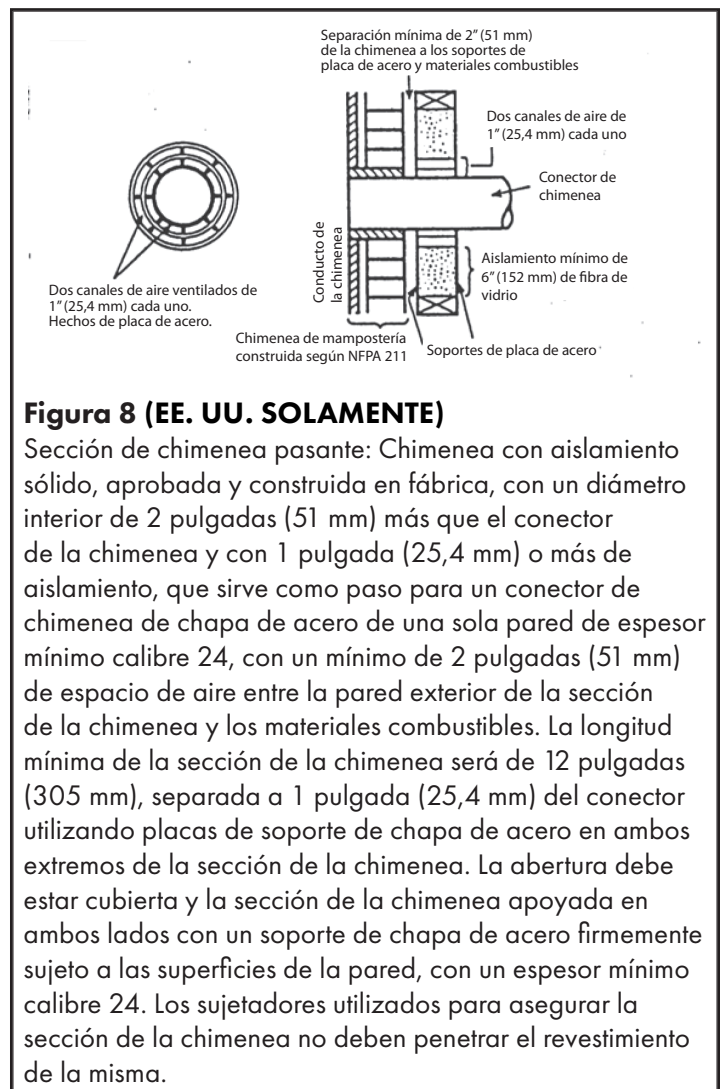


Figura 8 (EE. UU. SOLAMENTE)
Sección de chimenea pasante: Chimenea con aislamiento sólido, aprobada y construida en fábrica, con un diámetro interior de 2 pulgadas (51 mm) más que el conector de la chimenea y con 1 pulgada (25,4 mm) o más de aislamiento, que sirve como paso para un conector de chimenea de chapa de acero de una sola pared de espesor mínimo calibre 24, con un mínimo de 2 pulgadas (51 mm) de espacio de aire entre la pared exterior de la sección de la chimenea y los materiales combustibles. La longitud mínima de la sección de la chimenea será de 12 pulgadas (305 mm), separada a 1 pulgada (25,4 mm) del conector utilizando placas de soporte de chapa de acero en ambos extremos de la sección de la chimenea. La abertura debe estar cubierta y la sección de la chimenea apoyada en ambos lados con un soporte de chapa de acero firmemente sujeto a las superficies de la pared, con un espesor mínimo calibre 24. Los sujetadores utilizados para asegurar la sección de la chimenea no deben penetrar el revestimiento de la misma.

REQUISITOS ADICIONALES PARA CASA RODANTE

NOTA: Solo aprobado para casas móviles de EE. UU., No aprobado para casas móviles en Canadá.

Todas las instalaciones en casas rodantes deben realizarse de acuerdo con la norma de seguridad para casas prefabricadas (HUD), CFR 3280, parte 24.

PIEZAS Y MATERIALES NECESARIOS (NO INCLUIDOS)

⚠ CUIDADO: ES IMPORTANTE UTILIZAR ÚNICAMENTE LOS COMPONENTES ESPECIFICADOS. EL USO DE COMPONENTES QUE NO ESTÉN ESPECIFICADOS PUEDE CAUSARLE MAYOR RIESGO PARA USTED, A SU ESTUFA Y A SU HOGAR.

- Cable a tierra #8.
- Dos (2) dispositivos de conexión a tierra aprobados por el Código Eléctrico Nacional (NEC).
- Una arandela que penetre la pintura, como una arandela tipo estrella.

Todos los componentes del sistema de ventilación que se enumeran a continuación deben ser del tipo HT y estar aprobados por UL 103 HT. Realice la instalación según las instrucciones del fabricante de la chimenea.

- Tubo para estufa, de 6 pulgadas (152 mm) de diámetro y que esté hecho de acero negro 24 MSG (calibre mínimo estándar) o de acero azul 26 MSG.
- Guardacabo interno apto para usar en casas rodantes.
- Guardacabo externo apto para usar en casas rodantes.
- Supresor de chispas apto para usar en casas rodantes.
- Tapajuntas de techo apto para usar en casas rodantes.
- Tapa de chimenea que no permite la entrada de una varilla de 1/2 pulgada (13 mm) de diámetro.
- Una chimenea construida en fábrica, de 15 pies (4,6 m) de altura mínima, que cumpla con la norma ULC-S629, norma para chimeneas construidas en fábrica de hasta 650 °C.

REQUISITOS ADICIONALES DE INSTALACIÓN

⚠ CUIDADO: HAY QUE MANTENER LA INTEGRIDAD ESTRUCTURAL DEL PISO, LA PARED, EL TECHO INTERNO Y EL TECHO EXTERNO DE LA CASA RODANTE.

- La estufa debe instalarse en una superficie nivelada que pueda soportar el peso de la misma.
 - La estufa debe atornillarse a la superficie nivelada para que quede permanentemente asegurada y no pueda moverse, inclinarse o dañar los sellos de ventilación.
 - La estufa debe conectarse a tierra con un cable de conexión # 8, y terminar en cada extremo con un dispositivo de conexión a tierra aprobado por el Código Eléctrico Nacional (NEC). Se debe instalar una arandela que penetre la pintura, como una arandela tipo estrella, donde se conecte al marco de acero de la casa rodante.
 - Es obligatorio usar aire de combustión exterior al instalar esta estufa a leña en una casa rodante o prefabricada.
 - El tubo de conexión para aire exterior sobresale del centro inferior de la estufa. Enerco Group, Inc. dispone de un juego (F500313) diseñado para conectar esta unidad al aire exterior de combustión.
 - Si no puede usar el juego de conexión de aire exterior F500313 en la instalación de su estufa, se pueden usar otros materiales, siempre que se sigan las siguientes reglas:
 - El conducto debe tener un diámetro mínimo de 4 pulgadas (10,2 cm).
 - El conducto debe ser exclusivamente de metal, no de otros materiales como plástico.
- El extremo de este conducto en el exterior de la casa rodante debe cumplir con los siguientes requisitos:
- El orificio del conducto debe estar equipado con una protección para evitar el ingreso de roedores.
 - El orificio del conducto debe mantenerse libre de hojas, nieve, hielo u otros desechos que puedan restringir el suministro de aire cuando el equipo esté en funcionamiento.
- Cuando la chimenea salga de la casa rodante por un lugar que no sea a través del techo, y salga por un punto a 7 pies (2,1 m) o menos sobre el nivel del suelo en el que se ubique la casa rodante, se debe proporcionar un resguardo o método para encerrar la chimenea desde el punto de salida hasta una altura de hasta 7 pies. Las aberturas en un protector de chimenea no deben permitir:
 - La entrada de una varilla de 3/4 de pulgada (19,1 mm) de diámetro; y
 - El contacto con la chimenea mediante una varilla de 1/2 pulgada (12,7 mm) de diámetro insertada a través de la abertura a una distancia de 4 pulgadas (102 mm).

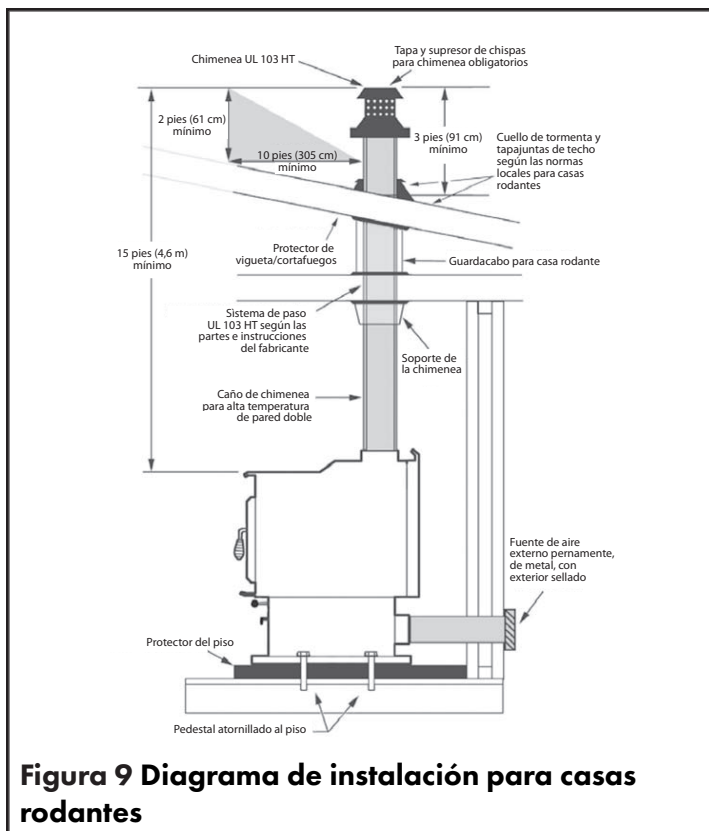


Figura 9 Diagrama de instalación para casas rodantes

- Las juntas de todas y cada una de las conexiones de ambos sistemas de ventilación (el de aire de entrada y el de salida de combustión) deben sellarse con silicona de alta temperatura.
- La chimenea debe cumplir con todas las normas y requisitos aplicables de la autoridad competente.
- Hay que remover la chimenea para cualquier transporte de la casa rodante, y volver a instalarla siguiendo todas las instrucciones después del transporte.

REQUISITOS DE LA CHIMENEA GENERALES

⚠ CUIDADO: NO IMPROVISE AL INSTALAR EL SISTEMA DE VENTILACIÓN. HAGA INSPECCIONAR LOS SISTEMAS DE CHIMENEAS EXISTENTES ANTES DE USARLOS Y ASEGÚRESE DE QUE TODOS LOS SISTEMAS DE CHIMENEAS NUEVOS ESTÉN INSTALADOS DE ACUERDO CON LAS ESPECIFICACIONES DEL FABRICANTE Y SOLAMENTE CON COMPONENTES APROBADOS POR UL (ULC SI ESTÁ EN CANADÁ).

Con el fin de consumir todos los productos de combustión y también establecer una corriente de aire que proporcione oxígeno para la combustión, la estufa debe instalarse junto con uno de los siguientes sistemas aprobados de chimenea:

- Una chimenea que cumpla con los requisitos para chimeneas Tipo HT 2100 °F (1149 °C) en la Norma para Chimeneas, construida en fábrica, tipo residencial y para equipo de calefacción de edificios, UL 103 o ULC S629 o una chimenea de mampostería aprobada por la norma, con revestimiento del conducto del aire.
- El tamaño de la chimenea no debe ser menor o mayor tres veces mayor que la sección transversal área del cuello de la chimenea.
- Un hogar existente que sea estructuralmente sólido, con revestimiento del conducto de aire (baldosas de arcilla para proteger la chimenea), que tenga su compuerta cerrada y sellada y haya sido aprobado para su conversión por un experto calificado.

Todo sistema de chimenea:

- Debe cumplir con los siguientes requisitos mínimos:
 - Tener al menos 15 pies (4,6 m) de altura, o como máximo 45 pies (14 m), medidos desde la parte superior de la estufa hasta la punta de la tapa de la chimenea.
 - Debe estar al menos a 3 pies por encima del techo, medidos desde el punto más alto de contacto con el techo y la punta de la tapa de la chimenea.
 - Debe estar al menos a 2 pies (61 cm) por encima del punto más alto de la pendiente del techo dentro de los 10 pies (305 cm) horizontalmente.
 - Debe poder removerse fácilmente a una altura de 13-1/2 pies (4,1 m) sobre el nivel del suelo o menor y reinstalarse sin el uso de herramientas o instrucciones especiales. El montaje de la chimenea deberá estar provisto de un medio de sujeción mecánica para asegurar la chimenea a la caja de soporte del techo.
- Debe tener una presión negativa de 0,05 a 0,06 pulgadas de columna de agua para crear una corriente de aire apropiada.
- No debe estar hecho de material de tubería para estufa. En su lugar, solo se pueden utilizar las tres estructuras especificadas anteriormente.
- No debe instalarse con el propósito de ventilar un sótano o bodega.
- No se debe utilizar para esta estufa si también se usa para cualquier otro electrodoméstico.
- No debe estar obstruido por los tubos que conectan a la chimenea, como se ilustra en la Figura 10 a continuación.

Comuníquese con las autoridades locales de construcción para conocer los métodos de instalación aprobados y los permisos y/o inspecciones necesarios.

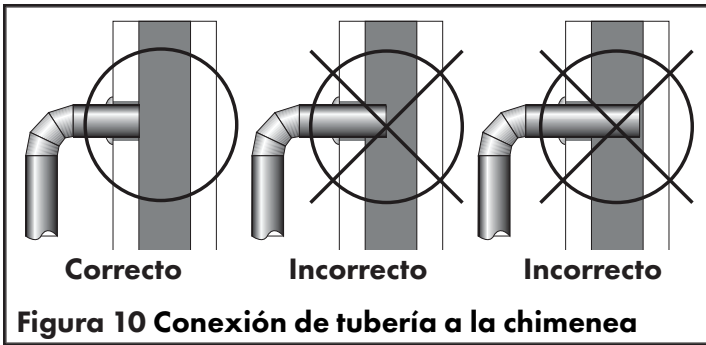


Figura 10 Conexión de tubería a la chimenea

INSTRUCCIONES Y DIAGRAMA DE CHIMENEA DE MAMPOSTERÍA CON REVESTIMIENTO

Esta estufa está diseñada para ser ventilada a través de una chimenea de mampostería con revestimiento (baldosas de arcilla para proteger la chimenea) que cumpla con las normas de construcción locales, las normas contra incendios y la última edición de NFPA 211 de EE. UU. o la CAN/CSA-B365.

1. Limpie la chimenea de mampostería revestida aprobada por la norma.
2. Inspeccione el revestimiento de la chimenea y realice las reparaciones necesarias.
3. Si la tubería de conexión de la estufa a la chimenea de mampostería se hace a través de una pared combustible, consulte con un albañil calificado o con un distribuidor de chimeneas. Por razones de seguridad, la instalación debe ser realizada por un profesional calificado. La instalación debe cumplir con las reglamentaciones establecidas por las normas contra incendio y las normas de construcción locales.

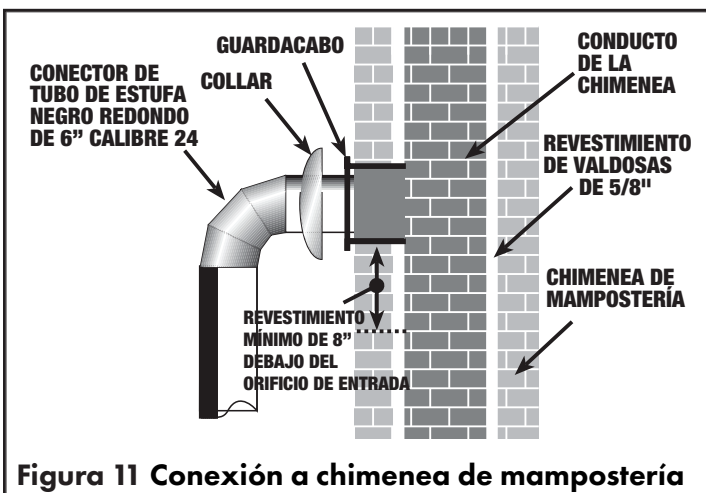


Figura 11 Conexión a chimenea de mampostería

Si existe una abertura en la base de la chimenea, debe cerrarse herméticamente.

INSTRUCCIONES Y DIAGRAMA DE CHIMENEA FABRICADA

⚠ ADVERTENCIA: NO USE TUBOS DE CONEXIÓN DE PARED SIMPLE COMO CHIMENEA.

Esta estufa está diseñada para usarse con una chimenea fabricada con certificación UL-103 o ULC S629 (CAN) o con una chimenea de mampostería revestida aprobada UL-1777 (US)/ULC S635 o ULCS640 (CAN). No todas las chimeneas fabricadas están certificadas por UL-103 o ULC S629 (CAN). Los centros para el hogar, las ferreterías, las tiendas de suministros de HVAC y los sitios web de los fabricantes de chimeneas podrán proporcionarle tubos para estufa que cumplan con estas normas.

Esta certificación indica que la chimenea está clasificada para altas temperaturas, de hasta 2100 °F (1149 °C).

Utilice únicamente componentes que provengan del mismo fabricante. No mezcle marcas de componentes para el mismo sistema de ventilación.

Las siguientes figuras ilustran varios métodos y requisitos para usar una chimenea y tuberías de conexión fabricadas para ventilar la estufa a leña.

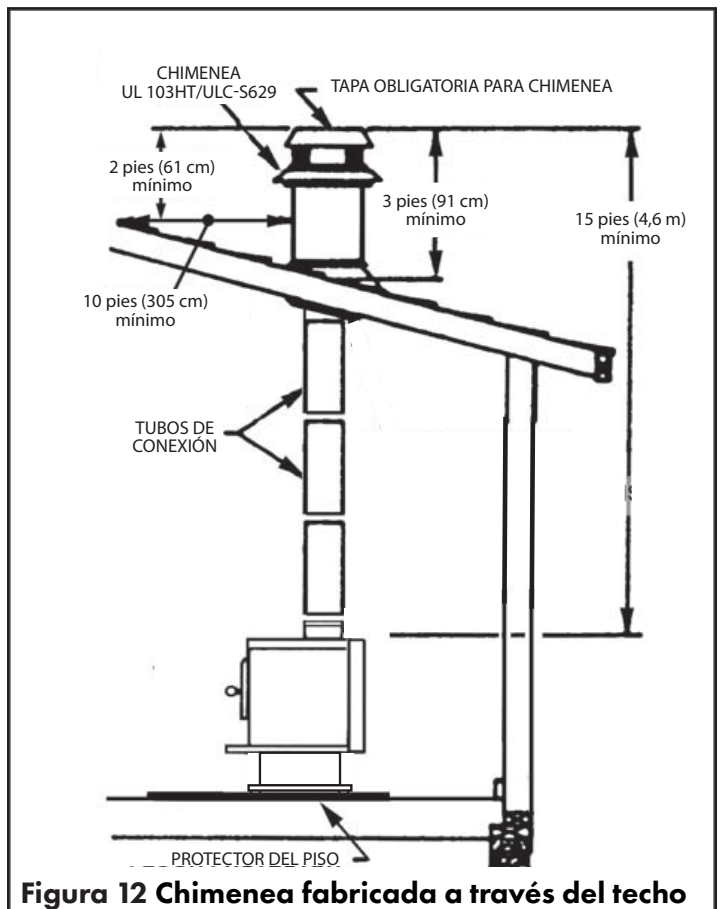


Figura 12 Chimenea fabricada a través del techo

INSTRUCCIONES Y DIAGRAMA PARA HOGARES EXISTENTES

Esta estufa se puede ventilar a través de un hogar con revestimiento en el conducto de aire (baldosas de arcilla para proteger la chimenea) solo si se cumplen todas las advertencias, requisitos y procesos a continuación. La instalación debe realizarse de modo que el sistema pueda desmontarse periódicamente para su limpieza e inspección.

⚠ ADVERTENCIA: NO INTENTE VENTILAR UNA ESTUFA EN UN HOGAR POR CUALQUIER MÉTODO NO CUBIERTO EXPLICATIVAMENTE O QUE NO CUMPLA CON LAS NORMAS LOCALES. SI LO HACE ANULARÁ LA GARANTÍA DE ESTA ESTUFA Y PODRÍA CREAR UN PELIGRO EN SU HOGAR.

⚠ CUIDADO: HAGA QUE UN EXPERTO CALIFICADO INSPECCIONE EL HOGAR Y APRUEBE LA CONVERSIÓN PARA USARLO CON UNA ESTUFA A LEÑA.

NOTA: MUCHOS HOGARES ESTÁN DISEÑADOS PARA RESISTIR EL CONTACTO CON MATERIALES COMBUSTIBLES EN EL PISO, PERO PUEDEN NO HABER SIDO PROBADOS PARA USARLOS CON UNA ESTUFA A LEÑA. LA CONEXIÓN DE UNA ESTUFA A LEÑA A LA CHIMENEA DE UN HOGAR PUEDE ANULAR LA GARANTÍA EXISTENTE DEL HOGAR.

1. Inspeccione la chimenea. Cualquier pregunta relacionada con la condición de la chimenea puede dirigirse a un contratista calificado, ingeniero calificado, albañil competente, deshollinador certificado o inspector experto. La chimenea debe ser:
 - Estructuralmente sólida.
 - Equipada con un revestimiento interior en buen estado. **Si la chimenea no tiene revestimiento o está dañada, no se puede convertir para su uso con esta estufa a leña.**
 - Se debe poder asegurar y sellar el regulador de garganta y (si existen) el orificio de limpieza u otras aberturas en la base de la chimenea, las que podrían causar pérdidas en el sello de presión.
2. Si la tubería de conexión de la estufa a la chimenea de mampostería se hará a través de una pared combustible, consulte con un albañil calificado o con un distribuidor de chimeneas. Por razones de seguridad, la instalación debe ser realizada por un profesional calificado. La instalación debe cumplir con las reglamentaciones establecidas por las normas contra incendio y las normas de construcción locales.

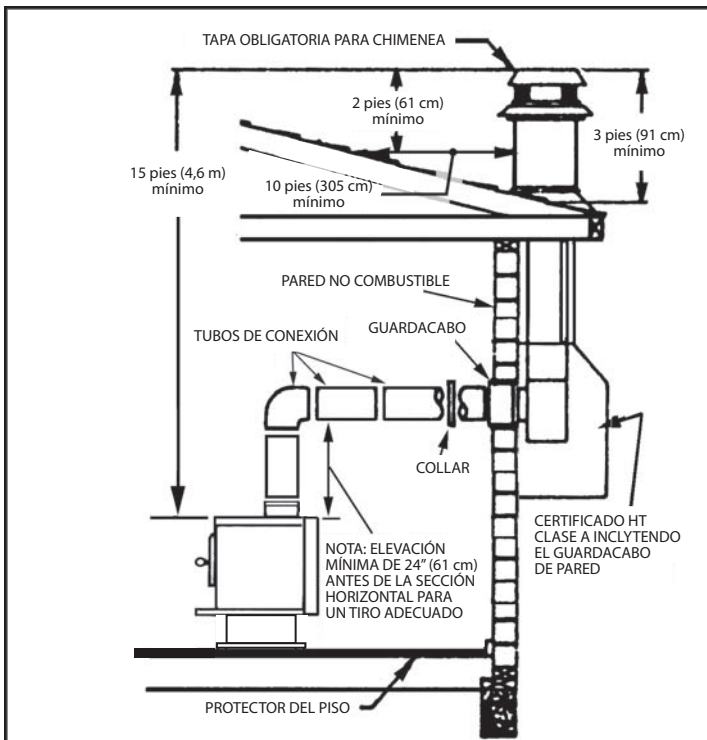


Figura 13
Chimenea fabricada a través de pared de mampostería

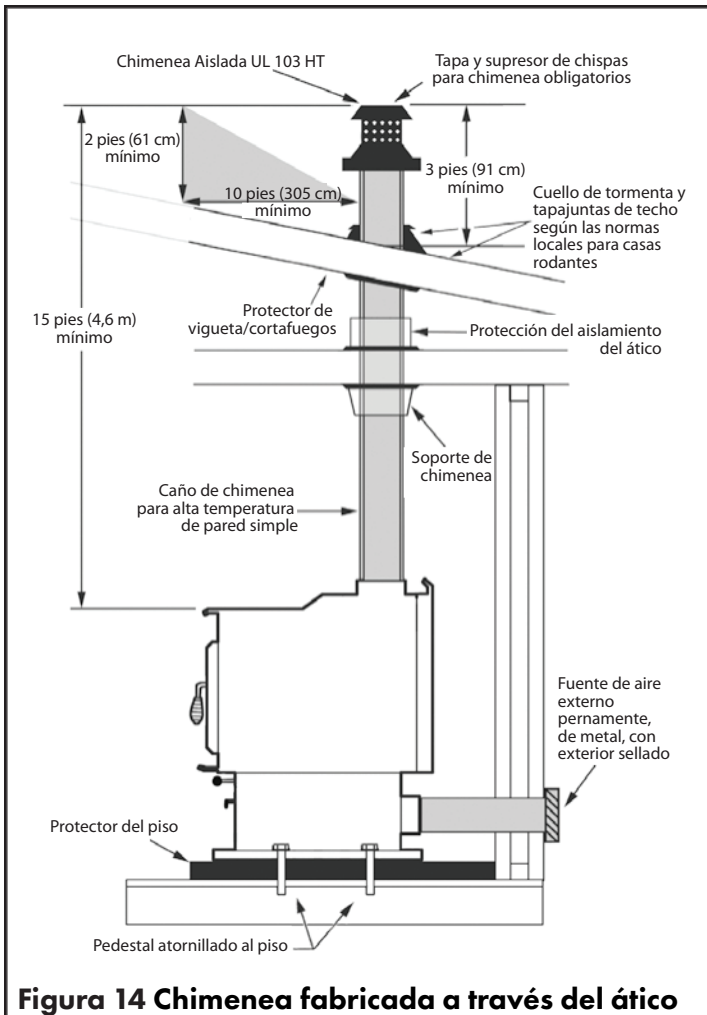


Figura 14 Chimenea fabricada a través del ático

3. El tubo de la estufa debe entrar en la chimenea al menos 8 pulgadas por encima de la parte inferior del revestimiento de la chimenea. La distancia entre el techo y el borde de la tubería de ventilación más cercana al techo debe ser de al menos 46 cm (18 pulgadas).
4. Instale un guardacabo en la abertura. El guardacabo debe:
 - Estar hecho de arcilla.
 - Tener al menos 5/8 de pulgada (16 mm) de espesor.
 - Ser más grande que el tubo de la estufa, de modo que deje aproximadamente un espacio de aire de 1/2 pulgada (13 mm). Este es un requisito para que la tubería pueda expandirse y contraerse de manera segura cuando se calienta y se enfría.
 - Estar ubicado de manera que esté rodeado por 12 pulgadas (305 mm) de mampostería de ladrillo o 24 pulgadas (61 cm) de piedra.
 - Debe estar instalado de manera que su extremo quede al ras con el revestimiento de la chimenea (consulte la Figura 11 en la página 10).
5. Asegure el guardacabo con mortero refractario.
6. Instale el tubo de la estufa de manera que quede lo más adentro posible del guardacabo, sin que sobresalga del revestimiento de la chimenea (nuevamente, consulte la Figura 11 en la página 10).
7. Para mantener la continuidad de la hermeticidad en el lugar donde la chimenea u otro componente penetre el sistema de barrera de aire, selle el espacio de aire entre el tubo de la estufa y el guardacabo con sellador para alta temperatura o lana cerámica.
8. Usando masilla para alta temperatura, lana cerámica o cemento para horno, asegure y selle el regulador de garganta y (si existen) el orificio de limpieza u otras aberturas en la base de la chimenea.

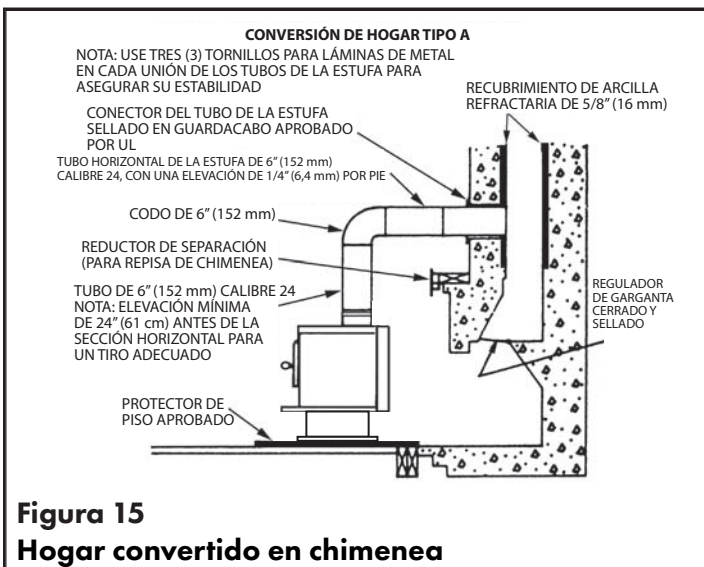


Figura 15
Hogar convertido en chimenea

VENTILACIÓN

IMPORTANTE: asegúrese de que nada bloquee el movimiento del aire alrededor de la estufa para que haya suficiente aire de reposición para permitir que la estufa funcione correctamente cuando no se use un kit de aire exterior.

La entrada de aire a la estufa ocurre en tres lugares:

1. El orificio de aire principal inferior (LPAO), detrás de la puerta.
2. La entrada de aire principal.
3. Los tubos de aire de la etapa secundaria.

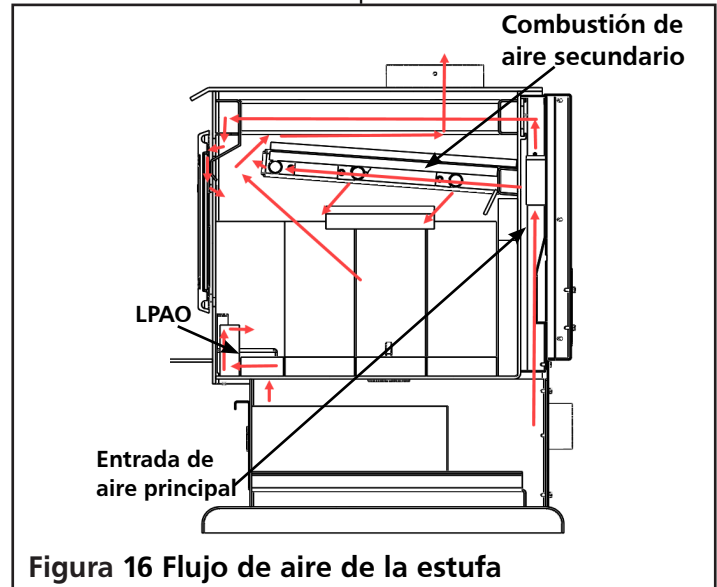


Figura 16 Flujo de aire de la estufa

- Al presionar el control de aire (en la parte lado de la estufa), se cierra el orificio de entrada de aire primario dentro de la estufa, en su parte posterior.
- Al alejar el control de entrada de aire primario de la estufa, aumenta el tamaño de la abertura para que el aire ingrese a la cámara de combustión.

En general, cuanto más se extraiga el control de aire, más se calentará la estufa. La mejor posición para el control de aire dependerá de las especificaciones de la chimenea, el clima y el combustible.

Para encontrar la mejor posición para el control de aire en su instalación, encienda la estufa como se detalla en este manual. Durante 15 a 20 minutos, tire del control de aire de la estufa para abrir completamente la entrada de aire principal. En la zona de combustión de aire secundario (parte superior de la cámara de combustión) debería poder ver que se produce una combustión secundaria. Empuje el control de aire hacia la estufa hasta el nivel de calor deseado. Si la combustión secundaria desaparece, reiniciela tirando del control de aire de la estufa. Mueva el control de aire al nivel de calor deseado, empujándolo gradualmente hacia adentro y asegurándose de que la combustión secundaria aún se mantenga. La combustión de aire secundario es importante para maximizar la transferencia de calor de la estufa hacia usted, y para minimizar la cantidad de humo que pueda condensarse dentro de su chimenea y formar creosota.

NOTA: LA COMBUSTIÓN SECUNDARIA MINIMIZA, PERO NO ELIMINA, LA FORMACIÓN Y ACUMULACIÓN DE CREOSOTE EN LA CHIMENEA.

⚠ ADVERTENCIA: Hay que proporcionar aire de combustión adicional desde el exterior si estas u otras indicaciones sugieren que el aire de infiltración es inadecuado:

- El equipo a combustible sólido no aspira de manera constante, desprende humo, quema mal o tiene corrientes de aire inversas, ya sea con combustión presente o no.
- El equipo a combustible existente en la casa, como hogares u otros aparatos de calefacción, tiene olor, no funciona correctamente, sale humo cuando se abre, o tiene corrientes de aire inversas, ya sea con combustión presente o no.
- Cualquiera de los síntomas anteriores se alivia abriendo ligeramente una ventana en un día tranquilo (sin viento).
- La casa está equipada con una barrera de vapor bien sellada y ventanas herméticas y/o tiene dispositivos eléctricos que extraen el aire de la casa.
- Existe condensación excesiva en las ventanas en invierno y
- La casa cuenta con un sistema de ventilación.

CONSIDERACIONES ACERCA DE LA CORRIENTE DE AIRE DE LA CHIMENEA

El tiro (corriente de aire) es la fuerza que mueve el aire desde el artefacto hacia arriba, a través de la chimenea. La cantidad de tiro en su chimenea depende de la longitud de la chimenea, de la geografía local, de las obstrucciones cercanas y de otros factores. Un tiro demasiado elevado podría provocar temperaturas excesivas en el artefacto. Un tiro inadecuado podría provocar un retroceso en la habitación y "taponamiento" de la chimenea. Un tiro inadecuado también hará que el artefacto filtre humo hacia la habitación, a través de las uniones entre el conector de la chimenea y el artefacto. Un fuego incontrolable o una muy alta temperatura indican un tiro excesivo. Tenga en cuenta la ubicación de la instalación: En los valles, o si la unidad se instala cerca de otras casas vecinas, podría producirse una inversión de tiro u otros problemas de calidad del aire. Para lograr y mantener el tiro:

- Una vez que se haya quemado el combustible y haya terminado de usar la estufa, abra completamente la entrada de aire principal tirando del control de aire de la estufa.

- Cumpla estrictamente con todos los requisitos de la chimenea en las páginas 7 a 12.
- Selle todas y cada una de las conexiones de las tuberías de admisión y de escape.
- Evite los codos y los tramos horizontales largos de tubería.
- Limpie la tubería de escape con frecuencia.
- Caliente la chimenea haciendo un gran fuego cada vez que comience a usar la estufa. **NO PRODUZCA EXCESO DE LLAMA EN LA ESTUFA. NO ESTÁ PERMITIDO SOBRECARGAR LA ESTUFA.**
- Si otro aparato está expulsando aire al exterior y creando una presión negativa, el aire puede ser aspirado por la chimenea en la dirección inversa en lugar de salir de la estufa. Anule ese efecto abriendo una puerta o ventana cercana.

LADRILLOS REFRACTARIOS

Los ladrillos refractarios que recubren la cámara de combustión ya deben estar instalados en su estufa a leña. Inspeccione los ladrillos refractarios dentro de su estufa para asegurarse de que no se hayan movido o roto durante el envío o la instalación.

⚠ CUIDADO: NUNCA HAGA FUNCIONAR LA ESTUFA SIN LOS LADRILLOS REFRACTARIOS EN SU LUGAR COMO SE MUESTRA.

ANTES DE ENCENDERLA, EMPUJE LOS LADRILLOS REFRACTARIOS HACIA LA PARTE POSTERIOR DE LA ESTUFA. NO DEBE QUEDAR NINGUNA SEPARACIÓN ENTRE LOS LADRILLOS.

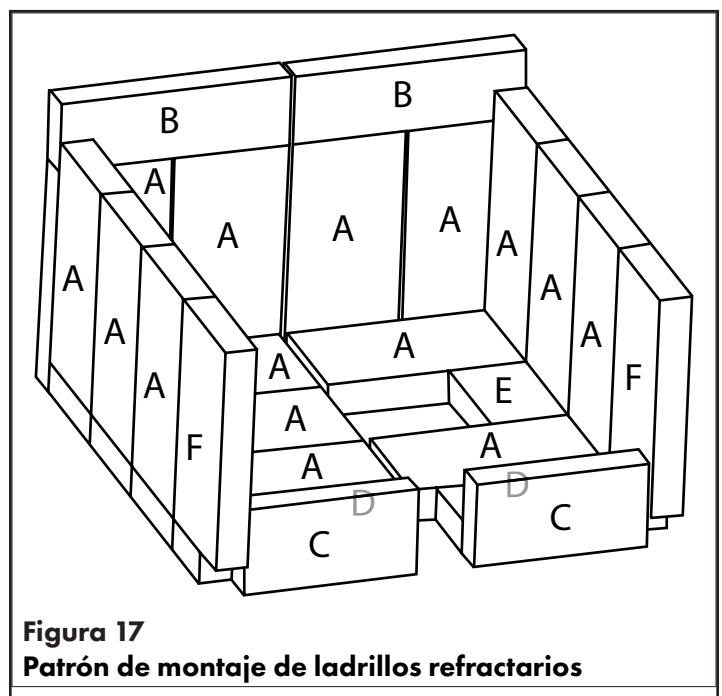


Figura 17
Patrón de montaje de ladrillos refractarios

NOTA: AL REMOVER O INSTALAR LOS LADRILLOS REFRACTARIOS, ASEGÚRESE DE NO DAÑARLOS.

Una vez que su estufa a leña esté instalada correctamente, para encender un fuego eficaz necesitará una buena leña (la leña correcta en la cantidad correcta) y buenas prácticas de encendido. La siguiente sección le ayudará a obtener la mejor eficiencia de su estufa a leña.

OPERACIÓN

⚠ CUIDADO: NUNCA INTENTE UTILIZAR CUALQUIERA DE LOS SIGUIENTES MATERIALES COMO COMBUSTIBLE.

- Madera sin curar (madera verde, húmeda o recién cortada);
- Madera tratada a presión;
- Productos de papel, cartón o tableros de partículas;
- Madera mojada con agua salada u otros materiales previamente saturados en agua salada;
- Basura;
- Restos de animales o abono;
- Recortes de césped o desechos de jardín;
- Residuos de productos derivados del petróleo,
- Materiales que contienen
 - asbestos
 - plásticos
 - caucho (incluidos los neumáticos)
- Productos derivados del petróleo como
 - pintura
 - diluyente de pintura
 - productos de asfalto

La quema de estos materiales puede provocar la liberación de vapores tóxicos o hacer que el calentador sea ineficaz y provocar humo.

COMBUSTIBLE APROBADO:

⚠ CUIDADO: QUEME SOLAMENTE MADERA SIN TRATAR. OTROS MATERIALES, COMO CONSERVANTES PARA MADERA, LÁMINAS METÁLICAS, CARBÓN, PLÁSTICO, BASURA, AZUFRE O ACEITE PUEDEN DAÑAR LA ESTUFA.

La leña natural es el único combustible aprobado para usar con estas estufas a leña. Cumpla con las especificaciones a continuación:

- Madera dura que se haya secado al aire (curado) durante al menos 1 año. La madera debidamente curada es más oscura, tiene grietas en los extremos de las vetas y suena hueca cuando se golpea contra otra pieza de madera.
- La madera debe tener entre 41 cm (16 pulgadas) de largo.
- Si un tronco tiene un diámetro mayor a 6 pulgadas, deberá partirlo.
- El contenido de humedad de la madera debe ser inferior al 19%-25% del peso del tronco.

- Los troncos recién cortados pueden tener un contenido de humedad (CM) del 80% o más, según la especie. Dado que la madera se encoge y también puede partirse, torcerse o cambiar de forma a medida que se va secando, la mayor parte de la madera se seca antes de usarla. El secado al aire o "acondicionado" es el método más común utilizado para curar la leña. En la mayor parte de los Estados Unidos, el contenido mínimo de humedad que se puede obtener generalmente en el secado al aire es aproximadamente del 12 al 15 por ciento. La mayor parte del material que se seca al aire suele tener un contenido de humedad más cercano al 20 por ciento cuando se usa.
- Para probar su leña, simplemente presione las puntas dentro de la madera y espere la medición. Recuerde, no se limite a clavar el medidor en los extremos de la leña. Para obtener la lectura más precisa, parta la madera por el medio y pruebe en el centro. El centro del tronco contendrá la mayor cantidad de humedad.

⚠ CUIDADO: Si intenta usar madera húmeda o sin curar podría causar:

- **Dificultades de encendido.**
- **Acumulación acelerada de creosota, lo que provocaría un incendio en la chimenea.**
- **Combustión incompleta.**
- **Bajo rendimiento de calor.**
- **Ennegrecimiento del vidrio de la puerta.**

Se pueden usar algunos iniciadores de fuego al principio para ayudar a que la madera se encienda. Ejemplos de iniciadores de fuego potencialmente efectivos incluyen trozos de papel, cartón, aserrín, cera y productos similares, comercializados explícitamente con el propósito de iniciar fuegos. Quemar estos materiales puede liberar vapores tóxicos, haciendo que la estufa sea ineficaz y provocando humo. Investigue y comprenda las pautas y los riesgos de los iniciadores de fuego que elija.

⚠ CUIDADO: NUNCA USE GASOLINA, COMBUSTIBLE PARA LINTERNA TIPO GASOLINA, QUEROSENO, LÍQUIDO ENCENEDOR PARA CARBÓN, O LÍQUIDOS SIMILARES PARA INICIAR O "REFRESCAR" UN FUEGO EN ESTA ESTUFA. MANTENGA TODOS LOS LÍQUIDOS DE ESTE TIPO ALEJADOS DE LA ESTUFA MIENTRAS ESTÉ EN USO.

No almacene leña o materiales para encender el fuego sobre la protección del piso, debajo de la tubería de la estufa o en cualquier lugar dentro de las distancias mínimas a las superficies combustibles especificadas en la página 5.

La madera debe almacenarse en un área seca y bien ventilada.

PRECAUCIONES DE UTILIZACIÓN

⚠ CUIDADO: FUEGO POR LA CHIMENEA PODRÍA HACER QUE SE INCENDIEN LAS VIGAS DE LA PARED O LAS VIGAS DEL TECHO QUE SE PENSABA QUE ESTABAN A UNA DISTANCIA SEGURA DE LA CHIMENEA. SI HA SALIDO FUEGO POR LA CHIMENEA, HAGA QUE UN EXPERTO CALIFICADO INSPECCIONE SU CHIMENEA ANTES DE UTILIZARLA DE NUEVO.

1. Inspeccione el tubo de la estufa al comienzo de la temporada y al menos una vez cada 60 días. Reemplace inmediatamente el tubo de la estufa si se oxida o filtra humo dentro de la habitación.
2. Utilice únicamente el combustible aprobado.

⚠ ADVERTENCIA: LA QUEMA DE COMBUSTIBLES QUE NO SEAN LEÑA, EN PARTICULAR CARBÓN MINERAL Y VEGETAL, PUEDE PROVOCAR LA EMISIÓN DE CONCENTRACIONES PELIGROSAS DE MONÓXIDO DE CARBONO EN LA VIVIENDA. POR ESTAS RAZONES, NUNCA QUEME CARBÓN MINERAL O VEGETAL EN ESTA ESTUFA DE LEÑA. INSTALAR UN DETECTOR DE MONÓXIDO DE CARBONO Y CONOCER LOS SÍNTOMAS DEL ENVENENAMIENTO POR MONÓXIDO DE CARBONO PUEDE AYUDAR A REDUCIR EL RIESGO DE PROBLEMAS RELACIONADOS CON EL MONÓXIDO DE CARBONO.

3. Inspeccione la puerta de vidrio. *CUIDADO:* No la use si el vidrio está rajado o roto. Nunca cargue combustible por encima de la altura del ladrillo refractario que haría que la estufa se sobrecalentara.
4. No coloque combustible contra el vidrio.

⚠ ADVERTENCIA: ESTA UNIDAD FUE DISEÑADA PARA FUNCIONAR SOLO CON LA PUERTA CERRADA Y FIRMEMENTE ASEGURADA. EL FUNCIONAMIENTO DE ESTA UNIDAD CON LA PUERTA CERRADA SIN APRETAR O ABIERTA PERMITIRÁ QUE UN EXCESO DE AIRE DE COMBUSTIÓN LLEGUE AL FUEGO Y HARÁ QUE LA UNIDAD ALCANCE TEMPERATURAS PELIGROSAMENTE ALTAS. LAS ALTAS TEMPERATURAS DE LA UNIDAD O "SOBRECALENTAMIENTO" PUEDEN DAÑAR LA MISMA, ANULAR LA GARANTÍA O ENCENDER LA CREOSOTA ACUMULADA ANTERIORMENTE EN LA CHIMENEA POR FUEGOS DE COMBUSTIÓN LENTA.

5. No obstruya la entrada de aire inferior (parte inferior de la cámara de combustión, junto a la puerta) o los tubos de aire secundarios (a lo largo de la parte superior de la cámara de combustión).

CURADO DE LA PINTURA

NOTA: DEBIDO A LAS ALTAS TEMPERATURAS DE FUNCIONAMIENTO, ESTA ESTUFA UTILIZA UNA PINTURA ESPECIAL PARA ALTAS TEMPERATURAS. PARA QUE LA PINTURA SE ADHIERA A LA ESTUFA POR MUCHO TIEMPO, SIGA EL SIGUIENTE PROCEDIMIENTO:

1. Encienda un pequeño fuego en la estufa durante 20 minutos.
2. Enciende otro fuego pequeño en la estufa que dure 20 minutos.
3. Enciende un fuego final de tamaño mediano en la estufa que dure 20 minutos.

El proceso de curado de la pintura se ha completado. Proporcione ventilación cruzada para eliminar los olores o el humo causados por el proceso de curado.

FUEGO ALTO CON ENCENDIDO EN FRÍO

Para encender el fuego de una estufa "fría":

1. Inspeccione que todos los sellos de la puerta, el cajón de cenizas y el tapón de cenizas estén en buenas condiciones. Cierre el cajón de la ceniza. Tape el orificio de ceniza. Inspeccione la chimenea y el conector de la misma, consulte la sección de mantenimiento en la página 18.

⚠ CUIDADO: NO USE LA ESTUFA CON EL VIDRIO ROTO.

⚠ ADVERTENCIA: EL CONECTOR DE LA CHIMENEA DEBE ESTAR EN BUENAS CONDICIONES Y MANTENERSE LIMPIO PARA UTILIZAR ESTA ESTUFA DE FORMA SEGURA.

2. Corte y parta aproximadamente 15 trozos de leña de 16 pulgadas de largo. La mitad de ellos debe tener aproximadamente $\frac{3}{4}$ de pulgada cuadrada, el resto $\frac{1}{2}$ pulgada cuadrada. La leña debe estar muy seca y pesar aproximadamente 3,2 libras.

⚠ ADVERTENCIA: NO USE UNA REJILLA NI ELEVE EL FUEGO. HAGA EL FUEGO A LEÑA DIRECTAMENTE EN LA BASE. NO LA HAGA FUNCIONAR CON LA PUERTA PRINCIPAL ABIERTA. USAR LA ESTUFA CON LA PUERTA PRINCIPAL ABIERTA PRODUCIRÁ UN SOBRECALENTAMIENTO.

3. Corte y parta aproximadamente 15 trozos de leña de encendido de 16 pulgadas de largo. La mitad de las piezas deben tener una sección transversal más grande (aproximadamente 1½ pulgadas cuadradas) y el resto una sección transversal más pequeña (aproximadamente 1 pulgada cuadrada) con un peso aproximado de 5,5 libras. Estos se pueden partir de piezas de leña más grandes que tengan 19-25% de humedad (base seca). El peso total del combustible de encendido debe ser de aproximadamente 8,7 libras.

⚠ CUIDADO: CUANDO SE OCUPE DE LA ESTUFA, USE SIEMPRE ROPA IGNÍFUGA Y ANTEOJOS PROTECTORES.

4. Organice las piezas de combustible de encendido en una cuadrícula, como se sigue: Coloque dos de las piezas más grandes muy juntos, de adelante hacia atrás. A continuación, dos piezas más del mismo tamaño de izquierda a derecha, juntos y hacia la parte trasera de la estufa. Coloque unas siete de las piezas pequeñas de adelante hacia atrás, en la parte superior de la cuadrícula. Coloque el resto del combustible de encendido de lado, en la parte superior.
5. A continuación, coloque las piezas de leña en un patrón de cuadrícula de alternancia similar, con las piezas más grandes primero, seguidas por las más pequeñas, con una capa de tres piezas de izquierda a derecha como se muestra, con seis o siete piezas en la parte superior. Asegúrese de mantener las piezas juntas y hacia la parte trasera de la estufa apiladas hacia arriba. Ver figura 18.



Figura 18

Combustible de encendido y la leña encima. El combustible de encendido en la parte inferior, apilado en la caja de combustión, desde la sección transversal más grande en la parte inferior hasta la más pequeña en la parte superior.

⚠ ADVERTENCIA: NUNCA DEJE UNA ESTUFA EN FUNCIONAMIENTO SIN SUPERVISIÓN MIENTRAS LA PUERTA ESTÉ ABIERTA. LA PUERTA SE PUEDE ABRIR SOLAMENTE PARA ENCENDER Y APAGAR EL FUEGO. PARA CERRARLA: GIRE FIRMEMENTE LA MANIJA DE LA PUERTA EN SENTIDO HORARIO HASTA QUE LA PUERTA ESTÉ BIEN TRABADA. NO GOLPEE LA PUERTA AL CERRARLA.

6. Para comenzar, asegúrese de que el control de aire esté completamente hacia afuera.
7. Con un soplete de propano, encienda la parte frontal superior de la leña, justo debajo de los tubos de aire, entre los tubos medio y trasero. Use el soplete durante unos 60 segundos.
8. Cierre la puerta después de operar la antorcha.
9. Verifique que el control de aire siga en la posición de completamente abierto.
10. Deje el ventilador apagado para la quema de leña.

PARA AGREGAR LA CARGA DE COMBUSTIBLE DE FUEGO ALTO

1. Cuando la leña y el combustible de encendido se hayan consumido aproximadamente 2/3, rastille las brasas y los trozos de combustible restantes hacia adelante hasta que estén distribuidos y nivelados por igual.
2. Coloque el trozo de combustible más grande en el centro de la cámara de combustión, con dos trozos más pequeños a cada lado y bien juntos, asegurándose de que haya espacio en ambos lados de la carga para permitir un buen flujo de aire
3. Coloque los trozos restantes encima de los trozos inferiores embalado herméticamente también. Todos los trozos de combustible deben estar orientados de adelante hacia atrás. El control de aire debe mantenerse al máximo de apertura (completamente hacia afuera).
4. Cierre la puerta y después de aproximadamente 6 minutos de colocar la carga alta, encienda el ventilador en alto.

FUNCIONAMIENTO Y ABASTECIMIENTO DE COMBUSTIBLE A FUEGO BAJO (CARGA SOBRE CARBONES DESPUÉS DEL FUNCIONAMIENTO A FUEGO ALTO)

1. Al final del fuego alto (alrededor de 3.7 libras restantes), aplastar y rastrille las brasas restantes hacia adelante hasta que estén igualmente distribuidas y niveladas en la cámara de combustión.
2. Coloque los tres trozos más grandes primero, deben estar juntos y con pequeños espacios entre ellos. Coloque los trozos restantes encima de los primeros de la misma manera dejando huecos en la madera.
3. Cierre la puerta inmediatamente y abra el control de aire al máximo de apertura (completamente hacia afuera).
4. Deje el control de aire al máximo hasta unos 4 minutos. Luego empuje el control de aire a la posición Media (7 mm fuera del cierre total) durante 10 minutos antes de mover el control de aire a la posición más baja posible.
5. Aproximadamente 30 minutos después de cargar el nivel bajo, encienda el ventilador en la configuración baja.

FUNCIONAMIENTO Y ABASTECIMIENTO DE COMBUSTIBLE A FUEGO MEDIANO (CARGA SOBRE CARBONES DESPUÉS DEL FUNCIONAMIENTO A FUEGO ALTO)

1. Al final del fuego alto (alrededor de 3.7 libras restantes), aplastar y rastrille las brasas restantes hacia adelante hasta que estén igualmente distribuidas y niveladas en la cámara de combustión.
2. Coloque los tres trozos más grandes primero, deben estar juntos y con pequeños espacios entre ellos. Coloque los trozos restantes encima de los primeros de la misma manera dejando huecos en la madera.
3. Cierre la puerta inmediatamente y abra el control de aire al máximo de apertura (completamente hacia afuera).

4. Deje el control de aire al máximo hasta unos 10 minutos. Luego empuje el control de aire a la posición Media (7 mm fuera del cierre total) por el resto de la quemadura.
5. Además, encienda el ventilador soplador a nivel bajo cuando el obturador de aire esté configurado en Medio.

⚠ CUIDADO: SI LA ESTUFA O LA TUBERÍA DE LA MISMA BRILLA AL ROJO, LA UNIDAD ESTÁ SOBRECALENTANDO. CIERRE LA PUERTA DE LA ESTUFA Y CIERRE INMEDIATAMENTE TODOS LOS CONTROLES DE AIRE (EMPUJE EL CONTROL DE AIRE HACIA "ADENTRO") PARA REDUCIR EL SUMINISTRO DE AIRE Y DISMINUIR LA COMBUSTIÓN.

⚠ ADVERTENCIA: SI SALE FUEGO POR LA CHIMENEA:

1. **CIERRE EL CONTROL DE ENTRADA DE AIRE EMPUJANDO LA PALANCA DE CONTROL DE AIRE HACIA LA ESTUFA.**
2. **SALGA DE LA CASA O DEL EDIFICIO.**
3. **LLAME A LOS BOMBEROS.**

PARA MINIMIZAR DE LA FORMACIÓN DE CREOSOTAS

Consulte "MANTENIMIENTO" en la página 19 para obtener una explicación sobre la formación y eliminación de creosota. Para lentificar la acumulación de creosota dentro de su chimenea, siga los siguientes consejos:

- Queme solo el combustible recomendado "COMBUSTIBLE APROBADO" en la página 15.
- No mezcle madera verde o húmeda con el combustible aprobado. La madera que no se enciende sino que sisea, chisporrotea y se ennegrece, está definitivamente muy húmeda. Causará una acumulación acelerada de creosota en la chimenea y también reducirá la salida de calor de la misma.
- Solo agregue hasta la mitad de la capacidad de combustible de la cámara de combustión a la vez, para garantizar una combustión completa y reducir la cantidad de humo generado.
- Cada vez que agregue combustible, abra completamente la entrada de aire principal, tirando del control de aire de la estufa.
- Periódicamente durante el día, abra completamente la entrada de aire principal, tirando del control de aire de la estufa durante unos minutos. Esto ayudará a mantener la chimenea a una temperatura cálida y por consiguiente reducirá la condensación de creosota.

DESECHO DE LAS CENIZAS

Siempre que tenga una acumulación de ceniza dentro de la caja de fuego o en la bandeja de cenizas a una altura de 3 a 4 pulgadas:

1. Una vez que las cenizas se hayan enfriado, saque el tapón de cenizas y barra con cuidado las cenizas hacia la bandeja de cenizas.
2. Vuelva a colocar el tapón de cenizas, remueva la bandeja de cenizas y vacíela en un recipiente adecuado.
NOTA: También puede comprar la aspiradora para cenizas, modelo # AV65GALB/AV65GALSS.
3. Debe colocar las cenizas en un recipiente de metal con una tapa hermética y trasladarla al aire libre inmediatamente. El recipiente cerrado de cenizas debe colocarse sobre un piso no combustible o en el suelo, bien alejado de todos los materiales combustibles, hasta su desecho final. Si las cenizas se desechan enterrándolas en el suelo o se dispersan localmente, deben conservarse en el recipiente cerrado hasta que todas las brasas se hayan enfriado completamente.
4. Los demás desechos no deben colocarse en contenedores de cenizas.

MANTENIMIENTO

MANTENIMIENTO DIARIO

- Inspeccione la cámara de combustión en busca de acumulación de cenizas. Elimine el exceso de ceniza y siga las instrucciones a continuación con respecto a su eliminación.

MANTENIMIENTO MENSUAL

- Verifique que no haya acumulación de polvo en el ventilador (si está instalado). Verifique que la manija de la puerta funcione correctamente y asegúrese de que la puerta aún esté sellando herméticamente.
- Inspeccione el sistema de la chimenea y su conector, y límpiela si fuera necesario. Aunque la limpieza puede ser necesaria menos de una vez al mes, SIEMPRE inspeccione el sistema de ventilación una vez al mes para disminuir la posibilidad de un incendio en la chimenea.
- Inspeccione visualmente los paneles de fibra de cerámica en la cámara de combustión en busca de grietas y/o roturas. Las grietas leves en la superficie no afectarán el rendimiento de los paneles, pero los paneles agrietados o rotos deben reemplazarse de inmediato.

- Inspeccione visualmente las tuberías de combustión secundaria en busca de grietas, deformaciones y corrosión. Aunque estos tubos son de acero inoxidable, funcionan a temperaturas muy altas y eventualmente pueden desgastarse por el uso normal.

MANTENIMIENTO ANUAL

- Revise todas las juntas (ventana y puerta) para ver si están desgastadas y para asegurarse de que aún mantengan un sello hermético. Consulte la página siguiente por instrucciones.
- Limpie a fondo el sistema de chimenea y su sistema de conexión. Dado que el conector de la chimenea generalmente está expuesto a las altas temperaturas del escape, inspecciónelo cuidadosamente para detectar fugas y puntos débiles. Reemplace cualquier pieza sospechosa. En el caso de un sistema de chimenea directo a través del techo, asegúrese de remover los paneles de fibra cerámica antes de empujar el cepillo deshollinador hacia el interior de la cámara de combustión. Golpear con fuerza la parte superior del tablero con un cepillo o varilla de limpieza podría dañar o destruir las placas.
- Saque toda la ceniza de la estufa. Deje el control de aire abierto durante los meses sin calefacción para permitir que fluya algo de aire a través de la estufa y ayudar a prevenir la corrosión.

⚠ ADVERTENCIA: NO INTENTE LIMPIAR O REPARAR LA ESTUFA MIENTRAS ESTÉ CALIENTE. ANTES DE ABRIR LA PUERTA DE LA ESTUFA A LEÑA PARA CUALQUIER TIPO DE SERVICIO, ASEGÚRESE DE QUE LA ESTUFA ESTÉ FRÍA Y QUE EL VENTILADOR ESTÉ DESENCHUFADO.

⚠ ADVERTENCIA: USE SOLAMENTE PARTES DE REPUESTO DEL FABRICANTE. EL USO DE CUALQUIER OTRA PARTE PODRÍA CAUSAR HERIDAS O LA MUERTE.

CREOSOTE - FORMACIÓN Y NECESIDAD DE EXTRACCIÓN

No eliminar la creosota puede provocar un peligroso incendio en la chimenea.

Cuando la madera se quema lentamente, produce alquitrán y otros vapores orgánicos, que se combinan con la humedad expulsada para formar creosota. Los vapores de creosota se condensan en la chimenea relativamente fría de un fuego de combustión lenta. Como resultado, los residuos de creosota se acumulan en el revestimiento del conducto de la chimenea. Cuando se enciende, esta creosota produce un fuego extremadamente caliente. Hay que inspeccionar la chimenea y su conector al menos una vez cada dos meses durante la temporada de calefacción, para determinar si se ha acumulado creosota. Si se ha acumulado una capa significativa de creosota (un octavo de pulgada (3 mm) o más, debe eliminarla para reducir el riesgo de incendio en la chimenea.

Establezca una rutina para el combustible, el quemador de leña y la técnica de encendido. Verifique diariamente la acumulación de creosota hasta que la experiencia demuestre con qué frecuencia debe limpiarla para estar seguro. Tenga en cuenta que cuanto más caliente esté el fuego, menos creosota se depositará, y podría necesitar una limpieza semanal en climas templados, aunque la limpieza mensual podría ser suficiente en los meses más fríos. Comuníquese con el departamento de bomberos municipal o provincial para obtener información sobre cómo manejar un incendio en una chimenea. Tenga un plan claramente entendido para manejar un incendio en una chimenea.

LIMPIEZA DEL VIDRIO

Asegúrese de que la estufa y el vidrio estén completamente fríos. La acumulación en el vidrio generalmente será ligera y el agua normalmente es suficiente para eliminar los depósitos. Si persiste el hollín rebelde, use un limpiador hecho específicamente para este propósito. Enjuague el vidrio con agua limpia y séquelo antes de reanudar el funcionamiento normal. Estas limpiezas ayudan a prevenir la acumulación de cenizas ácidas que podrían debilitar el vidrio y provocar grietas. No se puede usar la estufa con vidrios rajados o rotos.

⚠ ADVERTENCIA: NO LIMPIE EL VIDRIO CON LIMPIADORES ABRASIVOS NI CON NINGÚN OTRO PROCESO QUE PUEDA RAYAR O DAÑAR EL VIDRIO. ¡NO LA LIMPIE CUANDO ESTÉ CALIENTE!

REEMPLAZO DEL VIDRIO

⚠ ADVERTENCIA: NO ABUSE DE LA PUERTA DE VIDRIO GOLPEÁNDOLA O CERRÁNDOLA DE GOLPE.

Reemplace el vidrio de la puerta solamente con vidrio de cerámica, de un solo panel, para alta temperatura, de 5 mm. El tamaño del vidrio es 15 pulgadas (381 mm) x 11,25 pulgadas (285,75 mm). ¡NO use materiales combustibles! Nunca reemplace el vidrio cerámico con vidrio templado o de cualquier otro tipo. Póngase en contacto con el fabricante para obtener más información sobre cómo comprar piezas originales de fábrica o equivalentes.

1. Remueva la puerta de la estufa y colóquela boca abajo sobre una superficie de trabajo firme.
2. Con una llave de 5/16", remueva los diez tornillos de retención del soporte de la ventana.
3. Saque las cuatro pestañas de las ventanas de la puerta. Tenga mucho cuidado para evitar lastimarse con trozos de vidrio si la ventana se ha roto.
4. Levante el panel de vidrio viejo de la puerta y deséchelo.
5. El panel de vidrio debe envolverse con un cordón de fibra de vidrio autoadhesivo. Si compró un vidrio nuevo, vendrá envuelto en ella. Si reutiliza el mismo vidrio, remueva la junta vieja, raspe el adhesivo viejo y envuélvalo con la junta nueva. Esta junta sirve para amortiguar el vidrio con respecto a la puerta de hierro fundido.
6. Vuelva a instalar las pestañas de retención de la ventana con los diez tornillos que removió anteriormente. No ajuste de más los tornillos.

EXTRACCIÓN DE JUNTAS DAÑADAS

Con el tiempo, las juntas de sellado a alrededor del vidrio (cordón plano de fibra de vidrio de 3 mm x 16 mm) y de la puerta cordón de fibra de vidrio de 1/16 de pulgada) pueden perder su rigidez. Estas juntas son esenciales para proporcionar un sello que permita que la estufa funcione de manera segura. Inspeccione las juntas periódicamente y, si están desgastadas, comuníquese con el fabricante para obtener información sobre la junta original o equivalente.

Para reemplazar la junta.

1. Asegúrese de que todos los carbones y el combustible estén apagados y que la estufa esté fría al tocarla.
2. Remueva la junta vieja y limpie la canaleta de la misma.
3. Coloque una capa fina de cemento para juntas de alta temperatura a lo largo del interior de la canaleta de la junta.
4. Empuje el comienzo de la junta de reemplazo en la esquina superior izquierda de la canaleta de la junta preparada.

- Continúe empujando la junta de reemplazo en el sentido de las agujas del reloj, a lo largo de la canaleta de la junta hasta que vuelva a llegar al lugar donde comenzó a colocarla.
- Recorte el exceso de junta de repuesto y empuje el tope restante dentro de la canaleta para completar el sellado.
- Cierre la puerta, el cajón o el tapón de cenizas y espere 3 o 4 horas para que el cemento se asiente antes de encender la estufa.

Reemplazo de tubos de aire

NOTA: MANEJE EL TUBO DE AIRE DELANTERO DELICADAMENTE PARA EVITAR DAÑARLO O DAÑAR LA ESTUFA.

- Utilice una llave tubo o de extremo abierto de 5/16" para remover el tornillo que sujeta el tubo de aire.
- Remueva el tubo de aire deslizándolo hacia el espacio a la derecha, luego deslice el tubo hacia la izquierda y parcialmente hacia adelante, y finalmente remueva el tubo deslizándolo hacia la derecha y fuera de la cámara de combustión. En general, este patrón de movimiento parece una letra Z. Consulte la Figura 19.



Figura 19 Extracción del tubo de aire delantero

- Para instalar el mismo tubo de aire delantero o un reemplazo, siga el paso 1 a la inversa. Los otros tubos de aire se pueden remover y reemplazar de la misma manera.

REEMPLAZO DE FIBRA CERÁMICA

Para reemplazar una placa agrietada o rota, primero remueva el tubo del quemador frontal como se describe arriba. Luego, incline la parte frontal de la placa hacia abajo y deslice hacia afuera la placa que necesita reemplazar. Instale la placa nueva (las dos placas deben quedar alineadas en los tubos, una al lado de la otra). Vuelva a colocar el tubo previamente removido.

Para reemplazar el recubrimiento cerámico, siga los pasos anteriores para remover las placas de cerámica, luego saque el recubrimiento. Reemplácelo con un nuevo recubrimiento siguiendo los pasos anteriores en orden inverso.

LIMPIEZA DEL VENTILADOR

Para eliminar residuos como polvo y suciedad, aspire ligeramente el exterior del gabinete del ventilador de 120 V / 60 Hz / 0,26 A. Asegúrese de que el motor esté desenchufado antes de aspirar o antes de realizar cualquier otro mantenimiento en la estufa.

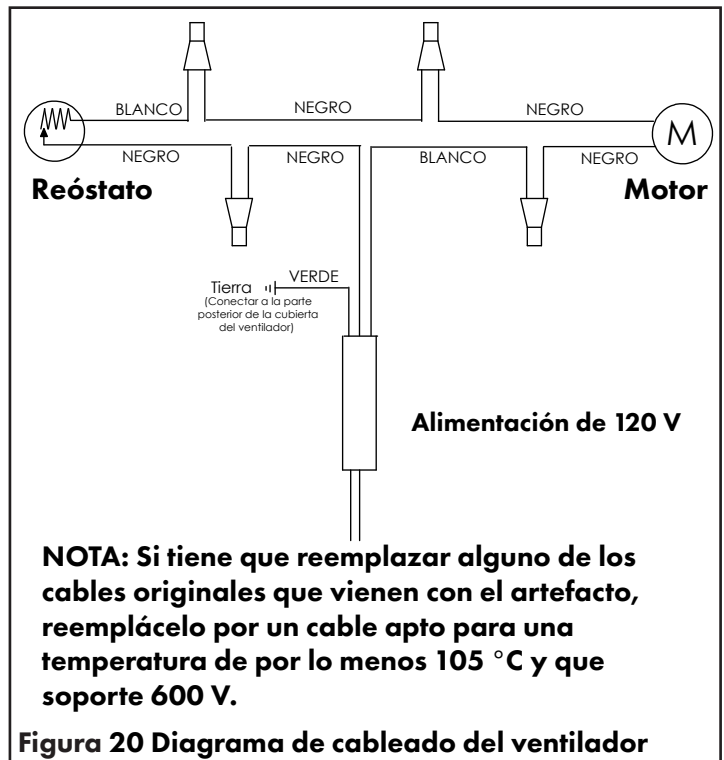


Figura 20 Diagrama de cableado del ventilador

TRABA DE LA PUERTA

Al abrir y cerrar la puerta repetidamente, es posible mover involuntariamente la rosca de la manija de la puerta, de modo que la puerta ya no se trabe con el pestillo. Si sucede esto, abra la puerta e inspeccione la posición de la rosca de la manija de la puerta. Ajuste la manija de la puerta hasta que pueda cerrar y sellar la puerta firmemente con el pestillo, girando la manija en sentido antihorario.

- Gire la manija de la puerta en sentido horario para extender el pestillo más adentro de la cámara de combustión y permitir que el pestillo de la puerta se agarre al marco interior de la estufa.
- Gire la manija de la puerta en sentido antihorario para disminuir la distancia entre el pestillo y la estufa.



Figura 21 Separación de la traba de la puerta

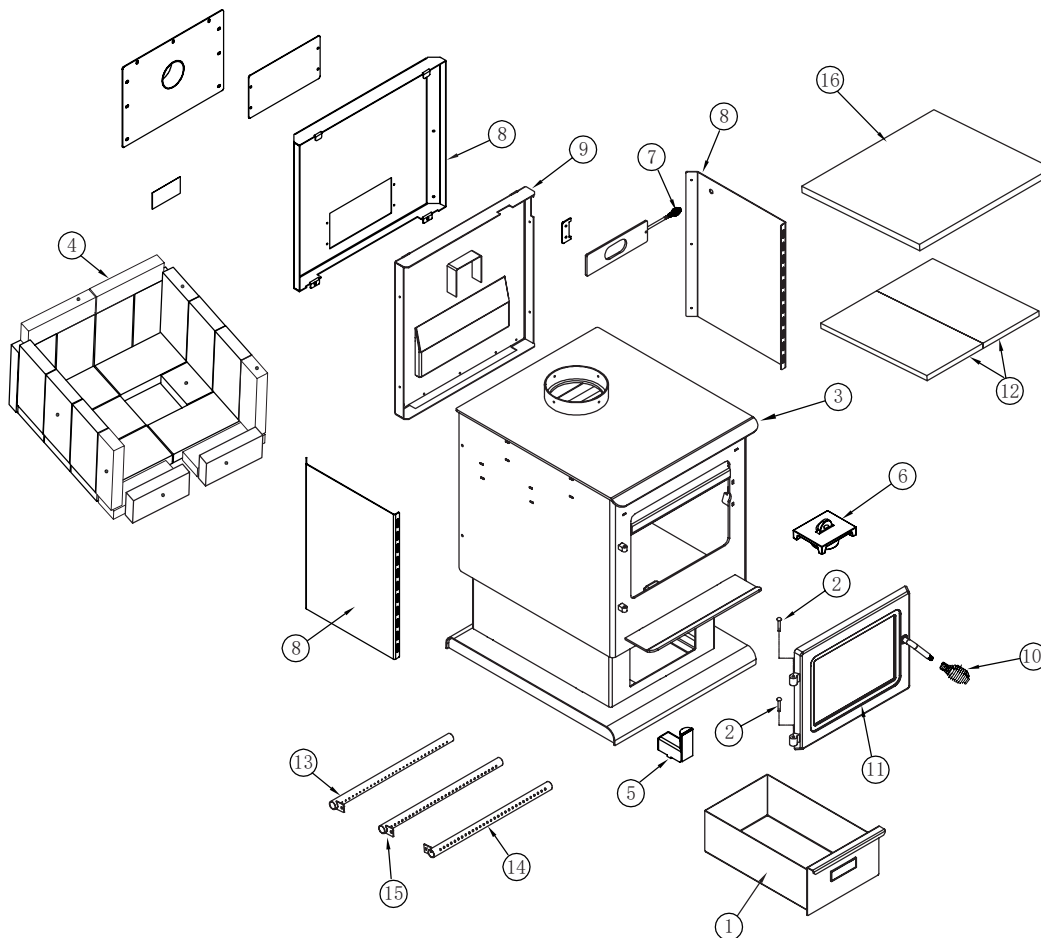
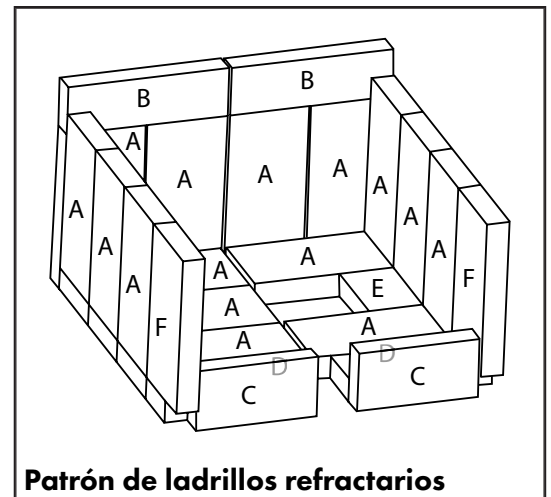
RESOLUCIÓN DE PROBLEMAS

SÍNTOMA	CAUSA	SOLUCIÓN
La estufa echa humo en la habitación	Corriente de aire débil.	Asegúrese de que la chimenea sea lo suficientemente alta. Consulte los requisitos de la chimenea en la página 10. Si fuera necesario, eleve más la chimenea.
	Presión negativa en la casa.	Agregue una conexión de aire de combustión externo a la unidad.
Es difícil encender el fuego	Corriente de aire débil.	Asegúrese de que la chimenea sea lo suficientemente alta. Consulte los requisitos de la chimenea en la página 10. Si fuera necesario, eleve más la chimenea.
	Chimenea fría	Caliente la chimenea quemando periódicos desmenuzados en la estufa.
		Instale un conducto aislado alrededor de la chimenea externa.
	Corriente de aire descendente en la chimenea	Asegúrese de que la chimenea sea lo suficientemente alta. Consulte los requisitos de la chimenea en la página 10.
Intente calentar la chimenea con un secador de cabello para corregir la corriente.		
El vidrio está sucio	Madera húmeda o verde.	Queme únicamente leña que esté curada durante al menos un año y que esté seca y sin hielo ni nieve.
	Estufa funcionando a baja velocidad de combustión.	Haga funcionar la estufa a velocidades de combustión más altas para ayudar a mantener limpio el vidrio.
	Madera colocada demasiado cerca del vidrio.	Nunca coloque madera de modo que toque la ventana de vidrio.
Acumulación de carbones en la cámara de combustión	Use la estufa a alta velocidad de combustión.	Reduzca el control del aire de combustión y permita que el carbón se queme antes de recargarla.
El fuego arde fuera de control	Demasiada corriente de aire.	Reduzca la altura de la chimenea.
	Fuga de aire.	Inspeccione las juntas de la puerta y la ventana, y reemplácelas si fuera necesario.
	Quema de madera excesivamente seca.	Queme únicamente leña curada. No queme madera secada al horno o paletizada.
Exceso de humo por la chimenea	Estufa funcionando a baja velocidad de combustión.	Use la estufa a una velocidad de combustión más alta para crear una combustión secundaria.
	Madera húmeda o verde.	Queme únicamente leña que esté curada durante al menos un año y que esté seca y sin hielo ni nieve.
	No carboniza la madera fresca	Queme la leña fresca hasta que esté completamente encendida y haya combustión secundaria activa en la cámara de combustión.

PIEZAS DE REPUESTO PARA MODELO T100

NOTA: No todas las piezas están disponibles. Si tiene preguntas, comuníquese con el fabricante.

REF.	PIEZA No.	TAMAÑO DEL LADRILLO
A	66710	9 x 4,5 x 1,25 pulgadas
B	66822	9 x 2,5 x 1,25 pulgadas
C	66823	6,75 x 3,25 x 1,25 pulgadas
D	66914	8 x 2,5 x 1,25 pulgadas
E	66824	4,5 x 4,25 x 1,25 pulgadas
F	66825	9 x 2,75 x 1,25 pulgadas



⚠ ADVERTENCIA: No colocar las piezas de acuerdo con estos diagramas o no utilizar sólo piezas aprobadas específicamente para esta estufa puede causar daños materiales o lesiones personales.

REF.	PIEZA No.	DESCRIPCIÓN
1	66851	Recipiente para la ceniza
2	66852	Clavija de la puerta
3	N/D	Gabinete principal
4	*	Ladrillos refractarios: consulte la tabla anterior
5	N/D	Encendedor
6	66715	Tapón de ceniza
7	66853	Manija de resorte de humero
8	N/D	Panel trasero y cubierta térmica

REF.	PIEZA No.	DESCRIPCIÓN
9	N/D	Panel del ventilador
10	66836	Manija de resorte
11	66724	Puerta
12	66717	Placa cerámica
13	66718	Tubo de aire posterior
14	66719	Tubo de aire delantero
15	66720	Tubo de aire del medio
16	66721	Recubrimiento cerámico

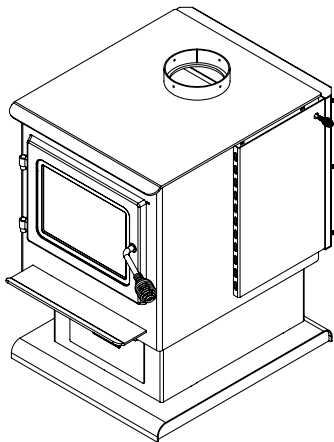


INSTRUCCIONES DE OPERACIÓN Y MANUAL DEL PROPIETARIO

Modelo

T100

LEA CUIDADOSAMENTE LAS INSTRUCCIONES: SU SEGURIDAD ES IMPORTANTE PARA USTED Y PARA LOS DEMÁS. Lea y siga todas las instrucciones. Conserve estas instrucciones en un lugar seguro para futura referencia. No permita que nadie que no haya leído estas instrucciones arme, encienda, ajuste o use la estufa.



ADVERTENCIA:

USE SOLAMENTE PARTES DE REPUESTO DEL FABRICANTE. EL USO DE CUALQUIER OTRA PARTE PODRÍA CAUSAR HERIDAS O LA MUERTE. LAS PARTES DE REPUESTO ESTÁN DISPONIBLES ÚNICAMENTE EN LA FÁBRICA Y DEBEN SER INSTALADAS POR UNA AGENCIA DE SERVICIO CALIFICADA.

INFORMACIÓN PARA ORDENAR PARTES:

COMPRAS: PUEDE COMPRAR ACCESORIOS EN CUALQUIER DISTRIBUIDOR LOCAL DE GRAND TETON O DIRECTAMENTE DE LA FÁBRICA.

POR INFORMACIÓN ACERCA DE REPARACIONES:

Por favor llame al número gratuito 1-866-740-2497/1-800-251-0001 • Fines de semana/fuera de horario • 423-488-6316 • grandtetoncollection.com

Nuestro horario de trabajo es de 08:00 AM a 5:00 PM, de lunes a viernes, hora del este.

Por favor, incluya el número de modelo, la fecha de compra y la descripción del problema en todas sus comunicaciones.

GARANTÍA LIMITADA:

La compañía garantiza que este producto (excluyendo ladrillos refractarios) estará libre de imperfecciones materiales y de fabricación, bajo condiciones de uso normales y adecuadas de acuerdo con las instrucciones de la Compañía, por un período de 5 años a partir de la fecha de entrega al comprador. La Compañía, según decida, reparará o reemplazará los productos que el comprador devuelva a la fábrica, con los gastos de envío previamente pagados dentro del mencionado período de cinco años y que la Compañía determine que presentan imperfecciones materiales o de fabricación.

Si alguna de las partes está dañada o si le falta alguna, llame a nuestro Departamento de asistencia técnica al 1-866-740-2497/1-800-251-0001.

Dirija sus reclamos de garantía a Service Department, Enerco Group, Inc., 4560 W. 160TH ST., CLEVELAND, OHIO 44135. Incluya su nombre, dirección y número telefónico en su comunicación e incluya los detalles relacionados con el reclamo. Además, infórmenos la fecha de la compra y el nombre y dirección del proveedor de quien adquirió nuestro producto.

Lo anterior describe las responsabilidades de la Compañía en toda su extensión. No hay otras garantías, ni explícitas ni implícitas. Específicamente, no hay garantías acerca de la adecuación para un propósito particular y no hay garantías de comerciabilidad. En ningún caso la Compañía será responsable por demoras causadas por imperfecciones, por daños consecuentes, ni por ningún otro cargo de gastos de ninguna naturaleza realizado sin su consentimiento escrito. El costo de reparación o reemplazo será la única compensación por cualquier incumplimiento de la garantía. No hay garantía ni se derivará garantía implícita alguna del proceso de comercialización ni de las prácticas comerciales comunes. Esta garantía no será válida para productos que hayan sido reparados o alterados fuera de la fábrica en cualquier sentido que a nuestro criterio afecte su estado o funcionamiento.

Algunos estados no permiten la exclusión o limitación de daños incidentales ni consecuentes, así que la limitación o exclusión anterior puede no tener validez en su caso. Esta Garantía le otorga derechos legales específicos, y usted puede tener otros derechos que varían de un estado a otro.

Enerco Group, Inc. se reserva el derecho de hacer cambios en cualquier momento, sin previo aviso, en los colores, especificaciones, accesorios, materiales y modelos.

Enerco Group, Inc., 4560 W. 160TH ST., CLEVELAND, OHIO 44135 • 1-866-740-2497/1-800-251-0001

© 2023, Enerco Group. Todos los derechos reservados.