

Sanctuary

HOME & OFFICE SECURITY VAULTS INSTRUCTION MANUAL FOR SA-PV1S & SA-PV2S

IMPORTANT:

Please read this information and follow all safety rules carefully before operating your gun safe. Failure to do so will void your warranty.

TABLE OF CONTENTS

IMPORTANT INFORMATION 2

1. REGISTRATION 3

2. UNDERSTANDING YOUR VAULT 4

3. INITIAL ENTRY..... 6

4. BATTERY INSTALLATION 6

5. ELECTRONIC LOCK SECURITY CODE SETUP 6

6. LOW BATTERY WARNING 8

7. SILENT ENTRY MODE 8

8. LOCKOUT MODE/TAMPER PROTECTION.....9

9. LOCKED OUT OF YOUR VAULT 9

10. PROPER PLACEMENT AND MOVING OF VAULT 9

11. SECURING YOUR VAULT10

12. MAINTAINING HINGES AND INTERNAL MECHANISMS 11

THREE YEAR WARRANTY 12

DISCLAIMER - READ BEFORE VAULT SETUP

PLEASE READ THIS INFORMATION CAREFULLY BEFORE OPERATING YOUR SANCTUARY VAULT.

DO NOT LOCK THIS MANUAL OR THE BACKUP KEYS IN YOUR VAULT.

- Thank you for choosing a Sanctuary vault to protect your valuables. We are committed to securing, organizing and protecting your most important documents, valuables and keepsakes.
- If you experience problems or challenges with your vault, please contact us. Many issues can be quickly resolved without the product being returned.

Contact Customer Service at cs@saproducts.com or (888) 792-4264

SAFETY

- Be sure to keep backup keys stored in a safe place away from unauthorized users
- Do not put anything in your vault that will put pressure against the door when it is closed.

WEAPON STORAGE

- If you choose to utilize this vault to store a weapon always follow proper weapon and local laws.
- SA Consumer Products strongly recommends that you do not store firearms.
- Always follow the firearm safety rules set out by the firearm's manufacturer.
- Store ammunition separately from valuables.
- A Sanctuary vault or any other firearm storage device cannot take the place of other safety procedures including advising children of the dangers of firearms.
- SA Consumer Products and its distributors of the Sanctuary vaults do not recommend, suggest, advise, promote, or otherwise condone the ownership or use of firearms. We believe the decision to own or use a firearm is a serious decision that should only be made by an adult who has carefully considered the risks and benefits of such a decision.

1. REGISTRATION

Register your vault at www.saproducts.com

By registering your Sanctuary vault we will be able to expedite and address any problems or challenges you may have which would otherwise require a notary letter and proof of payment.

REGISTRATION INFORMATION

The information you record onto this page will be required in the event you cannot access the contents of your Sanctuary vault. Please fill out all the required information below and retain for your records and safe keeping.

PLEASE HAVE THIS INFORMATION READY PRIOR TO CALLING FOR TECHNICAL ASSISTANCE AT:

Contact Customer Service at cs@saproducts.com or (888) 792-4264

PURCHASE DATE:

PURCHASE PRICE (BEFORE TAX):

MODEL NUMBER:

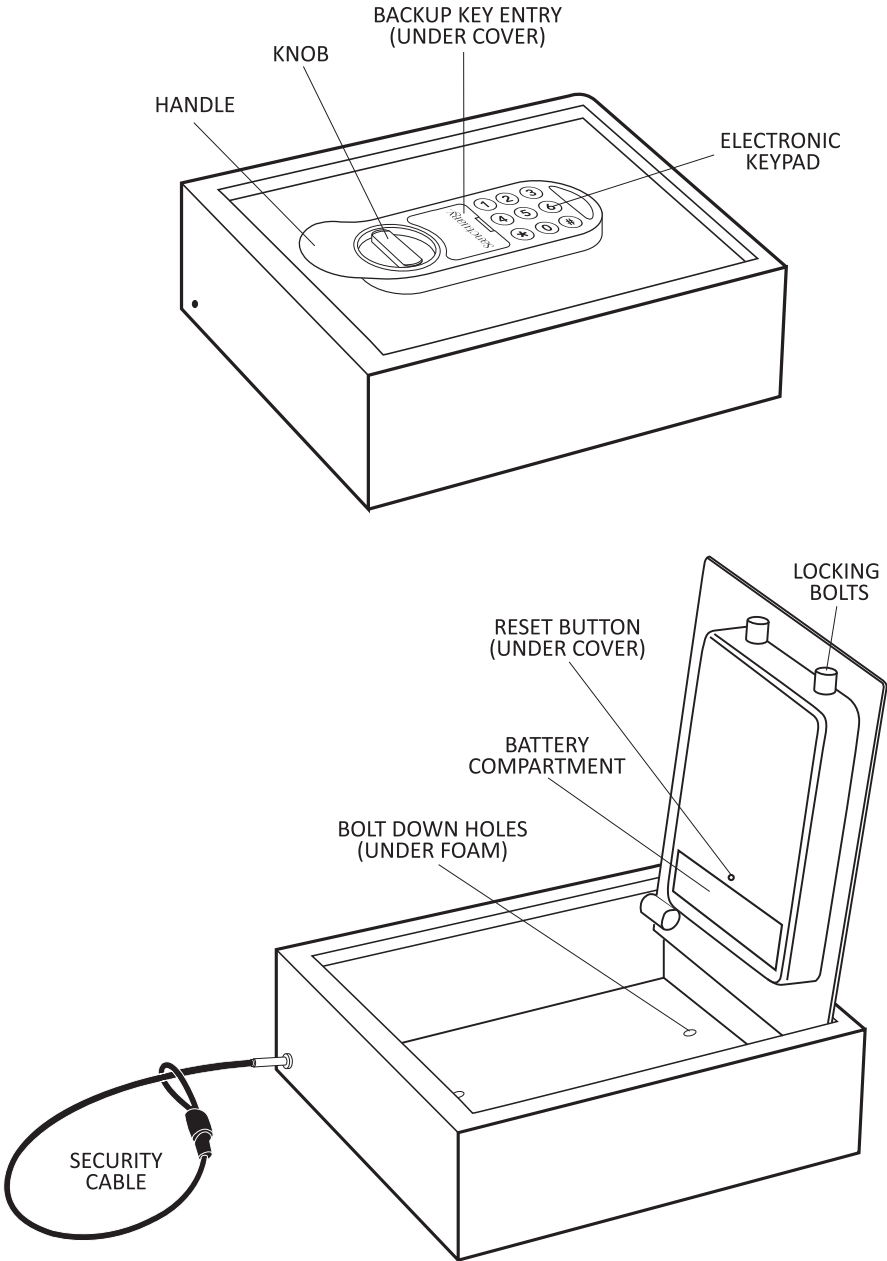
SERIAL NUMBER:

RETAILER NAME:

KEY NUMBER (IF APPLICABLE):

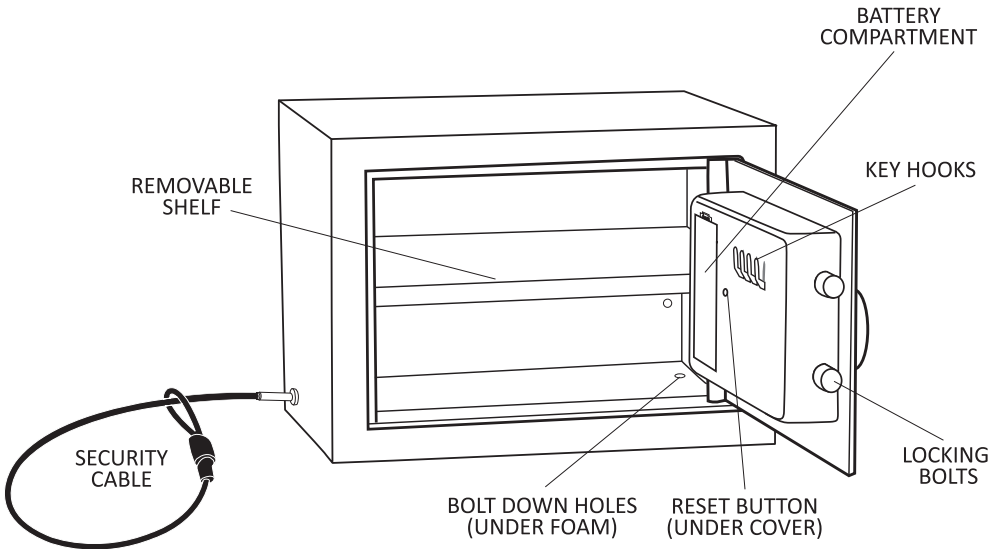
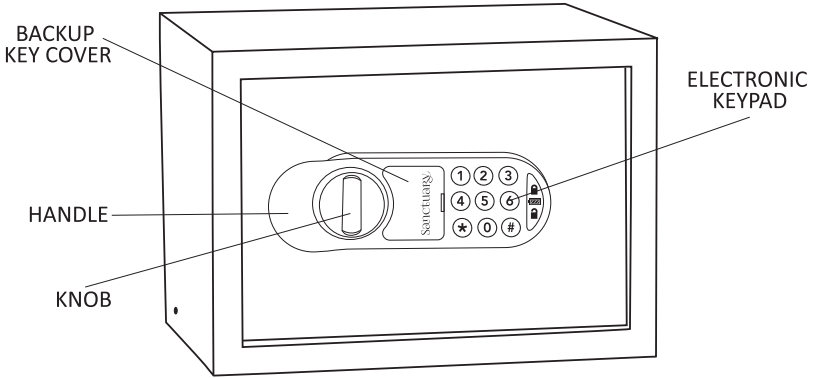
2. UNDERSTANDING YOUR VAULT

SA-PV1S



2. UNDERSTANDING YOUR VAULT (Continued)

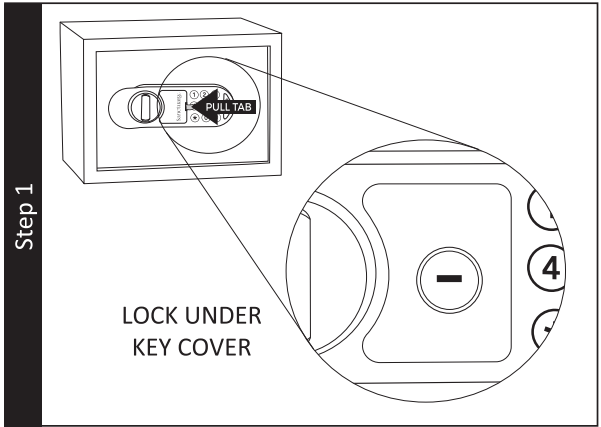
SA-PV2S



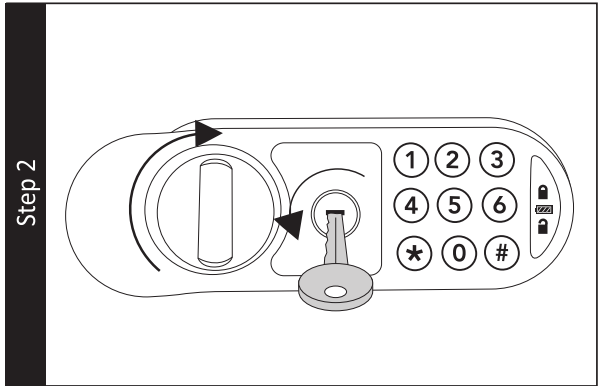
3. INITIAL ENTRY

1. Locate the key cover on the lockface and remove carefully by pulling the key cover tab.

In the future you may place a flat head screw driver in the slot and pry upwards.



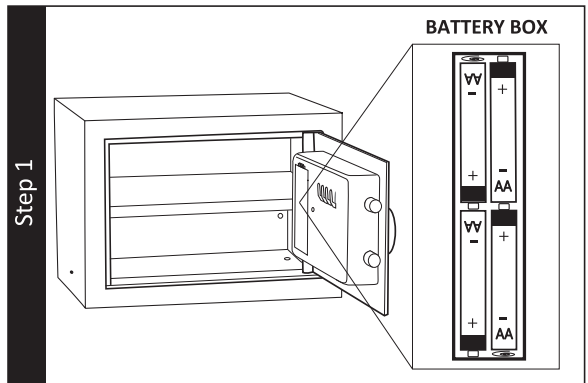
2. Insert and turn the key counterclockwise. Hold the key in the fully turned position while rotating the knob clockwise to grant access to your vault.



4. BATTERY INSTALLATION

WARNING: The batteries must be inserted with the correct polarity. Exhausted batteries must be removed from the product and discarded safely. Do not mix old and new batteries. Do not mix alkaline or standard (carbon – zinc) batteries. Do not use rechargeable (nickel – cadmium) batteries.

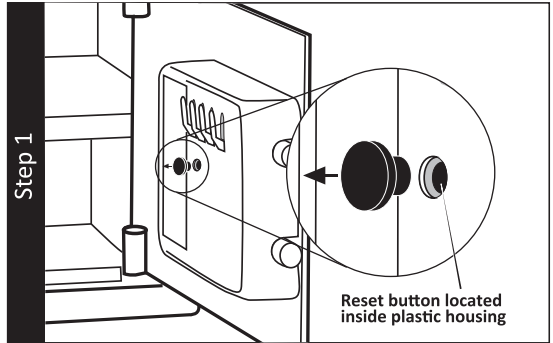
1. Locate the (4) AA batteries and insert in the battery compartment on the inside of the door panel as shown. Keypad will beep (1) time when batteries are successfully installed. Replace the battery cover.



5. ELECTRONIC LOCK SECURITY CODE SETUP

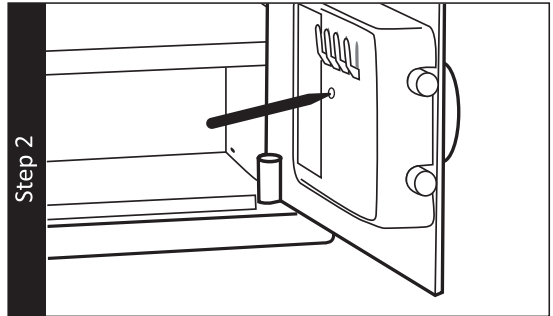
Important: Your vault comes with a factory preset code of 123#. It is necessary to re-program your vault with a new security code you have personally selected to provide maximum security. Be careful, in choosing your new security code, you'll want to be sure that you can operate the unit quickly without making an error.

1. First, remove the black rubber plug that covers the reset button on the door panel.



2. Use a pen tip to press the reset button. You will hear 1 beep and the green unlock LED flashes once.

NOTE: Recording mode will time out after 10 seconds of inactivity. If this occurs press restart button and begin again.

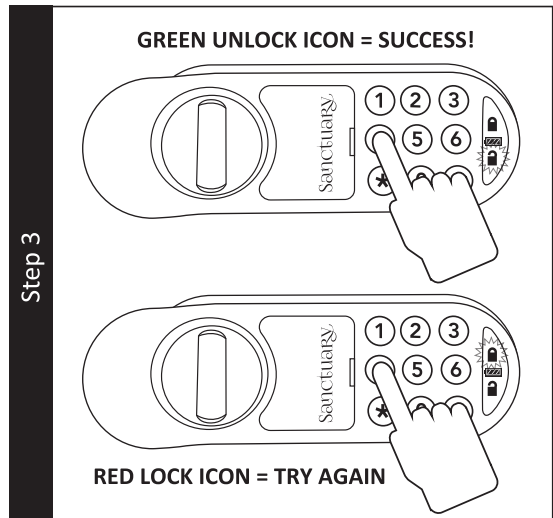


3. Input your new 3-8 digit code followed by (*) button.

If successful, you will hear (2) beeps and the green unlock symbol will flash on your keypad.

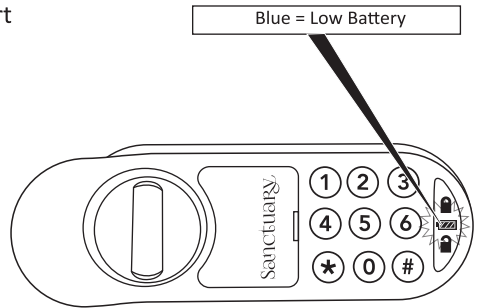
If unsuccessful, you will hear (5) beeps and the red lock symbol will flash on your keypad. Press the reset button and start again.

Once your code is successfully programmed, input your 3-8 digit code followed by the (#) for access of your vault.



6. LOW BATTERY WARNING

This electronic lock is equipped to alert you when the batteries are low by illuminating the blue light (center) on the keypad for 10 seconds any time the keypad is activated.

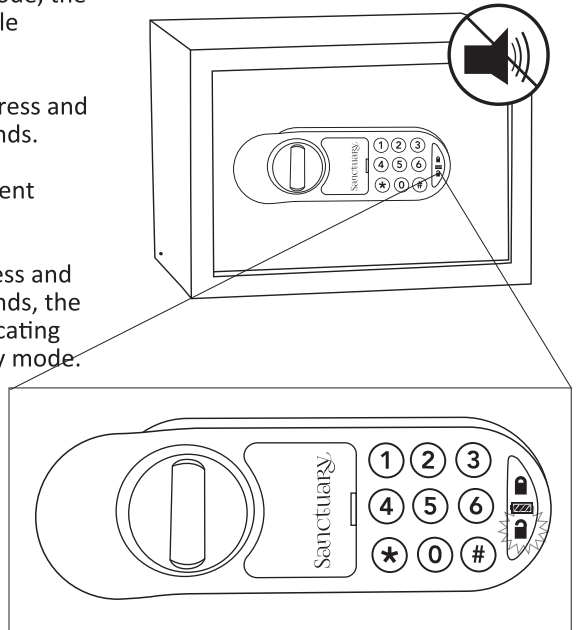


7. SILENT ENTRY MODE

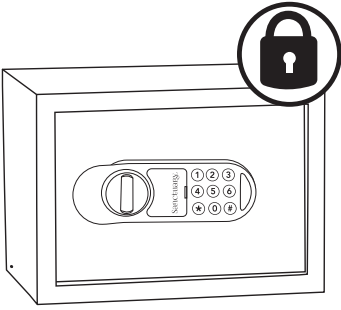
By activating the silent entry mode, the vault will no longer make audible sounds.

To turn on silent entry mode, press and hold the (*) button for (3) seconds. The green light will flash twice indicating the vault is now in silent entry mode.

To turn the sounds back on, press and hold the (*) button for (3) seconds, the green light will flash twice, indicating you are no longer in silent entry mode.



8. LOCKOUT MODE / TAMPER PROTECTION



1. Three consecutive incorrect code entries will put the vault in “Basic Lockout” mode. Touch pad is deactivated for 30 seconds.
2. After “Basic Lockout” mode has ended, another three consecutive incorrect code entries will result in “Severe Lockout” mode. Touch pad is deactivated for 5-minutes.

9. LOCKED OUT OF YOUR VAULT

In the event you have forgotten the security code your primary action will be to use your backup keys in order to gain access to your vault. Follow steps 3, 4 & 5 to reprogram your vault.

If you have lost your backup keys, you will need to contact customer service at the number below. Proof of purchase is required to obtain keys.

Contact Customer Service at cs@saproducts.com or (888) 792-4264

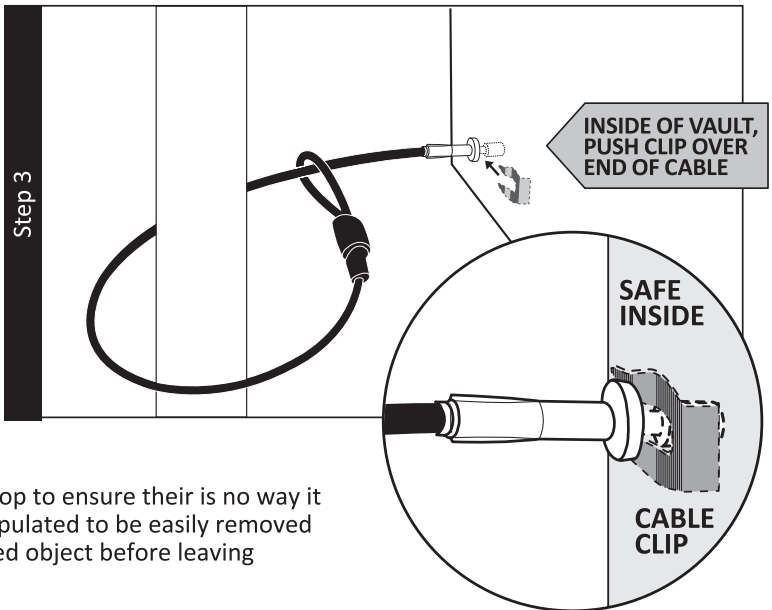
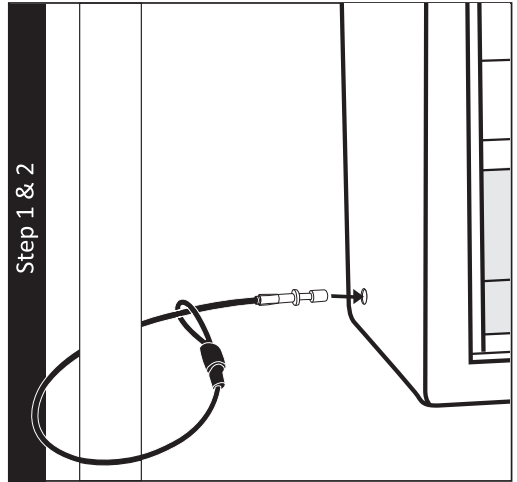
10. PROPER PLACEMENT AND MOVING OF VAULT

1. To maximize burglary protection and stability, securing the vault to the floor or wall is recommended.
2. SA Consumer Products recommends that you store your vault in a closet, office, basement, bedroom or any other location that is convenient for you but out of direct line of sight from prying eyes.
3. Always ensure the vault is in an isolated and dry area. Never place the vault direct contact with a wet floor. When installing your vault on a concrete floor, use of a moisture/protective barrier is highly recommended. Failure to do so or exposing the vault to chemicals or other adverse environments may void the warranty.

11. SECURING YOUR VAULT

SECURING YOUR VAULT WITH PROVIDED CABLE

1. A security cable is included with your vault. To secure the cable around a fixed object, first loop the cable around the object as shown in the figure to the right.
2. Insert the cable's metal peg end into the hole on the side of the vault while still open.
3. From the inside of the vault, take the cable clip and push it over the metal peg until fully secured. Use pliers to seat the cable clip if needed.

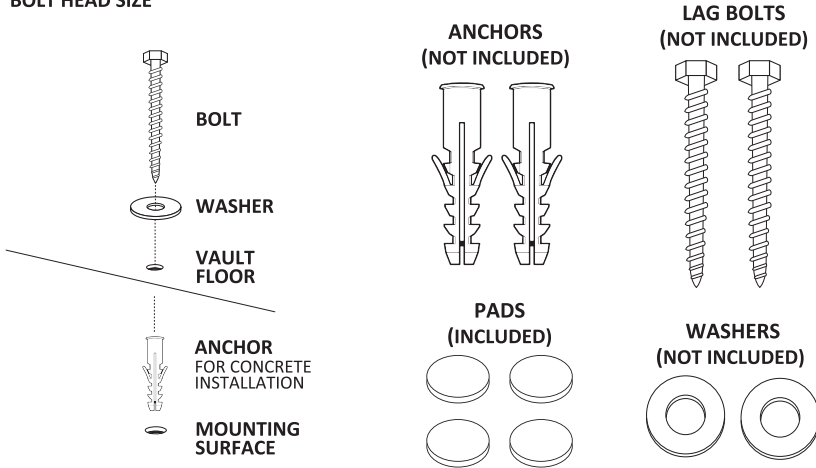


Check the loop to ensure there is no way it can be manipulated to be easily removed from the fixed object before leaving unattended.

11. SECURING YOUR VAULT (CONTINUED)

TOOLS AND HARDWARE NEEDED TO SECURE VAULT TO A WOOD OR CONCRETE SURFACE:

- DRILL
- 3/8" DRILL BIT
(FOR DRILLING ANCHOR HOLE)
or 3/16" (FOR INSTALL W/ OUT ANCHOR)
- SOCKET WRENCH TO MATCH BOLT HEAD SIZE
- 2 STEEL LAG BOLTS (NOT INCLUDED) - SIZE 1/4" X 1.50" TO 2.0" LONG
- 2 STEEL WASHERS (NOT INCLUDED) - 1/4"
- 2 PLASTIC ANCHORS (NOT INCLUDED)- SIZE #10-12 X 1.5" TO 1.75" LONG
(FOR CONCRETE INSTALLATION)
- 4 PADS (INCLUDED)



1. Use the recommended hardware or consult your hardware retailer for fastening hardware for your particular mounting surface.
2. Open the vault door to provide access to the factory drilled bolt down holes that are located under the protective foam liner.
3. To secure your vault to the floor, it will first be necessary to mark and drill pilot holes in the floor surface.
4. Drill the appropriate diameter and depth of pilot holes based on the type of hardware being used and the type of floor surface. When mounting on concrete we recommend using a drill and a concrete drill bit to drill the two corresponding holes in the mounting surface.
5. Secure the vault by threading anchor bolts through the factory drilled bolt down holes in the vault and screw down tight with a ratchet wrench.

12. MAINTAINING HINGES AND INTERNAL MECHANISMS

The hinges and internal locking mechanism are permanently lubricated, thus needing no maintenance. Opening the door panel of your vault may void your warranty. Always consult our customer service experts prior to doing so.

THREE YEAR WARRANTY

SA Consumer Products will repair or replace, at their sole discretion, any Sanctuary vault damaged by fire, forced entry, forced attack or natural flood for the lifetime of the original owner.

SA Consumer Products will repair or replace, at their sole discretion, any Sanctuary vault with defective parts, paint or lock for three years of the original owner purchase date.

If SA Consumer Products deems a replacement vault is to be sent, they will pay the freight costs to ship the replacement vault to the original owner.

This three year warranty is limited to the vault and expressly excludes any loss associated with the contents of the vault.

SA Consumer Products reserves the right to receive full evidence of your misfortune, such as a police report and/or homeowner's statement of coverage. This warranty is not valid outside of the United States and Canada.

Proof of registration and copy of sales receipt must be on file at the time of claim. Visit our website at www.saproducts.com to register your vault.

Three year warranty only applies to the original owner of the vault.

SA Consumer Products shall only be responsible and liable when the vault is used in compliance with the directions specified in your new SA Consumer Products owner's manual.

SA Consumer Products requires that specific guidelines be followed for repair. The vault will be repaired in-home if possible (to include parts and labor); however, if factory replacement is necessary (at SA Consumer Products' sole discretion), the replacement will be shipped freight prepaid, curbside delivery.

This warranty is inclusive and is in lieu of any and all other warranties, express or implied. Specifically excluded are the warranties of merchantability and fitness for a particular purpose. This warranty is limited to the vault itself and/or its value and does not include consequential damages of any kind including, but not limited to, the contents in and of the vault.