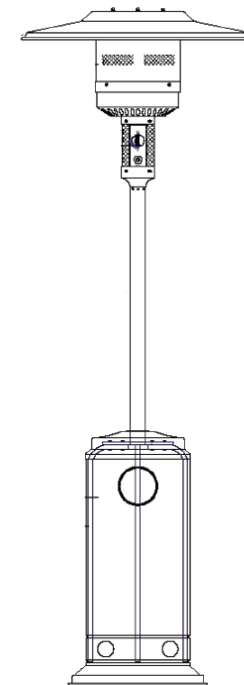




NUU  **GARDEN**®

— ENJOY LIFE · SHARE HAPPINESS —

INSTRUCTION MANUAL



Outdoor Patio Heater
SKU: AH002/AH003

NUU  **GARDEN**®
— ENJOY LIFE · SHARE HAPPINESS —

Nuu Garden Corp.

Add: 6366 Corley Road, Norcross GA 30071.

Tel: (800) 257-7108

Web: <http://www.nuugarden.com>

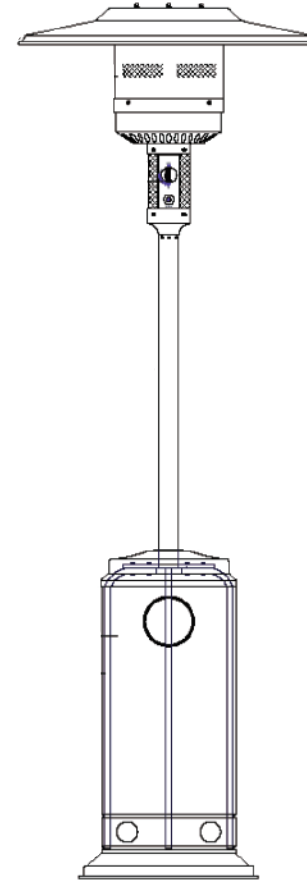
E-mail: service@nuugarden.com

Thanks for purchasing and trusting NUUGARDEN with your home decorating plans. This product is a furniture designed and made by NUUGARDEN Corp.

We are committed to R&D innovation and to create the most refined, diverse choice of outdoor collection.

After unpacking and before every use, check whether the item shows any damages. In addition, check that you have all parts and hardwares before assembly. If there is any damage, please do not use and just call customer service at (800) 257-7108 or send an email to service@nuugarden.com. If you do not have all the parts lists, have your dealer contact us and they will be sent to you immediately.

This furniture is intended for indoor and outdoor use. Please take time to read and follow the instruction below. Use the item as described in this operating manual. We accept no liability for damages caused by improper use.



INSTALLER:
Leave this manual with the appliance.
CONSUMER:
Retain this manual for future reference.

⚠ DANGER

If you smell gas:
1. Shut off gas to the appliance.
2. Extinguish any open flame.
3. If odor continues, keep away from the appliance and immediately call your gas supplier or fire department.

⚠ WARNING

Do not store or use gasoline or other flammable vapors and liquids in the vicinity of this or any other appliance. An LP-cylinder not connected for use shall not be stored in the vicinity of this or any other appliance.

⚠ WARNING: For Outdoor Use Only

⚠ DANGER



CARBON MONOXIDE HAZARD
This appliance can produce carbon monoxide which has no odor.

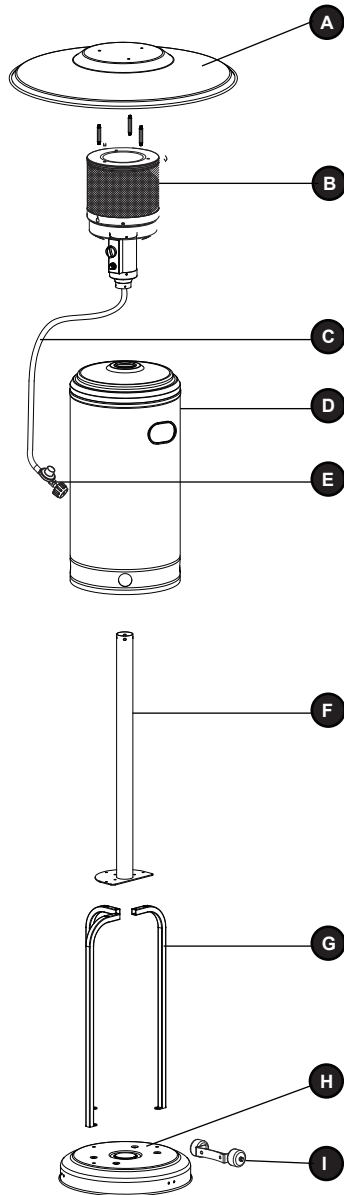
Using it in an enclosed space can kill you.

Never use this appliance in an enclosed space such as a camper, tent, car or home.

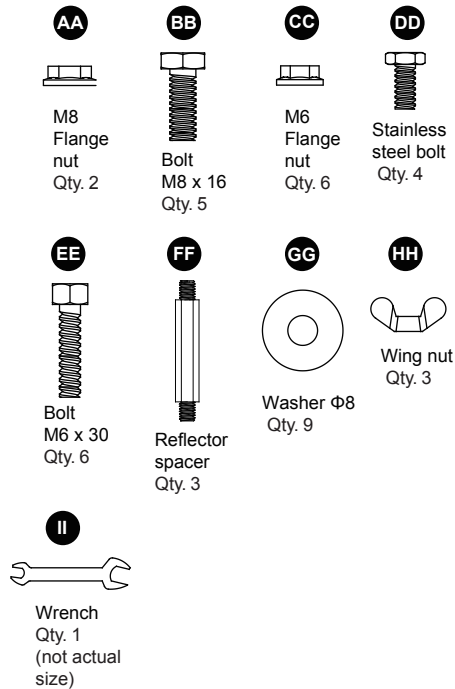
⚠ WARNING

Improper installation, adjustment, alteration, service or maintenance can cause property damage, injury or death. Read the installation, operation and maintenance instructions thoroughly before installing or servicing this equipment.

Conforms to ANSI STD Z83.26-2020 Certified to CSA STD 2.37-2020 Gasfired outdoor infrared patio heaters



HARDWARE CONTENTS (shown actual size)



PART	DESCRIPTION	QUANTITY
A	Reflector Panel	1
B	Head Assembly	1
C	Gas Hose	1
D	Cylinder Housing	1
E	Regulator	1
F	Post	3
G	Support Bracket	1
H	Base	1
I	Wheel Kit	1

Please read and understand this entire manual before attempting to assemble, operate or install the product.

This manual contains important information about the assembly, operation and maintenance of this patio heater. General safety information is presented in these first few pages and is also located throughout the manual. Keep this manual for future reference and to educate new users of this product. This manual should be read in conjunction with the labeling on the product. Safety precautions are essential when any mechanical or propane-fueled equipment is involved. These precautions are necessary when using, storing, and servicing this item. Using this equipment with the respect and caution demanded will reduce the possibilities of personal injury or property damage. The following symbols shown below are used extensively throughout this manual. Always heed these precautions, as they are essential when using any mechanical or fueled equipment.

⚠ DANGER

DANGER indicates an imminently hazardous situation which, if not avoided, will result in death or serious injury.

⚠ DANGER

Failure to comply with the precautions and instructions provided with this heater can result in death, serious bodily injury and property loss or damage from hazards of fire, explosion, burn, asphyxiation, and/or carbon monoxide poisoning. Only persons who can understand and follow the instructions should use or service this heater.

⚠ DANGER

- **EXPLOSION - FIRE HAZARD**
- Keep solid combustibles, such as building materials, paper or cardboard, a safe distance away from the heater as recommended by the instructions.
- Provide adequate clearances around air openings into the combustion chamber.
- Never use the heater in spaces which do or may contain volatile or airborne combustibles, or products such as gasoline, solvents, paint thinner, dust particles or unknown chemicals.
- During operation, this product can be a source of ignition. Keep heater area clear and free from combustible materials, gasoline, paint thinner, cleaning solvents and other flammable vapors and liquids. Do not use heater in areas with high dust content. Minimum heater clearances from combustible materials: 3 feet from the sides & 3 feet from the top.

⚠ WARNING

We cannot foresee every use which may be made of our heaters. Check with your local fire safety authority if you have questions about heater use. Other standards govern the use of fuel gases and heat producing products for specific uses. Your local authorities can advise you about these. If no local codes exist, follow National Fuel Gas Code, ANS Z223.1. In Canada, installation must conform to local codes. If no local codes exist, follow the current National standards of CANADA CAN/CGA-B 149.2.

⚠ DANGER

FOR YOUR SAFETY

If you smell gas:

1. Shut off gas to the appliance.
2. Extinguish any open flame.
3. If odor continues, keep away from the appliance and immediately call you gas supplier or fire department.

⚠ DANGER

- **CARBON MONOXIDE HAZARD**
- This heater is a combustion appliance. All combustion appliances produce carbon monoxide (CO) during the combustion process. This product is designed to produce extremely minute, non-hazardous amounts of CO if used and maintained in accordance with all warnings and instructions. Do not block air flow into or out of the heater.
- Carbon Monoxide (CO) poisoning produces flu-like symptoms, watery eyes, headaches, dizziness, fatigue and possibly death. You can't see it and you can't smell it. It's an invisible killer. If these symptoms are present during operation of this product get fresh air immediately!
- For outdoor use only.
- Never use inside house, or other unventilated or enclosed areas.
- This heater consumes air (oxygen). Do not use in unventilated or enclosed areas to avoid endangering your life.

⚠ WARNING

WARNING indicates an imminently hazardous situation which, if not avoided, will result in death or serious injury.

⚠ WARNING

Improper installation, adjustment, alteration, service or maintenance can cause property damage, injury or death. Read the installation, operation and maintenance instructions thoroughly before installing or servicing this equipment.

⚠ DANGER

- EXPLOSION - FIRE HAZARD
- Never store propane near high heat, open flames, direct sunlight, other ignition sources or where temperatures exceed 120 degrees F (49°C).
- Propane vapors are heavier than air and can accumulate in low places. If you smell gas, leave the area immediately.
- Never install or remove propane cylinder while heater is lighted, near flame, other ignition sources or while heater is hot to touch.
- This heater is red hot during use and can ignite flammables too close to the burner. Keep flammables at least 3 feet from sides & 3 feet from top. Keep gasoline and other flammable liquids and vapors well away from heater.
- Store the propane cylinder outdoors in a well ventilated space out of reach of children. Never store the propane cylinder in an enclosed area (house, garage, etc.). If heater is to be stored indoors, disconnect the propane cylinder for outdoor storage.

⚠ WARNING

- This product is fueled by propane gas. Propane gas is invisible, odorless, and flammable. An odorant is normally added to help detect leaks and can be described as a "rotten egg" smell. The odorant can fade over time so leaking gas is not always detectable by smell alone.
- Propane gas is heavier than air and leaking propane will sink to the lowest level possible. It can ignite by ignition sources including matches, lighters, sparks or open flames of any kind many feet away from the original leak. Use only propane gas set up for vapor withdrawal.
- Store or use propane gas in compliance with local ordinances and codes or with ANS/NFPA 58. Turn off propane when not in use.

⚠ WARNING

- Alert children and adults to the hazards of high surface temperatures. Stay away from these surfaces to avoid burning skin or igniting clothing.
- Carefully supervise young children when in the vicinity of the heater.
- Do not hang clothing or any other flammable materials from the heater, or place on or near the heater.
- Replace any guard or protective device removed for servicing the appliance prior to placing back in service.
- Installation and repair should be done by a qualified service person. The heater should be inspected before use and annually by a qualified service person. More frequent cleaning may be required as necessary. It is imperative that the control compartment, burners, and circulating air passageway of the appliance be kept clean.

⚠ WARNING

Do not store or use gasoline or other flammable vapors and liquids in the vicinity of this or any other appliance. An LP-cylinder not connected for use shall not be stored in the vicinity of this or any other appliance.

⚠ WARNING

California Proposition 65
Combustion by-products produced when using this product contain chemicals known to the State of California to cause cancer, birth defects, and other reproductive harm.

⚠ WARNING

BURN HAZARD

- Never leave heater unattended when hot or in use.
- Keep out of reach of children.

⚠ WARNING

Certain materials or items, when stored under the heater, will be subjected to radiant heat and could be seriously damaged.

⚠ CAUTION

SERVICE SAFETY

- Keep all connections and fittings clean. Make sure propane cylinder valve outlet is clean.
- During set up, check all connections and fittings for leaks using soapy water. Never use a flame.
- Use as a heating appliance only. Never alter in any way or use with any device.

⚠ CAUTION

CAUTION indicates an imminently hazardous situation which, if not avoided, may result in minor or moderate personal injury, or property damage.

⚠ WARNING: For Outdoor Use Only

⚠ DANGER



CARBON MONOXIDE HAZARD
This appliance can produce carbon monoxide which has no odor. Using it in an enclosed space can kill you. Never use this appliance in an enclosed space such as a camper, tent, car or home.

Before beginning assembly of product, make sure all parts are present. Compare parts with package contents list and hardware contents above. If any part is missing or damaged, do not attempt to assemble the product. Contact customer service for replacement parts.

Estimated Assembly Time: 60 minutes

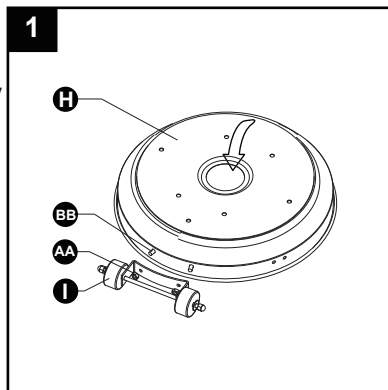
Tools Required for Assembly (not included):
Phillips screwdriver w/ medium blade. Leak Detection Solution.

1. Attach wheel assembly (I) to base (H). Line up holes in wheel bracket with corresponding holes in base, insert two bolts M8 x 16 (BB) through holes, and finger tighten two M8 flange nuts (AA). Be sure that the wheel assembly is parallel to the base, and fully tighten bolts.

Hardware Used

AA M8 Flange nut x 2

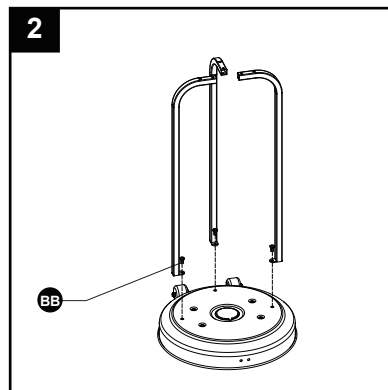
BB Bolt M8 x 16 x 2



2. Attach three support brackets loosely to base with three bolts M8 x 16 (BB) downward through support brackets into the Base.

Hardware Used

BB Bolt M8 x 16 x 3

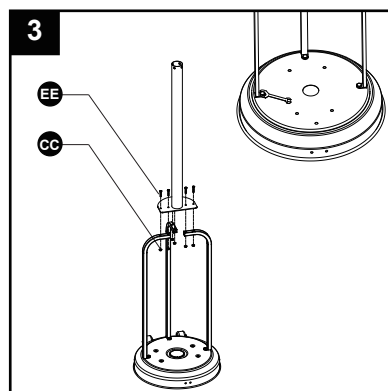


3. Install post onto three support brackets. Attach post to support brackets using six bolts M6 x 30 & six M6 flange nuts. Fully tighten all of the screws.

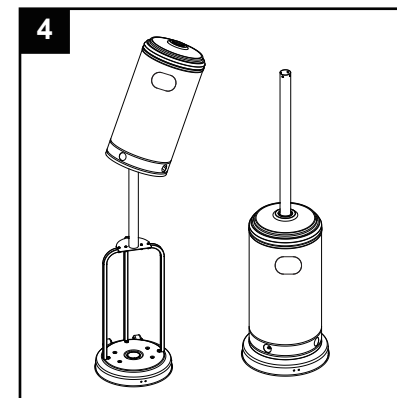
Hardware Used

CC M6 Flange nut x 6

EE Bolt M6 x 30 x 6



4. Load Cylinder Housing onto Post. Slide Cylinder Housing down.



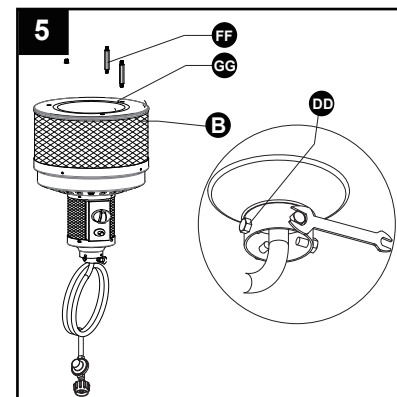
5. Attach reflector spacers (FF) and Ø8 washers (GG) to the top of head assembly (B). Tighten the reflector spacers (FF). Unscrew stainless steel bolts (DD) from head assembly (B).

Hardware Used

GG Ø8 Washer x 3

FF Reflector spacer x 3

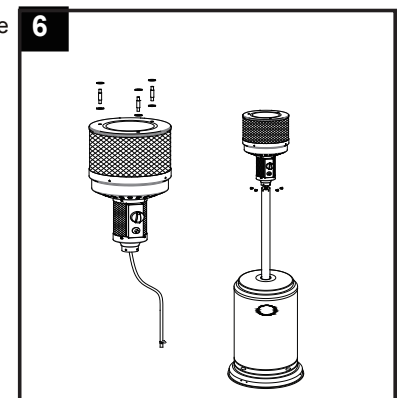
DD Stainless Steel Bolt x 4



6. Insert hose of head assembly (B) into post (F). Secure head assembly (B) to post (F) with stainless steel bolts (DD). Note: The control knob on head assembly (B) should be above the decal on post (F).

Hardware Used

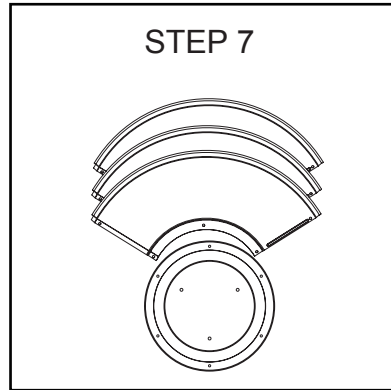
DD Stainless Steel Bolt x 4



STEP 7

WARNING: Remove protective cover before assembling.

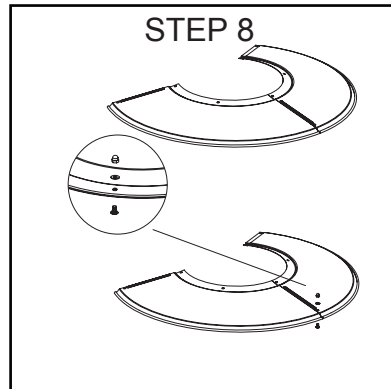
Note: If necessary for proper alignment of reflector sections, loosen each bolt prior to further assembly and retighten after sections are aligned.



STEP 8

Slide two reflector panels together.

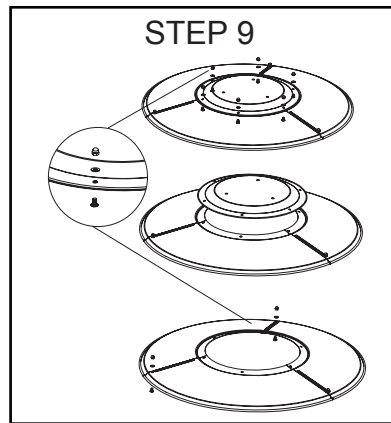
Insert one screw M6 X 10. Slide one washer Φ 6 over threaded end of screw M6 X 10 and screw on cap nut loosely.



STEP 9



Slide reflector plate onto reflector panels.

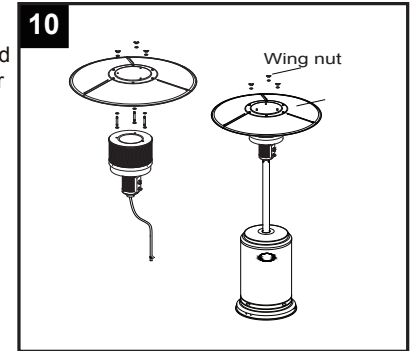
Insert one screw M6 X 10. Slide one washer Φ 6 over threaded end of screw M6 X 10 and screw on cap nut loosely. Repeat procedure to complete the assembly of all four sections. Fully tighten all of the screws in the rolled edge.



10. Slide Φ 8 washers (GG) over the threaded ends of reflector spacers (FF). Attach reflector assembly to head assembly (B). Place Φ 8 washers (GG) over threaded ends of reflector spacers (FF) sticking out through reflector assembly and secure with wing nuts (HH).
Note: Do not overtighten.

Hardware Used

GG Φ 8 Washer		x 6
HH Wing Nut		x 3

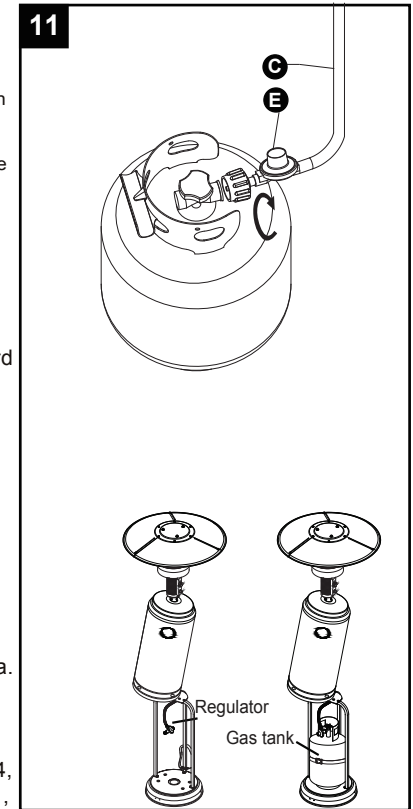


11. Screw gas hose (C) and regulator (E) onto propane cylinder (not included). Do not cross-thread.

Every part of the heater shall be secure against displacement and shall be constructed to maintain a fixed relationship between essential parts under normal and reasonable conditions of handling and usage. Parts not permanently secured shall be designed so they cannot be incorrectly assembled and cannot be improperly located or misaligned in removing or replacing during cleaning or other servicing.

Use a standard 20 lb. propane cylinder only. (approximately 12.2 in. / 31cm. in diameter and 17.9 in. / 45.5cm high).

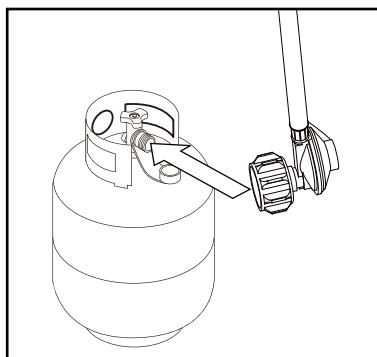
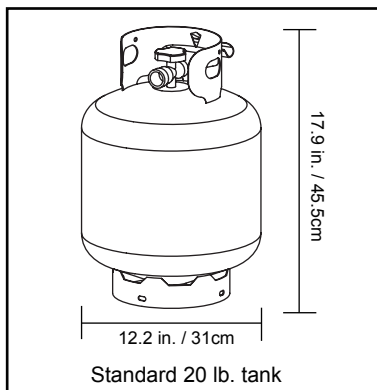
Use this heater only with a propane vapor withdrawal supply system. See chapter 5 of the standard for storage and handling of liquefied petroleum gas, ANS/NFPA 58. Your local library or fire department should have this book. Storage of an appliance indoors is permissible only if the cylinder is disconnected and removed from the appliance. A cylinder must be stored outdoors in a well-ventilated area out of the reach of children. A disconnected cylinder must have dust caps tightly installed and must not be stored in a building, garage or any other enclosed area. The maximum inlet gas supply pressure: 250 psi /1750 kPa. The minimum inlet gas supply pressure: 5 psi /35kPa. Manifold pressure with regulator provided: 11 inch W.C/ 2.74 kPa. The pressure regulator and hose assembly supplied with the appliance must be used. The installation must conform with local codes, or in the absence of local codes, with national fuel gas code, ANS Z223.1/NFPA54, natural gas and propane Installation Code, CSA B149.1, or propane storage and handling code, B149.2.







A dented, rusted or damaged propane cylinder may be hazardous and should be checked by your cylinder supplier. Never use a propane cylinder with a damaged valve connection.

The propane cylinder must be constructed and marked in accordance with the specifications for LP gas cylinders of the U.S. Department of Transportation (DOT) or the standard for cylinders, spheres and tubes for transportation of dangerous goods and commission, CAN/CSA-B339.

The cylinder must have a listed overfilling prevention device. The cylinder must have a connection device compatible with the connection for the appliance. The cylinder used must include a collar to protect the cylinder valve. Never connect an unregulated propane cylinder to the heater.



The knob on the LP tank must be closed. Make sure that the knob is turned  clockwise to a full stop. The cylinder supply system must be arranged for vapor withdrawal. Check that the control knob on the control unit is turned off. Hold the regulator in one hand and insert the nipple into the valve outlet. Be sure the nipple is centered in the valve outlet. The coupling nut connects to the large outside threads on the valve outlet. Hand-tighten the coupling nut  clockwise until it comes to a full stop. Firmly tighten by hand only.

To Disconnect: Fully close the tank valve by turning  clockwise. Turn the coupling nut  counterclockwise until the regulator assembly detaches.

- Do not store a spare LP-gas cylinder under or near this appliance;
- Never fill the cylinder beyond 80 percent full;
- Place the dust cap on the cylinder valve outlet whenever the cylinder is not in use. Only install the type of dust cap on the cylinder valve that is provided with the cylinder valve. Other type of caps or plugs may result in leakage of propane.

WARNING: This product contains small batteries. Swallowed small batteries can cause CHOKING HAZARD. Seek immediate medical attention if batteries are swallowed or inhaled. Keep children away from the small batteries.

To check for a leak:

1. Make 2-3 oz. leak check solution (one part liquid dishwashing detergent and three parts water).
2. Apply several drops of solution where regulator connects to cylinder and to all hose and valve connections
3. Make sure all patio heater and light valves are OFF.
4. Turn cylinder valve ON.

If bubbles appear at any connection, there is a leak.

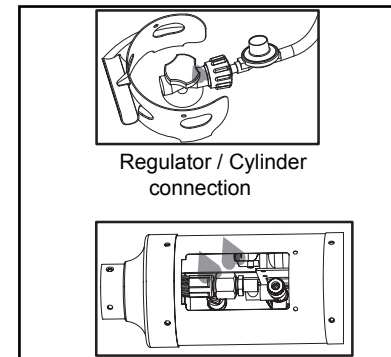
1. Turn cylinder valve OFF.
2. If leak is at regulator/cylinder valve connection: Disconnect, reconnect, and perform another leak check. Apply the soapy solution to all hose and valve connections. If you continue to see bubbles after several attempts, cylinder valve is defective and should be returned to cylinder's place of purchase.
3. If leak is at hose/regulator connection: This part is defective and you should contact the customer service department for replacement.

If NO bubbles appear at any connection, the connections are secure.

NOTE: Whenever gas connections are loosened or removed, you must perform a complete leak test.

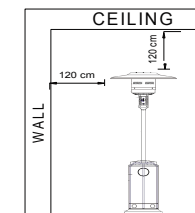
WARNING

- Perform all leak tests outdoors.
- Extinguish all open flames.
- NEVER leak test when smoking.
- Do not use the heater until all connections have been leak tested and do not leak.



DANGER

- CARBON MONOXIDE HAZARD
- For outdoor use only. Never use inside house, or other unventilated or enclosed areas. This heater consumes air (oxygen). Do not use in unventilated or enclosed areas to avoid endangering your life.



Caution: Do not attempt to operate until you have read and understand all General Safety Information in this manual and all assembly is complete and leak checks have been performed.

This appliance shall be used only in a well-ventilated space and shall not be used in a building, garage or any other enclosed area.

An appliance may be installed with shelter no more inclusive than:

- 1) With walls on all sides, but with no overhead cover. Always maintain a clearance of 1.2 m (4ft) from combustible materials from the top and side.
- 2) Within a partial enclosure which includes an overhead cover and no more than two side walls. These side walls may be parallel, as in a breezeway, or at right angles to each other.
- 3) Within a partial enclosure which includes an overhead cover and three side walls, as long as 30 percent or more of the horizontal periphery of the enclosure is permanently open.

Before Turning Gas Supply ON:

1. Your heater was designed and approved for outdoor use only. Do NOT use it inside a building, garage, or any other enclosed area.
2. Make sure surrounding areas are free of combustible materials, gasoline, and other flammable vapors or liquids.
3. Ensure that there is no obstruction to air ventilation. Be sure all gas connections are tight and there are no leaks.
4. Be sure the cylinder cover is clear of debris. Be sure any component removed during assembly or servicing is replaced and fastened prior to starting.

Before Lighting:

1. Heater should be thoroughly inspected before each half year use, and by a qualified service person at least annually. If relighting a hot heater, always wait at least 5 minutes.
2. Inspect the visible portion of the hose before each use of the appliance. If the hose leaks, it must be replaced prior to operation. Only use the replacement hose assembly specified by manufacturer.
3. The pressure regulator and hose assembly supplied with the appliance must be used. Replacement pressure regulators and hose assemblies must be those specified by the appliance manufacturer.

Lighting:

1. Turn on the valve on the gas cylinder.
2. Press and turn the control knob to HIGH (maximum) position (anti-clockwise 90°). (Figure 1)
3. Holding down the control knob, press the igniter button several times until the main flame is ignited. Release the control knob 10 seconds after the ignition.
4. Turn the control knob to LOW (minimum) and leave it there for 5 minutes or more before turning the knob to the desired temperature setting. (Figure 2)
5. If the burner flame goes out, turn off the heater and wait at least 5 minutes or more to let the gas dissipate before re-lighting to avoid gas explosion. Repeat steps 2 to 4.

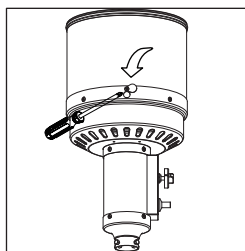


Figure 1

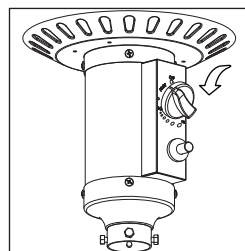


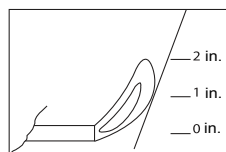
Figure 2

Note: Improper operation, can cause injury or property damage. If pilot fails to remain lit, all valves should be closed and a waiting period of at least 5 minutes should pass before attempting to light.

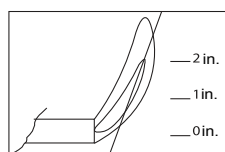
If you experience any ignition problem please consult "Troubleshooting" on page 17.

Caution: Avoid inhaling fumes emitted from the heater's first use. Smoke and odor from the burning of oils used in manufacturing will appear. Both smoke and odor will dissipate after approximately 30 minutes. The heater should NOT produce thick black smoke.

Note: The burner may be noisy when initially turned on. Turn the knob to the level of heat desired.



Nomal



Abnormal

WARNING

FOR YOUR SAFETY
Be careful when attempting to manually ignite this heater. Holding in the control knob for more than 10 seconds before igniting the gas will cause a ball of flame upon ignition.

Re-lighting:

1. Turn control knob to OFF.
2. Repeat the "Lighting" steps on prior page.

When Heater is ON:

Emitter screen will become bright red due to intense heat. The color is more visible at night. Burner will display tongues of blue and yellow flame. These flames should not be yellow or produce thick black smoke, indicating an obstruction of airflow through the burners. The flame should be blue with straight yellow tops. If excessive yellow flame is detected, turn off heater and consult "Troubleshooting" on page 16.

WARNING

FOR YOUR SAFETY
Heater will be hot after use. Handle with extreme care.

After Operation

1. Gas control is in OFF position.
2. Gas tank valve is OFF.
3. Disconnect gas line.

Shut Down:

Turn cylinder valve clockwise to OFF and disconnect regulator when heater is not in use.

Note: After use, some discoloration of the emitter screen is normal.

Operation Checklist

For a safe and pleasurable heating experience, perform this check before each use.

Before Operating:

1. I am familiar with entire owner's manual and understand all precautions noted.
2. All components are properly assembled, intact and operable.
3. No alterations have been made.
4. All gas connections are secure and do not leak.
5. Wind velocity is below 10 mph.
6. Unit will operate at reduced efficiency below 40°F.
7. Heater is outdoors (outside any enclosure).
8. There is adequate fresh air ventilation.
9. Heater is away from gasoline or other flammable liquids or vapors.
10. Heater is away from windows, air intake openings, sprinklers and other water sources.
11. Heater is at least 2.3 feet on top and at least 3.3 feet on sides from combustible materials.
12. Heater is on a hard and level surface.
13. There are no signs of spider or insect nests.
14. All burner passages are clear.
15. All air circulation passages are clear.
16. Children and adults should be alerted to the hazards of high surface temperatures and should stay away to avoid burns or clothing ignition.
17. Young children should be carefully supervised when they are in the area of the heater.
18. Clothing or other protective material should not be hung from the heater, or placed on or near the heater.
19. Any guard or other protective device removed for servicing the heater must be replaced prior to operating the heater.
20. Installation and repair should be done by a qualified service person. The heater should be inspected before use and at least annually by a qualified service person.
21. More frequent cleaning may be required as necessary. It is imperative that control compartment, burner and circulating air passageways of the heater be kept clean.

⚠ WARNING

FOR YOUR SAFETY:

- Do NOT touch or move heater for at least 45 minutes after use.
- Reflector is hot to the touch.
- Allow reflector to cool before touching.

To enjoy years of outstanding performance from your heater, make sure you perform the following maintenance activities on a regular basis:

Keep exterior surfaces clean.

1. Use warm soapy water for cleaning. Never use flammable or corrosive cleaning agents.
2. While cleaning your unit, be sure to keep the area around the burner assembly dry at all times. Do not submerge the control valve assembly. If the gas control is submerged in water, do NOT use it. It must be replaced.
 - a. Keep the appliance area clear and free from combustible materials, gasoline and other flammable vapors and liquids.
 - b. Do not obstruct the flow of combustion and ventilation air.
 - c. Keep the ventilation opening(s) of the cylinder enclosure free and clear from debris.
3. Air flow must be unobstructed. Keep controls, burner, and circulating air passageways clean.

Visually checking portions of the hose assembly located within the confines of the heater post. Inspect the entire hose assembly at least annually, disassembling the reflector and burner. Inspect the hose assembly for evidence of excessive abrasion, cuts, or wear. Suspected areas should be leak tested. Then assembling the reflector and burner again following with step 6 and 7.

- Gas odor with extreme yellow tipping of flame.
- Heater does NOT reach the desired temperature.
- Heater glow is excessively uneven.
- Heater makes popping noises.
- Spiders and insects can nest in burner or orifices. This dangerous condition can damage heater and render it unsafe for use. Clean burner holes by using a heavy-duty pipe cleaner. Compressed air may help clear away smaller particles.
- Carbon deposits may create a fire hazard. Clean dome and burner screen with warm soapy water if any carbon deposits develop.



Note: In a salt-air environment (such as near an ocean), corrosion occurs more quickly than normal. Frequently check for corroded areas and repair them promptly.

TIP:

Use high-quality automobile wax to help maintain the appearance of your heater. Apply to exterior surfaces from the pole down. Do not apply to emitter screen or domes.

Storage

Between uses:

- Turn Control Knob OFF.
 - Disconnect LP source.
 - Store heater upright in an area sheltered from direct contact with inclement weather (such as rain, sleet, hail, snow, dust and debris).
 - If desired, cover heater to protect exterior surfaces and to help prevent build-up in air passages.
- Note: Wait until heater is cool before covering.*

During periods of extended inactivity or when transporting:

- Turn Control Knob OFF.
 - Disconnect LP source and move to a secure, well-ventilated location outdoors.
 - Store heater upright in an area sheltered from direct contact with inclement weather (such as rain, sleet, hail, snow, dust and debris).
 - If desired, cover heater to protect exterior surfaces and to help prevent build-up in air passages. Never leave LP cylinder exposed to direct sunlight or excessive heat.
- Note: Wait until heater is cool before covering.*

Service

Only a qualified service person should repair gas passages and associated components.

Caution: Always allow heater to cool before attempting service.

PROBLEM	POSSIBLE CAUSE	CORRECTIVE ACTION
Burner won't light	Propane cylinder is frosted over	Wait until the propane cylinder warms up and is defrosted
	Blockage in orifice	Clear blockage
	Control knob is not in ON position	Turn control knob to ON
Burner flame is low	Gas pressure is low	Turn cylinder valve OFF and replace cylinder
	Outdoor temperature is less than 40°F and tank is less than 1/4 full	Use a full cylinder
	Control knob fully ON	Check burner and orifices for blockage
Carbon build-up	Dirt or film on reflector and burner screen	Clean reflector and burner screen
Thick black smoke	Blockage in burner	Remove blockage and clean burner inside and outside

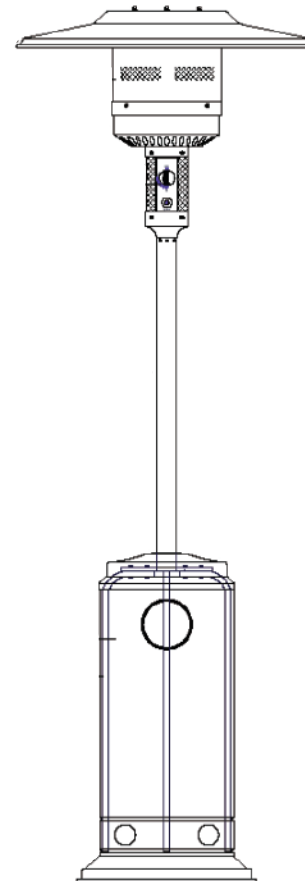
This product is inspected, tested and carefully packaged to minimize the chance of damage during shipment. If a part within one year from the date of purchase proves to be defective in material or fabrication under normal use, the part will be repaired or replaced. The Company's obligation under the warranty is to replace or repair defective parts at our discretion. Any expenses or damage resulting from the installation, removal or transportation of the product will be the responsibility of the owner and are not covered by this warranty. The owner assumes all other risks arising out from the use or misuse of the product. The warranty will be void if the product damage or failure is deemed by the Company to be caused by accident, alteration, misuse, abuse, incorrect installation or removal, or connection to an incorrect power source by the owner. The Company neither assumes, nor authorizes any person or entity to assume for it any obligation or liability associated with its products.

Merci d'avoir acheté et d'avoir fait confiance à NUUGARDEN pour votre maison plans de décoration. Ce produit est un meuble conçu et fabriqué par NUUGARDEN Corp.

Nous nous engageons à innover en R&D et à créer le plus choix raffiné et diversifié de la collection extérieure.

Après le déballage et avant chaque utilisation, vérifiez si l'article montre des dommages. De plus, vérifiez que vous disposez de toutes les pièces et matériel avant l'assemblage. S'il y a des dommages, veuillez ne pas utiliser et appelez simplement le service client au (800) 257-7108 ou envoyez un courriel à service@nuugarden.com. Si vous n'avez pas toutes les pièces listes, demandez à votre revendeur de nous contacter et elles vous seront envoyées immédiatement.

Ce meuble est destiné à un usage intérieur et extérieur. Prend S'il te plait il est temps de lire et de suivre les instructions ci-dessous. Utilisez l'article comme décrit dans ce manuel d'utilisation Nous déclinons toute responsabilité en cas de dommages causé par une utilisation incorrecte.



INSTALLER:
Leave this manual with the appliance.
CONSUMER:
Retain this manual for future reference.

! DANGER

Si vous sentez une odeur de gaz :
1. Coupez l'alimentation en gaz de l'appareil.
2. Éteignez toute flamme nue.
3. Si l'odeur persiste, éloignez-vous de l'appareil et appelez le fournisseur de gaz ou le service des incendies immédiatement.

! AVERTISSEMENT

Ne pas entreposer ni utiliser d'essence ou autres liquides ou vapeurs inflammables à proximité de cet appareil ou de tout autre appareil. Aucune bouteille de GPL qui n'est pas raccordée en vue de son utilisation ne doit être gardée à proximité de cet appareil ou de tout autre appareil

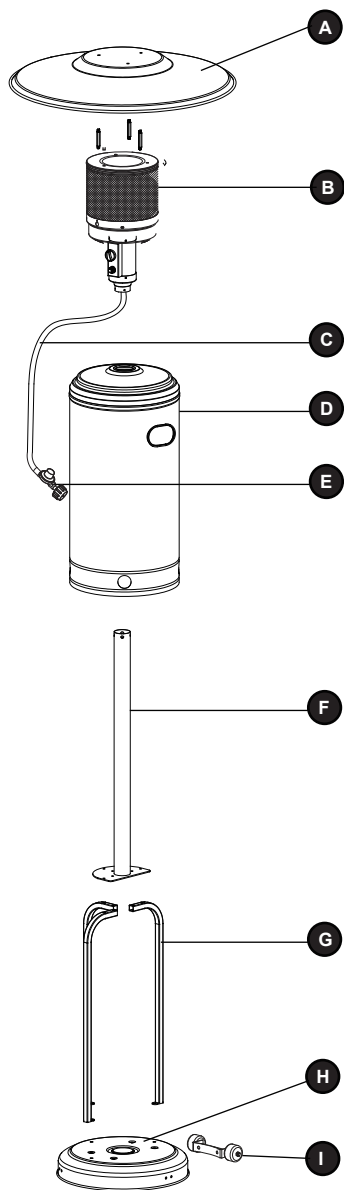
! AVERTISSEMENT:
Pour l'extérieur seulement.

<p>! DANGER</p>	<p>MONOXYDE DE CARBONE Cet appareil peut produire du monoxyde de carbone, un gaz inodore.</p>
	<p>L'utilisation de cet appareil dans des espaces clos peut entraîner la mort. Ne jamais utiliser cet appareil dans un espace clos comme un véhicule de camping, une tente, une automobile ou une maison.</p>

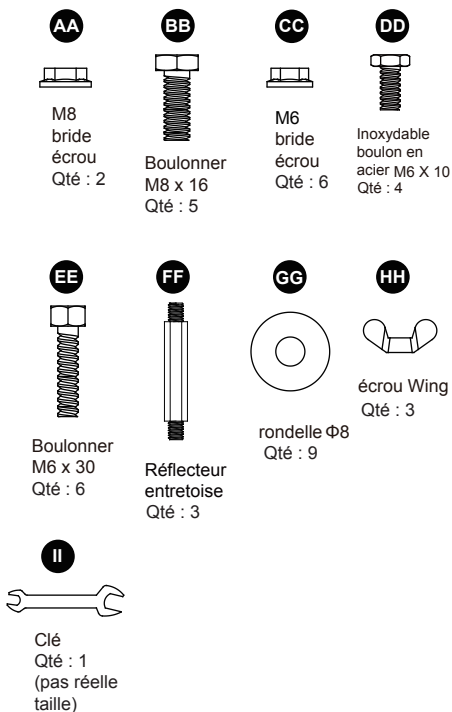
! AVERTISSEMENT

Une installation, un réglage, une modification, une réparation ou un entretien incorrects peuvent entraîner des dommages matériels, des blessures ou la mort. Lire attentivement les instructions d'installation, d'utilisation et d'entretien avant d'installer ou de réparer cet appareil.

Conforms to ANSI STD Z83.26-2020 Certified to CSA STD 2.37-2020 Gasfired outdoor infrared patio heaters



QUINCAILLERIE (taille réelle)



PIÈCE	DESCRIPTION	QUANTITÉ
A	Réflecteur Panel	1
B	Ensemble de tête	1
C	Tuyau de gaz	1
D	Logement cylindre	1
E	Régulateur	1
F	Poster	3
G	Soutien de support	1
H	Base	1
I	Kit de roues	1

S'il vous plaît lire et comprendre ce manuel avant de procéder au montage, fonctionnement et l'installation le produit. Ce manuel contient des renseignements importants au sujet de l'assemblage, de l'utilisation et de l'entretien de la chaufferette d'extérieur, ainsi que des consignes de sécurité générales. Veuillez conserver ce guide pour vous y référer ultérieurement. Il sera également utile pour les nouveaux utilisateurs de ce produit. Consultez ce manuel ainsi que les étiquettes apposées sur le produit. Vous devez prendre des mesures de sécurité pendant l'utilisation d'un appareil mécanisé ou alimenté au propane. Ces mesures de sécurité sont nécessaires au moment de l'utilisation, de l'entreposage et de l'entretien du produit. Vous réduirez les risques de blessure ou de dommage matériel en respectant les instructions et en faisant preuve de prudence lorsque vous utilisez cet appareil. Les symboles suivants sont abondamment utilisés dans ce manuel. Vous devez toujours suivre ces mesures, car elles sont essentielles pour utiliser correctement tout appareil mécanique ou alimenté au gaz.

⚠ DANGER

DANGER indique un risque imminent qui entraînera la mort ou des blessures graves s'il n'est pas prévenu.

⚠ DANGER

Le non-respect des consignes de sécurité et des instructions fournies avec cette chaufferette peut causer la mort, des blessures graves ou des pertes et dommages matériels dus au risque d'incendie, d'explosion, de brûlure, d'asphyxie et d'empoisonnement au monoxyde de carbone. Seules les personnes aptes à comprendre et à suivre les instructions doivent utiliser cette chaufferette ou en faire l'entretien.

⚠ DANGER

- **RISQUES D'EXPLOSION OU D'INCENDIE**
- N'entrez jamais le propane près d'une source de chaleur élevée, d'une flamme nue, d'une veilleuse ou de toute autre source d'inflammation, dans un endroit exposé aux rayons du soleil ou dans un endroit où les températures dépassent 49 °C (120 °F).
- Le gaz propane est plus lourd que l'air. Il peut donc s'accumuler près du sol. Si vous détectez une odeur de gaz, éloignez-vous immédiatement de l'endroit où vous vous trouvez.
- Vous ne devez ni installer ni retirer une bouteille de propane lorsque l'appareil fonctionne, s'il est chaud ou si vous trouvez près d'une flamme, d'une veilleuse ou de toute autre source d'inflammation.
- Cette chaufferette devient brûlante lorsqu'elle est en marche et les produits inflammables risquent de prendre feu s'ils sont trop près du brûleur. Tenez les produits inflammables éloignés d'au moins 83,8 cm du haut de la chaufferette et 83,8 cm de ses côtés. Tenez l'essence et les autres liquides ou vapeurs inflammables loin de la chaufferette.
- La bouteille de propane doit être entreposée à l'extérieur, dans un endroit bien aéré et hors de la portée des enfants.
- N'entrez jamais la bouteille de propane dans un espace clos (maison, garage, etc.). Si vous rangez la chaufferette à l'intérieur, retirez d'abord la bouteille de propane, que vous entreposerez à l'extérieur.

⚠ AVERTISSEMENT

Une installation, un réglage, une modification, une utilisation ou un entretien inadéquat de cet article peut causer des dommages matériels, des blessures ou la mort. Lisez attentivement le mode d'emploi et les instructions sur le fonctionnement et l'entretien avant de procéder à l'installation ou à l'entretien de cet appareil.

⚠ DANGER

- Si vous sentez une odeur de gaz :
1. Coupez l'alimentation en gaz de l'appareil.
 2. Éteignez toute flamme nue.
 3. Si l'odeur persiste, tenez-vous à distance de l'appareil et appelez immédiatement votre fournisseur de gaz ou le service d'incendie.

⚠ DANGER

- **RISQUE LIÉ AU MONOXYDE DE CARBONE**
- Cette chaufferette est un appareil à combustion. Tous les appareils à combustion produisent du monoxyde de carbone (CO) durant la combustion. Ce produit est conçu pour produire de minuscules quantités de CO qui ne représentent aucun danger. Cependant, il doit être utilisé et entretenu conformément à tous les avertissements et à toutes les instructions. N'obstruez pas les entrées et les sorties d'air de la chaufferette.
- Le monoxyde de carbone (CO) entraîne des symptômes semblables à ceux de la grippe : yeux larmoyants, maux de tête, étourdissements et fatigue. Il peut également causer la mort. Il est invisible et inodore, mais il demeure toutefois mortel. Si vous présentez ces symptômes au cours de l'utilisation de l'appareil, recherchez immédiatement de l'air frais!
- Pour usage à l'extérieur seulement.
- N'utilisez jamais ce produit dans la maison ou tout autre espace clos ou non aéré.
- Cette chaufferette consomme de l'air (oxygène). Afin d'éviter de mettre votre vie en danger, n'utilisez pas ce produit dans des endroits clos ou non ventilés.

⚠ AVERTISSEMENT

AVERTISSEMENT indique un risque imminent qui entraînera la mort ou des blessures graves s'il n'est pas prévenu.

⚠ AVERTISSEMENT

Ne stockez pas et n'utilisez pas d'essence ni tout autre liquide ou vapeur inflammable à proximité de cet appareil ou de tout autre appareil. Aucune bouteille de gaz de pétrole liquéfié non utilisée ne doit être rangée à proximité de cet appareil ou de tout autre appareil.

⚠ DANGER

- RISQUES D'EXPLOSION OU D'INCENDIE
- Gardez la chauffeurette à une distance sécuritaire des combustibles solides tels que les matériaux de construction, le papier ou le carton, comme indiqué dans les instructions.
- Assurez-vous qu'il y a suffisamment d'espace autour des orifices d'aération de la chambre de combustion.
- N'utilisez jamais cette chauffeurette dans des endroits qui contiennent ou qui pourraient contenir des combustibles volatils ou en suspension, ou encore des produits comme de l'essence, des solvants, du diluant à peinture, de la poussière ou des produits chimiques inconnus.
- Pendant son utilisation, cet appareil peut être une source d'inflammation. Assurez-vous que l'espace autour de l'appareil est propre et ne contient pas de matières combustibles, d'essence, de diluant à peinture, de solvants de nettoyage et d'autres vapeurs ou liquides inflammables. N'utilisez pas la chauffeurette dans des endroits où il y a beaucoup de poussière. Distance minimale requise entre la chauffeurette et les matières combustibles : 83.8 cm des côtés et 83.8 cm du haut.

⚠ AVERTISSEMENT

Il est impossible de prévoir toutes les utilisations qui seront faites de cet appareil. Veuillez consulter les autorités locales en matière de sécurité incendie si vous avez des questions au sujet de l'utilisation de la chauffeurette. D'autres normes régissent l'utilisation de gaz de combustion et de produits de chauffage utilisés à des fins particulières. Veuillez consulter les autorités locales à ce sujet. Au Canada, l'installation doit être effectuée conformément à la réglementation locale. Si aucune réglementation n'existe, respectez la norme nationale canadienne CAN/CGA-B 149.2.

⚠ AVERTISSEMENT

- Ce produit est alimenté au gaz propane. Le gaz propane est invisible, inodore et inflammable. Une substance odorante est habituellement ajoutée au gaz afin de permettre de détecter les fuites. Elle a une odeur « d'œuf pourri ». Cependant, la substance odorante perd son effet avec le temps. Ainsi, les fuites de gaz ne peuvent pas toujours être détectées à l'odeur.
- Le gaz propane est plus lourd que l'air. C'est pourquoi il s'accumulera le plus bas possible. Des sources d'inflammation comme une allumette, un briquet, une étincelle ou toute flamme nue, même à plusieurs mètres de la fuite, peuvent l'enflammer. Utilisez seulement du gaz propane destiné à être soutiré pour utilisation à l'état gazeux.
- L'entreposage ou l'utilisation du gaz propane doit être conforme aux codes et règlements locaux ou à la norme ANSI/NFPA 58. Coupez l'alimentation en propane lorsque vous ne vous servez pas du gaz.

⚠ AVERTISSEMENT

- Prévenez enfants et adultes des risques que représentent les surfaces pouvant atteindre des températures élevées. Tenez-vous loin de ces surfaces pour éviter de vous brûler ou que vos vêtements prennent feu.
- Surveillez attentivement les jeunes enfants lorsqu'ils se trouvent à proximité de la chauffeurette.
- N'accrochez pas et ne placez pas de vêtements ni de matières inflammables sur la chauffeurette ou près de celle-ci.
- Avant d'utiliser l'appareil après avoir procédé à son entretien, réinstallez tout protecteur que vous auriez pu enlever.
- L'installation et les réparations doivent être effectuées par une personne qualifiée. La chauffeurette devrait être inspectée avant chaque utilisation et au moins une fois par année par une personne qualifiée. Un nettoyage plus fréquent peut être nécessaire. Il est essentiel de garder le compartiment de commande, les brûleurs et le conduit d'aération toujours propres.

⚠ AVERTISSEMENT

Proposition 65 de la Californie
Les sous-produits de combustion résultant de l'utilisation de cet appareil contiennent des produits chimiques reconnus par l'État de la Californie comme étant la cause de cancers, d'anomalies congénitales et d'autres problèmes liés aux fonctions reproductrices.

⚠ AVERTISSEMENT

RISQUE DE BRÛLURE

- Ne laissez jamais la chauffeurette sans surveillance lorsqu'elle est chaude ou en marche.
- Gardez-la hors de la portée des enfants.

⚠ AVERTISSEMENT

Certains matériaux ou objets placés sous la chauffeurette, pendant son utilisation, seront exposés à une chaleur radiante et pourront être considérablement endommagés.

⚠ MISE EN GARDE

CONSIGNES DE SÉCURITÉ RELATIVES À L'ENTRETIEN

- Assurez-vous que tous les branchements et les raccords sont propres. Assurez-vous que le tuyau de sortie de la valve de la bouteille de propane est propre.
- En vous servant d'eau savonneuse, vérifiez au cours de l'assemblage qu'aucun branchement ni raccord ne présente de fuites. N'effectuez jamais cette vérification à l'aide d'une flamme.
- Utilisez seulement ce produit comme appareil de chauffage. Ne le modifiez d'aucune façon et ne l'utilisez avec aucun appareil.

⚠ MISE EN GARDE

MISE EN GARDE indique un risque imminent qui, s'il n'est pas évité, pourrait provoquer des blessures mineures ou moyennement graves, ou des dommages matériels.

⚠ AVERTISSEMENT

Cet appareil est conçu pour une utilisation à l'extérieur seulement.

⚠ DANGER



RISQUE LIÉ AU MONOXYDE DE CARBONE
Cet appareil génère du monoxyde de carbone, un gaz inodore. L'utilisation de cet appareil dans un endroit fermé pourrait causer la mort. N'utilisez jamais cet appareil dans un espace clos comme une caravane, une tente ou une maison.

Avant de commencer l'assemblage du produit, assurez-vous d'avoir toutes les pièces. Comparez les pièces avec la liste du contenu de l'emballage et celle de la quincaillerie. S'il y a des pièces manquantes ou endommagées, ne tentez pas d'assembler le produit. Communiquez avec le service à la clientèle pour obtenir des pièces de rechange.

Temps d'assemblage approximatif : 60 minutes

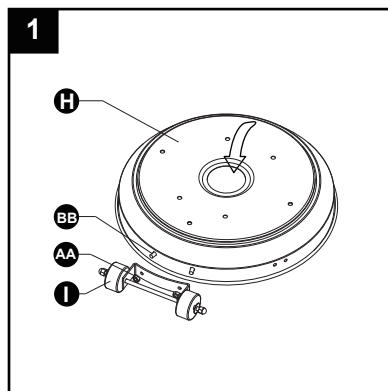
Tools Required for Assembly (not included):
Phillips screwdriver w/ medium blade. Leak Detection Solution.

1. Fixez l'ensemble de roue (I) à la base (H). Trous jusqu'à la ligne dans le support de roue avec les trous correspondants dans la base, insérez deux boulons M8 x 16 (BB) dans les trous et serrez à la main deux écrous type M8 bride (AA). Assurez-vous que la roue est parallèle à la base, et serrez les boulons.

Quincaillerie utilisée

AA M8 Écrou à bride x 2

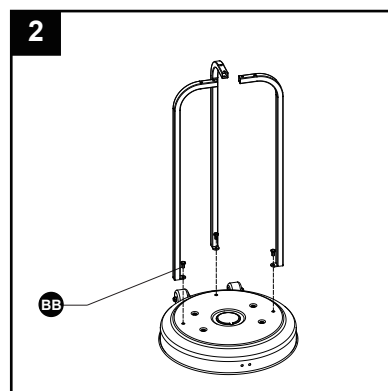
BB Boulon M8 x 16 x 2



2. Fixez trois supports vaguement à la base avec trois boulons M8 x 16 (BB) à la baisse grâce à l'appui entre parenthèses dans la base.

Quincaillerie utilisée

BB Boulon M8 x 16 x 3

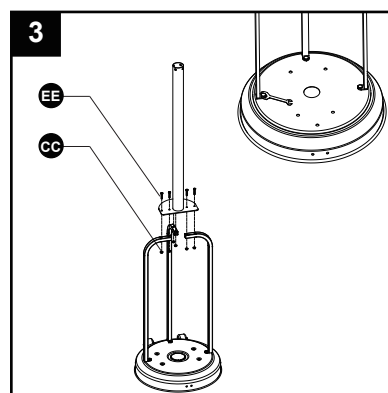


3. Installez poster sur trois supports. jointre poster pour soutenir supports à l'aide de six boulons M6 x 30 et six M6 écrous de la bride. Serrez à fond toutes les vis. Chargez carter cylindre sur la tige.

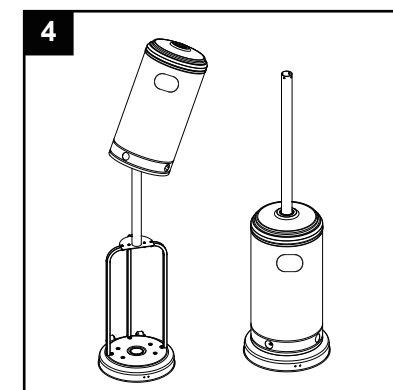
Quincaillerie utilisée

CC M6 Écrou à bride x 6

EE Boulon M6 x 30 x 6



4. Chargez carter cylindre sur la tige. Faites glisser vers le bas carter cylindre.



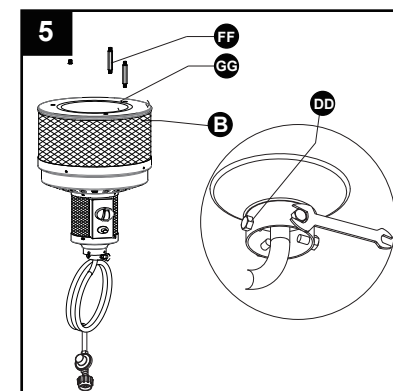
5. Attach entretoises de réflecteur (FF) et trois rondelles Ø8 (GG) de l'écran de recouvrement. Serrez les entretoises réflecteur. Dévissez les quatre boulons en acier inoxydable (DD).

Quincaillerie utilisée

GG Ø8 Rondelle x 3

FF Spacer réflecteur x 3

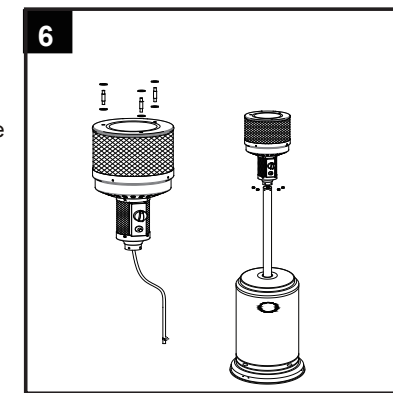
DD Boulon en acier inoxydable x 4



6. Insérez le tuyau de l'ensemble de tête (B) dans le montant (F). Garantir assemblage de la tête (B) au poteau (F) avec de l'acier inoxydable boulons (DD). Remarque: Le bouton de commande sur l'ensemble de la tête (B) doit être au-dessus de la décalcomanie sur le poteau (F). Le cas échéant, vérification visuelle des parties de l'ensemble de tuyau situé dans les limites du poste de chauffage.

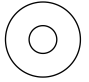

Quincaillerie utilisée

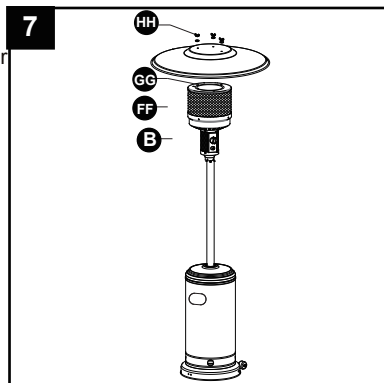
DD Boulon en acier inoxydable x 4



7. Faites glisser les rondelles Ø8 (GG) sur les extrémités filetées réflecteurs (FF). Attacher le réflecteur à assemblage de la tête (B). Placer les rondelles Ø8 (GG) sur les filetages les extrémités des entretoises du réflecteur (FF) dépassent à travers le réflecteur assembler et sécuriser avec des écrous à oreilles (HH).
Note: Ne pas trop serrer.

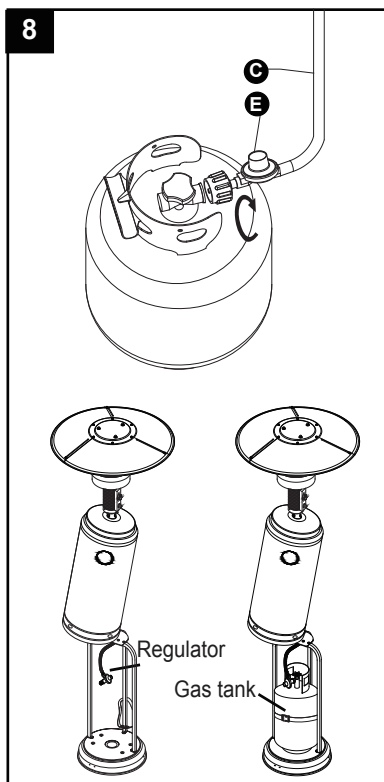
Hardware Used

GG rondelle Ø8		x 6
HH écrou Wing		x 3



8. Visser le tuyau de gaz (C) et le régulateur (E) sur le propane cylindre (non inclus). Ne pas croiser le fil. Chaque partie de l'appareil de chauffage doit être protégée contre le déplacement et doit être construit pour maintenir une relation fixe entre les parties essentielles dans des conditions normales et raisonnables conditions de manipulation et d'utilisation. Pièces non permanentes sécurisé doit être conçu de sorte qu'ils ne peuvent pas être incorrectement assemblé et ne peut pas être mal situé ou mal aligné dans enlever ou remplacer pendant le nettoyage ou autre entretien.

Utiliser un cylindre de propane standard de 20 lb seulement (environ 12,2 pouces / 31 cm de diamètre et 17,9 po. / 45,5 cm de haut). Utilisez ce réchauffeur uniquement avec une vapeur de propane système d'approvisionnement de retrait. Voir le chapitre 5 de la norme pour le stockage et la manutention des gaz de pétrole liquéfiés, ANS / NFPA 58. Votre bibliothèque locale ou votre service d'incendie devrait avoir ce livre. Le stockage d'un appareil à l'intérieur est autorisé seulement si le cylindre est déconnecté et retiré de l'appareil. Un cylindre doit être stocké à l'extérieur dans un endroit bien ventilé hors de la portée de les enfants. Un cylindre débranché doit avoir des capuchons de poussière bien installé et ne doit pas être stocké dans un bâtiment, garage ou toute autre zone fermée. L'entrée maximale pression d'alimentation en gaz: 250 psi / 1750 kPa. Le minimum pression d'alimentation en gaz d'admission: 5 psi / 35kPa. Collecteur pression avec régulateur fourni: 11 pouces W.C / 2,74 kPa. Le régulateur de pression et l'ensemble de tuyau fourni avec l'appareil doit être utilisé. L'installation doit être conforme aux codes locaux, ou en l'absence de codes locaux, avec le code national des gaz combustibles, ANS Z223.1 / NFPA54, gaz naturel et propane code d'installation, CSA B149.1, ou stockage de propane et



Un cylindre de propane bosselé, rouillé ou endommagé peut être dangereux et devrait être vérifié par votre cylindre fournisseur. Ne jamais utiliser un cylindre à propane avec un endommagé raccord de vanne.

Le cylindre propane doit être construit et marqué Conformément aux spécifications du gaz LP Les cylindres du département américain des Transports (DOT) ou la norme pour les bouteilles, les sphères et Tubes pour le transport de marchandises dangereuses et Commission, CAN / CSA-B339.

Le cylindre doit avoir une prévention de remplissage sur liste dispositif.

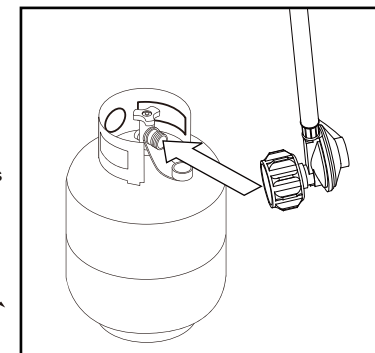
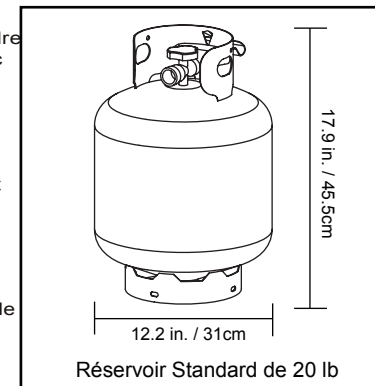
Le cylindre doit disposer d'un dispositif de connexion compatible avec la connexion pour l'appareil.

Le cylindre utilisé doit comporter un collier pour protéger le Valve de cylindre.

Ne jamais connecter un cylindre de propane non réglementé à la chauffe-eau.

Fixez le régulateur au cylindre. Pièce jointe complète. Installer le cylindre.

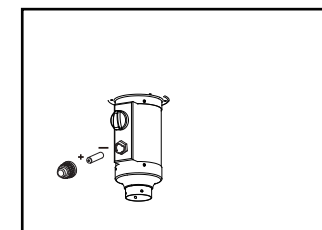
Le bouton du réservoir LP doit être fermé. Sois sûr que Le bouton est tourné Dans le sens des aiguilles d'une montre pour un arrêt complet. Le système d'alimentation en cylindre doit être prévu pour la vapeur retrait. Vérifiez que le bouton de commande sur le contrôle L'appareil est éteint. Tenez le régulateur d'une main et Insérez le mamelon dans la sortie de la soupape. Assurez-vous que le mamelon est centré dans la sortie de la soupape. L'écrou d'accouplement se connecte vers les grands filets extérieurs sur la sortie de la vanne. Serrez à la main l'écrou d'accouplement Dans le sens des aiguilles d'une montre jusqu'à ce qu'il À un arrêt complet. Serrez fermement à la main uniquement. **Déconnecter:** Fermez complètement la vanne du réservoir en tournant Dans le sens horaire. Tourner l'écrou d'accouplement Dans le sens antihoraire jusqu'à ce que l'assemblage du régulateur se détache.



- Ne rangez pas une bouteille de gaz LP sous ou à proximité de cet appareil;
- Ne remplissez jamais la bouteille au-delà de 80%;
- Remettre le capuchon antipoussière sur la sortie du robinet de la bouteille si celle-ci n'est pas utilisée. Utiliser uniquement le type de capuchon antipoussière fourni avec le robinet de la bouteille. D'autres types de capuchons ou de bouchons peuvent ne pas assurer une fermeture étanche.

Dévisser le bouton de l'interrupteur, charger la petite batterie, serrer le bouton de l'interrupteur.

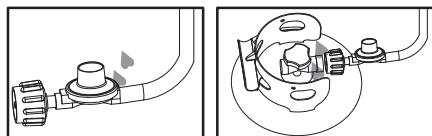
AVERTISSEMENT: Ce produit contient de petites piles. Les petites piles avalées peuvent causer des CHOCS DANGER. Seek attention médicale immédiate si les piles sont avalées ou inhalées. Gardez les enfants loin des petites batteries.



Vérification des fuites

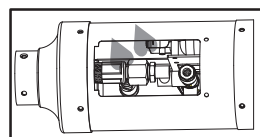
AVERTISSEMENT

- Effectuez toujours la détection des fuites à l'extérieur.
- Éteignez toutes les flammes nues.
- Ne vérifiez JAMAIS la présence de fuites à proximité d'une cigarette allumée.
- N'utilisez la chauffeurette qu'une fois que tous les raccords ont été vérifiés et qu'aucune fuite n'a été détectée.



Raccord tuyau /régulateur

Raccord régulateur /bouteille



1. Préparez de 60 à 90 ml de solution pour détection des fuites (une part de savon à vaisselle liquide et trois parts d'eau).
2. Appliquez plusieurs gouttes de la solution à la jonction entre le tuyau et le régulateur.
3. Appliquez plusieurs gouttes de la solution à la jonction entre le régulateur et la bouteille. Répétez cette étape pour tous les raccords du boyau et de la valve.
4. Assurez-vous que toutes les valves de chauffeurette pour l'extérieur et de luminaire sont fermées.
5. Ouvrez la valve de la bouteille.

Si des bulles se forment sur un raccord, c'est qu'il y a une fuite.

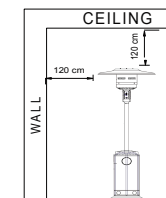
1. Fermez la valve de la bouteille.
 2. Si le raccord tuyau/régulateur fuit : Appliquez du ruban à joints sur la fuite et raccordez à nouveau le régulateur au boyau à l'aide de clés. Si des bulles s'y forment toujours, retournez le tuyau au détaillant.
 3. Si le raccord régulateur/bouteille fuit : Débranchez le régulateur, rebranchez-le et effectuez une autre vérification. Appliquez la solution savonneuse sur tous les raccords du boyau et de la valve. Si des bulles se forment toujours après plusieurs essais, la valve de la bouteille est défectueuse et elle doit être retournée au détaillant vous ayant vendu la bouteille.
- Si AUCUNE bulle n'apparaît sur les raccords, ceux-ci sont sécuritaires.

REMARQUE: Si les raccords viennent à être desserrés ou défaits, effectuez une vérification complète.

4. Terminer l'installation.

DANGER

- RISQUE LIÉ AU MONOXYDE DE CARBONE
- Pour usage à l'extérieur seulement. N'utilisez jamais ce produit dans la maison ou tout autre espace clos ou non aéré. Cette chauffeurette consomme de l'air (oxygène). Afin d'éviter de mettre votre vie en danger, n'utilisez pas ce produit dans des endroits clos ou non aérés.



Mise en garde : Ne tentez pas d'utiliser cet appareil avant d'avoir lu et compris toutes les consignes générales de sécurité contenues dans ce manuel et d'avoir terminé l'assemblage et la vérification des fuites.

Cet appareil doit être utilisé uniquement dans un espace bien ventilé et ne doit pas être utilisé dans un bâtiment, garage ou toute autre zone fermée.

Un appareil peut être installé avec un abri pas plus inclus que:

- 1) Avec des murs de tous les côtés, mais sans couverture aérienne.
- 2) Dans une enceinte partielle qui comprend une couverture supérieure et pas plus de deux parois latérales. Ces parois latérales peuvent être parallèles, comme dans un passage couvert, ou perpendiculaires l'une à l'autre.
- 3) À l'intérieur d'une enceinte partielle qui comprend une couverture supérieure et trois parois latérales, pourvu que 30% ou plus de la périphérie horizontale de l'enceinte soit ouverte en permanence.

Avant d'ouvrir l'alimentation en gaz :

1. La chauffeurette est conçue et certifiée pour un usage à l'extérieur seulement. Ne l'utilisez PAS dans un bâtiment, un garage ou tout autre espace clos.
2. Assurez-vous que l'espace autour de la chauffeurette est exempt de matières combustibles, d'essence ou d'autres vapeurs ou liquides inflammables.
3. Veillez à ce que rien n'entrave la circulation de l'air. Assurez-vous que tous les raccords de gaz sont bien serrés et qu'il n'y a aucune fuite.
4. Veillez à ce que le couvercle de la bouteille soit exempt de tout débris. Assurez-vous que les composants retirés au cours de l'assemblage ou de l'entretien sont replacés et fixés avant d'allumer la chauffeurette.

Avant l'allumage :

1. Le radiateur doit être inspecté minutieusement avant chaque utilisation semestrielle, et par un technicien qualifié au moins annuellement. Si vous rallumez un appareil de chauffage chaud, attendez toujours au moins 5 minutes.
2. Inspectez la partie visible du tuyau avant chaque utilisation de l'appareil. Si le tuyau fuit, il doit être remplacé avant l'opération. Utilisez uniquement le flexible de remplacement spécifié par le fabricant.
3. Le régulateur de pression et le tuyau fournis avec l'appareil doivent être utilisés. Remplacement les régulateurs de pression et les flexibles doivent être ceux spécifiés par le fabricant de l'appareil.

Éclairage:

1. Allumez la soupape sur la bouteille de gaz.
2. Appuyez et tournez le bouton de commande sur la position HIGH (maximum) (sens anti-horaire de 90°). (Figure 1)
3. En maintenant le bouton de commande enfoncé, appuyez plusieurs fois sur le bouton de l'allumeur jusqu'à ce que la flamme principale s'allume.
Relâchez le bouton de commande 10 secondes après l'allumage.
4. Tournez le bouton de commande sur LOW (minimum) et laissez-le pendant 5 minutes ou plus avant de le bouton au réglage de température désiré. (Figure 2)
5. Si la flamme du brûleur s'éteint, éteignez le chauffage et attendez au moins 5 minutes ou plus pour laisser le gaz s'échapper. Dissiper avant de ré-allumer pour éviter l'explosion de gaz.
Répétez les étapes 2 à 4.

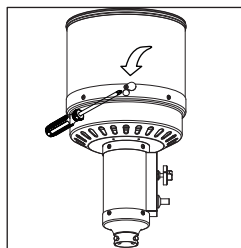


Figure 1

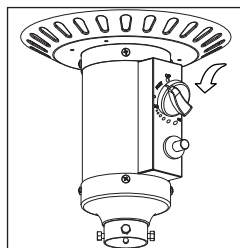
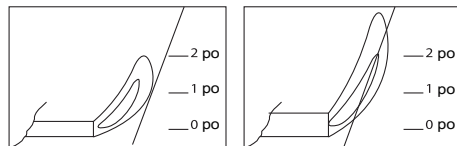


Figure 2

Remarque : Un fonctionnement incorrect peut causer des blessures ou des dommages matériels. Si le pilote ne reste pas allumé, toutes les vannes doit être fermé et une période d'attente d'au moins 5 minutes doit s'écouler avant d'essayer de s'allumer.



Normal

Anormal

Si vous éprouvez des difficultés à effectuer l'allumage, veuillez consulter la section Dépannage de la page 18.

Mise en garde : Évitez d'inhaler la fumée produite par le radiateur à sa première utilisation. La combustion des huiles utilisées au cours de la fabrication produira de la fumée et des odeurs. La fumée et les odeurs se dissiperont après 30 minutes environ. Le radiateur N'EST PAS CENSÉ dégager une épaisse fumée noire.

Remarque : Le brûleur peut être bruyant lors de sa mise en marche initiale. Pour éliminer les bruits excessifs, placez le bouton de commande à la position «PILOT». Tournez ensuite le bouton vis-à-vis du niveau de chaleur désirée.

⚠ AVERTISSEMENT

POUR VOTRE SÉCURITÉ

Soyez prudent lorsque vous tentez d'allumer manuellement la chauffe-rette. Si vous maintenez le bouton d'allumage enfoncé pendant plus de 20 secondes, une boule de feu se formera à l'allumage.

Lorsque la chauffe-rette est allumée :

Écran émetteur deviendra rouge vif en raison de la chaleur intense. La couleur est plus visible la nuit. brûleur affiche des langues de feu bleu et jaune. Ces flammes ne doit pas être de couleur jaune ou produire d'épaisseur fumée noire, indiquant une obstruction du flux d'air à travers les brûleurs. La flamme doit être bleue avec droites sommets jaunes. Si excessive flamme jaune est détectée, éteignez chauffe-eau et consulter «Dépannage» à la page 18.

Rallumage:

1. Tournez le bouton de commande à la position OFF (arrêt).
2. Répétez les étapes de la section Allumage à la page précédente.

⚠ AVERTISSEMENT

POUR VOTRE SÉCURITÉ

Chauffe sera chaud après usage. Manipulez-les avec un soin extrême.

Arrêt:

Tourner dans le sens horaire pour robinet de la bouteille et déconnecter régulateur lorsque le chauffage n'est pas en cours d'utilisation.

Note: Après utilisation, une décoloration de l'écran émetteur est normal.

Liste opération

Pour une expérience sûre et agréable chauffage, effectuer cette vérification avant chaque utilisation.

Avant d'exploitation:

1. Je suis familier avec le manuel du propriétaire entière et comprendre toutes les précautions indiquées.
2. Tous les composants sont correctement assemblés, intact et fonctionnel.
3. Pas de modifications ont été apportées.
4. Tous les raccordements de gaz sont sécurisées et ne fuient pas.
5. La vitesse du vent est inférieure à 10 mph.
6. Appareil fonctionne à une efficacité réduite en dessous de 40 ° C.
7. Le chauffage est à l'extérieur (en dehors de toute pièce jointe).
8. Il ya un système de ventilation d'air frais.

9. Assurez-vous que la chauffeurette n'est pas à proximité d'essence ou de tout autre liquide ou vapeur inflammable.
10. Assurez-vous que la chauffeurette n'est pas à proximité d'une fenêtre, d'un orifice d'entrée d'air, d'un arroseur ou de toute autre source d'eau.
11. Assurez-vous qu'aucune matière combustible ne se trouve à moins de 83.3 cm du haut de la chauffeurette ou à moins de 83.3 cm de ses côtés.
12. Assurez-vous que la chauffeurette est placée sur une surface dure et plane.
13. Vérifiez qu'aucun signe ne laisse présager la présence de toiles d'araignée ou de nids d'insectes dans la chauffeurette.
14. Vérifiez que toutes les conduites du brûleur sont dégagées.
15. Vérifiez que toutes les conduites d'aération du brûleur sont dégagées.
16. Prévenez enfants et adultes des risques que représentent les surfaces pouvant atteindre des températures élevées et demeurez à une distance sécuritaire de l'appareil pour prévenir les brûlures et l'inflammation des vêtements.
17. Surveillez attentivement les enfants lorsqu'ils se trouvent à proximité de la chauffeurette.
18. Évitez d'accrocher ou de placer des vêtements ou d'autres matériaux protecteurs sur la chauffeurette ou près de celle-ci.
19. Avant de mettre la chauffeurette en marche, remplacez tout écran ou autre dispositif de protection ayant été retiré lors de l'entretien.
20. L'installation et les réparations doivent être effectuées par une personne qualifiée. La chauffeurette doit être inspectée avant chaque utilisation et au moins une fois par année par une personne qualifiée.
21. Un nettoyage plus fréquent peut être nécessaire. Il est essentiel que le compartiment de commande, le brûleur et les conduites d'aération de la chauffeurette soient toujours propres.

Après avoir éteint la chauffeurette

1. De contrôle du gaz est à la position OFF.
2. Valve du réservoir de gaz est coupée.
3. Débranchez la conduite de gaz.

⚠ AVERTISSEMENT

POUR VOTRE SÉCURITÉ :

- ÉVITEZ de toucher ou de déplacer la chauffeurette dans les 45 minutes suivant la fin de son utilisation.
- Prenez note que le réflecteur est chaud.
- Laissez le réflecteur refroidir avant de le toucher.

Pour profiter des années de performances exceptionnelles de votre chauffe-eau, assurez-vous d'effectuer les opérations suivantes les activités d'entretien sur une base régulière:

Gardez les surfaces extérieures propres.

1. Utilisez de l'eau tiède savonneuse pour le nettoyage. N'utilisez jamais de nettoyants inflammables ou corrosifs.
2. Lors du nettoyage de votre appareil, assurez-vous de garder la zone autour de l'ensemble brûleur et la veilleuse sec à tous les fois. Ne pas plonger la vanne de régulation. Si la commande de gaz est immergé dans l'eau, faire PAS l'utiliser. Il doit être remplacé.
 - a. Gardez la zone de l'appareil propre et libre de matériaux combustibles, d'essence et d'autres vapeurs et liquides inflammables.
 - b. Ne pas obstruer le flux de combustion et de ventilation.
 - c. Gardez les ouvertures d'aération (s) de l'enceinte cylindrique libres et exemptes de débris.
3. Le débit d'air doit être dégagée. Gardez les contrôles, le brûleur et les passages de circulation d'air propre. Les signes d'un blocage possible:

Vérification visuelle des parties du tuyau assemblées dans les limites du poteau de chauffage. Inspecter l'ensemble du tuyau au moins une fois par an, en démontant le réflecteur et le brûleur. Inspecter le tuyau assemblage pour preuve d'abrasion excessive, de coupures ou d'usure. Les zones suspectes devraient subir un test d'étanchéité. Ensuite, assembler à nouveau le réflecteur et le brûleur en suivant les étapes 6 et 7.

- Une odeur de gaz se dégage et la pointe des flammes est trop jaune.
- L'appareil n'atteint PAS la température souhaitée.
- Le rayonnement lumineux de l'appareil est beaucoup trop inégal.
- L'appareil émet des bruits de claquement.
- Des araignées ou autres insectes peuvent faire leur nid dans le brûleur ou les orifices. Cela peut endommager la chauffeurette et en compromettre la sécurité. Nettoyez les trous des brûleurs à l'aide d'un nettoyeur puissant pour tuyaux. De l'air comprimé peut également aider à éliminer les petites particules.
- Les dépôts de carbone entraînent des risques d'incendie.



Remarque : Un environnement salin (près de la mer, par exemple) accélère la corrosion de l'appareil.

CONSEIL :

Servez-vous d'une cire pour la voiture de haute qualité afin de préserver l'apparence de l'appareil. Appliquez-en sur les surfaces extérieures, de haut en bas. N'en mettez ni sur l'écran du diffuseur, ni sur les dômes.

Rangement

Entre les usages :

- Tournez le bouton de commande à la position OFF (arrêt).
- Retirez l'alimentation en gaz de pétrole liquéfié.
- Rangez la chauffeurette à la verticale, à l'abri des intempéries (comme la pluie, le grésil, la grêle et la neige), de la poussière et des débris.
- Vous pouvez recouvrir l'appareil afin de protéger les surfaces extérieures et d'éviter que les conduites d'aération s'obstruent.

Remarque : Laissez la chauffeurette refroidir avant de la recouvrir.

Lorsque vous transportez l'appareil ou qu'il reste longtemps inutilisé :

- Tournez le bouton de commande à la position OFF (arrêt).
- Retirez la bouteille de gaz de pétrole liquéfié et rangez-la à l'extérieur, dans un endroit sûr et bien aéré.
- Rangez la chaufferette à la verticale, à l'abri des intempéries (comme la pluie, le grésil, la grêle et la neige), de la poussière et des débris.

Vous pouvez recouvrir l'appareil afin de protéger les surfaces extérieures et d'éviter que les conduites d'aération s'obstruent. Veillez à ce que la bouteille de gaz de pétrole liquéfié ne soit pas exposée directement aux rayons du soleil et qu'elle ne soit pas exposée à une chaleur excessive.

Remarque : Laissez la chaufferette refroidir avant de la recouvrir.

Entretien

Les réparations des conduites de gaz et des composantes qui y sont liées doivent être effectuées par un technicien qualifié seulement.

Mise en garde : Laissez la chaufferette refroidir avant de procéder à son entretien.

PROBLÈME	CAUSE POSSIBLE	MESURE CORRECTIVE
Le brûleur ne s'allume pas.	La bouteille de propane est couverte de givre.	Attendez que la bouteille de propane se réchauffe et qu'elle soit dégivrée.
	L'orifice est obstrué.	Enlevez ce qui obstrue l'orifice.
	Le bouton de commande n'est pas réglé à la position ON (marche).	Tournez le bouton de commande à la position ON (marche).
La flamme du brûleur est faible.	La pression de gaz est faible.	Fermez la valve de la bouteille et remplacez-la.
	La température extérieure est inférieure à 4 °C et la bouteille est remplie à moins du quart.	Utilisez une bouteille pleine.
	Le bouton de commande est réglé à la position ON (marche).	Vérifiez que le brûleur et les orifices ne sont pas obstrués.
Il y a accumulation de carbone. L'appareil dégage une épaisse fumée noire.	Il y a de la poussière ou une pellicule sur le réflecteur et l'écran du brûleur.	Nettoyez le réflecteur et l'écran du brûleur.
	Le brûleur est obstrué.	Enlevez ce qui obstrue le brûleur et nettoyez l'intérieur et l'extérieur de celui-ci.

Cet article est examiné, testé et soigneusement emballé afin de prévenir les dommages pouvant être causés lors du transport. Si une pièce (autre que les ampoules et les fusibles*) présente des défauts de matériaux ou de fabrication dans des conditions normales d'utilisation au cours des 365 jours suivant la date d'achat, elle sera réparée ou remplacée. En vertu de cette garantie, l'obligation de l'entreprise est de remplacer ou de réparer, à sa discrétion, les pièces défectueuses. Les dépenses et les dommages entraînés par l'installation, le retrait ou le transport de cet article relèvent de la responsabilité du propriétaire et ne sont pas couverts par cette garantie. Le propriétaire assume tous les risques découlant de l'utilisation ou de l'usage inapproprié de cet article. La garantie sera annulée si l'entreprise considère que les dommages ou les défaillances du produit ont été causés par son propriétaire à cause d'un accident, d'une modification, d'un usage inapproprié ou abusif, d'une installation ou d'un retrait inapproprié, ou d'un raccord à une source d'alimentation inappropriée. L'entreprise n'assume ni n'autorise aucune personne ou entité à assumer en son nom toute obligation ou responsabilité à l'égard de ses produits.

EN

Thanks for purchasing this NUUGARDEN furniture. We are here to help you maximize your enjoyment and appreciation of it.

Please do not hesitate to contact our customer service when you have any questions regarding assembly or accessories.

Add: 6366 Corley Road, Norcross GA 30071.

Tel: (800) 257-7108

Web: <http://www.nuugarden.com>

E-mail: service@nuugarden.com

Service time: Mon-Fri, 8:30 AM-5:30 PM, EST

FR

Merci d'avoir acheté ce meuble NUUGARDEN. Nous sommes ici pour vous aider à maximiser votre plaisir et votre appréciation.

N'hésitez pas à contacter notre service client si vous avez des questions concernant le montage ou les accessoires.

Ajouter: 6366 Corley Road, Norcross GA 30071.

Tél: (800) 257-7108

Site Web: <http://www.nuugarden.com>

Courriel: service@nuugarden.com

Heure de service: du lundi au vendredi, de 8 h 30 à 17 h 30, EST