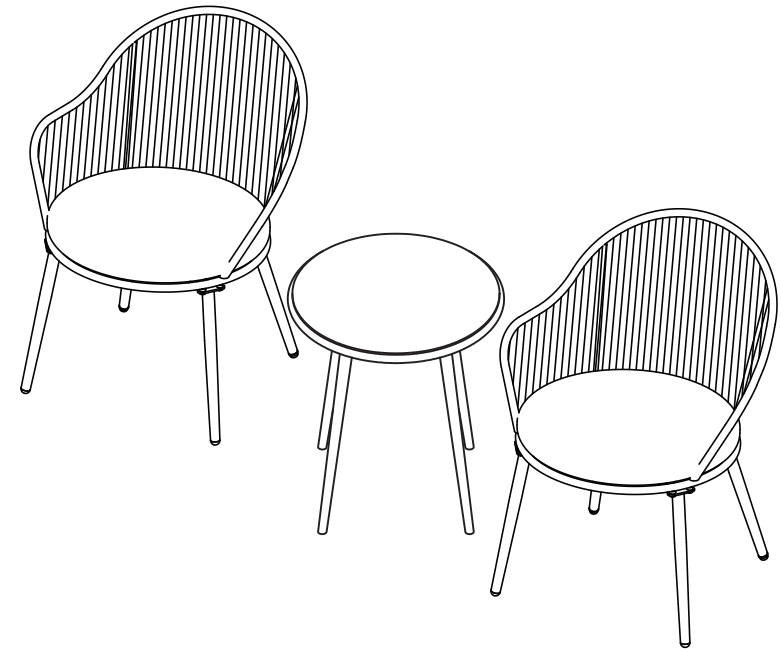




[Avestar USA](#)

Avestar[®]
IMMERSE IN THIS MOMENT



INSTRUCTION MANUAL

SKU: SRD011-01

3 PCS
BISTRO SET

NUU GARDEN CORP.

Add: 6366 Corley Road, Norcross GA 30071.

Tel: (800) 257-7108

Web: <http://www.nuugarden.com>

E-mail: service@nuugarden.com

INTRODUCTION

Thank you for purchasing and trusting NUUGARDEN for your home decorating plans. This home living product is designed and made by NUUGARDEN CORP. We are committed to R&D innovation and to creating the most refined, diverse choices of outdoor collection.

After unpacking and before every use, check whether the item shows any damages. If there is any damage, please call our customer service at (800) 257-7108 or send an email to service@nuugarden.com. In addition, please check that you have all the parts and hardwares before assembly. If you have some parts missing, please also feel free to contact us.

This product is intended for both indoor and outdoor use. Please take time to read and follow the instruction below because warranties are voided by evidence of excessive soiling, improper cleaning or treatment, abuse, or abnormal use.



CARE AND MAINTENANCE

Follow the below instruction for Avestar product to make sure that it stays in the best condition for as long as possible. The information below is only intended as a general guideline. For more information, please contact us.

- Only rinse it thoroughly with clean water to wash away dirt and grime. Never use abrasive cleansers on the furniture, since it can damage the surfaces and leave scratch marks.
- For the stubborn grime and stains, just use a soft sponge and mild soapy water and then dry it with a cloth or paper towel.
- Check the stability of the screws, nuts and nut caps prior to each use. Tighten up them after every one to two months' use whenever required.
- Avoid improper use, and be careful not to scratch or damage the surface with sharp objects.
- When you move the furniture, make sure you lift it rather than pull or push it in order to avoid damaging the legs and the floor.

CUSTOMER SERVICE

Thank you for purchasing from Avestar under NUUGARDEN CORP. We are here to help you maximize your enjoyment and appreciation.

Please do not hesitate to contact our customer service when you have any questions regarding assembly or missing parts.

Add: 6366 Corley Road, Norcross GA 30071.

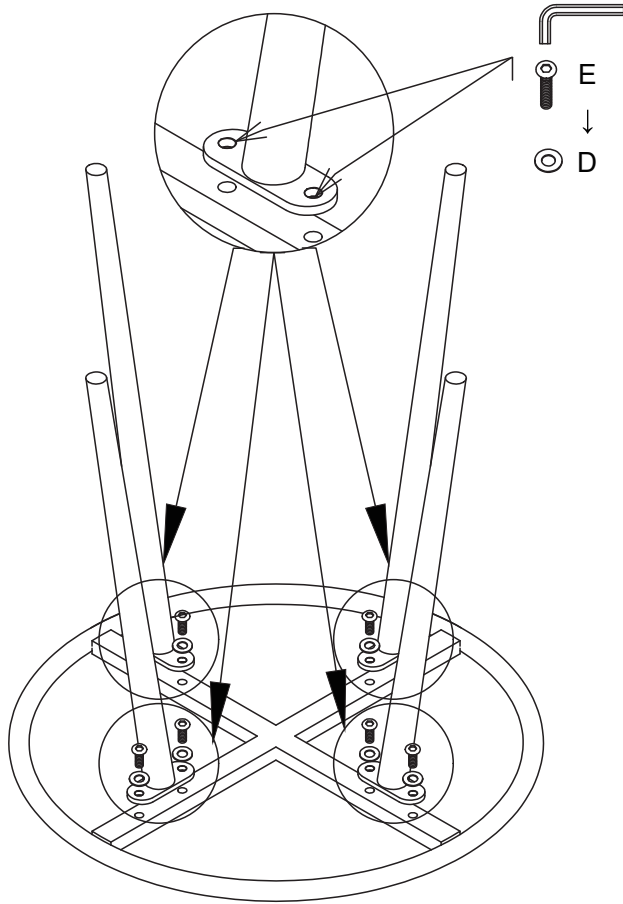
Tel: (800) 257-7108

Web: <http://www.nuugarden.com>

E-mail: service@nuugarden.com

Service time: Mon-Fri, 8:30 AM-5:30 PM, EST

1

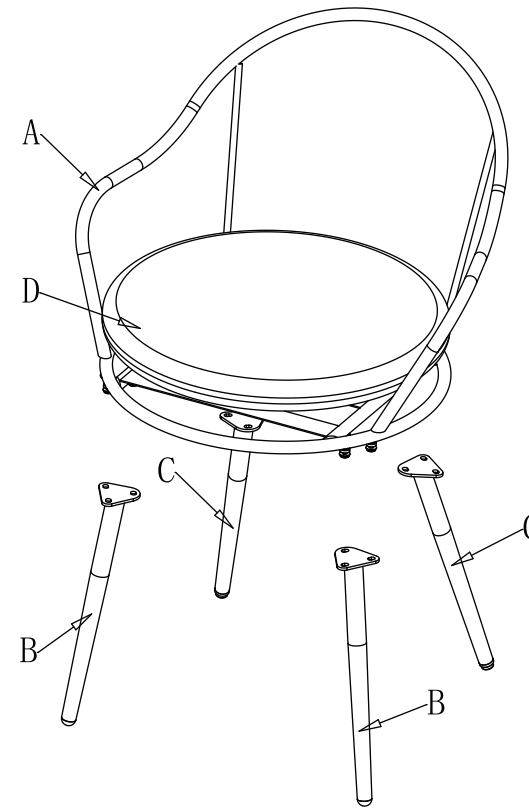
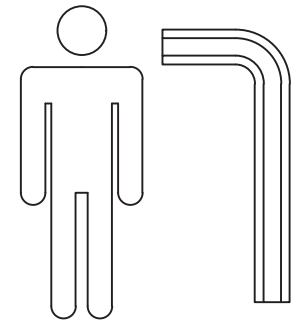
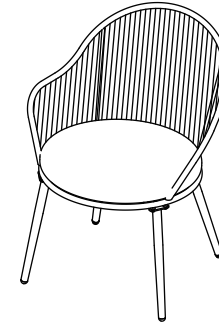


STEP1

Assemble table legs(B) to the table top frame (A) with 8 washers (D) and 8 bolts (E) using wrench.

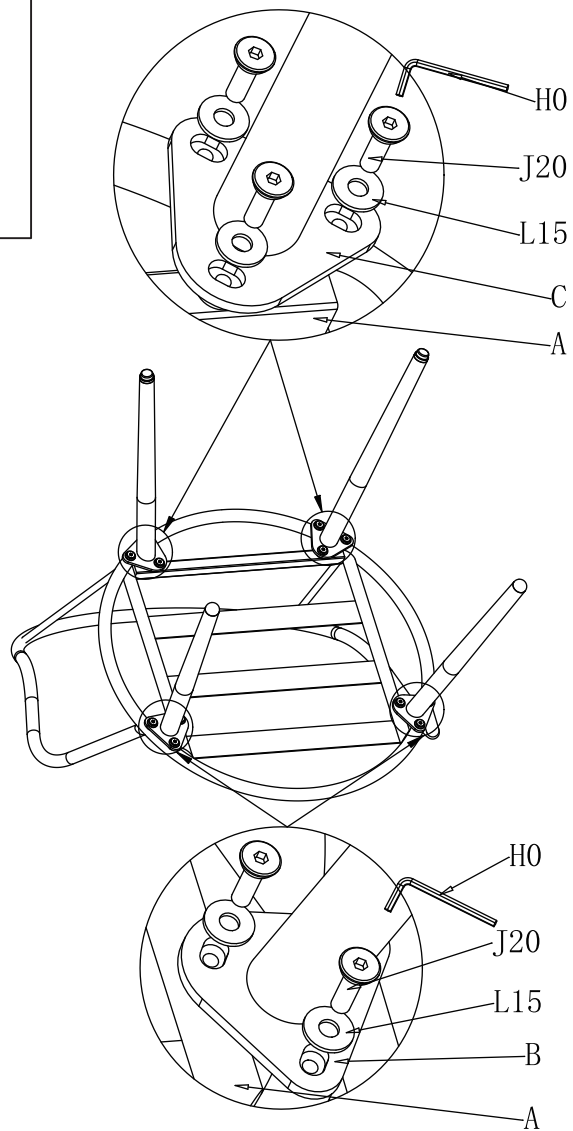
STEP2

Secure and tighten all the components. Attached glass table top (C) on the table top frame (A).



Part Number	Images and Sizes	Qty.
A		1
B		2
C		2
D		1
H0		1
J20		12
L15		12

1

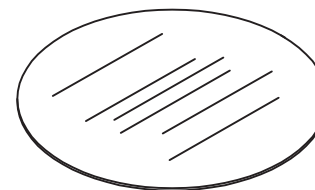
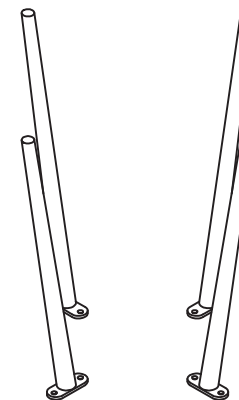
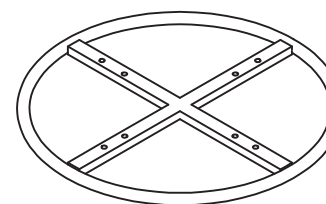
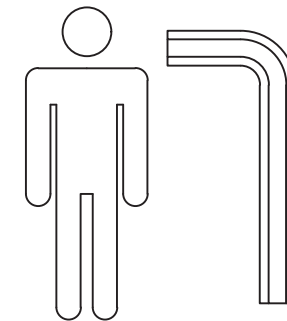
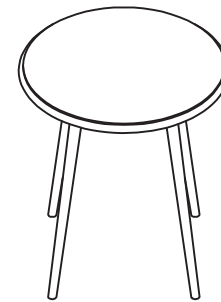


STEP1

Assemble the 2 front legs (B) and the 2 behind legs(C) to the seat (A) by 3 washers (L15) and 3 bolts (J20) respectively.

STEP2

Secure and tighten all the components and attached cushions.



Part Number	Images and Sizes	Qty.
A		1
B		4
C		1
D	 M6*ø15	8
E	 M6*15	8