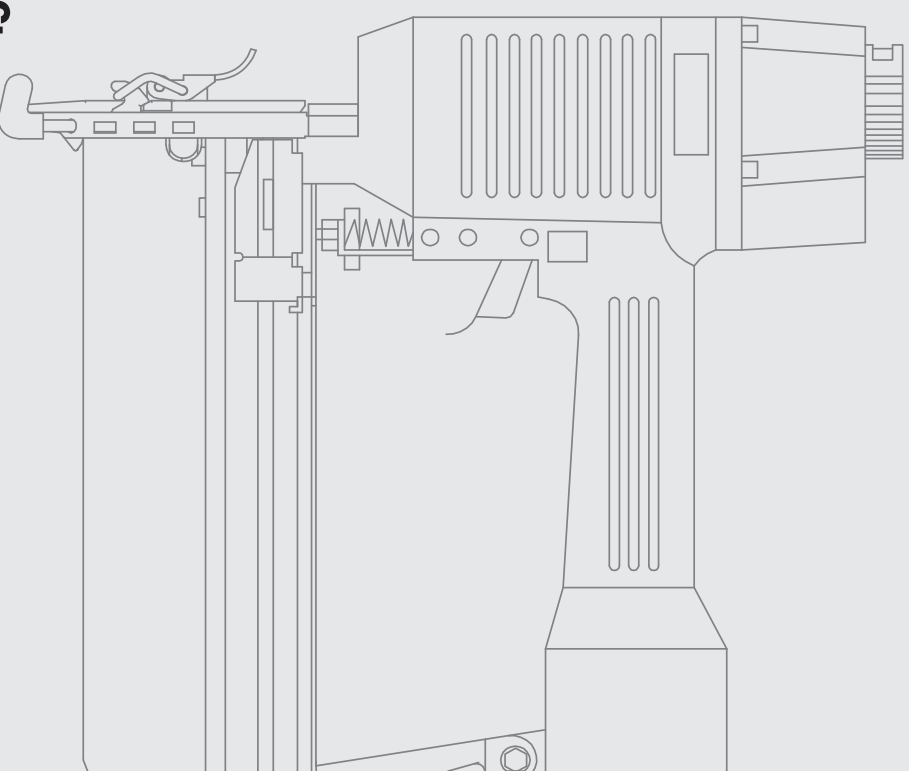




- [HTTP://WWW.NUMAXTOOLS.COM](http://www.numaxtools.com)
- 1-888-669-5672
- PRIME GLOBAL PRODUCTS, INC.

MODEL: SFNG4

16 GA. 2-1/2" STRAIGHT FINISH NAILER



WARNING:

Failure to follow warnings could result in DEATH OR SERIOUS INJURY.

SAVE THIS MANUAL FOR FUTURE REFERENCE.

- [HTTP://WWW.NUMAXTOOLS.COM](http://www.numaxtools.com)
- 1-888-669-5672
- PRIME GLOBAL PRODUCTS, INC.

GENERAL SAFETY RULES	P3
UNPAKING	P6
FEATURES	P6
OPERATION	P7
ADJUSTING THE EXHAUST	P7
LOADING FASTENERS	P7
UNLOADING FASTENERS	P8
CLEARING JAMS	P8
NON-MARRING PAD	P9
SETTING THE AIR PRESSURE	P9
DEPTH ADJUSTMENT	P9
FIRING THE TOOL	P9
MAINTENANCE	P9
RECOMMENDED HOOKUP	P10
TROUBLESHOOTING	P11
WEARING PARTS	P11
WARRANTIES	P12

⚠ WARNING:

The warnings and precautions discussed in the manual cannot cover all possible conditions and situations that may occur. It must be understood by the user that common sense and caution are factors which cannot be built into this product, but must be supplied by the user.

SAVE THIS MANUAL

- Keep this manual for the safety warnings, precautions, operations, inspections and maintenance. Keep this manual and the receipt in a safe and dry place for future reference.

⚠ WARNING: To avoid serious personal injury, do not attempt to use this product until you read the manual thoroughly and understand it completely. Save this manual and review frequently for continuing safe operation and instructing others who may use this tool.

SYMBOLS

- In this manual, on the labels, packages and all other information provided with this tool. The following signal words and meanings are intended to explain the levels of risk associated with this tool.

SYMBOLS	SIGNAL	MEANING
	WARNING:	Indicates a potentially hazardous situation, which, if not avoided, could result in death or serious injury.
	CAUTION:	Indicates a potentially hazardous situation, which, if not avoided, may result in minor or moderate injury.
	CAUTION:	(Without symbol) Indicates a situation that may result in property damage.

GENERAL SAFETY RULES

INSTRUCTIONS PERTAINING TO A RISK OF FIRE, ELECTRIC SHOCK, OR INJURY TO PERSONS.

⚠ WARNING: When using tools, basic precautions should always be followed, including the following:

CALIFORNIA PROPOSITION 65

⚠ WARNING: This product or its power cord may contain chemicals known to the State of California to cause cancer and birth defects or other reproductive harm. Wash hands after handling.

PERSONAL SAFETY

- **Do not nail on top of another nail.** This is able to cause the nail to be deflected and hit someone, or cause the tool to react and result in a risk of injury to persons.
- **Remove finger from the trigger when not driving fasteners.** Never carry the tool with finger on trigger, the tool is able to fire a fastener.
- **Always wear eye protection.** Operator and others in the work area should always wear ANSI-approved safety goggles with side shields. Eye protection is used to guard against flying fasteners and debris, which may cause severe eye injury.
- **Always wear hearing protection when using the tool.** Prolonged exposure to high intensity noise may cause hearing loss.
- **Use safety equipment.** A dust mask, non-skid safety shoes and a hard hat must be used for the applicable conditions. Wear a full face shield if you are producing metal filings or wood chips.
- **Dress properly. Do not wear loose clothing or jewelry.** Contain long hair. Keep your hair, clothing, and gloves away from moving parts. Loose clothes, jewelry, or long hair can be caught in moving parts.
- **Stay alert, watch what you are doing and use common sense when operating a power tool.** Do not use tool while tired or under the influence of drugs, alcohol, or medication. A moment of inattention while operating the tool may cause serious injury.
- **Avoid unintentional firing.** Keep fingers away from trigger when not driving fasteners, especially when connecting the tool to the air supply.
- **Keep proper footing and balance at all times.** Proper footing and balance enables better control of the tool in unexpected situations.

WORK AREA

- **Keep the work area clean and well lighted.** Cluttered benches and dark areas increase the risks of accidents.
- **Do not operate the tool in explosive atmospheres, such as in the presence of flammable liquids, gases, or dust.** The tool creates a spark which may ignite flammable liquids, gases or dust.
- **Keep bystanders, children, and others away while operating the tool.** Distractions could result in improper use and cause injury.
- **Avoid unintentional misfires.** Always use caution to avoid accidentally firing. Do not point towards yourself or anyone whether it contains fasteners or not.

- Do not use on a ladder or unstable supports. Stable footing on a solid surface enables better control of the tool in unexpected situations.
- Make sure the hose is free of obstructions or snags. Entangled or snarled hoses can cause loss of balance or footing and may become damaged, resulting in possible injury.
- Do not overreach. Keep proper footing and balance at all times. Proper footing and balance enables better control of the tool in unexpected situations.
- Do not attach the hose or tool to your body.
- Attach the hose to the structure to reduce the risk of loss of balance if the hose shifts.
- Always assume that the tool contains fasteners. Do not point the tool toward yourself or anyone whether it contains fasteners or not.
- Wash hands after handling. This product or its power cord may contain chemicals known to the State of California to cause cancer and birth defects or other reproductive harm.

TOOL USE AND CARE

- Know this tool. Read manual carefully, learn its applications and limitations, as well as the specific potential hazards related to this tool.
- Use only fasteners that are recommended for your models. Do not use the wrong fasteners or load the fasteners incorrectly.
- Check for misalignment or binding of moving parts, breakage of parts, and any other condition that may affect the tool's operation. If damaged, have the tool serviced before using. Many accidents are caused by poorly maintained tools.
- Maintain tools with care. Keep tool clean. A properly maintained tool, reduces the risk of binding and is easier to control.
- Store tools out of the reach of children and other untrained people. Tools are dangerous in the hands of untrained users.
- Check operation of the tool before use. Do not use the tool if the workplace contact mechanism is not working correctly as accidental driving of a fastener may occur.
- Do not use tool if trigger does not actuate properly. Any tool that cannot be controlled with the trigger is dangerous and must be repaired.
- Do not force tool. Use the correct tool for your application. The correct tool will do the job better and safer at the rate for which it is designed.
- Use clamps or another practical way to

Secure and support the workpiece to a stable platform. Holding a tool by hand or against the body is unstable and may lead to loss of control.

- Keep the tool and its handle dry, clean and free from oil and grease. Always use a clean cloth when cleaning. Never use the tool in gasoline, petroleum-based products, or any strong solvents to clean your tool.
- Do not use the tool as a hammer.
- Never use this tool in a manner that could cause a fastener to be directed toward anything other than the workpiece.
- Never use gasoline or other flammable liquids to clean the tool. Never use the tool in the presence of flammable liquids or gases. Vapors could ignite by a spark and cause an explosion which will result in death or serious personal injury.
- Do not remove, tamper with, or otherwise cause the trigger lock or trigger to become inoperable. Do not operate any tool which has been modified in a like fashion. Death or serious personal injury could result.
- Do not touch the trigger unless driving fasteners. Never attach air line to tool or carry tool while touching the trigger. The tool could eject a fastener which will result in death or serious personal injury. Also actuate the trigger lock to the safe position when not in use.
- Always fit tool with a fitting or hose coupling on or near the tool in such a manner that all compressed air in the tool is discharged at the time the fitting or hose coupling is disconnected. Do not use a check valve or any other fitting which allows air to remain in the tool. Death or serious personal injury could occur.
- Never place hands or any other body parts in the fastener discharge area of the tool. The tool might eject a fastener and could result in death or serious personal injury.
- Never carry the tool by the air hose or pull the hose to move the tool or a compressor. Keep hoses away from heat, oil and sharp edges. Replace any hose that is damaged, weak or worn. Personal injury or tool damage could occur.
- Always assume the tool contains fasteners. Respect the tool as a working implement; no horseplay.
- Always keep others at a safe distance from the work area in case of accidental discharge of fasteners. Do not point the tool toward yourself or anyone whether it contains

fasteners or not. Accidental triggering of the tool could result in death or serious personal injury.

- Do not drop or throw the tool. Dropping or throwing the tool can result in damage that will make the tool unusable or unsafe. If the tool has been dropped or thrown, examine the tool closely for bent, cracked or broken parts and air leaks. STOP and repair before using, or serious injury could occur.
- Avoid using the tool when the magazine is empty. Accelerated wear on the tool may occur.
- Clean and check all air supply hoses and fittings before connecting the tool to an air supply. Replace any damaged or worn hoses or fittings. Tool performance or durability may be reduced.
- Do not use the tool if it leaks air or does not function properly.
- Do not operate the tool if it does not contain a legible warning label.
- Always carry the tool by the handle. Never carry the tool by the air hose.

TOOL SERVICE

- Use only accessories that are identified by the manufacturer for the specific tool model.
- Use of unauthorized parts or failure to follow maintenance instructions may create a risk of injury.
- Use only the lubricants supplied with the tool or specified by the manufacturer.
- Tool service must be performed only by qualified repair personnel.

OPERATION

- Do not drive fasteners near edge of material. The workpiece may split causing the fastener or ricochet, injuring you or people around.
- Do not carry the tool from place to place holding the trigger. Accidental discharge could result. Choice of triggering method is important. Check manual for triggering options.
- During normal use the tool will recoil immediately after driving a fastener. This is a normal function of the tool. Do not attempt to prevent the recoil by holding the tool against the work. Restriction to the recoil can result in a second fastener being driven from the tool. Grip the handle firmly and let the tool do the work. Failure to heed this warning can result in serious personal injury.
- Do not drive fasteners on top of other fasteners or with the tool at an overly steep angle as this may cause deflection of fasteners which could cause injury.

- Do not actuate the tool unless you intend to drive a fastener into the workpiece.
- Always handle the tool with care:
 - ◆ Never engage in horseplay.
 - ◆ Never pull the trigger unless nose is directed toward the work.
 - ◆ Keep others a safe distance from the tool while tool is in operation as accidental actuation may occur, possibly causing injury.

AIR SUPPLY AND CONNECTIONS

- The connector on the tool must not hold pressure when air supply is disconnected. If an incorrect fitting is used, the tool can remain charged with air after disconnecting and thus will be able to drive a fastener even after the air line is disconnected, possibly causing injury.
 - Do not use any type of reactive gas, including, but not limited to, oxygen and combustible gases, as a power source. Use filtered, lubricated, regulated compressed air only. Use of a reactive gas instead of compressed air may cause the tool to explode which will cause death or serious personal injury.
 - Use only a pressure-regulated compressed air source to limit the air pressure supplied to the tool. The regulated pressure must not exceed 100 psi. If the regulator fails, the pressure delivered to the tool must not exceed 200 psi. The tool could explode which will cause death or serious personal injury.
 - Always disconnect air source:
 - ◆ Before unloading or making adjustments.
 - ◆ When maintaining the tool.
 - ◆ When clearing a jam.
 - ◆ When touching the safety yoke.
 - ◆ When tool is not in use.
 - ◆ When moving to a different work area.
- Such precautionary measures reduce the risk of injury to persons.

LOADING TOOL

- Do not load the tool with fasteners when any one of the operating controls is activated.
- Never place a hand or any part of body in fastener discharge area of tool.
- Never point tool at anyone.
- Do not pull the trigger or depress the workpiece contact as accidental actuation may occur, possibly causing injury.

▲ WARNING:
The warnings and precautions discussed above cannot cover all possible conditions and situations that may occur. It must be understood by the user that common sense and caution are factors which cannot be built into this product, but must be supplied by the user.

UNPACKING

- This tool has been shipped completely assembled.
- Carefully remove the tool and any accessories from the box.
- Inspect the tool carefully to make sure no breakage or damage occurred during shipping.
- Do not discard the packing material until you have carefully inspected and satisfactorily operated the tool.
- If any parts are damaged or missing, please call 1-888-669-5672.

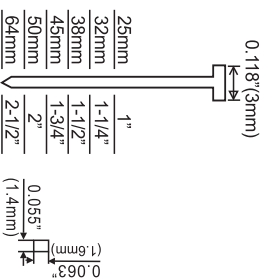
▲ WARNING:
If any parts are missing do not operate this tool until the missing parts are replaced. Failure to do so could result in possible serious personal injury.

▲ WARNING:
Do not attempt to modify this tool or create accessories not recommended for use with this tool. Any such alteration or modification is misuse and could result in hazardous condition leading to possible serious personal injury.

FEATURES

SPECIFICATIONS

- REQUIRES: 7.93 SCFM with 100 fasteners per minute @ 90 psi
- AIR INLET : 1/4 inch NPT
- MAGAZINE CAPACITY: 100 fasteners, 16 gauge
- WEIGHT: 4.07 lbs
- MAXIMUM PRESSURE: 110 psi
- PRESSURE RANGE: 70 psi - 110 psi
- PIN SIZE RANGE: 1 inch to 2-1/2 inch



Compatible with generic brands of 16 gauge straight finish nails.

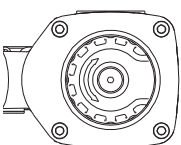
FEATURES

- **360° ADJUSTABLE EXHAUST**
Allows user to direct air away from face.
- **ONE PIECE DRIVER BLADE**
For increased durability.
- **COMFORT-GRIP HANDLE**
For increased comfort and control.
- **ERGONOMICALLY ENGINEERED BODY**
Rugged and Comfortable resulting in a lightweight tool great for extended use.
- **ADJUSTABLE DEPTH**
Depth is easily adjustable for various applications.
- **QUICK-JAM RELEASE**
Allows for easy access cleaning in the event of a jam.
- **NON-MARRING SAFETY CONTACT**
Eliminates damage to working surfaces.

OPERATION

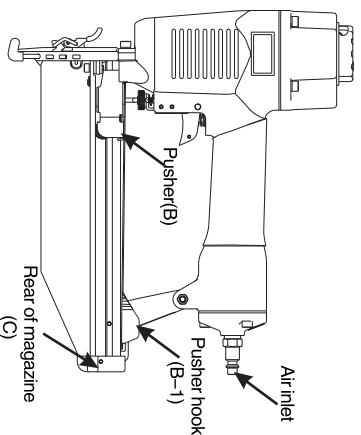
ADJUSTING THE EXHAUST

The adjustable exhaust on the cap of the tool allows users to direct the exhaust according to operator preference. To adjust the direction, turn the exhaust cap in the desired direction.

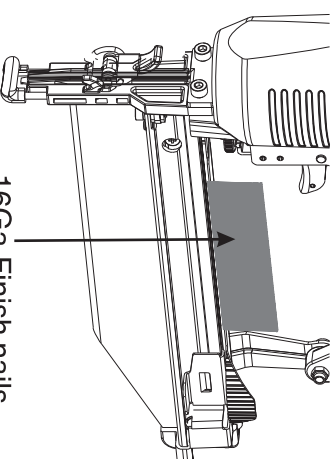


LOADING FASTENERS

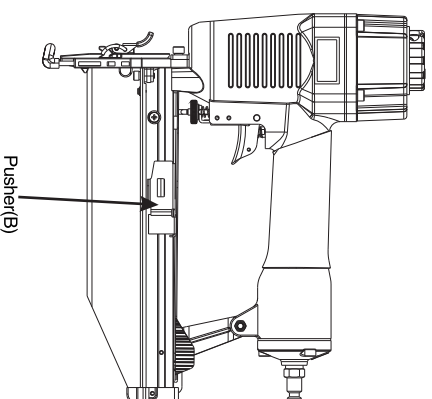
1. Connect the tool to the air source.
2. Pull pusher(B) back to magazine rail until it locked into Pusher hook (B-1).



3. Insert strip of fasteners into magazine from the top. Up to 100pcs nails can be loaded into magazine. Be sure the fasteners are pointed DOWNWARD.



4. Press the pusher hook(B-1), then slowly release the pusher (B), it slides back to the magazine. Then pusher will stop when it resists against the end of fasteners.



▲ WARNING:

The tool may fire when it first connected to the air source. Always connect the tool to the air source before loading fasteners to prevent injury from unintended cycling. Always make sure the tool's magazine is empty at the beginning of each work session, before connecting to an air source.

▲ WARNING:

Use only those fasteners recommended for use with this tool. Fasteners not identified for use with this tool by the tool manufacturer are able to result in a risk of injury to persons or tool damage when used in this tool.

▲ WARNING:

Keep the tool pointed away from yourself and others when loading fasteners. Failure to do so could result in possible serious personal injury.

▲ WARNING:

Never load fasteners with the workpiece contact or trigger activated. Doing so could result in possible serious personal injury.

UNLOADING FASTENERS

Unloading is the reverse of loading, except always disconnect the air source before unloading.

▲ WARNING:

Always unload all fasteners before removing tool from service.

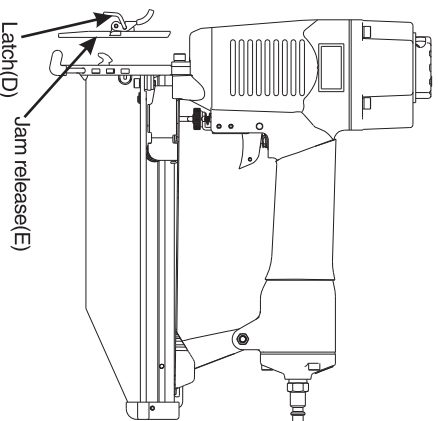
▲ WARNING:

Always disconnect the air source before unloading.

CLEARING JAMS

Occasionally, a fastener may become jammed in the firing mechanism of the tool, making the tool inoperable. To remove a jammed fastener, follow the steps below:

1. Disconnect the tool from air source.
2. Remove fasteners from the tool. Failure to do so will cause the fasteners to eject from the front of the tool.
3. Pull up on the latch(D) and open the jam release(E).
4. Using caution not to bend or damage the driver blade, using pliers or a screwdriver if required to clear the jammed fastener.
5. Close the jam release and latch.
6. Reconnect the tool to the air source.
7. Reload the tool with fasteners.

**▲ WARNING:**

Make sure there is no fastener in the magazine before clearing a jam.

▲ WARNING:

Disconnect the tool from the air source whenever clearing a jam. After disconnecting the tool from the air compressor, there should still be enough air pressure to fire the tool. After the air hose is disconnected, always fire the tool into scrap wood repeatedly to make sure all of the compressed air is expended.

NON-MARRING PAD

The non-marring pad attached the nose of the tool helps prevent marring and denting when working with softer woods.

▲ WARNING:

Disconnect the tool from the air source before removing or replacing the non-marring pad or replacing the no-marring pad. Failure to do so could result in serious personal injury.

SETTING THE AIR PRESSURE

The amount of air pressure required depends on the size of the fasteners and the workpiece material. Begin testing the depth of drive by driving a test nail into the same type of workpiece material used for the actual job.

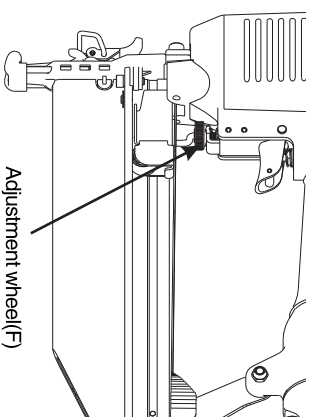
Drive a test fastener with the air pressure set at 90–95psi. Raise or lower the air pressure to find the lowest setting that will perform the job with consistent results.

It may be possible to achieve the desired depth with air pressure adjustments alone.

DEPTH ADJUSTMENT

The driving depth of the fasteners are adjustable. To adjust the depth, use the drive depth adjustment wheel(F) on the tool.

1. Disconnect the tool from the air source.
2. Turn the depth wheel left or right to change the driving depth.
3. Reconnect the tool to the air source.
4. Drive a test nail after each adjustment until the desired depth is set.

**CAUTION:**

It is advisable to test the depth on a scrap workpiece to determine the required depth for the application.

To determine depth of drive, first adjust the air pressure and drive a test fastener. Never exceed 120psi.

FIRING THE TOOL (SINGLE SEQUENTIAL MODE)

The tool is specially designed for single sequential mode. This mode requires the trigger to be pulled each time a fastener is driven. The tool can be actuated by depressing the work contact element against the work surface followed by pulling the trigger.

The trigger must be released to reset the tool before another fastener can be driven.

▲ WARNING:

During normal use the tool will recoil immediately after driving a fastener. This is a normal function of the tool. Do not attempt to prevent the recoil by holding the tool against the work. Restriction to the recoil can result in a second fastener being driven from the tool. Grip the handle firmly and let the tool do the work. Failure to heed this warning can result in serious personal injury.

MAINTENANCE**▲ WARNING:**

Any time inspection, maintenance, and cleaning are done:
 ◆ Disconnect the tool from the air source.
 ◆ Empty the magazine completely.

ANTI-DUST

Each tool is packed with an anti-dust cap on the air connector.

Keep the anti-dust cap cover the air connector when the tool is not in use.

LUBRICATION

Frequent, but not excessive, lubrication is required for best performance after long periods use. Oil for pneumatic fastening tools is added through the air line connection and will lubricate internal parts. Do not use detergent oil or additives as these lubricants will cause accelerated wear to the seals and bumpers in the tool, resulting in poor tool performance and frequent tool maintenance.

RECOMMENDED HOOKUP

1. The air compressor must be able to maintain a minimum of 70 psi when the tool is being used.
2. An inadequate air supply can cause a loss of power and inconsistent driving. An oiler can be used to provide oil circulation through the tool. A filter can be used to remove liquid and solid impurities which can rust or gum up internal parts of the tool.
3. Always use air supply hoses with a minimum working pressure rating equal to or greater than the pressure from the power source if a regulator fails, or 150 psi, whichever is greater. Use 3/8" air hose for runs up to 50 and 3/8" quick coupler on the air hose.
4. Use a pressure regulator on the compressor, with an operating pressure of 0–125 psi. A pressure regulator is required to control the operating pressure of the tool between 70 and 110 psi.

CAUTION:
Lubricate tool only with specified lubricants.

CLEANING

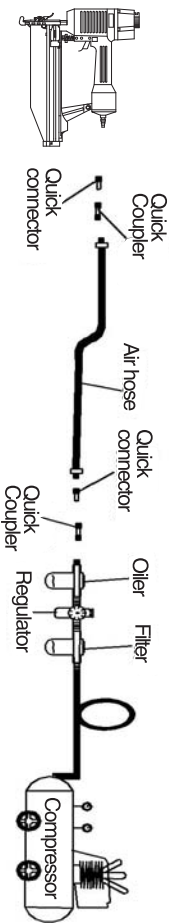
Avoid using solvents when cleaning plastic parts. Most plastics are susceptible to damage from various types of commercial solvents and may be damaged by their use. Use clean cloths to remove dirt, dust, oil, grease, etc.

▲ WARNING:
Do not at any time let brake fluids, gasoline, petroleum-based products, penetrating oils, ect., come in contact with plastic parts. Chemicals can damage, weaken or destroy plastic which may result in serious personal injury.

COLD WEATHER OPERATION

For cold weather operation, near and below freezing, the moisture in the air line may freeze and prevent tool operation. We recommend the use of air tool lubricant or permanent antifreeze (ethylene glycol) as a cold weather lubricant.

CAUTION:
Do not store tools in a cold weather environment to prevent frost or ice formation on the tool's operating valves and mechanisms that could cause tool failure.



CAUTION:
The air compressor must be able to maintain a minimum of 70 psi when the tool is being used. An inadequate air supply can cause a loss of power and inconsistent driving.

▲ WARNING:
Do not connect with an air compressor which can potentially exceed 200 psi. As tool may burst, possibly causing injury.

TROUBLESHOOTING

▲ WARNING:
Stop using tool immediately if any of the following problems occur. Serious personal injury could result. Any repairs or replacements must be done by a qualified service person or authorized service center.

PROBLEMS	POSSIBLE CAUSE(S)	CORRECTIVE ACTION
Air leaking at trigger valve area.	O-rings in trigger valve housing are damaged.	Replace O-rings. Check operation of work contact element (WCE).
Air leaking between the housing and nose.	1. Loose screws in housing. 2. Damaged O-rings. 3. Damaged to bumper.	1. Tighten screws. 2. Replace O-rings. 3. Replace bumper.
Air leaking between the housing and cap.	1. Loose screws 2. Damaged gasket	1. Tighten screws. 2. Replace gasket.
Tool skips driving fastener.	1. Worn bumper. 2. Dirt in nose piece. 3. Dirt or damage prevent fasteners or pusher from moving freely in magazine. 4. Damaged pusher spring. 5. Inadequate air flow to tool. 6. Worn O-ring on piston or lack of lubrication. 7. Damaged O-ring on trigger valve. 8. Air leaks. 9. Cap seal leaking.	1. Replace bumper. 2. Clean drive channel. 3. Clean magazine. 4. Replace spring. 5. Check fitting, hose, or compressor. 6. Replace and lubricate O-rings. 7. Replace O-rings. 8. Tighten screws and fittings. 9. Replace gasket.
Tool runs slow or has loss of power.	1. Tool not lubricated sufficiently. 2. Broken spring in cylinder cap. 3. Exhaust port in cap is blocked.	1. Lubricate nailer. 2. Replace spring. 3. Replace damaged internal parts.
Fasteners are jammed in tool.	1. Guide on driver is worn. 2. Fasteners are not correct size. 3. Fasteners are bent. 4. Magazine or nose screws are loose. 5. Driver is damaged.	1. Replace guide. 2. Use only recommended fasteners. 3. Replace with undamaged fasteners. 4. Tighten screws. 5. Replace driver.

▲ WARNING:
Use only Numax Authorized Repair Parts. For questions please call 1-888-669-5672 or visit our website at <http://www.numaxtools.com>

WEARING PARTS

Repair parts can be ordered from our website: <http://www.numaxtools.com>



PGP INC. PRODUCT WARRANTIES

1-Year Limited Warranty

This warranty of Numax Nail Guns extends exclusively to the original purchaser of the Numax Nailing Gun one (1) year from the origchase dinal purate. Prime Global Products, Inc.(PGP Inc.) expressly warrants that the Numax Nail Gun is free from defect in materials and workmanship subject to the exceptions and limitations contained herein.

30 Day Limited Warranty

This Warranty of PGP INC.'S driver blades, bumpers, O-rings, piston rings, and gaskets (the Numax Wearing Parts" collectively with the Numax Nailing Guns the "Numax Product") extends exclusively to the original purchaser of the Numax Wearing Parts thirty (30) days from the original purchase date due to a defect in material and workmanship.

PGP Inc. shall repair, replace, or offer full refund, at its option, a Numax Product that has a defect in materials or workmanship. The original purchaser must return the complete Numax Product, postage prepaid and insured, with proof of purchase to PGP Inc. or any of its authorized service centers. Other than the postage and insurance requirement, no charge will be made for repairs covered by this warranty.

These warranties do not apply to defects in materials or workmanship or damages resulting from repairs or alterations which have been made or attempted by others or the unauthorized use of nonconforming parts. They further do not apply if the damage is due to normal wear and tear, abuse, improper maintenance, neglect or accident or caused by use of the Numax Product after partial failure or use with improper accessories.

The Numax Product is intended for use by individuals and not for use on an assembly line, production line, or any commercial application. These warranties do not extend to such commercial use as it constitutes abuse of the Numax Product.

NO WARRANTY, ORAL OR WRITTEN, EXPRESSED OR IMPLIED, OTHER THAN THE ABOVE WARRANTY IS MADE WITH REGARD TO THIS NUMAX PRODUCT. PGP INC. DISCLAIMS ANY IMPLIED WARRANTY OF MERCHANTABILITY OR FITNESS FOR A PARTICULAR USE OR PURPOSE, AND ALL OTHER WARRANTIES, IN NO EVENT SHALL PGP INC. BE LIABLE FOR ANY INCIDENTAL, SPECIAL, CONSEQUENTIAL OR PUNITIVE DAMAGES, OR FOR ANY COSTS, ATTORNEY FEES, EXPENSES, LOSSES OR DELAYS ALLEGED TO BE AS A CONSEQUENCE OF ANY DAMAGE TO, FAILURE OF, OR DEFECT IN ANY PRODUCT INCLUDING, BUT NOT LIMITED TO, ANY CLAIMS FOR LOSS OF PROFITS.

These warranties are the sole and exclusive warranties, express or implied for the Numax Product. No employee, agent, dealer or other person is authorized to alter, modify, expand or reduce the terms of these warranties or to make any other warranty on behalf of PGP Inc. These express limited warranties contains the entire agreement regarding express and implied warranties related to the Numax Product. No writing or languages in the purchase order or any other document shall be construed as an addition or alteration of PGP Inc.'s warranties of the Numax Product.

All matters related to the sale and/or use of the Numax Product that is the subject of these limited warranties, along with the construction and enforcement of the terms of this limited warranties themselves, shall be subject to the laws of the state of Georgia. Any dispute arising out of the sale and/or use of the Numax Product that is the subject of these limited warranties shall be brought in Cherokee County, Georgia. Purchase and/or use of the Numax Product makes you subject to the benefits and limitations of these limited warranties. Accordingly, any writ, judgment or other



enforcement, obtained from a jurisdiction, county, parish, state or federal court or other country, other than from the forum identified above, shall be void and unenforceable against PGP Inc. Some states do not allow limitations on how long an implied warranty lasts, so the above limitations may not apply to you. Some states do not allow the exclusion or limitation of incidental or consequential damages, so the above limitation or exclusion may not apply to you.

If any term or limitation contained in this limited warranty is deemed unenforceable by law, then that term shall be severed from the remaining portions of the limited warranties which shall remain enforceable.

THESE WARRANTIES ARE SUBJECT TO CHANGE WITHOUT NOTICE.