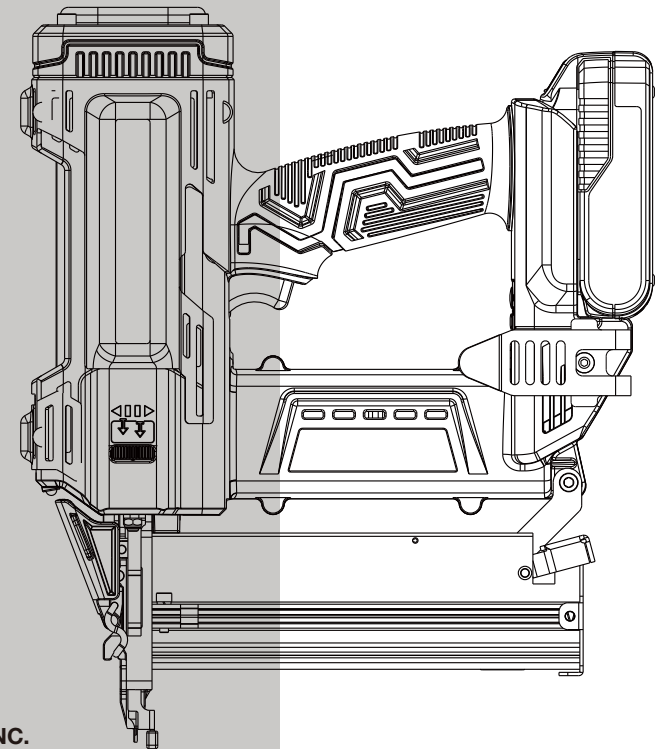


# FREEMAN

# FREEMAN

**MODEL: PE20V31618G/  
PE20VT31618**

## 20V 3-IN-1 NAILER & STAPLER



- [WWW.FREEMANTOOLS.COM](http://WWW.FREEMANTOOLS.COM)
- 1-888-669-5672
- PRIME GLOBAL PRODUCTS, INC.

- [WWW.FREEMANTOOLS.COM](http://WWW.FREEMANTOOLS.COM)
- 1-888-669-5672
- PRIME GLOBAL PRODUCTS, INC.



### **WARNING:**

Failure to follow warnings could result in DEATH OR SERIOUS INJURY.

**SAVE THIS MANUAL FOR FUTURE REFERENCE**

SYMBOLS	3
GENERAL SAFETY INSTRUCTIONS	3 - 4
NAILER SAFETY	5 - 7
FEATURES	7
SPECIFICATIONS	7
OPERATION	7 - 11
ATTACH BELT CLIP	8
REMOVING BATTERY PACK	8
LOADING FASTENERS	8 - 9
DEPTH ADJUSTMENT	9
LED WORK-LIGHT	9
FIRING THE TOOL	10
CLEARING JAMS	11
BATTERIES / BATTERY PACK RECYCLING	11
MAINTENANCE	11
WARRANTIES	12

## WARNING

The warning and precautions discussed in this manual cannot cover all possible conditions and situations that may occur. Please be aware of the potential hazards and take all necessary precautions to avoid risk of injuries.

## SAVE THIS MANUAL

- Keep this manual for the safety warnings, precautions, operations, inspections, and maintenance information. Store this manual and the receipt in a safe and dry place for future reference.

**▲ WARNING:**  
**To avoid serious personal injury, do not attempt to use this product until you read the manual thoroughly and understand it completely. Save this manual and review it frequently for safe operation and instructing others who may use this tool.**

## SYMBOLS

- In this manual, on the labels, packages and all other information provided with this tool, the following signal words and meanings are intended to explain the levels of risk associated with this tool.

SYMBOLS	SIGNAL	MEANING
	WARNING:	Indicates a potentially hazardous situation, which, if not avoided, could result in death or serious injury.
	CAUTION:	Indicates a potentially hazardous situation, which, if not avoided, may result in minor or moderate injury.
	CAUTION:	(Without symbol) Indicates a situation that may result in property damage.

## GENERAL SAFETY INSTRUCTIONS

### CALIFORNIA PROPOSITION 65

**▲ WARNING:**  
**This product can expose you to chemicals including lead, which is known to the State of California to cause cancer and other birth defects or other reproductive harm. For more information go to [www.P65Warnings.ca.gov](http://www.P65Warnings.ca.gov).**

### WORK AREA SAFETY

- Keep work area clean and well lit. Cluttered or dark areas invite accidents.
- Do not operate power tools in explosive atmospheres, such as in the presence of flammable liquids, gases or dust. Power tools create sparks which may ignite the dust or fumes.
- Keep children and bystanders away while operating a power tool. Distractions can cause you to lose control.

### ELECTRICAL SAFETY

- Power tool plugs must match the outlet. Never modify the plug in any way. Do not use any adapter plugs with earthed (grounded) power tools. Unmodified plugs and matching outlets will reduce risk of electric shock.
- Avoid body contact with earthed or grounded surfaces such as pipes, radiators, ranges and refrigerators. There is an increased risk of electric shock if your body is earthed or grounded.

- Do not expose power tools to rain or wet conditions. Water entering a power tool will increase the risk of electric shock.
- Do not abuse the cord. Never use the cord for carrying, pulling or unplugging the power tool. Keep cord away from heat, oil, sharp edges or moving parts. Damaged or entangled cords increase the risk of electric shock.
- When operating a power tool outdoors, use an extension cord suitable for outdoor use. Use of a cord suitable for outdoor use reduces the risk of electric shock.
- If operating a power tool in a damp location is unavoidable, use a ground fault circuit interrupter (GFCI) protected supply. Use of a GFCI reduces the risk of electric shock.
- Use battery only with charger listed.

### PERSONAL SAFETY

- Stay alert, watch what you are doing and use common sense when operating a power tool. Do not use a power tool while you are tired or under the influence of drugs, alcohol or medication. A moment of inattention while operating power tools may result in serious personal injury.
- Use personal protective equipment. Always wear eye protection. Protective equipment such as dust mask, non-skid safety shoes, hard hat, or hearing protection used for appropriate conditions will reduce personal injuries.

- **Prevent unintentional starting.** Ensure the switch is in the off-position before connecting to power source and/or battery pack, picking up or carrying the tool. Carrying power tools with your finger on the switch or energizing power tools that have the switch on invites accidents.
- **Remove any adjusting key or wrench before turning the power tool on.** A wrench or a key left attached to a rotating part of the power tool may result in personal injury.
- **Do not overreach.** Keep proper footing and balance at all times. This enables better control of the power tool in unexpected situations.
- **Dress properly.** Do not wear loose clothing or jewelry. Keep your hair, clothing and gloves away from moving parts. Loose clothes, jewelry or long hair can be caught in moving parts.
- **If devices are provided for the connection of dust extraction and collection facilities, ensure these are connected and properly used.** Use of dust collection can reduce dust-related hazards.
- **Do not wear loose clothing or jewelry.** Contain long hair. Loose clothes, jewelry, or long hair can be drawn into air vents.
- **Do not use on a ladder or unstable support.** Stable footing on a solid surface enables better control of the power tool in unexpected situations.
- **Maintain power tools.** Check for misalignment or binding of moving parts, breakage of parts and any other condition that may affect the power tool's operation. If damaged, have the power tool repaired before use. Many accidents are caused by poorly maintained power tools.
- **Keep cutting tools sharp and clean.** Properly maintained cutting tools with sharp cutting edges are less likely to bind and are easier to control.
- **Use the power tool, accessories and tool bits etc. in accordance with these instructions, considering the working conditions and the work to be performed.** Use of the power tool for operations different from those intended could result in a hazardous situation.

### BATTERY TOOL USE AND CARE

- **Recharge only with the charger specified by the manufacturer.** A charger that is suitable for one type of battery pack may create a risk of fire when used with another battery pack.
- **Use power tools only with specifically designated battery packs.** Use of any other battery packs may create a risk of injury and fire.
- **When battery pack is not in use, keep it away from other metal objects, like paper clips, coins, keys, nails, screws or other small metal objects, that can make a connection from one terminal to another.** Shorting the battery terminals together may cause burns or a fire.
- **Under abusive conditions, liquid may be ejected from the battery; avoid contact.** If contact accidentally occurs, flush with water. If liquid contacts eyes, additionally seek medical help. Liquid ejected from the battery may cause irritation or burns.

### SERVICE

- **Have your power tool serviced by a qualified repair person using only identical replacement parts.** This will ensure that the safety of the power tool is maintained.

### POWER TOOL CARE AND USE

- **Do not force the power tool.** Use the correct power tool for your application. The correct power tool will do the job better and safer at the rate for which it was designed.
- **Do not use the power tool if the switch can not turn it on and off.** Any power tool that cannot be controlled with the switch is dangerous and must be repaired.
- **Disconnect the plug from the power source and/or the battery pack from the power tool before making any adjustments, changing accessories, or storing power tools.** Such preventive safety measures reduce the risk of starting the power tool accidentally.
- **Store idle power tools out of the reach of children and do not allow persons unfamiliar with the power tool or these instructions to operate the power tool.** Power tools are dangerous in the hands of untrained users.

### NAILER SAFETY

- **Always assume that the tool contains fasteners.** Careless handling of the nailer can result in unexpected firing of fasteners and personal injury.
- **Do not point the tool towards yourself or anyone nearby.** Unexpected triggering will discharge the fastener causing an injury.
- **Do not actuate the tool unless the tool is placed firmly against the workpiece.** If the tool is not in contact with the workpiece, the fastener may be deflected away from your target.
- **Disconnect the tool from the power source when the fastener jams in the tool.** While removing a jammed fastener, the nailer may be accidentally activated if it is plugged in.
- **Use caution while removing a jammed fastener.** The mechanism may be under compression and the fastener may be forcefully discharged while attempting to free a jammed condition.
- **Do not use this nailer for fastening electrical cables.** It is not designed for electric cable installation and may damage the insulation of electric cables thereby causing electric shock or fire hazards.
- **Hold power tool by insulated gripping surfaces, when performing an operation where the nail may contact hidden wiring.** Nails contacting a "live" wire may make exposed metal parts of the power tool "live" and could give the operator an electric shock.
- **Know your power tool.** Read operator's manual carefully. Learn its applications and limitations, as well as the specific potential hazards related to this power tool. Following this rule will reduce the risk of electric shock, fire, or serious injury.
- **Keep fingers away from trigger when not driving fasteners to avoid accidental firing.**
- **Use safety equipment.** Always wear eye protection. Dust mask, nonskid safety shoes, hard hat, or hearing protection must be used for appropriate conditions.
- **Protect your lungs.** Wear a face or dust mask if the operation is dusty. Following this rule will reduce the risk of serious personal injury.
- **Always wear eye protection with side shields marked to comply with ANSI Z87.1.** Everyday glasses have only impact resistant lenses. They are not safety glasses. Following this rule will reduce the risk of serious personal injury. Eye protection which conforms to ANSI specifications and provides protection against flying particles both from the FRONT and SIDE should ALWAYS be worn by the operator and others in the work area when loading, operating or servicing this tool. Eye protection is required to guard against flying fasteners and debris, which could cause severe eye injury.
- **The employer and/or user must ensure that proper eye protection is worn.** We recommend Wide Vision Safety Mask for use over eyeglasses or standard safety glasses that provide protection against flying particles both from the front and side. Always use eye protection which is marked to comply with ANSI Z87.1.
- **Additional safety protection will be required in some environments.** For example, the working area may include exposure to noise level which can lead to hearing damage. The employer and user must ensure that any necessary hearing protection is provided and used by the operator and others in the work area. Some environments will require the use of head protection equipment. When required, the employer and user must ensure that head protection conforming to ANSI Z89.1-1997 is used.
- **Protect your hearing.** Wear hearing protection during extended periods of operation. Following this rule will reduce the risk of serious personal injury.
- **Battery tools do not have to be plugged into an electrical outlet; therefore, they are always in operating condition.** Be aware of possible hazards when not using your battery tool or when changing accessories. Following this rule will reduce the risk of electric shock, fire, or serious personal injury.

- Do not place battery tools or their batteries near fire or heat. This will reduce the risk of explosion and possibly injury.
- Do not crush, drop or damage battery pack. Do not use a battery pack or charger that has been dropped or received a sharp blow. A damaged battery is subject to explosion. Properly dispose of a dropped or damaged battery immediately.
- Batteries can explode in the presence of a source of ignition, such as a pilot light. To reduce the risk of serious personal injury, never use any cordless product in the presence of open flame. An exploded battery can propel debris and chemicals. If exposed, flush with water immediately.
- Do not charge battery tool in a damp or wet location. Following this rule will reduce the risk of electric shock.
- For best results, your battery tool should be charged in a location where the temperature is more than 50°F but less than 100°F. Do not store outside or in vehicles.
- Under extreme usage or temperature conditions, battery leakage may occur. If liquid comes in contact with your skin, wash immediately with soap and water. If liquid gets into your eyes, flush them with clean water for at least 10 minutes, then seek immediate medical attention. Following this rule will reduce the risk of serious personal injury.
- Use the tool only for its intended use. Do not discharge fasteners into open air.
- Use only the nails recommended for this tool. Use of the wrong nails could result in poor nail feeding, jammed nails, and nails leaving the tool at erratic angles. If nails are not feeding smoothly and properly, discontinue their use immediately. Jammed and improperly feeding nails could result in serious personal injury.
- Never use this tool in a manner that could cause a nail to be directed toward anything other than the workpiece.
- Do not use the tool as a hammer.
- Always carry the tool by the handle.
- Do not alter or modify this tool from the original design or function without approval from the manufacturer.

- Be aware that misuse and improper handling of this tool can cause injury to yourself and others.
- Never clamp or tape the trigger or workpiece contact in an actuated position.
- Never leave tool unattended if the battery is installed.
- Do not operate this tool if it does not contain a legible warning label.
- Keep the tool and its handle dry, clean and free from oil and grease. Always use a clean cloth when cleaning. Never use brake fluids, gasoline, petroleum-based products, or any strong solvents to clean your tool. Following this rule will reduce the risk of loss of control and deterioration of the enclosure plastic.

**OPERATION SAFETY**

- Do not use tool if trigger does not actuate properly. Any tool that cannot be controlled with the trigger is dangerous and must be repaired.
- Check operation of the workpiece contact mechanism frequently. Do not use the tool if the workpiece contact mechanism is not working correctly as accidental driving of a nail may result. Do not interfere with the proper operation of the workpiece contact mechanism.
- Always assume that the tool contains nails.
- Do not carry the tool from place to place holding the trigger. Accidental discharge could result.
- Always handle the tool with care:
  - Respect the tool as a working implement.
  - Never engage in horseplay.
  - Never pull the trigger unless nose is directed toward the work.
  - Keep others a safe distance from the tool while tool is in operation as accidental actuation may occur, possibly causing injury.
- Choice of triggering method is important. Check manual for triggering options.
- Do not hold the tool by the bottom of the magazine. Do not put hands, head, or other parts of your body near the bottom of the magazine where the nail exits the tool, as serious personal injury could result.

**FEATURES**

- 20V Lithium-ion Battery Power
- 3-in-1 Design
- Select Fire Button
- Adjustable Depth
- Quick Jam Release
- LED Light Indicator & Working Light
- Belt Hook

**SPECIFICATIONS**

<b>MODEL:</b>	PE20V31618G/ PE20VT31618 (Tool Only)
<b>INPUT VOLTAGE:</b>	DC 20V Max
<b>BATTERY TYPE:</b>	Freeman F20
<b>MAGAZINE CAPACITY:</b>	16 GA Finish nail: 80pcs 18 GA Brad nail: 100pcs 18 GA Staple: 100pcs
<b>FASTENER TYPE AND RANGE:</b>	16 GA Finish nail: 3/4" - 2" 18 GA Brad nail: 5/8" - 2" 18 GA Staple: 5/8" - 1-5/8"
<b>FIRING SPEED:</b>	90 pcs/min
<b>FASTENERS PER CHARGE:</b>	1,300 pcs/charge (2Ah)

**OPERATION**

**▲ WARNING:**

Do not allow familiarity with products to make you careless. Remember that a careless fraction of a second is sufficient to inflict severe injury.

**▲ WARNING:**

Always remove battery pack from the tool when you are assembling parts, making adjustments, cleaning, or when not in use. Removing battery pack will prevent accidental starting that could cause serious personal injury.

- Do not point the tool toward yourself or anyone whether it contains nails or not.
- Do not actuate the tool unless you intend to drive a nail into the workpiece.
- Always ensure that the workpiece contact is fully positioned above the workpiece. Positioning the workpiece contact only partially above the workpiece could cause the nail to miss the workpiece completely and result in serious personal injury.
- Do not drive nails near edge of material. The workpiece may split causing the nail to ricochet, injuring you or a co-worker. Be aware that the nail may follow the grain of the wood, causing it to protrude unexpectedly from the side of the work material or deflect, possibly causing injury.
- Keep hands and body parts clear of immediate work area. Hold workpiece with clamps when necessary to keep hands and body out of potential harm. Be sure the workpiece is properly secured before pressing the fastener against the material. The workpiece contact may cause the work material to shift unexpectedly.
- Keep face and body parts away from back of the tool cap when working in restricted areas. Sudden recoil can result in impact to the body, especially when nailing into hard or dense material.
- During normal use the tool will recoil immediately after driving a fastener. This is a normal function of the tool. Do not attempt to prevent the recoil by holding the nailer against the work. Restriction to the recoil can result in a second fastener being driven from the nailer. Failure to heed this warning can result in serious personal injury.
- Do not drive fasteners on top of other fasteners or with the tool at an overly steep angle as this may cause deflection of fasteners which could cause injury.

**LOADING TOOL**

- Do not load the tool with fasteners when any one of the operating controls is activated.
- Never place a hand or any part of body in fastener discharge area of tool.
- Never point tool at anyone.
- Do not pull the trigger or depress the workpiece contact as accidental actuation may occur, possibly causing injury.



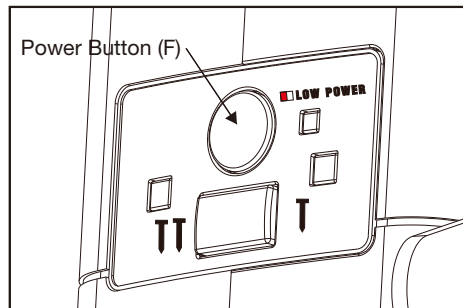
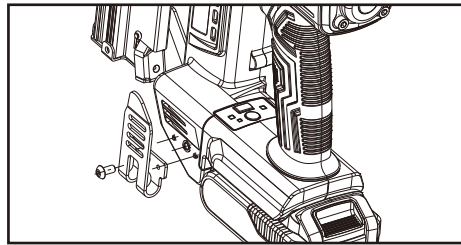
**▲ WARNING:**

Always wear eye protection with side shields marked to comply with ANSI Z87.1. Failure to do so could result in objects being thrown into your eyes, resulting in possible serious injury.

**ATTACH BELT CLIP**

The belt clip can be installed on the nailer, depending on operator preference.

1. Remove the battery pack or press the Power Button (F) to turn off the tool before installing belt clip or hanging the tool on your belt.
2. Align belt clip and screw tightly with side screw hole.
3. Tighten securely using a M4 Hex Wrench (Included)

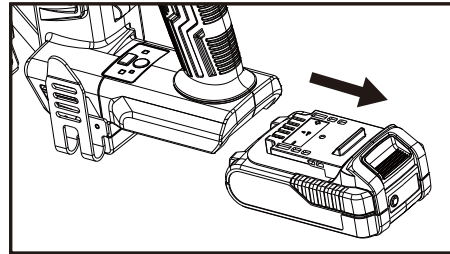


**▲ WARNING:**

Do not hang tool from your belt while the tool is on. Bumping the tool against work surfaces or dropping the nailer while the tool is on may cause misfiring and personal injuries.

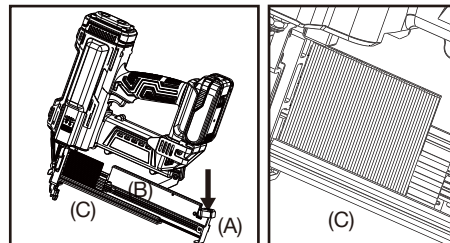
**REMOVING BATTERY PACK**

1. Press battery release button.
2. Pull battery free of the tool body.

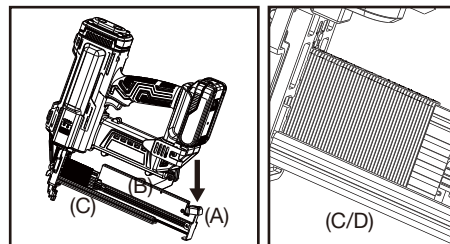


**LOADING FASTENERS**

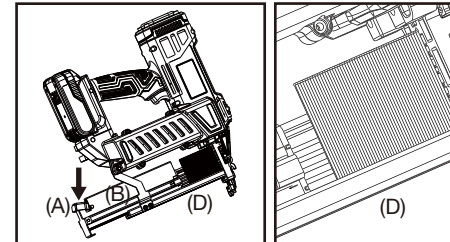
1. Push down on the latch button (A). Pull back on the magazine cover (B).
2. Loading Brad Nails: Insert a stick of fasteners on the left side of the magazine rail (C). Make sure the pointed end of the fasteners are resting on the bottom ledge of the magazine.



3. Loading Staples: Insert a stick of fasteners so the crown of the staples straddles the top of the magazine rail.



4. Loading Finish Nails: Insert a stick of fasteners on the right side of the magazine rail (D). Make sure the pointed ends of the fasteners are resting on the bottom ledge of the magazine.



5. Push the magazine cover (B) forward until the latch button (A) pops up.

**▲ WARNING:**

Only load one type of fastener in the magazine at a time. DO NOT mix fasteners in the magazine.

**▲ WARNING:**

Never load nails with the work contact element or trigger activated. Doing so could result in possible serious injury.

**▲ WARNING:**

Keep the tool pointed away from yourself and others when loading nails. Failure to do so could result in possible serious personal injury.

**▲ WARNING:**

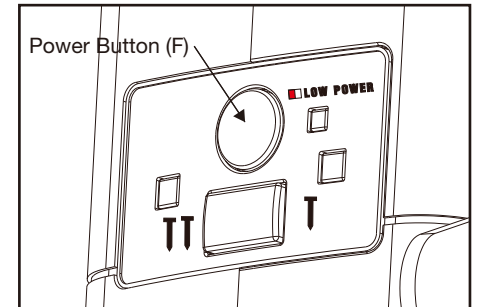
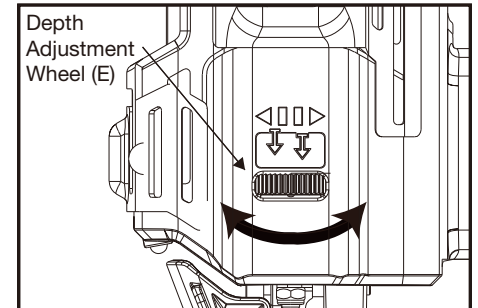
Use only the nails recommended for use with this tool. The use of any other nails can result in tool malfunction, leading to serious injuries.

**DEPTH ADJUSTMENT**

The driving depth may be adjusted. It is advisable to test the depth on a scrap workpiece to determine the required depth for the application. To achieve the desired depth, use the depth of drive adjustment on the tool.

1. Remove battery pack from the tool, if installed.
2. Turn the Depth Adjustment Wheel (E) left or right to change the driving depth.
3. Reinstall battery and reactivate the tool by pressing the Power Button (F).
4. Drive a test nail after each adjustment until the desired depth is set.

NOTE: Set depth of drive at the shallowest depth that will meet your needs.



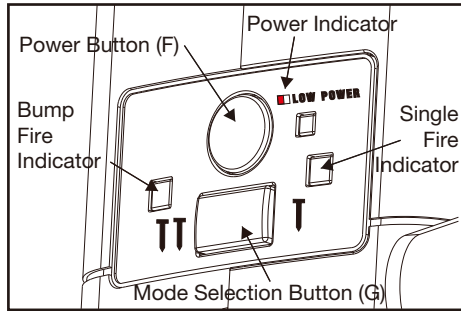
**LED WORK-LIGHT**

The LED Work-light provides feedback to indicate whether the battery pack is charged sufficiently and/or if the tool is functioning properly.

- If work-light is flashing, install fully charged battery. If light continues to flash, please call 1-888-669-5672 for assistance.
- If the LED light goes out on your nailer, the unit has timed out for your protection. Press the Power Button (F) to reactivate the nailer.

**FIRING THE TOOL**

This tool is shipped from the factory with the mode selection button set in single sequential mode. The mode selection button can also be set for contact actuation mode.



**Single Fire Mode**

Single firing (sequential actuation) provides the most accurate fastener placement. This is considered to be more restrictive mode of operation, suitable for less experienced users. To use the tool in Single Fire Mode, the work contact element and trigger must be used in a specific order.

1. Reinstall battery pack and turn the tool on by pressing the Power Button (F).
2. Press the Mode Selection Button (G). The Single Fire Indicator will light up.
3. Completely depress the work contact element by pressing the nose of the tool against the work piece.
4. Pull the trigger firmly and then release. The tool must be allowed to fully recoil away from the work piece. The trigger must be pulled firmly and then released.
5. Press the Power Button (F) to turn off the tool when finished.

Note: If the trigger is pulled before the work contact element is depressed, the tool will not operate.

**Bump Fire Mode**

Bump firing (contact actuation) allows very fast, repetitive fastener placement. This mode is recommended when less precise nail placement is required. Extreme care should be taken since nails will be driven into any surface when the work contact element is pressed.

Since the tool can be fired without removing the finger from the trigger, this is considered to be a less restrictive mode and is suitable for more experienced users.

To use the tool in Bump Fire Mode, the work contact element and trigger can be actuated in any order.

1. Reinstall battery pack and activate the tool by pressing the Power Button (F).
2. Press the Mode Selection Button (G). The Bump Fire Indicator will light up.
3. Pull and hold the trigger with the tool off the work piece.
4. Press the work contact element against the work piece to drive a nail. The tool must be allowed to recoil away from the work piece.
5. Move the tool along the work piece with a bouncing motion. Each time the work contact element is depressed a nail will be driven.
6. As soon as the desired number of nails has been driven, remove finger from trigger.
7. Press the Power Button (F) to turn off the tool when finished.

**▲ WARNING:**  
Remove your finger from the trigger when driving nails. Always carry the tool by the handle only.

**▲ WARNING:**  
The tool must be allowed to recoil away from the work piece. Do not drive a nail on top of another nail.

**▲ WARNING:**  
During normal use the tool will recoil immediately after driving a fastener. This is a normal function of the tool. Do not attempt to prevent the recoil by holding the nailer against the work. Restriction to the recoil can result in a second fastener being driven from the nailer. Failure to heed this warning can result in serious personal injury.

**BATTERIES**

These batteries will wear out over time, like all batteries. If this happens do not disassemble the battery and attempt to fix it. This could cause serious burns especially when wearing rings and jewelry. To have the longest possible battery life, we suggest the following.

- Once a battery pack has been fully charged remove it from the charger.
- The battery should be stored in a temperature that is below 80°F and away from moisture.
- Batteries should be stored with a 30%-50% charge.
- If a battery has been stored for six months or more charge the battery as normal.

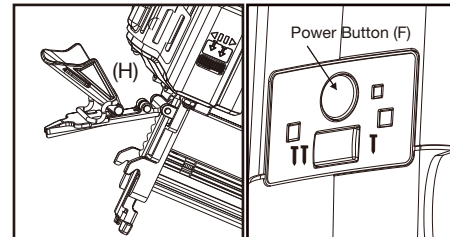
**▲ WARNING:**  
Always know the operational mode of the tool before using. Failure to know the operational mode could result in death or serious personal injury.

**▲ WARNING:**  
An improperly functioning tool must not be used. Do not actuate the tool unless the tool is placed firmly against a work piece.

**CLEARING JAMS**

Occasionally, a fastener may become jammed in the firing mechanism of the tool, making the tool inoperable. To remove a jammed fastener, follow the steps below:

1. Remove battery pack.
2. Remove fastener strip from magazine.
3. Pull down on the Jam Latch (H) and pull away from the tool.
4. Use pliers or a screwdriver to clear the jammed fastener.
5. Close the Jam Latch.
6. Install battery pack.
7. Reload the tool with fasteners. Press Power Button (F) to turn on the tool.



**BATTERY RECYCLING**

Please recycle all worn batteries. This battery contains lithium-ion batteries. Local and state regulations may prohibit disposal of lithium-ion batteries in ordinary trash. Consult your local waste authority for information regarding available recycling and/or options.

**MAINTENANCE**

**CLEANING THE NAIL CHANNEL**

Problems with driving nails or cycling of nails while firing may be due to glue residue from the nail strips. If this is the case clean the area around the driving mechanism.

- Remove the tool battery.
- Slide magazine cover down to remove nails and expose the nail channel.
- Use a small amount of air tool oil on a clean cloth to swab and wipe down the nail channel, until all traces of glue are removed.
- Reinstall nails in the magazine and close the magazine cover.

**COLD WEATHER OPERATION**

When you are operating the tool in below freezing environments:

1. Before using the tool be sure to keep it as warm as possible
2. Fire the tool into a scrap piece of material 5 to 6 times.

## WARRANTIES

### PGP INC. PRODUCT WARRANTIES

Professional 1-Year Limited Warranty

The Freeman tool limited warranty extends exclusively to the original purchaser of the Freeman product, begins on the date of purchase. During the warranty period Prime Global Products, Inc. (PGP) expressly warrants that the Freeman product is free from defect in materials and workmanship subject to the exceptions and limitations contained herein. PGP shall at its option, repair, replace, or offer a full refund for a Freeman product that has a defect in materials or workmanship. A DATED SALES RECEIPT OR PROOF OF PURCHASE FROM THE ORIGINAL RETAIL PURCHASER IS REQUIRED TO MAKE A WARRANTY CLAIM. Warranty registration is also required and can be accomplished through On-Line Product Registration at [www.freemantools.com](http://www.freemantools.com), select PRODUCT REGISTRATION. To make a warranty claim, the original purchaser must return the Freeman tool, postage prepaid and insured, with proof of purchase to PGP or any of its authorized service centers. For questions please call 1-888-669-5672. Other than the postage and insurance requirement, no charge will be made for repairs covered by this warranty.

### Warranty Exclusions

These Warranties do not apply where:

- Repairs or alterations have been made, or attempted, by others, and/or the unauthorized use of non-conforming parts or accessories.
- Repairs are required due to normal wear and tear.
- The Tool has been abused, misused, improperly maintained or operated, including: the failure to use clean, dry, regulated compressed air at the recommended pressure; accidents caused by use of the Freeman product after partial failure.
- The Freeman product is used commercially in assembly lines or production lines. The Freeman product is intended for use by individuals and these warranties do not extend to such commercial uses.

NO WARRANTY, ORAL OR WRITTEN, EXPRESSED OR IMPLIED, OTHER THAN THE ABOVE WARRANTIES IS MADE WITH REGARD TO THIS FREEMAN PRODUCT. ANY IMPLIED WARRANTIES WILL BE LIMITED IN DURATION TO THE APPLICABLE WARRANTY PERIOD SPECIFIED ABOVE. SOME STATES DO NOT ALLOW LIMITATIONS ON HOW LONG AN IMPLIED WARRANTY LASTS, SO THE ABOVE MAY NOT APPLY TO YOU. YOUR REMEDIES ARE SOLELY AND EXCLUSIVELY AS STATED ABOVE. PGP SHALL IN NO EVENT BE LIABLE FOR INCIDENTAL, CONSEQUENTIAL, INDIRECT, OR SPECIAL DAMAGES. SOME STATES DO NOT ALLOW THE EXCLUSION OR LIMITATION OF INCIDENTAL OR CONSEQUENTIAL DAMAGES, SO THE ABOVE LIMITATION OR EXCLUSION MAY NOT APPLY TO YOU. IN NO EVENT, WHETHER AS A RESULT OF A BREACH OF CONTRACT, WARRANTY, TORT (INCLUDING NEGLIGENCE) OR OTHERWISE, SHALL PGP'S LIABILITY EXCEED THE PRICE OF THE PRODUCT WHICH HAS GIVEN RISE TO THE CLAIM OR LIABILITY. ANY LIABILITY CONNECTED WITH THE USE OF THIS PRODUCT SHALL TERMINATE UPON THE EXPIRATION OF THE WARRANTY PERIOD SPECIFIED ABOVE. NO EMPLOYEE OR REPRESENTATION OF PGP, OR ANY DISTRIBUTOR OR DEALER IS AUTHORIZED TO MAKE ANY CHANGE OR MODIFICATION OF THIS WARRANTY.

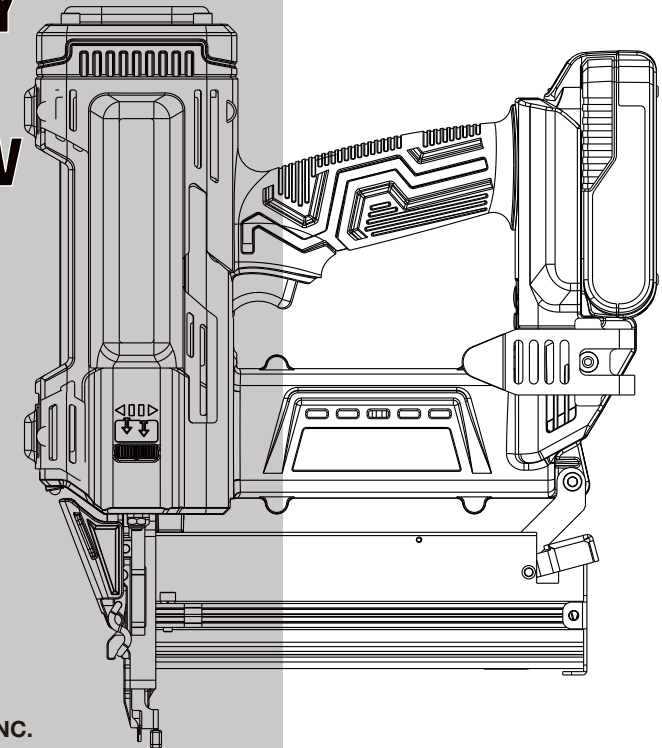
All matters related to the sale and/or use of the Freeman Product that is the subject of these limited warranties, along with the construction and enforcement of the terms of these limited warranties themselves, shall be subject to the laws of the state of Georgia. Any dispute arising out of the sale and/or use of the Freeman Product that is the subject of these limited warranties shall be brought in Cherokee County, Georgia. Purchase and/or use of the Freeman Product, makes you subject to the benefits and limitations of these limited warranties.

**THESE WARRANTIES ARE SUBJECT TO CHANGE WITHOUT NOTICE.**

# FREEMAN

MODELO: PE20V31618G/  
PE20VT31618

## CLAVADORA Y GRAPADORA 3 EN 1 DE 20V



- [WWW.FREEMANTOOLS.COM](http://WWW.FREEMANTOOLS.COM)
- 1-888-669-5672
- PRIME GLOBAL PRODUCTS, INC.



### ADVERTENCIA:

No seguir las advertencias correctamente puede causar  
LA MUERTE O LESIONES GRAVES.

**GUARDA ESTE MANUAL PARA CONSULTARLO EN EL FUTURO.**

SÍMBOLOS	15
NORMAS GENERALES DE SEGURIDAD	15 - 17
ADVERTENCIAS DE SEGURIDAD PARA CLAVADORA	17 - 20
CARACTERÍSTICAS	20
ESPECIFICACIONES	21
OPERACIÓN	21 - 25
CONECTAR EL CLIP DEL CINTURÓN	21
EXTRACCIÓN DE LA BATERÍA	21
CARGAR LOS SUJETADORES	22
AJUSTE DE PROFUNDIDAD	22 - 23
LUZ DE TRABAJO LED	23
DISPARA LA HERRAMIENTA	23 - 24
COMO RETIRAR SUJETADORES ATASCADOS	24
BATERÍAS/RECICLAJE DE BATERÍAS	25
MANTENIMIENTO	25
GARANTÍA	26



## ADVERTENCIA

Las advertencias y precauciones mencionadas en este manual no cubren todas las condiciones y situaciones posibles. Es perfectamente comprensible que no podamos fabricar el sentido común y la precaución como partes de cualquier producto, el usuario es responsable de actuar en consecuencia.



## GUARDAR ESTE MANUAL

- Guarde este manual para tener a mano las advertencias de seguridad, precauciones, operaciones, inspecciones y mantenimiento. Conserve este manual y recíballo en un lugar seguro y seco para futuros consultores.



### ADVERTENCIA:

Para evitar lesiones personales graves, no intente utilizar este producto hasta que haya leído y comprendido completamente el manual. Guarde este manual y revíselo frecuentemente para una operación segura y para instruir a otros usuarios de esta herramienta.

## SÍMBOLOS

- Símbolos en este manual, las etiquetas, envases y en toda la información provista con esta herramienta. Las siguientes palabras de aviso y significados tienen el objetivo de explicar los niveles de riesgo asociados con esta herramienta.

SÍMBOLOS	AVISO	SIGNIFICADO
	ADVERTENCIA:	Indica una situación potencialmente peligrosa que, deno evitarse, podría causar lamuerte o lesiones graves.
	PRECAUCIÓN:	Indica una situación potencialmente peligrosa que, deno evitarse, podría causar lamuerte o lesiones graves.
	PRECAUCIÓN:	(Sin símbolo) Indica una situación que puede resultar en daños a la propiedad.

## NORMAS GENERALES DE SEGURIDAD

### PROPOSICIÓN 65 DE CALIFORNIA

#### ADVERTENCIA:

ADVERTENCIA: Este producto puede exponerlo a elementos químicos, incluido el plomo, que es conocido por el Estado de California como causante de cáncer y de defectos congénitos u otros daños reproductivos. Para obtener más información, visite [www.P65Warnings.ca.gov](http://www.P65Warnings.ca.gov).

### SEGURIDAD EN EL ÁREA DE TRABAJO

- **Mantenga limpia y bien iluminada el área de trabajo.** Un área de trabajo mal despejada o mal iluminada propicia accidentes.
- **No utilice herramientas motorizadas en atmósferas explosivas, como las existentes alrededor de líquidos, gases y polvos inflamables.** Las herramientas eléctricas generan chispas que pueden encender el polvo y los vapores inflamables.
- **Mantenga alejados a los niños y circunstantes al maniobrar una herramienta eléctrica.** Toda distracción puede causar pérdida del control de la herramienta.

### SEGURIDAD ELÉCTRICA

- **Evite el contacto del cuerpo con las superficies de objetos que estén haciendo tierra o estén conectados a ésta, como tuberías, radiadores, estufas y refrigeradores.** Existe un mayor riesgo de descargas eléctricas si el cuerpo está haciendo tierra.

- **Las clavijas de las herramientas eléctricas deben corresponder a las tomas de corriente donde se conectan.** Nunca modifique la clavija de ninguna forma. No utilice ninguna clavija adaptadora con herramientas eléctricas dotadas de contacto a tierra. Conectando las clavijas originales en las tomas de corriente donde corresponden se disminuye el riesgo de una descarga eléctrica.
- **No exponga las herramientas eléctricas a la lluvia ni a condiciones de humedad.** La introducción de agua en una herramienta eléctrica aumenta el riesgo de descargas eléctricas.
- **No maltrate el cordón eléctrico.** Nunca utilice el cordón para trasladar, desconectar o tirar de la herramienta eléctrica. Mantenga el cordón alejado del calor, del aceite, de bordes afilados y de piezas móviles. Los cordones eléctricos dañados o enredados aumentan el riesgo de descargas eléctricas.
- **Al utilizar una herramienta eléctrica a la intemperie, use un cordón de extensión apropiado para el exterior.** Usando un cordón adecuado para el exterior se disminuye el riesgo de descargas eléctricas.
- **Si debe operar una herramienta en lugares húmedos, use un suministro protegido por un interruptor de circuito con pérdida a tierra (GFCI).** El uso de un GFCI reduce el riesgo de descargas eléctricas.
- **Cargue las baterías solamente con el cargador indicado.** Para utilizar con paquetes de baterías de níquel-cadmio de 18 V o de iones de litio de 18 V, consulte el folleto de la herramienta/aparato/paquete de baterías/cargador complementario 987000-432.



## SEGURIDAD PERSONAL

- **Permanezca alerta, preste atención a lo que esté haciendo y aplique el sentido común al utilizar herramientas eléctricas.**

No utilice la herramienta eléctrica si está cansado o se encuentra bajo los efectos de alguna droga, alcohol o medicamento. Un momento de inatención al utilizar una herramienta eléctrica puede causar lesiones corporales serias.

- **Use equipo de seguridad. Siempre póngase protección ocular.** El uso de equipo de seguridad como mascarilla para el polvo, calzado de seguridad, casco y protección para los oídos en las circunstancias donde corresponda disminuye el riesgo de lesiones.
- **Evite un arranque accidental de la unidad.** Asegúrese de que el interruptor esté en la posición de apagado antes de conectar la herramienta. Portar las herramientas eléctricas con el dedo en el interruptor, o conectarlas con el interruptor puesto, propicia accidentes.
- **Retire toda llave o herramienta de ajuste antes de encender la herramienta eléctrica.** Toda llave o herramienta de ajuste dejada en una pieza giratoria de la herramienta eléctrica puede causar lesiones.
- **No estire el cuerpo para alcanzar mayor distancia.** Mantenga una postura firme y buen equilibrio en todo momento. De esta manera se logra un mejor control de la herramienta eléctrica en situaciones inesperadas.
- **Vístase adecuadamente.** No vista ropas holgadas ni joyas. Mantenga el cabello, la ropa y los guantes alejados de las piezas móviles. Las ropas holgadas, las joyas y el cabello largo pueden engancharse en las piezas móviles.
- **Si se suministran dispositivos para conectar mangueras de extracción y captación de polvo, asegúrese de que éstas estén bien conectadas y se usen correctamente.** El uso de un recolector de polvo puede reducir los peligros relacionados con el polvo.
- **No vista ropas holgadas ni joyas.** Recójase el cabello si está largo. Las ropas holgadas y las joyas, así como el cabello largo, pueden resultar atraídas hacia el interior de las aberturas de ventilación.

- **No utilice la unidad al estar en una escalera o en un soporte inestable.** Una postura estable sobre una superficie sólida permite un mejor control de la herramienta eléctrica en situaciones inesperadas.

## EMPLEO Y CUIDADO DE LA HERRAMIENTA ELÉCTRICA

- **No fuerce la herramienta eléctrica.** Utilice la herramienta eléctrica adecuada para cada trabajo. La herramienta eléctrica adecuada efectúa mejor y de manera más segura el trabajo, si además se maneja a la velocidad para la que está diseñada.
- **No utilice la herramienta si el interruptor no enciende o no apaga.** Cualquier herramienta eléctrica que no pueda controlarse con el interruptor es peligrosa y debe repararse.
- **Desconecte la clavija del suministro de corriente o retire el paquete de pilas de la herramienta eléctrica, según sea el caso, antes de efectuarle cualquier ajuste, cambiarle accesorios o guardarla.** Tales medidas preventivas de seguridad reducen el riesgo de poner en marcha accidentalmente la herramienta eléctrica.
- **Guarde las herramientas eléctricas desocupadas fuera del alcance de los niños y no permita que las utilicen personas no familiarizadas con las mismas o con estas instrucciones.** Las herramientas eléctricas son peligrosas en manos de personas no capacitadas en el uso de las mismas.
- **Preste servicio a las herramientas eléctricas.** Revise para ver si hay desalinación o atoramiento de piezas móviles, ruptura de piezas o cualquier otra condición que pueda afectar el funcionamiento de la herramienta. Si está dañada la herramienta eléctrica, permita que la reparen antes de usarla. Numerosos accidentes son causados por herramientas eléctricas mal cuidadas.
- **Mantenga las herramientas de corte afiladas y limpias.** Las herramientas de corte bien cuidadas y con bordes bien afilados, tienen menos probabilidad de atascarse en la pieza de trabajo y son más fáciles de controlar.

## ADVERTENCIAS DE SEGURIDAD PARA CLAVADORA

- **Siempre suponga que la herramienta contiene sujetadores.** El manejo descuidado de la clavadora puede hacer que se accione el gatillo inesperadamente y que se disparen sujetadores que podrían causar lesiones personales.
- **No apunte la herramienta hacia su cuerpo ni hacia otra persona que se encuentre cerca.** Un accionamiento inesperado del gatillo disparará el sujetador y eso causará lesiones.
- **No accione la herramienta a menos que esté firmemente colocada contra la pieza de trabajo.** Si la herramienta no está en contacto con la pieza de trabajo, el sujetador puede desviarse lejos de su objetivo.
- **Desconecte la herramienta de la fuente de alimentación cuando los atascos de sujeción de la herramienta.** Al retirar un sujetador atascado, el atacante puede ser activado accidentalmente si está enchufado.
- **Sea precavido al retirar el sujetador atascado.** El mecanismo puede encontrarse sometido a compresión y el sujetador podría salir disparado con fuerza al tratar de arreglar un atascamiento.
- **No utilice esta clavadora para sujetar cables de electricidad.** No está diseñada para la instalación de cables de electricidad y puede dañar el aislamiento de los cables y causar descargas eléctricas o riesgo de incendio.
- **Sujete la herramienta eléctrica por las superficies aisladas de sujeción al efectuar una operación en la cual el sujetador pueda entrar en contacto con cables ocultos.** Los sujetadores que entren en contacto con un cable "con carga" pueden hacer que la electricidad se transmita a las piezas metálicas expuestas de la herramienta eléctrica y eso podría provocar una descarga eléctrica en el operador.

## EMPLEO Y CUIDADO DE LA HERRAMIENTA DE BATERÍAS

- **Sólo cargue el paquete de baterías con el cargador especificado por el fabricante.** Un cargador adecuado para un tipo paquete de baterías puede significar un riesgo de incendio si se emplea con un paquete de baterías diferente.
- **Utilice las herramientas eléctricas sólo con los paquetes de baterías específicamente indicados.** El empleo de paquetes de baterías diferentes puede presentar un riesgo de incendio.
- **Cuando no esté utilizándose el paquete de baterías, manténgalo lejos de otros objetos metálicos, como clips, monedas, llaves, clavos, tornillos o otros objetos metálicos, pequeños que puedan establecer conexión entre ambas terminales.** Establecer una conexión directa entre las dos terminales de las baterías puede causar irritación y quemaduras.
- **Si se maltratan las baterías, puede derramarse líquido de las mismas; evite todo contacto con éste.** En caso de contacto, lávese con agua. Si el líquido llega a tocar los ojos, además busque atención médica. El líquido de las baterías puede causar irritación y quemaduras.

## SERVICIO

- **Permita que un técnico de reparación calificado preste servicio a la herramienta eléctrica, y sólo con piezas de repuesto idénticas.** De esta manera se mantiene la seguridad de la herramienta eléctrica.

- **Familiarícese con su herramienta eléctrica. Lea cuidadosamente el manual del operador.** Aprenda sus usos y limitaciones, así como los posibles peligros específicos de esta herramienta eléctrica. Con el cumplimiento de esta regla se reduce el riesgo de una descarga eléctrica, incendio o lesión seria.
- **Use siempre protección ocular con protecciones laterales con la marca de cumplimiento de la norma Z87.1 del ANSI.** Los anteojos comunes sólo tienen lentes resistentes a los impactos. No son gafas de seguridad. Si se cumple esta regla, se reduce el riesgo de lesiones serias.
- **Al cargar, utilizar y dar servicio a esta herramienta, el operador y demás personas SIEMPRE deben llevar puesta protección ocular que cumpla con las especificaciones ANSI y ofrezca protección contra partículas que salgan disparadas del FRENTE y de los LADOS.** Se requiere protección ocular como protección contra sujetadores y desechos que salgan disparados, los cuales pueden causar lesiones oculares serias.
- **Tanto el patrón como el operador deben asegurarse de que se use protección ocular adecuada.** Recomendamos la careta protectora de visión amplia encima de los anteojos normales o de los anteojos de seguridad que ofrecen protección frontal y lateral contra partículas que salen disparadas. Siempre póngase protección ocular con la marca de cumplimiento de la norma ANSI Z87.1.
- **En algunos entornos se requiere protección adicional.** Por ejemplo, en el área de trabajo puede haber exposición a un nivel de ruido que puede dañar el oído. El patrón y el operador deben asegurarse de contar con toda la protección auditiva necesaria y de que sea usada por el operador mismo y demás personas presentes en el área de trabajo. En algunos entornos se requiere el uso de equipo de protección para la cabeza. Cuando se requiera, el patrón y el operador deben asegurarse de que la protección usada para la cabeza cumpla con la norma ANSI Z89.1-1997.
- **Use equipo de seguridad.** Siempre póngase protección ocular. Cuando lo exijan las circunstancias debe ponerse careta contra el polvo, zapatos de seguridad antiderrapantes, casco o protección auditiva.
- **Protéjase los pulmones.** Use una careta o mascarilla contra el polvo si la operación genera mucho polvo. Con el cumplimiento de esta regla se reduce el riesgo de lesiones serias.
- **Protéjase los oídos.** Durante períodos prolongados de utilización del producto, póngase protección para los oídos. Con el cumplimiento de esta regla se reduce el riesgo de lesiones corporales serias.
- **No se necesita conectar a una toma de corriente las herramientas de baterías; por lo tanto, siempre están en condiciones de funcionamiento.** Esté consciente de los posibles peligros cuando no esté usando la herramienta de baterías o cuando esté cambiando los accesorios de la misma. Con el cumplimiento de esta regla se reduce el riesgo de una descarga eléctrica, incendio o lesión corporal seria.
- **No coloque herramientas de baterías ni las baterías mismas cerca del fuego o del calor.** De esta manera se reduce el riesgo de explosiones y de lesiones.
- **No aplaste, deje caer o dañe la batería.** Nunca utilice una batería o cargador que se ha caído, aplastado, recibido un golpe contundente o ha sido dañado(a) de alguna manera. Las baterías dañadas pueden sufrir explosiones. Deseche de inmediato toda batería que haya sufrido una caída o cualquier daño.
- **Las pilas pueden explotar en presencia de una fuente de ignición, como una luz piloto.** Para reducir el riesgo de lesiones corporales serias, nunca use un producto inalámbrico en presencia de llamas vivas. La explosión de una pila puede lanzar fragmentos y compuestos químicos. Si ha quedado expuesto a la explosión de una pila, lávese de inmediato con agua.

- **No cargue herramientas de baterías en lugares mojados o húmedos.** Con el cumplimiento de esta regla se reduce el riesgo de una descarga eléctrica.
- **Para obtener resultados óptimos, debe cargar la herramienta de baterías en un lugar donde la temperatura esté entre 50°F y 100°F.** No guarde la herramienta a la intemperie ni en el interior de vehículos.
- **En condiciones extremas de uso o temperatura las baterías pueden emanar líquido.** Si el líquido llega a tocarle la piel, lávese de inmediato con agua y jabón, y después neutralice los efectos con jugo de limón o vinagre. Si le entra líquido en los ojos, láveselos con agua limpia por lo menos 10 minutos, y después busque de inmediato atención médica. Con el cumplimiento de esta regla se reduce el riesgo de lesiones corporales serias.
- **Solamente utilice esta herramienta para el propósito especificado.** No dispare sujetadores al aire.
- **Use la herramienta solamente para el propósito para el que fue diseñada.**
- **Solamente utilice los sujetadores recomendados para esta herramienta.** El uso de los sujetadores incorrectos podría hacer que los sujetadores no avancen bien, que se atoren y que los clavos no salgan de la herramienta siempre al mismo ángulo. Si los sujetadores no avanzan de manera uniforme y correcta, interrumpa su uso de inmediato. Los sujetadores atorados que avanzan de manera incorrecta pueden provocar lesiones serias.
- **Nunca utilice esta herramienta de ninguna forma que pueda dirigir un sujetador hacia ninguna otra cosa que no sea la pieza de trabajo.**
- **Siempre porte la herramienta por el mango.**
- **No altere ni modifique esta herramienta con respecto al diseño o funcionamiento original sin la aprobación del fabricante.**
- **Siempre tenga presente que el uso y manejo indebidos de esta herramienta puede causarle lesiones a usted y a otras personas.**
- **Nunca sujete con prensa o cinta adhesiva el gatillo ni el disparador de contacto en la posición de accionamiento.**
- **Nunca deje desatendida ninguna herramienta con la batería instalada.**
- **No utilice esta herramienta si no tiene una etiqueta de advertencia.**
- **Mantenga la herramienta y el mango secos, limpios y sin aceite ni grasa.** Siempre utilice un paño limpio para limpiar la unidad. Nunca utilice fluidos para frenos, gasolina, productos a base de petróleo ni solventes fuertes para limpiar la herramienta. Con el cumplimiento de esta regla se reduce el riesgo de una pérdida de control y el deterioro del alojamiento de plástico de la unidad.

## FUNCIONAMIENTO LA SEGURIDAD

- **No utilice la herramienta si no funciona correctamente el gatillo.** Una herramienta que no pueda controlarse con el gatillo es peligrosa y debe repararse.
- **Verifique con frecuencia el funcionamiento del mecanismo del disparador de contacto.** No use la herramienta si no está funcionando correctamente el mecanismo del disparador de contacto, ya que puede causarse por accidente el disparo de un sujetador. No interfiera en el funcionamiento normal del mecanismo del disparador de contacto.
- **No utilice la herramienta si no funciona correctamente.**
- **Siempre suponga que la herramienta contiene sujetadores.**
- **No traslade la herramienta de un lugar a otro con el dedo en el gatillo.** Podría producirse un disparo accidental.
- **Siempre maneje con cuidado la herramienta:**
  - Respete la herramienta como un elemento de trabajo.
  - Nunca participe en jugueteos.
  - Nunca tire del gatillo a menos que la punta de la herramienta esté dirigida hacia la superficie de trabajo.
  - Mantenga a las demás personas a una distancia segura de la herramienta mientras esté utilizándose ésta ya que puede ocurrir un accionamiento accidental de la misma, y posibles lesiones.

- Es importante el método de disparo elegido. Estudie el manual, en el cual se describen las diferentes formas de disparar.
- **No sujete la herramienta por el frente del cargador.** No ponga las manos, la cabeza ni ninguna otra parte del cuerpo cerca de la parte inferior del cargador, por donde salen los clavos de la herramienta, ya que se pueden producir lesiones serias.
- **No apunte la herramienta hacia usted mismo ni a ninguna otra persona, ya sea que contenga sujetadores o no.**
- **No accione la herramienta a menos que tenga la intención de introducir un sujetador en la pieza de trabajo.**
- **Siempre asegúrese de que el elemento de contacto con la pieza de trabajo esté totalmente coloca encima de ella.** Colocar el elemento de contacto con la pieza de trabajo solamente de manera parcial encima de ella podría causar que el sujetador no se introduzca en la pieza de trabajo por completo y provoque lesiones serias.
- **No introduzca clavos cerca del borde del material.** La pieza de trabajo puede partirse y causar que el clavo rebote y lesione a un compañero de trabajo. Tenga presente que el clavo puede seguir la fibra de la madera y salir inesperadamente por un lado de la pieza de trabajo.
- **Mantenga las manos y todas las partes del cuerpo lejos del área de trabajo inmediata.** Sujete firmemente la pieza de trabajo con prensas de mano cuando sea necesario para proteger las manos y el cuerpo de todo posible peligro. Asegúrese de que la pieza de trabajo esté debidamente asegurada antes de presionar la clavadora contra el material. El disparador de contacto puede causar un movimiento inesperado de la pieza de trabajo.
- **Mantenga la cara y las demás partes del cuerpo lejos de la tapa de la herramienta al trabajar en espacios limitados.** En una retracción súbita la herramienta puede golpear el cuerpo, especialmente al clavar en material duro o denso.
- **No introduzca sujetadores encima de otros, ni con la herramienta a un ángulo excesivamente pronunciado, ya que esto puede causar la desviación de los sujetadores y con ello posibles lesiones.**

- Durante el uso normal de la herramienta, ésta se retrae de inmediato después de introducir un sujetador. Así es el funcionamiento normal de la herramienta. No intente impedir la retracción presionando la clavadora contra la pieza de trabajo. Toda restricción impuesta a la retracción puede producir la impulsión de un segundo sujetador en la clavadora. La inobservancia de esta advertencia puede causar lesiones corporales serias.

### CÓMO CARGAR LA HERRAMIENTA

- **No cargue los sujetadores en la herramienta cuando esté activado cualquiera de los controles de operación de la misma.**
- **Nunca coloque las manos ni ninguna parte del cuerpo en el área de la herramienta donde sale disparado el sujetador.**
- **Nunca apunte la herramienta a nadie.**
- **No tire del gatillo ni oprima el disparador de contacto, ya que puede accionarse accidentalmente la herramienta y causar lesiones.** Salir inesperadamente por un lado de la pieza de trabajo.

### CARACTERÍSTICAS

- Batería de ion de litio de 20V
- Diseño 3 en 1
- Disparador de modalidad doble
- Profundidad ajustable
- Liberación rápida de atascamiento
- Indicador de luz de LED
- Gancho para cinturón

### ESPECIFICACIONES

<b>MODELO:</b>	PE20V31618G/ PE20VT31618 (Solo Herramienta)
<b>VOLTAJE:</b>	DC 20V Máximo
<b>BATERÍA:</b>	Freeman F20
<b>CAPACIDAD DEL CARGADOR:</b>	Clavos de Remate Recto: 80 Clavos de Brad: 100 Grapas: 100
<b>TIPO Y MEDIDA DE CLAVOS:</b>	Clavos de Recto Calibre 16: 20mm-50mm Clavos de Brad Calibre 18: 15mm-50mm Grapas Calibre 18: 16mm-40mm
<b>VELOCIDAD DE DISPAROS:</b>	90 pzs/min
<b>CLAVOS POR CARGA:</b>	1,300 piezas/carga(2 Ah)

### OPERACIÓN

#### ▲ ADVERTENCIA:

No permita que su familiarización con los productos lo vuelva descuidado. Tenga presente que un descuido de un instante es suficiente para causar una lesión grave.

#### ▲ ADVERTENCIA:

Siempre retire el paquete de baterías de la herramienta cuando esté ensamblando partes, realizando ajustes, limpiando o cuando ésta no esté en uso. Retirando el paquete de pilas se evita arrancar accidentalmente la unidad, lo cual puede causar lesiones serias.

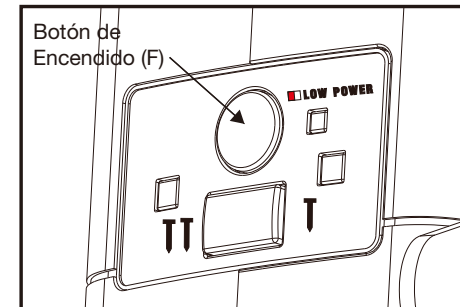
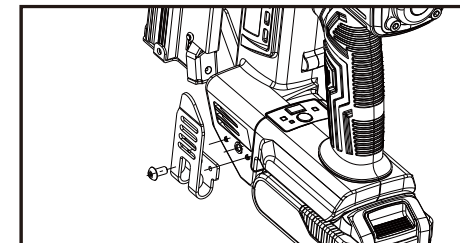
#### ▲ ADVERTENCIA:

Siempre póngase protección ocular con la marca de cumplimiento de la norma ANSI Z87.1. La inobservancia de esta advertencia puede permitir que los objetos lanzados hacia los ojos puedan provocar lesiones graves.

### CONECTAR EL CLIP DEL CINTURÓN

El clip para cinturón se puede instalar en la clavadora, según las preferencias del operador.

1. Retire la batería o presione el botón de encendido (F) para apagar la herramienta antes de conectar el clip del cinturón o colgar la herramienta en su cinturón.
2. Alinee el clip para cinturón y atornille firmemente con el orificio del tornillo lateral.
3. Apriete firmemente con una llave hexagonal M4 (incluida)



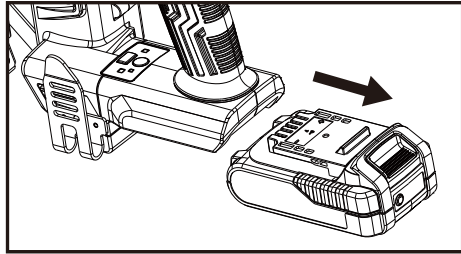
#### ▲ WARNING:

No cuelgue la herramienta de su cinturón mientras esté encendida. Dejar caer la herramienta o golpear la herramienta contra la superficie de trabajo puede causar disparo errado y lesiones serias.

### EXTRACCIÓN DE LA BATERÍA

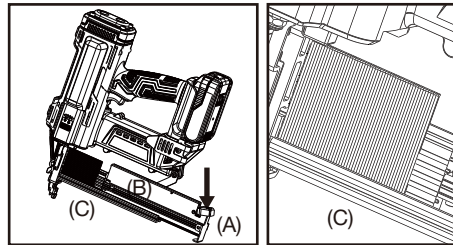
1. Presione el botón de liberación de la batería.
2. Libere la batería del cuerpo de la herramienta.



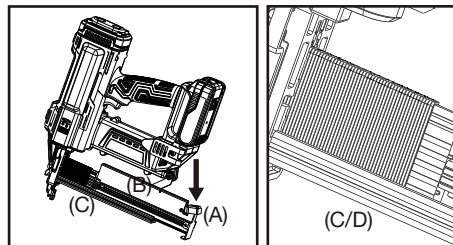


**CARGAR LOS SUJETADORES**

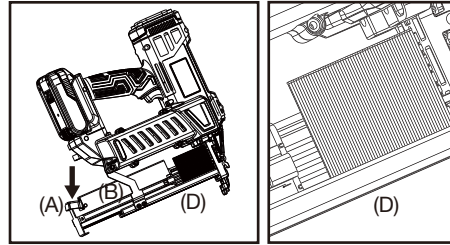
1. Presione el botón del pestillo (A). Tire hacia atrás de la portada de la revista (B).
2. Para Cargar Clavos de Brad: Inserte los clavos en el lado izquierdo del cargador (C). Asegúrate de que los extremos puntiagudos de los clavos descansan en el borde inferior del cargador.



3. Para Cargar Grapas: Inserte las grapas de modo la corona descansa sobre la parte superior del cargador.



4. Para Cargar Clavos de Acabado: Inserte los clavos en el lado derecho del cargador (D). Asegúrate de que los extremos puntiagudos de los clavos descansan en el borde inferior del cargador.



5. Empuje la tapa del cargador (B) hacia adelante hasta que salte el botón del pestillo (A).

**⚠ ADVERTENCIA:**  
Cargue solo un tipo de sujetador en el cargador a la vez. **NO MEZCLE** los sujetadores en el cargador.

**⚠ ADVERTENCIA:**  
Nunca cargue clavos con el contacto de trabajo o el gatillo activado. Hacerlo podría resultar en posibles lesiones personales graves.

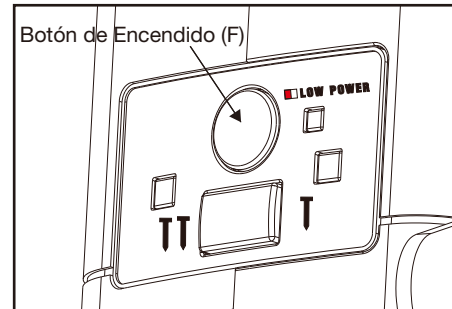
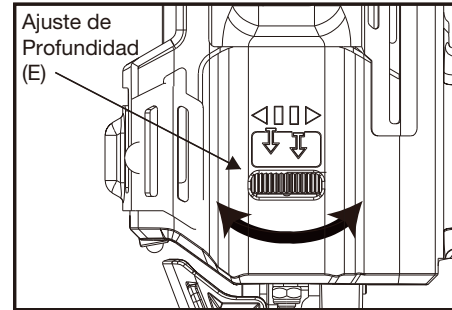
**⚠ ADVERTENCIA:**  
Mantenga la herramienta alejada de usted y de los demás cuando cargue clavos. No hacerlo podría resultar en posibles lesiones personales graves.

**⚠ ADVERTENCIA:**  
Use solo los clavos recomendados para usar con esta herramienta. El uso de otros clavos puede provocar un mal funcionamiento de la herramienta y provocar lesiones graves.

**AJUSTE DE LA PROFUNDIDAD**

Se puede ajustar la profundidad de conducción. Es recomendable probar la profundidad en una pieza de trabajo de desecho para determinar la profundidad requerida para la aplicación. Para lograr la profundidad deseada, use el ajuste de profundidad de transmisión en la herramienta.

1. Retire de la herramienta la batería si está instalado.
  2. Gire el control del ajuste de la profundidad (E) hacia la izquierda o la derecha para cambiar la profundidad de penetración.
  3. Réinstalar la batería y reactive la herramienta presionando el botón de encendido (F).
  4. Después de cada ajuste, introduzca un clavo de prueba hasta lograr la profundidad deseada.
- NOTA: Fije la profundidad de penetración en el valor más bajo que le permita cumplir con sus objetivos.



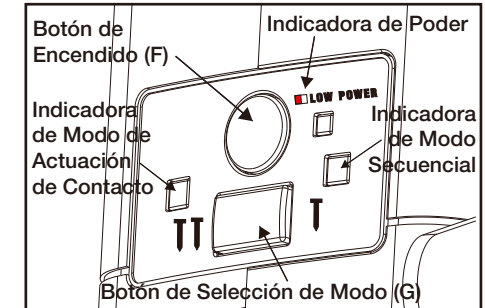
**LUZ DE TRABAJO LED**

La luz de trabajo LED sirven de lecturas para indicar si el paquete de baterías tiene suficiente carga y si la herramienta está funcionando correctamente.

- Si la luz de trabajo titilan, coloque una batería con plena carga. Si la luz siguen titilando, por favor llame al 1-888-669-5672 para obtener ayuda.
- Si la luz LED de la clavadora se apagan, la unidad se ha apagado para su protección. Presione el el botón de encendido (F) para reactivar la clavadora.

**DISPARA LA HERRAMIENTA**

Esta herramienta se ha enviado con el botón de selección de modo configurado en modo de disparo secuencial sencillo. El botón de selección de modo también se puede configurar para el modo de actuación de contacto.



**Modo de Disparo Secuencial Sencillo**

Disparo sencillo (actuación secuencial) proporciona la colocación más restrictivo y seguro para usuarios con menos experiencia. Para utilizar la herramienta para clavar clavos en este modo de accionamiento, el elemento de contacto con la pieza de trabajo y el gatillo se deben usar en un orden específico.

1. Reinstalar la batería y reactive la herramienta presionando el botón de encendido (F).
2. Presione el botón de selección de modo (G). La indicadora de modo secuencial se iluminará.
3. Presione completamente el elemento de contacto de trabajo persionando la punta de la herramienta contra la pieza de trabajo.
4. Apriete el gatillo firmemente y luego suéltalo. Se debe permitir que le herramienta retrae de la pieza de trabajo. El gatillo debe apretarse firmemente y luego soltarse.
5. Presione el botón de encendido (F) para apagar la herramienta cuando termine. Nota: Si se aprieta el gatillo antes de presionar el elemento de contacto de la pieza de trabajo, la herramienta no funcionará.



**Modo de Actuación de Contacto**

La actuación de contacto permite la colocación repetida del sujetador muy rápido. Se recomienda este método cuando se requiere una colocación de clavos menos precisa. Se deberá tener extremo cuidado porque siempre se colocará un clavos cuando el elemento de contacto de trabajo se presiona contra cualquier superficie.

Como la herramienta puede activarse sin retirar el dedo del gatillo, éste se considera un modo menos reserictivo, adecuado para usuarios con más experiencia.

Para utilizar la herramienta para clavar clavos en este modo, el elemento de contacto con la pieza de trabajo y gatillo se pueden accionar en cualquier orden.

1. Reinstalar la batería y reactive la herramienta presionando el botón de encendido (F).
2. Presione el botón de selección de modo (G). La indicadora de modo de actuación de contacto se iluminará.
3. Tire el gatillo y siga tirando de él con la herramienta separada de la pieza de trabajo.
4. Presione el elemento de contacto contra la pieza de trabajo. Se clavará un clavo. Se debe dejar que la herramienta retroceda alejándose de la pieza de trabajo.
5. Mueva la herramienta a lo largo de la pieza de trabajo con un movimiento de rebote. Cada vez que se presione el elemento de contacto con la pieza de trabajo, se clavar un clavo.
6. Presione el botón de encendido (F) para apagar la herramienta cuando termine.

**⚠ ADVERTENCIA:**  
Retire el dedo del gatillo cuando no esté clavando clavos. Lieve siempre la herramienta solamente por el mango.

**⚠ ADVERTENCIA:**  
Se debe dejar que la herramienta retroceda alejándose de la pieza de trabajo. No clave un clavo sobre otro clavo.

**⚠ ADVERTENCIA:**  
Durante el uso normal de la herramienta, ésta se retrae de inmediato después de introducir un sujetador. Así es el funcionamiento normal de la herramienta. No intente impedir la retracción presionando la clavadora contra la pieza de trabajo. Toda restricción impuesta a la retracción puede producir la impulsión de un segundo sujetador en la clavadora. La inobservancia de esta advertencia puede causar lesiones corporales serias.

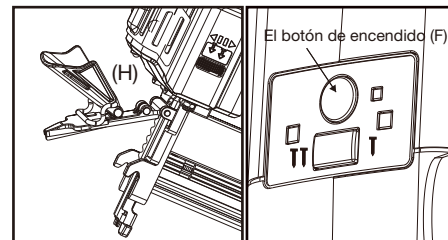
**⚠ ADVERTENCIA:**  
Siempre conozca el modo de actuación de la herramienta antes de usarla, de lo contrario podría ocasionar lesiones personales graves o la muerte.

**⚠ ADVERTENCIA:**  
No se debe utilizar una herramienta que funciona de forma inadecuada. No accione la herramienta al menos que se encuentre colocada de forma firme en el lugar de trabajo.

**COMO RETIRAR SUJETADORES ATASCADOS**

En ocasiones, un sujetador puede atascarse en el mecanismo de disparo, dejando la herramienta inoperante. Para retirar el sujetador atascado, siga los siguientes pasos:

1. Retire la batería.
2. Retire la tira de sujetadores del cargador.
3. Tire hacia abajo del pestillo de atasco (H) y retírelo de la herramienta.
4. Utilice unos alicates o un destornillador para despejar el sujetador atascado.
5. Cierre el pestillo de atasco.
6. Instale la batería.
7. Vuelva a cargar la herramienta con sujetadores. Presione el botón de encendido (F) para encender la herramienta.



**BATERÍAS**

Las baterías están diseñadas para proporcionar una larga vida de servicio sin problemas. No obstante, como todas las baterías, finalmente se acaban. No desarme el paquete de baterías para tratar de cambiar las baterías. El manejo de estas baterías, especialmente cuando se traen puestos anillos y joyas, puede causar quemaduras serias.

- Retire el paquete de baterías del cargador una vez cargado completamente y listo para usarse.
- Guarde la batería donde la temperatura sea inferior a 27°C (80°F) y lejos de la humedad.
- Guarde el paquete de baterías cargado de un 30% a un 50%.
- Cargue la batería de manera normal, cada seis meses de almacenamiento.

**RECICLAJE DE BATERÍAS**

Para preservar los recursos naturales, le suplicamos reciclar o desechar debidamente las baterías. Este producto contiene baterías de iones de litio. Es posible que algunas leyes municipales, estatales o federales prohíban desechar las baterías de iones de litio en la basura normal. Consulte a las autoridades reguladoras de desechos para obtener información en relación con las alternativas de reciclado y desecho disponibles.

**MANTENIMIENTO**

**LIMPIEZA DEL CANAL DE CLAVOS**

Los problemas con los clavos o los ciclos de los clavos durante el disparo pueden deberse al residuo de pegamento de los listones de clavado. Si este es el caso, limpie el área que rodea el mecanismo de impulsión.

- Quite la batería de la herramienta.
- Deslice y baje la tapa del polvorín para quitar los clavos y exponer el canal de clavos.
- Use una pequeña cantidad de aceite para herramientas neumáticas en un paño limpio para limpiar y secar el canal de clavos, hasta que se hayan eliminado todos los restos de pegamento.
- Vuelva a instalar los clavos en el polvorín y cierre la tapa del polvorín.

**OPERACIÓN EN CLIMAS FRÍOS**

Cuando esté operando la herramienta en ambientes bajo cero:

1. Antes de usar la herramienta, manténgala lo más cálido posible.
2. Dispare la herramienta en un pedazo inservible de material 5 a 6 veces.

## **GARANTÍA**

### **GARANTÍAS DE LOS PRODUCTOS PGP INC.**

#### **Garantía de 1 Año Para Herramientas Profesionales**

La garantía limitada para herramientas Freeman se extiende en forma exclusiva al comprador original del producto Freeman, comienza en la fecha de compra. Durante el período de garantía Prime Global Products, Inc. (PGP) garantiza expresamente que el producto Freeman está libre de defectos de material y mano de obra con sujeción a las excepciones y limitaciones contenidas en el presente. A su elección, PGP reparará, reemplazará u ofrecerá un reembolso completo por un producto Freeman que tenga un defecto de material o mano de obra.

PARA HACER UN RECLAMO DE GARANTÍA SE REQUIERE EL ORIGINAL DEL RECIBO O PRUEBA DE COMPRA QUE EMITIÓ EL VENDEDOR DONDE SE INDIQUE LA FECHA DE COMPRA. También se necesita registrar la garantía lo que se podrá hacer a través del proceso de registro de producto en línea en [www.freemantools.com](http://www.freemantools.com), seleccione SOPORTE, luego REGISTRO DE PRODUCTO. Para hacer un reclamo de garantía, el comprador original deberá enviar a PGP o a uno de sus centros de servicios autorizados la Pistola para Clavos Freeman, franqueo postal prepago y garantizado, incluyendo la prueba de compra. Para cualquier consulta llame al 1-888-669-5672. No se hará cobro alguno por las reparaciones que estén cubiertas por la presente garantía, con excepción del costo del franqueo postal y los requisitos de seguro.

#### **Exclusiones de la garantía**

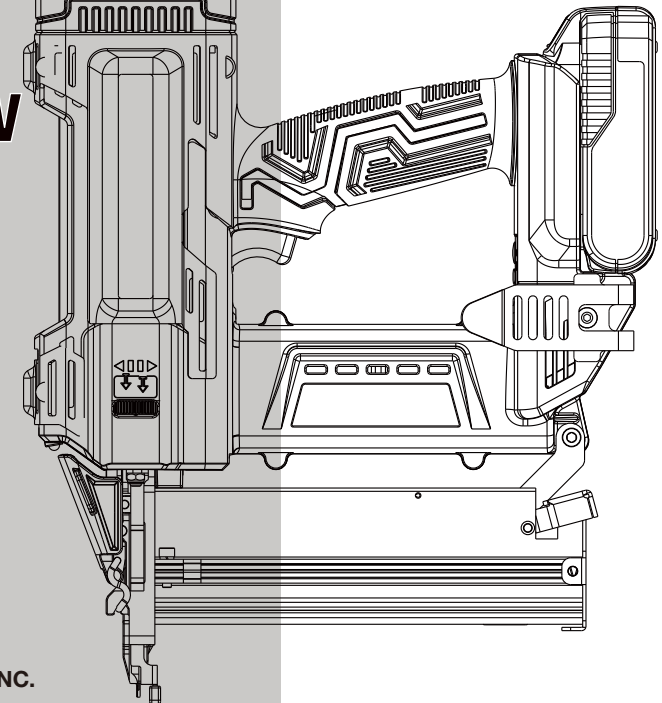
Esta garantía no se aplicará en ninguno de los siguientes casos:

- Cuando se hayan hecho, o intentado hacer, reparaciones o modificaciones por otros o cuando se haya usado sin autorización piezas o accesorios no conformes.
- Cuando se requiera hacer reparaciones debido al desgaste lógico y normal.
- Cuando se haya usado inadecuadamente la pistola para clavos o no se haya operado en forma apropiada o no se le haya dado el mantenimiento que correspondía, incluyendo: no usar aire comprimido regulado, seco y limpio a la presión recomendada; accidentes provocados por uso del producto Freeman después de una falla parcial.
- El producto Freeman se usa comercialmente en líneas de ensamblaje o de producción. El producto Freeman está diseñado para ser usado por personas particulares y por eso que esta garantía no se extiende a usos comerciales.

# FREEMAN

**MODÉLE: PE20V31618G/  
PE20VT31618**

## **CLOUEUSE ET AGRAFEUSE 3 EN 1 DE 20V**



- [WWW.FREEMANTOOLS.COM](http://WWW.FREEMANTOOLS.COM)
- 1-888-669-5672
- PRIME GLOBAL PRODUCTS, INC.



#### **AVERTISSEMENT:**

Tout manquement aux mises en garde pourrait se solder par  
MORT D'HOMME OU DES BLESSURES GRAVES.

**CONSERVEZ CE MANUEL POUR RÉFÉRENCE ULTÉRIEURE.**

<b>SYMBOLES</b>	29
<b>RÈGLES DE SÉCURITÉ GÉNÉRALES</b>	29 - 30
<b>RÈGLES DE SÉCURITÉ RELATIVES AUX CLOUEUSE</b>	30 - 33
<b>CARACTÉRISTIQUES</b>	34
<b>SPÉCIFICATIONS</b>	34
<b>UTILISATION</b>	34 - 38
AGRAFE POUR COURROIE	34
RETRAIT DU BLOC-PILES	35
CHARGEMENT DES ATTACHES	35
RÉGLAGE DE PROFONDEUR D'ENFONCEMENT	36
LAMPE DE TRAVAIL À LED	36
DÉCLENCHEMENT DE L'OUTIL	36 - 37
DÉGAGER LES BLOCAGES	38
PRÉPARATION DU BATTERIES POUR LE RECYCLAGE	38
<b>ENTRETIEN</b>	38
<b>GARANTIE</b>	39



**AVERTISSEMENT:**

Les consignes de sécurité et précautions mentionnées dans ce guide ne couvrent pas toutes les conditions et situations pouvant se produire. Soyez conscient des risques potentiels et prenez toutes les mesures de sécurité nécessaires pour éviter les blessures.



**CONSERVEZ CE MANUEL**

- Gardez ce manuel qui contient les avertissements de sécurité, les précautions à prendre, le mode de fonctionnement, les inspections et l'entretien à effectuer. Gardez ce manuel et le reçu dans un endroit sec et sécuritaire pour référence ultérieure.

**▲ AVERTISSEMENT:**  
**Pour éviter des blessures graves, n'utilisez pas ce produit tant que vous n'avez pas lu et compris le manuel attentivement. Conservez ce manuel et relisez-le fréquemment pour une utilisation en toute sécurité et pour informer les autres utilisateurs potentiels de cet outil.**

**SYMBOLES**

- Les termes de mise en garde suivants et leur signification ont pour but d'expliquer le degré de risque associé à l'utilisation de ce produit.

SYMBOLES	INDICATEUR	SIGNIFICATION
	AVERTISSEMENT :	Indique une situation potentiellement dangereuse qui, si elle n'est pas évitée, pourrait se solder par mort d'homme ou des blessures graves.
	ATTENTION:	Indique une situation potentiellement dangereuse qui, si elle n'est pas évitée, pourrait se solder par des blessures mineures ou modérées.
	ATTENTION:	(Aucun symbole) Indique une situation qui pourrait poser des risques de dommages matériels.

**RÈGLES DE SÉCURITÉ GÉNÉRALES**

**PROPOSITION 65 DE LA CALIFORNIE**

**▲ AVERTISSEMENT:**

Ce produit peut vous exposer à des produits chimiques, y compris le plomb, qui est connu dans l'État de Californie pour causer le cancer et des malformations congénitales ou d'autres problèmes de reproduction. Pour plus d'informations, visitez [www.P65Warnings.ca.gov](http://www.P65Warnings.ca.gov).

**SÉCURITÉ DU LIEU DE TRAVAIL**

- **Garder le lieu de travail propre et bien éclairé.** Les endroits encombrés ou sombres sont propices aux accidents.
- **Ne pas utiliser d'outils électriques dans des atmosphères explosives, par exemple en présence de liquides, gaz ou poussières inflammables.** Les outils électriques produisent des étincelles risquant d'enflammer les poussières ou vapeurs.
- **Garder les enfants et badauds à l'écart pendant l'utilisation d'un outil électrique.** Les distractions peuvent causer une perte de contrôle.

**SÉCURITÉ ÉLECTRIQUE**

- **Les fiches des outils électriques doivent correspondre à la prise secteur utilisée.** Ne jamais modifier la fiche, de quelque façon que ce soit. Ne jamais utiliser d'adaptateurs de fiche avec des outils mis à la terre. Les fiches et prises non modifiées réduisent le risque de choc électrique.
- **Éviter tout contact du corps avec des surfaces mises à la terre, telles que tuyaux, radiateurs, cuisinières et réfrigérateurs.** Le risque de choc électrique est accru lorsque le corps est mis à la terre.
- **Ne pas exposer les outils électriques à l'eau ou l'humidité.** La pénétration d'eau dans ces outils accroît le risque de choc électrique.
- **Ne pas maltraiter le cordon d'alimentation.** Ne jamais utiliser le cordon d'alimentation pour transporter l'outil et ne jamais débrancher ce dernier en tirant sur le cordon. Garder le cordon à l'écart de la chaleur, de l'huile, des objets tranchants et des pièces en mouvement. Un cordon endommagé ou emmêlé accroît le risque de choc électrique.
- **Pour les travaux à l'extérieur, utiliser un cordon spécialement conçu à cet effet.** Utiliser un cordon conçu pour l'usage extérieur pour réduire les risques de choc électrique.
- **S'il est nécessaire d'utiliser l'outil électrique dans un endroit humide, employer un dispositif interrupteur de défaut à la terre (GFCI).** L'utilisation d'un GFCI réduit le risque de décharge électrique. **Ne recharger les piles qu'avec l'appareil indiqué. Pour utiliser l'appareil avec des piles au nickel-cadmium et au lithium-ion de 18 V, consulter le supplément de raccordement pour chargeur / outils / piles / appareil n° 987000-432.**

## SÉCURITÉ PERSONNELLE

- **Rester attentif, prêter attention au travail et faire preuve de bon sens lors de l'utilisation de tout outil électrique.** Ne pas utiliser cet outil en état de fatigue ou sous l'influence de l'alcool, de drogues ou de médicaments. Un moment d'inattention pendant l'utilisation d'un outil électrique peut entraîner des blessures graves.
- **Utiliser l'équipement de sécurité. Toujours porter une protection oculaire.** L'équipement de sécurité, tel qu'un masque filtrant, de chaussures de sécurité, d'un casque ou d'une protection auditive, utilisé dans des conditions appropriées réduira le risque de blessures.
- **Éviter les démarrages accidentels.** S'assurer que le commutateur est en position d'arrêt avant de brancher l'outil. Porter un outil avec le doigt sur son commutateur ou brancher un outil dont le commutateur est en position de marche peut causer un accident.
- **Retirer les clés de réglage avant de mettre l'outil en marche.** Une clé laissée sur une pièce rotative de l'outil peut causer des blessures.
- **Ne pas travailler hors de portée.** Toujours se tenir bien campé et en équilibre. Ceci permettra de mieux contrôler l'outil en cas de situation imprévue.
- **Porter une tenue appropriée.** Ne porter ni vêtements amples, ni bijoux. Garder les cheveux, les vêtements et les gants à l'écart des pièces en mouvement. Les vêtements amples, bijoux et cheveux longs peuvent se prendre dans les pièces en mouvement.
- **Si les outils sont équipés de dispositifs de dépeussierage, s'assurer qu'ils sont connectés et correctement utilisés.** L'usage de ces dispositifs de dépeussierage peut réduire les dangers présentés par la poussière.
- **Ne porter ni vêtements amples, ni bijoux. Attacher ou couvrir les cheveux longs.** Les vêtements amples, bijoux et cheveux longs peuvent se prendre dans les ouïes d'aération.
- **Ne pas utiliser l'outil sur une échelle ou un support instable.** Une bonne tenue et un bon équilibre permettent de mieux contrôler l'outil en cas de situation imprévue.

## UTILISATION ET ENTRETIEN DE LA PILE

- **Ne recharger qu'avec l'appareil spécifié par le fabricant.** Un chargeur approprié pour un type de pile peut créer un risque d'incendie s'il est utilisé avec un autre type de pile.
- **Utiliser exclusivement le bloc-pile spécifiquement indiqué pour l'outil.** L'usage de tout autre bloc peut créer un risque de blessures et d'incendie.
- **Lorsque le bloc-piles n'est pas en usage, le garder à l'écart d'articles tels qu'attaches trombones, pièces de monnaie, clous, vis ou autres petits objets métalliques risquant d'établir le contact entre les deux bornes.** La mise en court-circuit des bornes de piles peut causer des irritations ou des brûlures.
- **En cas d'usage abusif, du liquide peut s'échapper des piles.** Éviter tout contact avec ce liquide. En cas de contact accidentel, rincer immédiatement les parties atteintes avec de l'eau. En cas d'éclaboussure dans les yeux consulter un médecin. Le liquide s'échappant des piles peut causer des irritations ou des brûlures.

## DÉPANNAGE

- **Les réparations doivent être confiées à un technicien qualifié, utilisant exclusivement des pièces identiques à celles d'origine.** Ceci assurera le maintien de la sécurité de l'outil.

## RÈGLES DE SÉCURITÉ RELATIVES AUX CLOUEUSE

- **Toujours présumer que l'outil contient des attaches.** La manipulation inadéquate de la cloueuse peut provoquer un tir accidentel d'attaches et causer des blessures.
- **Ne pas pointer l'outil vers soi ou d'autres personnes.** L'actionnement accidentel entraînera le tir d'une attache et causera des blessures.

- **Ne pas actionner l'outil s'il n'est pas fermement appuyé sur la pièce à clouer.** Lorsque l'outil n'est pas en contact avec la pièce à clouer, l'attache peut être déviée de sa cible.
- **Débrancher l'outil de la source d'alimentation lorsque les confitures de fixation de l'outil.** Tout en retirant une agrafe coincée, l'agrafeuse peut être activé accidentellement s'il est branché po.
- **Être prudent lors du retrait d'une attache bloquée.** Le mécanisme peut être comprimé et l'attache peut être projetée avec force pendant la tentative de délogement.
- **Ne pas utiliser cette cloueuse pour fixer du câblage électrique.** Cet outil n'est pas conçu pour fixer du câblage électrique et peut endommager l'isolant des câbles et des risques d'électrocution et d'incendie.
- **Lorsque l'outil est utilisé pour un travail risquant de le mettre en contact avec des fils électriques cachés, le tenir par les surfaces de prise isolées.** Le contact d'un dispositif de fixation avec un fil sous tension « électrifié » les pièces métalliques exposées de l'outil et peut électrocuter l'utilisateur.
- **Apprendre à connaître l'outil.** Lire attentivement le manuel d'utilisation. Apprendre les applications et les limites de l'outil, ainsi que les risques spécifiques relatifs à son utilisation. Le respect de cette consigne réduira les risques d'incendie, de choc électrique et de blessures graves.
- **Toujours porter une protection oculaire aven écran de protection latéra certifiée conforme à la norme ANSI Z87.1.** Les lunettes de vue ordinaires ne sont munies que de verres résistants aux chocs. Ces dernières ne sont PAS des lunettes de sécurité. Le respect de cette règle réduira les risques de blessures graves.
- **Lors du chargement, de l'utilisation ou de l'entretien de cet outil, l'opérateur et les personnes se trouvant sur le lieu de travail doivent TOUJOURS porter un dispositif oculaire à protection FRONTALE et LATÉRALE, conforme aux normes ANSI.** Une telle protection est requise, car les clous / agrafes et débris projetés peuvent causer des lésions oculaires graves.
- **Il incombe à l'employeur et / ou l'utilisateur de veiller à ce qu'une protection oculaire adéquate soit utilisée.** Nous recommandons d'utiliser un masque facial à champ de vision se portant par-dessus des lunettes de vue ou de sécurité et potégeant des débris projetés sur le devant et les côtés. Toujours porter une protection oculaire certifiée conforme à la norme ANSI Z87.1.
- **Des équipements de protection supplémentaires sont requis dans certains environnements.** Par exemple, le lieu de travail peut présenter un niveau de bruit susceptible d'entraîner des lésions auditives. Il incombe à l'opérateur et à l'utilisateur qu'une protection auditive soit fournie et utilisée par l'opérateur et les autres personnes se trouvant sur le lieu de travail. Certains environnements requièrent le port d'un casque. Il incombe à l'employeur et / ou l'utilisateur de veiller à ce qu'un casque conforme à la norme ANSI Z89.1-1997 soit utilisé.
- **Excepté pour planter des clous, garder les doigts à l'écart de la gâchette, pour éviter un déclenchement accidentel. Utiliser l'équipement de sécurité.** Toujours porter une protection oculaire. Suivant les conditions, le port d'un masque antipoussière, de chaussures de sécurité, d'un casque ou d'une protection auditive est recommandé.
- **Protection respiratoire.** Porter un masque facial ou un masque antipoussière si le travail produit de la poussière. Le respect de cette consigne réduira les risques de blessures graves.
- **Protection auditive.** Porter une protection auditive lors de l'utilisation prolongée. Le respect de cette règle réduira les risques de blessures graves.
- **Les outils fonctionnant sur piles n'ayant pas besoin d'être branchés sur une prise secteur, ils sont toujours en état de fonctionnement.** Tenir compte des dangers possibles lorsque l'outil n'est pas en usage et lors du remplacement des piles. Le respect de cette consigne réduira les risques d'incendie, de choc électrique et de blessures graves.



- **Ne pas placer les outils électriques sans fil ou leurs piles à proximité de flammes ou d'une source de chaleur.** Ceci réduira les risques d'explosion et de blessures.
- **Ne pas écraser, faire tomber ou endommager le bloc-piles.** Ne jamais utiliser un bloc-piles ou un chargeur qui est tombé, a été écrasé, a reçu un choc violent ou a été endommagé de quelque façon que ce soit. Une pile endommagée risque d'exploser. Éliminer immédiatement toute pile endommagée, selon une méthode appropriée.
- **Les piles peuvent exploser en présence d'une source d'allumage, telle qu'une veilleuse.** Pour réduire les risques de blessures graves, ne jamais utiliser un appareil sans fil, quel qu'il soit, en présence d'une flamme vive. En explosant, une pile peut projeter des débris et des produits chimiques. En cas d'exposition, rincer immédiatement les parties atteintes avec de l'eau.
- **Ne pas recharger un outil fonctionnant sur piles dans un endroit humide ou mouillé.** Le respect de cette règle réduira les risques de choc électrique.
- **Pour un résultat optimal, le piles de l'outil doivent être rechargées dans un local où la température est de 10 à 38 °C (50 à 100 °F).** Ne pas ranger l'outil à l'extérieur ou dans un véhicule.
- **Si l'outil est utilisé de façon intensive ou sous des températures extrêmes, des fuites de piles peuvent se produire.** En cas de contact du liquide avec la peau, rincer immédiatement la partie atteinte avec de l'eau savonneuse, puis neutraliser avec du jus de citron ou du vinaigre. En cas d'éclaboussure dans les yeux, les rincer à l'eau fraîche pendant au moins 10 minutes, puis contacter immédiatement un médecin. Le respect de cette règle réduira les risques de blessures graves.
- **L'outil ne doit être utilisé que pour les applications pour lesquelles il est conçu.** Ne pas décharger des clous dans le vide.
- **Cet outil ne doit être utilisé que pour les applications pour lesquelles il est conçu.**

- **Utiliser seulement les agrafes recommandées pour cet outil.** L'utilisation du mauvais type d'agrafes pourrait nuire au débit des agrafes et entraîner des bourrages
- d'agrafes ainsi que l'éjection des clous de l'outil à des angles irréguliers. Si le débit des agrafes n'est pas constant et fluide, cesser de les utiliser sur le champ. Les bourrages et un débit d'agrafes irrégulier peuvent occasionner des blessures graves.
- **Ne jamais utiliser cet outil de façon à ce qu'un clou puisse être dirigé vers quoi que ce soit d'autre que la pièce à clouer.**
- **Ne pas utiliser cet outil comme un marteau.**
- **Toujours transporter l'outil par la poignée.**
- **Ne pas altérer ou modifier cet outil, ni l'utiliser pour des fonctions autres que celles prévues, sans autorisation préalable de son fabricant.**
- **Ne jamais oublier qu'un usage incorrect ou abusif de cet outil peut mettre l'opérateur et les autres personnes présentes en danger.**
- **Ne jamais bloquer la gâchette ou le contact de la clousure en position de déclenchement avec du ruban adhésif ou un quelconque autre système.**
- **Ne jamais laisser l'outil sans surveillance avec le bloc-piles installé.**
- **Ne pas utiliser cet outil s'il ne comporte pas d'autocollant d'avertissement.**
- **Garder l'outil et sa poignée secs, propres et exempts d'huile ou de graisse.** Toujours utiliser un chiffon propre pour le nettoyage. Ne jamais utiliser de liquide de freins, d'essence, de produits à base de pétrole ou de solvants forts pour nettoyer l'outil. Le respect de cette règle réduira les risques de perte du contrôle et d'endommagement du boîtier en plastique.

## SÉCURITÉ D'UTILISATION

- **Ne pas utiliser l'outil si la gâchette ne fonctionne pas correctement.** Tout outil qui ne peut pas être contrôlé par la gâchette est dangereux et doit être réparé.

- **Vérifier le mécanisme de contact de la tête de l'outil fréquemment.** Ne pas utiliser l'outil si le mécanisme de déclenchement par contact ne fonctionne pas correctement, car l'éjection accidentelle d'une agrafe pourrait se produire. Ne pas empêcher le fonctionnement correct du mécanisme de contact de la tête de la cloueuse.
- **Ne pas utiliser un outil qui ne fonctionne pas correctement.**
- **Toujours présumer que l'outil contient des clous /agrafes.**
- **Ne pas transporter l'outil avec le doigt sur la gâchette. Un clou pourrait être éjecté accidentellement.**
- **Toujours manipuler l'outil avec précaution:**
  - Respecter cet outil comme tout équipement de travail.
  - Ne pas l'utiliser comme un jouet.
  - Ne jamais appuyer sur la gâchette si la tête de l'outil n'est pas dirigée vers la pièce à clouer.
  - Garder toutes les personnes présentes à distance sûre de l'outil, car un éventuel déclenchement accidentel pourrait entraîner des blessures.
- **Le choix de la méthode de déclenchement est important.** Voir les options de déclenchement dans le manuel.
- **Ne pas tenir l'outil par la face avant du chargeur.** Tenir les mains, la tête et toute autre partie du corps à distance du point d'éjection des clous, près du chargeur, afin d'éviter des blessures graves.
- **Ne pointer l'outil ni vers soi, ni vers quiconque, qu'il contienne des clous ou non.**
- **N'actionner l'outil que pour planter un clou dans la pièce à assujettir.**
- **Toujours s'assurer que la surface de contact est exactement positionnée sur la pièce à clouer.** Un positionnement seulement partiel de la surface de contact sur la pièce à clouer peut occasionner des blessures graves car l'agrafe risque d'être éjectée complètement à côté de la pièce.
- **Ne pas planter de clous près du bord du matériau.** La pièce à clouer peut se fendre, causant un ricochet du clou, qui risque alors de blesser l'opérateur ou une autre personne présente. Ne pas oublier que le clou peut suivre le grain du bois et que sa pointe peut ressortir inopinément par le bord de la planche.
- **Garder les mains et toutes les parties du corps à l'écart du point à clouer.** Au besoin, assujettir la pièce à clouer avec des serre-joint pour garder les mains à l'écart de la zone dangereuse. S'assurer que la pièce à clouer est correctement assujettie avant d'appuyer la cloueuse à sa surface. Le contact de la cloueuse peut causer un déplacement inopiné de la pièce.
- **Lors du travail dans des endroits confinés, garder le visage et le corps à l'écart de l'arrière de l'outil.** Un recul brusque peut projeter la cloueuse contre le corps, en particulier lors du clouage de matériaux denses.
- **Durant l'utilisation normale de l'outil, un recul se produit lorsqu'un clou est planté.** Ce recul est normal. Ne pas essayer de l'empêcher en maintenant l'outil contre la pièce à clouer. Empêcher le recul pourrait causer l'éjection d'un second clou. Le non respect de cette mise en garde peut entraîner des blessures graves.
- **Ne pas planter un clou sur un autre ou avec l'outil à un angle trop prononcé, car le clou pourrait dévier et blesser quelqu'un.**

## CHARGEMENT DE L'OUTIL

- **Ne pas charger l'outil lorsque l'une des commandes de déclenchement est activée.**
- **Ne jamais placer une main ou une partie quelconque du corps devant la tête de l'outil.**
- **Ne jamais pointer l'outil sur qui que ce soit.**
- **Ne pas appuyer sur la gâchette ou sur le mécanisme de contact, car l'outil pourrait éjecter une agrafe, risquant blesser quelqu'un.**

**CARACTÉRISTIQUES**

- Batterie Au Lithium-ion de 20V
- Conception du Chargeur 3 en 1
- Mode De Déclenchement À Double Action Réglable
- Réglage De Hauteur
- Déblocage Sans Outil
- Indicateur Del
- Crochet De Ceinture

**SPÉCIFICATIONS**

<b>MODÈLE:</b>	PE20V31618G/ PE20VT31618 (Outil Seulement)
<b>TENSION D'ENTRÉE:</b>	DC 20V Max
<b>BATTERIE:</b>	Freeman F20
<b>LA CAPACITÉ DU MAGASIN:</b>	Clous de Finition Droits: 80 Clous de Brad: 100 Agrafes: 100
<b>TYPE / GAMME DE FIXATION:</b>	Clous de Finition Calibre 16: 20mm - 50mm Clous de Brad Calibre 18: 15mm - 50mm Agrafes Calibre 18: 16mm - 40mm
<b>VITESSE DE TIR:</b>	90 pièces/min
<b>ATTACHES PAR CHARGE:</b>	1,300 pièces/charge(2 Ah)

**UTILISATION**

**▲ AVERTISSEMENT:**

Ne pas laisser la familiarité avec l'outil faire oublier la prudence. Ne pas oublier qu'une fraction de seconde d'inattention peut entraîner des blessures graves.

**▲ AVERTISSEMENT:**

Toujours retirer la pile de l'outil au moment d'assembler des pièces, d'effectuer des réglages et de procéder au nettoyage, ou lorsque l'outil n'est pas utilisé. Le fait de retirer la pile permet d'empêcher un démarrage accidentel pouvant entraîner des blessures graves.

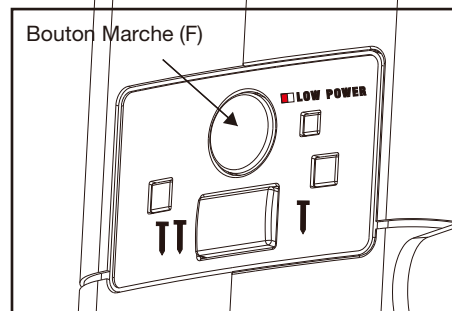
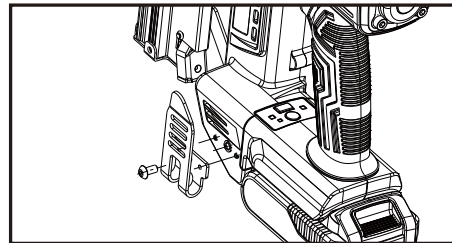
**▲ AVERTISSEMENT:**

Toujours porter une protection oculaire certifiée conforme à la norme ANSI Z87.1. Si cette précaution n'est pas prise, des objets peuvent être projetés dans les yeux et causer des lésions graves.

**AGRAFE POUR COURROIE**

Le clip de ceinture peut être installé sur la cloueuse, selon les préférences de l'opérateur.

1. Retirez la batterie ou appuyez sur le bouton d'alimentation (F) pour éteindre l'outil avant de fixer le clip de ceinture ou de suspendre l'outil à votre ceinture. Alignez le clip de ceinture et vissez fermement avec le trou de vis latéral.
3. Serrez fermement à l'aide d'une clé hexagonale M4 (incluse)

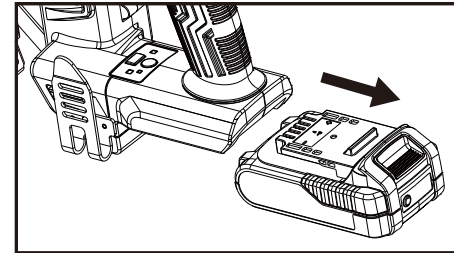


**▲ WARNING:**

Ne suspendez pas l'outil à votre ceinture lorsqu'il est allumé. Faire tomber l'outil ou heurter l'outil contre la surface de travail peut provoquer des ratés d'allumage et des blessures graves.

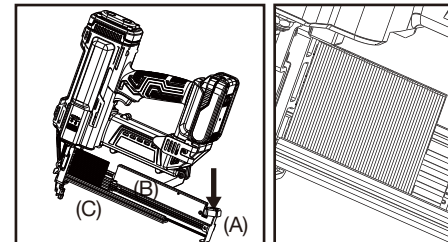
**RETRAIT DU BLOC-PILES**

1. Appuyez sur le bouton de dégagement de la batterie.
2. Tirez sur la batterie pour la faire sortir du corps de la cloueuse/agrafeuse.

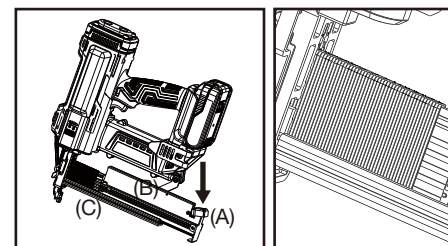


**CHARGEMENT DES ATTACHES**

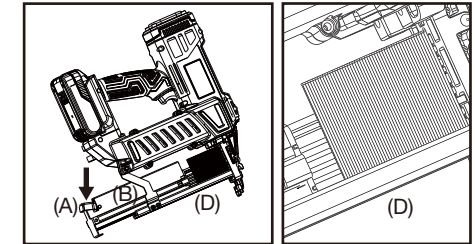
1. Appuyez sur le bouton du loquet (A). Tirez sur le couvercle du magasin (B).
2. Charger les Clous Brad: Insérez les clous dans le côté gauche du magasin (C). Assurez-vous que les extrémités pointues des clous reposent sur le bord inférieur du magazine.



3. Charger des Agrafes: Insérez les agrafes de manière à ce que la couronne repose sur le dessus du magasin.



4. Charger les Clous de Finition: Insérez les clous dans le côté droit du magasin (D). Assurez-vous que les extrémités pointues des clous reposent sur le bord inférieur du magazine.



5. Poussez le couvercle du magasin (B) vers l'avant jusqu'à ce que le bouton de verrouillage (A) ressorte.

**▲ AVERTISSEMENT:**

Charger un seul type d'attache à la fois dans le chargeur. NE MÉLANGEZ PAS les attaches dans le chargeur.

**▲ AVERTISSEMENT:**

Ne jamais charger de clous avec le contact de travail ou la gâchette activés. Cela pourrait entraîner des blessures corporelles graves.

**▲ AVERTISSEMENT:**

Gardez l'outil pointé loin de vous et des autres lors du chargement des clous. Le non-respect de cette consigne peut entraîner des blessures graves.

**▲ AVERTISSEMENT:**

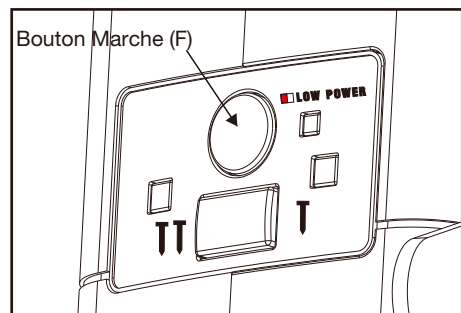
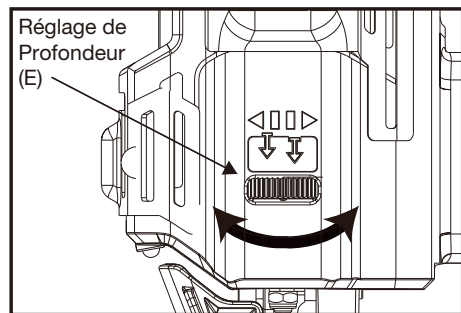
Utilisez uniquement les clous recommandés pour cet outil. L'utilisation de tout autre clou peut entraîner un dysfonctionnement de l'outil, entraînant des blessures graves.

## RÉGLAGE DE PROFONDEUR D'ENFONCEMENT

La profondeur de conduite peut être ajustée. Il est conseillé de tester la profondeur sur une pièce de ferraille pour déterminer la profondeur requise pour l'application. Pour atteindre la profondeur désirée, utilisez le réglage de la profondeur d'entraînement sur l'outil.

1. Retirer le bloc-piles, s'il est installé.
2. Tourner le réglage de profondeur (E) gauche ou droit pour modifier la profondeur d'enfoncement.
3. Réinstallez la batterie et activez l'outil en appuyant sur le bouton marche (F).
4. Faire un essai d'enfoncement d'un clou après chaque réglage, jusqu'à ce que la profondeur désirée soit obtenue.

NOTE : Régler la profondeur d'enfoncement selon la profondeur minimale qui conviendra au travail à effectuer.



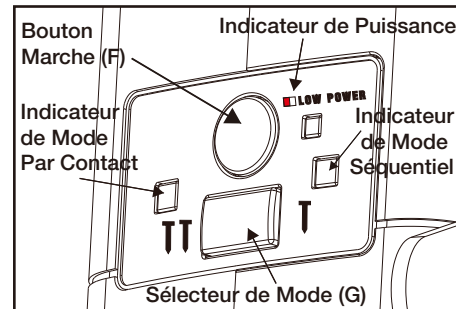
## LAMPE DE TRAVAIL À LED

Le témoin DEL offrent une rétroaction indiquant la charge suffisante du bloc-piles et le fonctionnement adéquat de l'outil.

- Installer un bloc-piles complètement chargé lorsque le témoin clignote. Si les lumières continuent de clignoter, veuillez appeler le 1-888-669-5672 pour obtenir de l'aide.
- Si le témoin DEL de la cloueuse s'éteignent, cela signifie que l'outil a effectué un arrêt de protection. Soulever l'outil de la pièce à clouer et relâcher la gâchette afin de réactiver la cloueuse avant de recommencer un nouveau cycle de clouage.

## DÉCLENCHEMENT DE L'OUTIL

Esta herramienta se ha enviado con el botón de selección de modo configurado en modo de disparo secuencial sencillo. El botón de selección de modo también se puede configurar para el modo de actuación de contacto.



### Mode de Déclenchement Séquentiel

Le déclenchement séquentiel permet de poser les clous avec plus de précision. Ce mode est plus restrictif et convient mieux aux utilisateurs moins expérimentés.

Pour pouvoir utiliser l'outil afin d'enfoncer des clous dans ce mode, il faut utiliser l'élément de contact avec l'ouvrage et la gâchette dans un ordre spécifique.

1. Réinstallez la batterie et réactivez l'outil en appuyant sur le bouton marche (F).

2. Appuyez sur le bouton de sélection de mode (G). L'indicateur de mode séquentiel s'allumera.
3. Enfoncez complètement l'élément de contact de travail en appuyant la pointe de l'outil contre la pièce à travailler.
4. Appuyez fermement sur la gâchette puis relâchez-la. L'outil doit pouvoir se rétracter de la pièce. La gâchette doit être pressée fermement puis relâchée.
5. Appuyez sur le bouton d'alimentation (F) pour éteindre l'outil lorsque vous avez terminé.  
Remarque: Si vous appuyez sur la gâchette, puis appuyez sur l'élément de contact contre la surface de travail, l'outil ne fonctionnera pas.

### Mode de Déclenchement Par Contact

Le déclenchement par contact permet de placer des clous à répétition très rapidement. Ce mode est recommandé pour les tâches de clouage nécessitant moins de précision. Soyez extrêmement vigilant: l'outil enfonce un clou lorsque l'élément de contact est appuyé contre toute surface. Comme ce mode permet d'activer l'outil sans retirer le doigt de la gâchette, il est considéré comme étant moins restrictif et convient aux utilisateurs expérimentés.

Pour pouvoir utiliser l'outil afin d'enfoncer des clous dans ce mode d'éjection, l'élément de contact avec l'ouvrage et gâchette peuvent être actionnés dans n'importe quel ordre.

1. Réinstallez la batterie et réactivez l'outil en appuyant sur le bouton marche (F).
2. Appuyez sur le bouton de sélection de mode (G). L'indicateur de mode par contact s'allumera.
3. Tirez sur la gâchette et maintenez la tirée avec l'outil positionné de façon à ne pas être en contact avec l'ouvrage.
4. Appuyez l'élément de contact avec l'ouvrage contre l'ouvrage. Un clou sera enfoncé. Il faut permettre le rebond de l'outil loin de l'ouvrage.
5. Faites avancer l'outil le long de l'ouvrage avec un mouvement rebondissant. Chaque fois que l'élément de contact avec l'ouvrage est enfoncé, un clou sera éjecté.

6. Dès que le nombre désiré de clous auront été enfoncés retirez le doigt de la gâchette.
7. Appuyez sur le bouton d'alimentation (F) pour éteindre l'outil lorsque vous avez terminé.

**⚠ AVERTISSEMENT:**  
Retirez de doigt de la gâchette lorsque vous n'êtes pas en train d'enfoncer des clous. Ne transportez l'outil que par la poignée.

**⚠ AVERTISSEMENT:**  
Il faut permettre le rebond de l'outil loin de l'ouvrage. N'enfoncez pas un clou au-dessus d'un autre clou.

**⚠ AVERTISSEMENT:**  
Durant l'utilisation normale de l'outil, un recul se produit lorsqu'un clou est planté. Ce recul est normal. Ne pas essayer de l'empêcher en maintenant l'outil contre la pièce à clouer. Cela pourrait causer l'éjection d'un second clou. Le non respect de cette mise en garde peut entraîner des blessures graves.

**⚠ AVERTISSEMENT:**  
Apprenez toujours le fonctionnement d'un outil avant de l'utiliser. Ne pas connaître son fonctionnement pourrait entraîner mort d'homme ou des blessures graves.

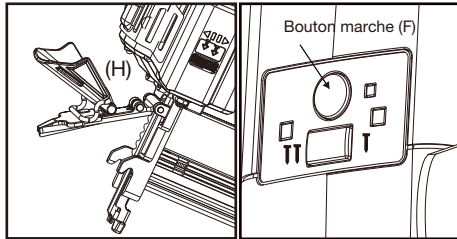
**⚠ AVERTISSEMENT:**  
Tout outil défectueux ne doit pas être utilisé. N'actionnez pas l'outil avant de l'avoir fermement appuyé contre la surface de travail.



## DÉGAGER LES BLOCAGES

Parfois, une attache se coince dans le mécanisme de déclenchement de l'outil, rendant celui-ci inutilisable. Pour retirer une attache coincée, suivez les étapes ci-dessous.

1. Retirez la batterie.
2. Retirez la bande de fixation du magasin.
3. Abaissez le loquet de blocage (H) et retirez-le de l'outil.
4. Utilisez des pinces ou un tournevis pour dégager l'attache coincée.
5. Fermez le loquet de bourrage.
6. Installez la batterie.
7. Rechargez l'outil avec des attaches. Appuyez sur le bouton d'alimentation (F) pour allumer l'outil.



## BATTERIE

Les batteries utilisées dans le bloc d'alimentation sont conçues pour une longue vie utile, sans problèmes. Toutefois, comme toutes les batteries, elles finiront par s'épuiser. Ne pas démonter la batterie ou essayer de remplacer la batterie. La manipulation de ces batteries, en particulier si l'on porte des bagues ou autres bijoux, peut causer des brûlures graves. Pour obtenir une vie utile maximum des batteries nous recommandons de:

- Retirer la batterie du chargeur dès qu'il est complètement chargé et prêt à l'emploi.
- Remiser la batterie dans un local où la température est inférieure à 27°C (80°F) et à l'abri de l'humidité.
- Remiser les blocs de batterie 30%-50% chargés.
- Tous les six mois de remisage, charger normalement la batterie.

## RETRAIT ET PRÉPARATION DU BATTERIES POUR LE RECYCLAGE

Pour préserver les ressources naturelles, les bloc-piles doivent être recyclées ou éliminées selon une méthode appropriée. Ce produit utilise des batteries au lithium-ion. Les réglementations locales ou gouvernementales peuvent interdire de jeter la batterie au lithium-ion dans les ordures ménagères. Consulter les autorités locales compétentes pour les options de recyclage et/ou l'élimination. Consultez votre autorité locale de gestion des déchets.

## ENTRETIEN

### NETTOYAGE DU CLOUS CANAL

Des problèmes avec l'enfoncement de clous ou le cycle des clous lors de l'enfoncement peuvent être causés par des résidus de colle provenant des bandes de clous. Dans ce cas, nettoyez la zone autour du mécanisme d'entraînement.

- Retirez la batterie de l'outil.
- Faites glisser le couvercle du magasin vers le bas pour retirer les clous et exposer le canal à clous.
- Appliquez une petite quantité d'huile à l'outil à air sur un chiffon propre et essuyez le canal à clous, jusqu'à ce que toutes les traces de colle soient éliminées.
- Réinstallez les clous dans le magasin et fermez son couvercle.

### FONCTIONNEMENT PAR TEMPS FROID

Lorsque vous utilisez l'outil à des températures au-dessous de 0 °C :

1. Avant d'utiliser l'outil, tenez-le au chaud autant que possible.
2. Appuyez sur la gâchette cinq à six fois sur une pièce de matériel qui ne servira pas.

## GARANTIE

### GARANTIES DES PRODUITS PGP INC. Garantie de 1 An Pour Outil Professionnel

La garantie limitée pour outil Freeman s'applique exclusivement à l'acheteur original du produit Freeman, commence à la date d'achat et exclut les pièces susceptibles de s'user. Pendant la période de garantie, Prime Global Products, Inc. (PGP) garantit expressément que le produit Freeman est exempt de défaut de matériaux et de fabrication, sous réserve des exceptions et limitations contenues dans les présentes. PGP pourra à son gré, réparer, remplacer, ou offrir un remboursement complet pour un produit Freeman présentant un défaut de matériaux ou de fabrication.

UN REÇU D'ACHAT DATÉ OU UNE PREUVE D'ACHAT DE L'ACHETEUR AU DÉTAIL ORIGINAL EST REQUIS POUR FAIRE UNE RÉCLAMATION DE GARANTIE. L'enregistrement de la garantie est également nécessaire et peut être fait par notre enregistrement de produits en ligne au [www.freemantools.com](http://www.freemantools.com). Sélectionnez l'onglet SOUTIEN, sélectionnez l'onglet ENREGISTREMENT DU PRODUIT. Pour procéder à une réclamation de garantie, l'acheteur original doit retourner clés à chocs Freeman, port payé et assuré, avec preuve d'achat à PGP ou l'un de ses centres de service autorisés. Pour toute question, veuillez composer le 1-888-669-5672. Aucuns frais, autres que les frais de poste et d'assurance, ne seront exigés pour les réparations couvertes par cette

### Exclusions de la garantie.

Ces garanties ne sont pas applicables lorsque:

- Des réparations ou modifications ont été apportées, ou tentées, par un tiers, et/ou une utilisation de pièces ou d'accessoires non autorisés ou non conformes a eu lieu. Des réparations sont nécessaires en raison de l'usure normale.
- La batterie pneumatique a fait l'objet d'abus, a été utilisée de façon non appropriée, incorrectement entretenue ou maniée, incluant: l'incapacité à utiliser de l'air comprimé qui soit propre, sec et régulé à la pression recommandée; les accidents causés par l'utilisation du produit après une défaillance partielle.
- Le produit Freeman est utilisé à des fins commerciales pour les chaînes de montage ou les lignes de production. Le produit Freeman est destiné à un usage personnel et ces garanties ne couvrent pas de telles utilisations commerciales.

AUCUNE GARANTIE, VERBALE OU ÉCRITE, EXPLICITE OU IMPLICITE, AUTRE QUE LES GARANTIES INDIQUÉES CI-DESSUS N'EST FAITE EN CE QUI CONCERNE CE PRODUIT FREEMAN. TOUTE GARANTIE IMPLICITE SERA LIMITÉE À LA PÉRIODE DE GARANTIE DÉFINIE CI-DESSUS. CERTAINES JURIDICTIONS NE PERMETTENT PAS LA LIMITATION DE LA DURÉE D'UNE GARANTIE IMPLICITE, AUQUEL CAS LES CLAUSES CI-DESSUS NE VOUS CONCERNENT PEUT-ÊTRE PAS. VOS RECOURS SONT UNIQUEMENT ET EXCLUSIVEMENT COMME INDIQUÉS CI-DESSUS. PGP NE SERA EN AUCUN CAS RESPONSABLE DES DOMMAGES DIRECTS, INDIRECTS, CONSÉCUTIFS OU ACCESSOIRES. CERTAINES JURIDICTIONS NE PERMETTANT PAS L'EXCLUSION OU LA LIMITATION DES DOMMAGES DIRECTS OU INDIRECTS, CES LIMITATIONS OU EXCLUSIONS PEUVENT NE PAS S'APPLIQUER À VOUS. EN AUCUN CAS, QUE CE SOIT EN RAISON D'UNE RUPTURE DE CONTRAT, LA VIOLATION D'UNE GARANTIE, UN DÉLIT CIVIL (Y COMPRIS LA NÉGLIGENCE) OU AUTRE, LA RESPONSABILITÉ DE PGP NE DEVRA EXCÉDER LE PRIX DU PRODUIT CONCERNÉ PAR LA RÉCLAMATION OU LA RESPONSABILITÉ. TOUTE RESPONSABILITÉ RELIÉE À L'UTILISATION DE CE PRODUIT SE TERMINE À L'EXPIRATION DE LA PÉRIODE DE GARANTIE SPÉCIFIÉE CI-DESSUS. AUCUN EMPLOYÉ OU REPRÉSENTANT DE PGP, OU TOUT DISTRIBUTEUR OU VENDEUR N'EST AUTORISÉ À PROCÉDER À TOUT CHANGEMENT OU MODIFICATION DE LA PRÉSENTE GARANTIE.

Ces garanties vous accordent des droits légaux spécifiques. Vous pouvez également avoir d'autres droits qui varient d'une juridiction à l'autre.