



**Count on it.**

**Parts Catalog**

**Power Max<sup>®</sup> 824 OE  
Snowthrower**

Model No. 37798—Serial No. 40000000 and Up



# Ordering Replacement Parts

To order replacement parts, please supply the part number, the quantity, and the description of each part desired.

## Understanding Reference Numbers

Each identified part in an illustration has a reference number. The reference number for a part also appears in the parts list, along with other information about the part.

This catalog uses two special reference number formats, one to indicate parts in a service assembly and another to indicate the quantity of a given part in an illustration.

## Service Assembly Reference Numbers

Parts in service assemblies have reference numbers in the form a:b. The a represents the reference number of the entire service assembly and the b represents a sequential number unique to each part within the service assembly.

For example, a wheel assembly might be identified by reference number 6, the tire by 6:1, the valve by 6:2, and the wheel by 6:3. When you order the assembly identified by reference number 6, you receive all parts identified by reference numbers 6:1, 6:2, and 6:3. However, you may also order any part individually. Reference numbers of this type appear in illustration and in parts lists.

## Reference Numbers Indicating Quantity

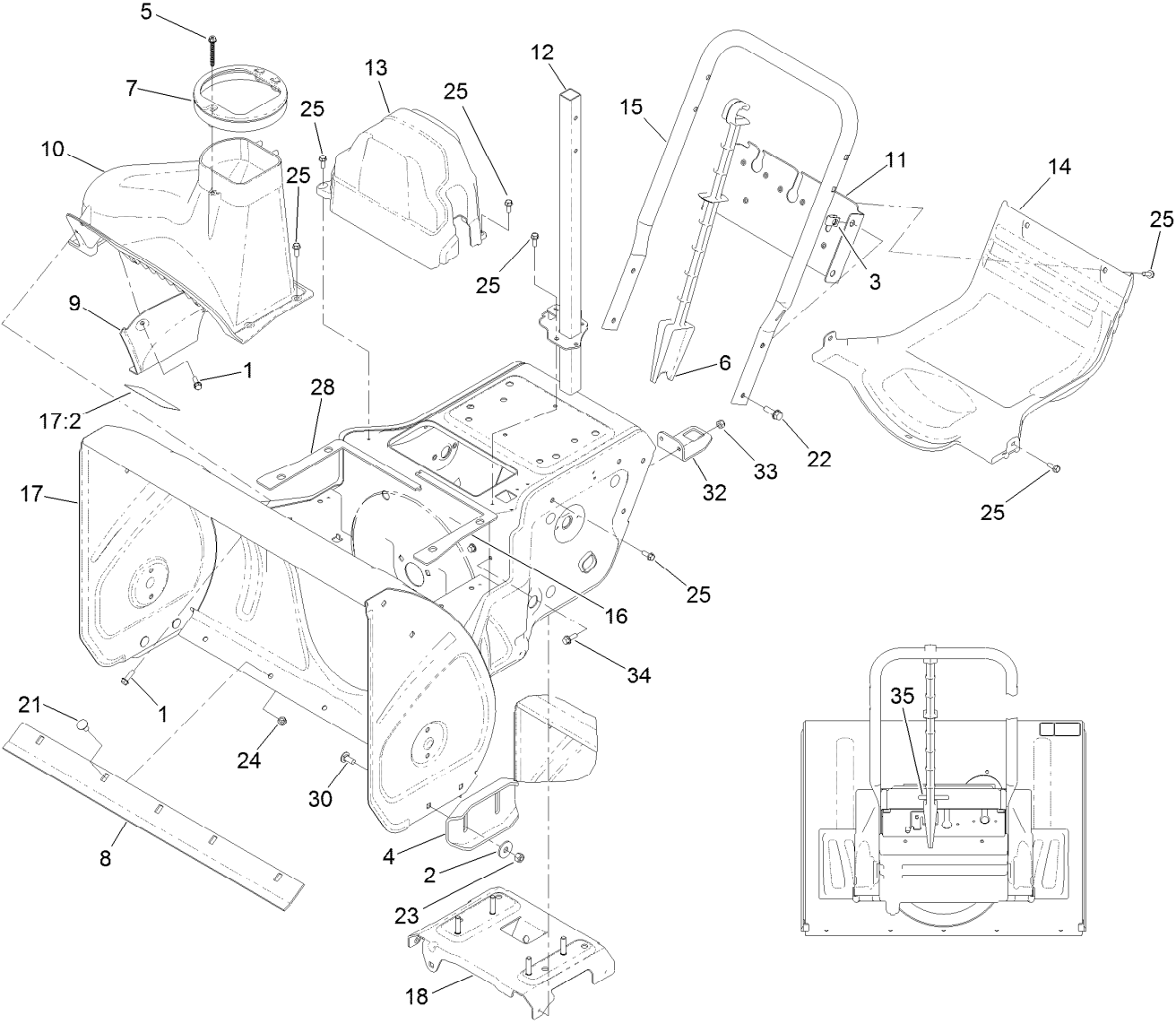
In an illustration, if a reference number indicates more than one part, the reference number has the form nX y. The n represents the quantity of the part, the X is the multiplication symbol, and the y represents the reference number.

For example, in an illustration, the reference number 2X 37 means that two of the parts identified by reference number 37 are indicated.

# Contents

Main Frame and Auger Housing Assembly .....	4
Pulley and Bellcrank Assembly .....	6
Impeller Drive Assembly .....	8
Drive Assembly .....	10
Gearbox, Auger and Impeller Assembly .....	12
24 Inch Auger Gearcase Assembly No. 120-3859 .....	14
Impeller Assembly .....	16
Engine Assembly .....	18
Fuel System and Carburetor Assembly .....	20
Intake and Exhaust Assembly .....	22
Ignition and Electrical Assembly .....	24
Crankcase Assembly .....	26
Governor Assembly .....	28
Piston and Head Assembly .....	30
Blower Housing and Shrouds Assembly .....	32
Engine Decal Assembly .....	34
Chute Assembly .....	36
Lever Chute Control Assembly .....	38
Handle Assembly .....	40
Control Assembly .....	42
Lever Chute Control Assembly .....	44

# Main Frame and Auger Housing Assembly



## Main Frame and Auger Housing Assembly (continued)

<i>Ref.</i>	<i>Part Number</i>	<i>Qty.</i>	<i>Description</i>	<i>Ref.</i>	<i>Part Number</i>	<i>Qty.</i>	<i>Description</i>
1	46-8091	6	Screw-HWH	16	120-7181	1	Seal-Housing, LH
2	52-2861	4	Washer	17	131-6468	1	Frame
3	94-2413	4	Nut-U	17:2	121-6817	1	Decal-Danger, Auger
4	106-4588-01	2	Skid	18	136-7187	1	Brace-Frame
5	114-3751	1	Screw-HWH, Plastite	21	3230-18	5	Screw-CARR
6	121-6833	1	Stick-Cleanout	22	3234-29	4	Screw-HHF
7	138-3608	1	Guide-Chute	23	3296-29	4	Nut-Lock, NI
8	119-7601-01	1	Scraper-24 Inch	24	3296-47	5	Nut-Lock, NI
9	120-7158-01	1	Cover-Liner	25	32144-85	17	Screw-HWH
10	120-7159	1	Cover	28	121-6841	1	Seal-Housing, RH
11	120-7161-01	1	Brace-Frame	30	3230-23	4	Screw-CARR
12	137-3412-03	1	Support-Chute	32	137-3410-03	1	Bracket-Post, Chute
13	120-7177	1	Cover-Belt	33	120-9678	2	Screw-HHF
14	120-7178	1	Cover-Lower	34	137-3094	2	Nut-Hex
15	120-7179-03	1	Handle-Lower	35	133-8061	1	Decal-Warning

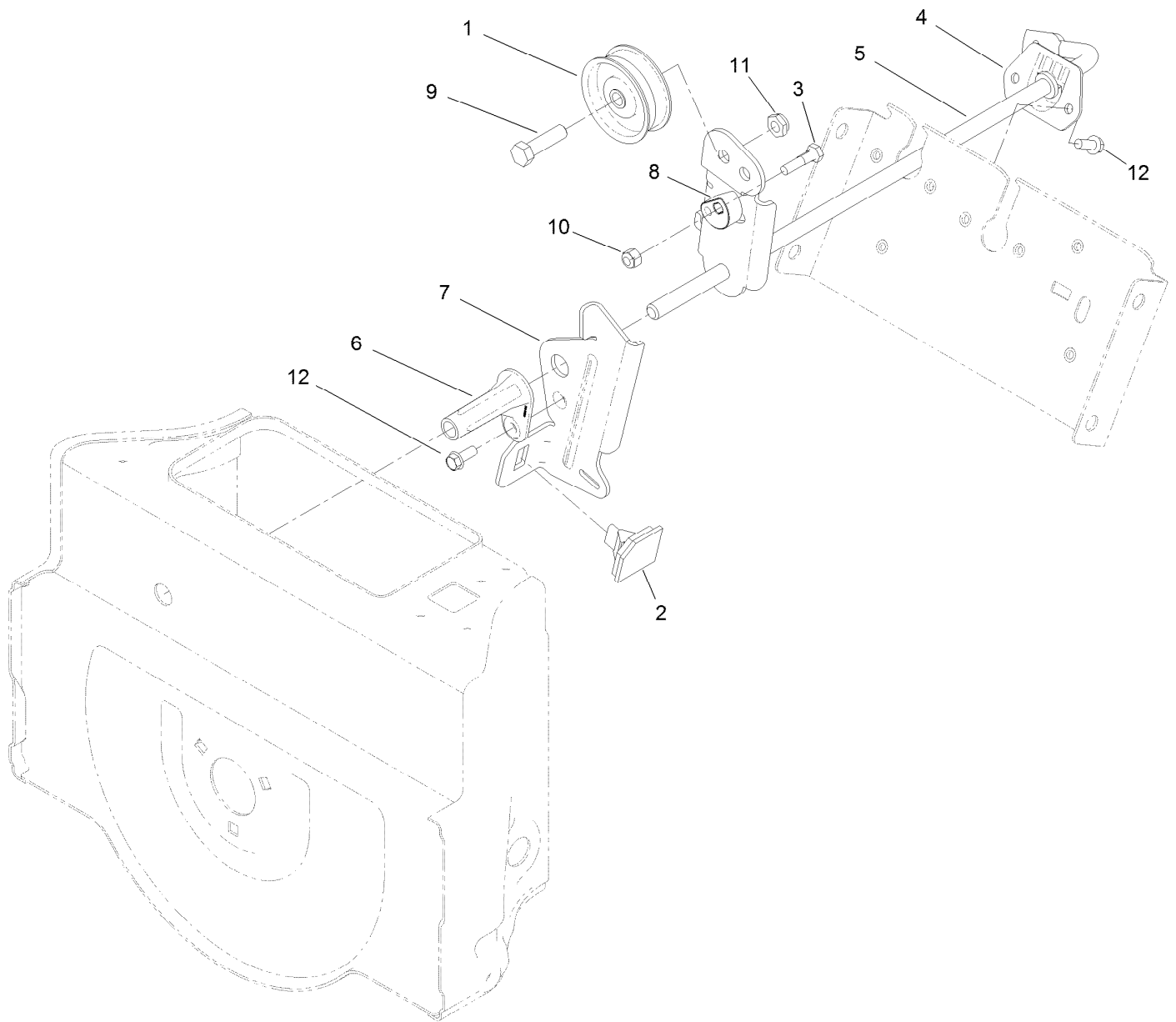
# Pulley and Bellcrank Assembly



## Pulley and Bellcrank Assembly (continued)

<i>Ref.</i>	<i>Part Number</i>	<i>Qty.</i>	<i>Description</i>	<i>Ref.</i>	<i>Part Number</i>	<i>Qty.</i>	<i>Description</i>
1	3-4244	1	Pulley-Idler	15	120-7165-03	1	Bracket-Bellcrank
2	92-9698	1	Screw-Shoulder	16	136-7155	1	Link-Drive
3	38-7820	2	Bearing-Ball	17	120-9271	2	Bracket-Anchor, Spring
4	25-5640	1	Washer	18	136-7159	1	Arm-Idler, Traction
5	117-7711	1	Bushing-Idler	19	120-9275	1	Spring-Extension
6	119-7645	1	Plate-Wheel, Friction	20	256-257	2	Bushing-Nyliner
7	136-7152	1	Traction Pulley ASM	21	323-29	1	Screw-HH
8	136-7124	1	Retainer-Bearing	22	3230-10	1	Bolt-CARR
9	119-7670-03	1	Bellcrank-Drive	23	3296-29	1	Nut-Lock, NI
10	136-7153	1	Spring-Extension	24	3296-59	1	Nut-Lock, NI
11	119-7679	1	Bracket-Plate, Traction	25	3296-73	1	Nut-Lock, NI
12	120-3883	1	Spring-Extension	26	32144-85	7	Screw-HWH
13	137-3435	1	Spring-Extension	27	104-8301	1	Nut-HF, NI
14	120-7156	2	Bushing-Plate, Traction	28	3256-24	1	Washer-Flat

# Impeller Drive Assembly

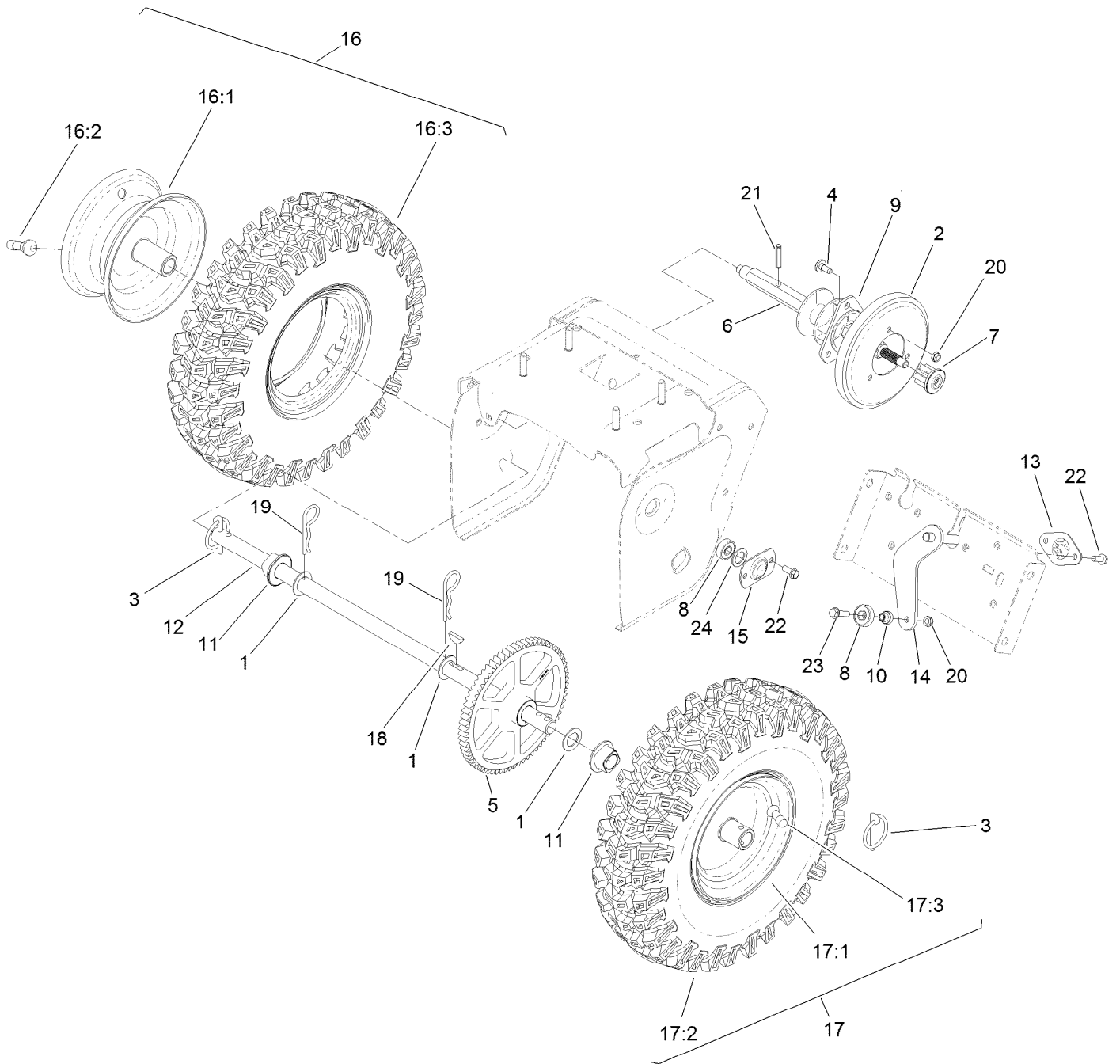




## Impeller Drive Assembly (continued)

<i>Ref.</i>	<i>Part Number</i>	<i>Qty.</i>	<i>Description</i>	<i>Ref.</i>	<i>Part Number</i>	<i>Qty.</i>	<i>Description</i>
1	3-4244	1	Pulley-Idler	7	120-9257-03	1	Arm-Brake, Impeller
2	66-8060	1	Pad-Brake	8	120-9276	1	Eccentric-Brake, Impeller
3	136-8674	1	Bolt-Pivot, Eccentric	9	323-29	1	Screw-HH
4	120-7167	1	Bushing-Rod, Clutch	10	3296-42	1	Nut-Lock, NI
5	120-9254-03	1	Impeller Clutch ASM	11	3296-59	1	Nut-Lock, NI
6	120-9256	1	Pivot-Brake, Impeller	12	32144-85	3	Screw-HWH

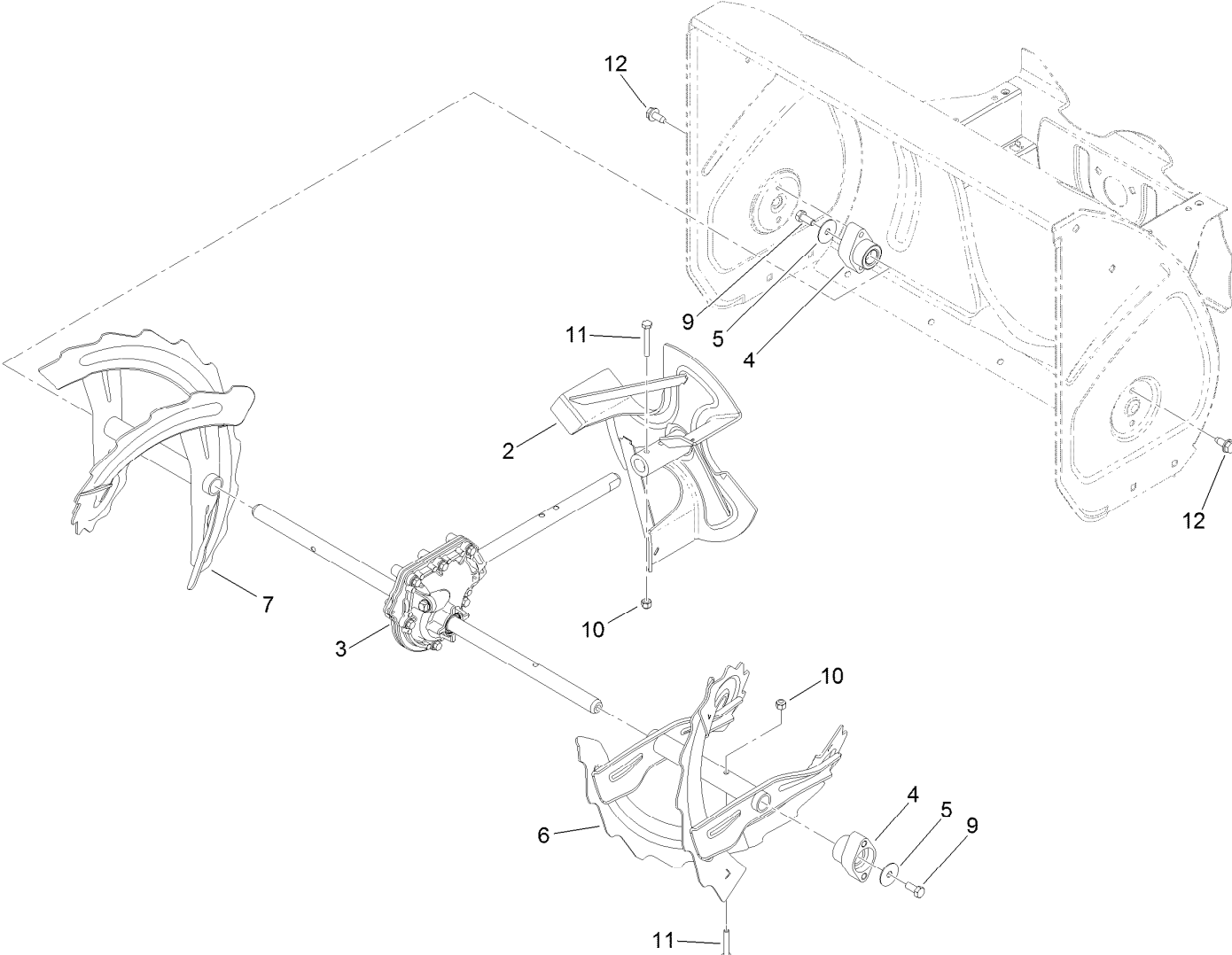
# Drive Assembly



## Drive Assembly (continued)

<i>Ref.</i>	<i>Part Number</i>	<i>Qty.</i>	<i>Description</i>	<i>Ref.</i>	<i>Part Number</i>	<i>Qty.</i>	<i>Description</i>
1	3-8664	3	Washer-Thrust	16	138-3660	1	LH Wheel And Tire ASM
2	119-1567	1	Wheel-Friction	16:1	138-3669	1	Wheel (15X4 Tire)
3	107-3039	2	Klik Pin ASM	16:2	232-27	1	Stem-Valve
4	120-7950	3	Screw-Shoulder	16:3	138-3668	1	Tire
5	119-7613	1	Gear-Axle	17	138-3659	1	RH Wheel And Tire ASM
6	119-7615	1	Shaft-Hex	17:1	138-3669	1	Wheel (15X4 Tire)
7	119-7616	1	Gear-Pinion, 8 Tooth	17:2	232-27	1	Stem-Valve
8	121-6835	3	Bearing-Ball	17:3	138-3668	1	Tire
9	119-7630	1	Trunnion	18	3257-7	1	Key-Woodruff
10	119-7684	1	Spacer-Plate, Shift	19	3290-343	2	Pin-Hair
11	120-7162	2	Bushing-Axle	20	3296-56	4	Nut-Lock, NI
12	120-7180	1	Axle	21	32121-9	1	Pin-Roll, Slotted
13	120-7191	1	Retainer-Plate, Shift	22	32144-85	6	Screw-HWH
14	120-7193-03	1	Shift Plate ASM	23	32144-86	1	Screw-HWHTF
15	136-7158	2	Retainer-Bearing	24	121-6840	2	Washer-Rubber

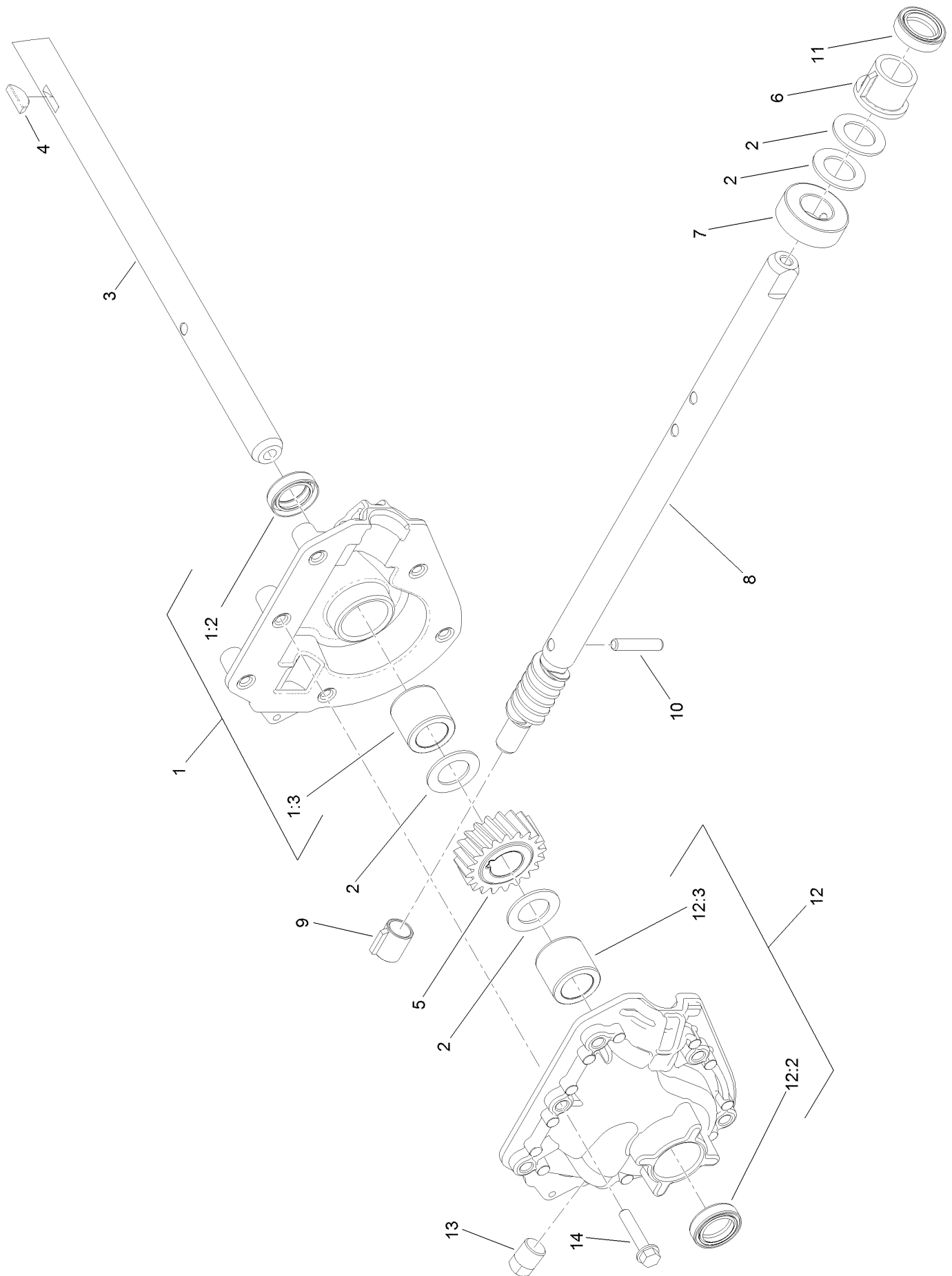
# Gearbox, Auger and Impeller Assembly



## Gearbox, Auger and Impeller Assembly (continued)

<i>Ref.</i>	<i>Part Number</i>	<i>Qty.</i>	<i>Description</i>	<i>Ref.</i>	<i>Part Number</i>	<i>Qty.</i>	<i>Description</i>
2	119-7612-03	1	Impeller ASM	7	120-9290-03	1	RH Auger ASM
3	120-3859	1	Gearcase ASM	9	322-3	2	Screw-HH
4	120-3860	2	Bearing-Augur	10	3296-42	4	Nut-Lock, NI
5	120-3862	2	Washer-Thrust	11	321-10	4	Screw-HH
6	120-9287-03	1	LH Auger ASM	12	32144-70	4	Screw-HWHTF

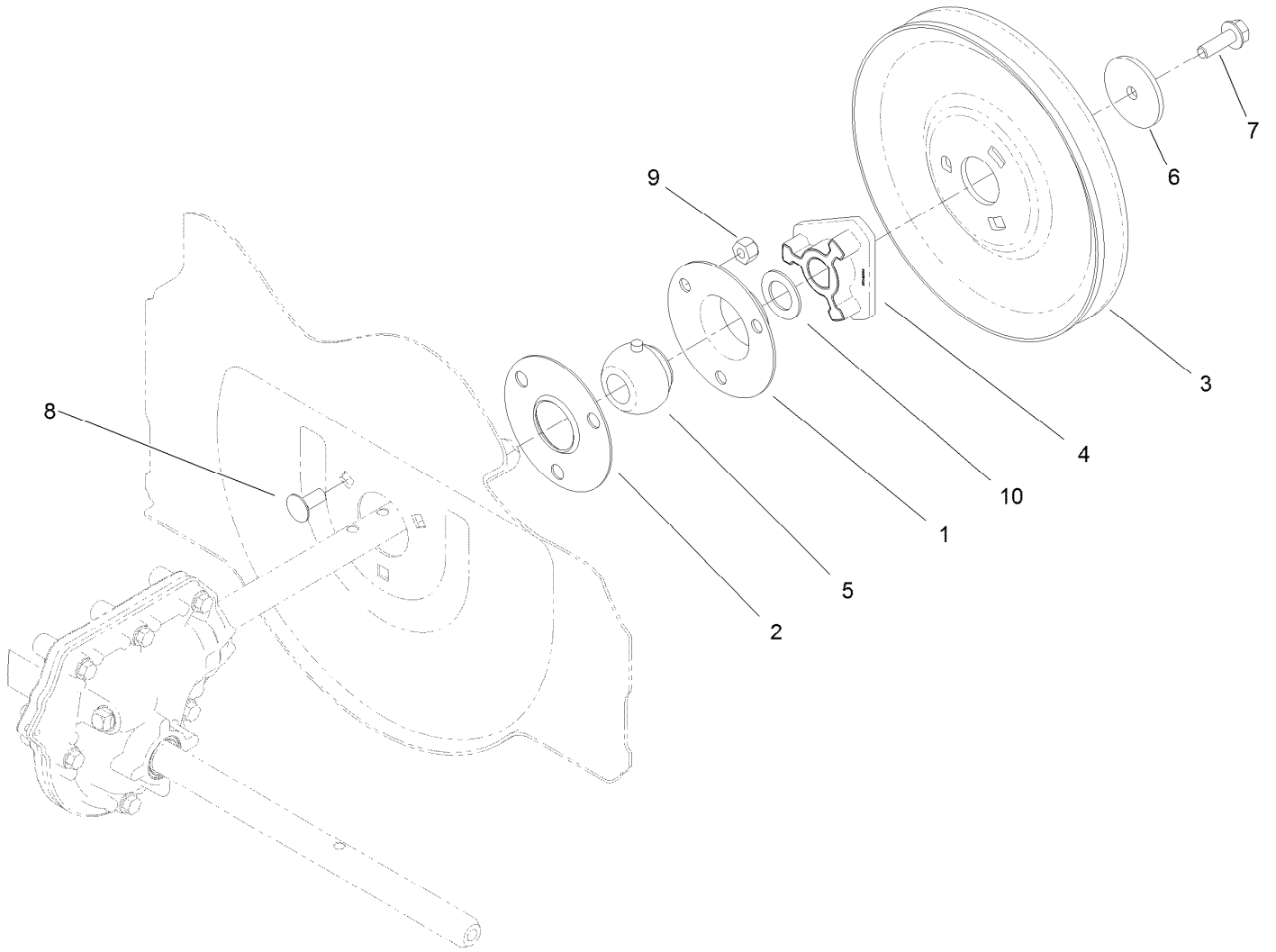
# 24 Inch Auger Gearcase Assembly No. 120-3859



## 24 Inch Auger Gearcase Assembly No. 120-3859 (continued)

<i>Ref.</i>	<i>Part Number</i>	<i>Qty.</i>	<i>Description</i>	<i>Ref.</i>	<i>Part Number</i>	<i>Qty.</i>	<i>Description</i>
1	121-1209	1	RH Auger Gearcase ASM	8	121-1234	1	Shaft-Impeller, Rolled
1:2	121-6634	1	Seal-Shaft	9	62-1150	1	Bushing-Worm
1:3	120-9269	1	Bushing-Sleeve	10	107-8899	1	Pin-Dowel
2	119-7640	4	Washer-Thrust	11	121-6634	1	Seal-Shaft
3	120-3858	1	Shaft-Output, Auger	12	121-1210	1	LH Auger Gearcase ASM
4	3257-5	1	Key-Woodruff	12:2	121-6634	1	Seal-Shaft
5	119-1576	1	Gear-Helical, 20 Tooth	12:3	120-9269	1	Bushing-Sleeve
6	119-7635	1	Bushing-Input	13	121-6832	1	Plug-Pipe, SQH
7	119-7636	1	Collar-Thrust	14	108-4862	6	Screw-HWHTF

# Impeller Assembly

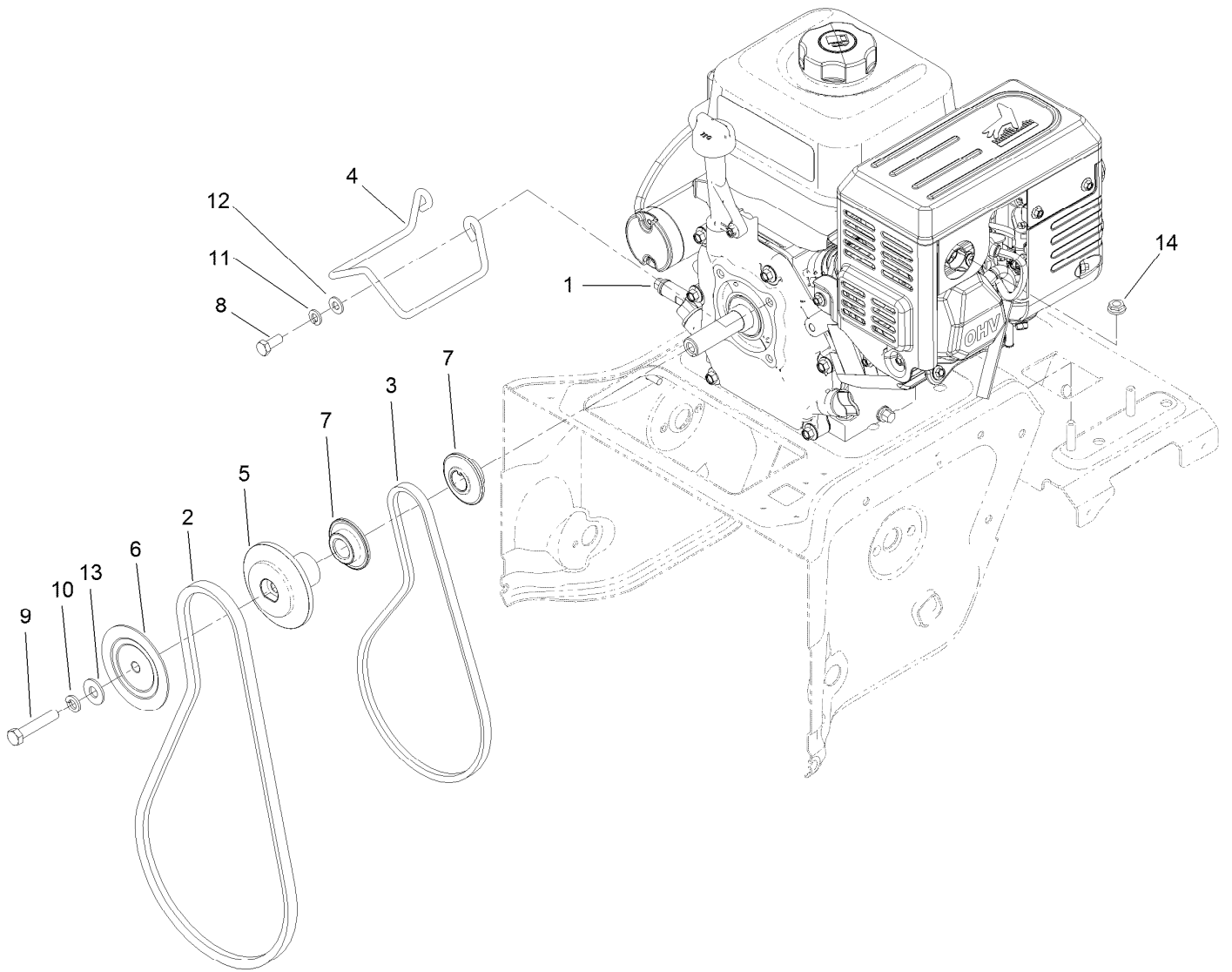




## Impeller Assembly (continued)

<i>Ref.</i>	<i>Part Number</i>	<i>Qty.</i>	<i>Description</i>	<i>Ref.</i>	<i>Part Number</i>	<i>Qty.</i>	<i>Description</i>
1	26-6110	1	Flange-Cup, Bearing	6	121-1230	1	Washer-Plain
2	26-6120	1	Flange-Cup, Bearing	7	115-5142	1	Screw-HHF
3	136-7157	1	Pulley-Impeller	8	3230-23	3	Screw-CARR
4	120-9264	1	Hub-Impeller, Pulley	9	3296-29	3	Nut-Lock, NI
5	120-9272	1	Bearing	10	119-7640	1	Washer-Thrust

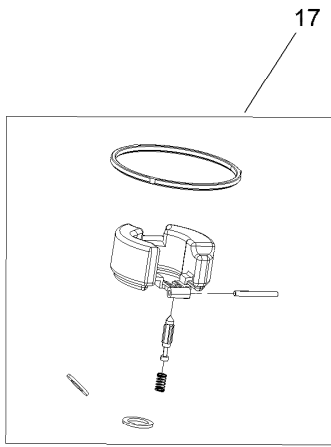
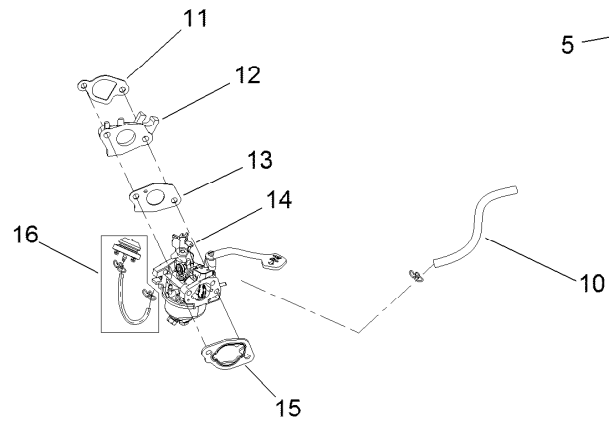
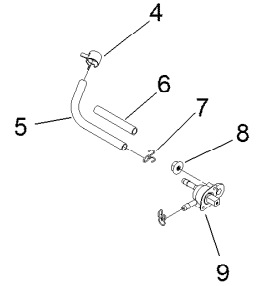
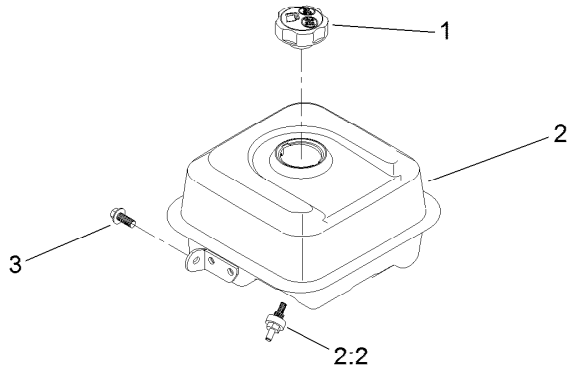
# Engine Assembly



## Engine Assembly (continued)

<i>Ref.</i>	<i>Part Number</i>	<i>Qty.</i>	<i>Description</i>	<i>Ref.</i>	<i>Part Number</i>	<i>Qty.</i>	<i>Description</i>
1	136-7752	1	Engine-G250Fds-1	8	33114-020	2	Screw-HH
2	120-3892	1	Belt-V	9	120-2302	1	Screw-HH
3	120-3893	1	Belt-V	10	3253-21	1	Washer-Lock
4	136-7156	1	Guide-Belt	11	3253-4	2	Washer-Lock
5	120-9283	1	Pulley-Auger, Rear	12	3256-23	2	Washer-Plain
6	120-9284	1	Pulley-Auger, Front	13	3256-4	1	Washer-Flat
7	137-3400	2	Pulley-Engine, Traction	14	32128-20	4	Nut-HF

# Fuel System and Carburetor Assembly

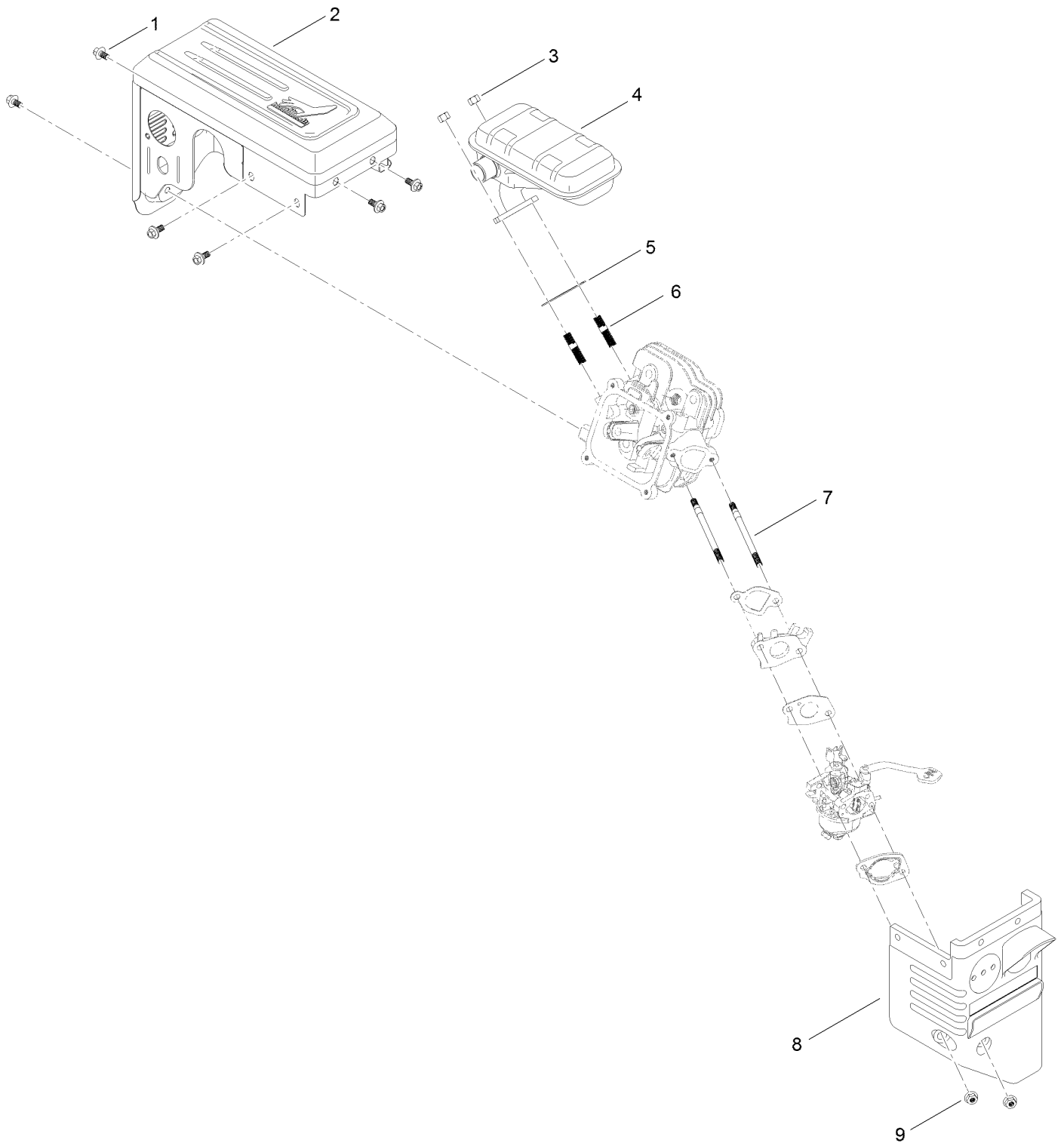


## Fuel System and Carburetor Assembly (continued)

<i>Ref.</i>	<i>Part Number</i>	<i>Qty.</i>	<i>Description</i>	<i>Ref.</i>	<i>Part Number</i>	<i>Qty.</i>	<i>Description</i>
1	133-9823	1	Cap-Fuel	10	127-9489	1	Hose-Fuel
2	133-1553	1	Fuel Tank And Filter ASM	11	133-1531	1	Gasket-Carburetor
2:2	127-9065	1	Filter-Fuel	12	133-1532	1	Insulator-Carburetor
3	121-0294	1	Screw-HHF	13	133-1533	1	Gasket-Carburetor
4	127-9120	1	Clamp-Hose	14	133-1534	1	Carburetor ASM
5	133-1556	1	Hose-Fuel	15	121-0080	1	Gasket-Carburetor
6	133-9997	1	Sleeve-Abrasion	16	127-9079	1	Primer Kit
7	121-0087	3	Clamp-Hose	17	127-9395	1	Internal Carb Service Kit
8	120-4236	1	Nut-Flange	99	133-9937	1	High Altitude Kit ●
9	127-9117	1	Valve-Fuel				

● Not illustrated

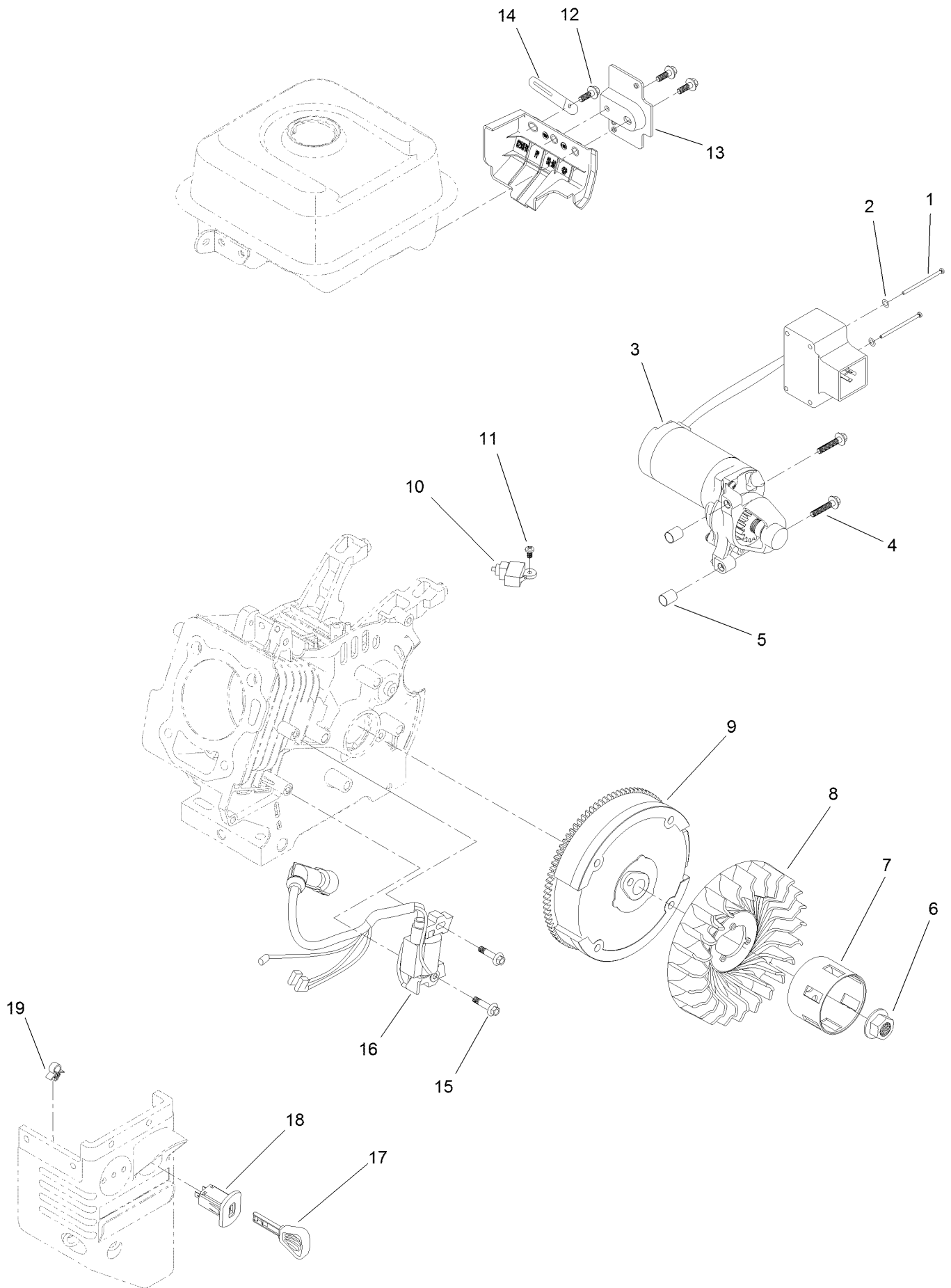
# Intake and Exhaust Assembly



## Intake and Exhaust Assembly (continued)

<i>Ref.</i>	<i>Part Number</i>	<i>Qty.</i>	<i>Description</i>	<i>Ref.</i>	<i>Part Number</i>	<i>Qty.</i>	<i>Description</i>
1	121-0294	6	Screw-HHF	6	121-0464	2	Stud-Exhaust
2	127-9491	1	Muffler Cover ASM	7	121-4112	2	Stud-Intake
3	121-0199	2	Nut-HH	8	127-9112	1	Box-Heater
4	127-9490	1	Muffler ASM	9	121-0308	2	Nut-Flange
5	133-1539	1	Gasket-Exhaust				

# Ignition and Electrical Assembly

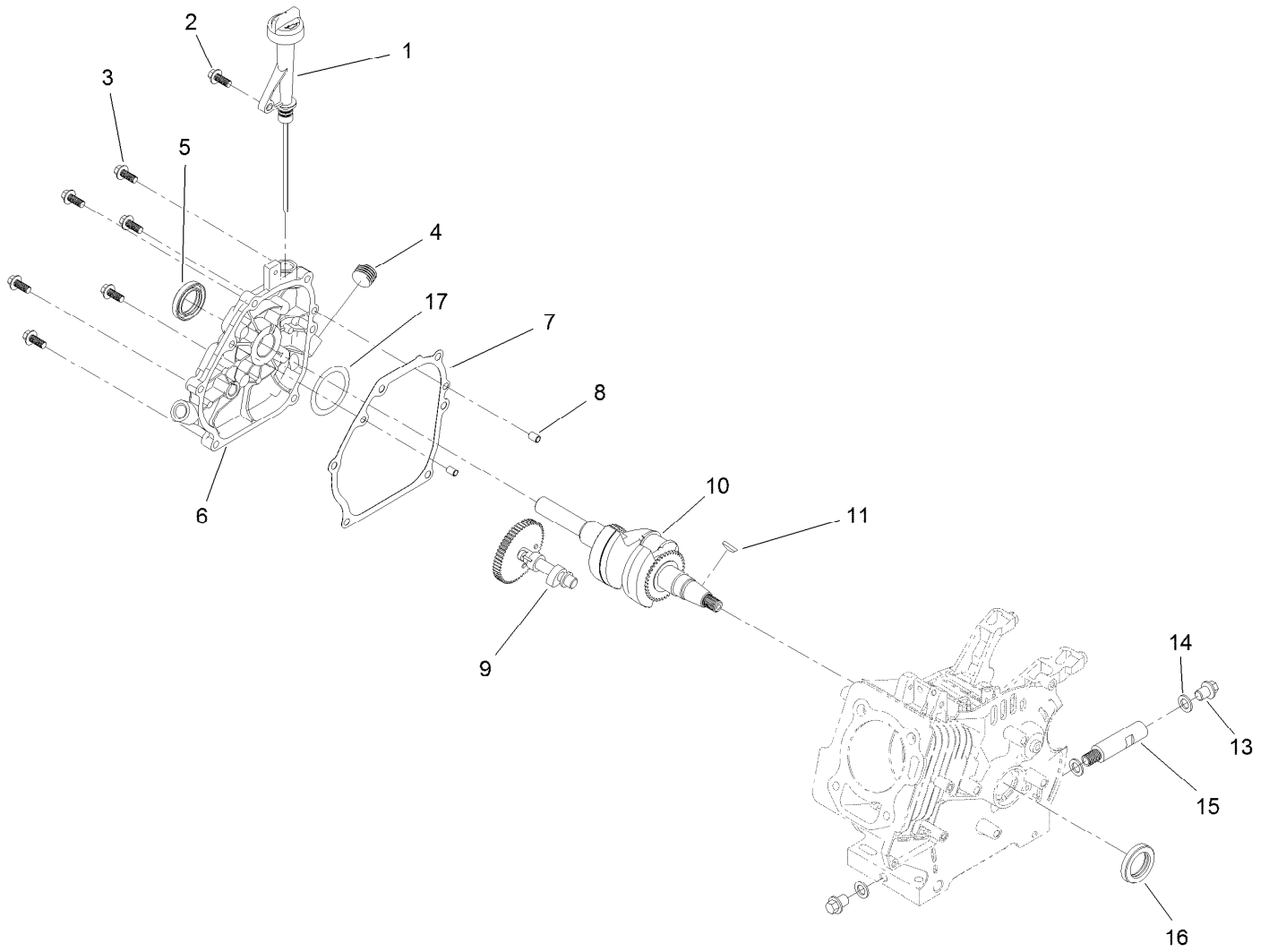




## Ignition and Electrical Assembly (continued)

<i>Ref.</i>	<i>Part Number</i>	<i>Qty.</i>	<i>Description</i>	<i>Ref.</i>	<i>Part Number</i>	<i>Qty.</i>	<i>Description</i>
1	121-0306	2	Screw-Bhp	10	121-0284	1	Switch-Kill, Engine
2	121-0312	2	Washer-Plain	11	120-4461	1	Screw-PPH
3	133-9998	1	Motor-Starter	12	127-9123	3	Screw-HHF
4	133-1546	2	Screw-Flange	13	133-1554	1	Bracket-Switchbox, Starter
5	121-0055	2	Pin-Dowel	14	121-0017	1	Clip-Harness, Wire
6	121-0047	1	Nut-Flange	15	121-0097	2	Screw-HHF
7	133-1527	1	Cup-Starter	16	133-9996	1	Ignition Coil ASM
8	133-1526	1	Fan-Cooling	17	117-7728	1	Key
9	133-1525	1	Flywheel And Ring Gear ASM	18	121-0283	1	Switch-Key
				19	121-0326	1	Clip

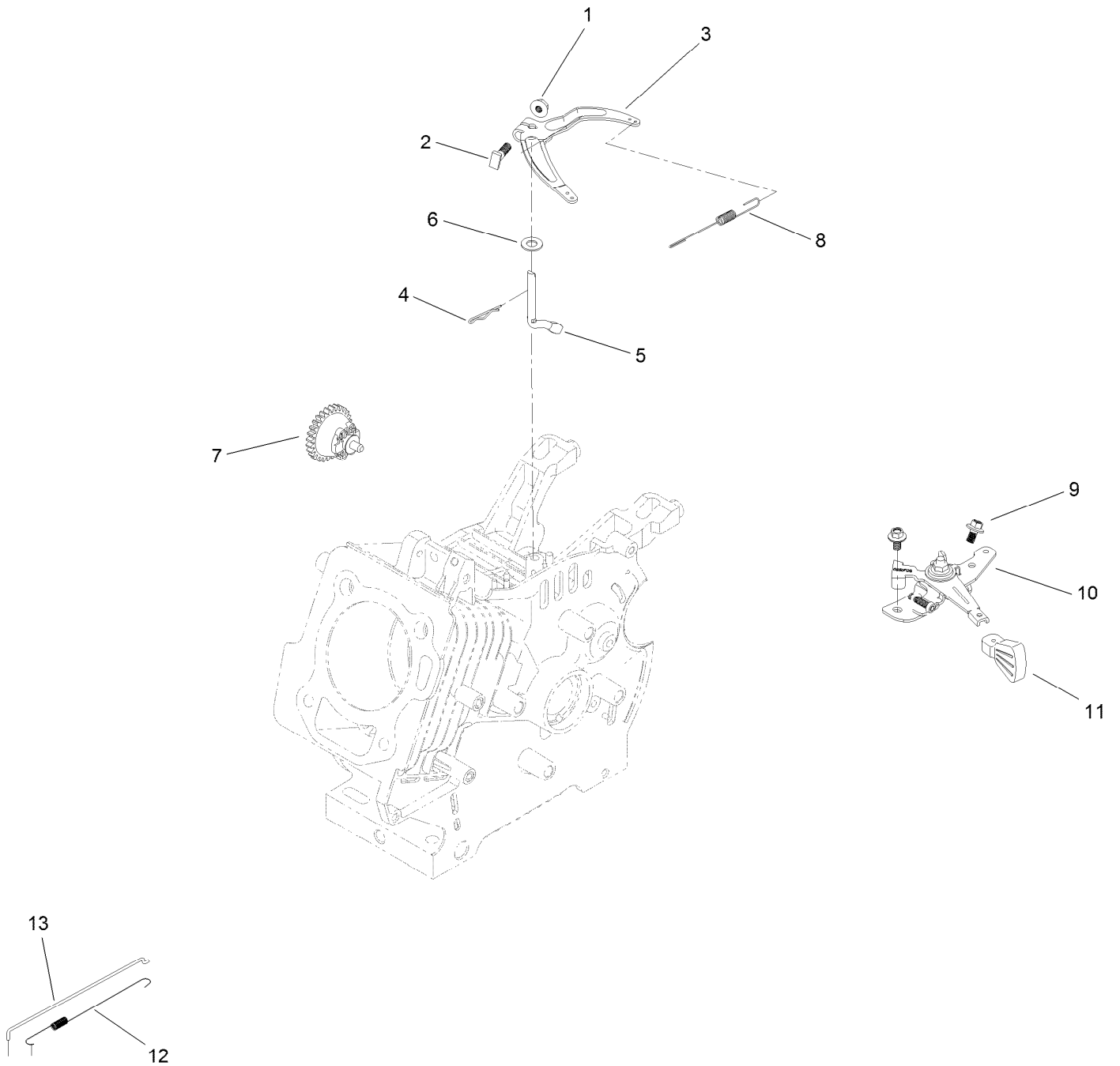
# Crankcase Assembly



## Crankcase Assembly (continued)

<i>Ref.</i>	<i>Part Number</i>	<i>Qty.</i>	<i>Description</i>	<i>Ref.</i>	<i>Part Number</i>	<i>Qty.</i>	<i>Description</i>
1	133-9866	1	Oil Fill Assembly	9	133-9991	1	Camshaft ASM
2	127-9123	1	Screw-HHF	10	127-9495	1	Crankshaft
3	121-4114	6	Screw-HHF	11	120-4320	1	Key-Woodruff
4	133-9805	1	Plug-Drain	13	121-0030	2	Screw-HHF
5	133-1516	1	Seal-Oil	14	121-0048	3	Washer-Plain
6	133-9865	1	Cover-Crankcase	15	127-9104	1	Tube-Drain, Oil
7	127-9493	1	Gasket-Cover, Crankcase	16	133-9864	1	Seal-Oil
8	121-0054	2	Pin-Dowel	17	133-9863	1	Washer-Thrust

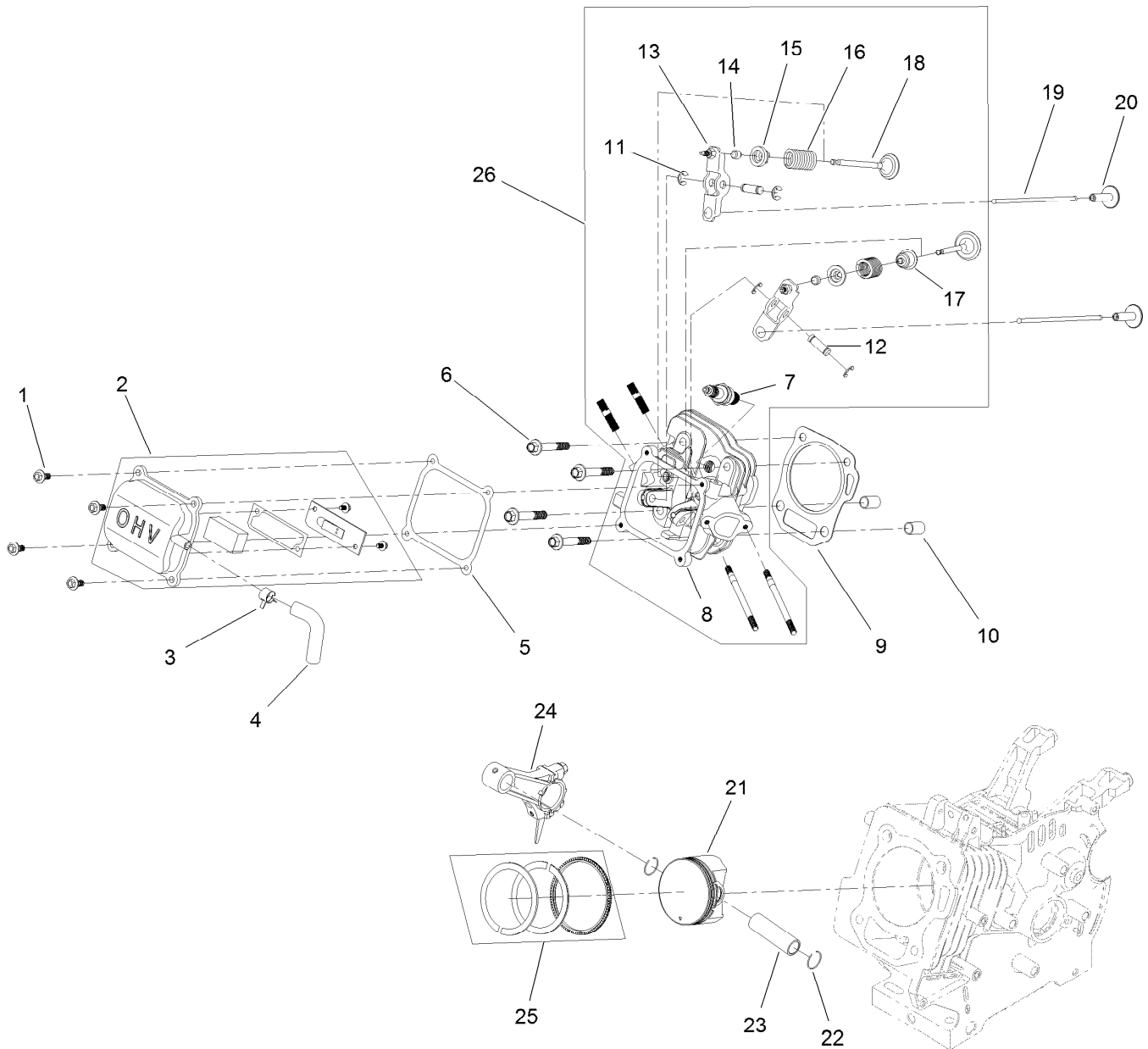
# Governor Assembly



## Governor Assembly (continued)

<i>Ref.</i>	<i>Part Number</i>	<i>Qty.</i>	<i>Description</i>	<i>Ref.</i>	<i>Part Number</i>	<i>Qty.</i>	<i>Description</i>
1	120-4236	1	Nut-Flange	8	127-9483	1	Spring-Governor
2	120-4238	1	Bolt-Arm, Governor	9	121-0116	2	Screw-HHF
3	127-9482	1	Arm-Governor	10	133-1555	1	Throttle Control ASM
4	120-4256	1	Pin-Hair	11	121-0269	1	Knob-Control, Throttle
5	133-9995	1	Shaft-Governor	12	133-1536	1	Spring-Return, Throttle
6	121-0498	1	Washer-Plain	13	133-1535	1	Rod-Governor
7	133-9994	1	Governor Gear ASM				

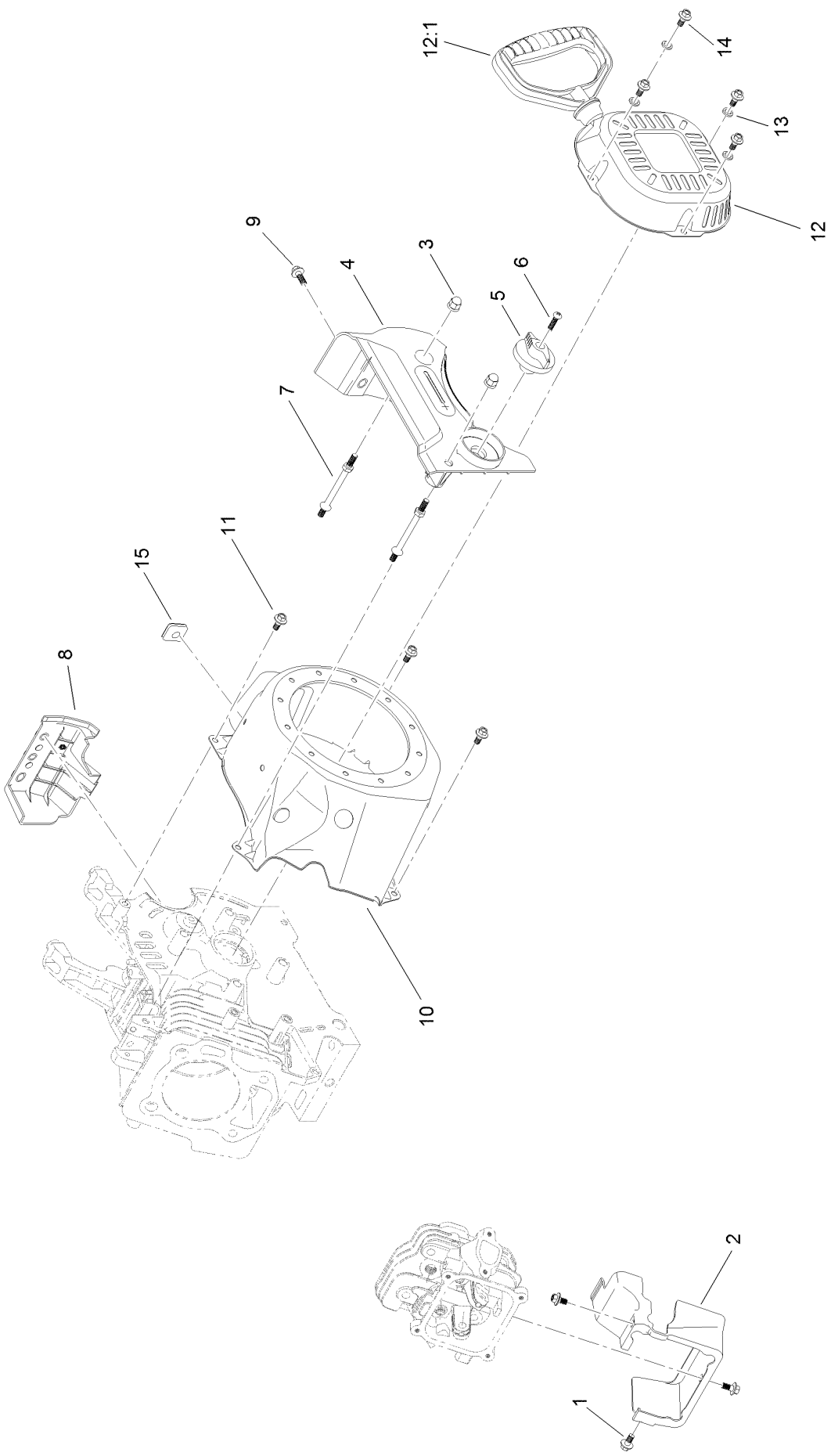
# Piston and Head Assembly



## Piston and Head Assembly (continued)

<i>Ref.</i>	<i>Part Number</i>	<i>Qty.</i>	<i>Description</i>	<i>Ref.</i>	<i>Part Number</i>	<i>Qty.</i>	<i>Description</i>
1	120-4454	4	Screw-HHF	14	121-4116	2	Rotator-Valve
2	133-1500	1	Valve Cover ASM	15	121-4117	2	Retainer-Spring, Valve
3	133-1558	1	Clamp-Hose	16	127-9014	2	Spring-Valve
4	133-9990	1	Tube-Breather	17	121-4202	1	Seal-Stem, Valve
5	133-1507	1	Gasket-Cover, Valve	18	133-1515	1	Set-Valve
6	133-1508	4	Screw-Flange	19	133-1514	2	Rod-Push
7	81-3250	1	Spark Plug	20	127-9015	2	Tappet-Valve
8	133-1509	1	Head-Cylinder	21	133-1522	1	Piston
9	133-1510	1	Gasket-Head	22	121-0313	2	Clip-Pin, Piston
10	120-4200	2	Pin-Dowel	23	121-4128	1	Pin-Piston
11	133-1511	4	E-Clip	24	121-4123	1	Connecting Rod ASM
12	133-1512	2	Pin-Arm, Rocker	25	133-1521	1	Set-Ring, Piston
13	133-1513	2	Rocker Arm ASM	26	133-9867	1	Complete Head ASM

# Blower Housing and Shrouds Assembly

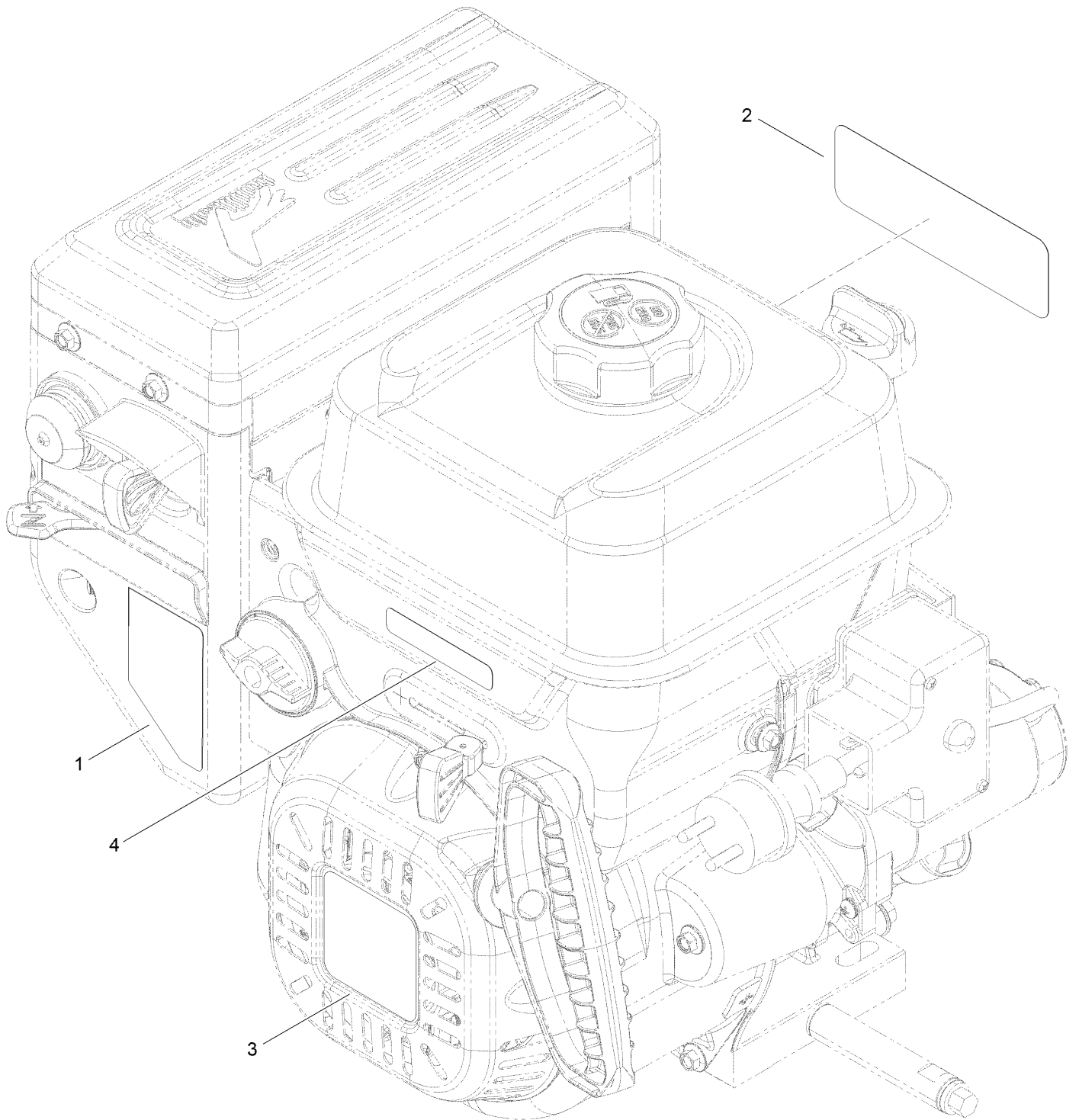




## Blower Housing and Shrouds Assembly (continued)

<i>Ref.</i>	<i>Part Number</i>	<i>Qty.</i>	<i>Description</i>	<i>Ref.</i>	<i>Part Number</i>	<i>Qty.</i>	<i>Description</i>
1	121-0116	3	Screw-HHF	9	127-9123	1	Screw-HHF
2	133-1530	1	Shroud-Head	10	133-1528	1	Shroud-Flywheel
3	127-9383	2	Nut-Acorn	11	121-0294	3	Screw-HHF
4	133-1557	1	Panel-Control, Front	12	127-9487	1	Recoil ASM
5	121-0268	1	Knob-Valve, Fuel	12:1	121-0287	1	Handle-Recoil
6	121-0305	1	Screw-Bhp	13	127-9380	4	Washer-Plain
7	127-9110	2	Stud-Mount	14	127-9031	4	Screw-HHF
8	133-1543	1	Panel-Side, Engine	15	133-1548	1	Grommet-Rubber

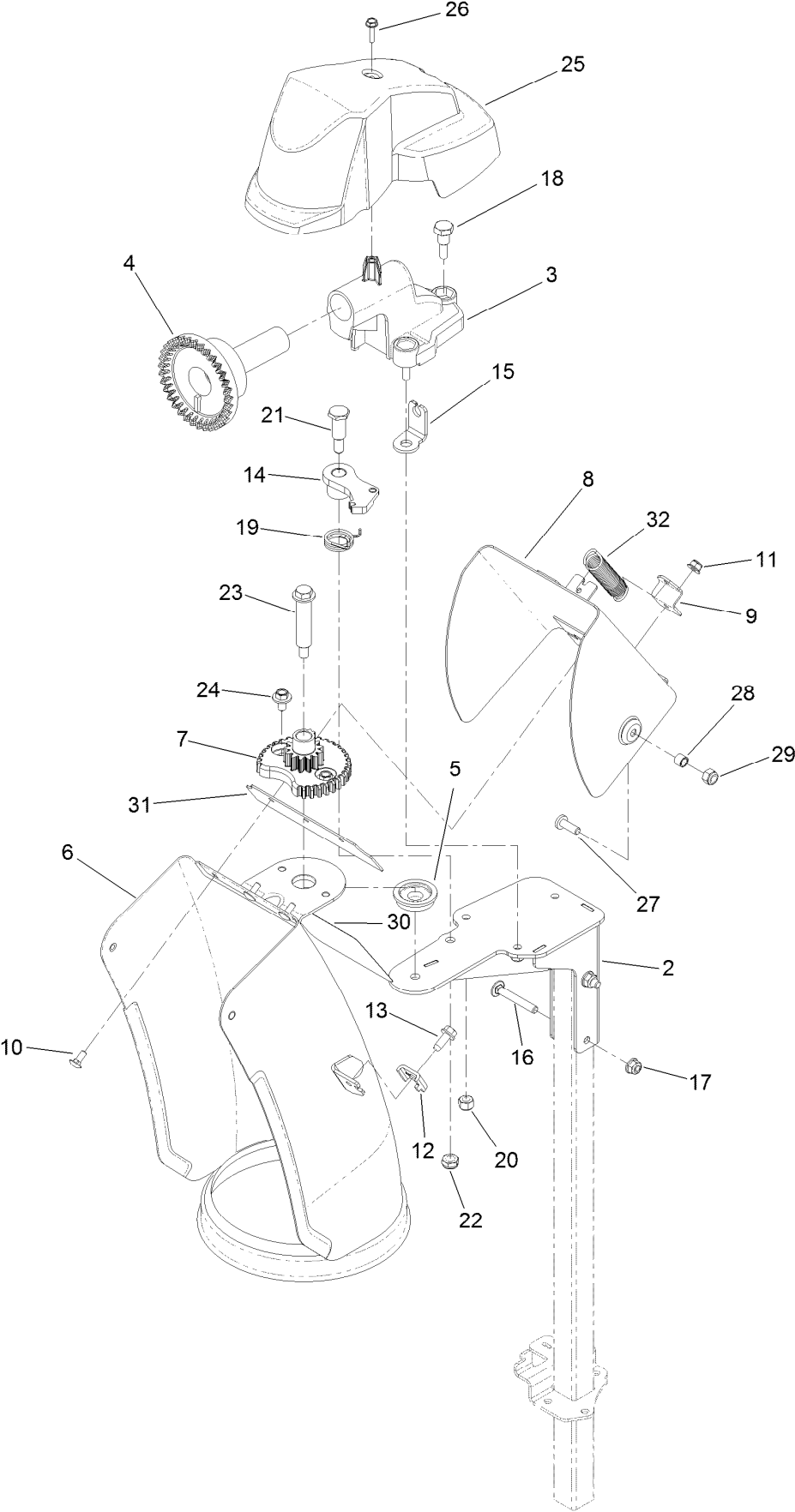
# Engine Decal Assembly



## Engine Decal Assembly (continued)

<i>Ref.</i>	<i>Part Number</i>	<i>Qty.</i>	<i>Description</i>	<i>Ref.</i>	<i>Part Number</i>	<i>Qty.</i>	<i>Description</i>
1	120-9805	1	Decal-Control, Engine	3	131-5912	1	Decal-Recoil, G250
2	131-5911	1	Decal-Engine Series, G250	4	131-6487	1	Decal-Throttle

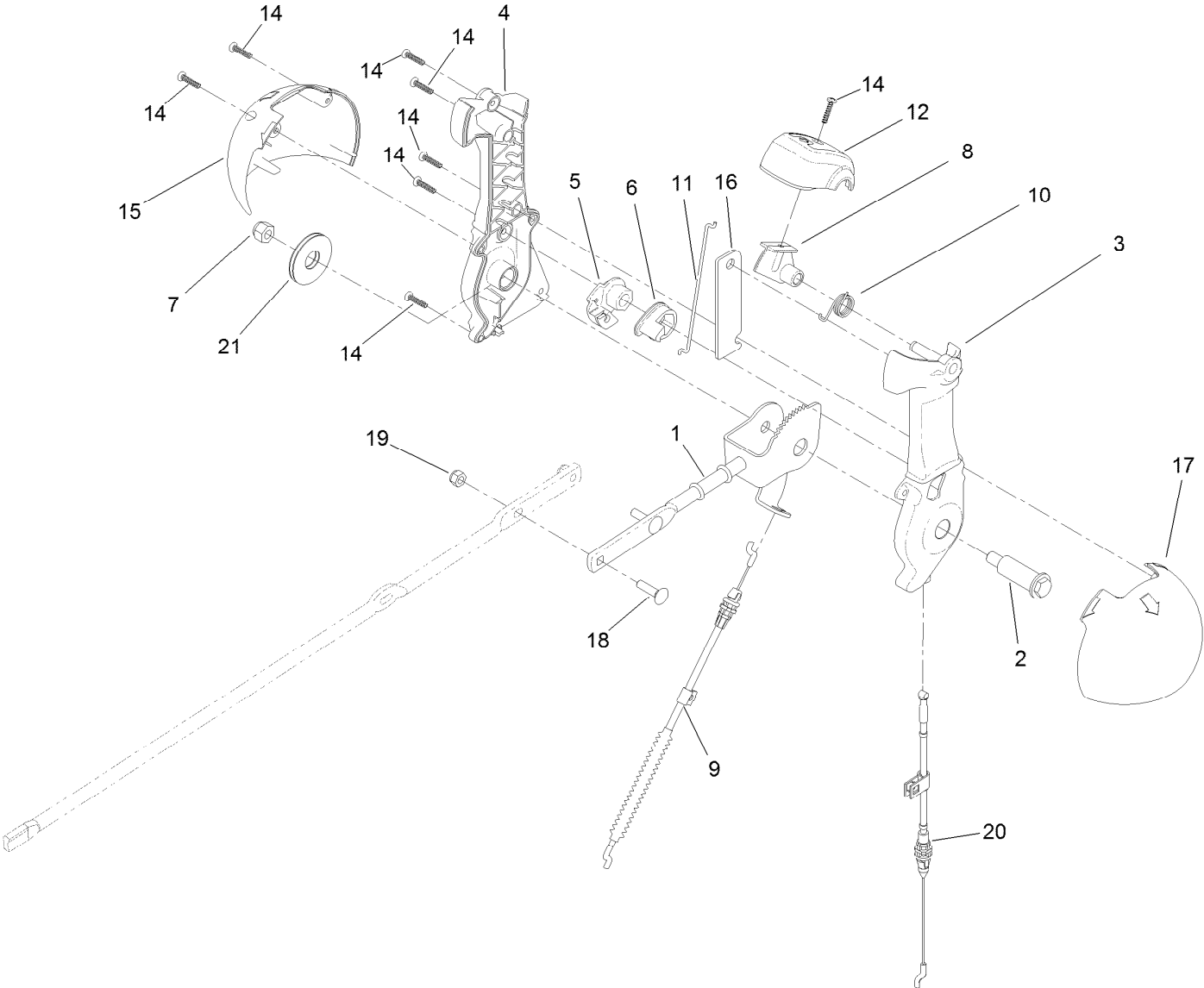
# Chute Assembly



## Chute Assembly (continued)

<i>Ref.</i>	<i>Part Number</i>	<i>Qty.</i>	<i>Description</i>	<i>Ref.</i>	<i>Part Number</i>	<i>Qty.</i>	<i>Description</i>
2	138-3605-03	1	Support-Chute	18	136-7197	3	Screw-Shoulder
3	138-3606	1	Mount-Gear, Face	19	108-7315	1	Spring-Torsion
4	106-4471	1	Gear-Face	20	137-3088	3	Nut-Hex
5	106-4422	1	Spacer-Chute	21	137-3103	1	Screw-Shoulder, HH
6	138-3611-03	1	Chute	22	137-3089	3	Nut-Hex
7	106-4472	1	Gear-Chute	23	136-7199	3	Bolt-Shoulder
8	138-3615-03	1	Deflector	24	46-6810	2	Screw And Washer ASM
9	138-3612	1	Bracket-Spring	25	138-3627	1	Cover-Chute, Gear
10	135-1929	3	Bolt-CARR	26	98-1375	1	Screw-HWH
11	138-0719	3	Nut-HF	27	138-0689	1	Screw-PH
12	136-7191	1	Clamp-Cable	28	138-3678	1	Spacer
13	137-3043	1	Screw-HWH	29	137-3094	1	Nut-Hex
14	106-4476	1	Latch-Chute	30	137-6198	1	Decal-Danger
15	138-3607	1	Anchor-Cable	31	138-3671	1	Gasket-Deflector
16	120-9698	2	Bolt-CARR	32	138-8493	1	Spring-Chute, Upper
17	119-4040	2	Nut-Flange, NI				

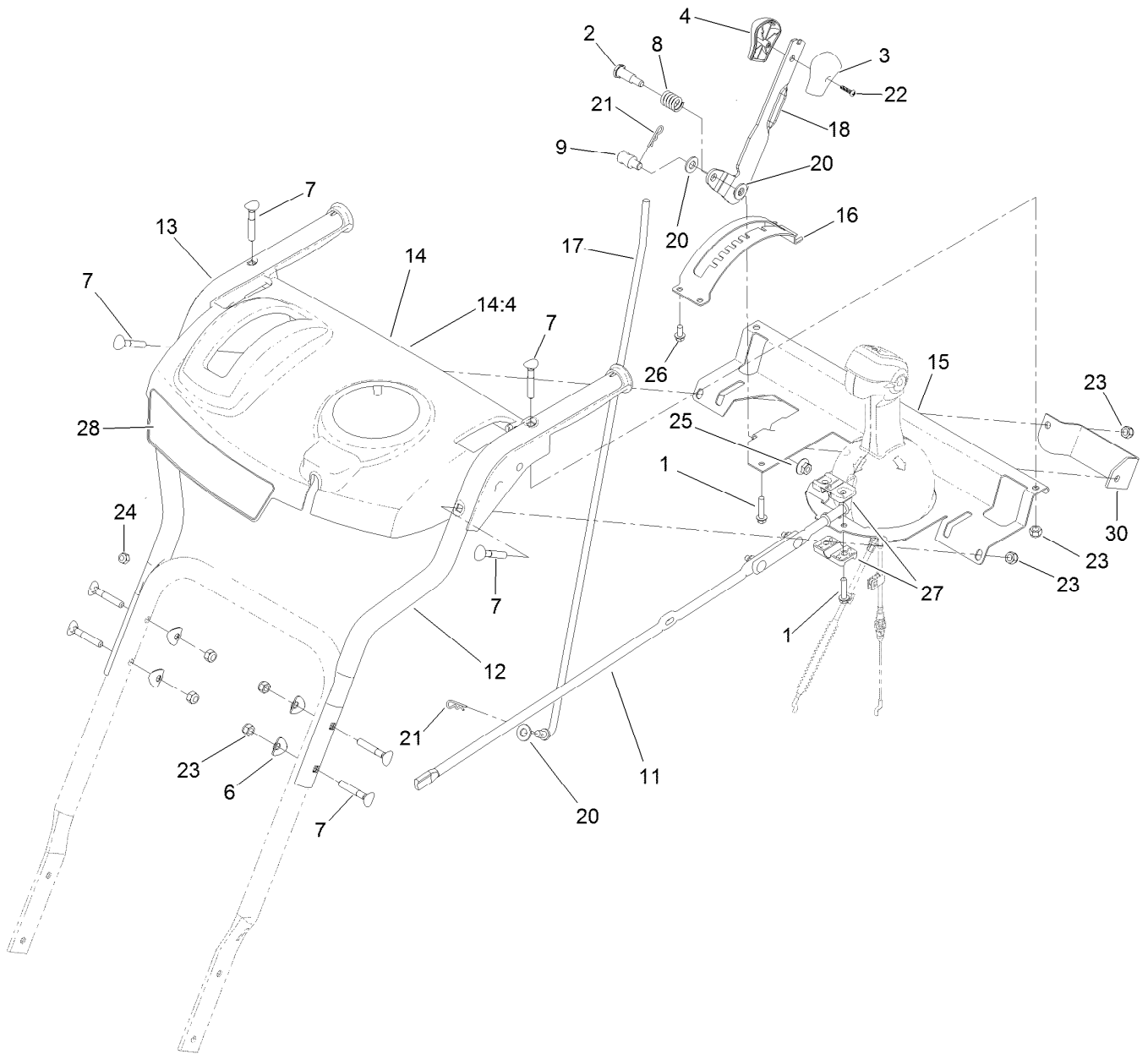
# Lever Chute Control Assembly



## Lever Chute Control Assembly (continued)

<i>Ref.</i>	<i>Part Number</i>	<i>Qty.</i>	<i>Description</i>	<i>Ref.</i>	<i>Part Number</i>	<i>Qty.</i>	<i>Description</i>
1	138-0662	1	Chute Control Rod	11	138-0688	1	Link-Latch
2	138-0659	1	Screw-Shoulder,HWH	12	137-6239	1	Cap-Lever
3	137-6236	1	Lever-Control, Chute (LH)	14	94-4496	8	Screw-PPH
4	137-6235	1	Lever-Control, Chute (RH)	15	136-6677	1	Globe-Quickstick, RH
5	105-9988	1	Lever-Cable, Deflector	16	136-6632	1	Plate-Stiffner
6	106-7310	1	Pawl-Latch	17	136-6678	1	Globe-Quickstick, LH
7	137-3087	1	Nut-Hex	18	137-3056	3	Bolt-CARR
8	137-6238	1	Trigger-Latch	19	137-3094	3	Nut-Hex
9	138-3672	1	Cable-Control, Deflector	20	138-3673	1	Cable-Release, Chute
10	105-9982	1	Spring-Torsion	21	138-0744	1	Washer-Friction, Composite

# Handle Assembly

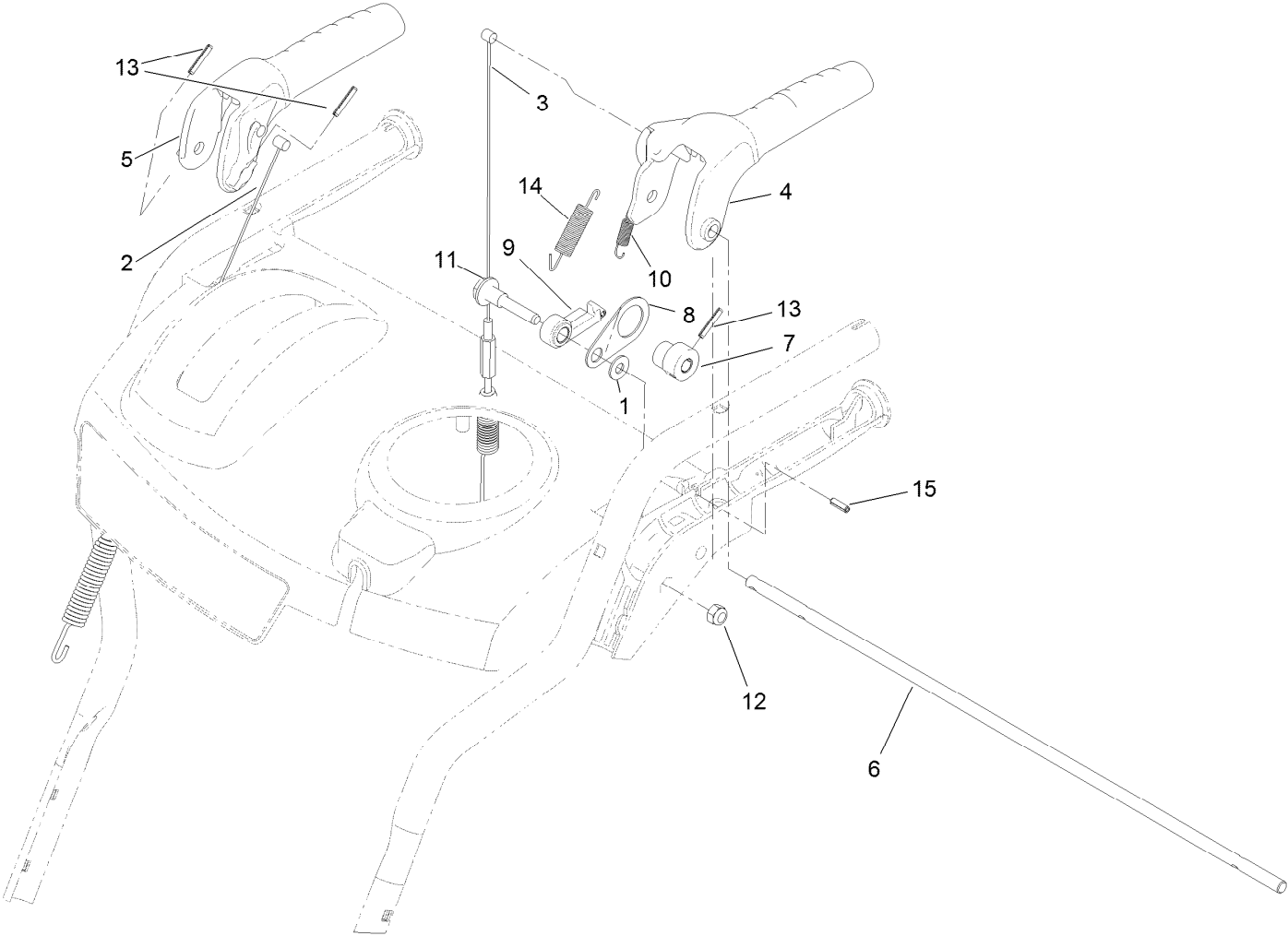




## Handle Assembly (continued)

<i>Ref.</i>	<i>Part Number</i>	<i>Qty.</i>	<i>Description</i>	<i>Ref.</i>	<i>Part Number</i>	<i>Qty.</i>	<i>Description</i>
1	137-3100	3	Screw-Plastite, HWH	16	120-9258-03	1	Mount-Selector, Speed
2	137-3103	1	Screw-Shoulder, HH	17	136-7163	1	Rod-Selector, Gear
3	105-9999	1	Knob-Shift, LH	18	121-1242-03	1	Selector-Speed
4	106-4423	1	Knob-Shift, RH	20	115-1166	3	Washer-Flat
6	137-3009	4	Washer-Cup	21	137-3083	2	Pin-Hair
7	137-3107	8	Screw-Handle	22	94-4496	1	Screw-PPH
8	136-7121	1	Spring-Compression	23	137-3093	8	Nut-Hex
9	136-7193	1	Trunnion-Rod	24	137-3094	2	Nut-Hex
11	138-3635	1	Rod-Chute	25	137-3038	1	Nut-HF
12	120-7173-03	1	Handle-Upper, LH	26	46-8093	4	Screw-Plastite
13	120-7174-03	1	Handle-Upper, RH	27	105-9987	2	Support-Rod
14	138-8487	1	Control Panel ASM	28	136-8698	1	Decal
14:4	121-1240	1	Decal-Safety	30	120-2301-03	1	Plate-Support, Shift
15	138-3676-03	1	Support-Panel, Control				

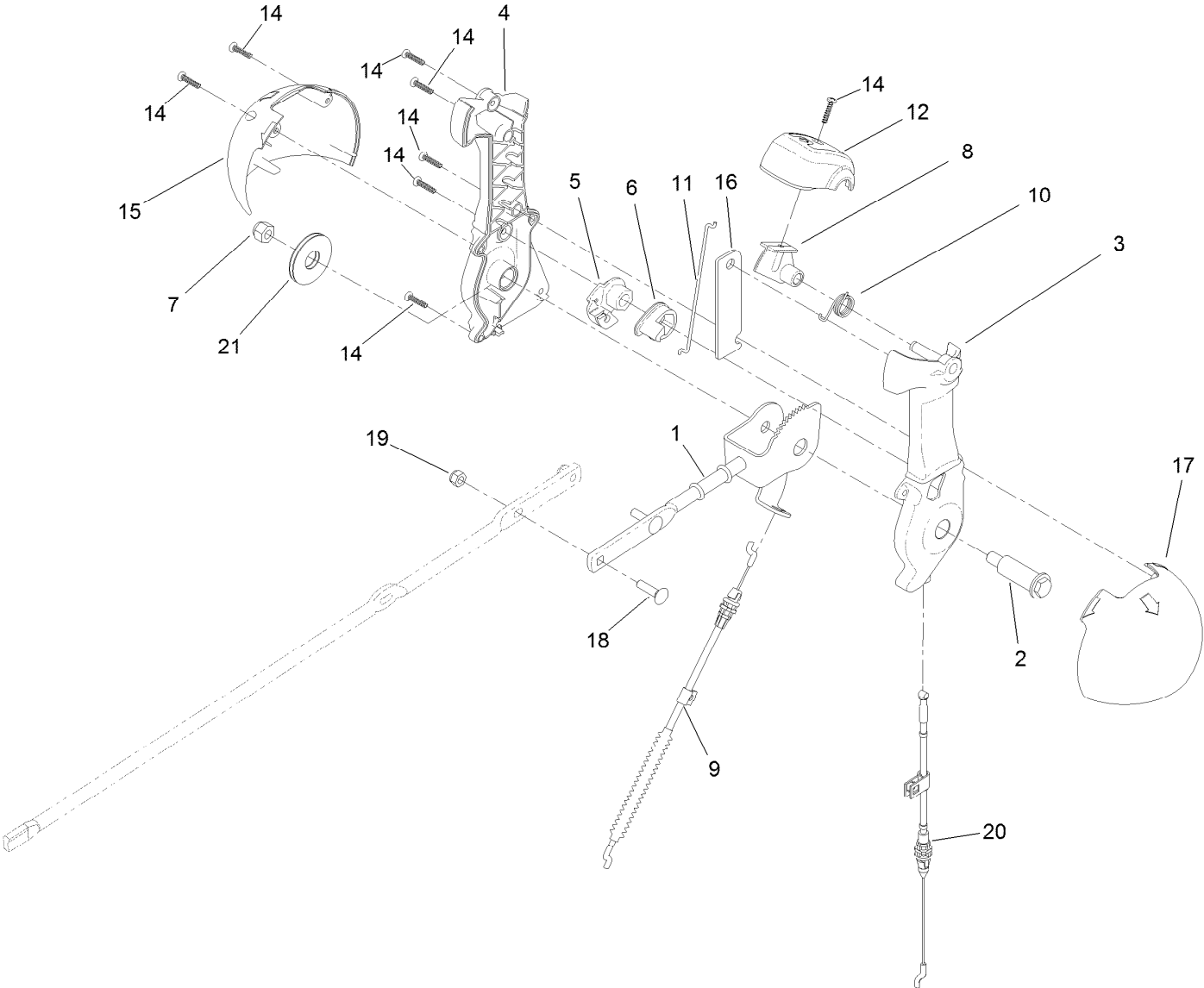
# Control Assembly



## Control Assembly (continued)

<i>Ref.</i>	<i>Part Number</i>	<i>Qty.</i>	<i>Description</i>	<i>Ref.</i>	<i>Part Number</i>	<i>Qty.</i>	<i>Description</i>
1	98-3499	1	Washer-Flat	9	121-1205	1	Latch-Lockout
2	121-6812	1	Cable-Auger	10	136-7161	1	Spring-Lockout, Handle
3	121-6813	1	Cable-Traction	11	136-7194	1	Screw-Shoulder
4	121-1200	1	Handle-Control, Traction	12	137-3093	1	Nut-Hex
5	121-1201	1	Handle-Control, Auger	13	137-3035	3	Pin-Spring
6	136-7125	1	Rod-Lockout	14	136-7162	1	Spring-Return, Lever
7	121-1203	1	Cam-Lockout	15	32121-2	1	Pin-Roll, Slotted
8	136-7160	1	Link-Lockout				

# Lever Chute Control Assembly



## Lever Chute Control Assembly (continued)

<i>Ref.</i>	<i>Part Number</i>	<i>Qty.</i>	<i>Description</i>	<i>Ref.</i>	<i>Part Number</i>	<i>Qty.</i>	<i>Description</i>
1	138-0662	1	Chute Control Rod	12	137-6239	1	Cap-Lever
2	138-0659	1	Screw-Shoulder,HWH	13	136-6578	1	Rod-Chute, Rotation
3	137-6236	1	Lever-Control, Chute (LH)	14	94-4496	8	Screw-PPH
4	137-6235	1	Lever-Control, Chute (RH)	15	136-6677	1	Globe-Quickstick, RH
5	105-9988	1	Lever-Cable, Deflector	16	136-6632	1	Plate-Stiffner
6	106-7310	1	Pawl-Latch	17	136-6678	1	Globe-Quickstick, LH
7	137-3087	1	Nut-Hex	18	137-3056	3	Bolt-CARR
8	137-6238	1	Trigger-Latch	19	137-3094	3	Nut-Hex
9	138-3672	1	Cable-Control, Deflector	20	138-3673	1	Cable-Release, Chute
10	105-9982	1	Spring-Torsion	21	138-0744	1	Washer-Friction, Composite
11	138-0688	1	Link-Latch				

**Notes:**

**Notes:**



**Count on it.**