



**Count on it.**

**Parts Catalog**

**Power Max<sup>®</sup> Heavy Duty 828  
OAE Snowthrower**

Model No. 38838—Serial No. 400000000 and Up



# Ordering Replacement Parts

To order replacement parts, please supply the part number, the quantity, and the description of each part desired.

## Understanding Reference Numbers

Each identified part in an illustration has a reference number. The reference number for a part also appears in the parts list, along with other information about the part.

This catalog uses two special reference number formats, one to indicate parts in a service assembly and another to indicate the quantity of a given part in an illustration.

## Service Assembly Reference Numbers

Parts in service assemblies have reference numbers in the form a:b. The a represents the reference number of the entire service assembly and the b represents a sequential number unique to each part within the service assembly.

For example, a wheel assembly might be identified by reference number 6, the tire by 6:1, the valve by 6:2, and the wheel by 6:3. When you order the assembly identified by reference number 6, you receive all parts identified by reference numbers 6:1, 6:2, and 6:3. However, you may also order any part individually. Reference numbers of this type appear in illustration and in parts lists.

## Reference Numbers Indicating Quantity

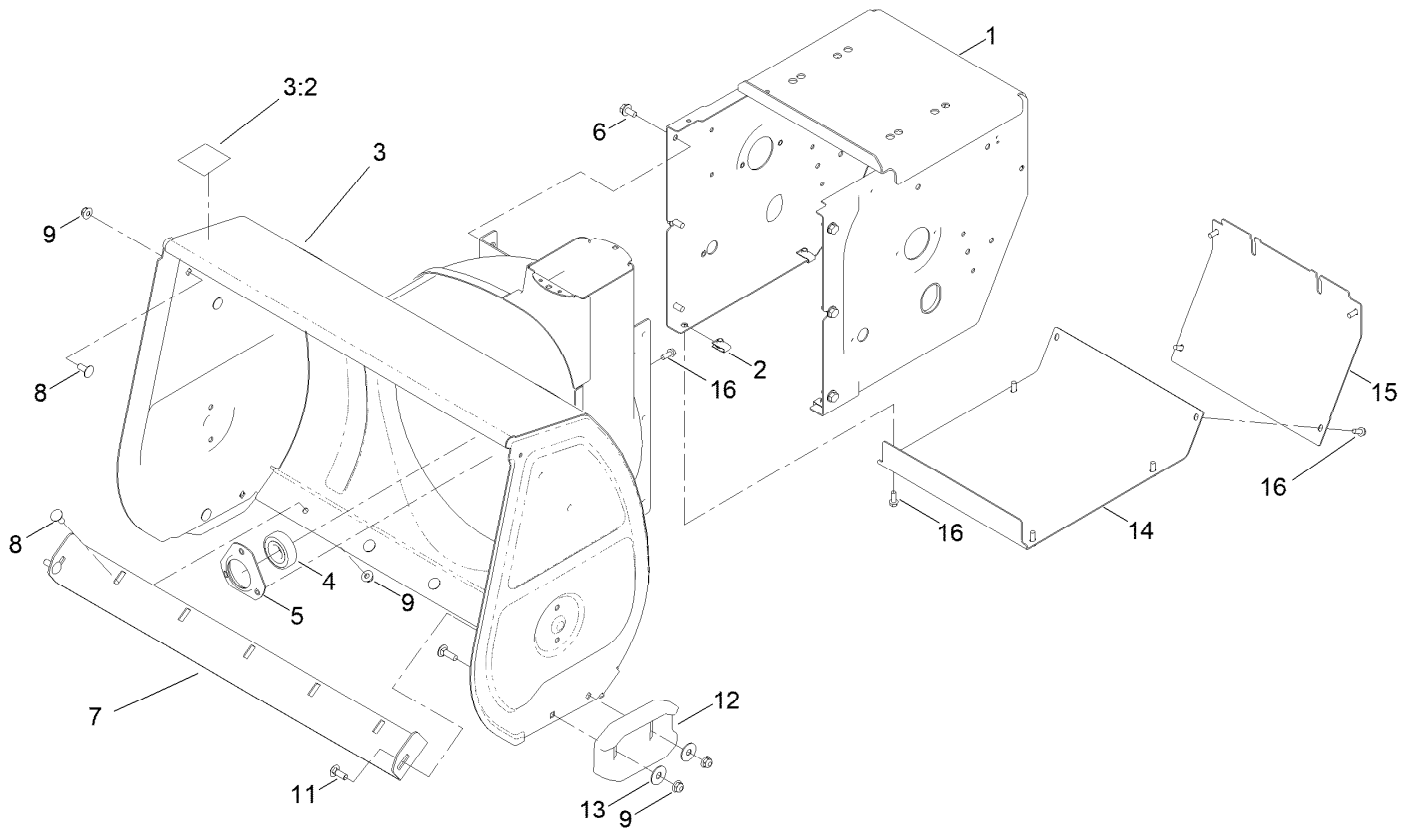
In an illustration, if a reference number indicates more than one part, the reference number has the form nX y. The n represents the quantity of the part, the X is the multiplication symbol, and the y represents the reference number.

For example, in an illustration, the reference number 2X 37 means that two of the parts identified by reference number 37 are indicated.

# Contents

Housing Assembly .....	4
Auger Drive Assembly .....	6
Gear Case Assembly .....	8
Engine Assembly .....	10
Fuel System and Carburetor Assembly .....	12
Intake and Exhaust Assembly .....	14
Ignition and Electrical Assembly .....	16
Crankcase Assembly .....	18
Governor Assembly .....	20
Piston and Head Assembly .....	22
Blower Housing and Shrouds Assembly .....	24
Engine Decal Assembly .....	26
Chute Assembly .....	28
Lower Chute Assembly .....	30
Chute Control Assembly .....	32
Handle Assembly .....	34
Traction Drive Assembly .....	36
Autoturn Drive Assembly .....	38
Attachments and Accessories .....	40

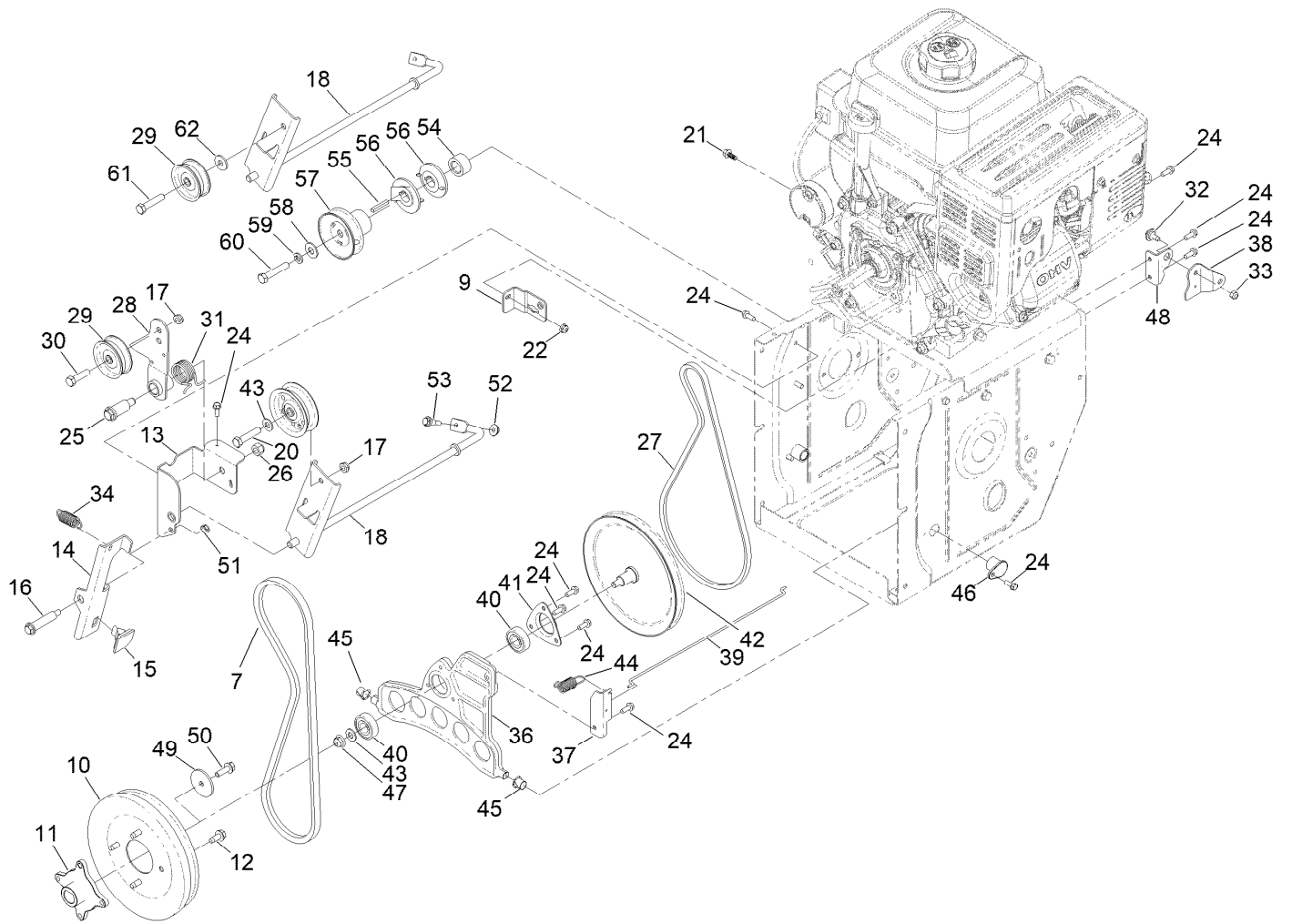
# Housing Assembly



## Housing Assembly (continued)

<i>Ref.</i>	<i>Part Number</i>	<i>Qty.</i>	<i>Description</i>	<i>Ref.</i>	<i>Part Number</i>	<i>Qty.</i>	<i>Description</i>
1	136-6639-01	1	Frame-Traction	8	137-3061	5	Bolt-CARR
2	107069	8	Clip	9	119-4041	9	Nut-HF
3	139-1562	1	Auger Housing ASM	11	137-3059	4	Bolt-CARR
3:2	121-6817	1	Decal-Danger, Auger	12	106-4588-01	2	Skid
4	136-6571	1	Bearing-Ball	13	119-4150	4	Washer-Flat
5	136-6573	1	Retainer-Bearing	14	136-6650-01	1	Cover-Bottom
6	32144-14	6	Screw-HWHTF	15	136-6651-01	1	Cover-Rear
7	136-6588-01	1	Blade-Scraper	16	32144-85	11	Screw-HWH

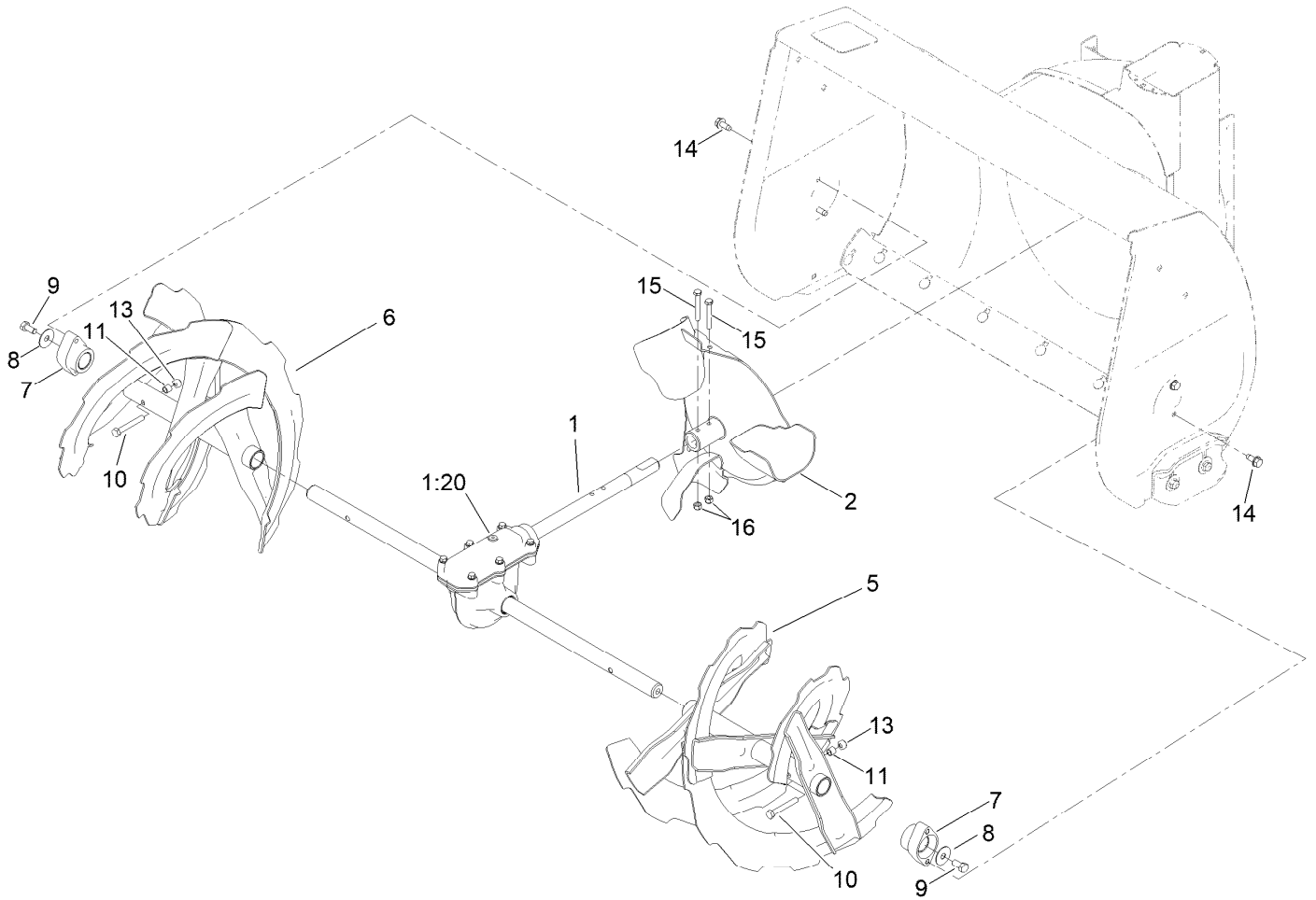
# Auger Drive Assembly



## Auger Drive Assembly (continued)

<i>Ref.</i>	<i>Part Number</i>	<i>Qty.</i>	<i>Description</i>	<i>Ref.</i>	<i>Part Number</i>	<i>Qty.</i>	<i>Description</i>
7	127-0076	1	Belt-V	37	137-6156	1	Bracket-Plate, Traction
9	136-8654-03	1	Bracket-Clutch, Impeller	38	137-6159-03	1	Bellcrank-Drive
10	138-0717	1	Pulley-Impeller	39	137-6157	1	Link-Drive
11	136-6558	1	Hub-Pulley	40	38-7820	2	Bearing-Ball
12	32144-70	4	Screw-HWHTF	41	136-7124	1	Retainer-Bearing
13	136-8671-03	1	Bracket-Brake, Clutch	42	137-6154	1	Pulley-Traction
14	136-6527	1	Brake Arm	43	115-1166	1	Washer-Flat
15	66-8060	1	Pad-Brake	44	137-6189	1	Spring-Extension
16	136-7199	1	Bolt-Shoulder	45	256-257	2	Bushing-Nyliner
17	121-4600	2	Nut-Hex	46	120-7156	2	Bushing-Plate, Traction
18	144-1243-03	1	Arm-Clutch, Impeller [black]	47	119-4042	1	Nut-HF, NI
20	138-0722	1	Screw-HH	48	136-6654	1	Bracket-Bellcrank
21	137-3111	1	Screw-HHF	49	137-3121	1	Washer-Plain
22	137-3005	1	Nut-HF	50	115-5142	1	Screw-HHF
24	32144-85	12	Screw-HWH	51	137-3089	1	Nut-Hex
25	136-7116	1	Bolt-Shoulder	52	137-3016	1	Nut-HF
26	137-3095	1	Nut-Hex	53	104-0858	1	Bolt-Shoulder
27	109-7299	1	Belt,3L P21 Drive	54	144-1242	1	Spacer
28	136-7186	1	Arm-Idler, Traction	55	92-2649	1	Key-Square
29	3-4244	2	Pulley-Idler	56	144-1235	2	Sheave-Traction
30	137-3065	1	Screw-HH	57	144-1232	1	Pulley-Impeller (Welded]
31	120-3060	1	Spring-Torsion	58	137-3078	1	Washer-Plain
32	92-9698	1	Screw-Shoulder	59	3253-21	1	Washer-Lock
33	137-3094	1	Nut-Hex	60	120-2302	1	Screw-HH
34	107-1045	1	Spring-Extension	61	138-0722	1	Screw-HH
36	136-6689	1	Plate-Friction, Wheel	62	139-2632	1	Washer-Hardened

# Gear Case Assembly

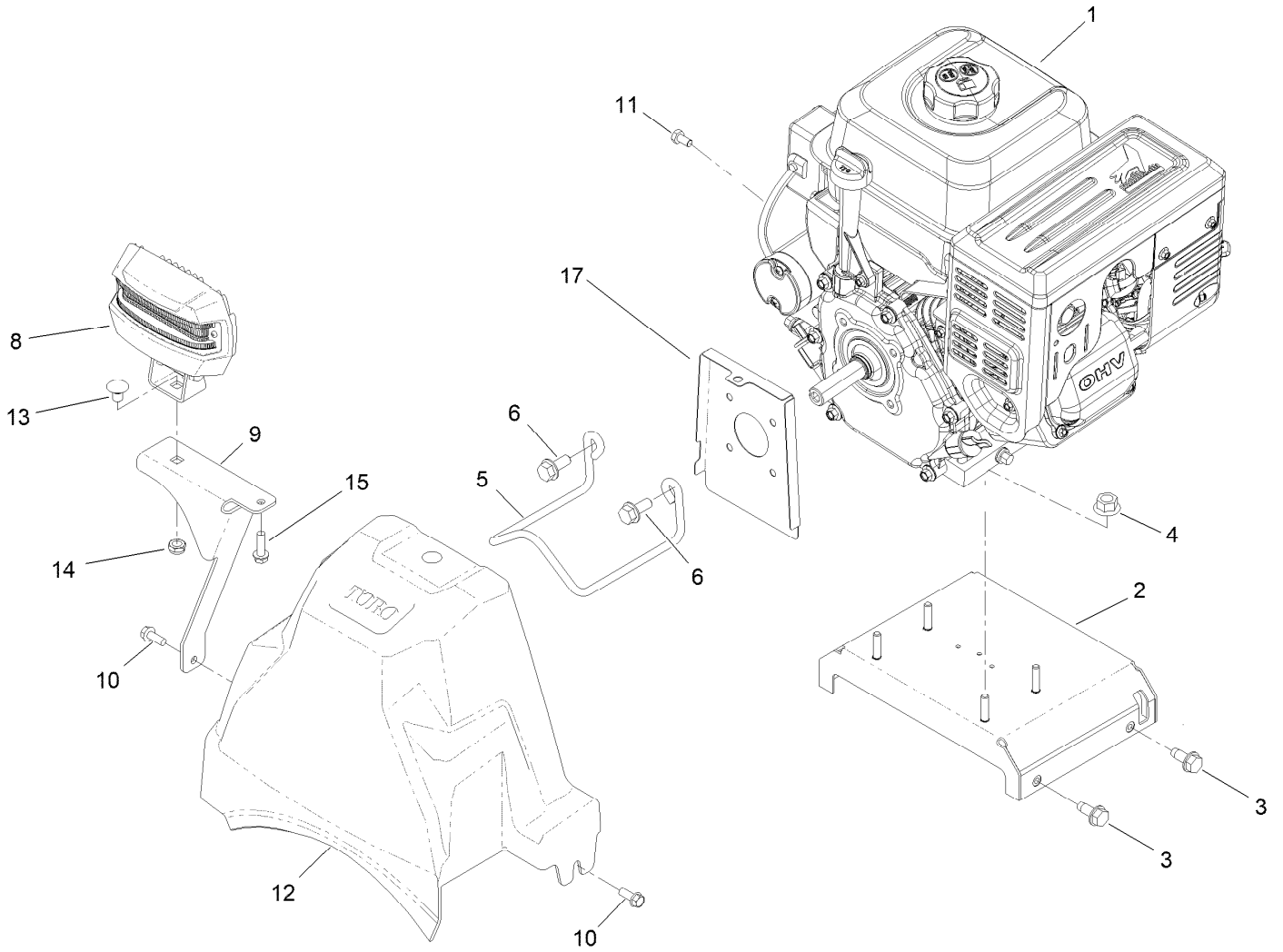




## Gear Case Assembly (continued)

<i>Ref.</i>	<i>Part Number</i>	<i>Qty.</i>	<i>Description</i>	<i>Ref.</i>	<i>Part Number</i>	<i>Qty.</i>	<i>Description</i>
1	136-6549	1	Auger Gearcase ASM	9	137-3066	2	Screw-HH
1:20	138-3629	1	Plug-Oil	10	120-9738	2	Screw-HH
2	136-6570-03	1	Impeller	11	136-7148	2	Spacer-Grommet
5	136-6600-03	1	Auger-LH	13	119-4038	2	Nut-Hex
6	136-6601-03	1	Auger-RH	14	32144-70	4	Screw-HWHTF
7	106-4570	2	Bearing-Auger	15	137-3032	2	Screw-HH
8	3-0750	2	Washer	16	137-3088	2	Nut-Hex

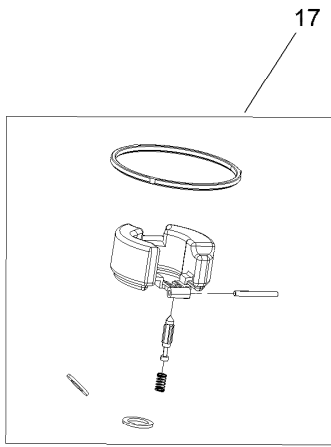
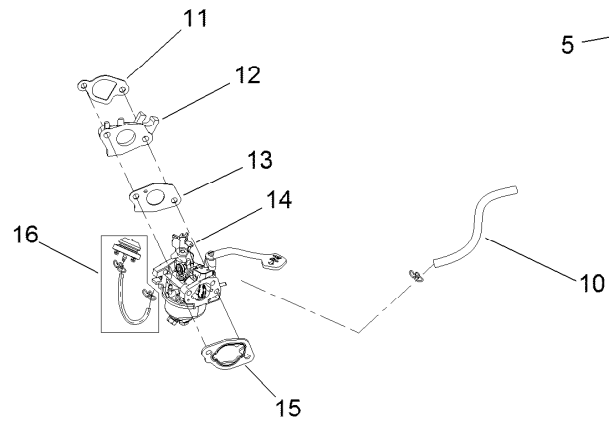
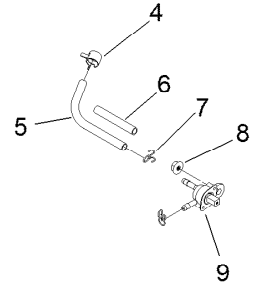
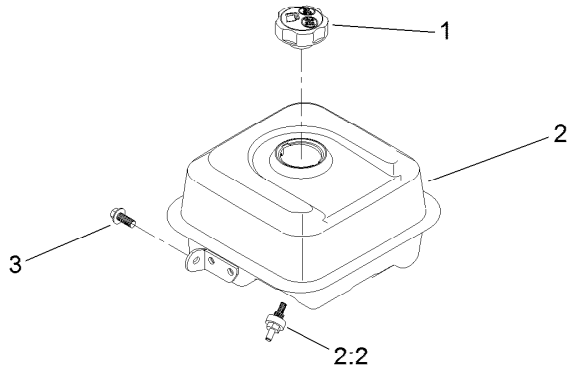
# Engine Assembly



## Engine Assembly (continued)

<i>Ref.</i>	<i>Part Number</i>	<i>Qty.</i>	<i>Description</i>	<i>Ref.</i>	<i>Part Number</i>	<i>Qty.</i>	<i>Description</i>
1	136-7756	1	Engine-G250Fds-1	10	32144-85	2	Screw-HWH
2	139-9911	1	Plate-Engine, Assembly	11	121-4604	1	Screw-HH
3	32144-70	4	Screw-HWHTF	12	136-6606	1	Cover-Belt
4	32128-20	4	Nut-HF	13	3230-19	1	Bolt-CARR
5	144-1247	1	Guide-Belt	14	137-3089	1	Nut-Hex
6	138-0690	2	Screw-HH	15	137-3099	1	Screw-Plastite, HWH
8	138-0670	1	LED Light ASM	17	140-7945-03	1	Cover-Crank
9	138-0683-03	1	Bracket-Light				

# Fuel System and Carburetor Assembly

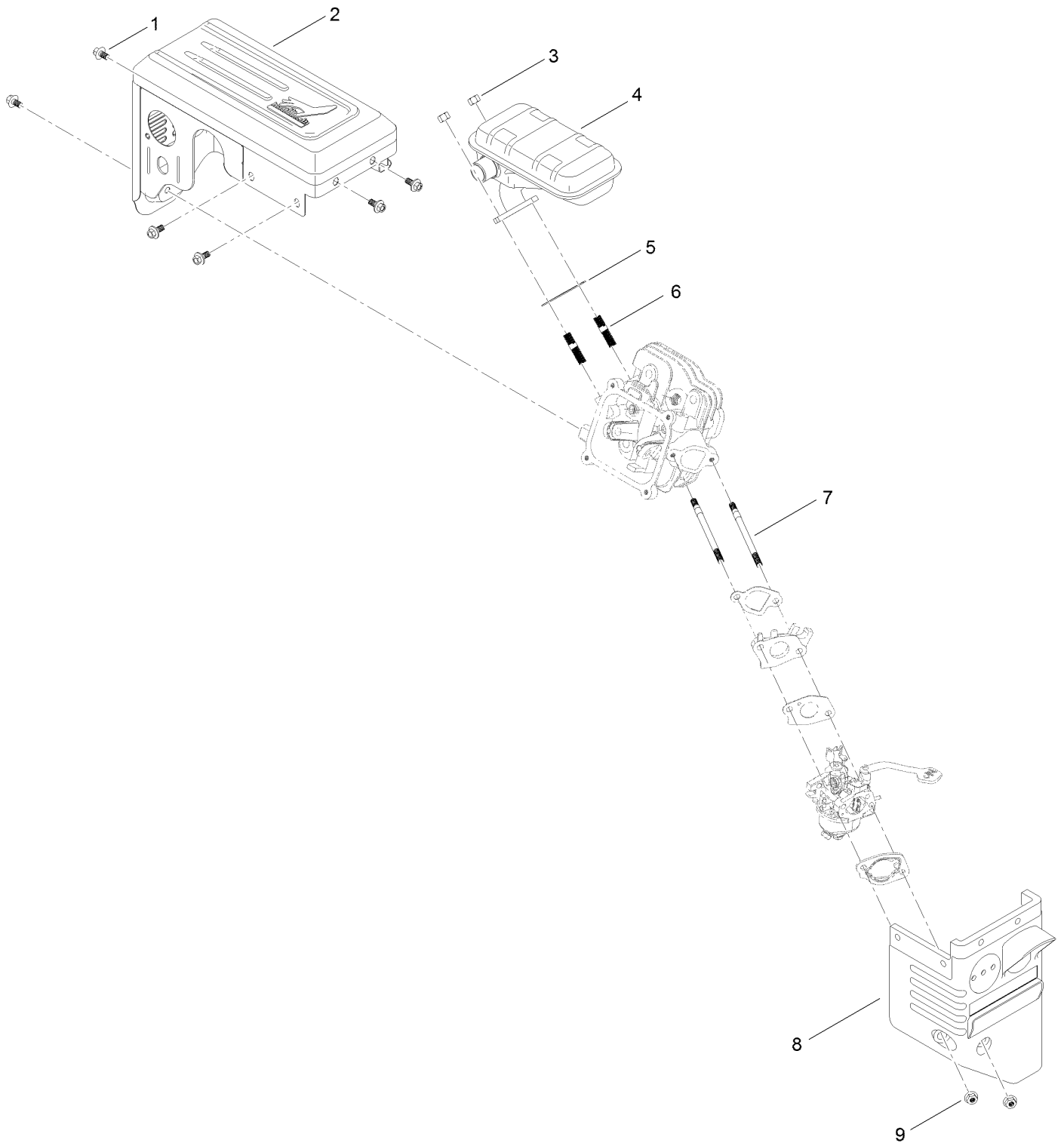


## Fuel System and Carburetor Assembly (continued)

<i>Ref.</i>	<i>Part Number</i>	<i>Qty.</i>	<i>Description</i>	<i>Ref.</i>	<i>Part Number</i>	<i>Qty.</i>	<i>Description</i>
1	133-9823	1	Cap-Fuel	10	127-9489	1	Hose-Fuel
2	133-1553	1	Fuel Tank And Filter ASM	11	133-1531	1	Gasket-Carburetor
2:2	127-9065	1	Filter-Fuel	12	133-1532	1	Insulator-Carburetor
3	121-0294	1	Screw-HHF	13	133-1533	1	Gasket-Carburetor
4	127-9120	1	Clamp-Hose	14	133-1534	1	Carburetor ASM
5	133-1556	1	Hose-Fuel	15	121-0080	1	Gasket-Carburetor
6	133-9997	1	Sleeve-Abrasion	16	127-9079	1	Primer Kit
7	121-0087	3	Clamp-Hose	17	127-9395	1	Internal Carb Service Kit
8	120-4236	1	Nut-Flange	99	133-9937	1	High Altitude Kit ●
9	127-9117	1	Valve-Fuel				

● Not illustrated

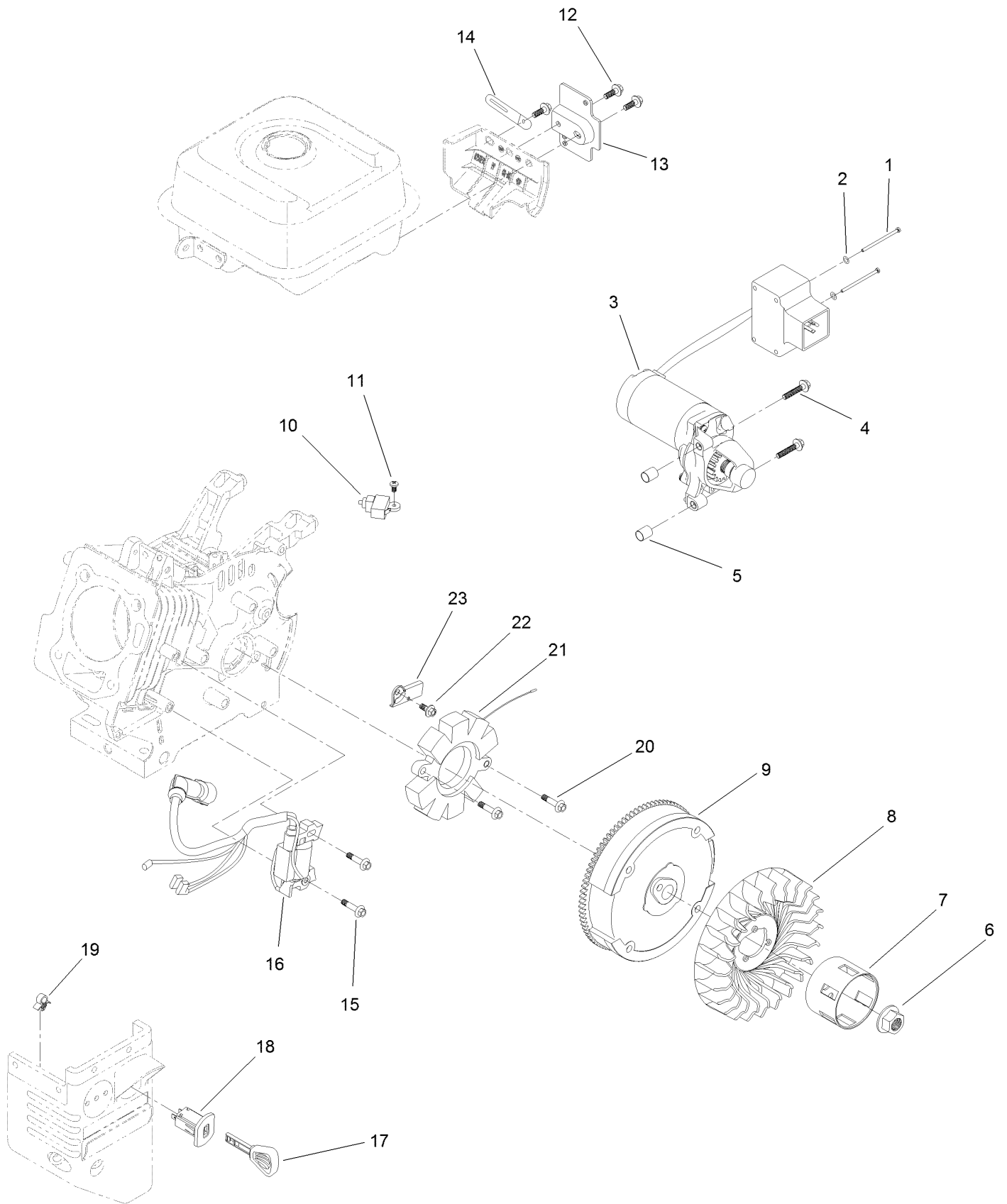
# Intake and Exhaust Assembly



## Intake and Exhaust Assembly (continued)

<i>Ref.</i>	<i>Part Number</i>	<i>Qty.</i>	<i>Description</i>	<i>Ref.</i>	<i>Part Number</i>	<i>Qty.</i>	<i>Description</i>
1	121-0294	6	Screw-HHF	6	121-0464	2	Stud-Exhaust
2	127-9491	1	Muffler Cover ASM	7	121-4112	2	Stud-Intake
3	121-0199	2	Nut-HH	8	127-9112	1	Box-Heater
4	127-9490	1	Muffler ASM	9	121-0308	2	Nut-Flange
5	133-1539	1	Gasket-Exhaust				

# Ignition and Electrical Assembly

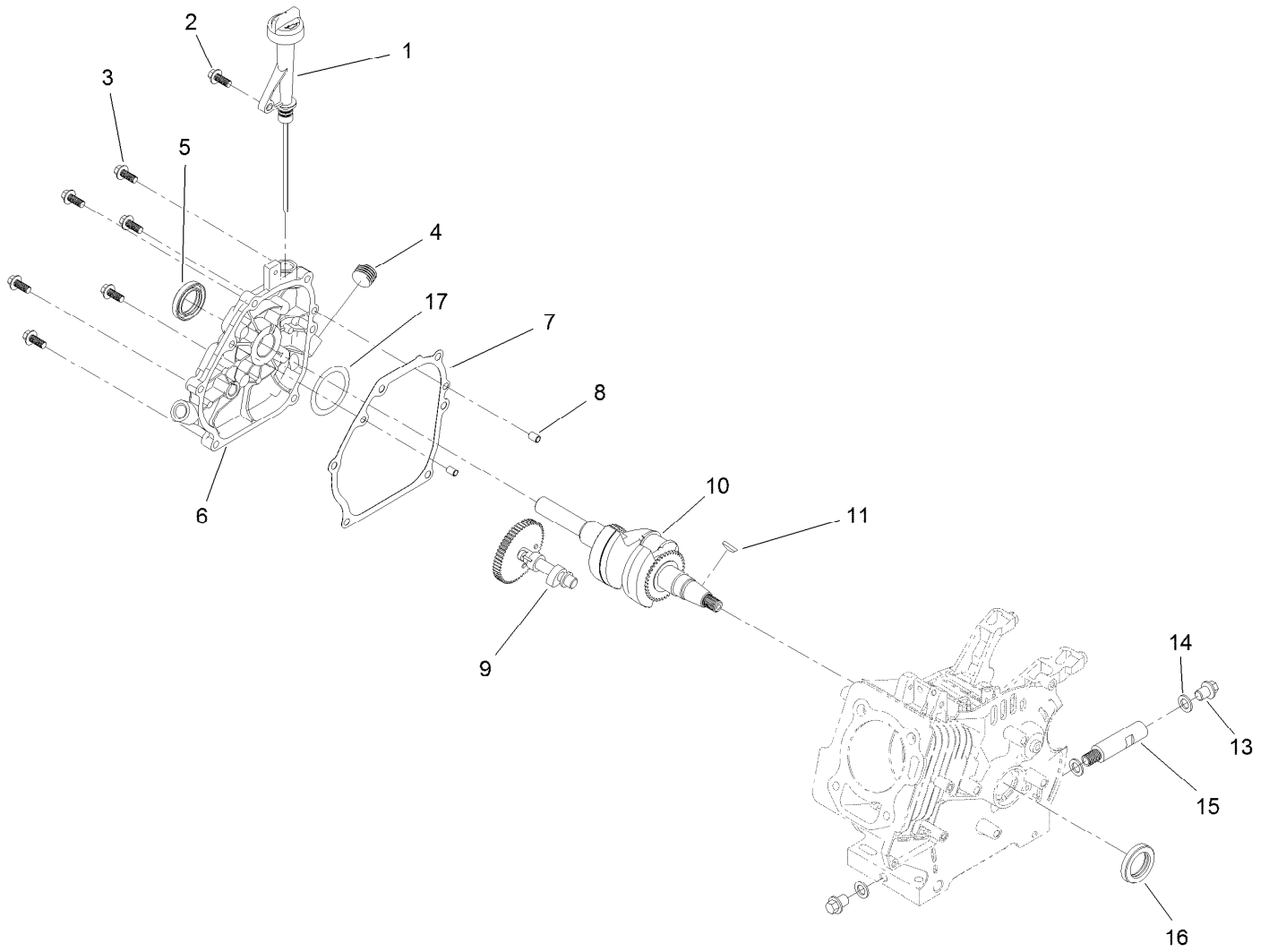




## Ignition and Electrical Assembly (continued)

<i>Ref.</i>	<i>Part Number</i>	<i>Qty.</i>	<i>Description</i>	<i>Ref.</i>	<i>Part Number</i>	<i>Qty.</i>	<i>Description</i>
1	121-0306	2	Screw-Bhp	13	133-1554	1	Bracket-Switchbox, Starter
2	121-0312	2	Washer-Plain	14	121-0017	1	Clip-Harness, Wire
3	133-9998	1	Motor-Starter	15	121-0097	2	Screw-HHF
4	133-1546	2	Screw-Flange	16	133-9996	1	Ignition Coil ASM
5	121-0055	2	Pin-Dowel	17	117-7728	1	Key
6	121-0047	1	Nut-Flange	18	121-0283	1	Switch-Key
7	133-1527	1	Cup-Starter	19	121-0326	1	Clip
8	133-1526	1	Fan-Cooling	20	121-0196	2	Screw-HHF
9	127-9484	1	Flywheel ASM	21	127-9485	1	Alternator
10	121-0284	1	Switch-Kill, Engine	22	121-0116	1	Screw-HHF
11	120-4461	1	Screw-PPH	23	127-9486	1	Clamp-Wire, Charge
12	127-9123	3	Screw-HHF				

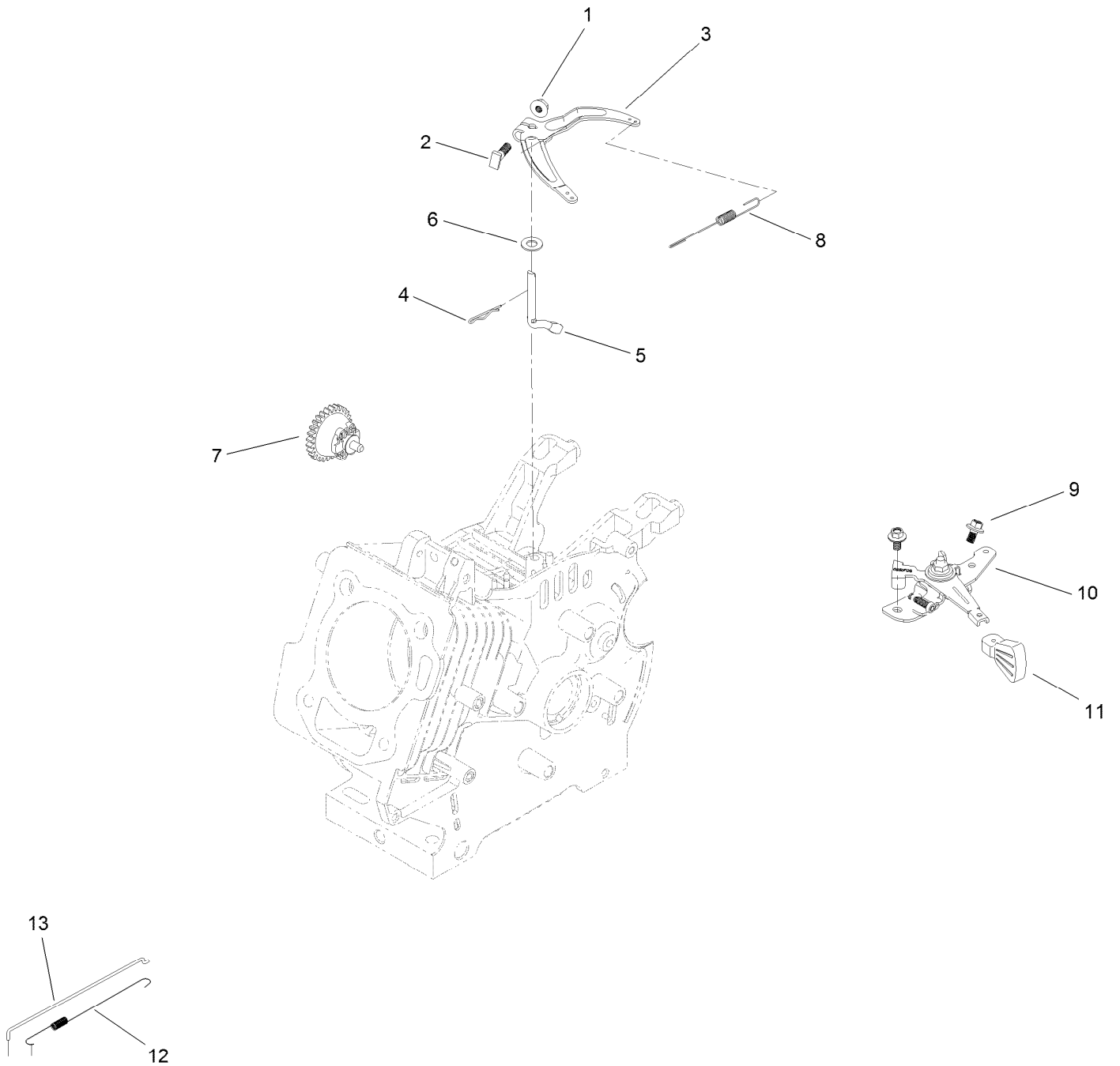
# Crankcase Assembly



## Crankcase Assembly (continued)

<i>Ref.</i>	<i>Part Number</i>	<i>Qty.</i>	<i>Description</i>	<i>Ref.</i>	<i>Part Number</i>	<i>Qty.</i>	<i>Description</i>
1	139-0734	1	Oil Fill ASM	9	133-9991	1	Camshaft ASM
2	127-9123	1	Screw-HHF	10	127-9495	1	Crankshaft
3	121-4114	6	Screw-HHF	11	120-4320	1	Key-Woodruff
4	133-9805	1	Plug-Drain	13	121-0030	2	Screw-HHF
5	133-1516	1	Seal-Oil	14	121-0048	3	Washer-Plain
6	133-9865	1	Cover-Crankcase	15	127-9104	1	Tube-Drain, Oil
7	127-9493	1	Gasket-Cover, Crankcase	16	133-9864	1	Seal-Oil
8	121-0054	2	Pin-Dowel	17	133-9863	1	Washer-Thrust

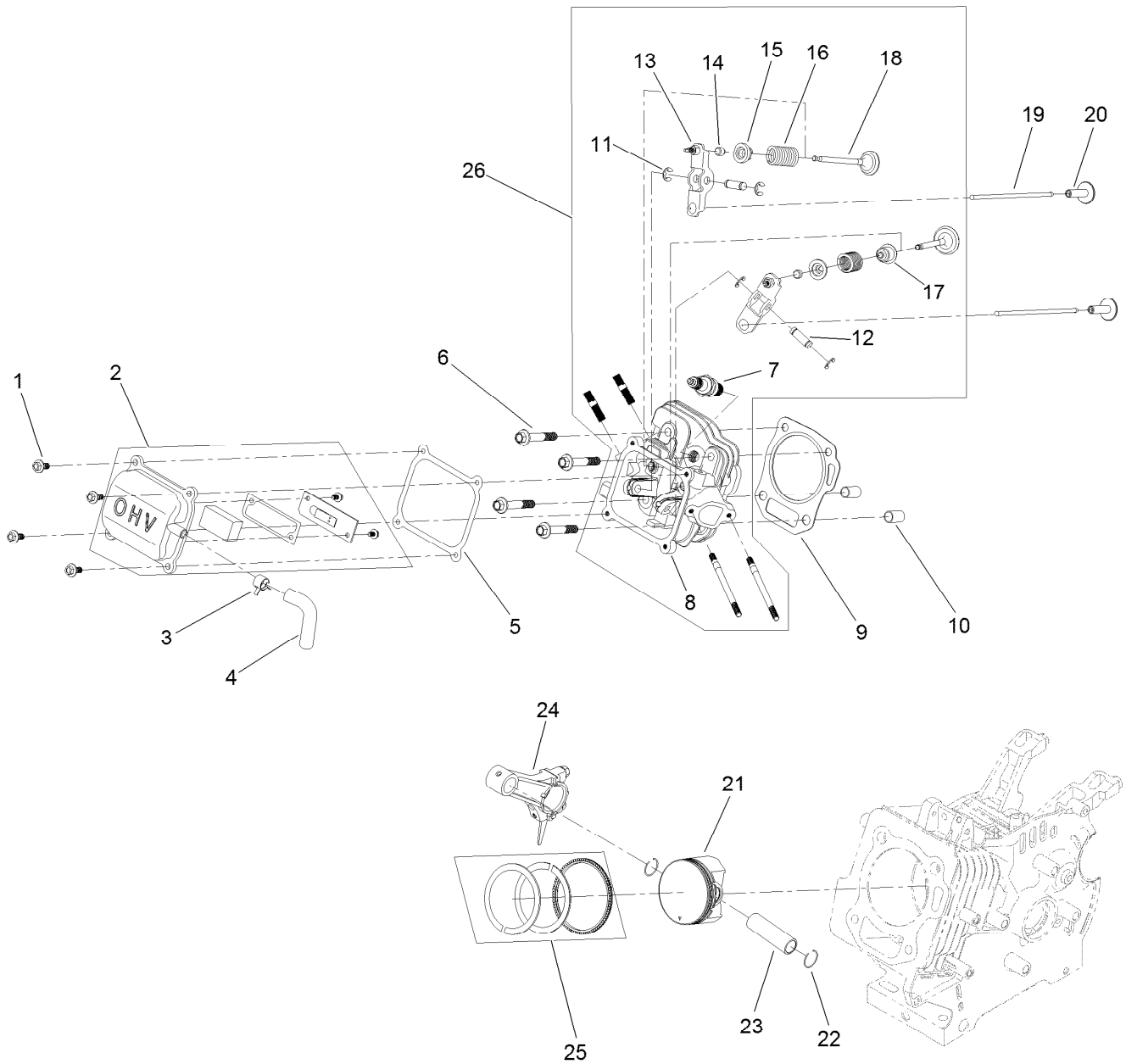
# Governor Assembly



## Governor Assembly (continued)

<i>Ref.</i>	<i>Part Number</i>	<i>Qty.</i>	<i>Description</i>	<i>Ref.</i>	<i>Part Number</i>	<i>Qty.</i>	<i>Description</i>
1	120-4236	1	Nut-Flange	8	127-9483	1	Spring-Governor
2	120-4238	1	Bolt-Arm, Governor	9	121-0116	2	Screw-HHF
3	127-9482	1	Arm-Governor	10	133-1555	1	Throttle Control ASM
4	120-4256	1	Pin-Hair	11	121-0269	1	Knob-Control, Throttle
5	133-9995	1	Shaft-Governor	12	133-1536	1	Spring-Return, Throttle
6	121-0498	1	Washer-Plain	13	133-1535	1	Rod-Governor
7	133-9994	1	Governor Gear ASM				

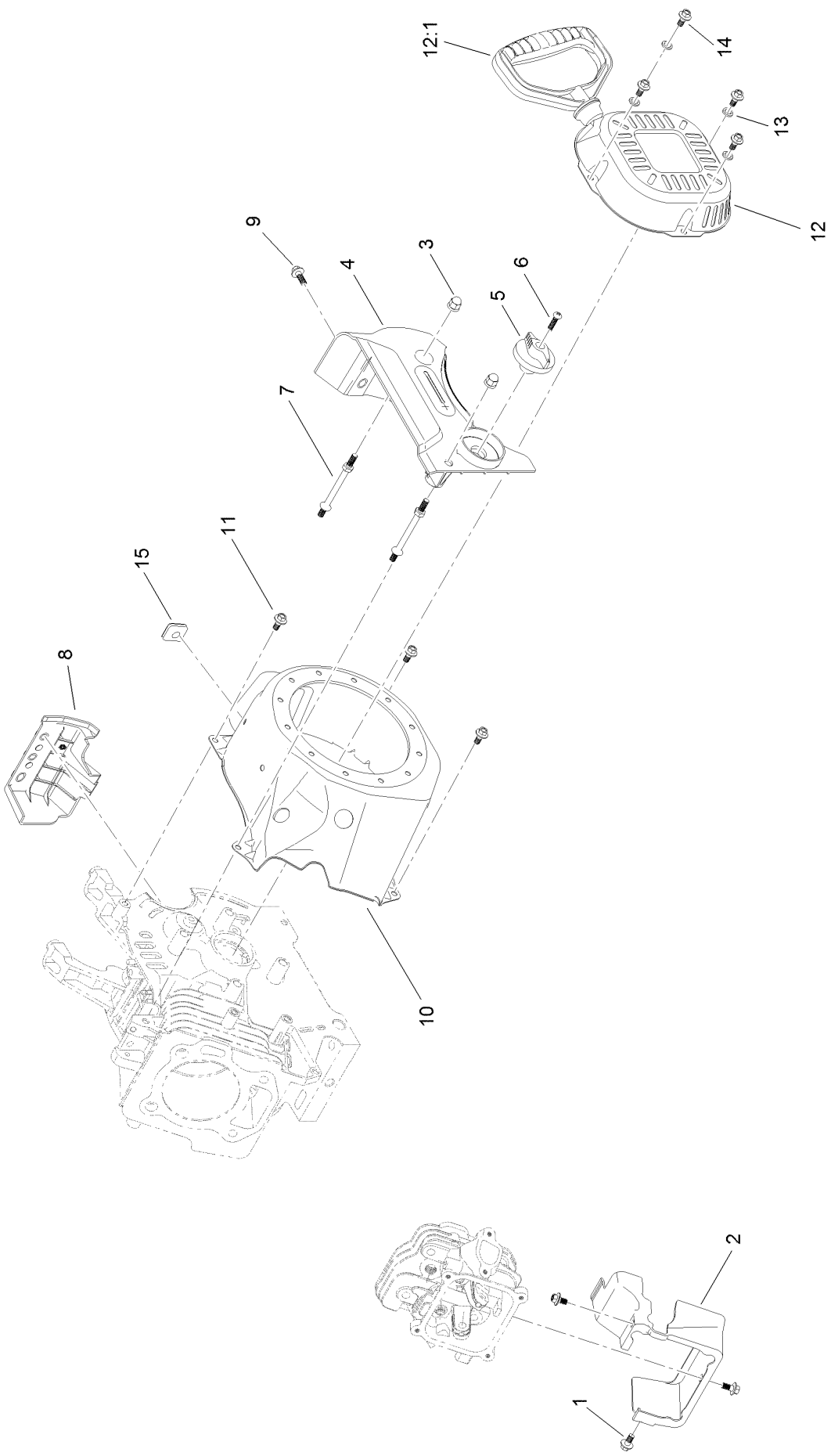
# Piston and Head Assembly



## Piston and Head Assembly (continued)

<i>Ref.</i>	<i>Part Number</i>	<i>Qty.</i>	<i>Description</i>	<i>Ref.</i>	<i>Part Number</i>	<i>Qty.</i>	<i>Description</i>
1	120-4454	4	Screw-HHF	14	121-4116	2	Rotator-Valve
2	133-1500	1	Valve Cover ASM	15	121-4117	2	Retainer-Spring, Valve
3	133-1558	1	Clamp-Hose	16	127-9014	2	Spring-Valve
4	133-9990	1	Tube-Breather	17	121-4202	1	Seal-Stem, Valve
5	133-1507	1	Gasket-Cover, Valve	18	133-1515	1	Set-Valve
6	133-1508	4	Screw-Flange	19	133-1514	2	Rod-Push
7	81-3250	1	Spark Plug	20	127-9015	2	Tappet-Valve
8	133-1509	1	Head-Cylinder	21	133-1522	1	Piston
9	133-1510	1	Gasket-Head	22	121-0313	2	Clip-Pin, Piston
10	120-4200	2	Pin-Dowel	23	121-4128	1	Pin-Piston
11	133-1511	4	E-Clip	24	121-4123	1	Connecting Rod ASM
12	133-1512	2	Pin-Arm, Rocker	25	133-1521	1	Set-Ring, Piston
13	133-1513	2	Rocker Arm ASM	26	133-9867	1	Complete Head ASM

# Blower Housing and Shrouds Assembly

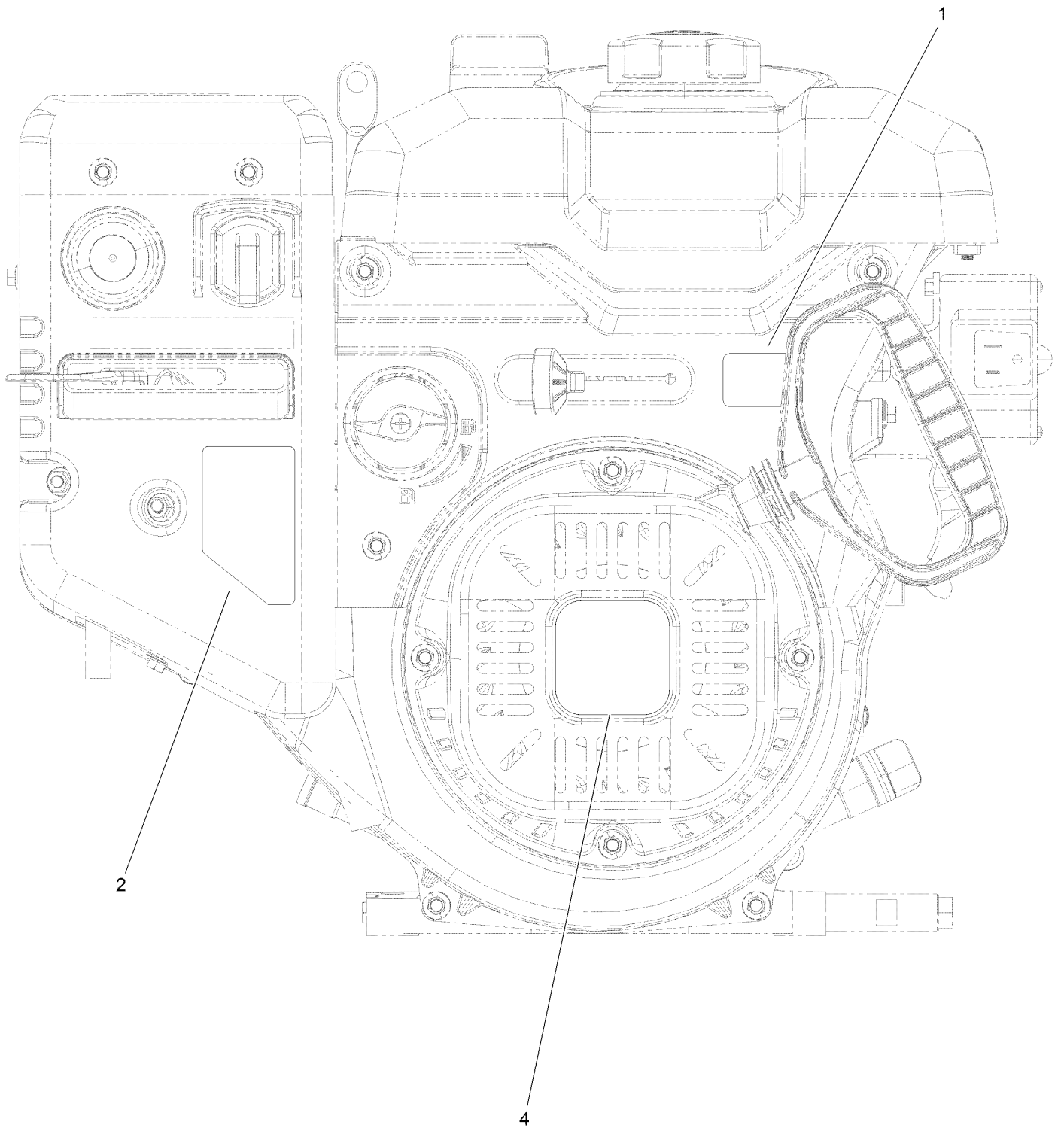




## Blower Housing and Shrouds Assembly (continued)

<i>Ref.</i>	<i>Part Number</i>	<i>Qty.</i>	<i>Description</i>	<i>Ref.</i>	<i>Part Number</i>	<i>Qty.</i>	<i>Description</i>
1	121-0116	3	Screw-HHF	9	127-9123	1	Screw-HHF
2	133-1530	1	Shroud-Head	10	133-1528	1	Shroud-Flywheel
3	127-9383	2	Nut-Acorn	11	121-0294	3	Screw-HHF
4	133-1557	1	Panel-Control, Front	12	127-9487	1	Recoil ASM
5	121-0268	1	Knob-Valve, Fuel	12:1	121-0287	1	Handle-Recoil
6	121-0305	1	Screw-Bhp	13	127-9380	4	Washer-Plain
7	127-9110	2	Stud-Mount	14	127-9031	4	Screw-HHF
8	133-1543	1	Panel-Side, Engine	15	133-1548	1	Grommet-Rubber

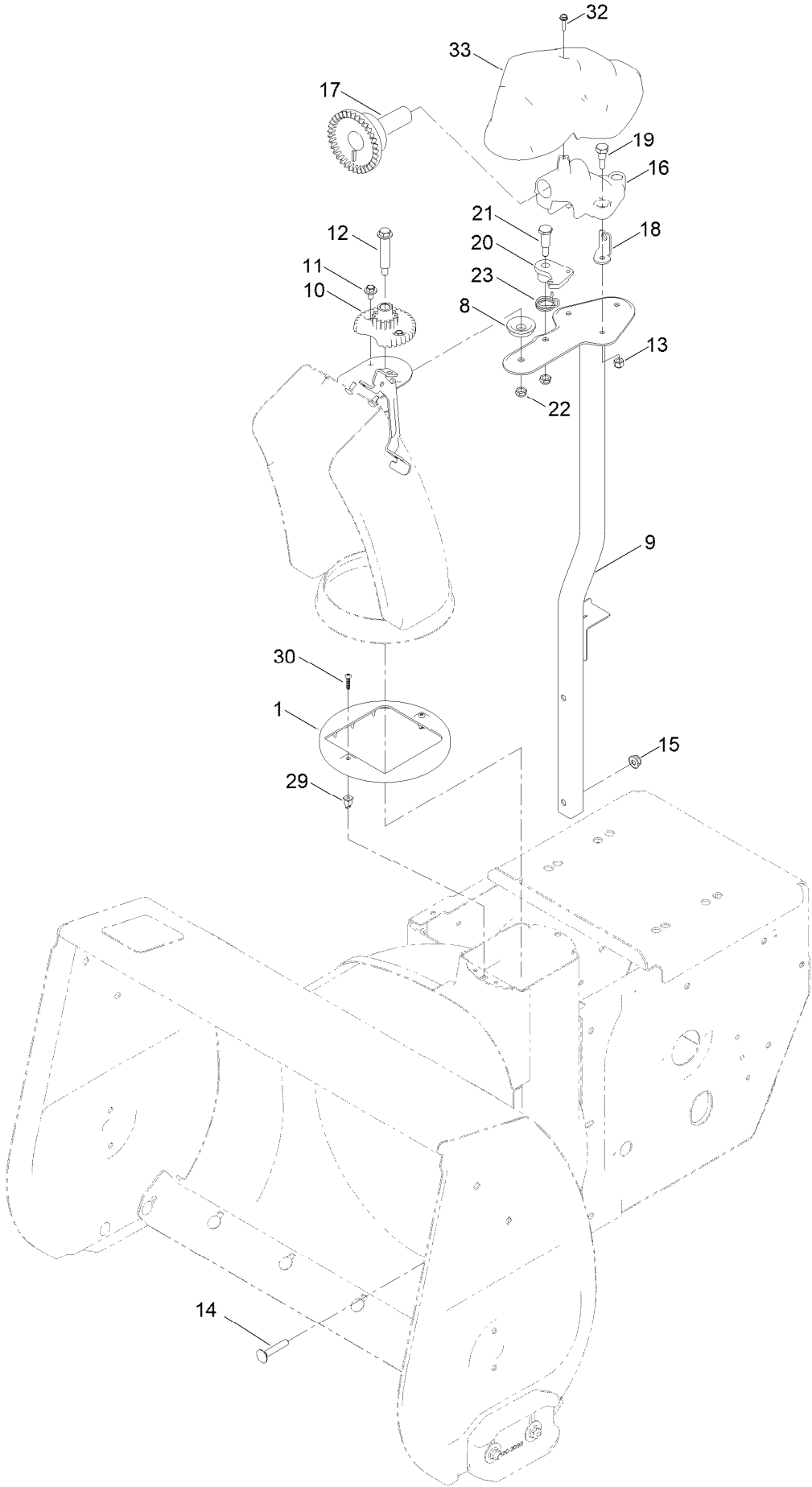
# Engine Decal Assembly



## Engine Decal Assembly (continued)

<i>Ref.</i>	<i>Part Number</i>	<i>Qty.</i>	<i>Description</i>
1	131-6487	1	Decal-Throttle
2	120-9805	1	Decal-Control, Engine
4	131-5912	1	Decal-Recoil, G250

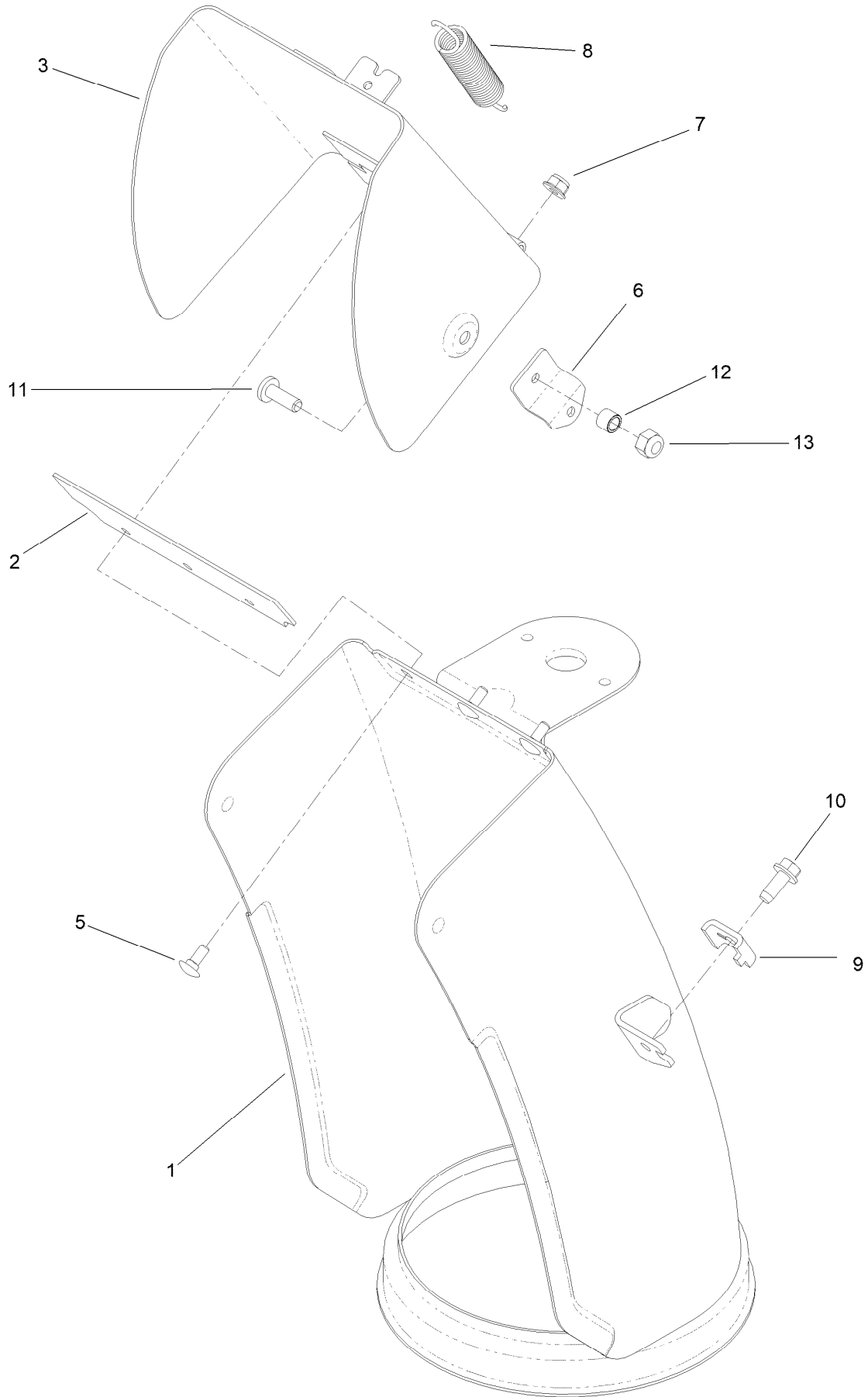
# Chute Assembly



## Chute Assembly (continued)

<i>Ref.</i>	<i>Part Number</i>	<i>Qty.</i>	<i>Description</i>	<i>Ref.</i>	<i>Part Number</i>	<i>Qty.</i>	<i>Description</i>
1	136-6515	1	Guide-Chute	18	136-6676	1	Anchor-Cable
8	106-4422	1	Spacer-Chute	19	136-7197	3	Screw-Shoulder
9	137-6245-03	1	Chute Post ASM	20	136-6525	1	Latch-Chute
10	106-4472	1	Gear-Chute	21	137-3103	1	Screw-Shoulder, HH
11	46-6810	2	Screw And Washer ASM	22	137-3089	2	Nut-Hex
12	136-7199	1	Bolt-Shoulder	23	108-7315	1	Spring-Torsion
13	137-3088	3	Nut-Hex	29	136-6586	2	Grommet-Screw
14	137-3063	2	Bolt-Car	30	94-4496	2	Screw-PPH
15	119-4041	2	Nut-HF	32	137-3110	1	Screw-Plastite, HWH
16	136-6517	1	Mount-Gear, Face	33	136-6672	1	Cover-Gear, Face
17	106-4471	1	Gear-Face				

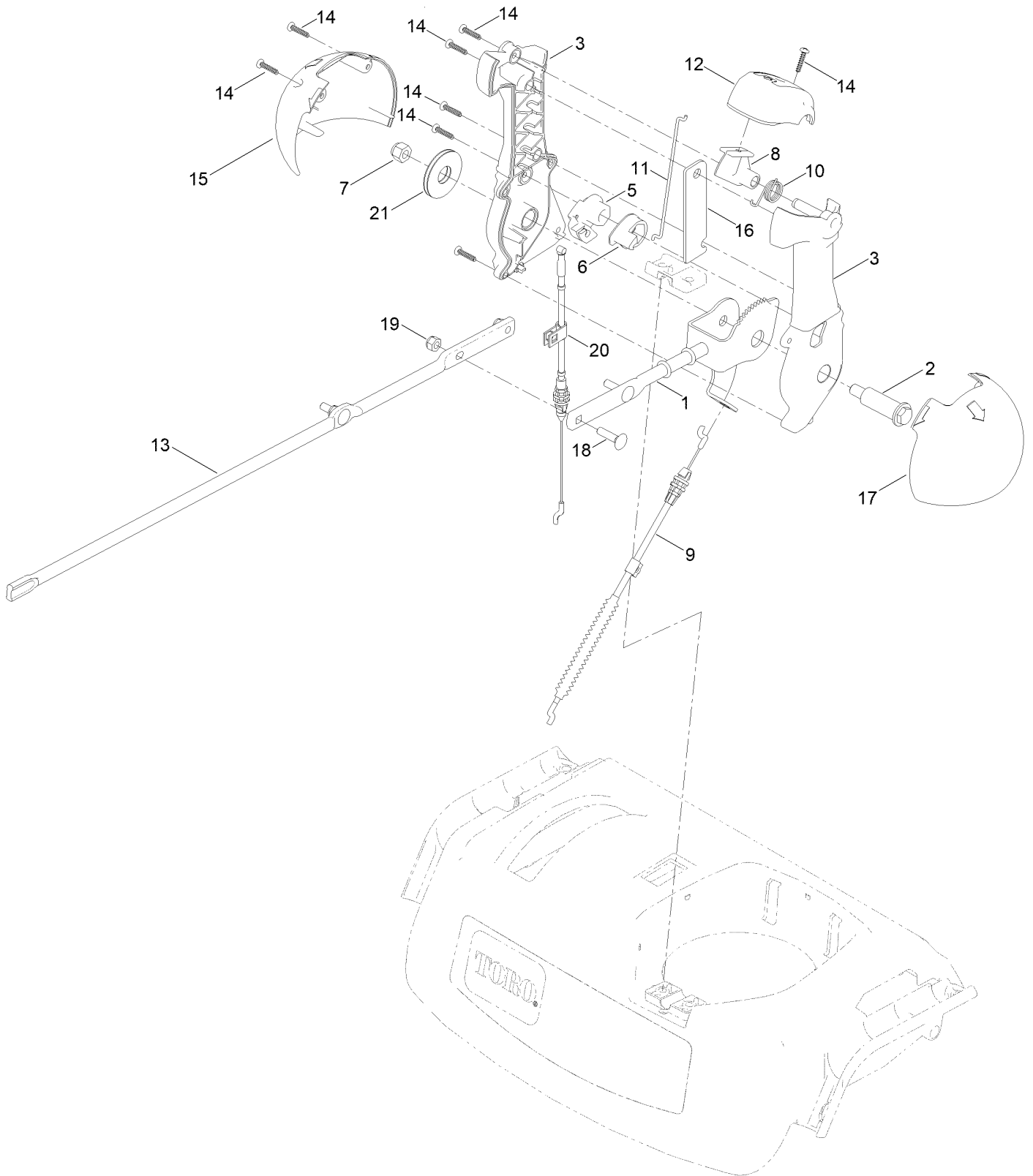
# Lower Chute Assembly



## Lower Chute Assembly (continued)

<i>Ref.</i>	<i>Part Number</i>	<i>Qty.</i>	<i>Description</i>	<i>Ref.</i>	<i>Part Number</i>	<i>Qty.</i>	<i>Description</i>
1	144-1246-01	1	Chute-Lower ASM [red]	8	138-8493	1	Spring-Chute, Upper
2	138-3671	1	Gasket-Deflector	9	136-7191	1	Clamp-Cable
3	138-3615-01	1	Deflector	10	137-3043	1	Screw-HWH
5	135-1929	3	Bolt-CARR	11	138-0689	1	Screw-PH
6	138-3612-01	1	Bracket-Spring	12	138-3678	1	Spacer
7	138-0719	3	Nut-HF	13	137-3094	1	Nut-Hex

# Chute Control Assembly

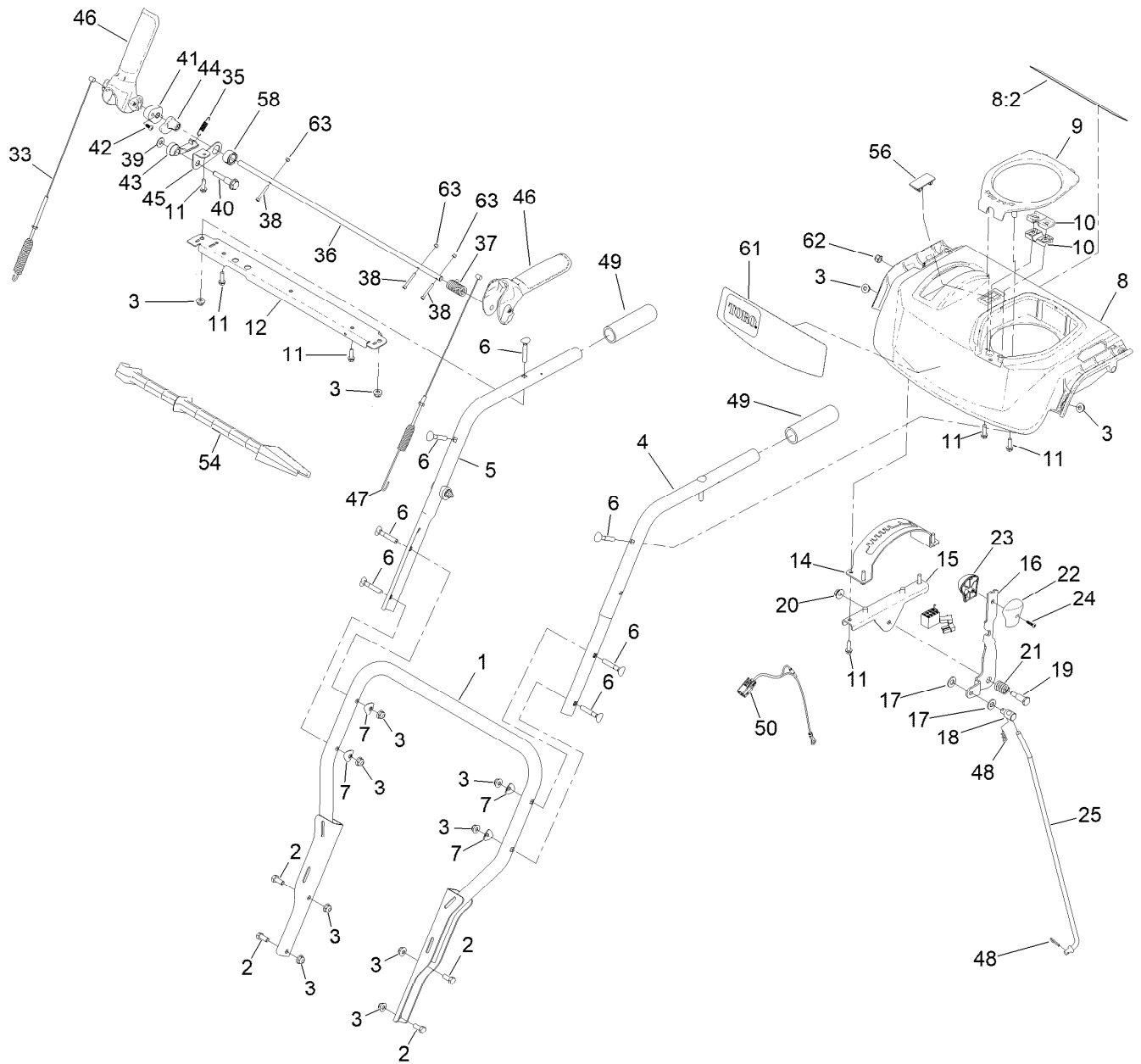




## Chute Control Assembly (continued)

<i>Ref.</i>	<i>Part Number</i>	<i>Qty.</i>	<i>Description</i>	<i>Ref.</i>	<i>Part Number</i>	<i>Qty.</i>	<i>Description</i>
1	138-0662	1	Rod-Control, Chute	12	137-6239	1	Cap-Lever
2	138-0659	1	Screw-Shoulder, HWH	13	136-6578	1	Rod-Chute, Rotation
3	139-1552	1	Chute Control Lever ASM	14	94-4496	8	Screw-PPH
5	105-9988	1	Lever-Cable, Deflector	15	136-6677	1	Globe-Quickstick, RH
6	106-7310	1	Pawl-Latch	16	136-6632-03	1	Plate-Stiffner
7	137-3087	1	Nut-Hex	17	136-6678	1	Globe-Quickstick, LH
8	137-6238	1	Trigger-Latch	18	137-3056	3	Bolt-CARR
9	144-1227	1	Cable-Deflector	19	137-3094	3	Nut-Hex
10	105-9982	1	Spring-Torsion	20	139-9903	1	Cable-Release, Chute
11	138-0688	1	Link-Latch	21	138-0744	1	Washer-Friction, Composite

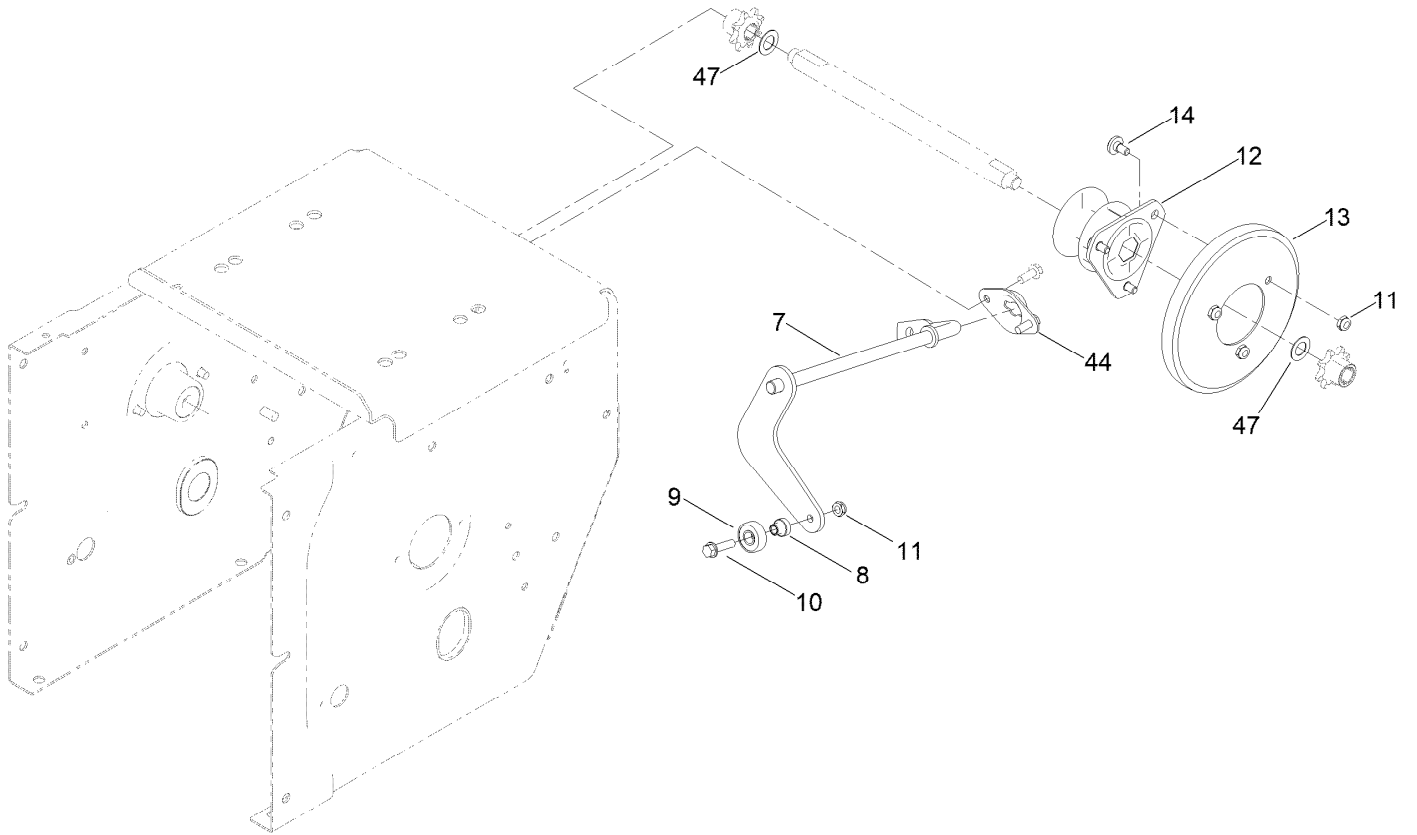
# Handle Assembly



## Handle Assembly (continued)

<i>Ref.</i>	<i>Part Number</i>	<i>Qty.</i>	<i>Description</i>	<i>Ref.</i>	<i>Part Number</i>	<i>Qty.</i>	<i>Description</i>
1	136-6682-03	1	Lower Handle ASM	33	138-3661	1	Cable-Augur
2	137-3052	4	Screw-HH	35	136-7161	1	Spring-Lockout, Handle
3	138-8401	12	Nut-HF	36	137-6182	1	Rod-Lockout
4	137-6206-03	1	Handle-Upper, LH	37	138-0678	1	Spring-Torsion, Handle Return
5	137-6207-03	1	Handle-Upper, RH	38	139-3694	3	Screw-HSH
6	137-3107	8	Screw-Handle	39	98-3499	1	Washer-Flat
7	137-3009	4	Washer-Cup	40	138-0681	1	Screw-Shoulder
8	137-6208	1	Panel-Control, W/Graphics	41	137-6227	1	Lock-Handle
8:2	137-6249	1	Decal-Safety	42	137-9137	1	Screw-PPH
9	137-6178	1	Cover-Quickstick	43	137-6229	1	Latch-Lockout
10	105-9987	2	Support-Rod	44	138-8466	1	Cam-Lockout
11	137-3099	9	Screw-Plastite, HWH	45	138-3652	1	Link-Lockout
12	137-6197-01	1	Brace-Console	46	137-6171	2	Lever-Control
14	137-6187-03	1	Gate-Shift	47	138-0728	1	Cable-Traction
15	137-6188-03	1	Bracket-Shift	48	137-3083	2	Pin-Hair
16	137-6231-03	1	Selector-Speed	49	120-1333	2	Grip-Handle
17	115-1166	2	Washer-Flat	50	138-3645	1	Harness-Wire, LED
18	136-7193	1	Trunnion-Rod	54	110-3408	1	Stick-Cleanout
19	137-3103	1	Screw-Shoulder, HH	56	99-7420	1	Plug-Hole
20	137-3038	1	Nut-HF	58	138-8467	1	Collar-Cam
21	136-7121	1	Spring-Compression	61	144-0308	1	Decal-Console
22	105-9999	1	Knob-Shift, LH	62	137-3093	1	Nut-Hex
23	106-4423	1	Knob-Shift, RH	63	127-2018	3	Nut-HHF
24	94-4496	1	Screw-PPH				
25	137-6225	1	Rod-Shift				

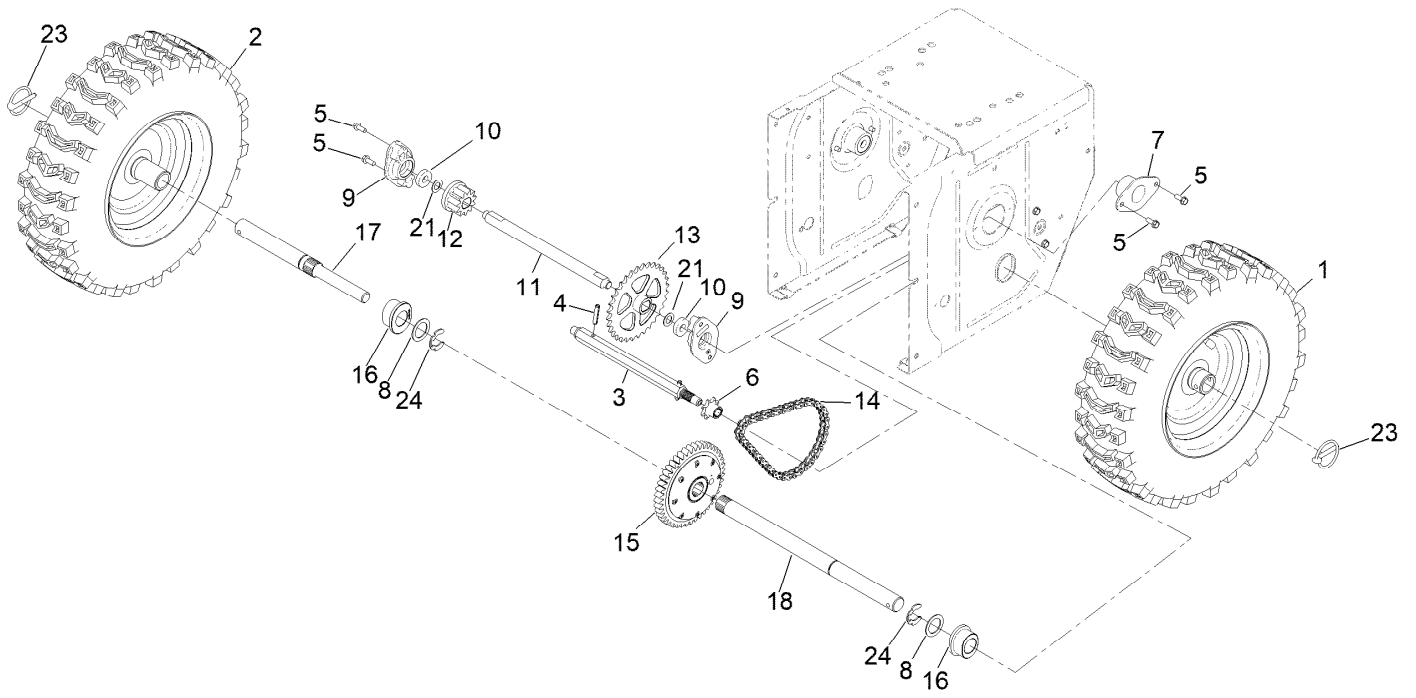
# Traction Drive Assembly



## Traction Drive Assembly (continued)

<i>Ref.</i>	<i>Part Number</i>	<i>Qty.</i>	<i>Description</i>	<i>Ref.</i>	<i>Part Number</i>	<i>Qty.</i>	<i>Description</i>
7	137-6162-03	1	Rod-Shift	12	119-7630	1	Trunnion
8	119-7684	1	Spacer-Plate, Shift	13	119-1567	1	Wheel-Friction
9	121-6835	1	Bearing-Ball	14	137-6246	3	Screw-Shoulder
10	32144-86	1	Screw-HWHTF	44	136-6647-03	1	Retainer-Rod, Shift
11	137-3091	4	Nut-Hex	47	36-4780	2	Washer-Plain

# Autoturn Drive Assembly



## Autoturn Drive Assembly (continued)

<i>Ref.</i>	<i>Part Number</i>	<i>Qty.</i>	<i>Description</i>	<i>Ref.</i>	<i>Part Number</i>	<i>Qty.</i>	<i>Description</i>
1	136-6668	1	LH Wheel And Tire ASM	11	136-6692	1	Shaft-Intermediate
2	136-6667	1	RH Wheel And Tire ASM	12	136-6699	1	Tooth-Gear, 11
3	138-0745	1	Shaft-Hex	13	136-6698	1	Sprocket-32T
4	32121-9	2	Pin-Roll, Slotted	14	108-0016	1	Chain-Roller
5	32144-85	8	Screw-HWH	15	140-3748	1	Transmission-Gt, Di300
6	125-1134	1	Gear-Pinion, 8 Tooth	16	136-6641	2	Bushing-Axle
7	108-7319	2	Retainer-Bearing	17	140-3711	1	Axle-Rt, HD
8	138-0725	2	Washer-Thrust	18	140-3736	1	Axle -Lt, HD
9	136-6697	2	Retainer-Bearing, Intermediate	21	36-4780	2	Washer-Plain
10	52-2450	2	Bearing-Wheel	23	138-3642	2	Pin-Klik
				24	32151-91	2	Ring-Retaining

# Attachments and Accessories

## For 38838 Power Max Heavy Duty 828 OAE Snowthrower

<b>Product Name</b>	<b>Model/Part</b>
Heavy-Duty Skid Kit.....	125-1104
Snow Cab Kit.....	127-5960
Non-Marking Skid Kit.....	38211
Drift Breaker Kit.....	38213
Tire Chain Kit, 16in Tires.....	38215
Toro Snow Oil 0W30 Synthetic 20-Ounce Bottle.....	38913
Power Max HD Covers (2019).....	490-7415



**Notes:**

**Notes:**

**Notes:**



**Count on it.**