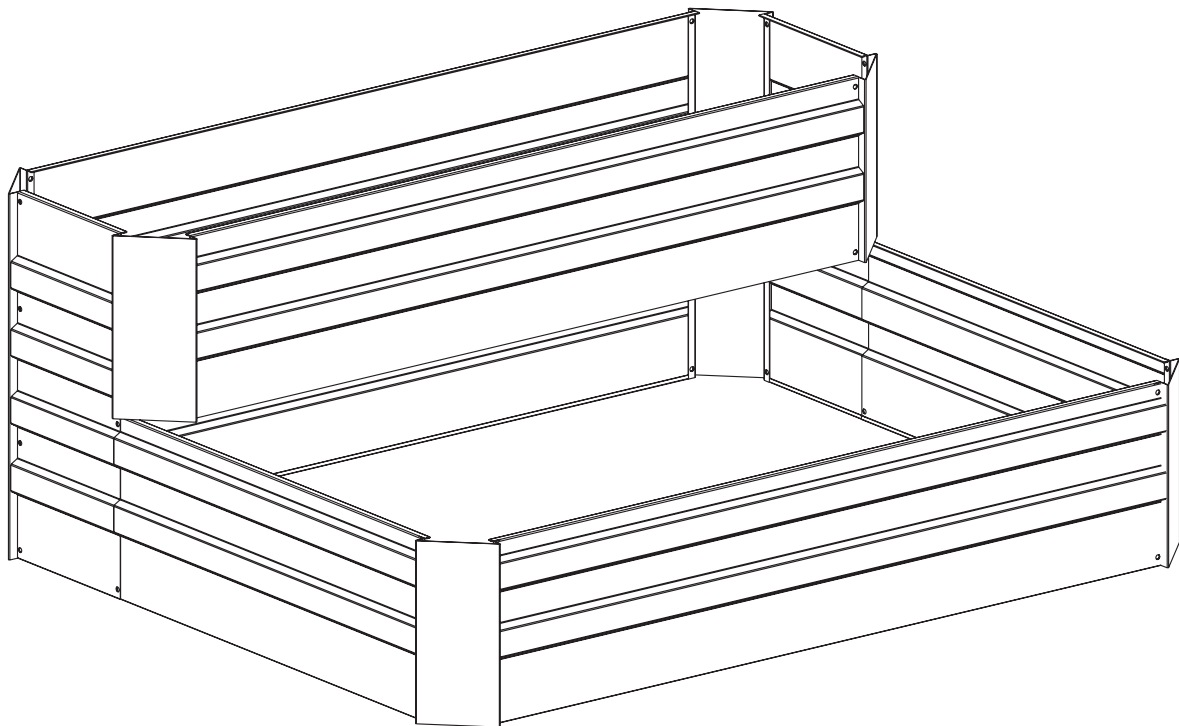


Thank you for purchasing this Winsome House product. This product has been manufactured with the highest standards of safety and quality.

<b>Product Name:</b>	Two - tier Galvanized Raised Garden Bed
<b>SKU #:</b>	WHPL1274



## PREPARATION

---

Before assembling product, make sure all parts are present. Compare parts with package contents list and hardware contents below. If any part is missing or damaged, do not attempt to assemble the product.

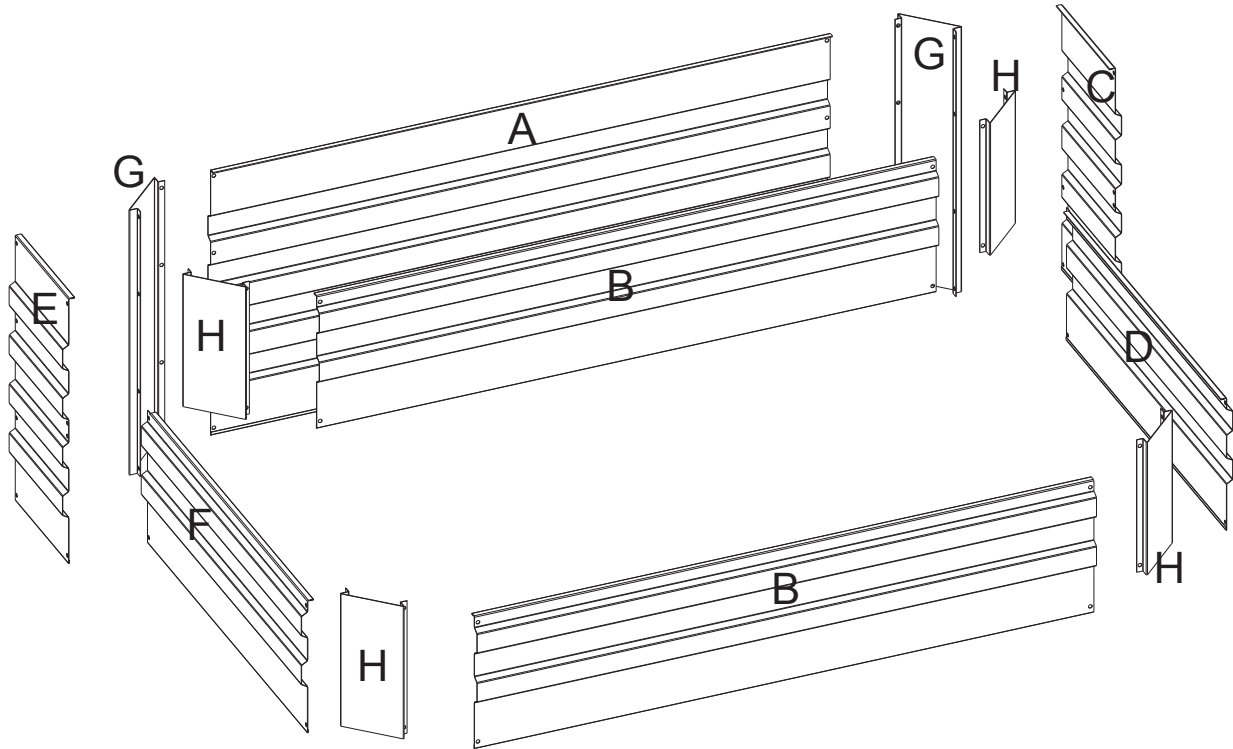
**Tools required for assembly (included):** Allen key

## SAFETY INFORMATION

---

- Tighten all the screws before using.
- This planter is intended for outdoor use only. The floor may be wet when watering the plant.
- Not for use by children. Keep children and pets away from the planter.
- It's suggested to wear gloves when assembling product.

# PACKAGE CONTENTS



Part	Description	Quantity	Part	Description	Quantity
A	back panel	1	E	left short panel	1
B	front panel	2	F	left long panel	1
C	right short panel	1	G	tall frame	2
D	right long panel	1	H	short frame	4

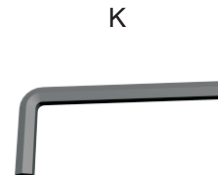
# HARDWARE CONTENTS



Bolt  
36PCS



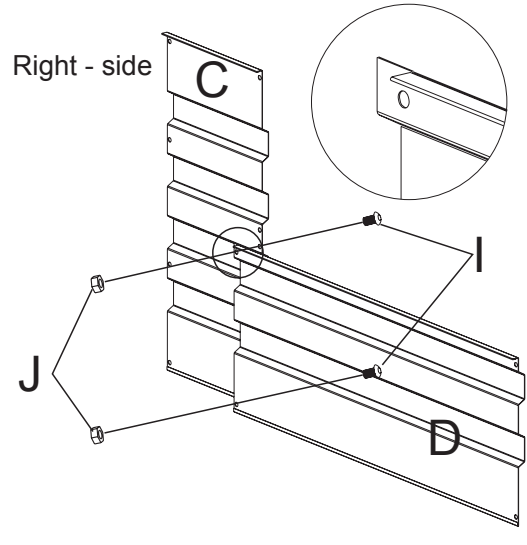
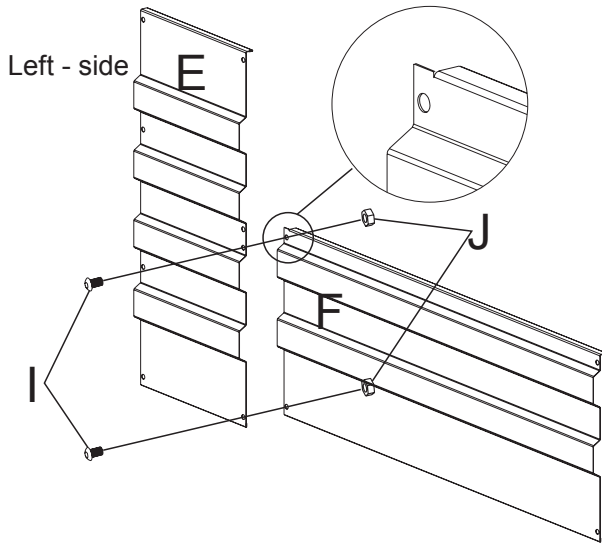
Nut  
36PCS



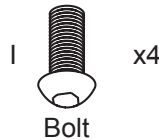
Allen key  
1PC

# ASSEMBLY INSTRUCTION

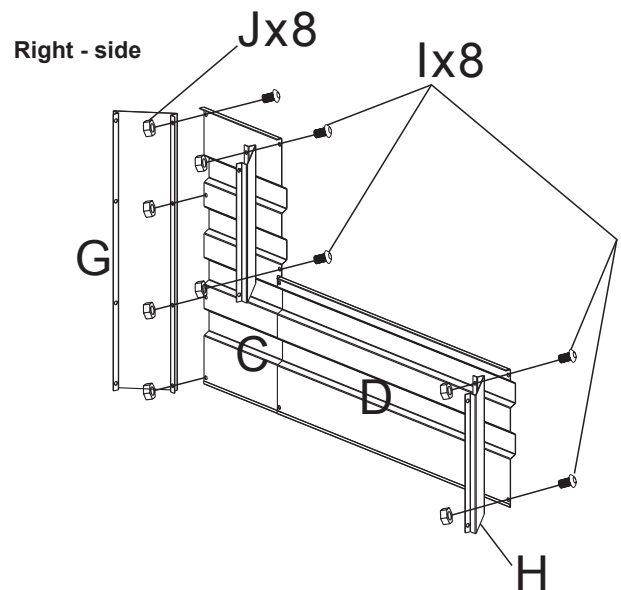
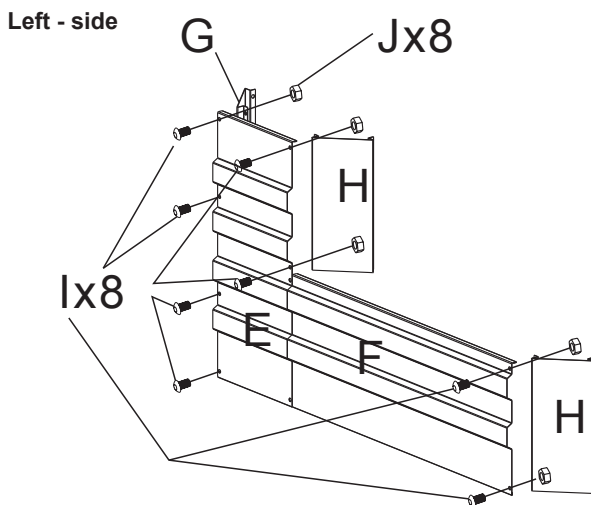
- ① Align the holes on the left long panel (F) with the bottom two holes on the left short panel (E). Attach the panels with bolts (I) and nuts (J).  
Do the same way to the right long panel (D) and right short panel (C).



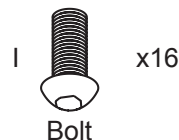
Hardware Used:



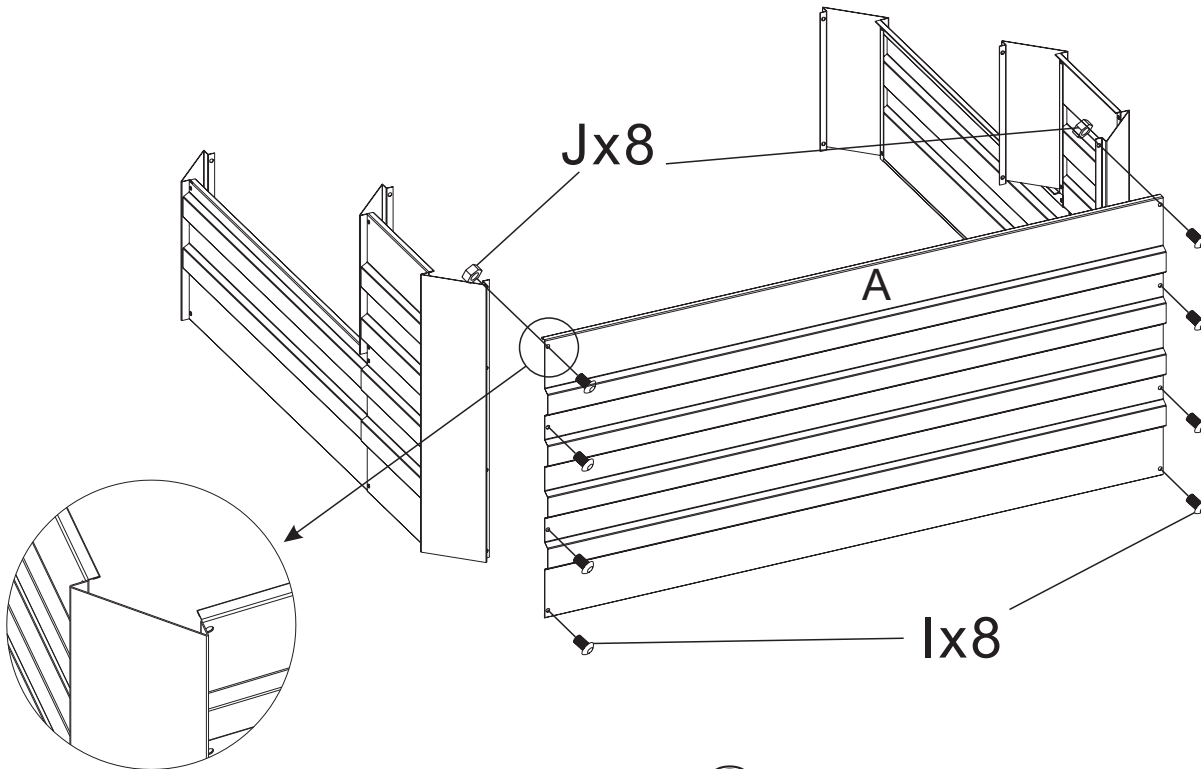
- ② Align the holes on the tall frame (G) with the holes of left short panel (E). Attach the tall frame and short panel with bolts (I) and nuts (J).  
Align the holes on the short frame (H) with the top two holes of left short panel (E) Attach the short frame and short panel with bolts (I) and nuts (J).  
Align the holes on another short frame (H) with the holes of left long panel (F). Attach the short frame and left long panel with bolts (I) and nuts (J).  
Do the same way to the tall frame (G) right short panel (C) right long panel (D) and short frame (H)



Hardware Used:

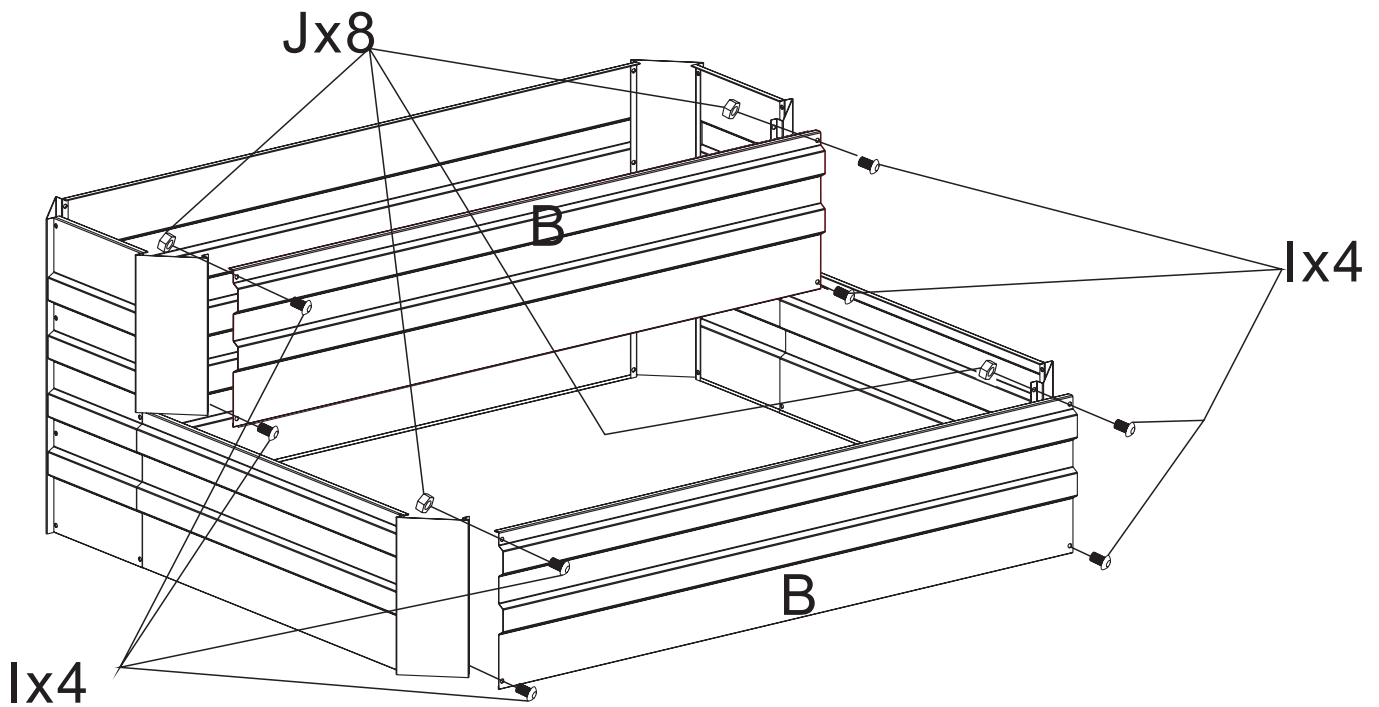


③ Attach back panel (A) to the left part and the right part with bolts (I) and nuts (J).



Hardware Used: I Bolt x8 J Nut x8

④ Attach front panels (B) to ③ with bolts (I) and nuts (J).



Hardware Used: I Bolt x8 J Nut x8