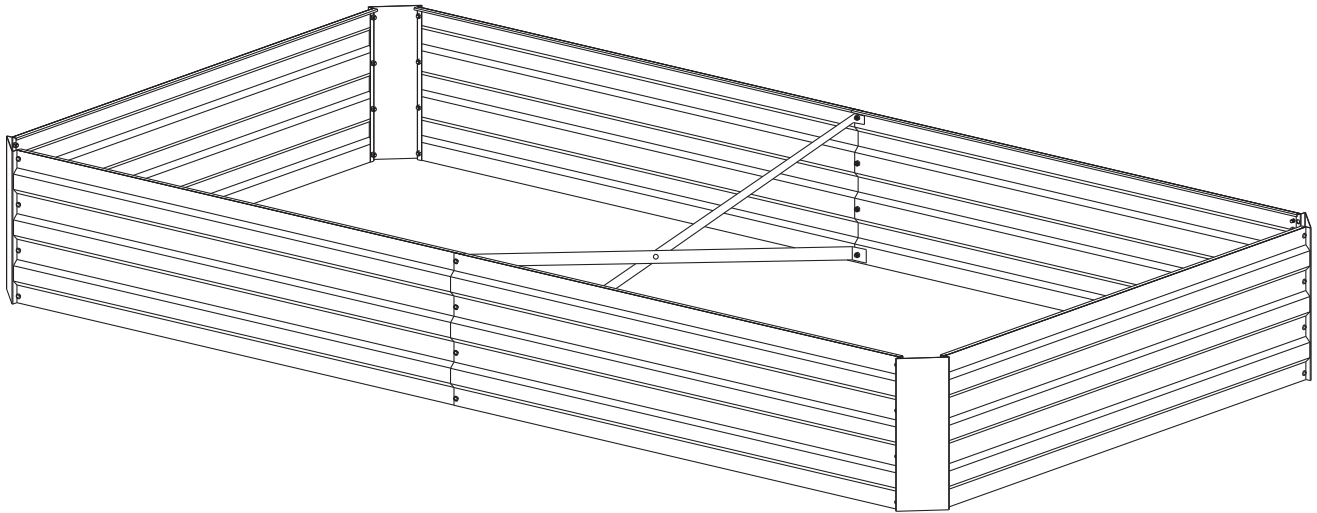


Thank you for purchasing this Winsome House product. This product has been manufactured with the highest standards of safety and quality.

<b>Product Name:</b>	Galvanized Rectangular Raised Garden Bed
<b>SKU #:</b>	WHPL1272



## PREPARATION

---

Before assembling product, make sure all parts are present. Compare parts with package contents list and hardware contents below. If any part is missing or damaged, do not attempt to assemble the product.

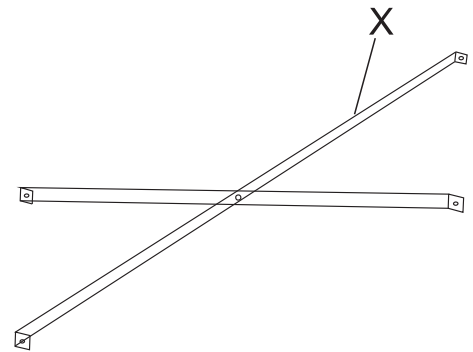
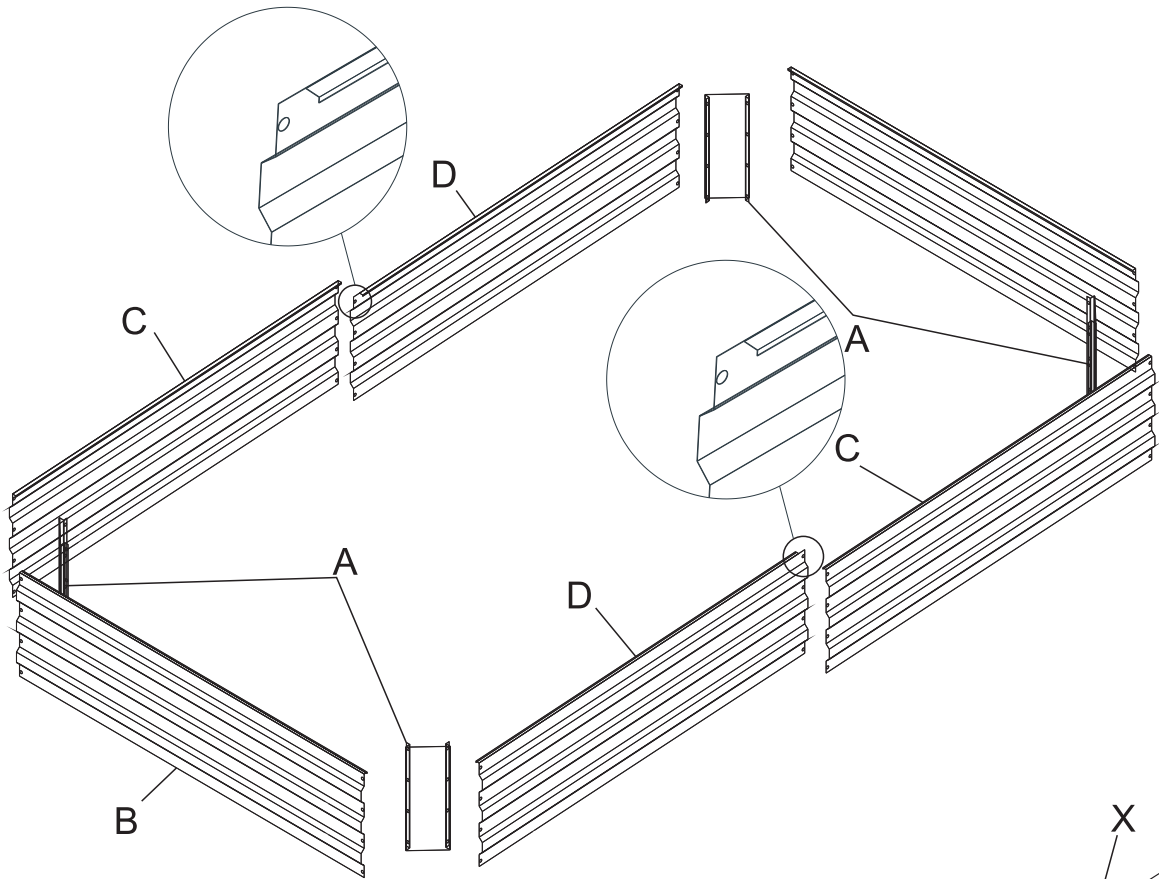
**Tools required for assembly (included):** Allen key

## SAFETY INFORMATION

---

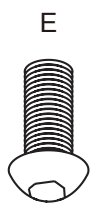
- Tighten all the screws before using.
- This planter is intended for outdoor use only. The floor may be wet when watering the plant.
- Not for use by children. Keep children and pets away from the planter.
- It's suggested to wear gloves when assembling product.

# PACKAGE CONTENTS



Part	Description	Quantity
A	frame	4
B	short panel	2
C	long panel	2
D	breached panel	2
X	X reinforcement stick	1

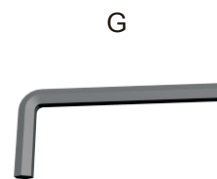
# HARDWARE CONTENTS



Bolt  
40PCS



Nut  
40PCS

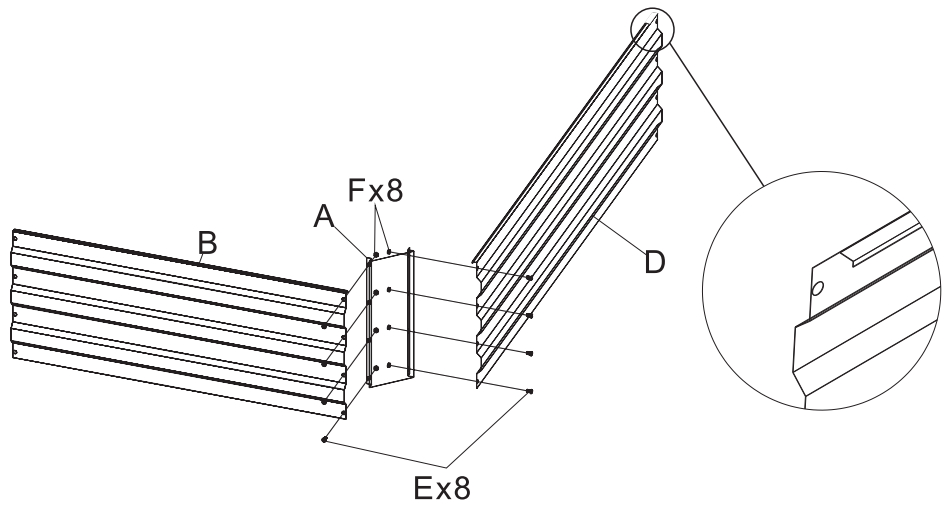




Allen key  
1PC

# ASSEMBLY INSTRUCTION

---

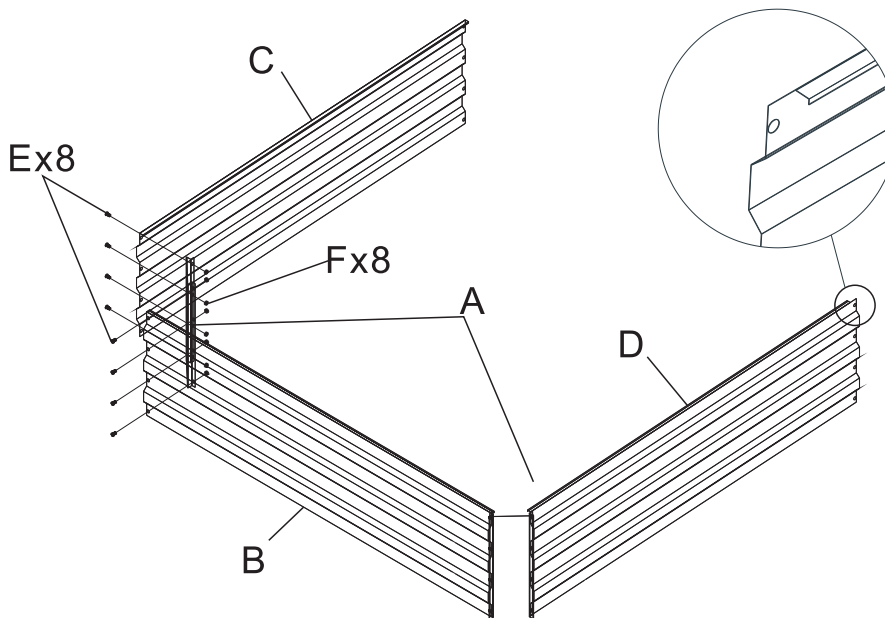
- ① Align the holes on the frame (A) with the holes on the short panel (B) and breached panel (D). Attach the frame and panels with bolts (E) and nuts(F).





Hardware Used: E  x8 Bolt F  x8 Nut

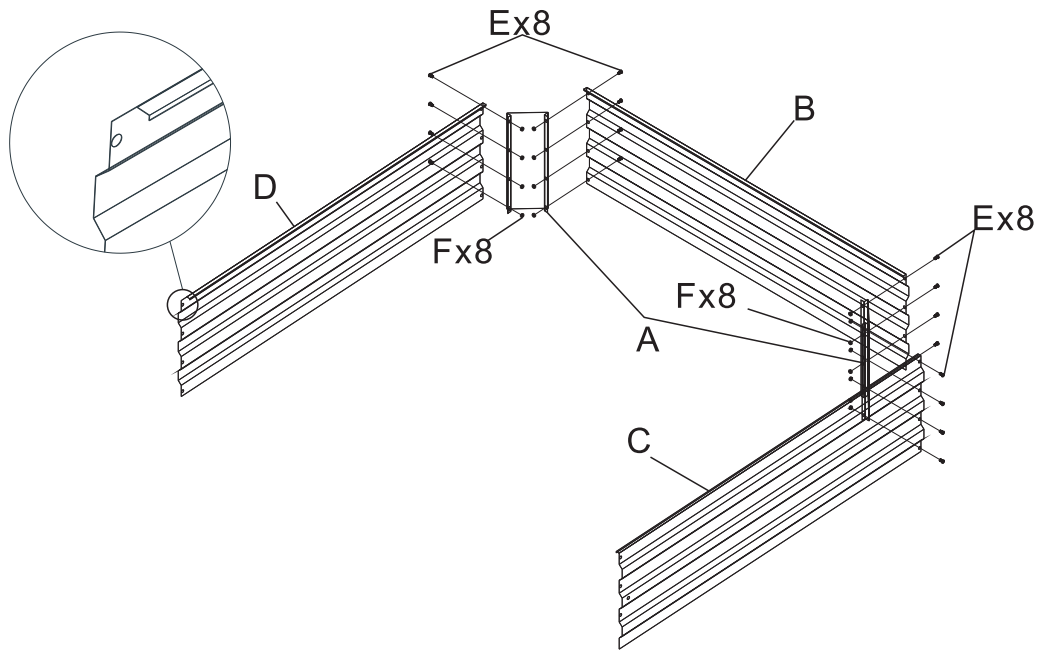
---



- ② Do the same way to short panel's (B) other end and long panel (C).



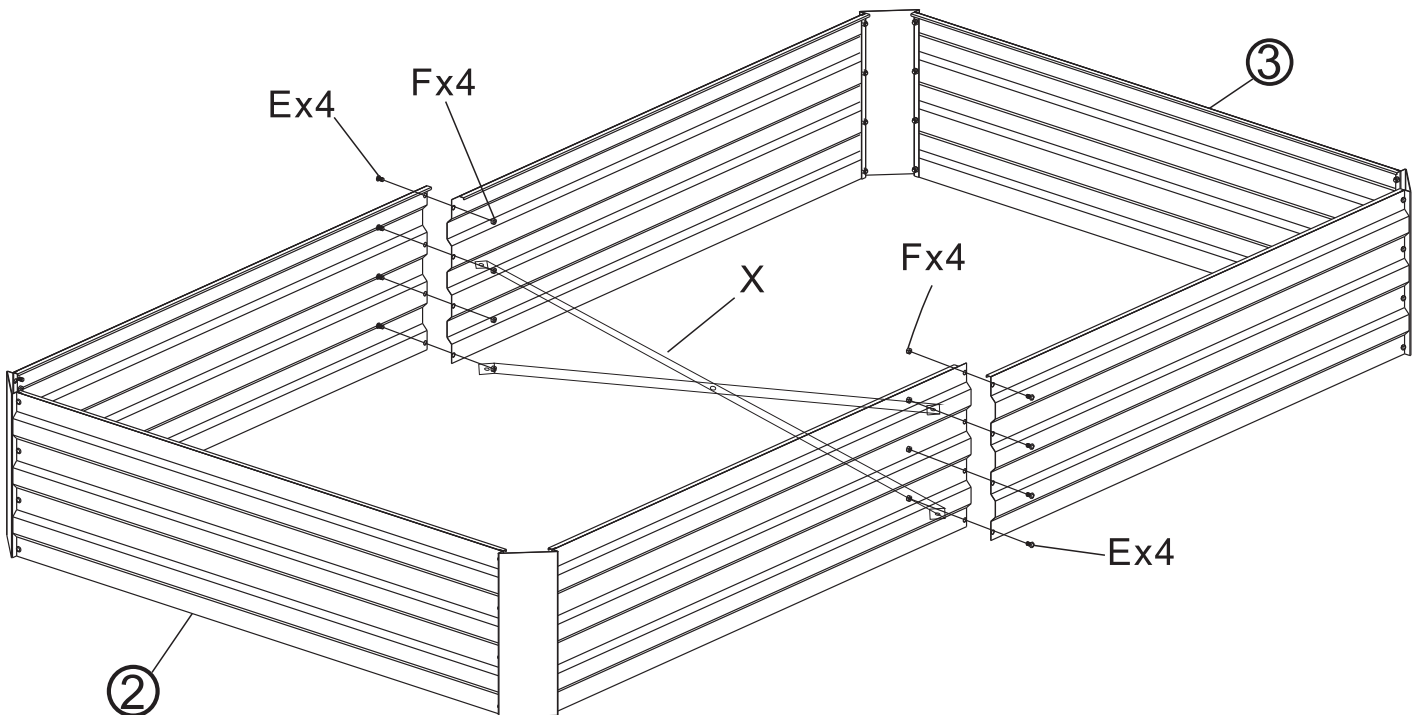
Hardware Used: E  x8 Bolt F  x8 Nut



③ Repeat Step ① and ② as the other part.



Hardware Used: E  x16 Bolt F  x16 Nut

④ Attach two parts and X reinforcement stick (X) with bolts (E) and nuts (F).



Hardware Used: E  x8 Bolt F  x8 Nut