

Product Name:	Black/Gold Metal Outdoor Wall Light
SKU #:	WHOL1335

Thank you for purchasing this Luxen Home product. This product has been manufactured with the highest standards of safety and quality.

PLEASE READ ALL INSTRUCTIONS BEFORE ASSEMBLY.

Unpack all parts from Styrofoam and bubble wrap inside the carton to ensure there are no missing or damaged parts. If any parts are missing or damaged, do not attempt to assemble or use the product.

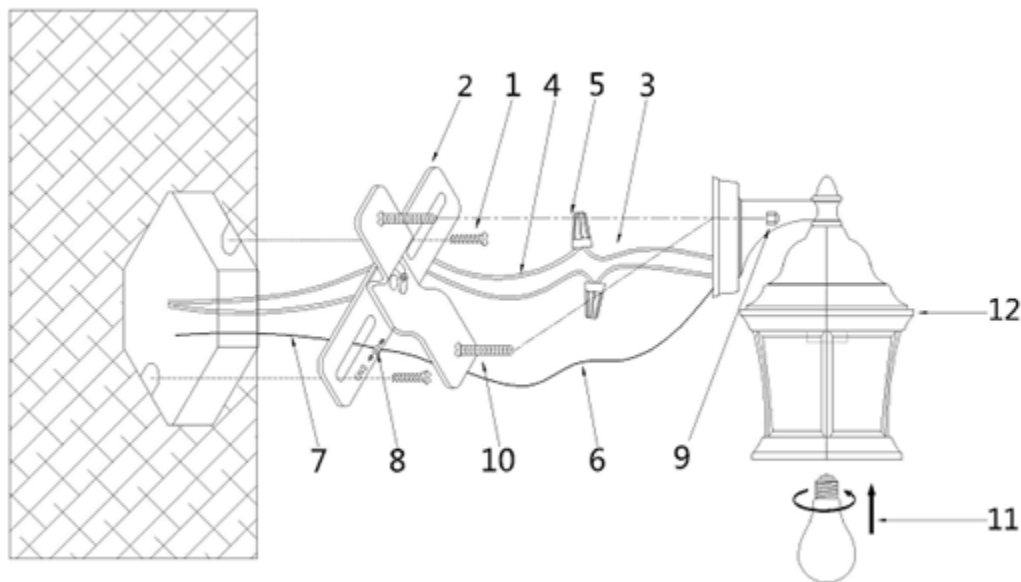
Assembly Instructions:

1. Use screws (1) to fix the bracket (2) to hold the whole piece to the junction box on the wall.
2. Connect the main wire (3) and the external wire (4) according to the positive and negative poles (5) of the battery.

Note: The black wire is the live wire, and the white wire is the neutral wire.

3. Fix the ground wire (6) and ground wire (7) to the green screws (8) separately.
4. Use the nut (9) to affix the lamp body on the screw (10) to the bracket (2).
5. Install and tighten the bulb (11) into the lamp socket (12) to complete the installation.

Note: Bulb is not included.



Note: The above diagram is for illustrative purposes only.