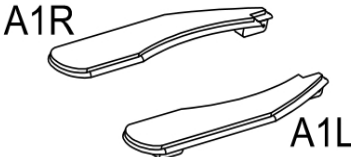
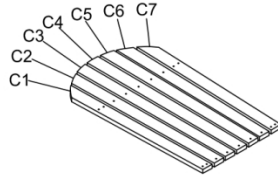
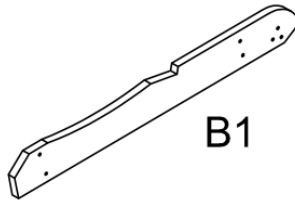
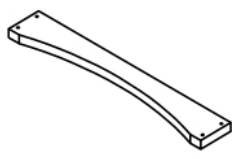
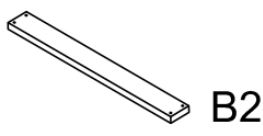
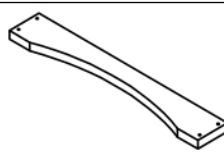
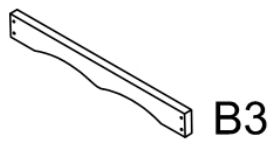

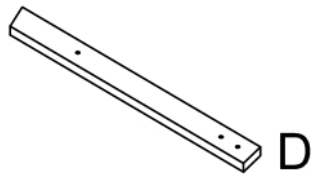
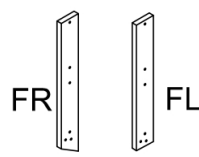


Please save this manual for future reference.


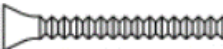




Thank you for purchasing this Winsome House product. This product has been manufactured with the highest standards of safety and quality.

Product Name:	HEMLOCK ADIRONDACK ROCKER
SKU #:	WHOF222

**Chair
Assembly:**

PARTS LIST					
ID	DESCRIPTION	QTY	ID	DESCRIPTION	QTY
A1	 <p>ARM REST</p>	2PCS	C1- C7	 <p>BACK REST PANELS</p>	7PCS
B1	 <p>BASE LEG</p>	2PCS	C8	 <p>TOP BACK REST CROSS BEAM</p>	1PC
B2	 <p>SEAT SLATS</p>	6PCS	C9	 <p>BOTTOM BACK REST CROSS BEAM</p>	1PC
B3	 <p>FRONT SEAT SLAT</p>	1PC	E	 <p>ROCKING BARS</p>	2PC
D	 <p>CENNECTING BARS</p>	2PCS	F	 <p>FRONT LEG</p>	2PCS

HARDWARE LIST

ID	DESCRIPTION	QTY	ID	DESCRIPTION	QTY
①	 3.5*35mm	46PCS+2	②	 3.5*40mm	8PCS
③	 ø6*50mm	8PCS	④	 ø6*60mm	16PCS
	WRENCH	1PC		SCREWDRIVER	1PC

Important:

- Please assemble strictly in accordance with instruction.
 - Please double-check to ensure that all parts of the package contents intact.
 - Please note that weight capacity for this chair is 330lbs.
 - When assembling Adirondack chair, please handle all panels and/or hardware with care to avoid any possibilities of damages and/or injuries.
 - Do not completely tighten any bolts until the unit is fully assembled and sitting on a level surface.
- Tighten each bolt nuts firmly. Do not over tighten any bolt nuts as this may cause stripping.

Final Assembly



ASSEMBLY INSTRUCTION STEPS

1

C4
C8
C9

① x2

2

C1
C7

① x8

3

C2
C3
C5
C6

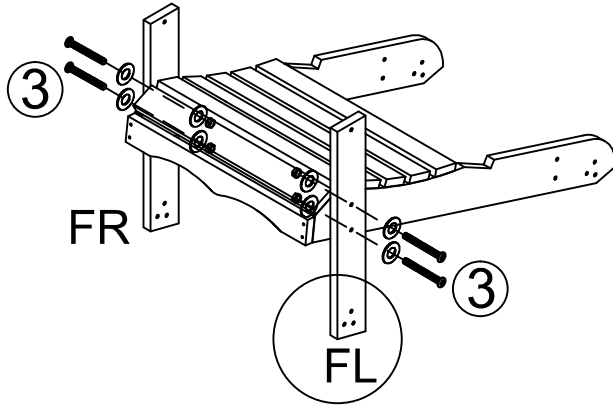
① x8

4

B1
B2
B3

① x28

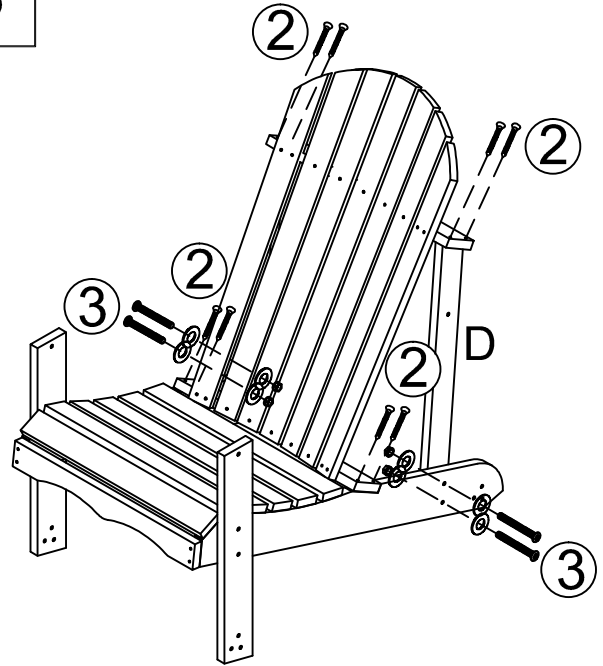
5



Please note: The three hole end is angled at the bottom and is not a flat end.

③x4

6

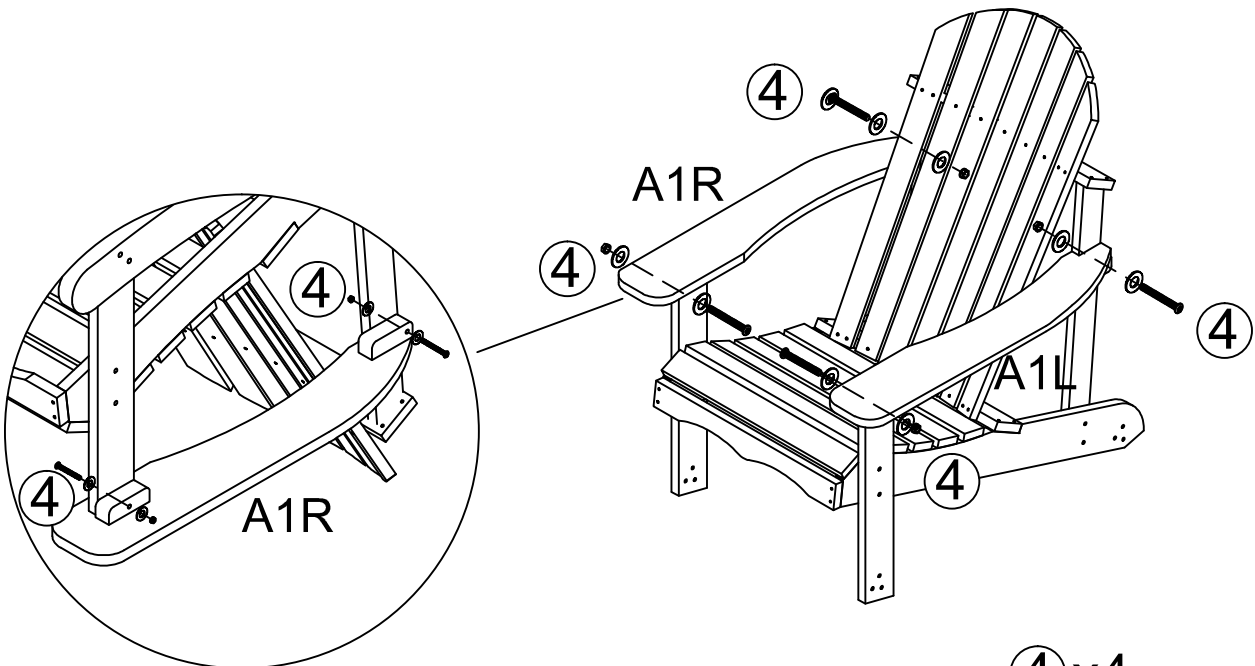


Please note: Multiple attempts to screw in this piece can cause a wide hole, resulting in a loose assembly. It is recommended to only screw in once.

②x8

③x4

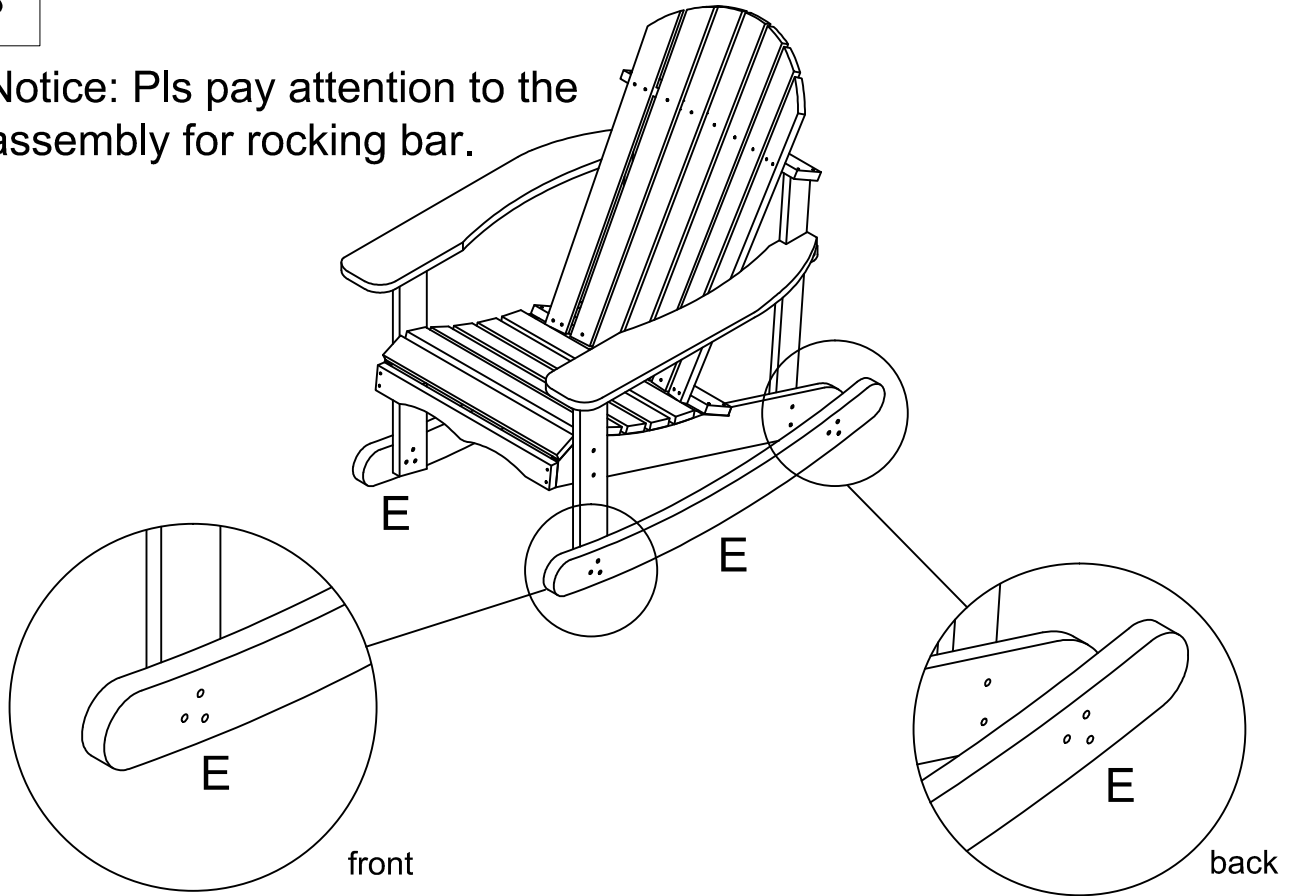
7



④x4

8

Notice: Pls pay attention to the assembly for rocking bar.



9

