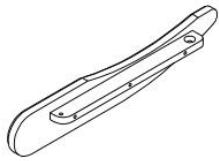


Product Name:	Hemlock Adirondack USA Flag Patriotic Outdoor Chair
SKU#:	WHOF1590

Thank you for purchasing this Luxen Home product. This product has been manufactured with the highest standards of safety and quality.

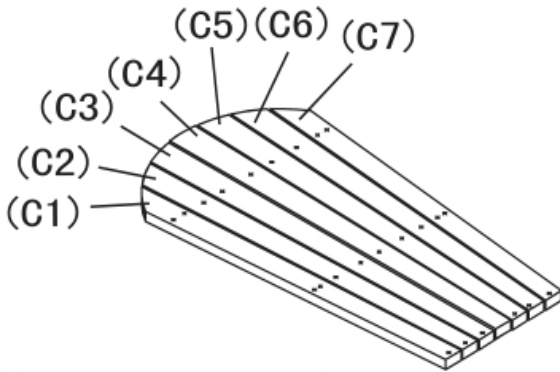
CHAIR COMPONENTS



AR: Right Arm Rest



AL: Left Arm Rest



Back Rest Panels



Top Back Rest Cross Beam (C8)



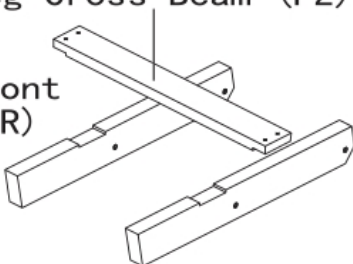
Middle Back Rest Cross Beam (C9)



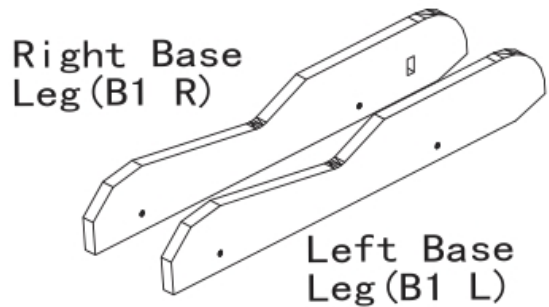
Bottom Back Rest Cross Beam (C10)

Front Leg Cross Beam (F2)

Right Front Leg (F1 R)



Left Front Leg (F1 L)

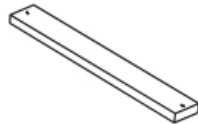


Right Base Leg (B1 R)

Left Base Leg (B1 L)



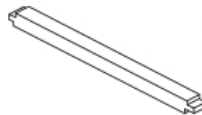
Bass Bottom Support (B4)



Seat Slats (B5) x5



Front Seat Slat (B3)



Base Legs Cross Beam (B2)



Arm Rest Connection (D) x2



Folding Bracket (E) x2

Product Name:	Hemlock Adirondack USA Flag Patriotic Outdoor Chair
SKU#:	WHOF1590

HARDWARE



(53PCS + 3 spare)



(4 PCS + 1 spare)



(6 PCS + 1 spare)



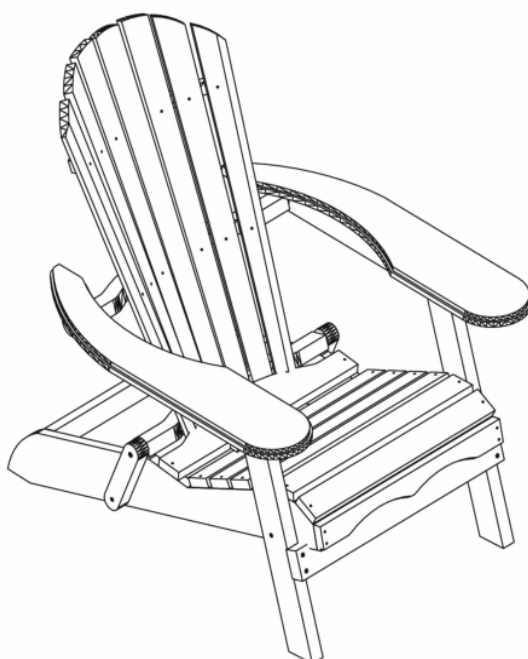
(1 PC)

CARE INSTRUCTIONS

This is an Unfinished, Solid Fir Wood Adirondack Chair. It is **HIGHLY RECOMMENDED** that you treat the chair with a **WEATHERPROOF COATING (stain or paint)** before use, and continued once a year, to increase the life expectancy and maintain the look of the chair. Please consult with your local hardware store on the weatherproof coating options for the chair.

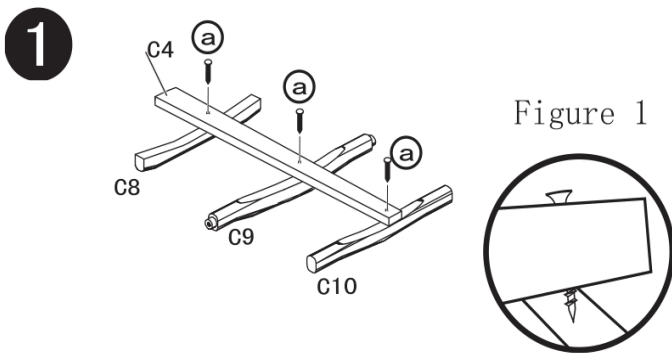
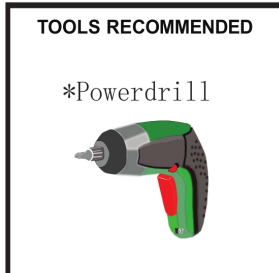
- Cover the Adirondack Chair during harsh weather to keep it from weathering.
- Please assemble strictly in accordance with instruction.
- Please note that weight capacity for this chair is 330lbs.
- When assembling Adirondack chair, please handle all panels and/or hardware with care to avoid any possibilities of damages and/or injuries.

Final Assembly

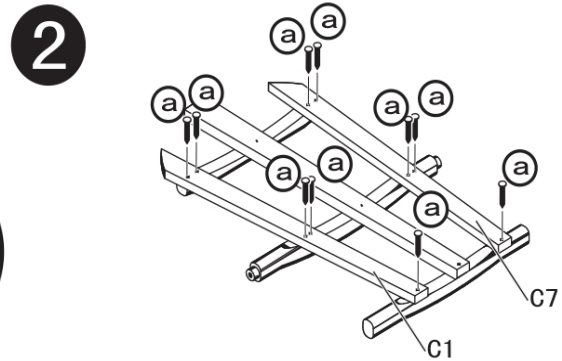


Product Name:	Hemlock Adirondack USA Flag Patriotic Outdoor Chair
SKU#:	WHOF1590

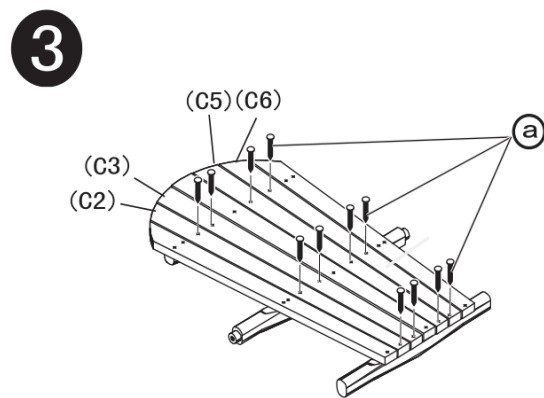
Note: Read all instruction before starting. Assembly the screws slower, or the wood will easily split.
Do not completely tighten all bolts until the unit is fully assembled.



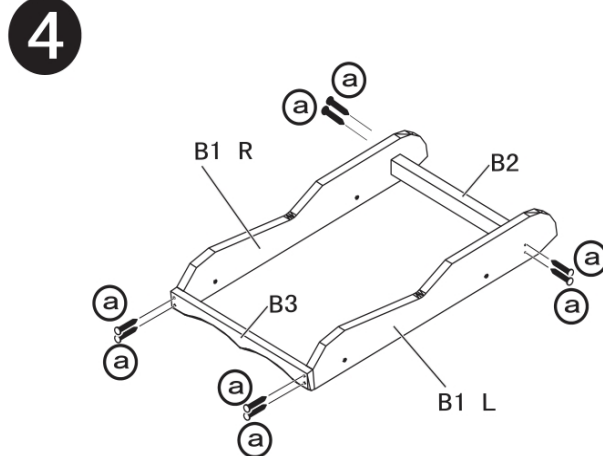
- ◇ Place Back Rest Cross Beams in order.
- ◇ Insert (a) screws partially through Back Rest Panel C4. See Figure 1.
- ◇ Position screw ends on pre-marked center points on Back Rest Cross Beams.
- ◇ Secure into place.



- ◇ Position Back Rest Panels C1 and C7 into place with (a) screws and secure.



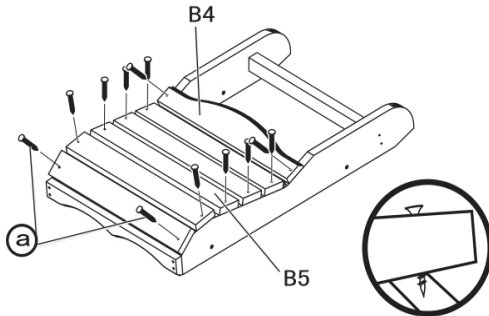
- ◇ Position remaining Back Rest Panels into place with (a) screws and secure.



- ◇ Insert Base Leg Cross Beam (B2) into Left and Right Base Legs (B1 L & B1 R).
- ◇ Secure with (a) screws.
- ◇ Secure Front Seat Slat (B3) to Base Legs with (a) screws.

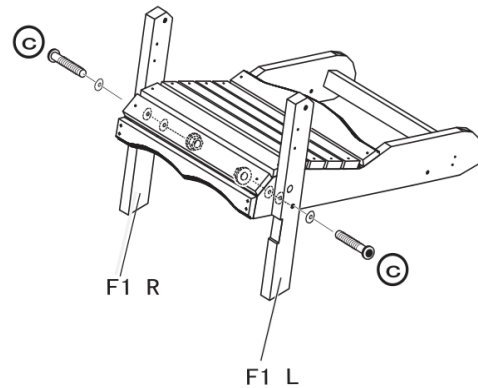
Product Name:	Hemlock Adirondack USA Flag Patriotic Outdoor Chair
SKU#:	WHOF1590

5



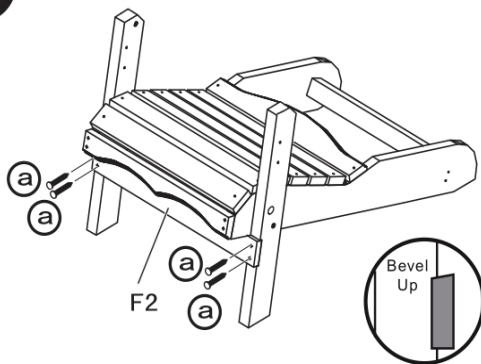
- ◇ Position Base Bottom Support (B4) into place on Base Legs and secure with (a) screws.
- ◇ Position all 5 Seat Slats (B5) into place and secure with (a) screws.

6



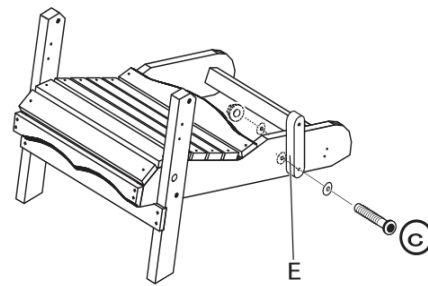
- ◇ Attach Left and Right Front Legs (F1 L & R) to seat base using (c) bolts
- ◇ Note the position of the washers.
- ◇ Do not tighten bolts completely.

7



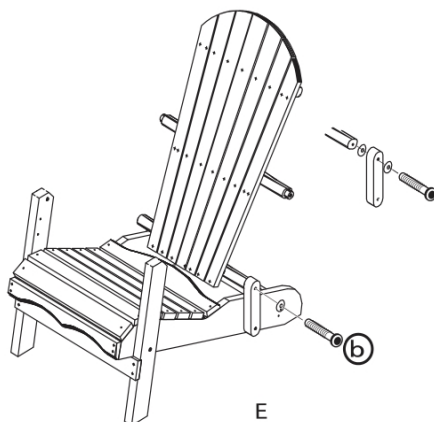
- ◇ Position Front Leg Cross Beam (F2) into place on Front Legs and secure with (a) screws.
- ◇ Note that the beveled edge of the front leg cross beam faces the top of the chair.

8

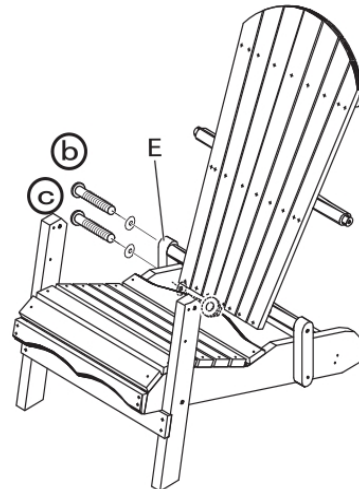


- ◇ Assemble one Folding Bracket (E) using (c) bolt with washers and nut.
- ◇ Note the position of the washers.
- ◇ Do not tighten bolt completely.

9

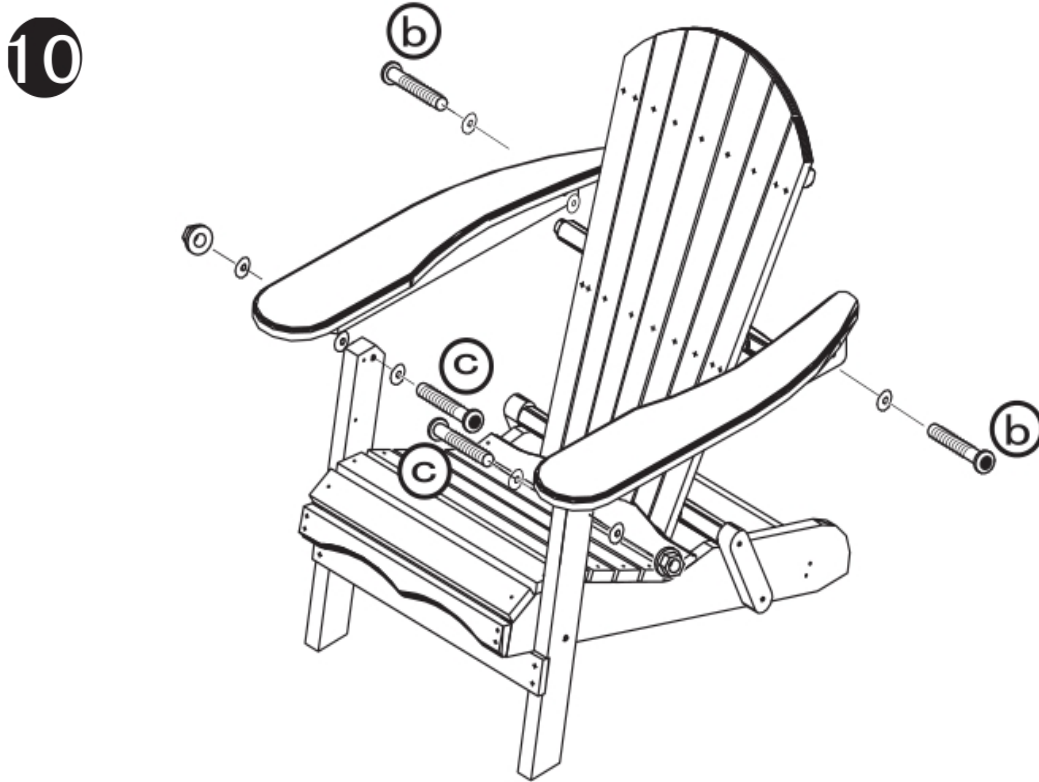


- ◇ Insert Bottom Back Rest Cross Beam into Folding Bracket and secure with (b) bolt with washer.
- ◇ Note the position of the washers.
- ◇ Do not tighten bolt completely.

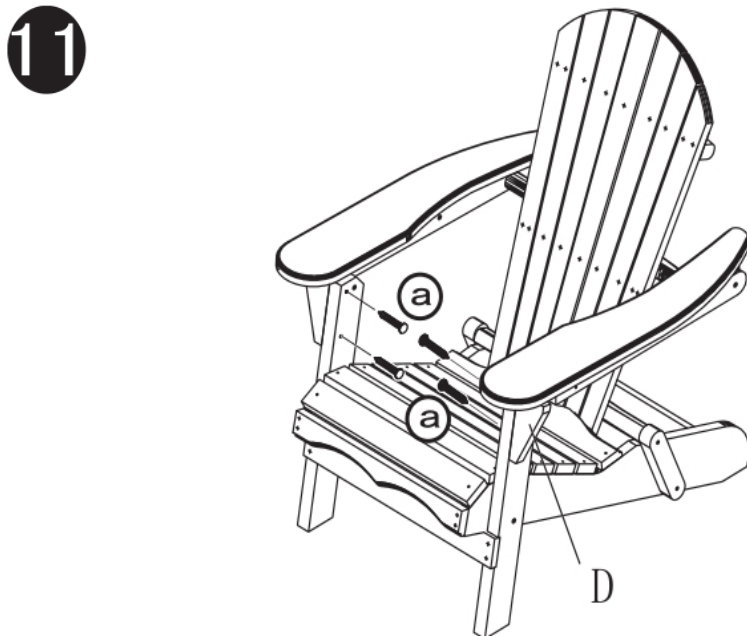


- ◇ Assemble remaining Folding Bracket onto other side using (c) and (b) bolts.
- ◇ Note the position of the washers.
- ◇ Do not tighten bolt completely.

Product Name:	Hemlock Adirondack USA Flag Patriotic Outdoor Chair
SKU#:	WHOF1590



- ◇ Secure back end of Right Arm Rest (AR) to the Middle Back Rest Cross Beam using (b) bolt with washer.
- ◇ Secure front end of Right Arm Rest to Front Leg using (c) bolt with washers and nut.
- ◇ Note the position of the washers.
- ◇ Repeat for Left Arm Rest.
- ◇ Do not tighten bolts completely.



- ◇ Secure Arm Rest Connections (D) at the front of the Left and Right Arm Rests using (a) screws.
- ◇ **TIGHTEN ALL BOLTS COMPLETELY** with chair on level surface.