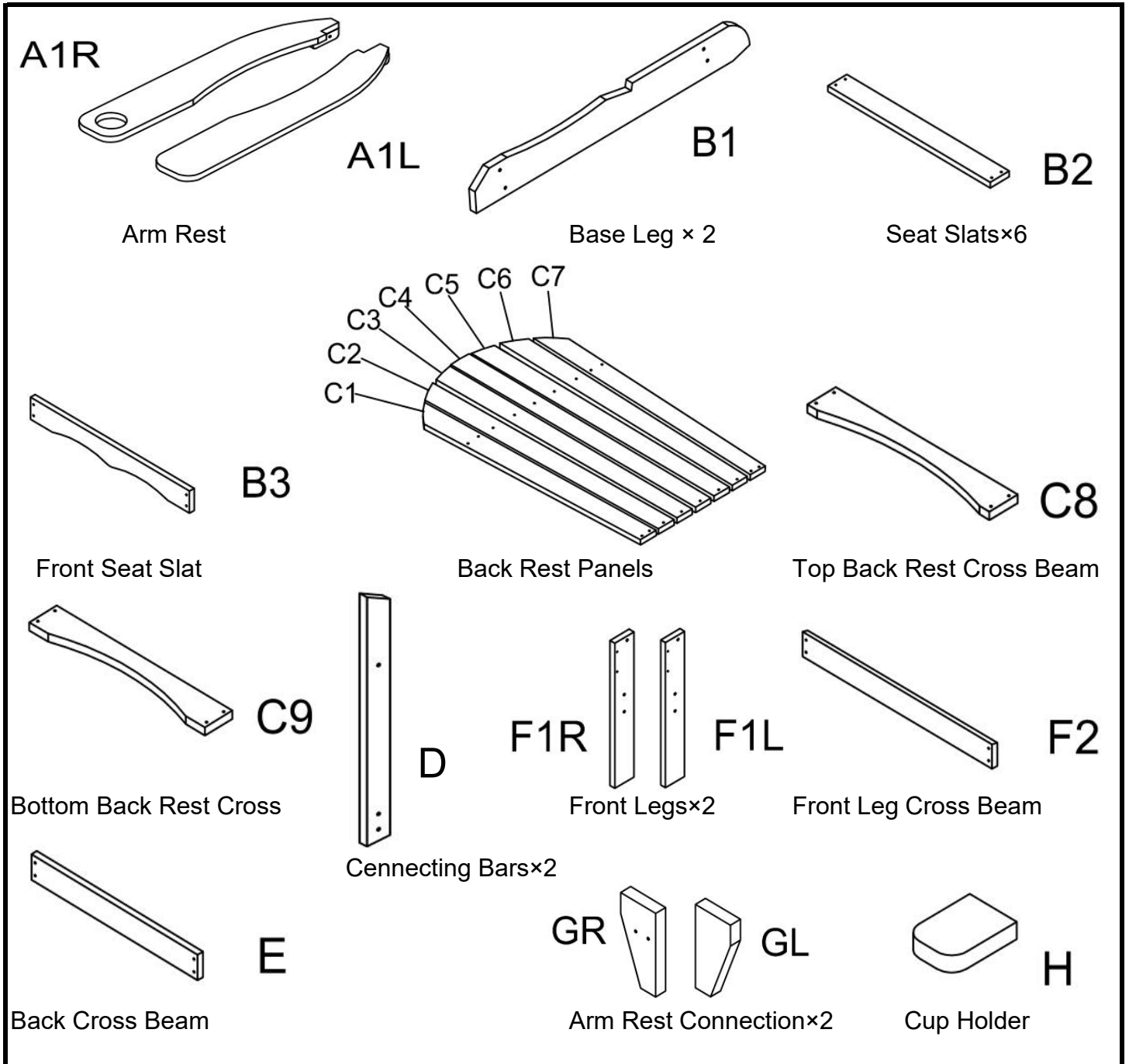


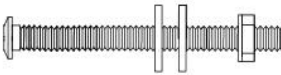
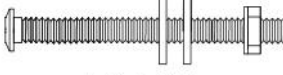



|                      |  |
|----------------------|--|
| <b>Product Name:</b> | Hemlock Adirondack Outdoor Chair with Cup Holder |
| <b>SKU#:</b>         | WHOF1589   |

Thank you for purchasing this Luxen Home Product. This Product has been manufactured with the highest standards of safety and quality.



|                      |  |
|----------------------|--|
| <b>Product Name:</b> | Hemlock Adirondack Outdoor Chair with Cup Holder |
| <b>SKU#:</b>         | WHOF1589   |

| HARDWARE LIST  |  |
|--|--|
| ① <br>3.5*35mm<br>(54PCS+4 spare) | ② <br>3.5*40mm<br>(14PCS) |
| ③ <br>ø6*50mm<br>(8PCS)           | ④ <br>ø6*60mm<br>(4PCS)   |
| <br>(1PCS)                      |  |

### Important:

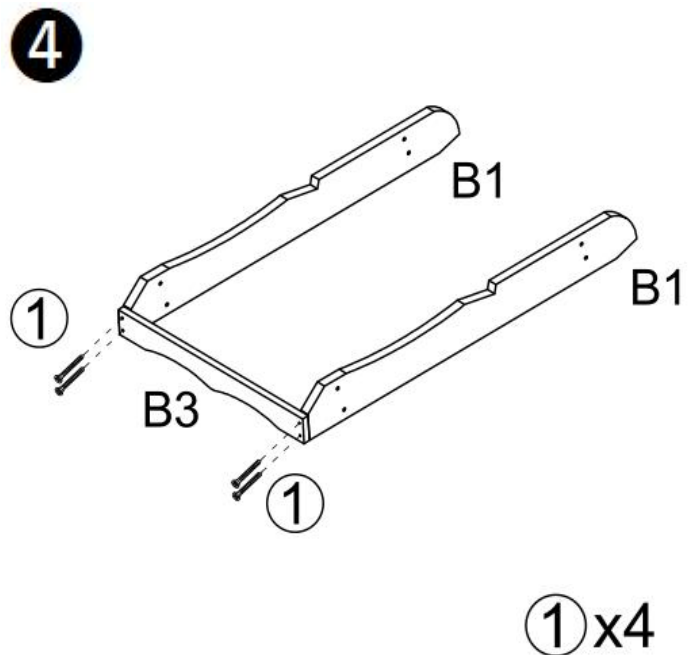
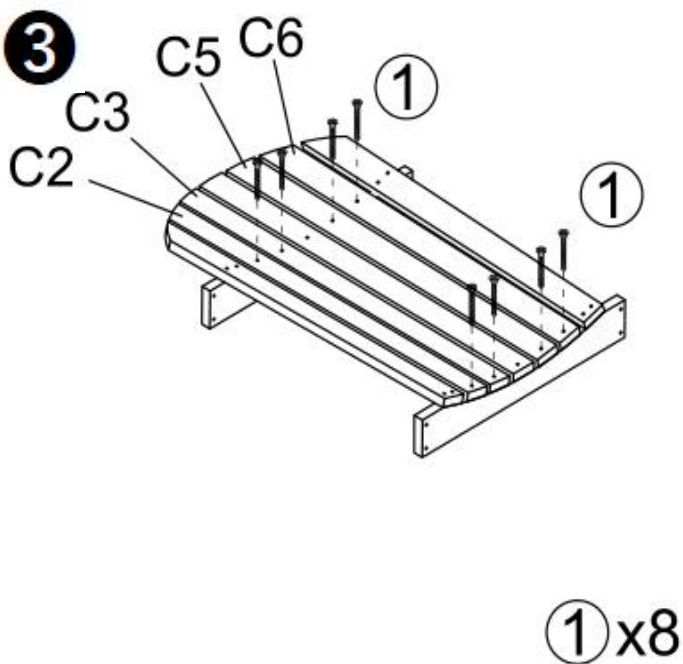
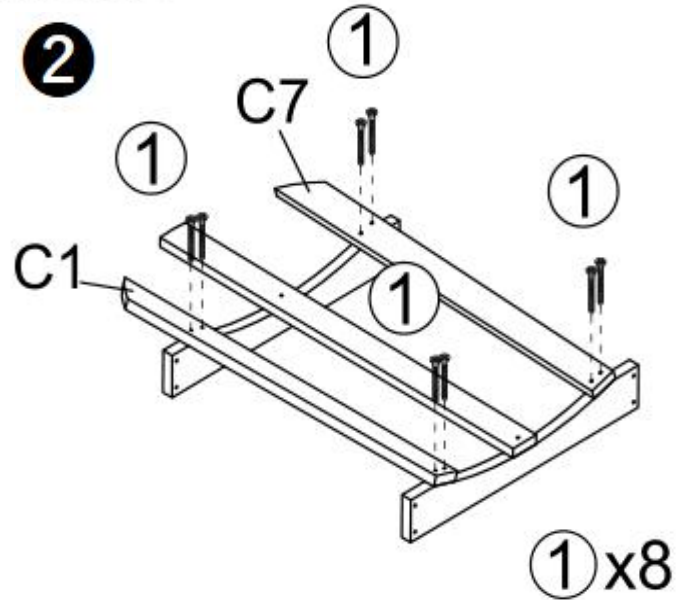
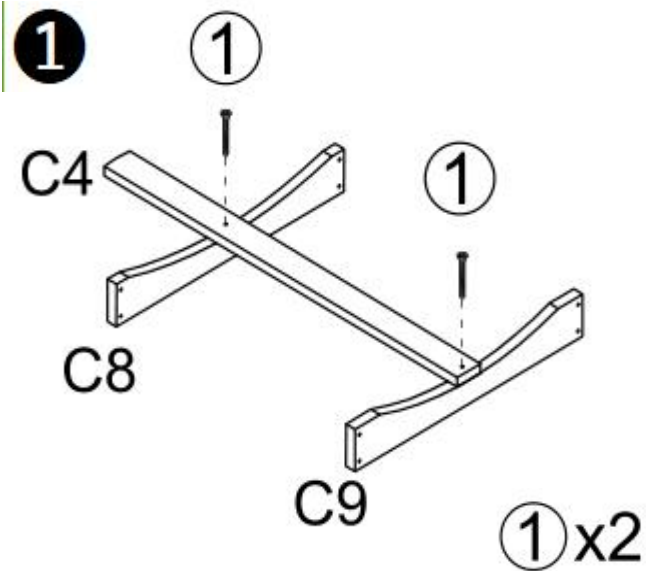
- Please assemble strictly in accordance with instruction.
- Please double-check to ensure that all parts of the package contents intact.
- Please note that weight capacity for this chair is 330lbs.
- When assembling Adirondack chair, please handle all panels and/or hardware with care to avoid any possibilities of damages and/or injuries.
- Do not completely tighten any bolts until the unit is fully assembled and sitting on a level surface. Tighten each bolt nuts firmly. Do not over tighten any bolt nuts as this may cause stripping.

## Final Assembly

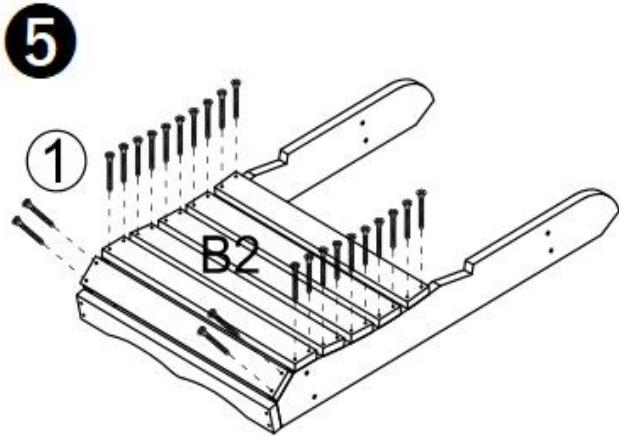


|                      |  |
|----------------------|--|
| <b>Product Name:</b> | Hemlock Adirondack Outdoor Chair with Cup Holder |
| <b>SKU#:</b>         | WHOF1589   |

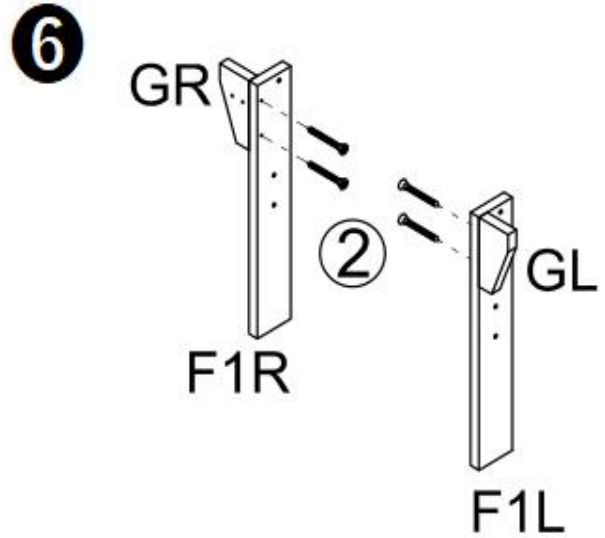
## ASSEMBLY INSTRUCTION STEPS



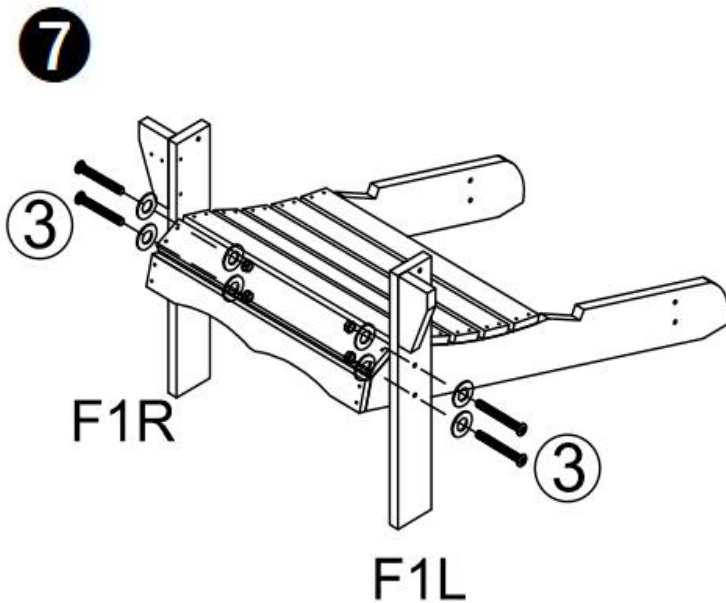
|                      |  |
|----------------------|--|
| <b>Product Name:</b> | Hemlock Adirondack Outdoor Chair with Cup Holder |
| <b>SKU#:</b>         | WHOF1589   |



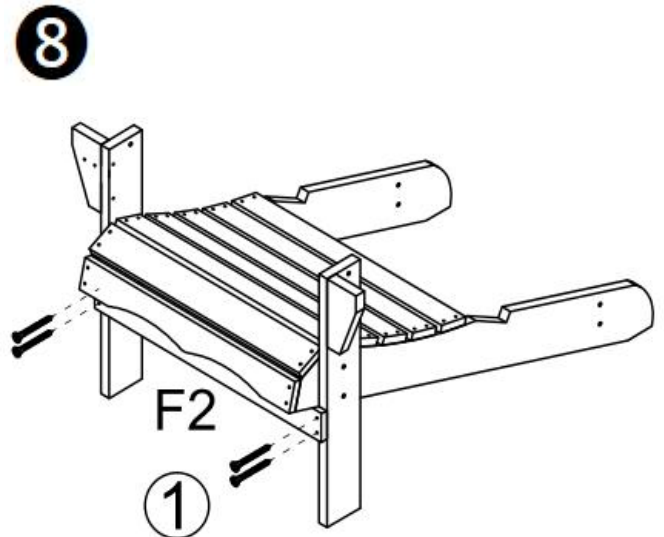
① x24



② x4

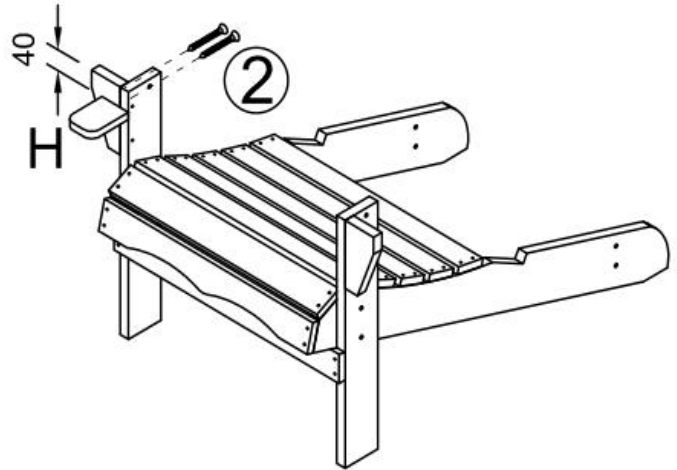
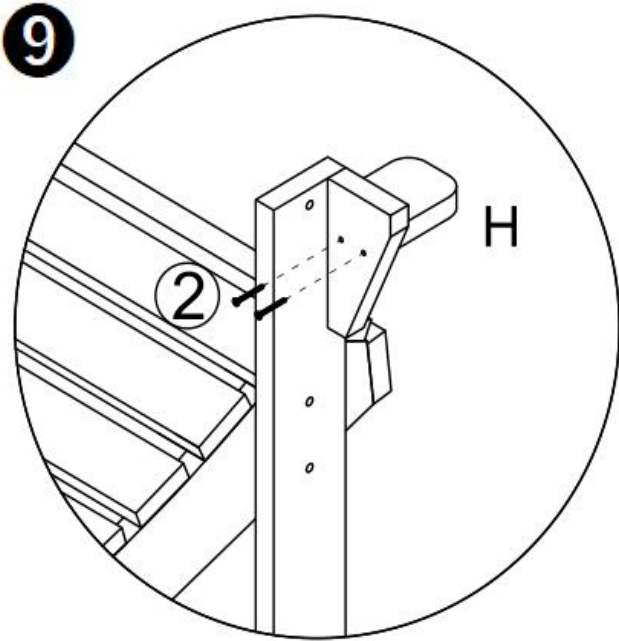


③ x4

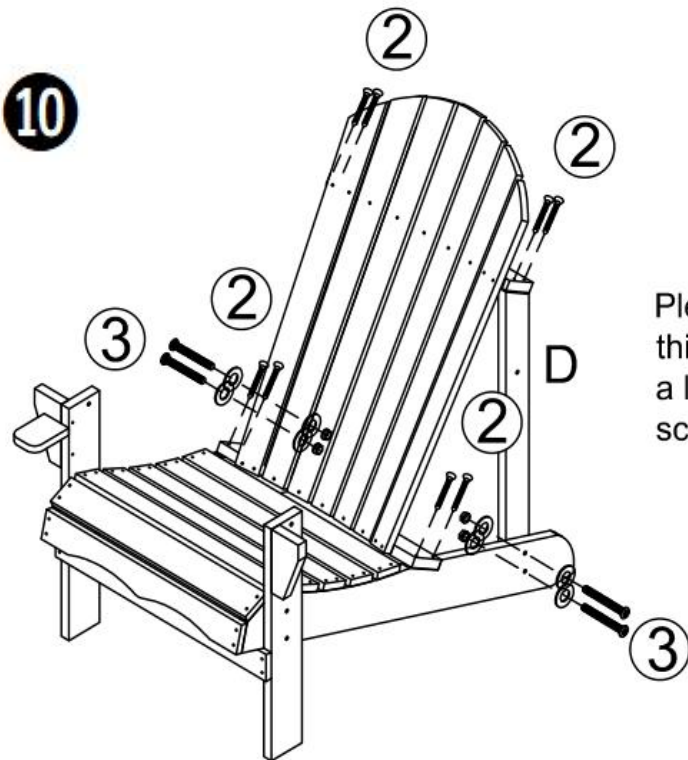


① x4

|                      |  |
|----------------------|--|
| <b>Product Name:</b> | Hemlock Adirondack Outdoor Chair with Cup Holder |
| <b>SKU#:</b>         | WHOF1589   |



②x2

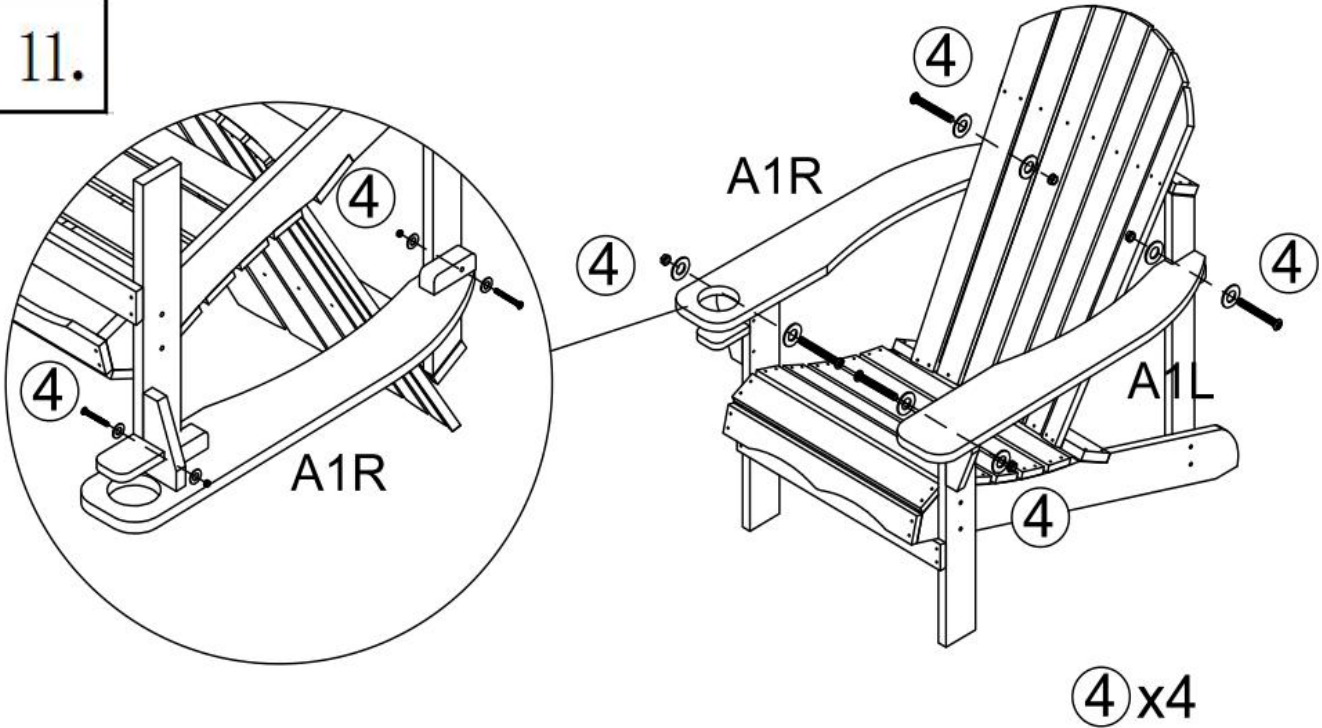


Please note: Multiple attempts to screw in this piece can cause a wide hole, resulting in a loose assembly. It is recommended to only screw in once.

②x8 ③x4

|                      |  |
|----------------------|--|
| <b>Product Name:</b> | Hemlock Adirondack Outdoor Chair with Cup Holder |
| <b>SKU#:</b>         | WHOF1589   |

11.



12.

