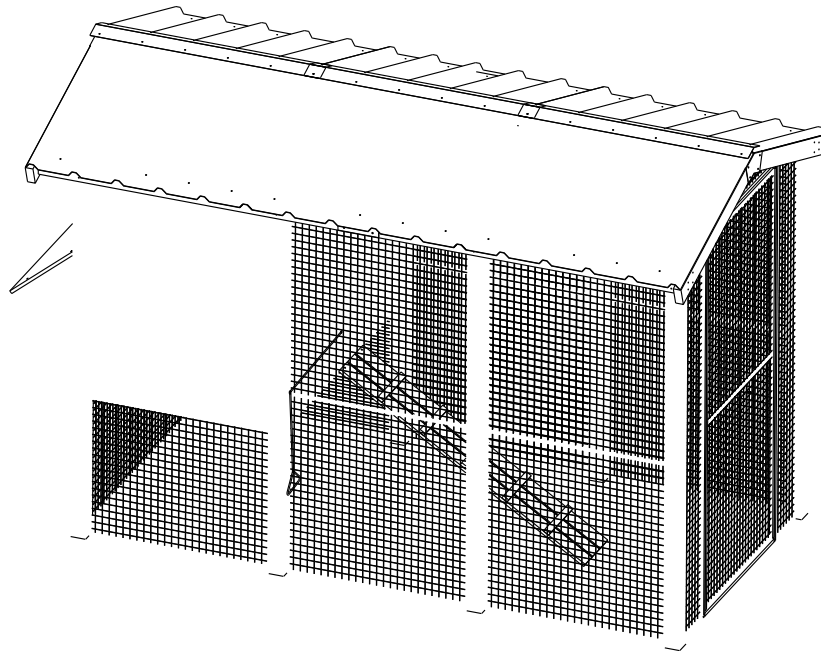


PP CHATEAU CHICKEN COOP ASSEMBLY MANUAL



SKU# 2015286





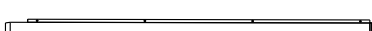


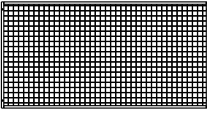
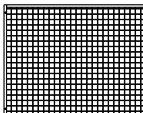
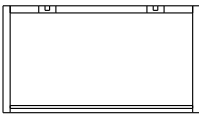
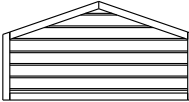
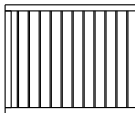
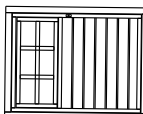


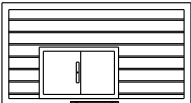
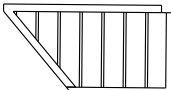


Tools required for assembly (not included)

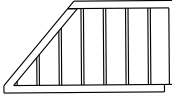
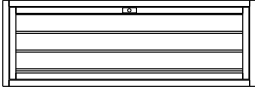

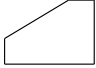

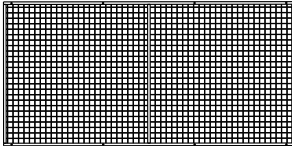
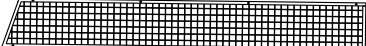
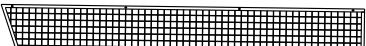
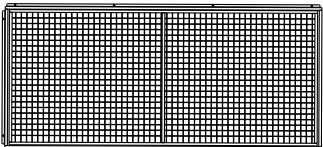


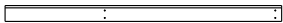





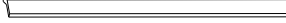
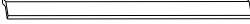
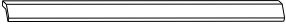


Distributed by: TRACTOR SUPPLY COMPANY
5401 VIRGINIA WAY, BRENTWOOD, TN 37027
For customer support, call: 1-888-376-9601
www.TractorSupply.com
MADE IN CHINA


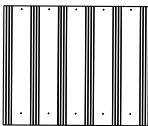
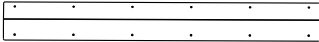

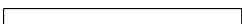
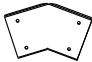
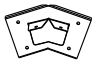


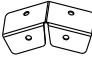
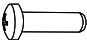
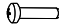

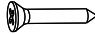
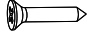
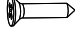
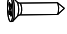

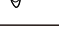


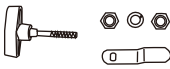

PARTS LIST

Part#	Description	Drawing	Qty.
1	Post 1		1
2	Post 2		1
3	Post 3		1
4	Post 4		1
5	Post 5		2
6	Post 6		1
7	Post 7		1
8	Coop Bottom Mesh-Back		1
9	Coop Bottom Mesh-Side		2
10	Coop Back Frame - Bottom		1
11	Coop Back Panel - Top		2
12	Coop Right Panel		1
13	Coop Left Panel		1
14	Coop Bottom Floor		1
15	PVC Board		1
16	Coop Front Panel - Bottom		1
17	Nesting Box Right Panel		1

PARTS LIST

Part#	Description	Drawing	Qty.
18	Nesting Box Left Panel		1
19	Nesting Box Back Panel		1
20	Nesting Box Floor		1
21	Nesting Box Divider		3
22	Nesting Box Roof		1
23	Pen Mesh Panel		4
24	Pen Front Right Panel		1
25	Pen Front Left Panel		1
26	Pen Door Panel		1
27	Pen Top Triangle Panel		1
28	Right Shoulder Brace 1		1
29	Left Shoulder Brace 1		1
30	Right Shouder Brace 2		1
31	Left Shoulder Brace 2		1
32	Roof Support 1		2
33	Roof Support 2		2
34	Roof Support 3		2
35	Roof Ridge 1		1
36	Roof Ridge 2		1
37	Roof Ridge 3		1

PARTS LIST

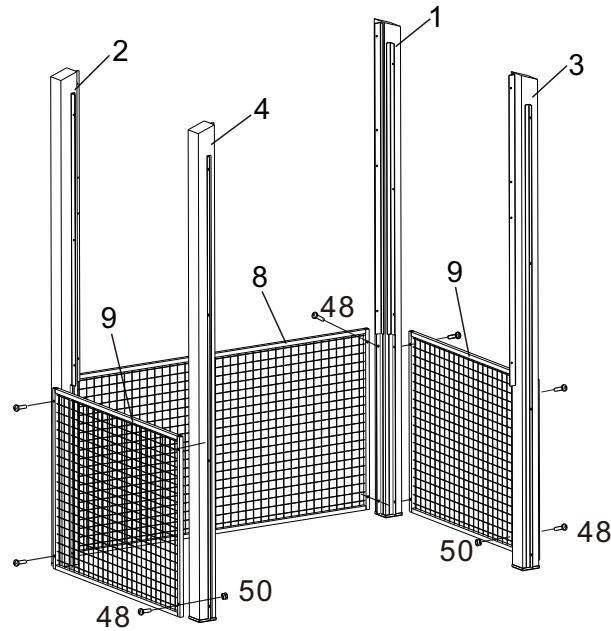
Part#	Description	Drawing	Qty.
38	Roof Ridge 4		1
39	Roof Panel		6
40	Roof Ridge Metal Cover		3
41	Ramp		1
42	Roosting Bar		4
43	Roof Support Connector 1		2
44	Roof Support Connector 2		4
45	Shoulder Brace Connector		2
46	Sliding Door Helper		1
47	Roof Support Connector 3		4
48	M6x30 Bolt		66+1
49	M4x20 Bolt		1
50	M6 Nut		66+1
51	Self-tapping screw 4x60		32
52	Self-tapping screw 4x50		8
53	Self-tapping screw 4x40		4
54	Self-tapping screw 4x30		36+2
55	Self-tapping screw 3.5x20		52+3
56	Self-tapping screw 4x19		92+3
57	Coop Door Lock		1
58	Panel Door Latch		1
59	T-handle Lock with Longer tongue		1
60	T-handle Lock with short tongue		1

ASSEMBLY

Step 1

- Attach Coop Bottom Mesh-Back (#8) and 2pcs Coop Bottom Mesh-Side (#9), between the 4 Posts (#1, #2, #3, & #4) by M6x30 Bolt (#48) and M6 Nut (#50).

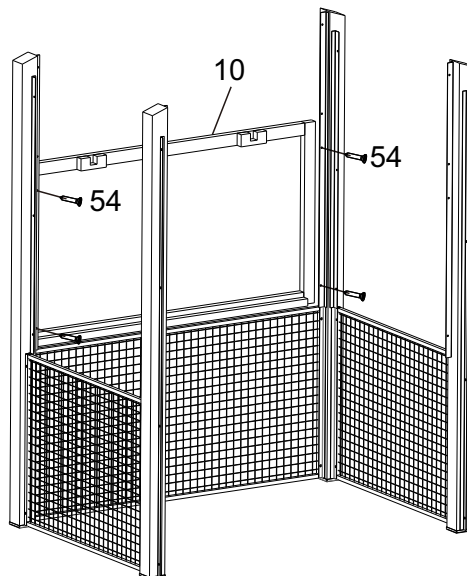
Note: Please pay attention to the post direction, and also make sure all the panels are in same level.



Step 2

- Assemble the Coop Back Frame-Bottom (#10) with 4pcs Self-tapping Screw 4x30 (#54).

Note: Make sure #10 sits on #8 without any gap in between.

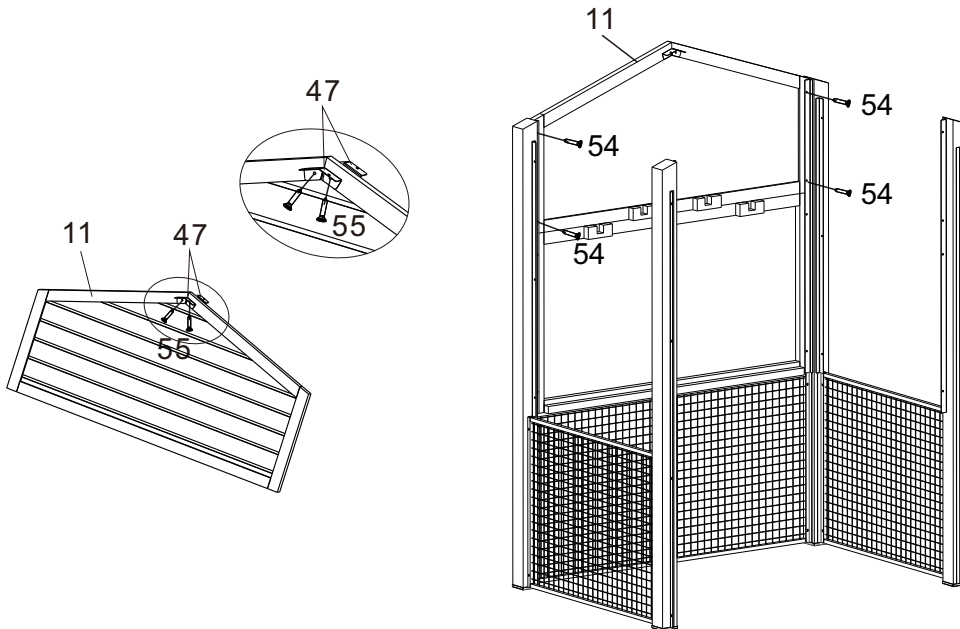


Step 3

- Take 2pcs Coop Back Panel - Top (#11) and 4pcs of Roof Support Connector 3 (#47). Fix 1pc of Roof Support Connector 3 (#47) on each side of the Peak position of Coop Back Panel - Top (#11) by Self-tapping Screw 3.5x20 (#55).

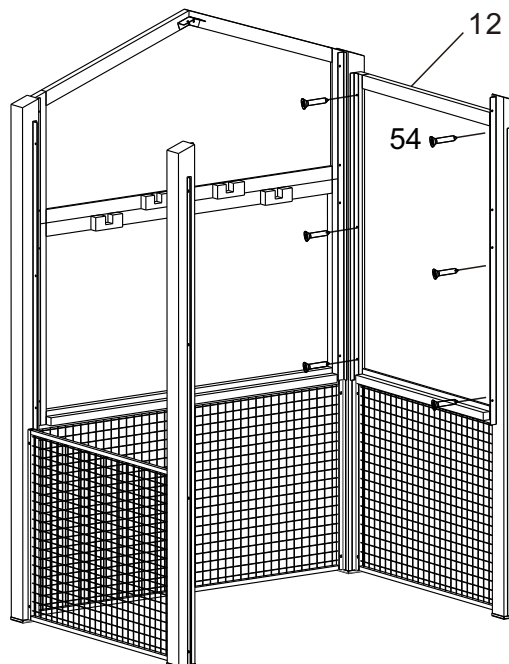
Noted: Make sure the bottom of #47 is aligned with the square wood frame of #11.

- Assemble 1pc #11 board on top of #10 frame with 4pcs Self-tapping Screw 4x30 (#54).



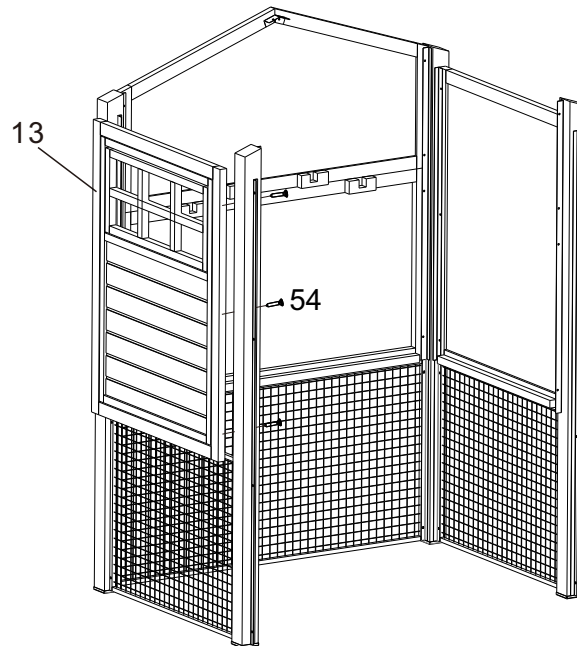
Step 4

- Assemble Coop Right Panel (#12) between Posts #1 and #3 by 6pcs Self-tapping Screw 4x30 (#54).



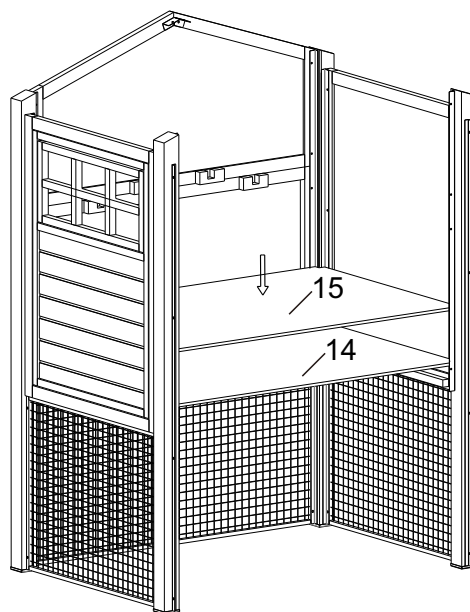
Step 5

- Same as Step 4, assemble Coop Left Panel (#13) between Posts #2 and #4 by 6pcs Self-tapping Screw 4x30 (#54).



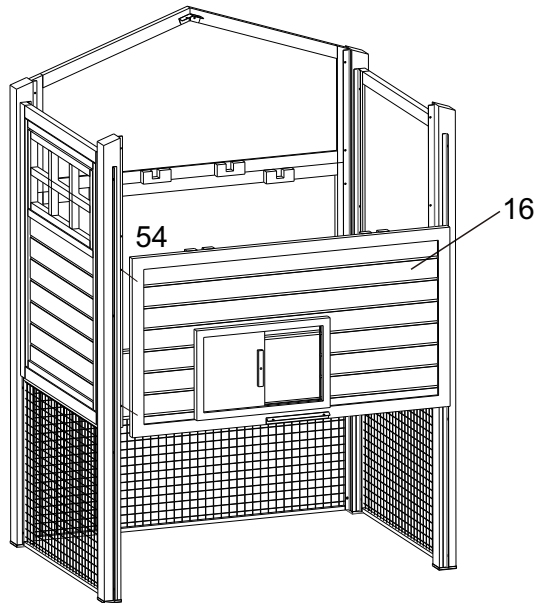
Step 6

- Put Coop Bottom Floor (#14) on top of the two bottom bars of Panels #12 and #13. Then put the PVC Board (#15) on top of #14.



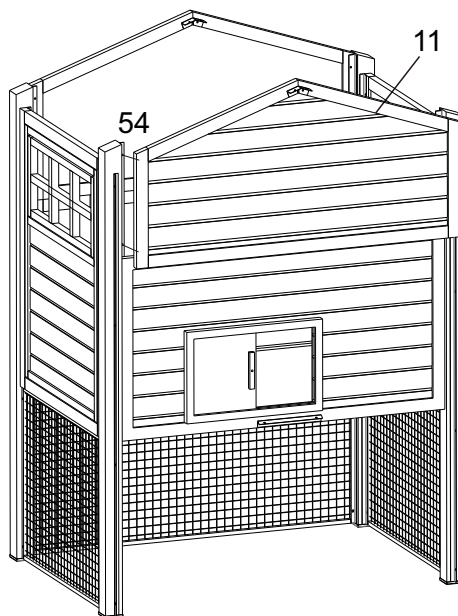
Step 7

- Assemble Coop Front Panel - Bottom (#16) by 4pcs Self-tapping Screw 4x30 (#54) from inside of the coop.



Step 8

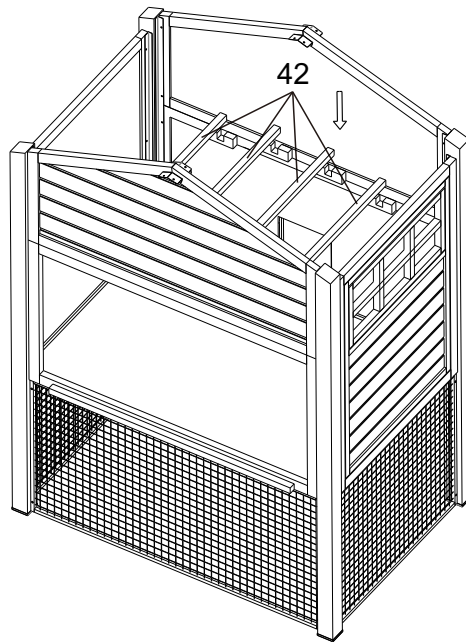
- Fix the 2nd Coop Back Panel - Top (#11) board on top of board #16.



ASSEMBLY

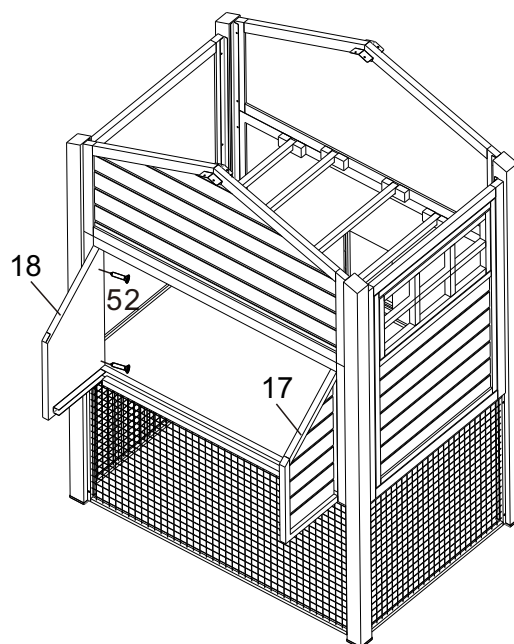
Step 9

- Put the 4pcs Roosting Bar (#42) between the 8 blocks as below.



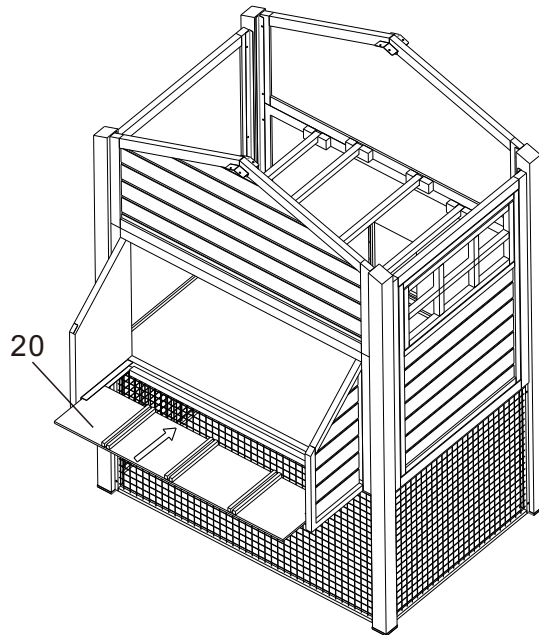
Step 10

- Assemble Nesting Box Right Panel (#17) and Nesting Box Left Panel (#18) to the two sides of Coop Back Frame (#10) with Self-tapping Screw 4x50 (#52).



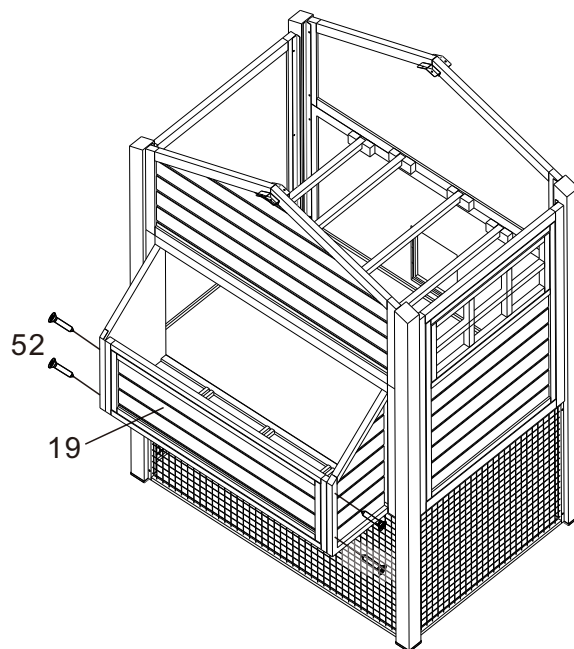
Step 11

- Slide the Nesting Box Floor (#20) into the two U-channels on the bottom of Nesting Box Right Panel (#17) and Nesting Box Left Panel (#18). Push the floor all the way inside.



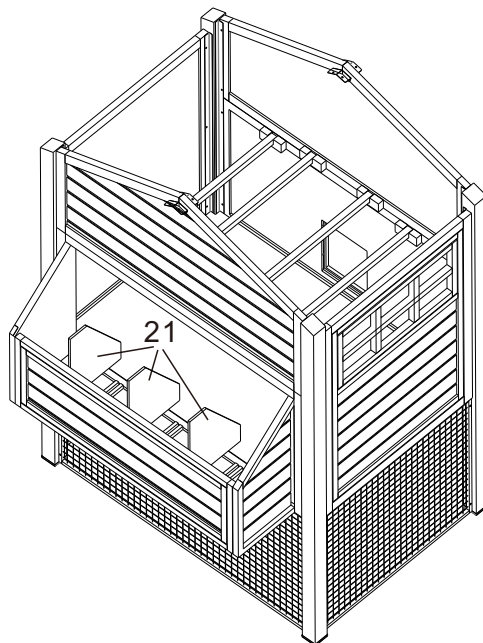
Step 12

- Assemble the Nesting Box Back Panel (#19) with 4pcs Self-tapping screw 4x50 (#52).



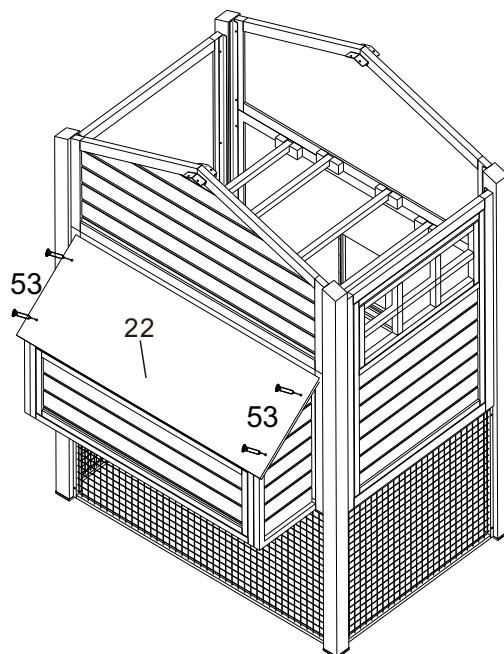
Step 13

- Insert the 3pcs Nesting Box Divider (#21) into the Nesting Box Floor (#20).



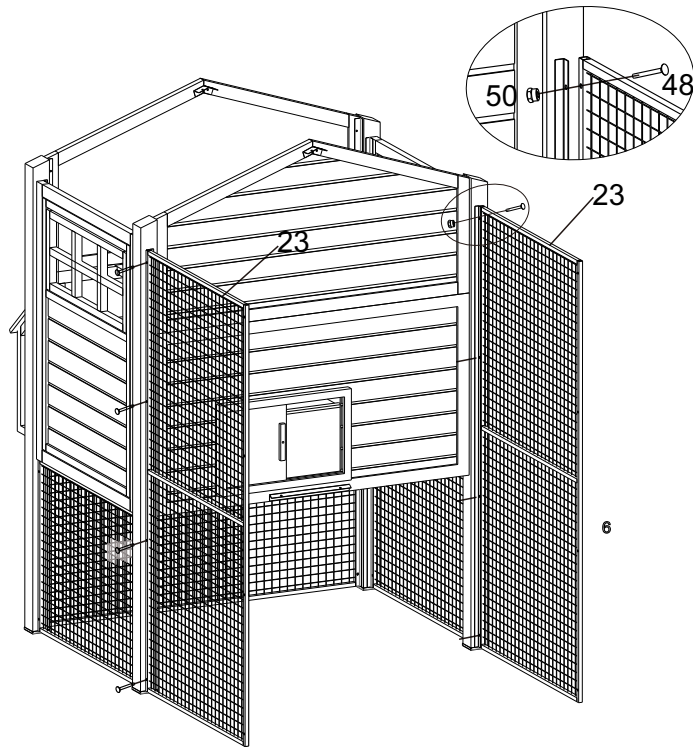
Step 14

- Attach the Nesting Box Roof (#22) by Self-tapping screw 4x40 (#53).



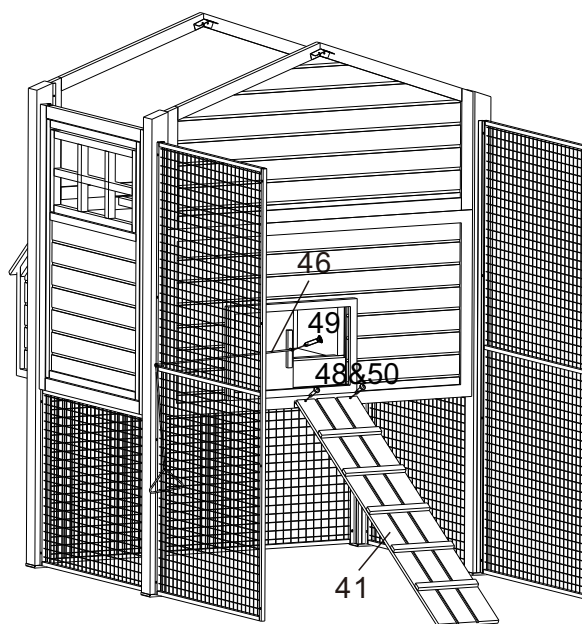
Step 15

- Fix the 2pcs Pen Mesh Panel (#23) on Posts #3 and #4 , each panel with 4pcs M6x30 Bolt (#48) and 4pcs M6 Nut (#50).



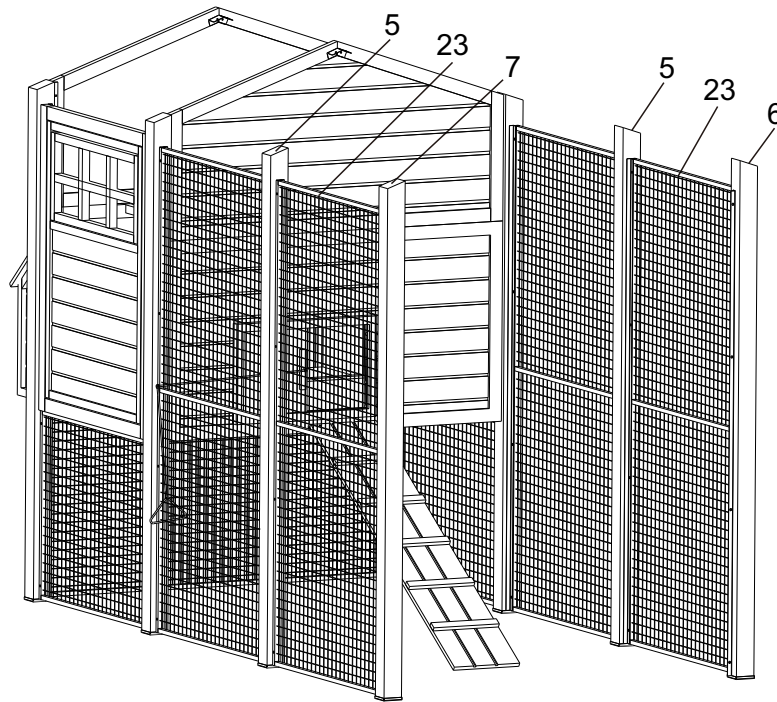
Step 16

- Fix the Sliding Door Helper (#46) with M4x20 Bolt (#49) and the Ramp (#41) with M6x30 Bolt (#48) and M6 Nut (#50).



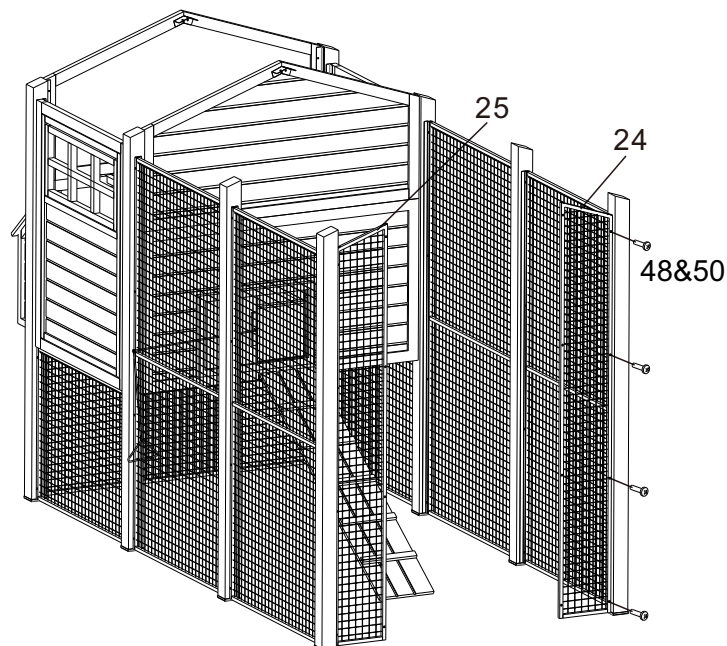
Step 17

- Following below diagram, fix 2pcs Post 5 (#5) , 2pcs Pen Mesh Panel (#23) and Post 6 (#6), Post 7 (#7) in turn. Requires totally 24pcs M6x30 Bolt (#48) and 24pcs M6 Nut (#50)



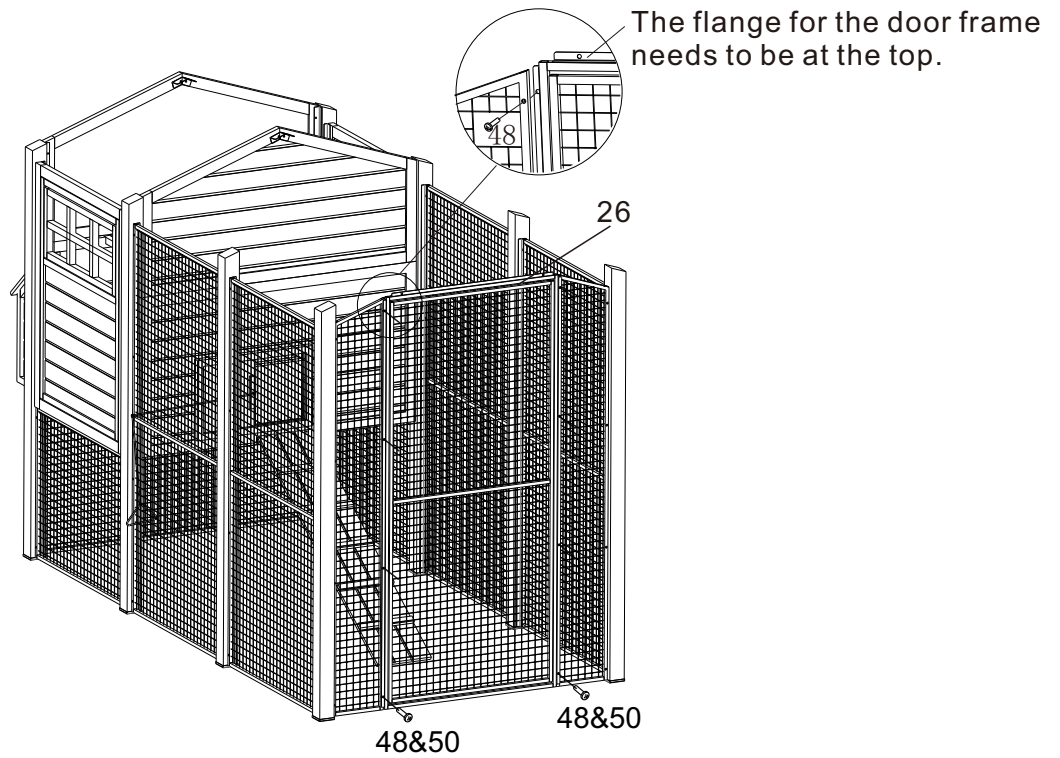
Step 18

- Now fix the Pen Front Right Panel (#24) on Post 6 (#6), and the Pen Front Left Panel (#25) on Post 7 (#7), each by 4pcs M6x30 Bolt (#48) and 4pcs M6 Nut (#50).



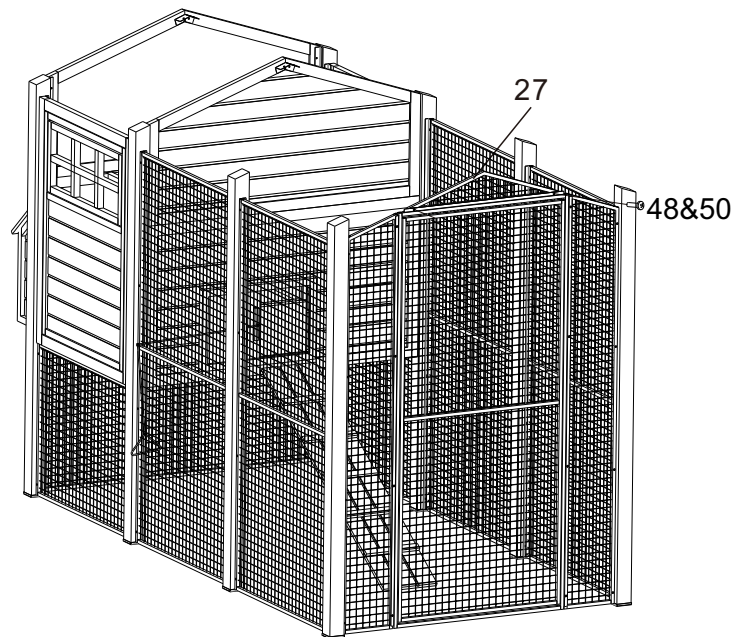
Step 19

- Assemble the Pen Door Panel (#26) between above two side panels, by 4pcs M6x30 Bolt (#48) and 4pcs M6 Nut (#50) on each side.



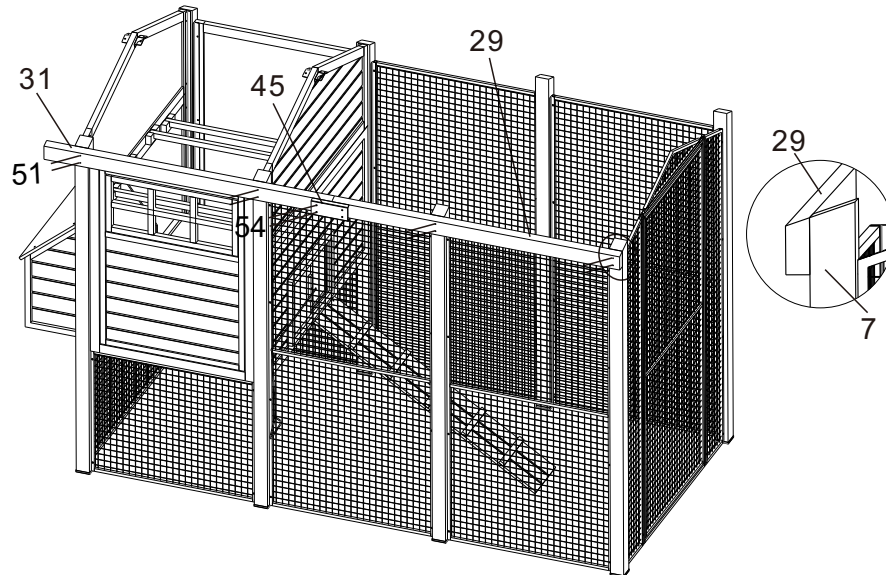
Step 20

- Put the Pen Top Triangle Panel (#27) on top of the Door Panel (#26), fix by M6x30 Bolt (#48) and M6 Nut (#50).



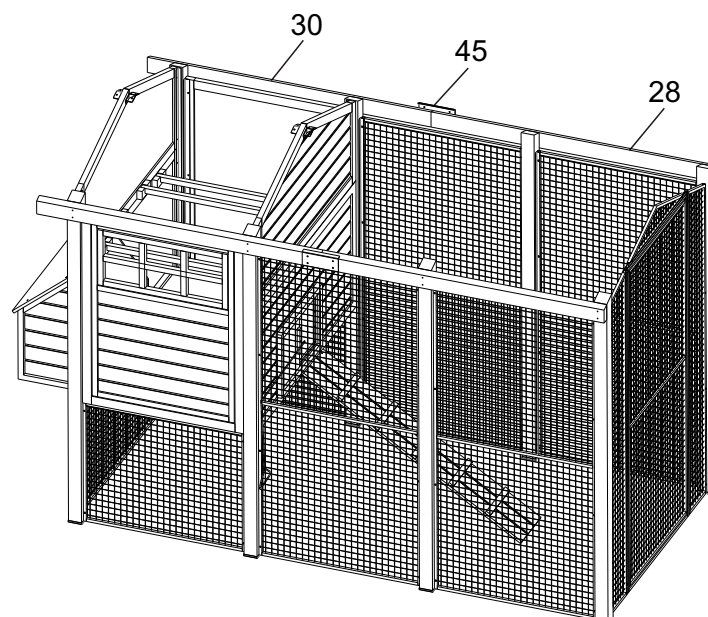
Step 21

- From the top end of Post 7 (#7) and Post 5 (#5) assemble the Left Shoulder Brace 1 (#29) by Self-tapping Screw 4x60 (#51). Then continue to assemble Left Shoulder Brace 2 (#31) on top of Post 2 (#2) and Post 4 (#4) by Self-tapping Screw 4x60 (#51). Make sure the two braces (#29 & #31) in same line, and no gap. Then use the Shoulder Brace Connector (#45) connect the two braces together by Self-tapping Screw 4x30 (#54).



Step 22

- Same as Step 21, assemble the Right Shoulder 1 (#28), the Right Shoulder Brace 2 (#30) on top of the other 4 posts (#1, #3, #5, #6). And connect the 2 braces together with Shoulder Brace Connector (#45).



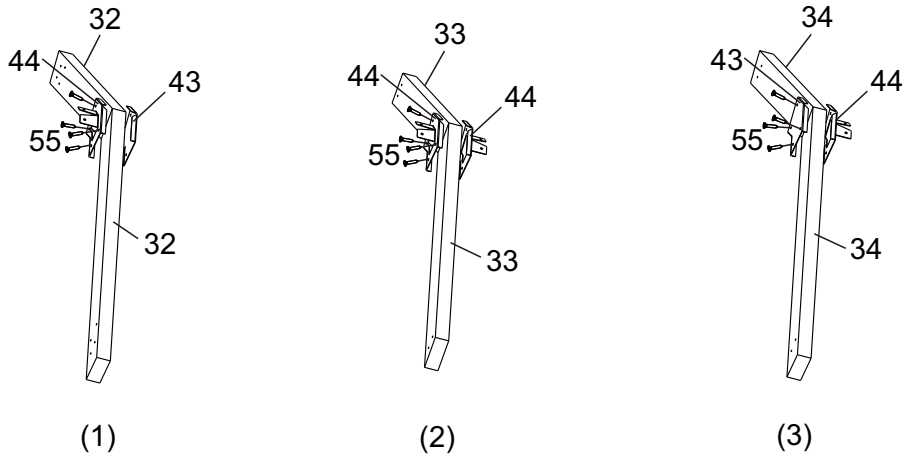
ASSEMBLY

Step 23

- Take 2pcs Roof Support 1 (#32), 1pc Roof Support Connector 1 (#43), 1pc Roof Support Connector 2 (#44), follow below diagram (1) assemble them together by Self-tapping Screw 3.5x20 (#55).

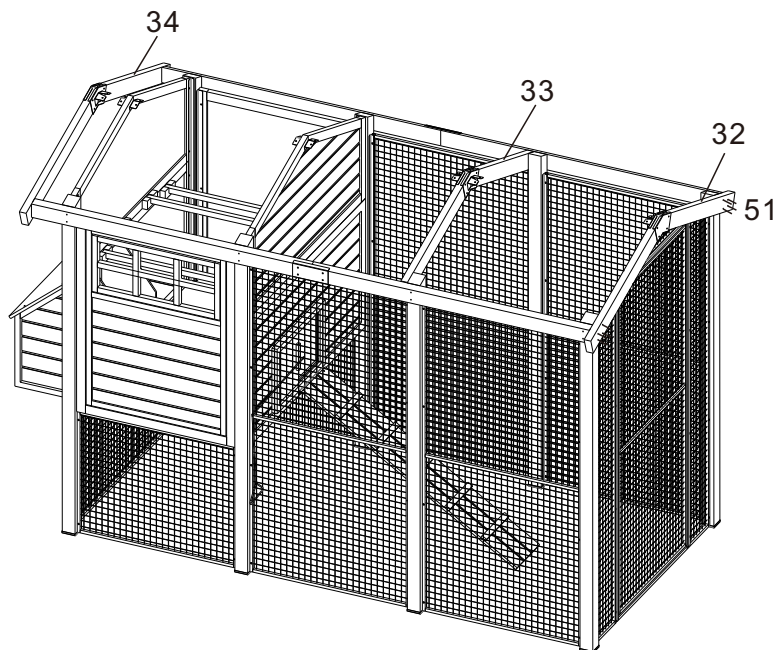
Take 2pcs Roof Support 2 (#33), 2pcs Roof Support Connector 2 (#44), follow below diagram (2) assemble them together by Self-tapping Screw 3.5x20 (#55).

Take 2pcs Roof Support 3 (#34), 1pc Roof Support Connector 1 (#43), 1pc Roof Support Connector 2 (#44), follow below right diagram (3) assemble them together by Self-tapping Screw 3.5x20 (#55).



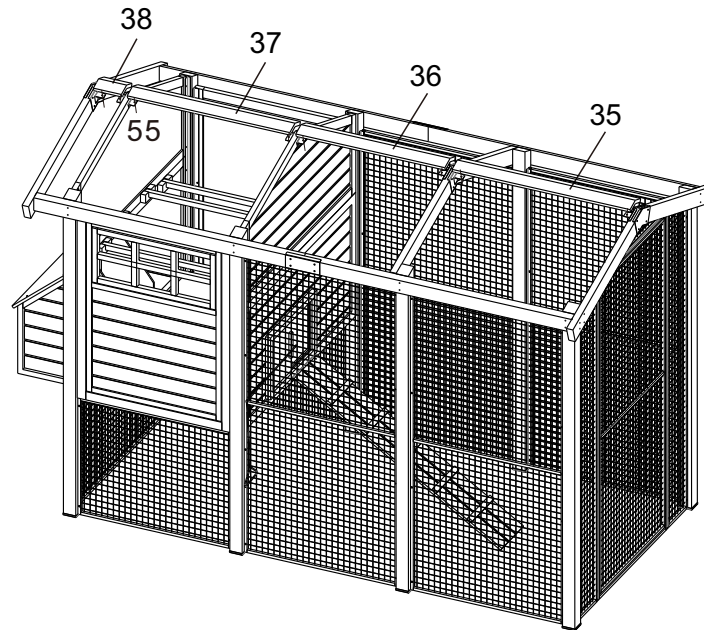
Step 24

- Assemble above 3 sets of roof support combination by Self-tapping Screw 4x60 (#51).



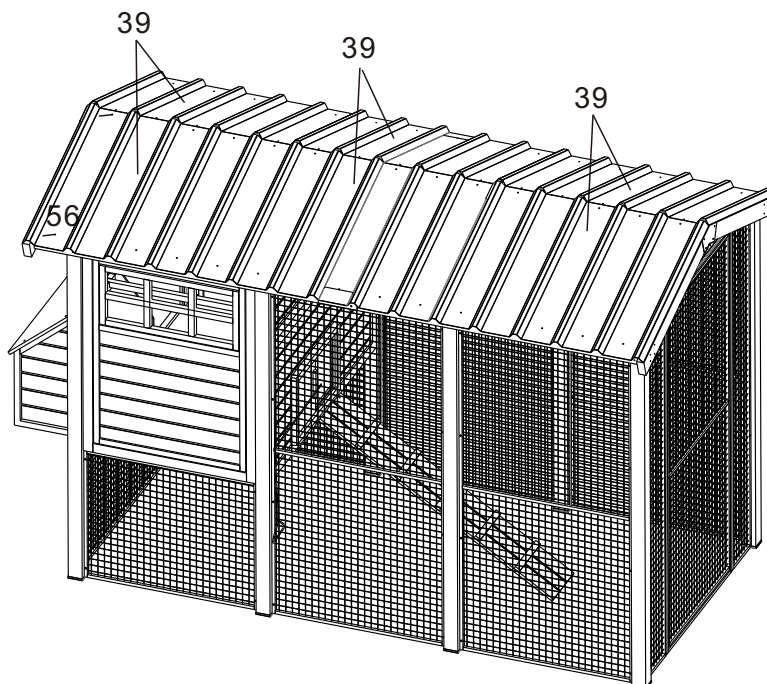
Step 25

- Put Roof Ridge 1 (#35), Roof Ridge 2 (#36), Roof Ridge 3 (#37), Roof Ridge 4 (#38) in below diagram position. Fix them on to Roof Support Connector 1 (#43), Roof Support Connector 2 (#44), and Roof Support Connector 3 (#47), by Self-tapping Screw 3.5x20 (#55).



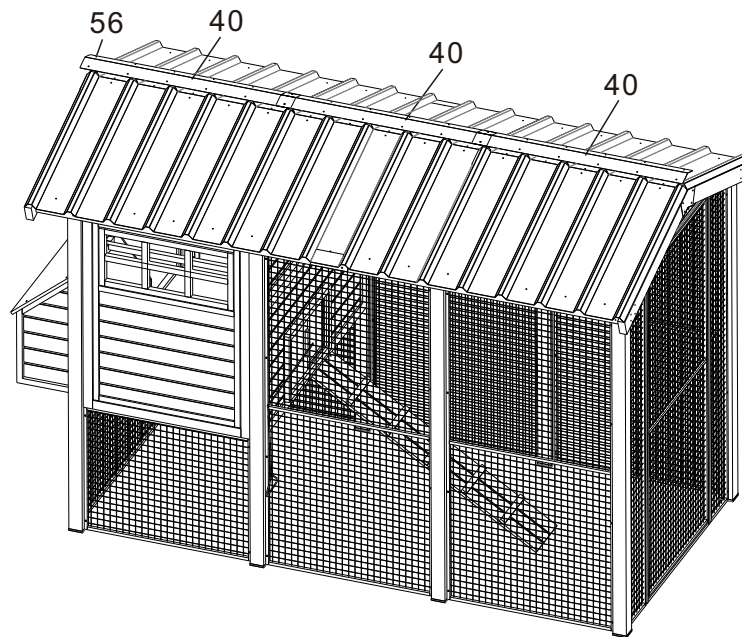
Step 26

- Put the 6pcs Roof Panel (#39) evenly spaced on two sides of the roof, and fix them on the Roof Supports by Self-tapping Screw 4x19 (#56).



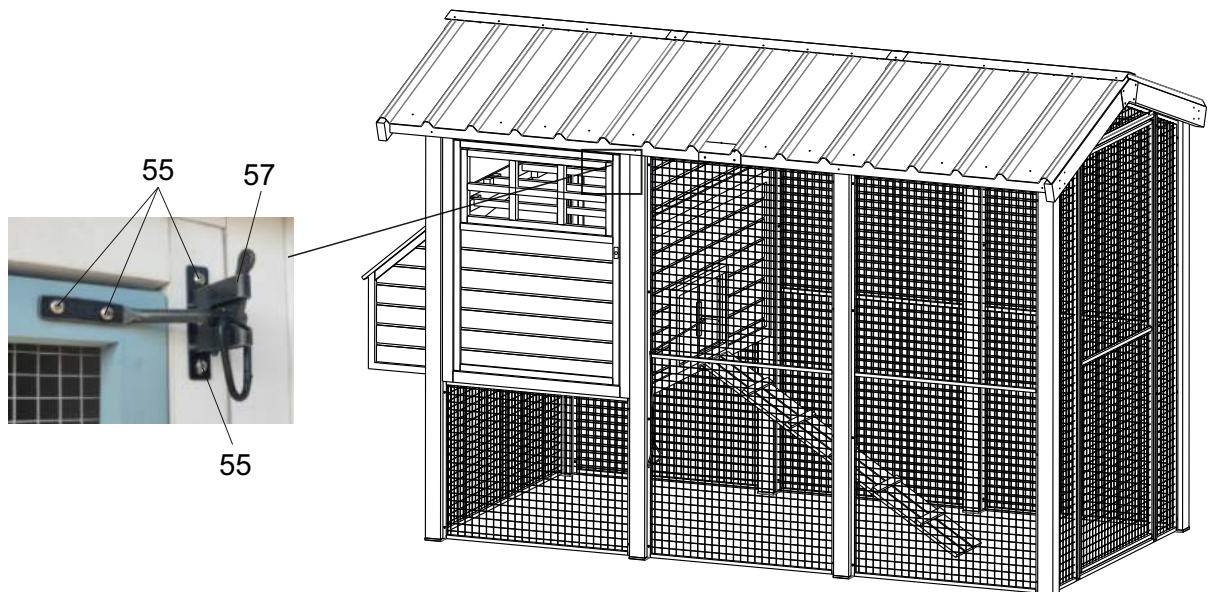
Step 27

- Put the 3pcs Roof Ridge Metal Cover (#40) on the peak of the roof, fix by Self-tapping Screw 4x19 (#56).



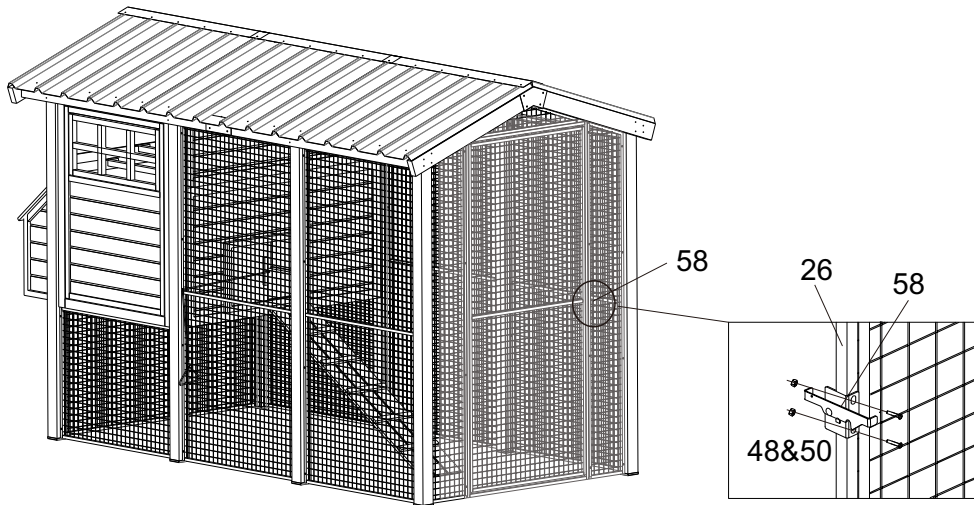
Step 28

- Assemble 1pc Lock (#57) on the Coop Left Panel (#10) as below diagram, using Self-tapping Screw 3.5x20 (#55).



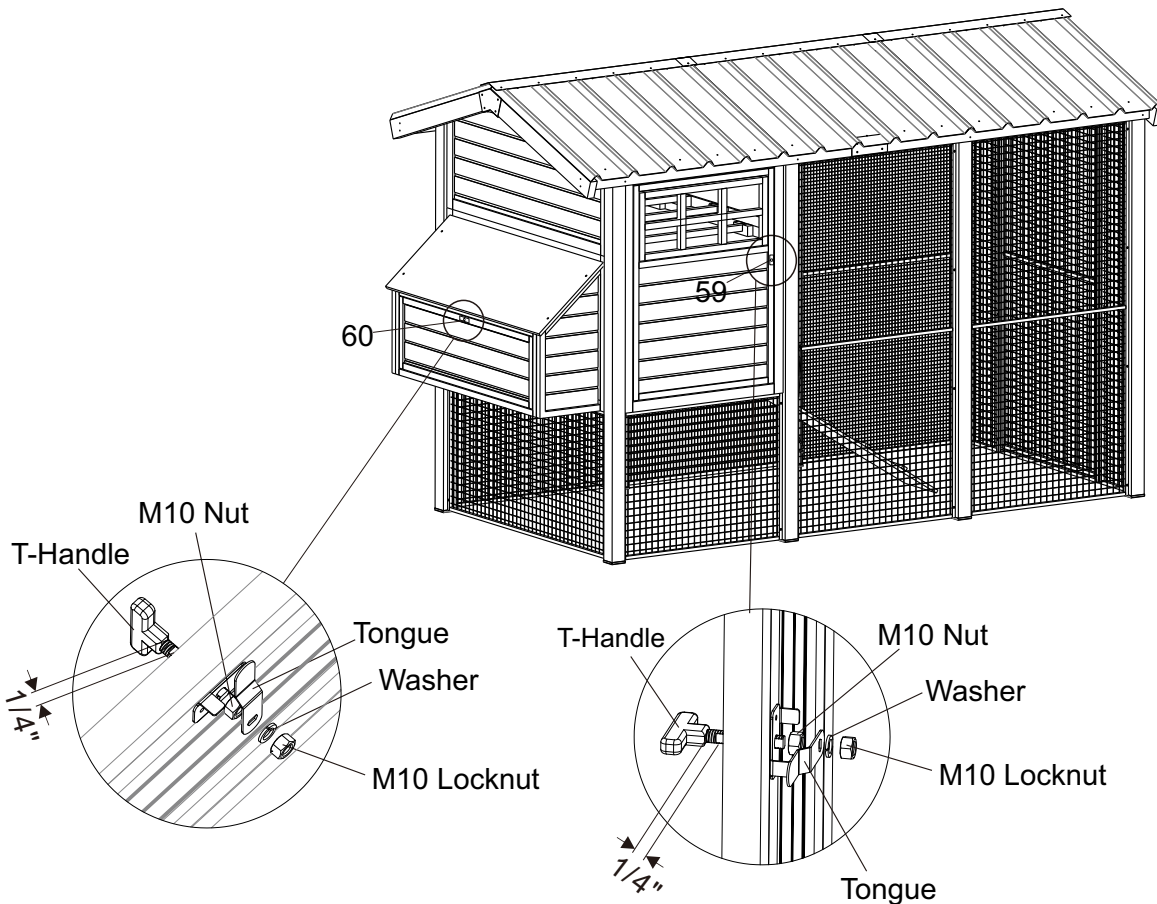
Step 29

- Assemble 1pc Door Latch (#58) on the Pen Door Panel (#26), using M6x30 Bolt (#48) and M6 Nut (#50).



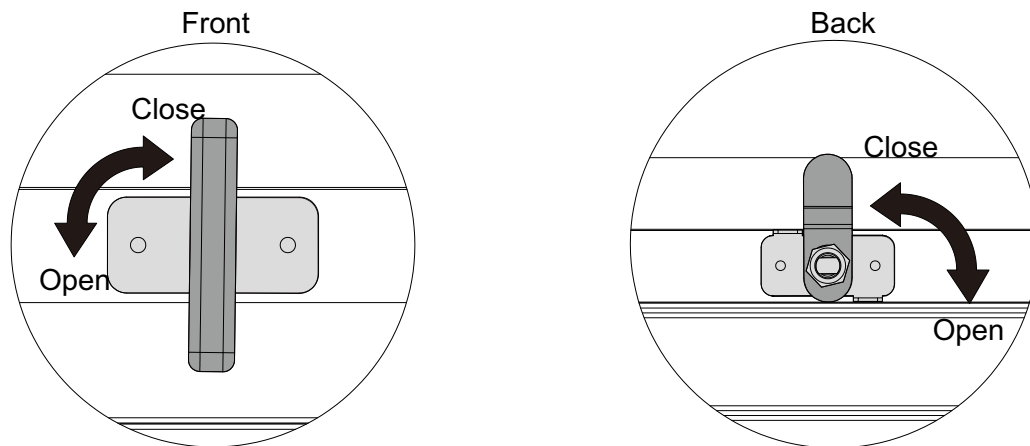
Step 30

- Follow below door lock assembly instruction assemble T-Handle Lock (#59, with longer tongue) on Coop Door (#10), and T-Handle Lock (#60, with short tongue) on Nesting Box Back Panel (#19).



T-Handle Lock Assembly:

- Insert T-handle shaft into the pre-drilled hole on the wood panel, leaving 1/4" space outside. Then from the back of the panel, tighten the M10 nut (not the Locknut) first, then put the tongue in, make sure the tongue is in the same direction of the T-handle, fix the washer and M10 Locknut and tighten them.
- When using the lock, please remember that you need to push in the 1/4" gap first before you turn the T-handle. Clockwise is close, counter clockwise is open.



Now the assembly is finished.