

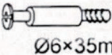


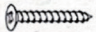


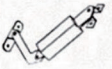

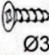
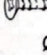
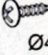

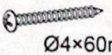


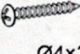
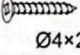

Product Name:	White MDF Hall Tree with Bench and Shoe Storage
SKU #:	WHIF999

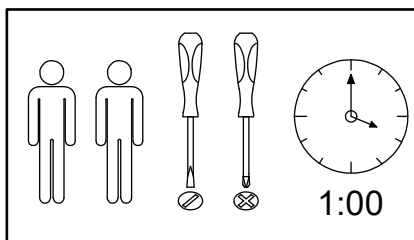
Thank you for purchasing this Winsome House product. This product has been manufactured with the highest standards of safety and quality.

PLEASE READ ALL INSTRUCTIONS BEFORE ASSEMBLY.

Unpack all parts from Styrofoam and bubble wrap inside the carton to ensure there are no missing or damaged parts. If any parts are missing or damaged, do not attempt to assemble or use the product.

Hardware:

① ×12  Ø6×35mm	② ×26 	③ ×5 	④ ×22 	⑤ ×46 	⑥ ×14  Ø6×50mm	⑦ ×1 
⑧ ×3 	⑨ ×16  Ø3×12mm	⑩ ×10  Ø3×12mm	⑪ ×4  Ø4×12mm	⑫ ×2 	⑬ ×10  Ø4×60mm	⑭ ×2 
⑮ ×3 	⑯ ×2  Ø4×30mm	⑰ ×4  Ø4×20mm	⑱ ×14 			



Tools required for assembly: Philips screwdriver and Flathead Screwdriver (if using power tools, use with care)

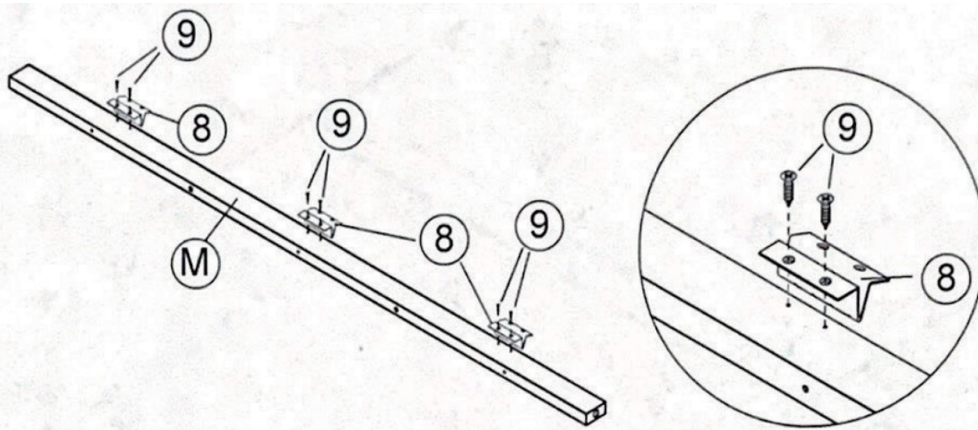
Product Name:	White MDF Hall Tree with Bench and Shoe Storage
SKU #:	WHIF999

Panels:

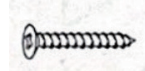
(A) x1 	(B) x1 	(C) x1 	(D) x2 	(E) x1
(F) x1 	(G) x2 	(H) x1 	(I) x1 	(J) x1
(K) x1 	(L) x1 	(M) x1 	(N) x1 	(O) x1
(P) x1 	(Q) x1 	(R) x1 	(S) x1 	(T) x1
(U) x1 	(V) x1 	(W) x1 	(X) x2 	

Product Name:	White MDF Hall Tree with Bench and Shoe Storage
SKU #:	WHIF999

Step 1



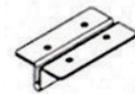
④ × 3



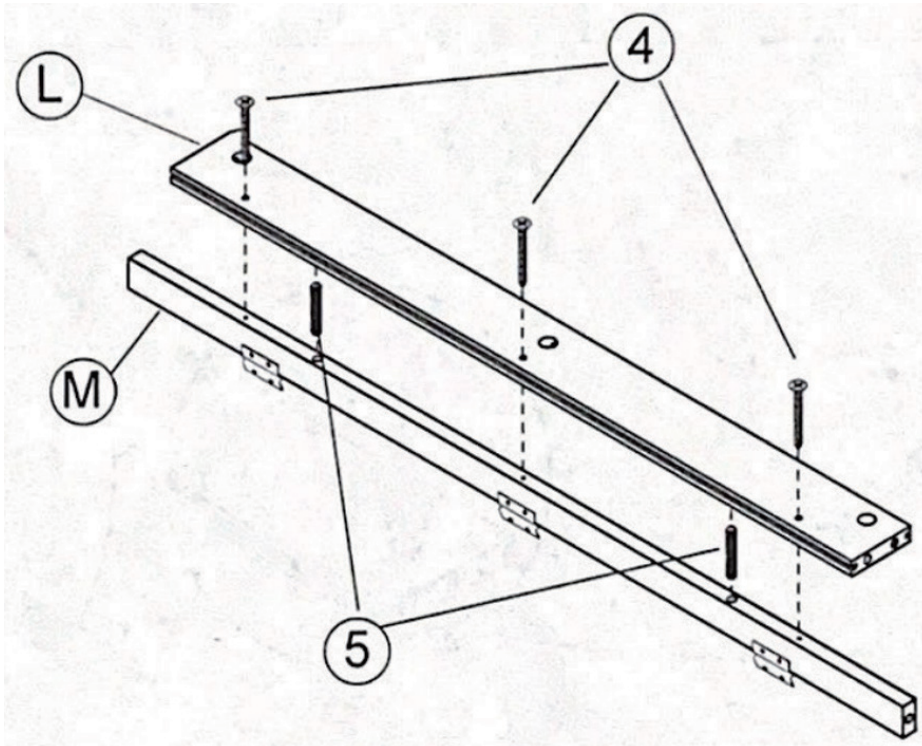
⑤ × 2



⑧ × 3

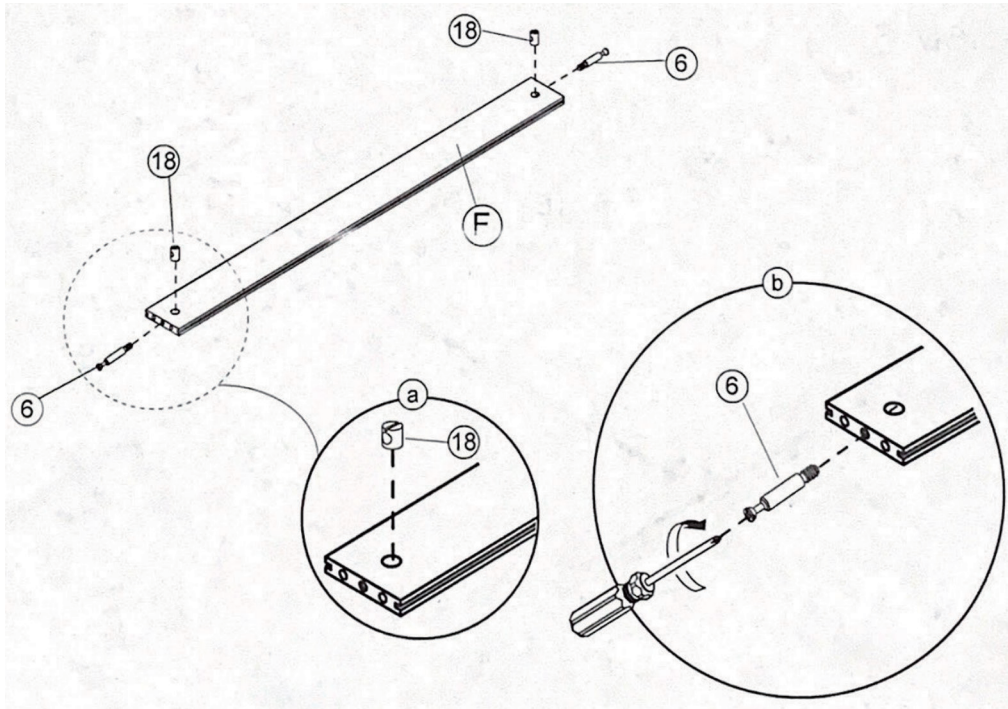


⑨ × 6



Product Name:	White MDF Hall Tree with Bench and Shoe Storage
SKU #:	WHIF999

Step 2



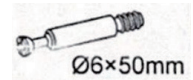
② × 2



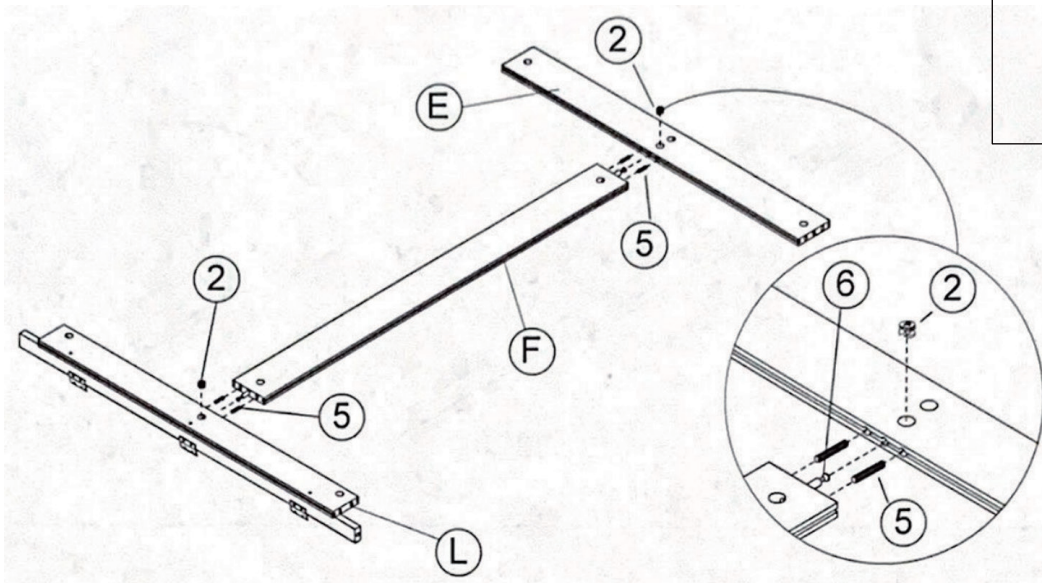
⑤ × 4



⑥ × 2

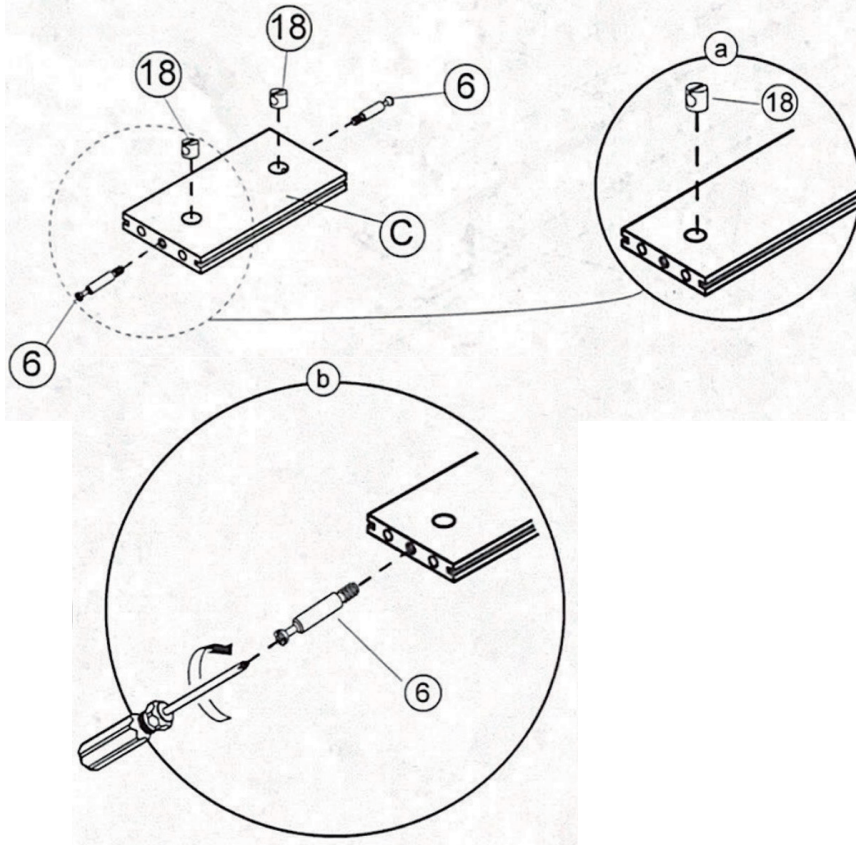


⑱ × 2

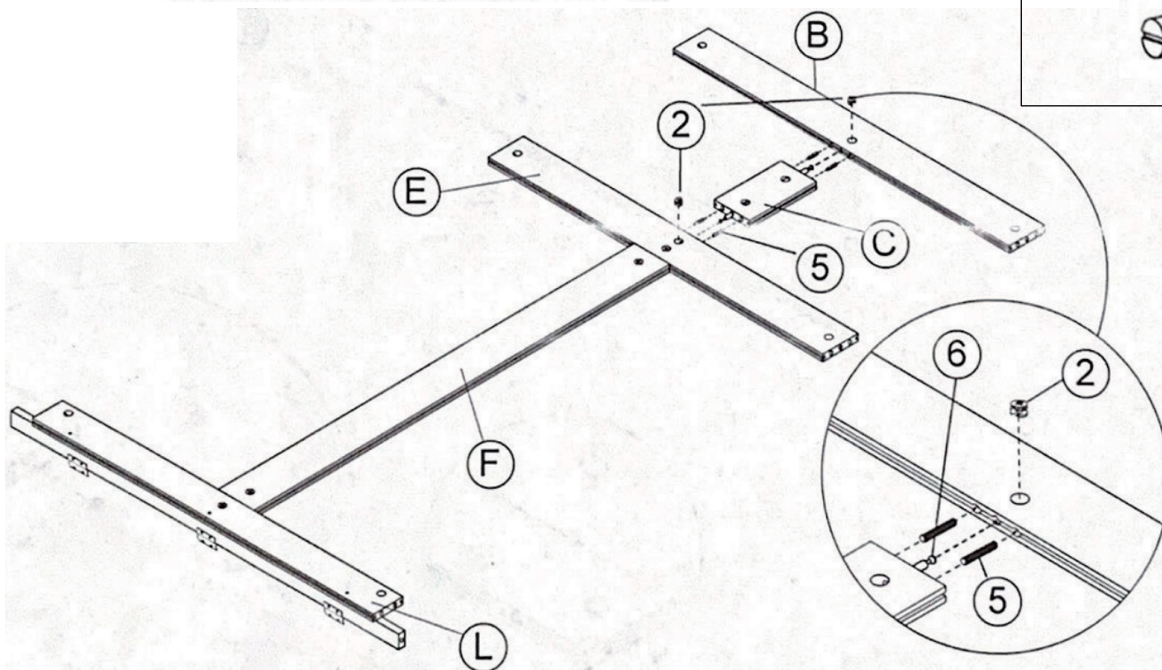


Product Name:	White MDF Hall Tree with Bench and Shoe Storage
SKU #:	WHIF999

Step 3

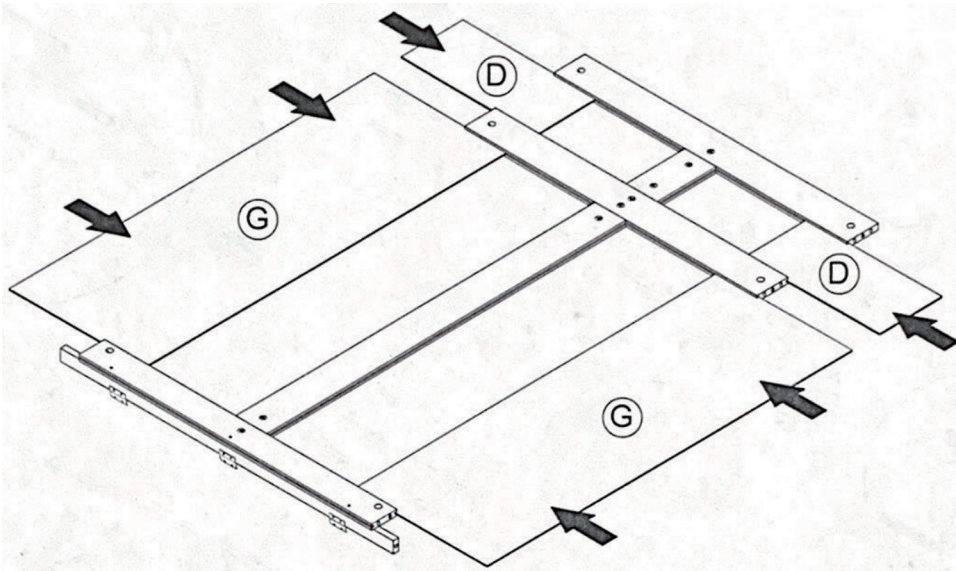


② × 2	
⑤ × 4	
⑥ × 2	
⑱ × 2	

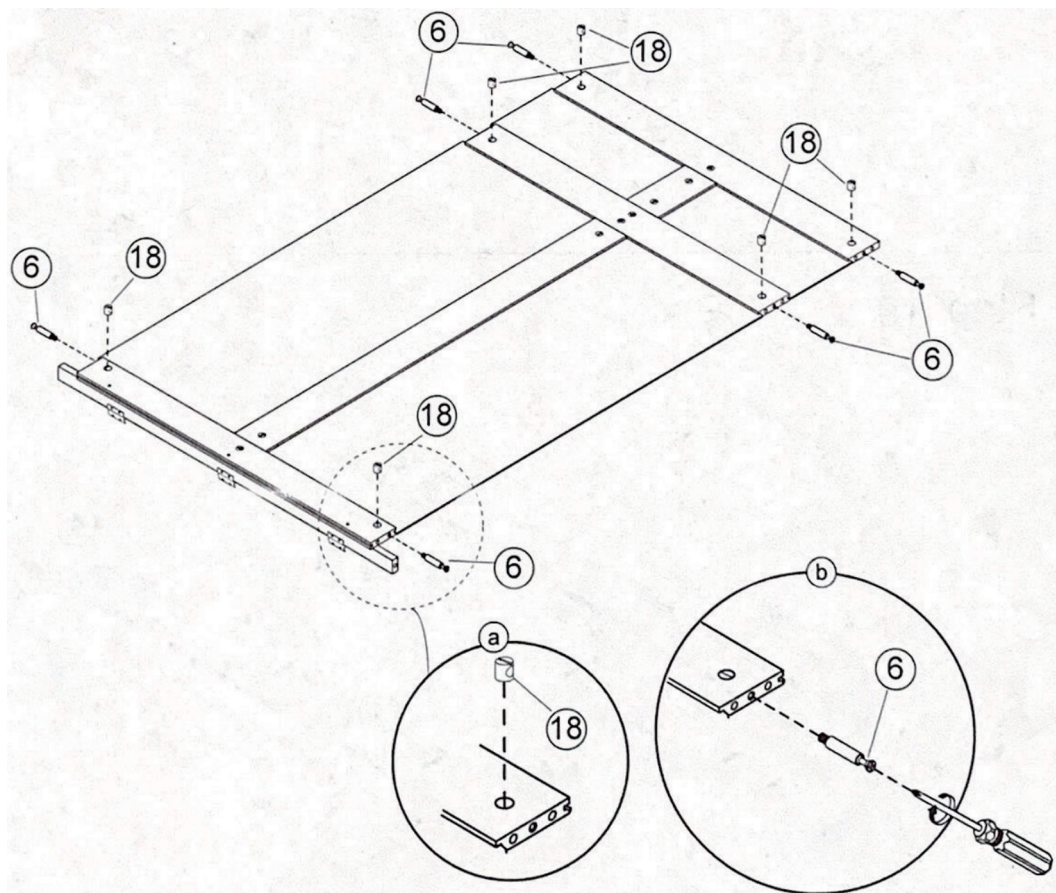


Product Name:	White MDF Hall Tree with Bench and Shoe Storage
SKU #:	WHIF999

Step 4


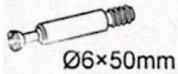



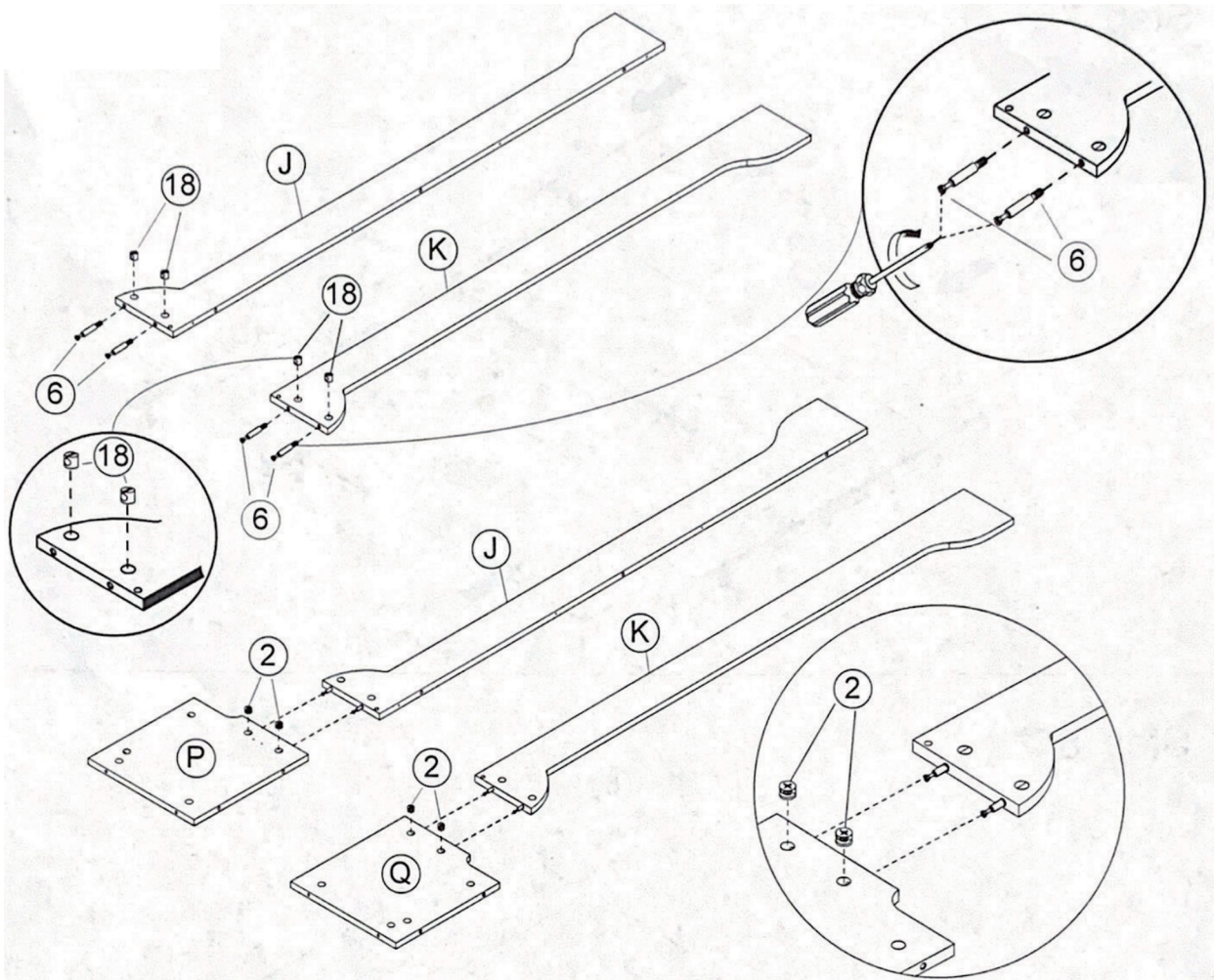
⑥ × 6
<p>Ø6×50mm</p>
⑱ × 6



Product Name:	White MDF Hall Tree with Bench and Shoe Storage
SKU #:	WHIF999

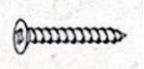

Step 5

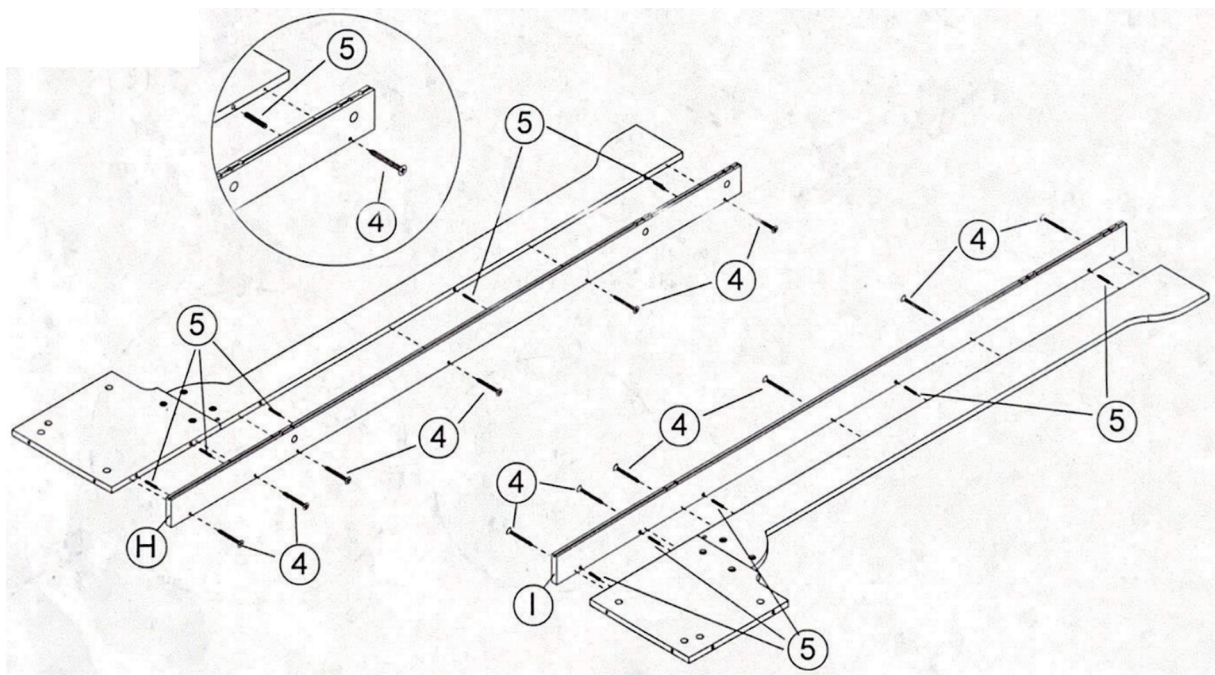
② ×4	⑥ ×4	⑱ ×4
		



Product Name:	White MDF Hall Tree with Bench and Shoe Storage
SKU #:	WHIF999

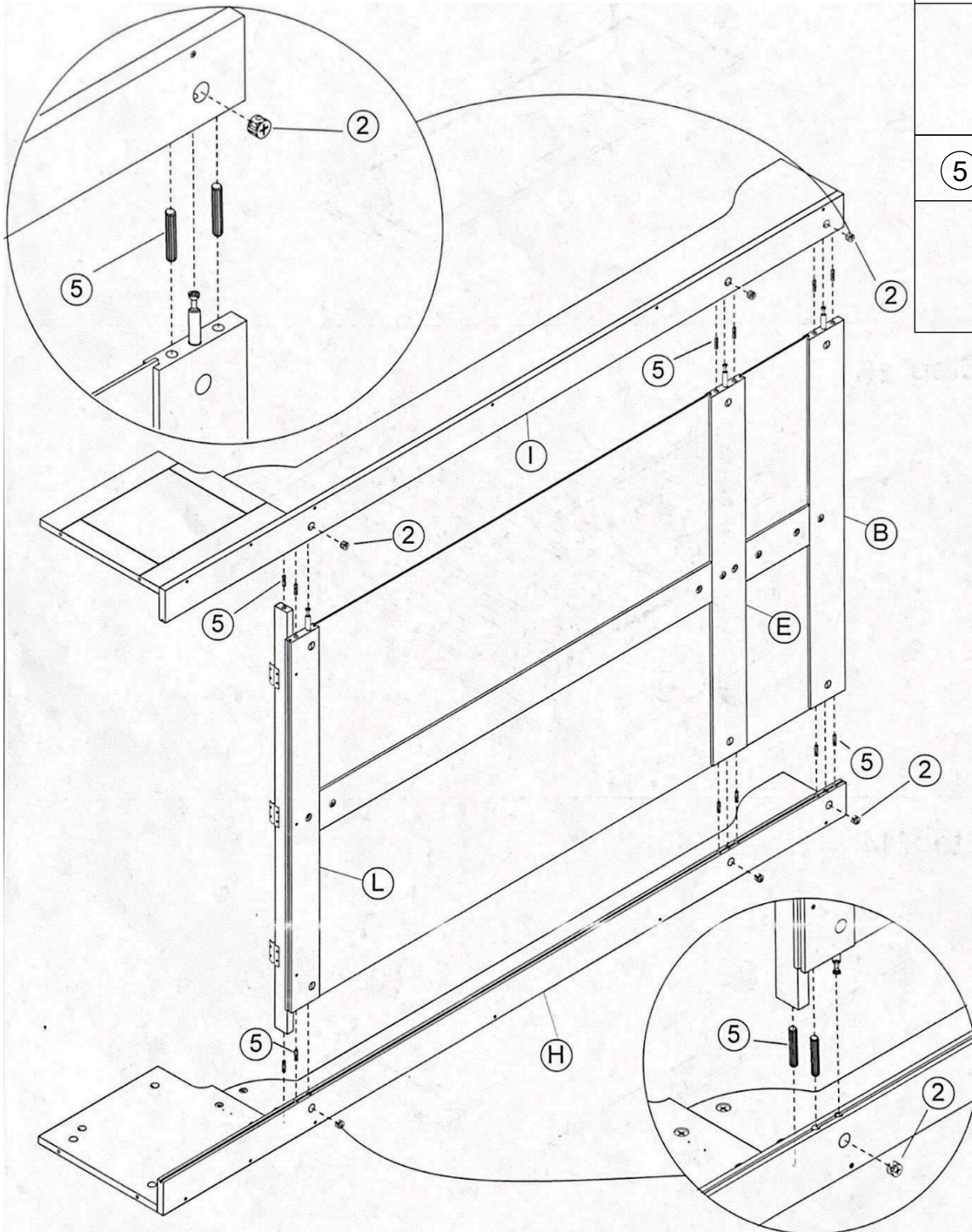
Step 6



④ × 12

⑤ × 10




Product Name:	White MDF Hall Tree with Bench and Shoe Storage
SKU #:	WHIF999

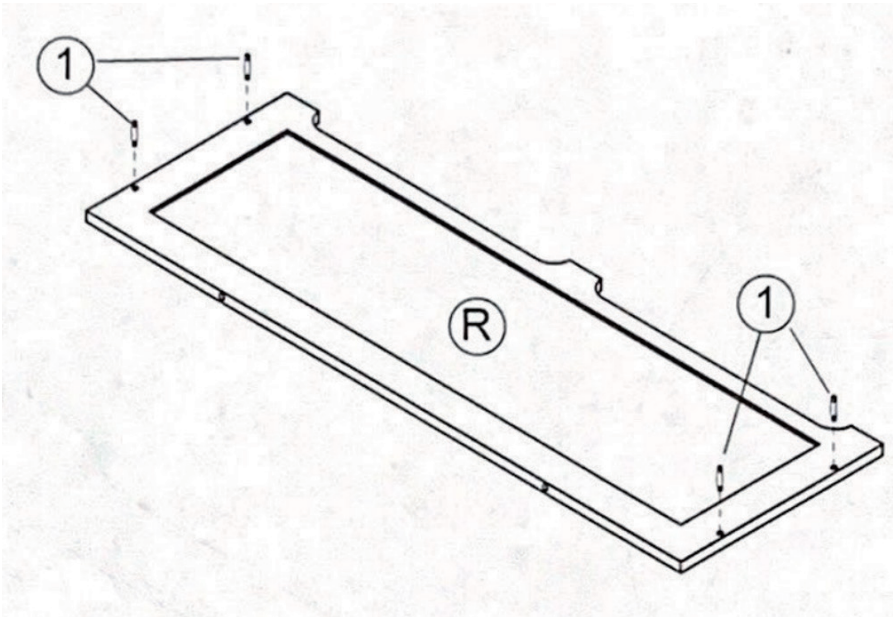
Step 7

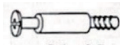



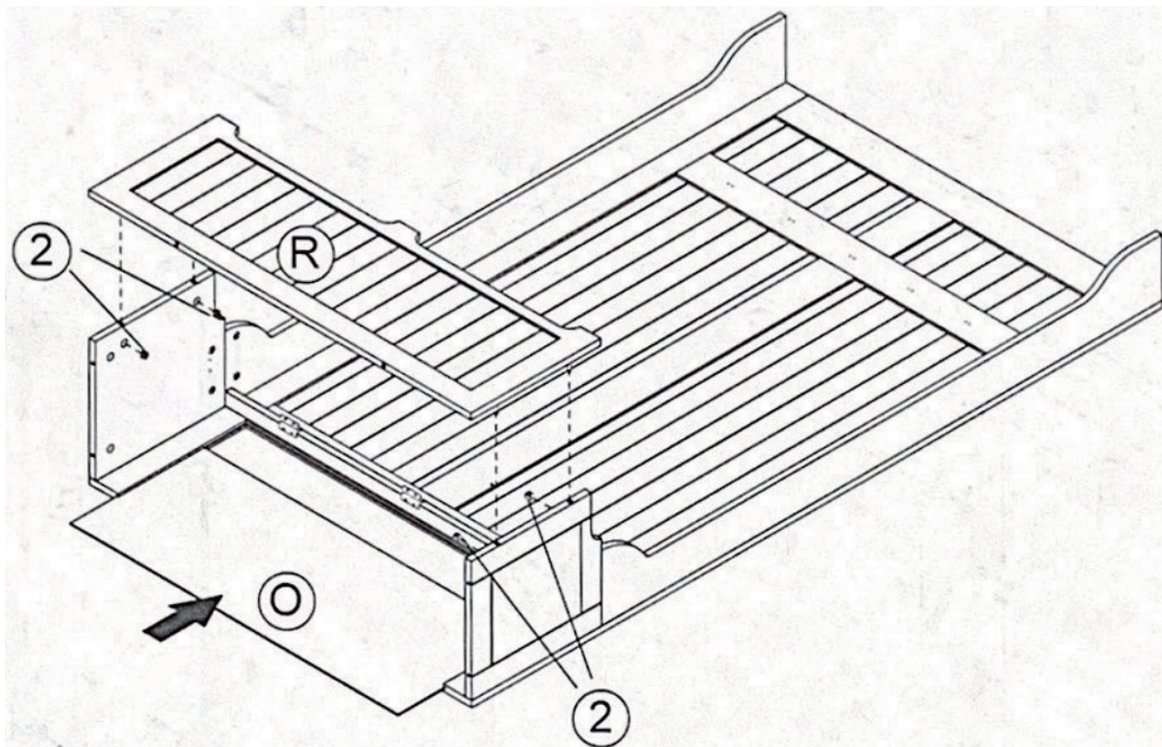
② × 6

⑤ × 12


Product Name:	White MDF Hall Tree with Bench and Shoe Storage
SKU #:	WHIF999

Step 8

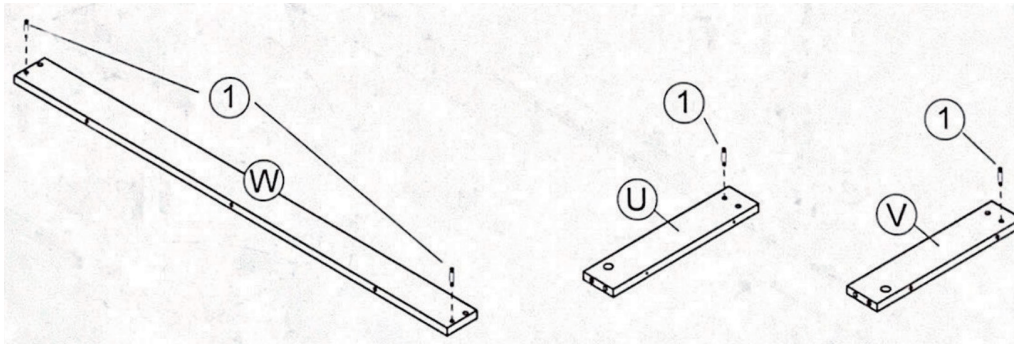


① ×4

② ×4


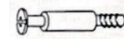


Product Name:	White MDF Hall Tree with Bench and Shoe Storage
SKU #:	WHIF999

Step 9



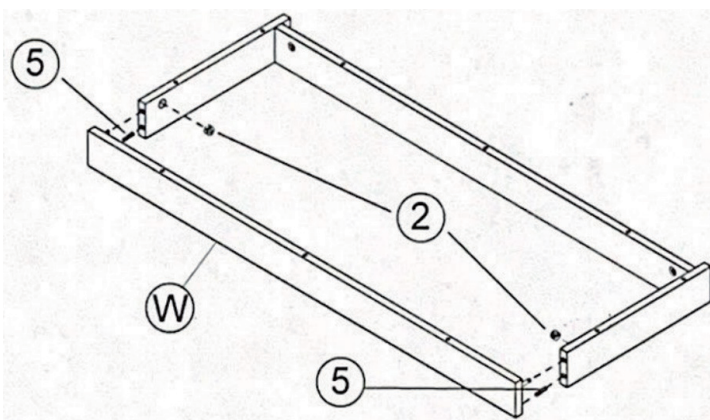
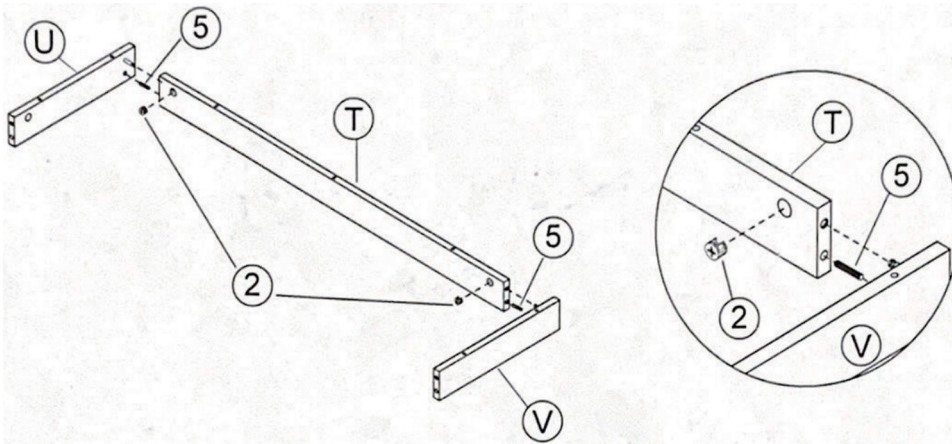
① ×4



② ×4

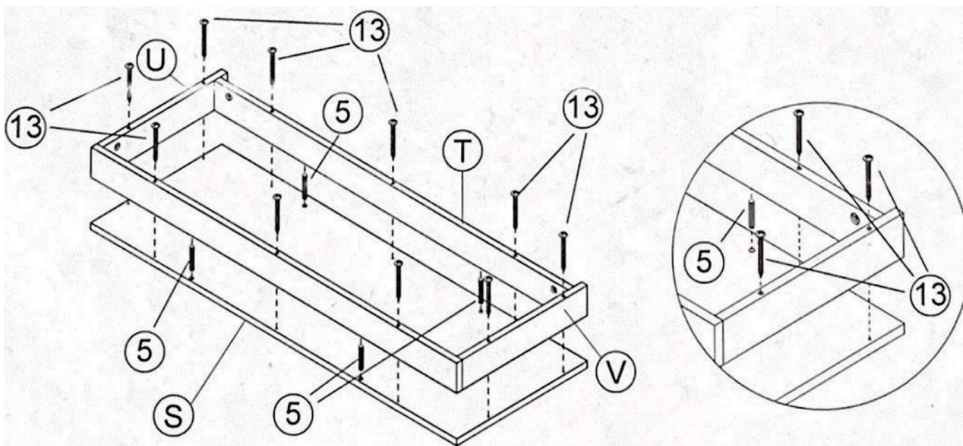


⑤ ×4

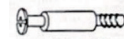


Product Name:	White MDF Hall Tree with Bench and Shoe Storage
SKU #:	WHIF999

Step 10



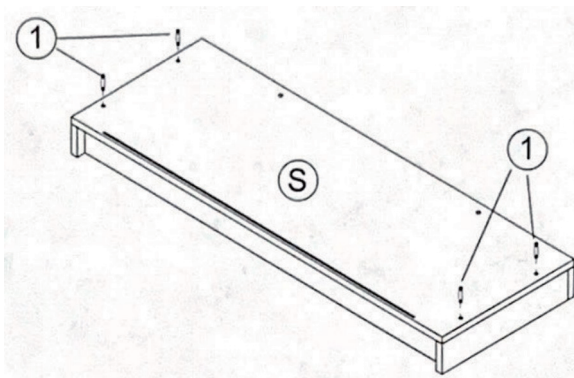
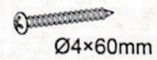
① ×4



⑤ ×4





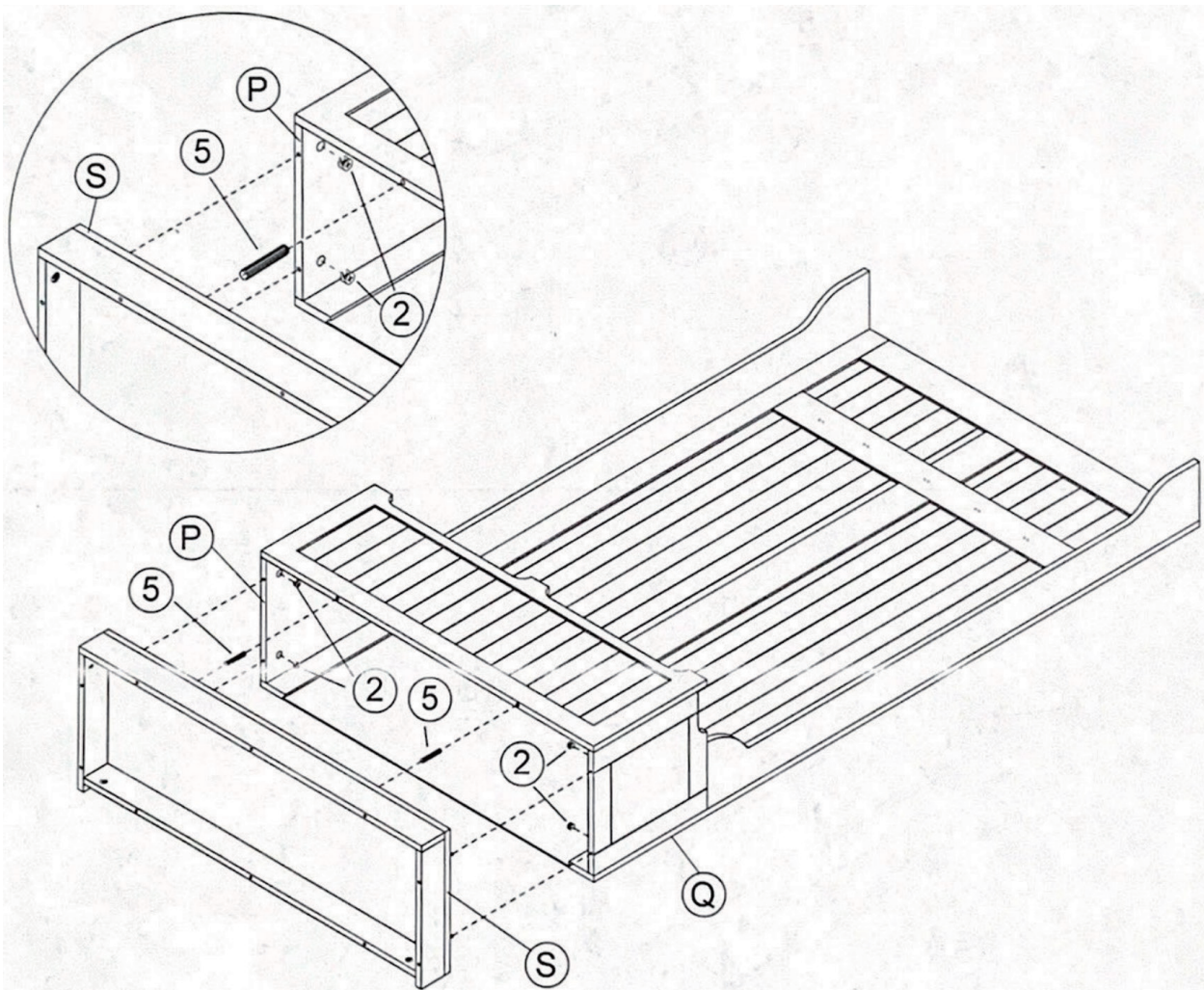
⑬ ×10



Product Name:	White MDF Hall Tree with Bench and Shoe Storage
SKU #:	WHIF999

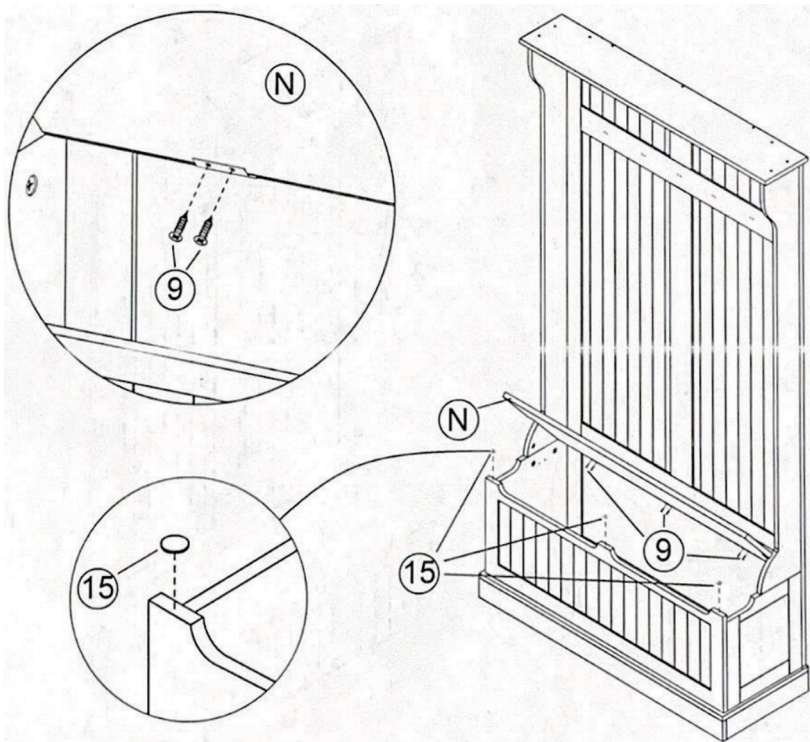
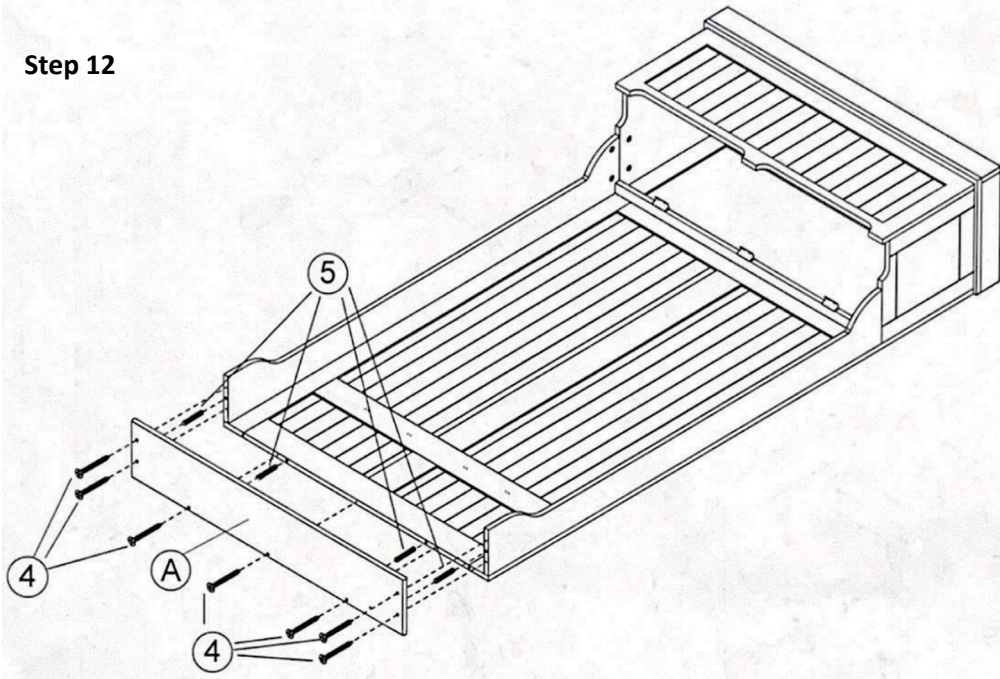
Step 11

② × 4	⑤ × 2
	

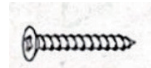


Product Name:	White MDF Hall Tree with Bench and Shoe Storage
SKU #:	WHIF999

Step 12



④ × 7



⑤ × 4



⑨ × 6

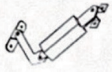
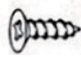
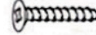


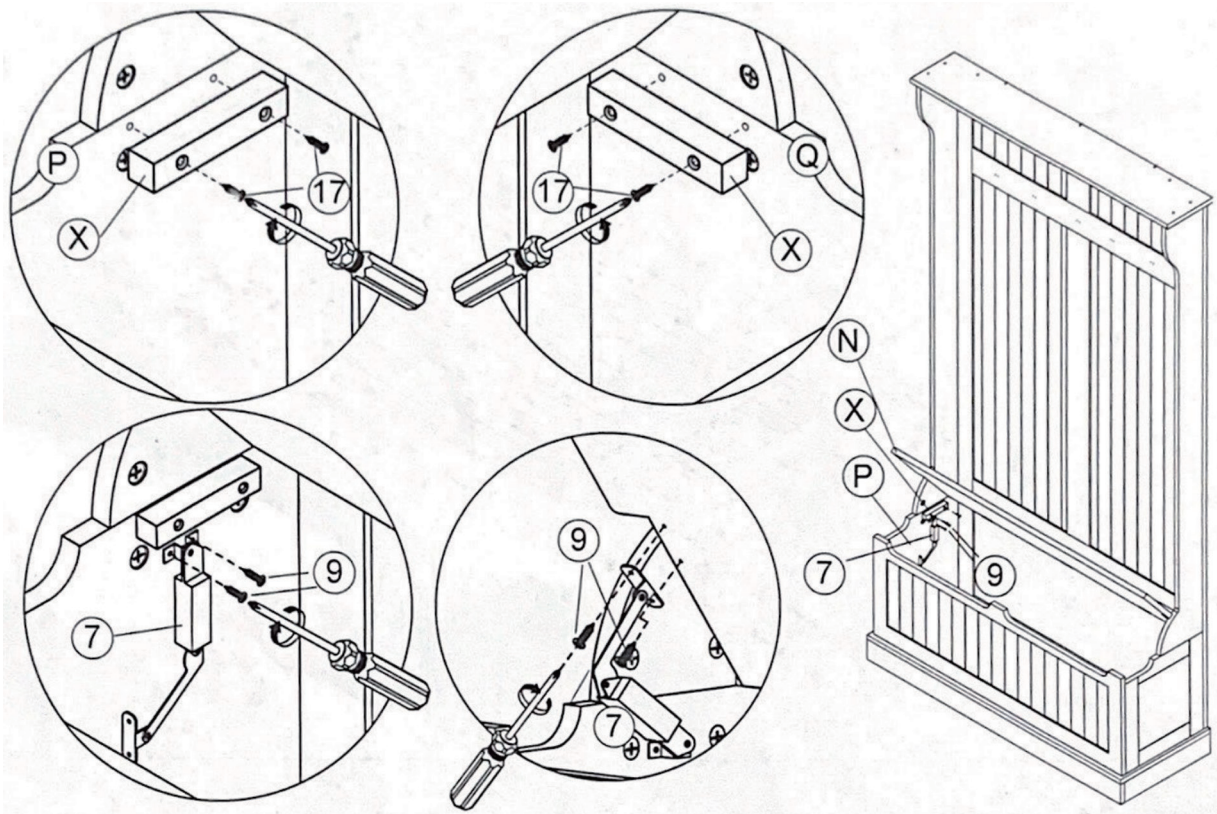
⑮ × 3



Product Name:	White MDF Hall Tree with Bench and Shoe Storage
SKU #:	WHIF999


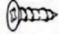
Step 13

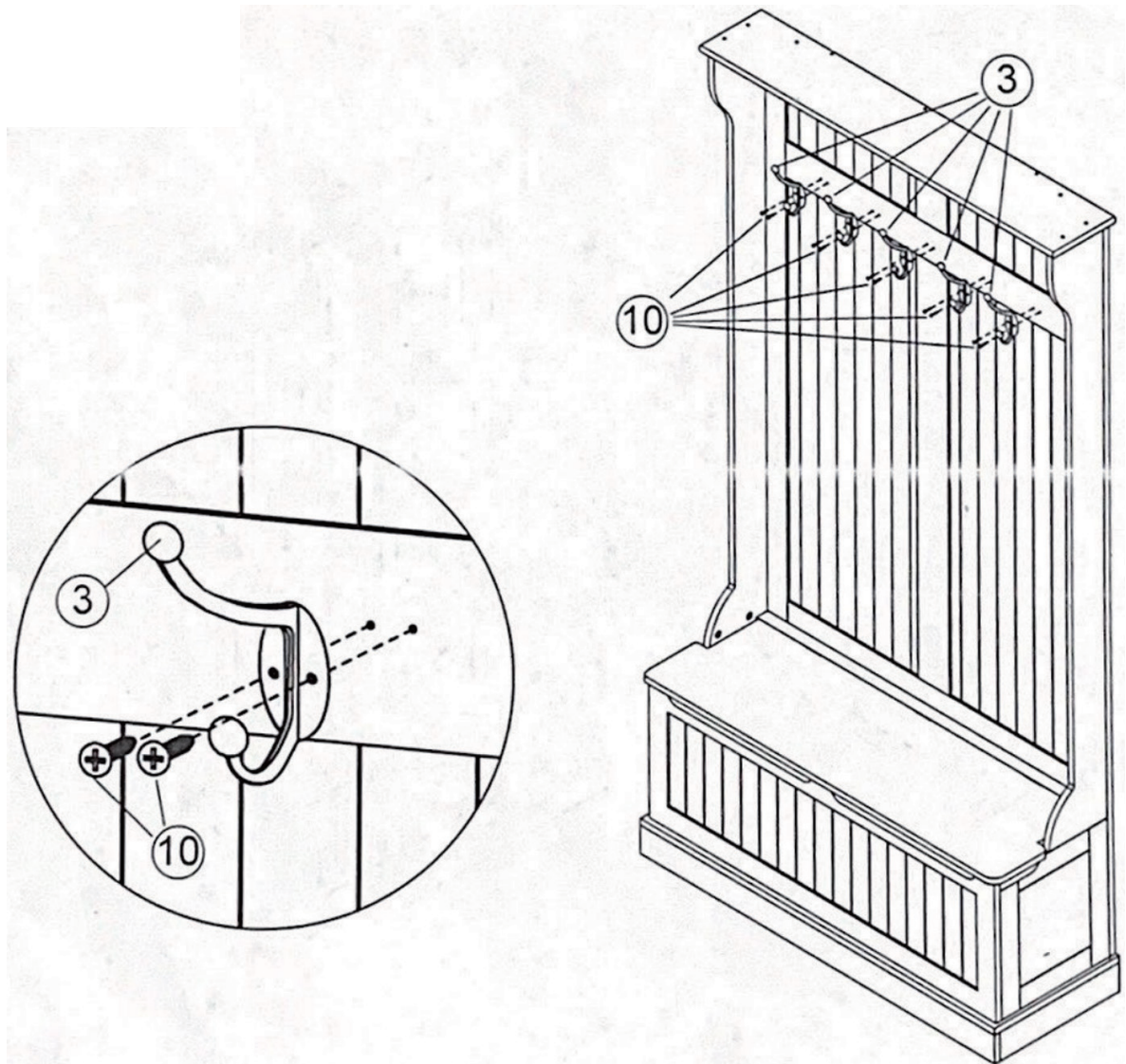
⑦ × 1	⑨ × 4	⑰ × 4
		 Ø4×20mm



Product Name:	White MDF Hall Tree with Bench and Shoe Storage
SKU #:	WHIF999



Step 14

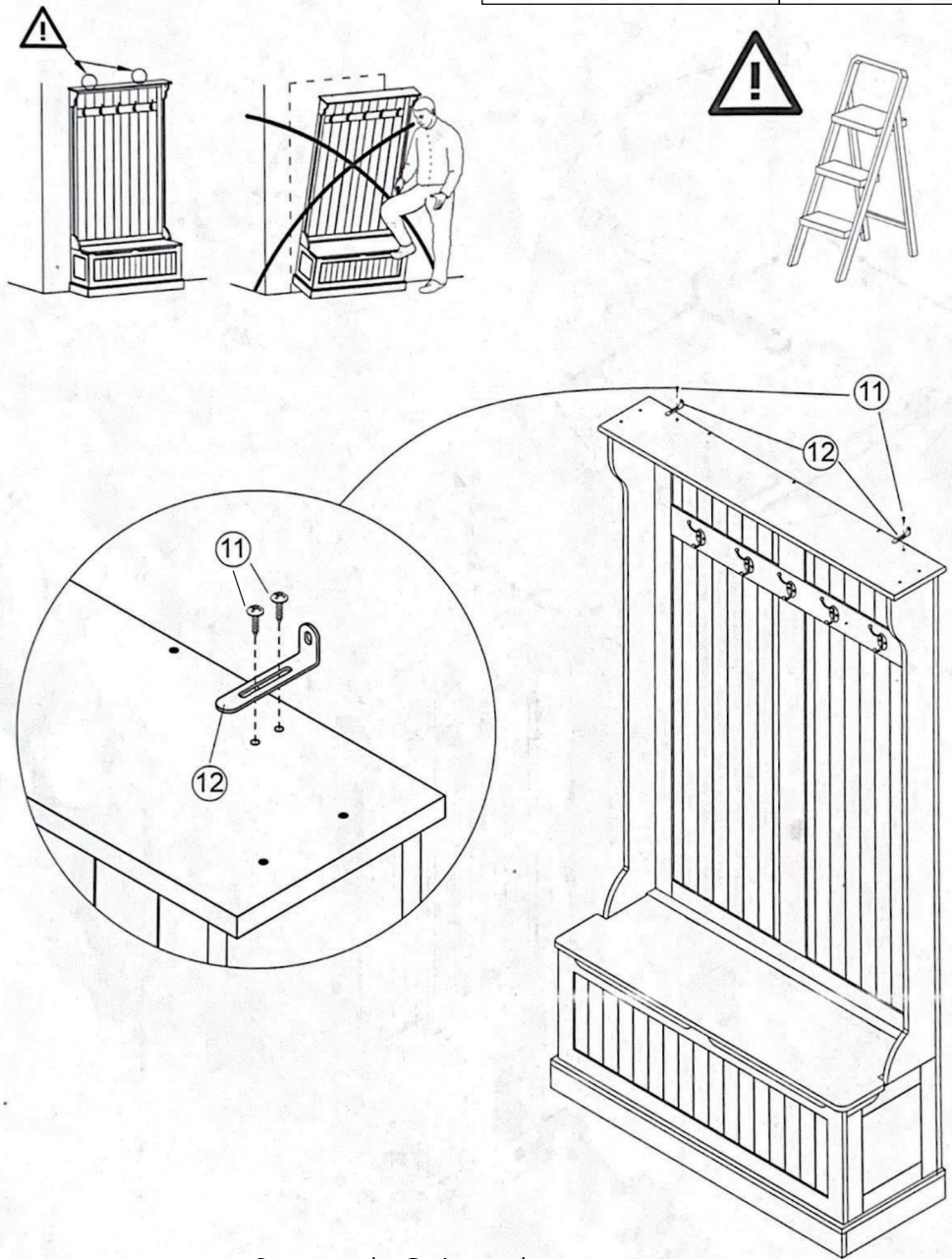
③ × 5	⑩ × 10
	 Ø3×12mm



Product Name:	White MDF Hall Tree with Bench and Shoe Storage
SKU #:	WHIF999


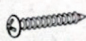
Step 15

①① ×4	①② ×2
 Ø4×12mm	



Product Name:	White MDF Hall Tree with Bench and Shoe Storage
SKU #:	WHIF999

Step 16

⑬ × 2	⑬ × 2
	 Ø4×30mm

