

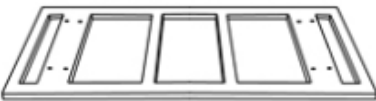
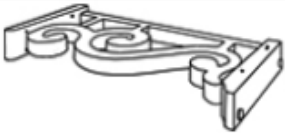
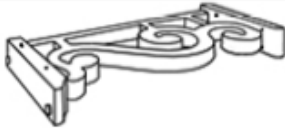


<b>Product Name:</b>	Wood Rustic Vintage Console and Entry Table
<b>SKU #:</b>	WHIF776

Thank you for purchasing this Luxen Home product. This product has been manufactured with the highest standards of safety and quality.





**PLEASE READ ALL INSTRUCTIONS BEFORE ASSEMBLY.**

Unpack all parts from Styrofoam and bubble wrap inside the carton to ensure there are no missing or damaged parts. If any parts are missing or damaged, do not attempt to assemble or use the product.

**CARTON CONTENTS:**

<b>A</b>		1pc
<b>B</b>		1pc
<b>C</b>		1pc
<b>D</b>		1pc
<b>E</b>		1pc

**HARDWARE:**

1		Bolt	Φ8*45MML	10pcs
2		Bolt	Φ8*50MML	1pc
3		Bolt	Φ8*70MML	2pcs
4		Allen wrench		1pc

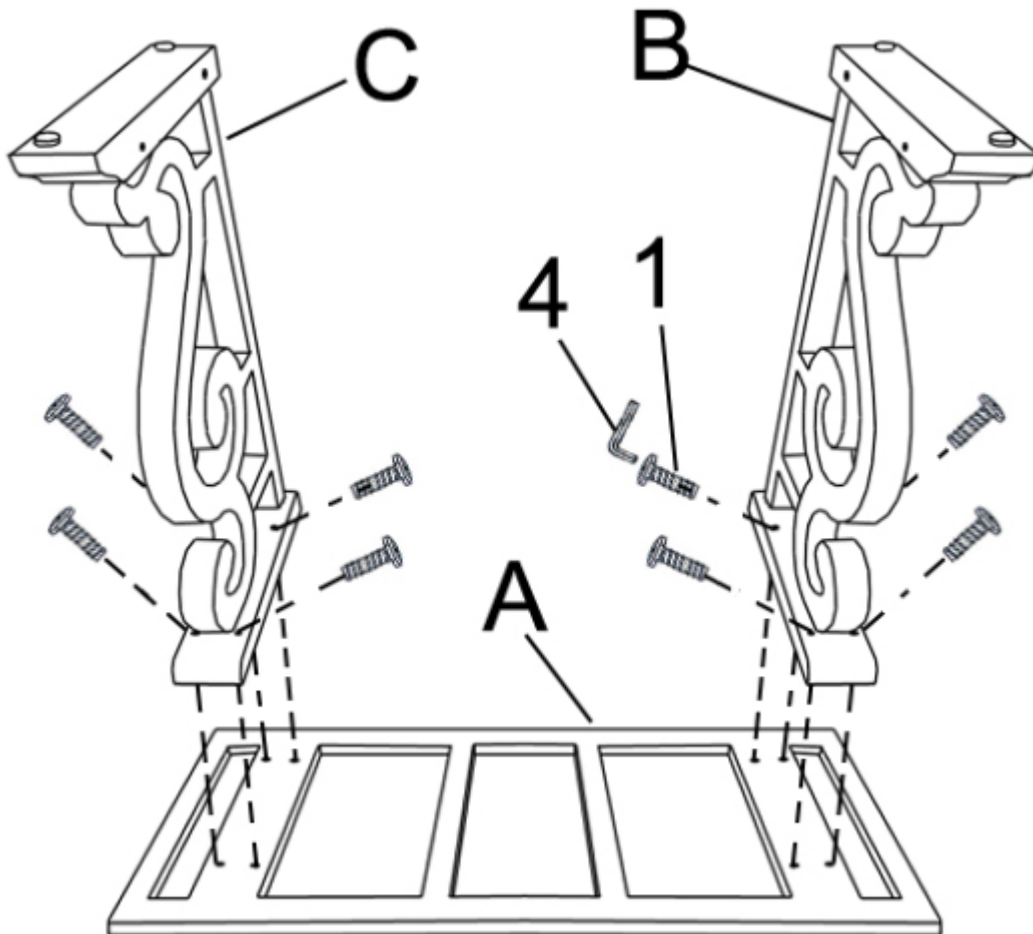
**Tools required for assembly:** Allen wrench provided (use power tools with care)

<b>Product Name:</b>	Wood Rustic Vintage Console and Entry Table
<b>SKU #:</b>	WHIF776

### Assembly Instructions:

#### Step 1

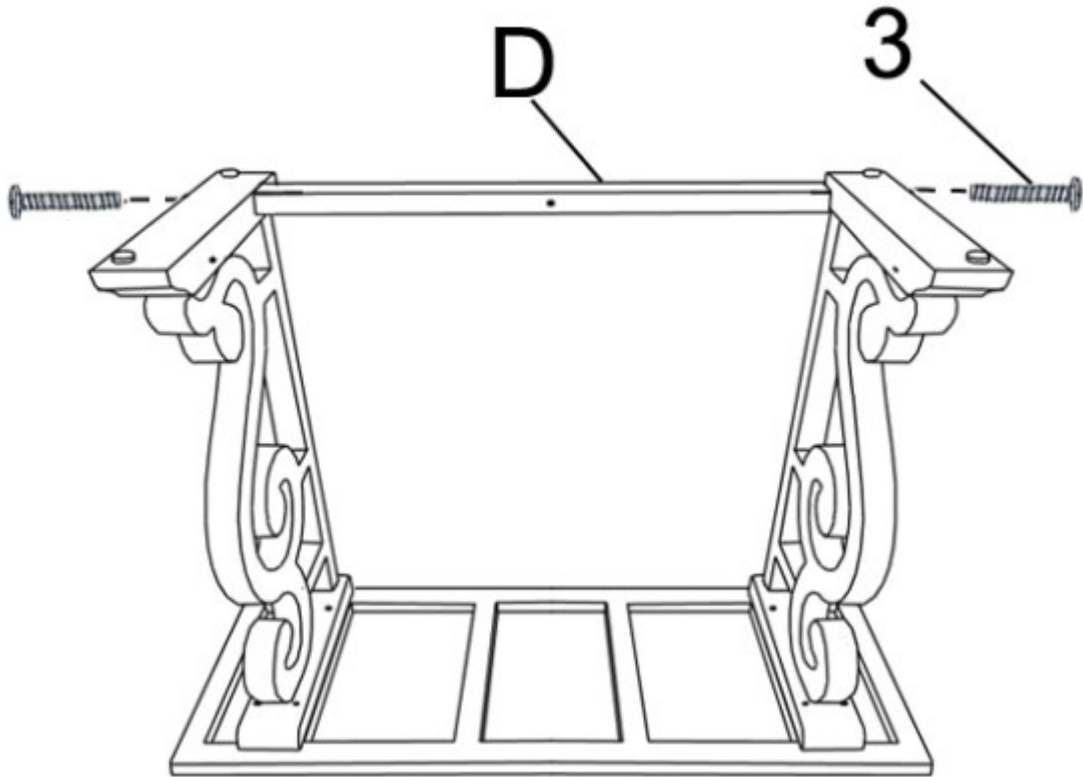
On a soft leveled surface, place table top (A) upside down. Align legs (C and B) on (A) and tighten bolts (1) in with Allen wrench (4).



<b>Product Name:</b>	Wood Rustic Vintage Console and Entry Table
<b>SKU #:</b>	WHIF776

### Step 2

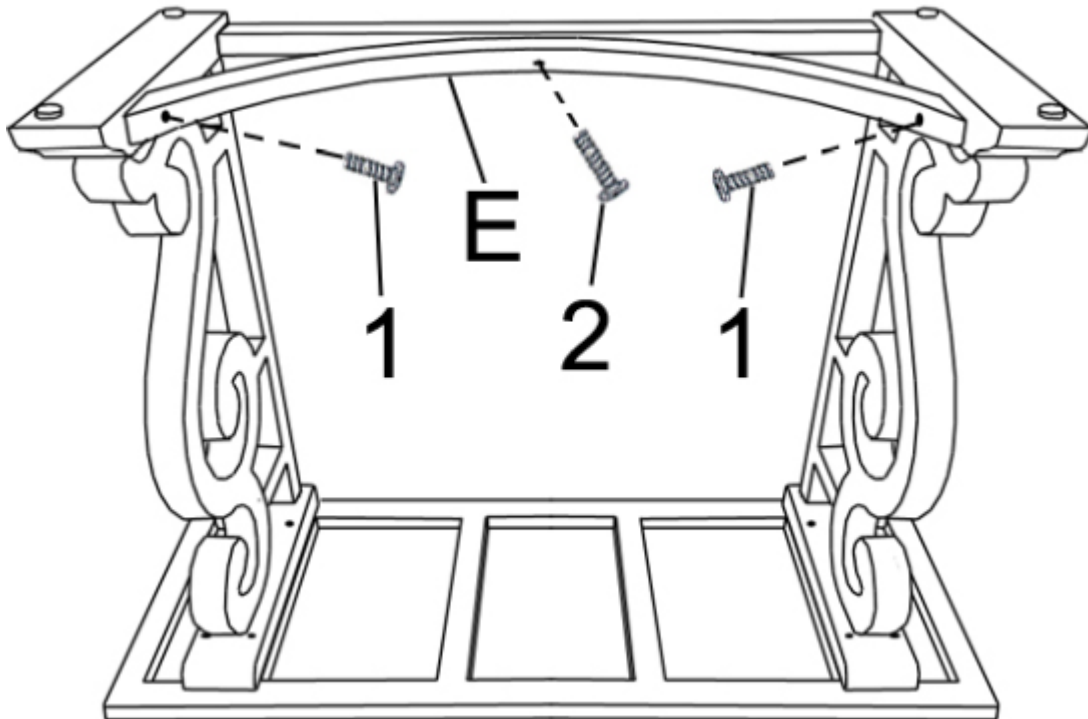
Align the bar (D) in between the legs. Insert and tighten bolts (3).



<b>Product Name:</b>	Wood Rustic Vintage Console and Entry Table
<b>SKU #:</b>	WHIF776

### Step 3

Align the curved bar (E) in between the legs. Insert and tighten bolts (1 and 2).



To clean use a damp or dry cloth to wipe body of the table.



#### Special Warnings and Cautions:

To avoid injury and/or damage, please do not sit or stand on the table as this may cause serious bodily injuries and/or product damage.