

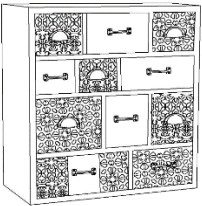
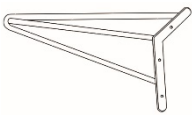


Product Name:	Metal and Wood Multi-Storage Cabinet
SKU #:	WHIF756

Thank you for purchasing this Luxen Home product. This product has been manufactured with the highest standards of safety and quality.


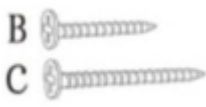


PLEASE READ ALL INSTRUCTIONS BEFORE ASSEMBLY.

Unpack all parts from Styrofoam and bubble wrap inside the carton to ensure there are no missing or damaged parts. If any parts are missing or damaged, do not attempt to assemble or use the product.

CARTON CONTENTS:

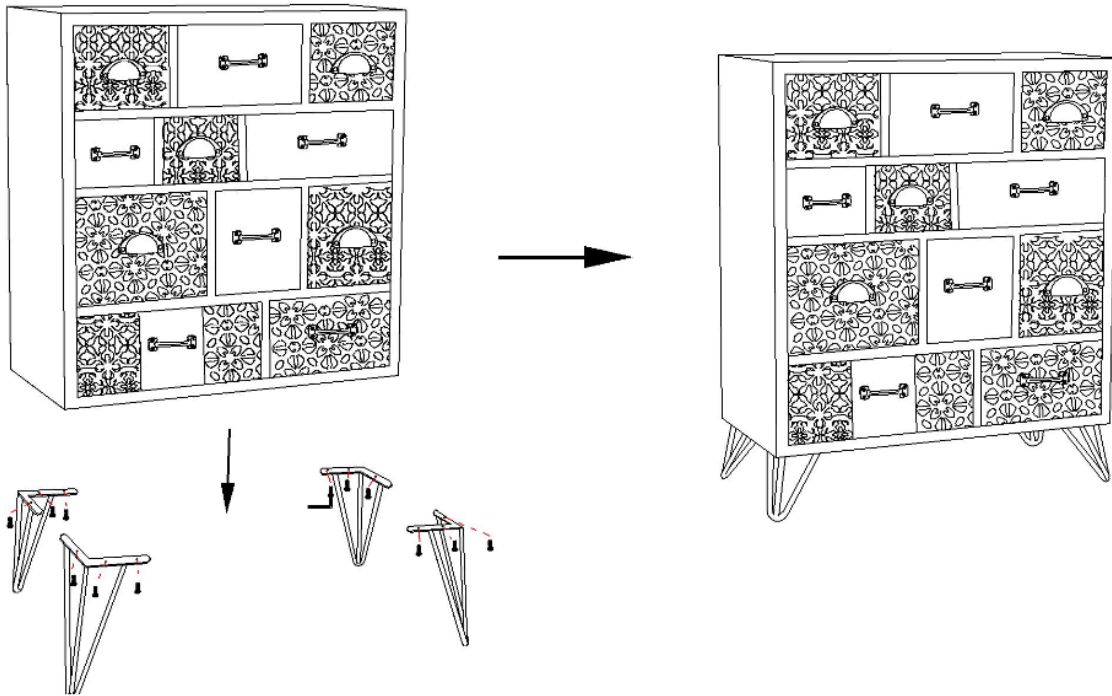
			
Cabinet 1pc	Metal Legs 4pcs	Screws 12pcs	Allen Wrench 1pc

Anti-Tip Restraint Kit

			
(A) Wall Brackets 2pc	(B) 15mm Screw 1pc (C) 36mm Screw 1pc	(D) Nylon Strap 1pc	(E) Wall Anchor 1pc

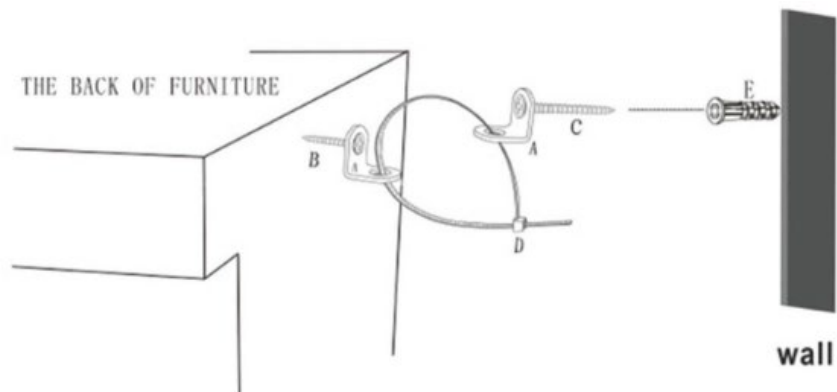
Product Name:	Metal and Wood Multi-Storage Cabinet
SKU #:	WHIF756

Cabinet Assembly:



Tighten each screw firmly. DO NOT over tighten any of the screws as this may cause stripping. When using power tools, be careful not to damage the wood.


Anti-Tip Instructions



Please save this manual for future reference.

Product Name:	Metal and Wood Multi-Storage Cabinet
SKU #:	WHIF756



 **Warning:** DO NOT sit or stand on the table as this may damage the product and cause serious bodily injury.