



Instruction Manual

Please save this manual for future reference.


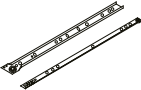







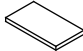




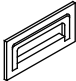
Product Name:	Black X-Leg Accent End Table with Storage
SKU #:	WHIF626

Thank you for purchasing this Winsome House product. This product has been manufactured with the highest standards of safety and quality.

PLEASE READ ALL INSTRUCTIONS BEFORE ASSEMBLY.

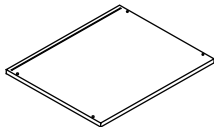
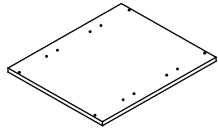
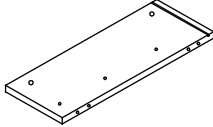
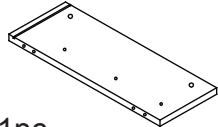
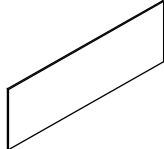
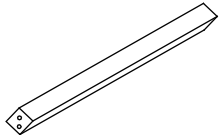
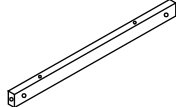
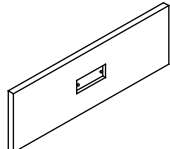
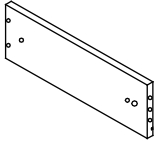
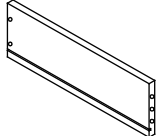
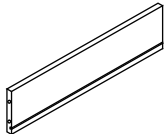
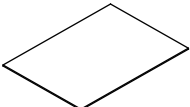
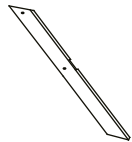
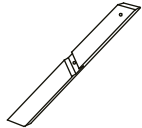
Unpack all parts from Styrofoam and bubble wrap inside the carton to ensure there are no missing or damaged parts. If any parts are missing or damaged, do not attempt to assemble or use the product.

Hardware:

(A)  Cam Bolt -- 6pcs	(I)  -- 2pcs
(B)  Cam Lock -- 6pcs	(J)  -- 2pcs
(C)  Screw -- 12pcs	(K)  Wooden Dowel -- 14pcs
(D)  Screw -- 10pcs	(L)  Screw -- 2pcs
(E)  Bolt -- 4pcs	(M)  -- 4pcs
(F)  Bolt Nut -- 4pcs	(N)  Buckle -- 4pcs
(G)  Screw -- 2pcs	(O)  Screw -- 4pcs
(H)  Handle -- 1pc	

Product Name:	Black X-Leg Accent End Table with Storage
SKU #:	WHIF626

Panels:

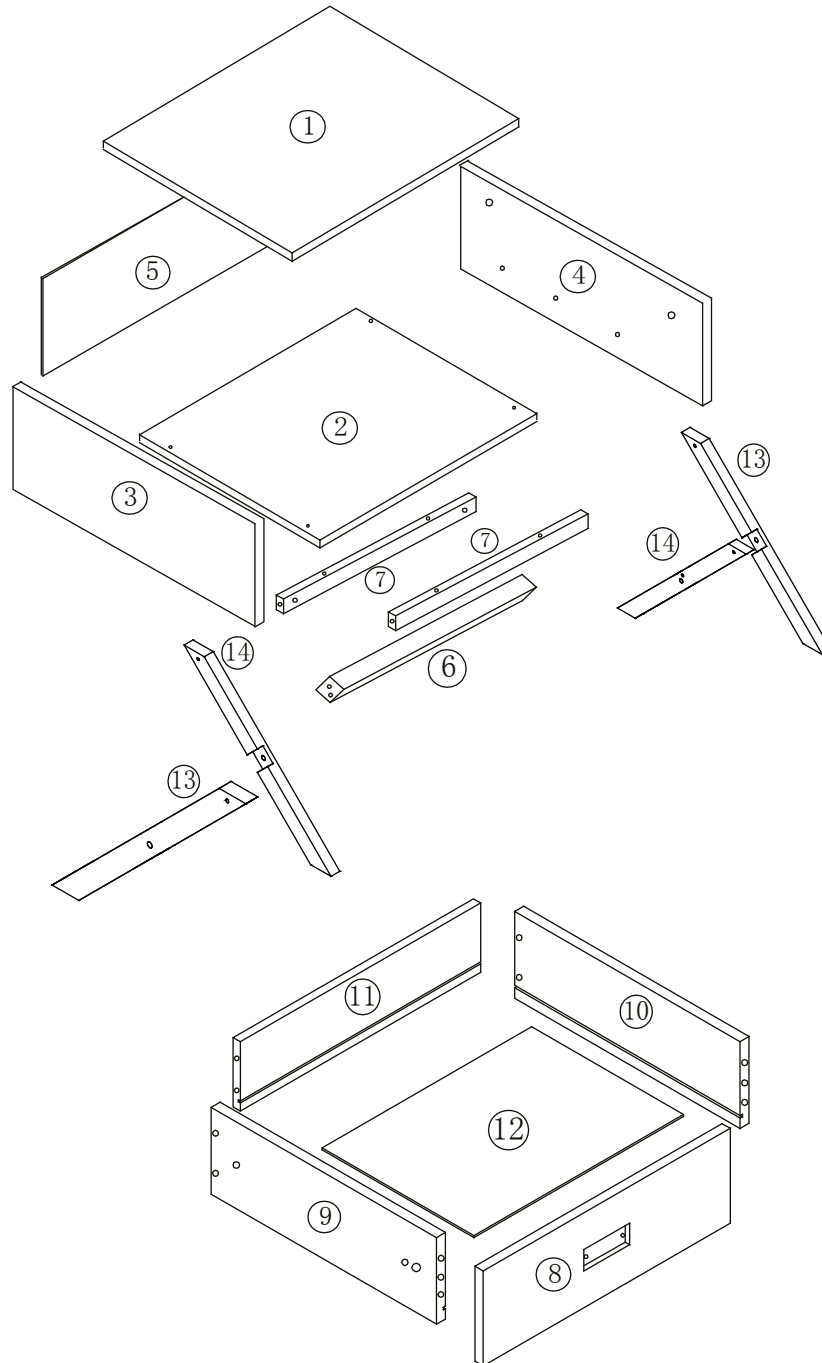
<p>①</p>  <p>Top -- 1pc</p>	<p>②</p>  <p>Bottom panel -- 1pc</p>
<p>③</p>  <p>Left side panel -- 1pc</p>	<p>④</p>  <p>Right side panel -- 1pc</p>
<p>⑤</p>  <p>Back panel -- 1pc</p>	<p>⑥</p>  <p>Stretcher -- 1pc</p>
<p>⑦</p>  <p>Front and back stretcher -- 2pcs</p>	<p>⑧</p>  <p>Drawer front panel -- 1pc</p>
<p>⑨</p>  <p>Drawer left side panel -- 1pc</p>	<p>⑩</p>  <p>Drawer right side panel -- 1pc</p>
<p>⑪</p>  <p>Drawer back panel-- 1pc</p>	<p>⑫</p>  <p>Drawer bottom -- 1pc</p>
<p>⑬</p>  <p>Front leg -- 2pcs</p>	<p>⑭</p>  <p>Back leg -- 2pcs</p>

Tools required for assembly: Philips screwdriver and Flathead Screwdriver. (If using power tools, use with care.)

Contact: sales@winsomehouse.com

Product Name:	Black X-Leg Accent End Table with Storage
SKU #:	WHIF626

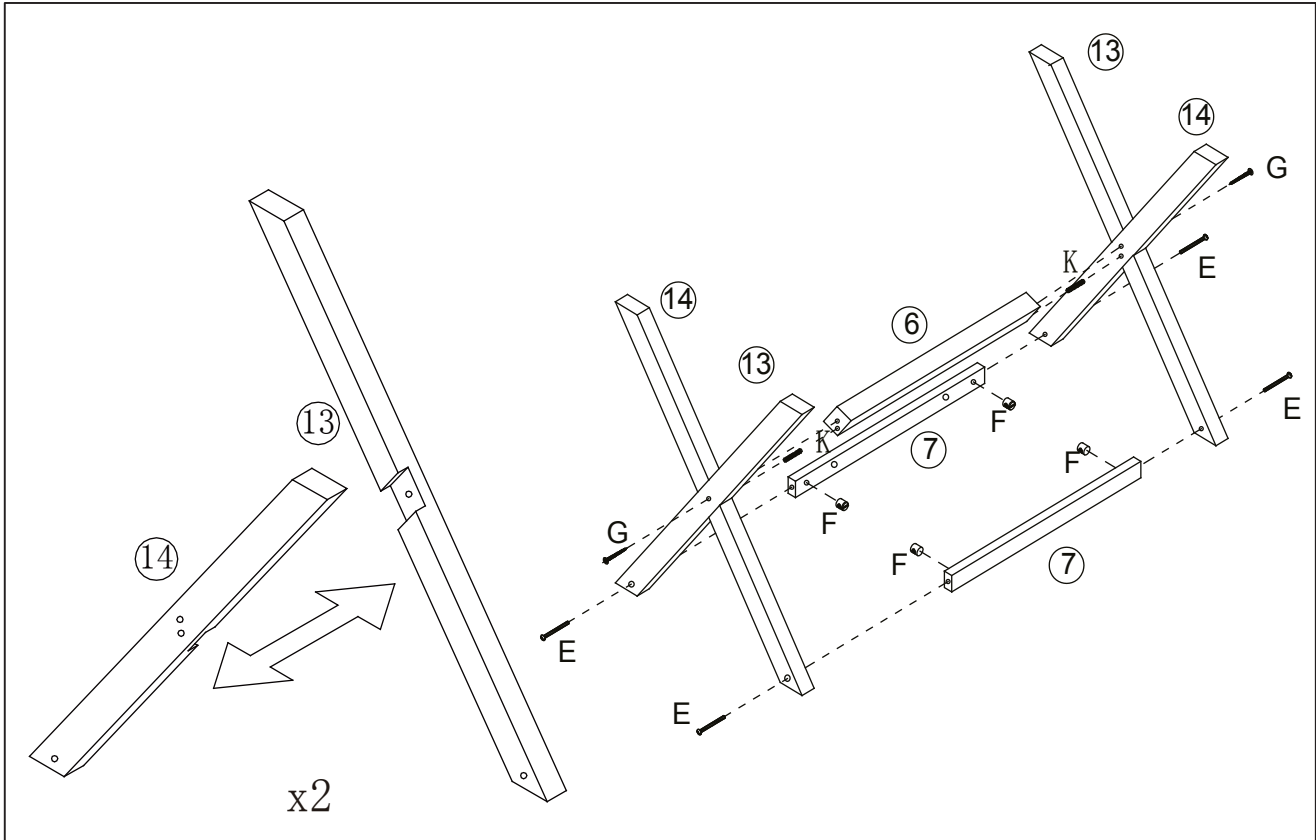
Panels:



Product Name:	Black X-Leg Accent End Table with Storage
SKU #:	WHIF626

Step 1

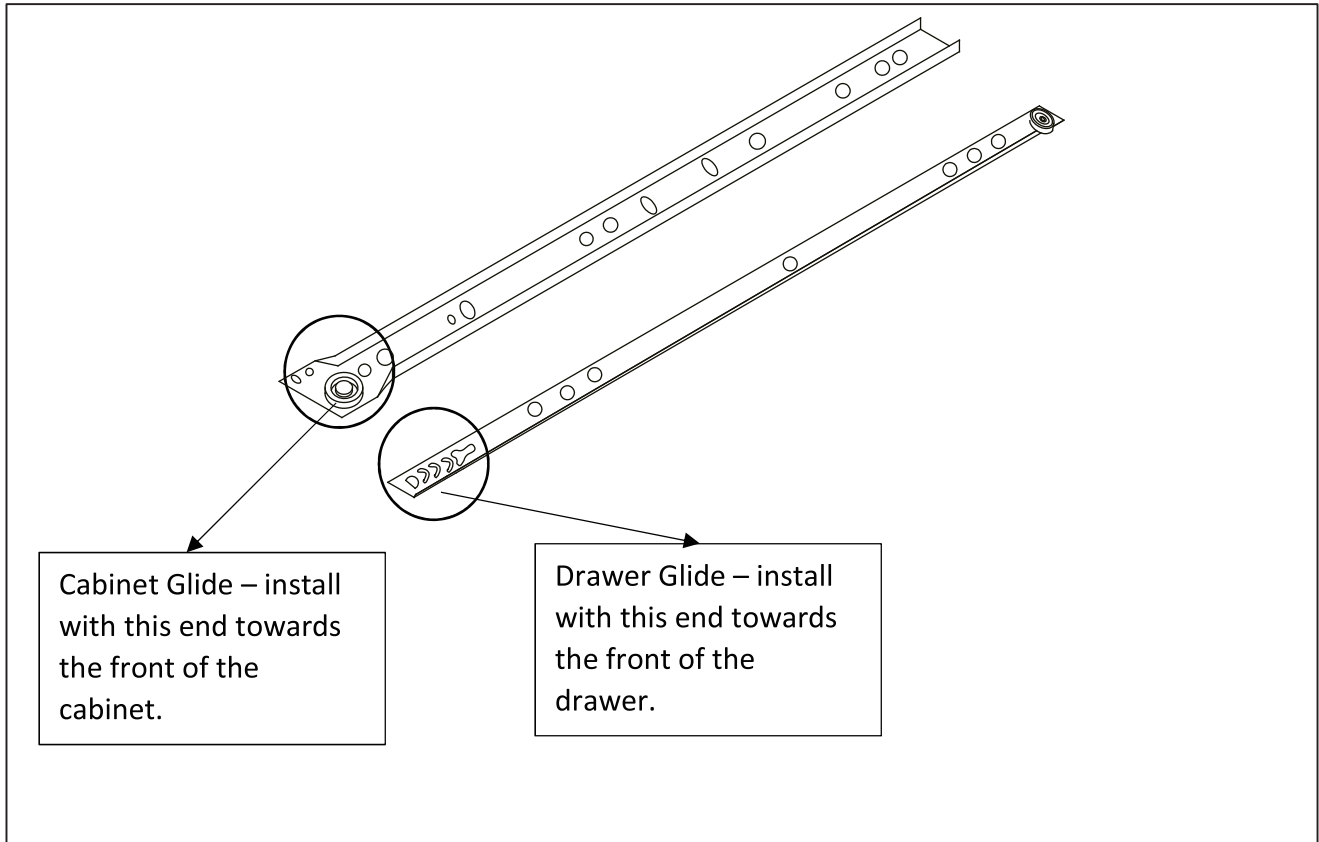
Insert hardware (K) to legs (14) and (13). Assemble leg (14) and (13) to bar (6) with hardware (G). Assemble leg (14) and (13) to bars (7) using hardware (E). Insert hardware (F) to the bars (7), and tighten.



Important: Tighten each screw firmly. DO NOT over tighten any of the screws as this may cause stripping or cause the wood to crack. DO NOT sit or stand on the furniture as this may damage the product and cause serious bodily injury.

Product Name:	Black X-Leg Accent End Table with Storage
SKU #:	WHIF626

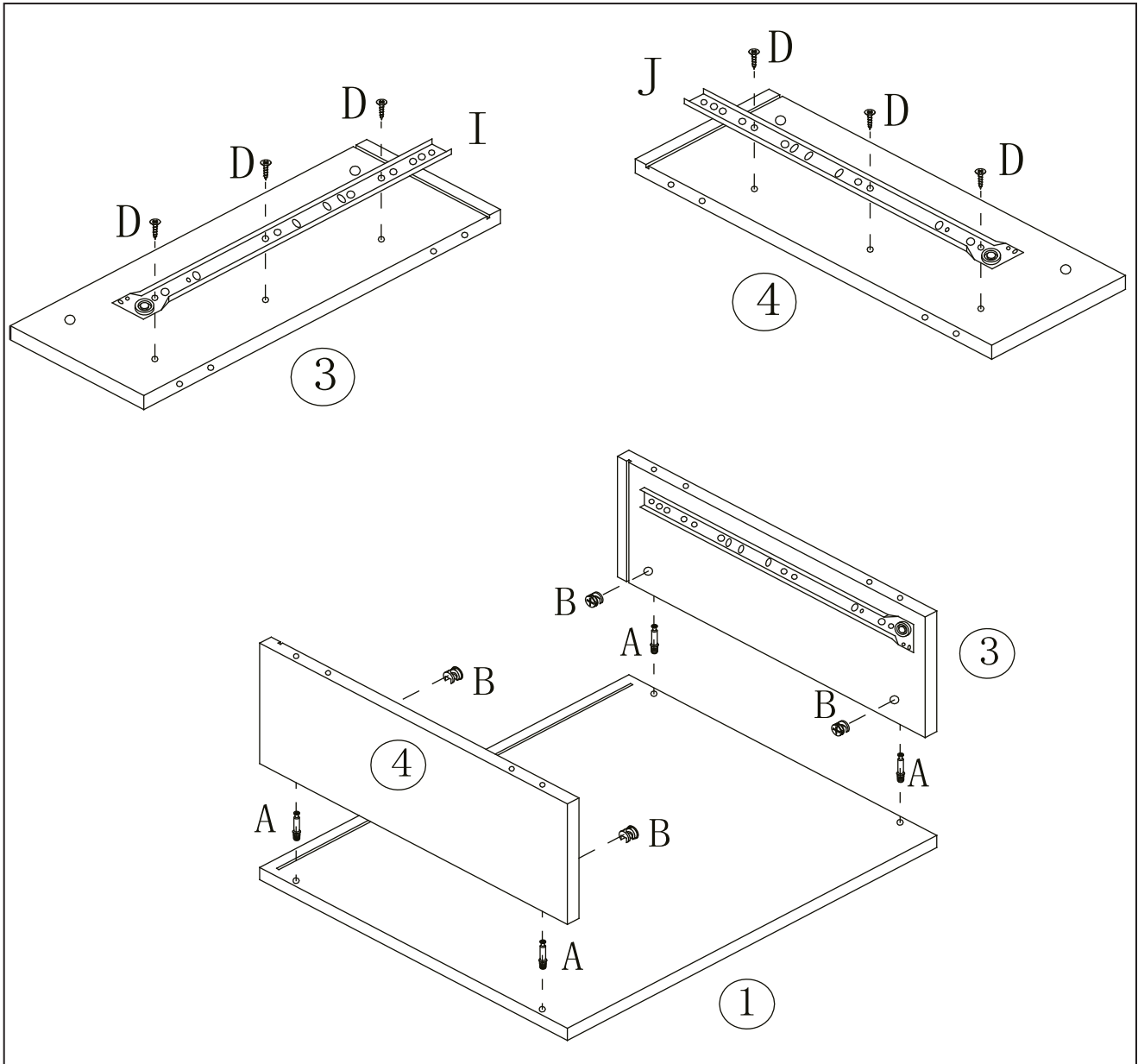
Note (Hardware (I) and (J)):



Product Name:	Black X-Leg Accent End Table with Storage
SKU #:	WHIF626

Step 2

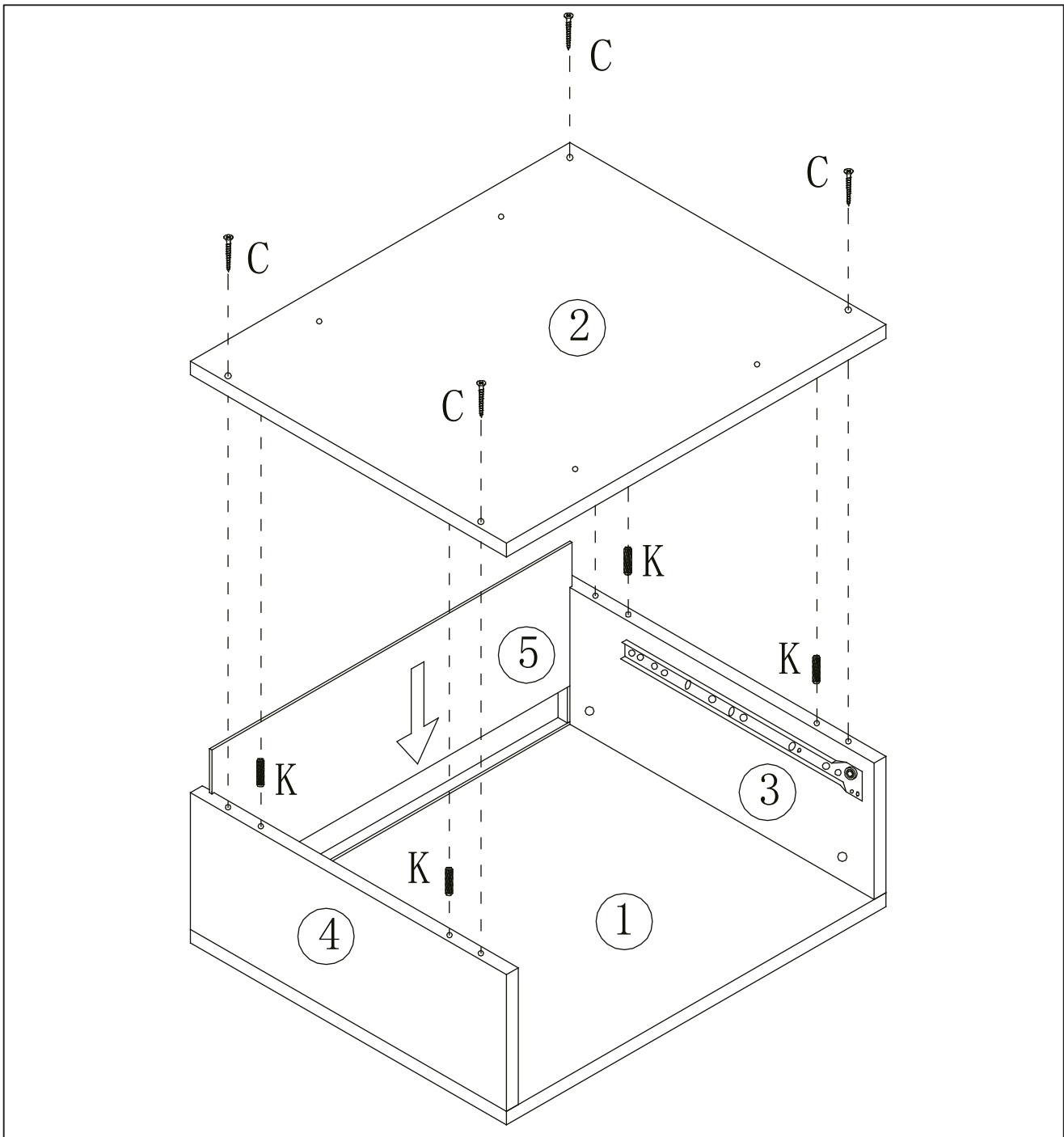
Attach glide (I) to the panel (3) with hardware (D). Attach glide (J) to panel (4) with hardware (D). Insert hardware (A) to bottom panel (1) and attach sides (3) and (4) then insert (B) and tighten.



Product Name:	Black X-Leg Accent End Table with Storage
SKU #:	WHIF626

Step 3

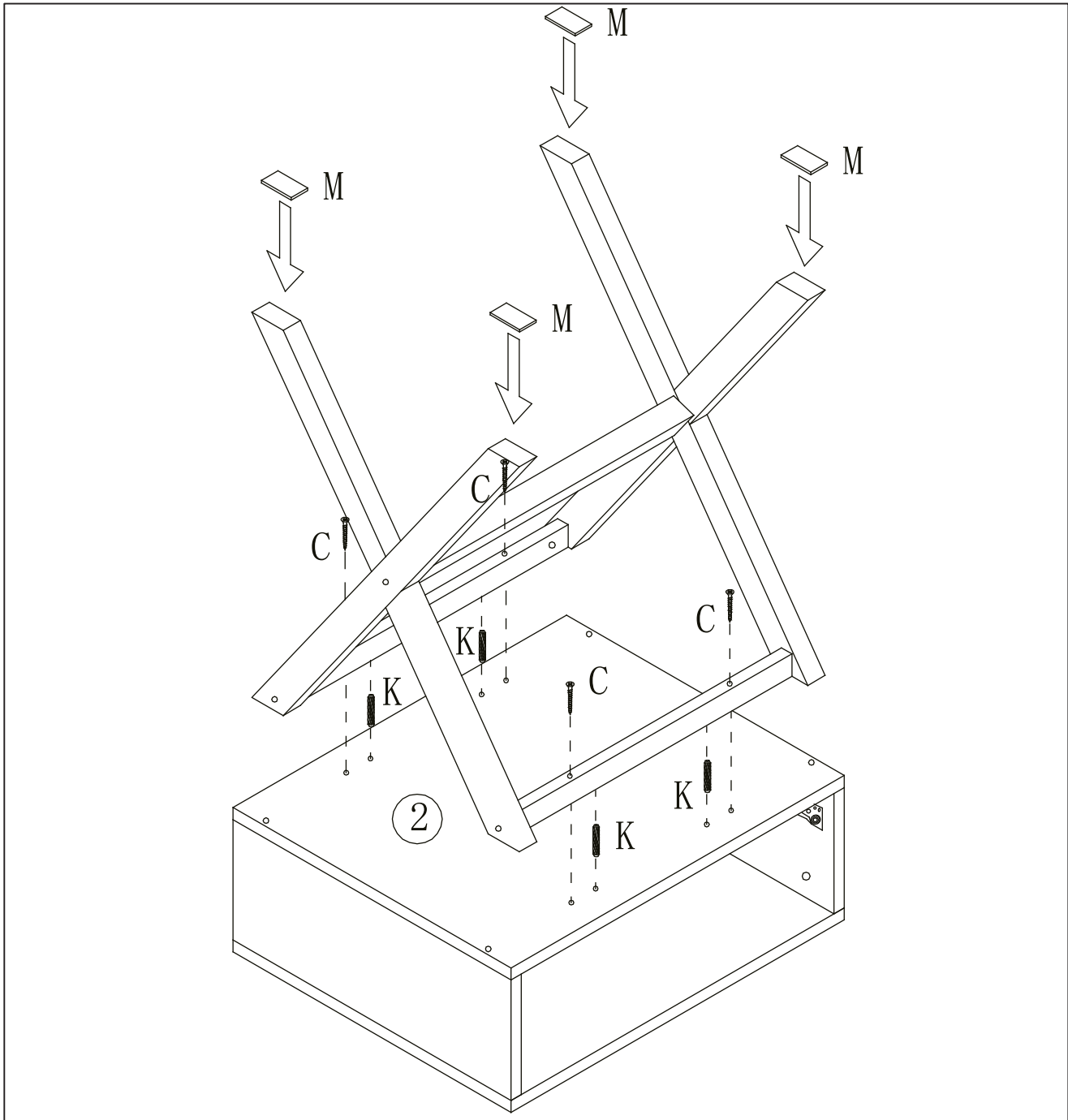
Insert hardware (K) into panels (4) and (3) and attach panel (2) on top. Secure with hardware (C).



Product Name:	Black X-Leg Accent End Table with Storage
SKU #:	WHIF626

Step 4

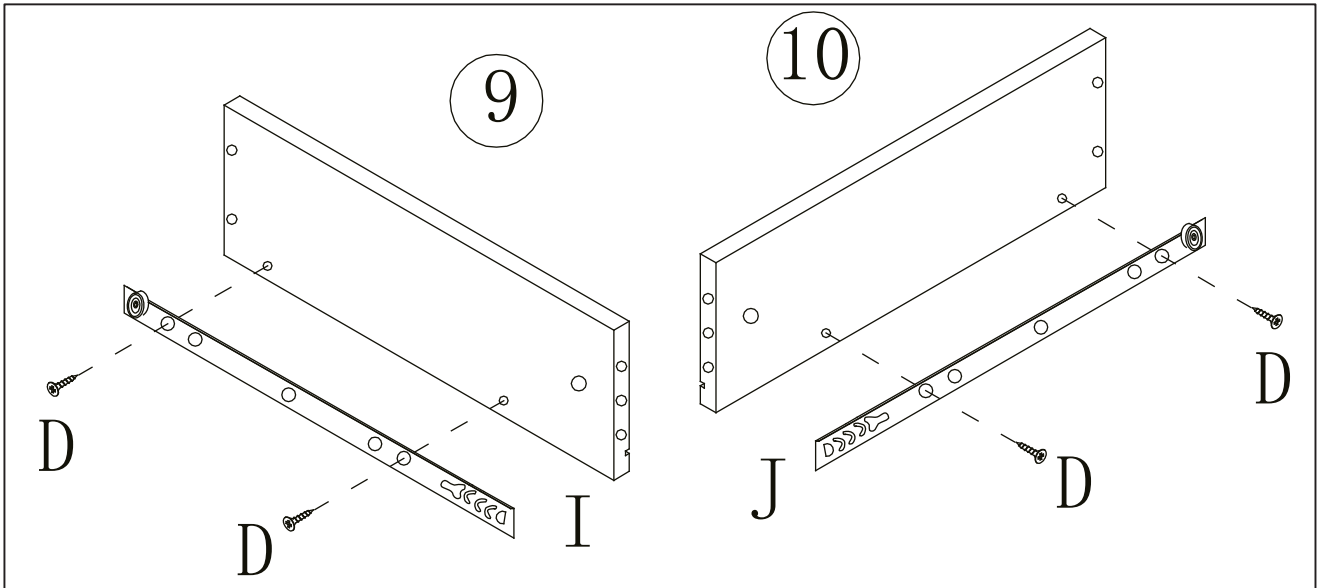
Insert hardware (K) to the bottom of panel (2) and attach legs then secure with hardware (C). Attach footpads (M) to end of legs.



Product Name:	Black X-Leg Accent End Table with Storage
SKU #:	WHIF626

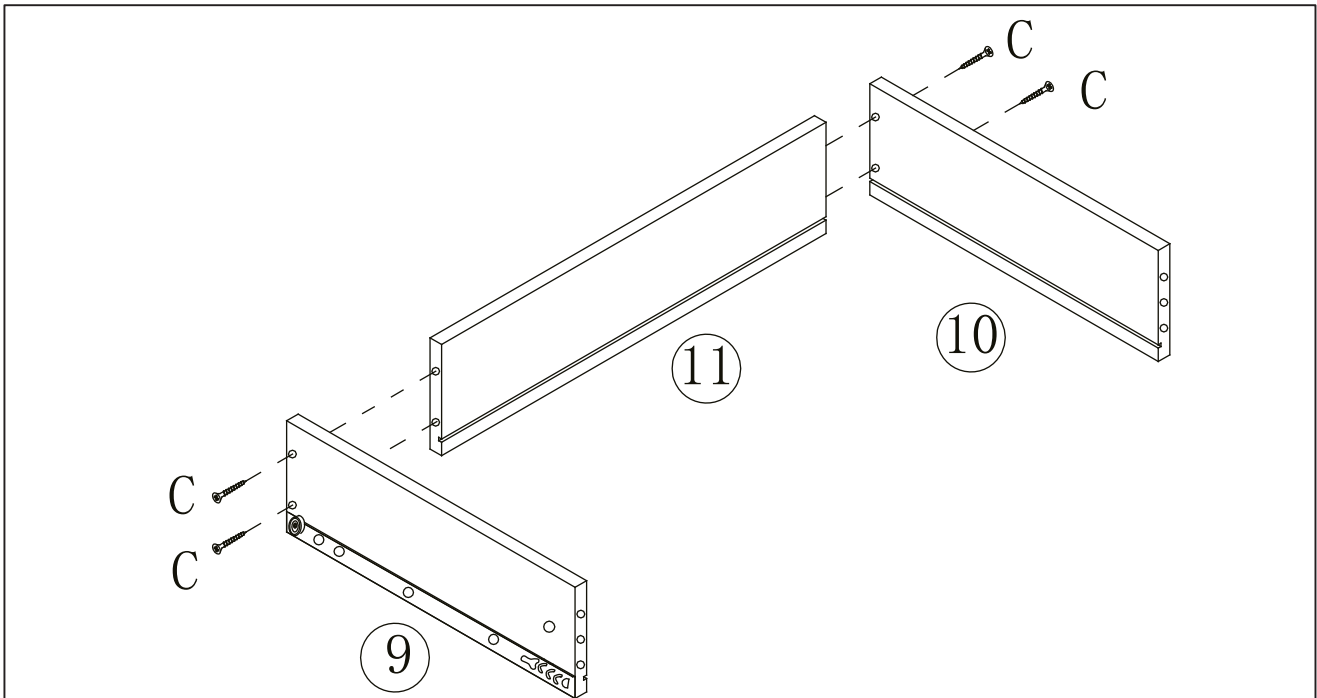
Step 5

Install glide (I) to panel (9) with hardware (D). Install glide (J) to panel (10) with hardware (D).



Step 6

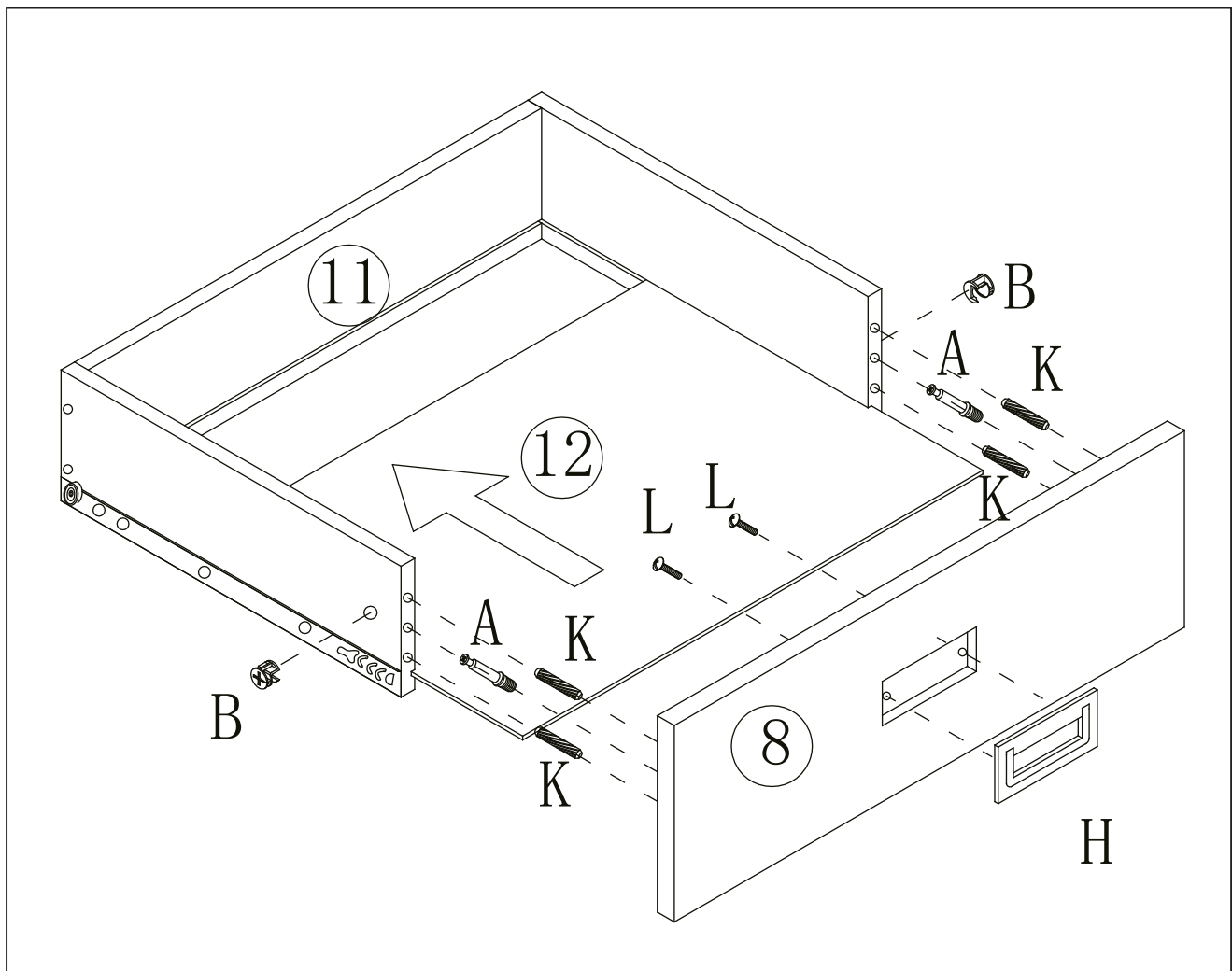
Attached drawer sides (9) and (10) to back drawer panel (11). Glides will be facing outwards.



Product Name:	Black X-Leg Accent End Table with Storage
SKU #:	WHIF626

Step 7

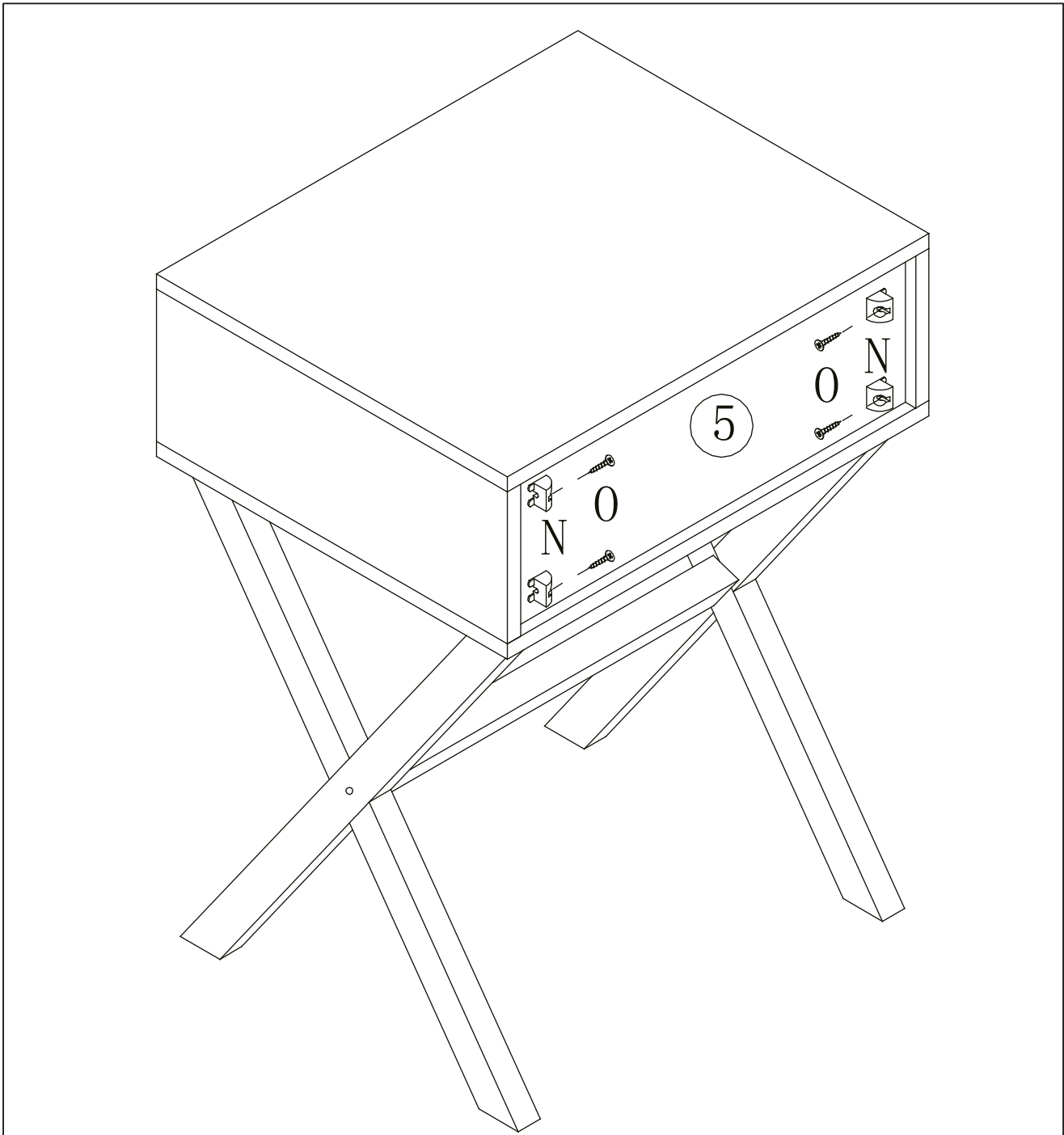
Slide in bottom panel (12) to into the slots of sides (9) and (10). Attach handle (H) to the front of the drawer panel (8) with hardware (L). Insert hardware (K) to sides (9) and (10). Insert hardware (A) to drawer front (8) and attach to (9) and (10). Insert hardware (B) to (9) and (10) and tighten.



Product Name:	Black X-Leg Accent End Table with Storage
SKU #:	WHIF626

Step 8

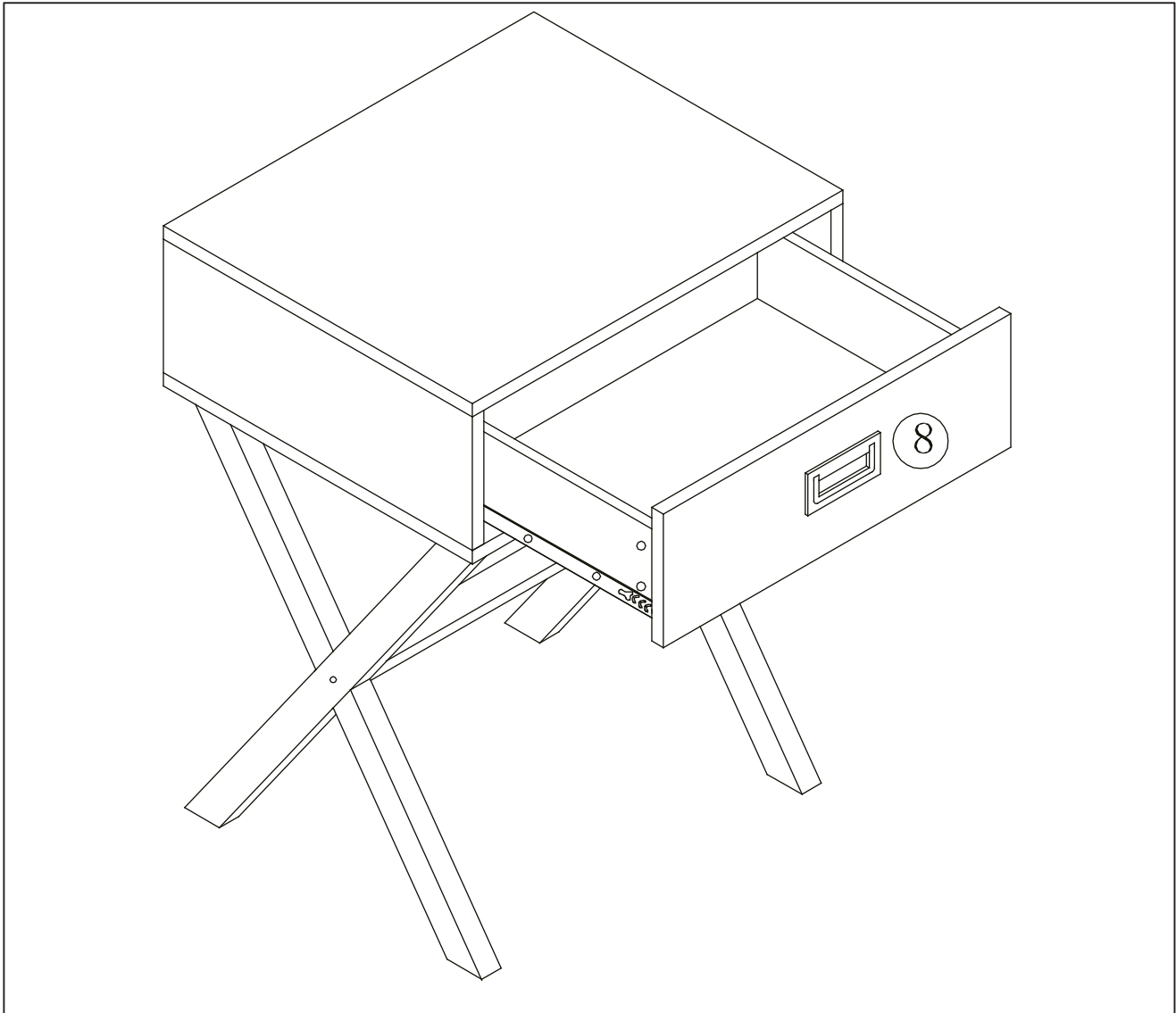
Attach (N) on back of (5) with hardware (O).



Product Name:	Black X-Leg Accent End Table with Storage
SKU #:	WHIF626

Step 9

Place drawer in to end table. Gently shake table to ensure that it is stable. Tighten hardware as needed.



Enjoy your table!



WARNING: FOR YOUR SAFETY! To avoid injury and/or damage, please do not sit, stand, or climb on the table as this may cause serious bodily injuries and/or product damage.