






Product Name:	Wood and Metal 63in. H 5-Tier Etagere
SKU #:	WHIF600

Thank you for purchasing this Luxen Home product. This product has been manufactured with the highest standards of safety and quality.

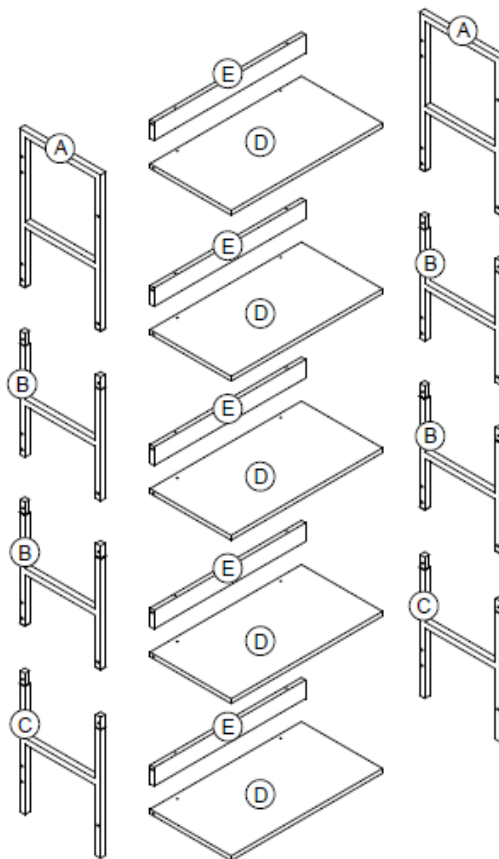
PLEASE READ ALL INSTRUCTIONS BEFORE ASSEMBLY.

Unpack all parts from Styrofoam and bubble wrap inside the carton to ensure there are no missing or damaged parts. If any parts are missing or damaged, do not attempt to assemble or use the product.

Hardware:

F x10	G x30	x1	H x2	I x1
				

Panels:

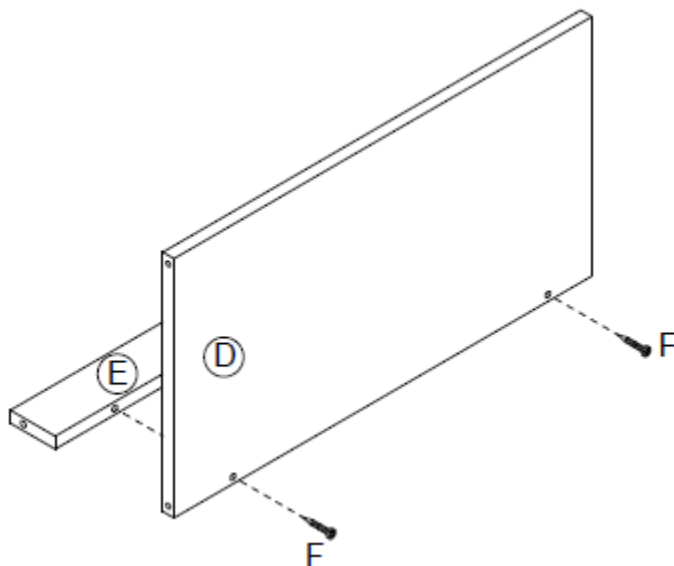


Tools required for assembly: Allen Wrench (included). Ok to use power tools.

Product Name:	Wood and Metal 63in. H 5-Tier Etagere
SKU #:	WHIF600

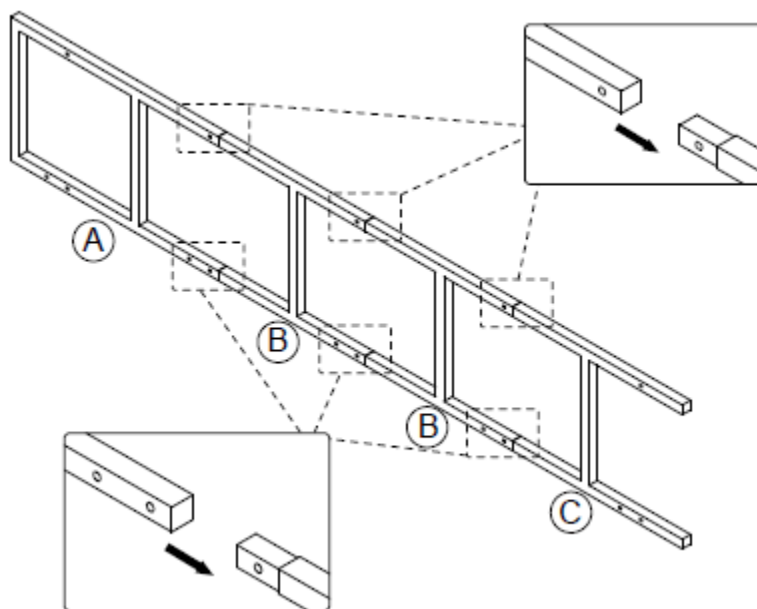
Step 1:

Assemble five sets of frames by attached (E) panel to (D) panel with (F) hardware.



Step 2:

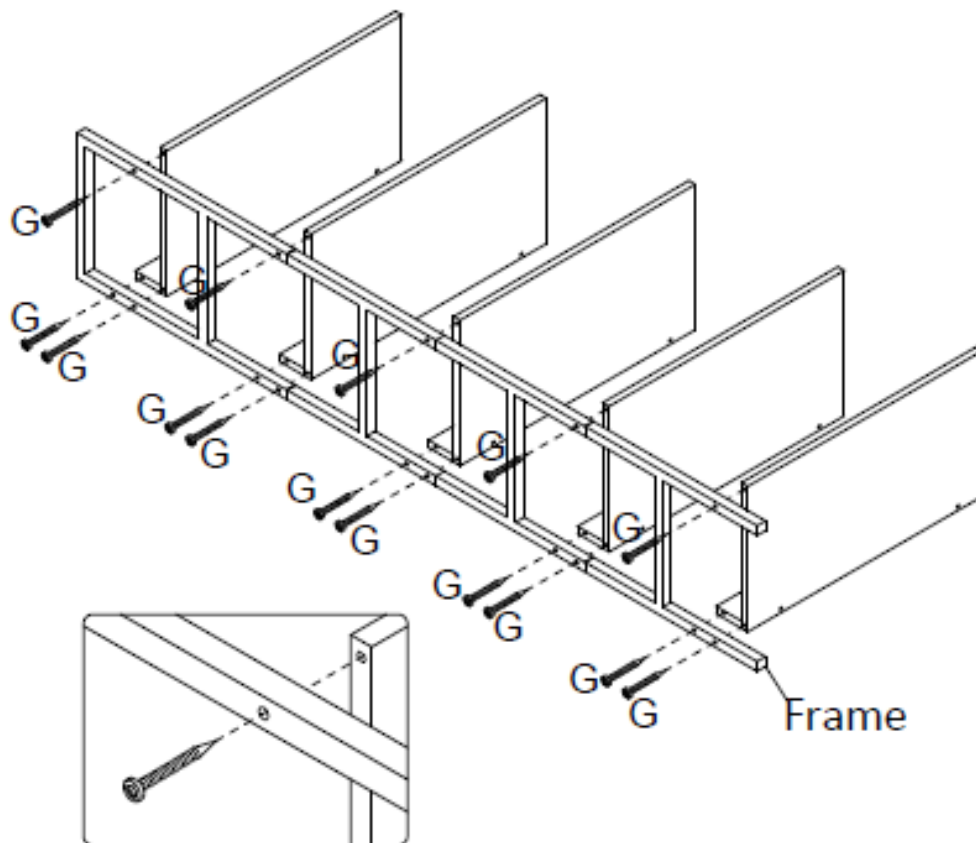
Assemble the two side panels (frames) by inserting the top piece (A) into (B) frame, then (B) frame in a second (B) frame, then into the bottom (C) frame. No hardware required for this step.



Product Name:	Wood and Metal 63in. H 5-Tier Etagere
SKU #:	WHIF600

Step 3:

Attached one frame to the left side of the five panels using (G) hardware. Be careful not to overtighten to avoid stripping of the screws.

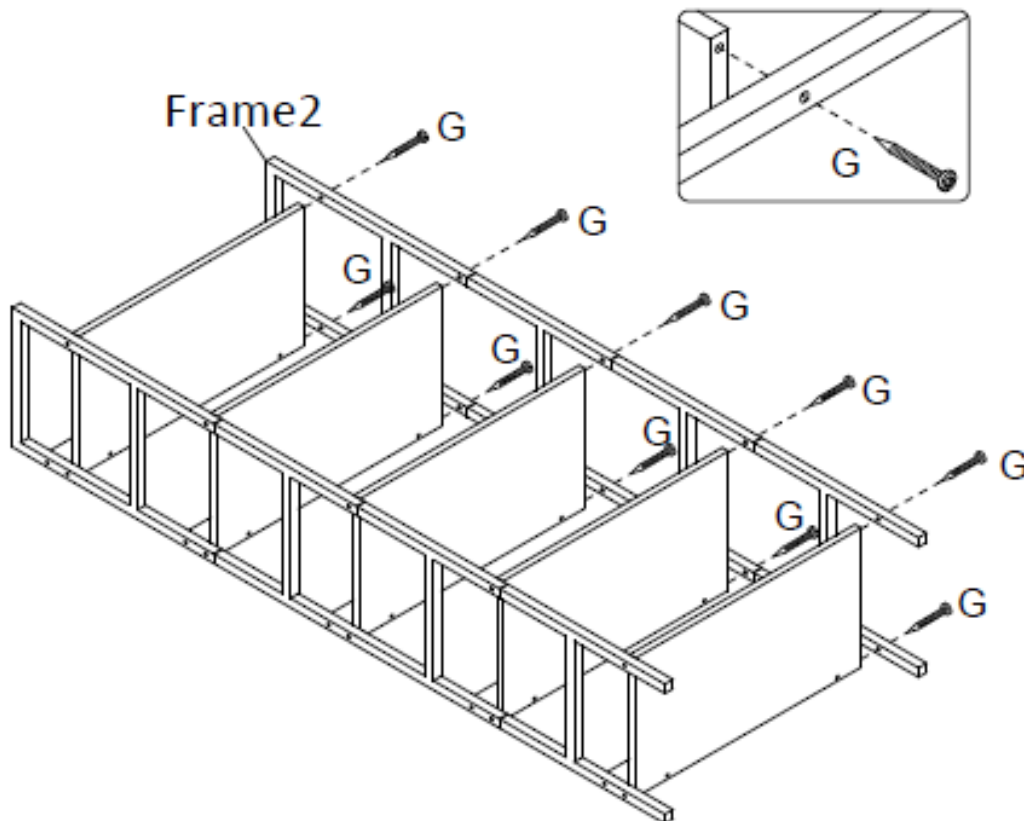


Please save this manual for future reference.

Product Name:	Wood and Metal 63in. H 5-Tier Etagere
SKU #:	WHIF600

Step 4:

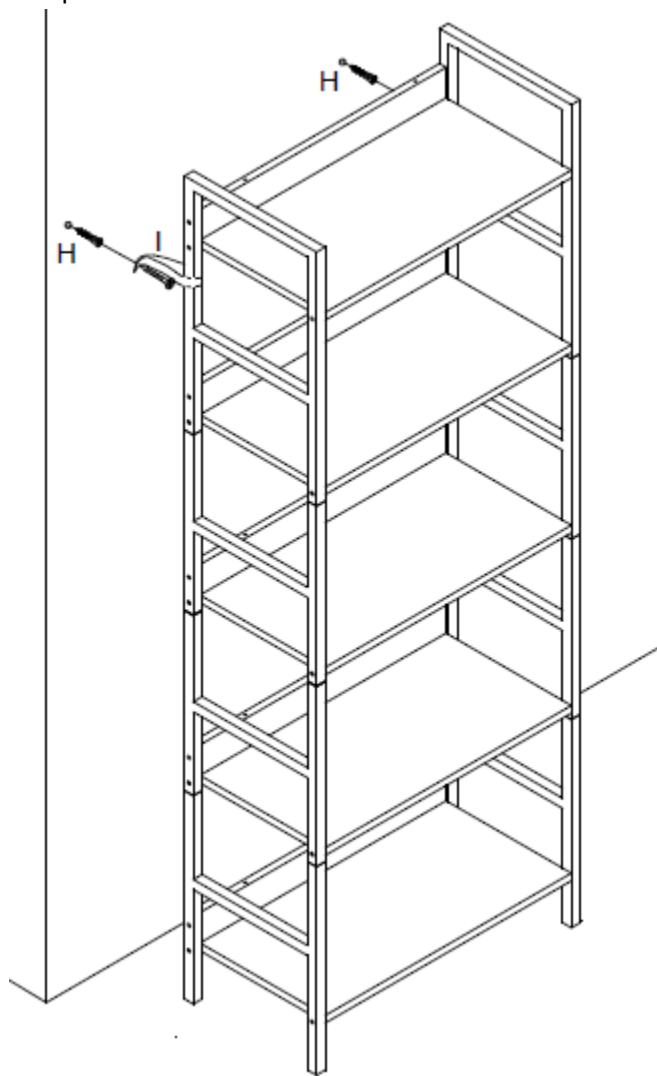
Attached one frame to the right side of the five panels using (G) hardware. Be careful not to overtighten to avoid stripping of the screws.



Product Name:	Wood and Metal 63in. H 5-Tier Etagere
SKU #:	WHIF600

Step 5:

Lift the bookcase into the upright position, and gently shake to ensure stability. Tighten hardware as needed. To ensure additional stability, anti-tip furniture restraint kit is included.



Enjoy your new etagere and bookcase!



WARNING: FOR YOUR SAFETY! To avoid injury and/or damage, please do not climb on the shelves as this may cause serious bodily injuries and/or product damage.