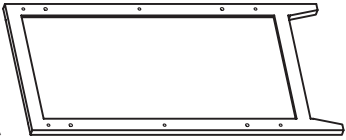

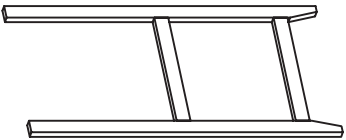
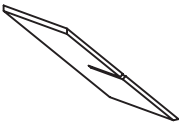
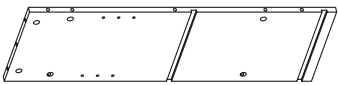
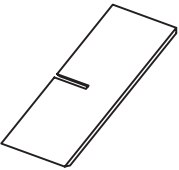
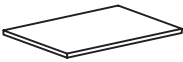

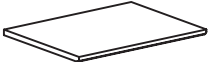



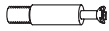






Thank you for purchasing this Winsome House product. This product has been manufactured with the highest standards of safety and quality.

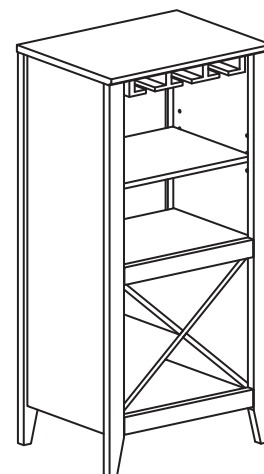
Product Name:	Walnut finish wine cabinet
SKU #:	WHIF415

COMPONENT PARTS

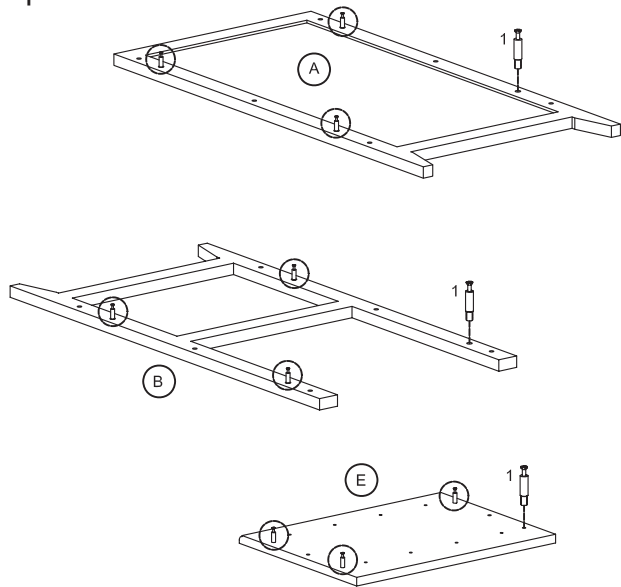
<p>(A) </p> <p>Back Panel -- 1pc</p>	<p>(F) </p> <p>Shelf Panel -- 1pc</p>
<p>(B) </p> <p>Front Panel -- 1pc</p>	<p>(G) </p> <p>Division Panel -- 1pc</p>
<p>(C) </p> <p>Side Panel -- 2pcs</p>	<p>(H) </p> <p>Division Panel -- 1pc</p>
<p>(D) </p> <p>Shelf Panel -- 2pcs</p>	<p>(I) </p> <p>Brace -- 2pcs</p>
<p>(E) </p> <p>Top Panel -- 1pc</p>	<p>(J) </p> <p>Brace -- 2pcs</p>

HARDWARES REQUIRED

(1)		Cam bolt	-- 12pcs
(2)		Cam bolt	-- 14pcs
(3)		Cam lock	-- 12pcs
(4)		Bolt	-- 8pcs
(5)		Wrench	-- 1pc
(6)		Metal connect	-- 4pcs
(7)		Safety strap kit	-- 1set

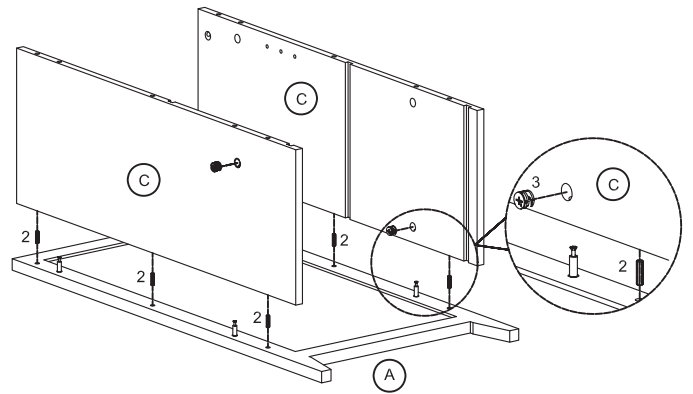


Step 1



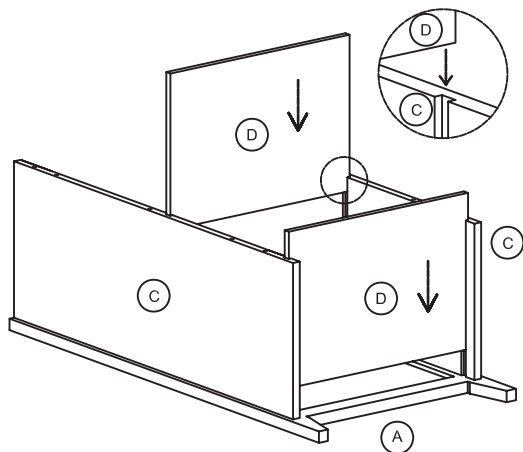
Assemble (1) into (Part# A , B , E), as shown.

Step 2



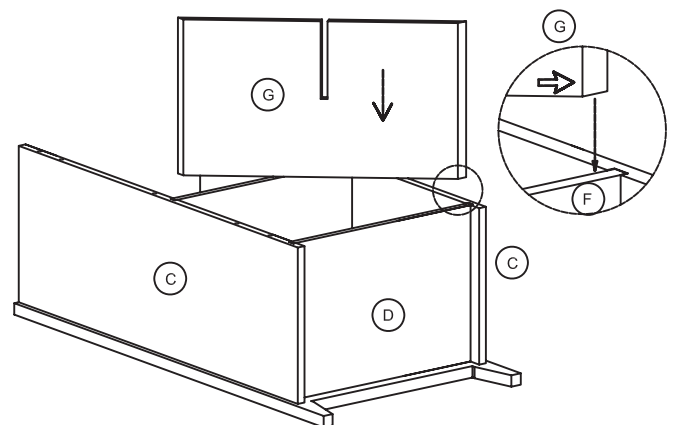
Assemble (Part #C) onto (Part #A) by (2,3), as shown.

Step 3



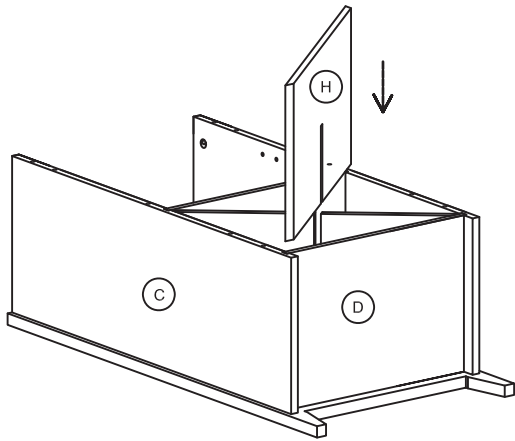
Put (Part #D) into Assembly Unit , as shown.

Step 4



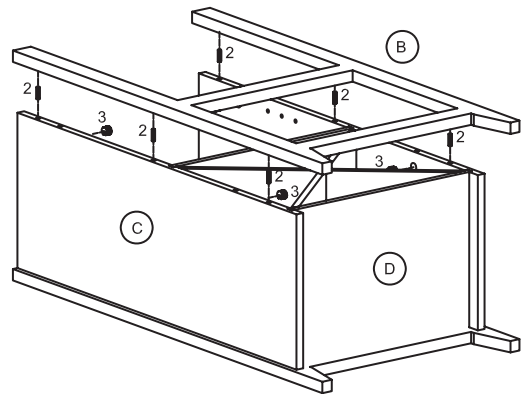
Insert the (Part #G) to Assembly Unit, as shown.

Step 5



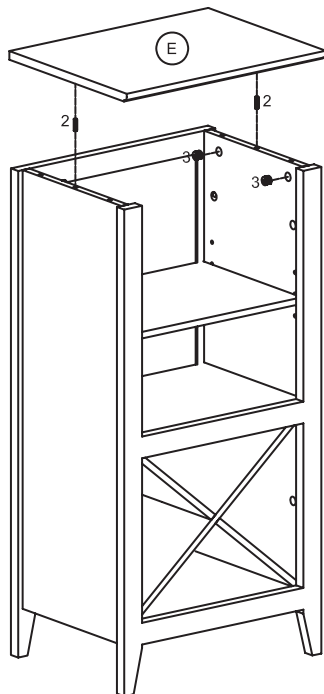
Insert the (Part #H) to Assembly Unit, as shown.

Step 6



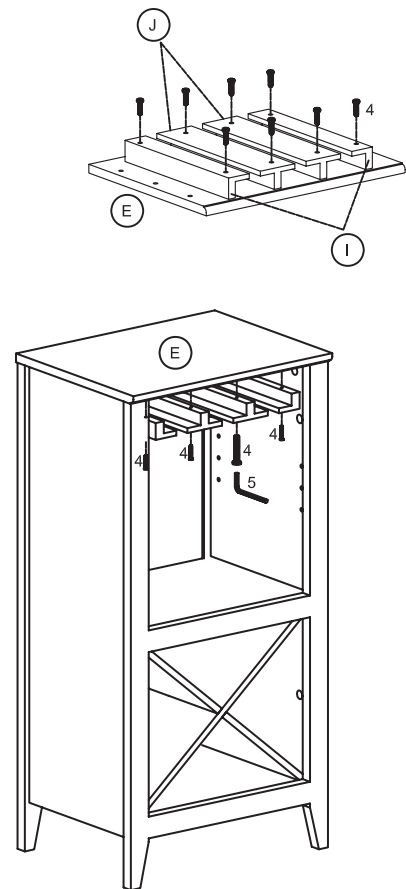
Assemble (Part #B) onto Assembly Unit by (2,3), as shown.

Step 7



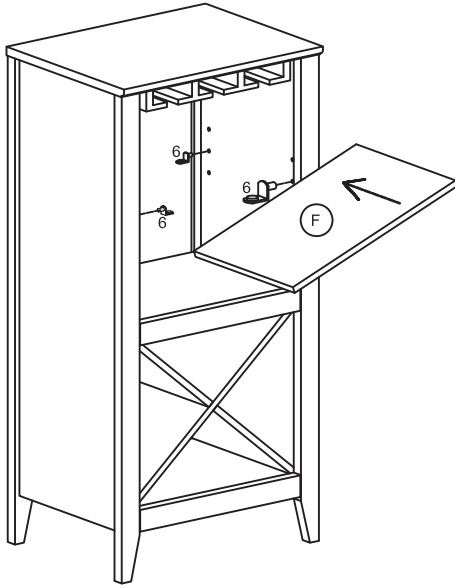
Assemble (Part #E) onto Assembly Unit by (2,3), as shown.

Step 8



Assemble (Part #I & J) onto (Part #E) by (4,5), as shown.

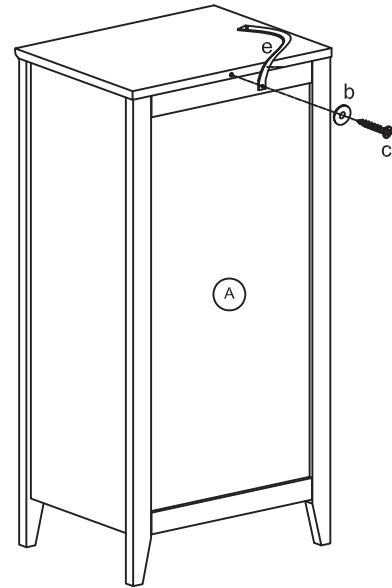
Step 9



Insert the (6) into Assembly Unit ,put the (Part #F) onto Assembly Unit, as shown.

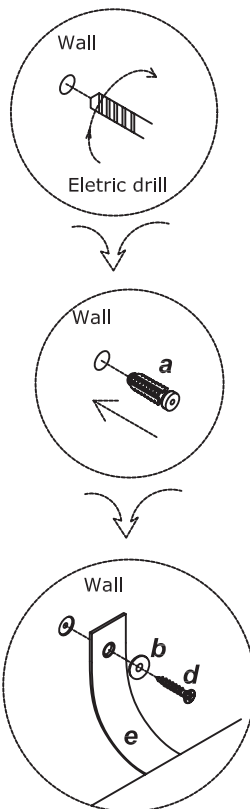
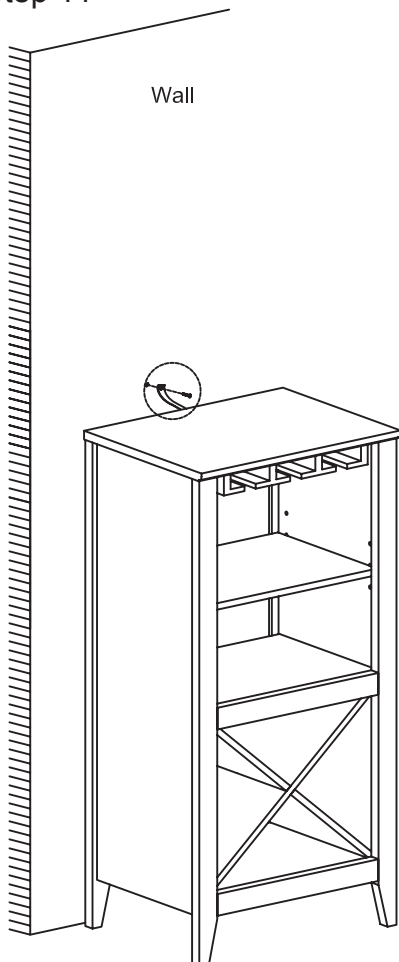
Step 10

7		a	b	c	d	e
SAFETY STRAP KIT						
1 PC		1 PC	2 PCS	1 PC	1 PC	1 PC



Assembly Fixing Strap(e) by Screw(c) with Washer (b) to cabinet; tighten using Screwdriver,as shown.

Step 11



Ensure the feet are leveled on floor.
 Use a 3/8 in. drill bit (not included) to drill 3/8 in. pilot holes on the wall.
 Insert Wall Anchor (a) into the holes until the flanges on the Wall Anchor (a) are flush against the wall.
 Assembly the Fixing Strap on the wall by Screw (d) with Washer (b), and tighten using Screwdriver.